

WITH
CUMULATIVE INDEX

Rudolf F. Graf
&
William Sheets

Encyclopedia of
**ELECTRONIC
CIRCUITS**

Volume 5

Encyclopedia of

ELECTRONIC CIRCUITS

Volume 5

Patent notice

Purchasers and other users of this book are advised that several projects described herein could be proprietary devices covered by letters patent owned or applied for. Their inclusion in this book does not, by implication or otherwise, grant any license under such patents or patent rights for commercial use. No one participating in the preparation or publication of this book assumes responsibility for any liability resulting from unlicensed use of information contained herein.



NAZIR MATNI ELECTRONICS

HALBOUNI, MOSALAMBAROUDI STR., DIAB BLDG. FL/1,P.O.BOX: 12071
DAMASCUS - SYRIA

TEL:+963-11-2221161

FAX:+963-11-2239468

E-Mail: nazir@matni.com

www.matni.com

Importers / Exporters / Distributors / Retailers / Mail orders :
All kinds Electronic Components , Parts , Devices ,

ELECTRONICS



مركز الموسوعة الإلكترونية - المهندس محمد نذير المتني

استيراد وتوزيع كافة أنواع القطع و التجهيزات الإلكترونية - نشر وتوزيع كتب الكترونية

نحن نستورد مباشرة أجود الأنواع من أفضل الشركات العالمية

دمشق - حلبوني - شارع مسلم البارودي - هاتف 2451161-2221161 فاكس 2239468

E.mail:nazir@matni.com

www.matni.com

Encyclopedia of
**ELECTRONIC
CIRCUITS**

Volume 5

Rudolf F. Graf
&
William Sheets

TAB Books

Division of McGraw-Hill, Inc.

New York San Francisco Washington, D.C. Auckland Bogotá
Caracas Lisbon London Madrid Mexico City Milan
Montreal New Delhi San Juan Singapore
Sydney Tokyo Toronto

© 1995 by **Rudolf F. Graf** and **William Sheets**.
Published by TAB Books, a division of McGraw-Hill, Inc.

Printed in the United States of America. All rights reserved. The publisher takes no responsibility for the use of any of the materials or methods described in this book, nor for the products thereof.

pbk 5 6 7 8 9 10 11 12 13 / 9 9 8 7 6 5

**Library of Congress Cataloging-in-Publication Data
(Revised for vol. 5)**

Graf, Rudolf F.
The encyclopedia of electronics circuits.

Authors for v. 5— : Rudolf F. Graf & William
Sheets.

Includes bibliographical references and indexes.

1. Electronic circuits—Encyclopedias. I. Sheets,
William. II. Title.

TK7867G66 1985 621.3815 84-26772

ISBN 0-8306-0938-5 (v. 1)

ISBN 0-8306-1938-0 (pbk. : v. 1)

ISBN 0-8306-3138-0 (pbk. : v. 2)

ISBN 0-8306-3138-0 (v. 2)

ISBN 0-8306-3348-0 (pbk. : v. 3)

ISBN 0-8306-7348-2 (v. 3)

ISBN 0-8306-3895-4 (pbk. : v. 4)

ISBN 0-8306-3896-2 (v. 4)

ISBN 0-07-011077-8 (pbk. : v. 5)

ISBN 0-07-011076-X (v. 5)

Acquisitions Editor: Roland S. Phelps

Editorial team: Andrew Yoder, Book Editor

Joanne Slike, Executive Editor

Production Team: Katherine G. Brown, Director

Jan Fisher, Coding

Lisa M. Mellott, Coding

Rose McFarland, Layout

Linda L. King, Proofreading

Nancy K. Mickley Proofreading

Joann Woy, Indexer

Design team: Jactyn J. Boone, Designer

Brian Allison, Associate Designer

Cover design: Stickles Associates, Bath, Pa.

EL1
0110778

Contents

Introduction	<i>xi</i>
1 Alarm and Security Circuits	<i>1</i>
2 Amplifier Circuits	<i>17</i>
3 Analog-to-Digital Converter Circuits	<i>27</i>
4 Antenna Circuits	<i>31</i>
5 Audio Power Amplifier Circuits	<i>39</i>
6 Audio Signal Amplifier Circuits	<i>52</i>
7 Automatic Level Control Circuits	<i>60</i>
8 Automotive Circuits	<i>63</i>
9 Battery Charger Circuits	<i>78</i>
10 Battery Test and Monitor Circuits	<i>82</i>
11 Buffer Circuits	<i>90</i>
12 Carrier-Current Circuits	<i>94</i>
13 Clock Circuit	<i>97</i>
14 Code Practice Circuits	<i>100</i>
15 Color Organ Circuit	<i>104</i>

16	Computer Circuits	106
17	Control Circuits	111
18	Converter Circuits	116
19	Counter Circuits	129
20	Crystal Oscillator and Test Circuits	134
21	Current Source Circuits	141
22	Current Limiter and Control Circuits	144
23	Delay Circuit	147
24	Detector, Demodulator, and Discriminator Circuits	149
25	Digital Circuits	156
26	Display Circuits	161
27	Doorbell Circuits	168
28	Fax Circuit	171
29	Field-Strength Meter Circuits	174
30	Filter Circuits	177
31	Flasher Circuits	192
32	Frequency Multiplier Circuit	198
33	Function and Signal Generator Circuits	200
34	Game Circuits	208
35	Gas Detector Circuits	212
36	Gate Circuit	215
37	Geiger Counter Circuits	217
38	Hall Effect Circuits	220
39	Infrared Circuits	223
40	Indicator Circuits	230
41	Instrumentation Amplifier Circuits	233
42	Integrator Circuit	236
43	Intercom Circuits	238
44	Interface Circuits	241
45	Inverter Circuits	245

46	Ion Generator Circuit	248
47	Laser Circuits	250
48	Lie Detector Circuit	255
49	Light-Beam Communication Circuits	257
50	Light-Control Circuits	262
51	Light-Controlled Circuits	272
52	Light Sources Circuits	280
53	Load-Sensing Circuits	284
54	Mathematical Circuits	286
55	Measuring and Test Circuits	289
56	Metal Detector Circuits	322
57	Miscellaneous Treasures	325
58	Mixer Circuits	359
59	Modulator Circuits	365
60	Monitor Circuits	368
61	Moisture & Fluid Detector Circuits	373
62	Motion Detector Circuits	376
63	Motor Control Circuits	378
64	Multiplexer Circuit	382
65	Multivibrator Circuits	384
66	Musical Circuits	389
67	Noise-Generator Circuit	394
68	Noise-Limiting Circuits	396
69	Operational Amplifier Circuits	399
70	Optical Circuits	404
71	Oscillator Circuits	410
72	Oscilloscope Circuits	422
73	Pest Control Circuits	427
74	Phase-Shifter Circuits	429
75	Photography Related Circuits	432

76	Piezo Circuits	439
77	Power Supply Circuits—High Voltage	442
78	Power Supply Circuits—Low Voltage	448
79	Probe Circuits	473
80	Protection Circuits	475
81	Proximity Circuits	484
82	Pulse-Generator Circuits	487
83	Receiver Circuits	493
84	Relay Circuits	504
85	Remote-Control Circuits	508
86	RF Amplifier Circuits	514
87	RF Oscillator Circuits	528
88	Sample-and-Hold Circuits	533
89	SCA Circuit	535
90	Shutdown Circuits	537
91	Sine-Wave Oscillator Circuits	539
92	Sound- and Voice-Controlled Circuits	545
93	Sound-Effects Circuits	556
94	Square-Wave Generator Circuits	568
95	Stepper Motor Circuits	571
96	Stereo Circuits	574
97	Switching Circuits	585
98	Synch Circuits	594
99	Tachometer Circuits	596
100	Telephone-Related Circuits	599
101	Temperature-Related Circuits	616
102	Timer Circuits	621
103	Tone Circuits	628
104	Tone-Control Circuits	630
105	Touch-Control Circuits	632

106	Transmitter Circuits	636
107	Ultrasonic Circuits	650
108	Video Circuits	654
109	Voltage-Controlled Oscillator Circuits	663
110	Voltage-Converter/Inverter Circuits	668
111	Voltage Multiplier Circuits	670
112	Window Comparator and Discriminator Circuits	673
	 Sources	 675
	Index	699

Introduction

The *Encyclopedia of Electronic Circuits, Volume V* adds approximately 1000 new circuits to the treasury of carefully chosen circuits that cover nearly every phase of today's electronic technology. These five volumes contain a wealth of new ideas and up-to-date circuits garnered from prestigious industry sources. Also included are some of the authors' original designs.

Each circuit is accompanied by a brief explanation of how it works, unless the circuit's operation is either obvious or too complex to describe in a few words. In the latter case, the reader should consult the original source listed in the back of the book. The index includes all entries from Volumes I to V. This provides instant access to about 5000 circuits, which make up the most extensive collection of carefully categorized modern circuits available anywhere.

Once again, the authors wish to extend their thanks to Ms. Loretta Gonsalves, whose virtuoso performance at the word processor contributed so much to the successful completion of the manuscript for this work. We look forward to the pleasure of working with her on Volume VI, which is now under development.

Rudolf F. Graf and William Sheets

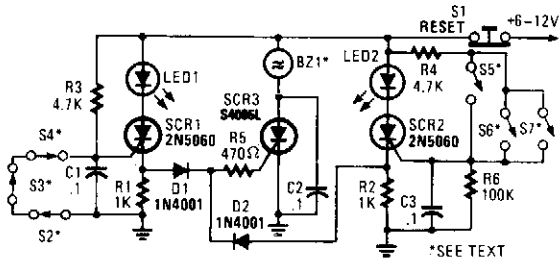
1

Alarm and Security Circuits

The sources of the following circuits are contained in the Sources section, which begins on page 675. The figure number in the box of each circuit correlates to the entry in the Sources section.

High-Power Alarm Driver	Exit Delay for Burglar Alarms
Multi-Loop Parallel Alarm	555-Based Alarm
Series/Parallel Loop Alarm	Light-Beam Alarm for Intrusion Detection
Parallel Loop Alarm	Light-Activated Alarm with Latch
Closed-Loop Alarm	Precision Light-Activated Alarm
Delayed Alarm	Dark-Activated Alarm with Pulsed Tone Output
Door Minder	Light-Beam Alarm Preamplifier
Strobe Alert System	Precision Light Alarm with Hysteresis
Warble Alarm	High-Output Pulsed-Tone/Light-Activated Alarm
Audio Alarm	Self-Latching Light Alarm with Tone Output
No-Doze Alarm	Alarm Sounder for Flex Switch
Heat- or Light-Activated Alarm	Burglar Chaser
Piezoelectric Alarm	Silent Alarm

HIGH-POWER ALARM DRIVER

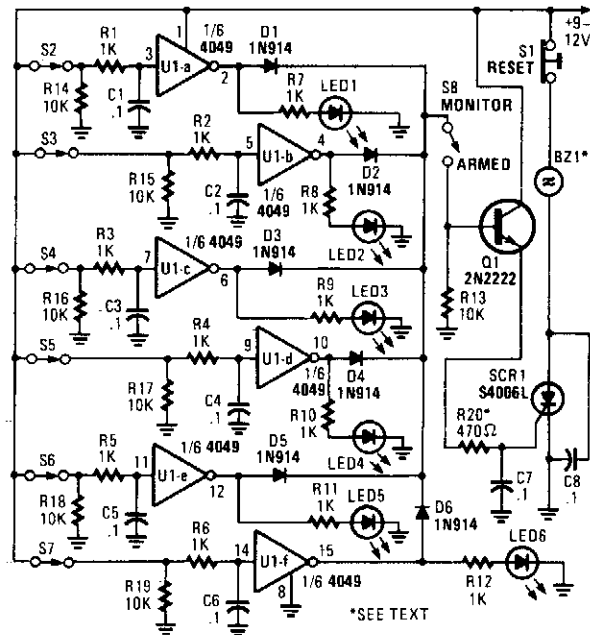


In this circuit, a low-powered SCR is used to trigger a higher powered SCR. When a switch is opening (S2, S3, S4) or closing (S5, S6, S7), either SCR1 or SCR2 triggers. This triggers SCR3 via D1, D2, and R5. BZ1 is a high-powered alarm of the noninterrupting type.

POPULAR ELECTRONICS

FIG. 1-1

MULTI-LOOP PARALLEL ALARM

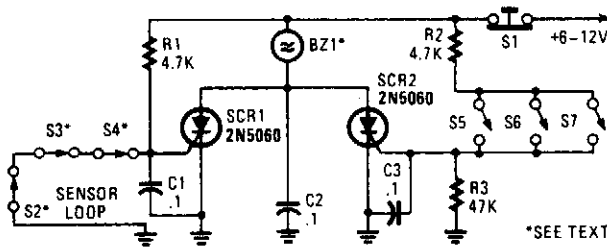


POPULAR ELECTRONICS

FIG. 1-2

This alarm has status LEDs connected across each inverter output to indicate the status of its associated sensor. S8 is used to monitor the switches via the LEDs, or to trigger an alarm via Q1 and SCR1. BZ1 should be a suitable alarm of the noninterrupting type.

SERIES/PARALLEL LOOP ALARM

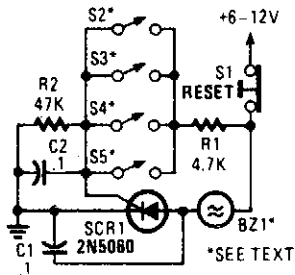


POPULAR ELECTRONICS

FIG. 1-3

Two SCRs are used with two sensor loops. One loop uses series switches, the other loop parallel switches. When a switch actuation occurs, the SCR triggers. The alarm should be a noninterrupting type.

PARALLEL LOOP ALARM

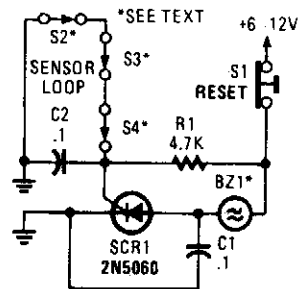


POPULAR ELECTRONICS

FIG. 1-4

Four parallel switches are used to monitor four positions. When a closure occurs on any switch, SCR1 triggers, which sounds the alarm. The alarm should be of the noninterrupting type.

CLOSED-LOOP ALARM

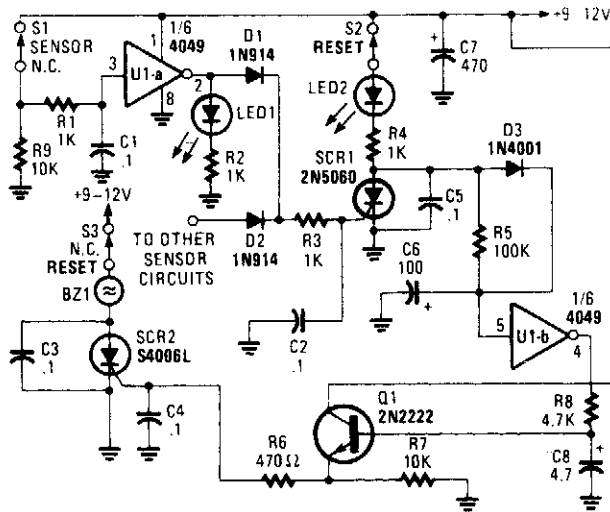


POPULAR ELECTRONICS

FIG. 1-5

A string of three series-connected, normally closed switches are connected across the gate of an SCR. When one opens, the SCR triggers via R1, sounding an alarm. The alarm should be of the noninterrupting type.

DELAYED ALARM



POPULAR ELECTRONICS

FIG. 1-6

The alarm/sensor circuit shown is built around two SCRs, a transistor, a 4049 hex inverter, and a few support components, all of which combine to form a closed-loop detection circuit with a delay feature. The delay feature allows you to enter a protected area and deactivate the circuit before the sounder goes off.

Assuming that the protected area has not been breached (i.e., S1 is in its normally-closed position), when power is first applied to the circuit, a positive voltage is applied to the input of U1-a through S1 and R1, causing its output to go low. That low is applied to the gate of SCR1, causing it to remain off. At the same time, C6 rapidly charges toward the +V supply rail through S2, LED2, R4, and D3. The charge on C6 pulls pin 5 of U1-b high, causing its output at pin 4 to be low. That low is applied to the base of Q1, keeping it off. Because no trigger voltage is applied to the gate of SCR2 (via Q1), the SCR remains off and BZ1 does not sound.

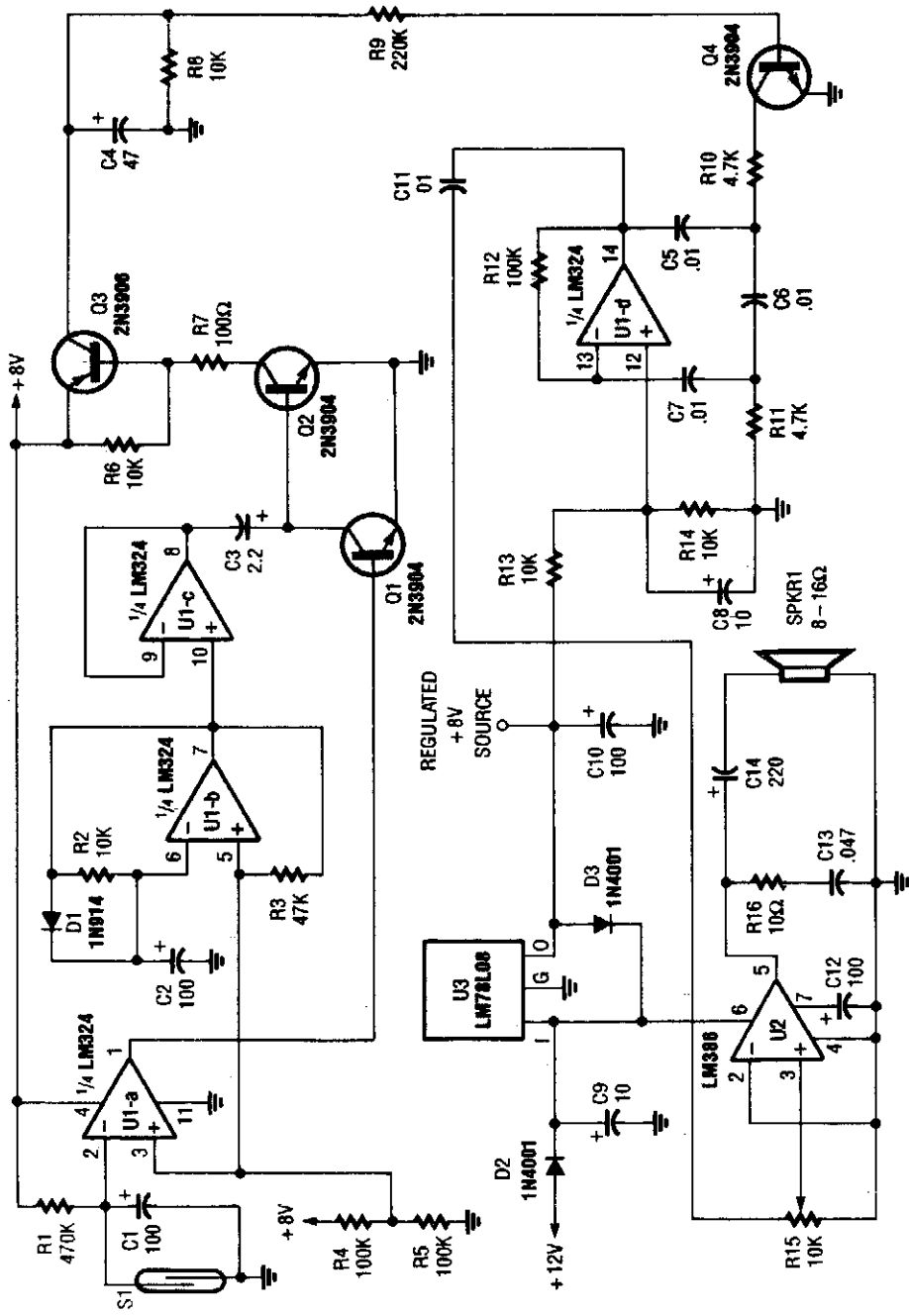
But should S1 open, the input of U1-a is pulled low via R9, forcing the output of U1-a high, lighting LED1. That high is also applied to the gate of SCR1 through D1 and R3, causing SCR1 to turn on. With SCR1 conducting, the charge on C6 decays, the input of U1-b at pin 5 is pulled low, forcing its output high, slowing charging C8 through R8 to a voltage slightly less than the positive supply rail.

Transistor Q1 remains off until C8 has charged to a level sufficient to bias Q1 on, allowing sufficient time to enter the protected area and disable the alarm before it sounds. Once C8 has developed a sufficient charge, Q1 turns on and supplies gate current to SCR2 through R6, causing the SCR to turn on and activate BZ1. If the circuit is reset before the delay has timed out, no alarm will sound.

The delay time can be lengthened by increasing the value of either or both C6 and R5; decreasing the value of either or both of those components will shorten the delay time.

All of the switches used in the circuit are of the normally-closed (NC) variety. Switch S1 can be any type of NC security switch. Switch S2 can be either a pushbutton or toggle switch. Because S3 is used to disable the sounder (BZ1) only, anything from a key-operated security switch to a hidden toggle switch can be used.

DOOR MINDER

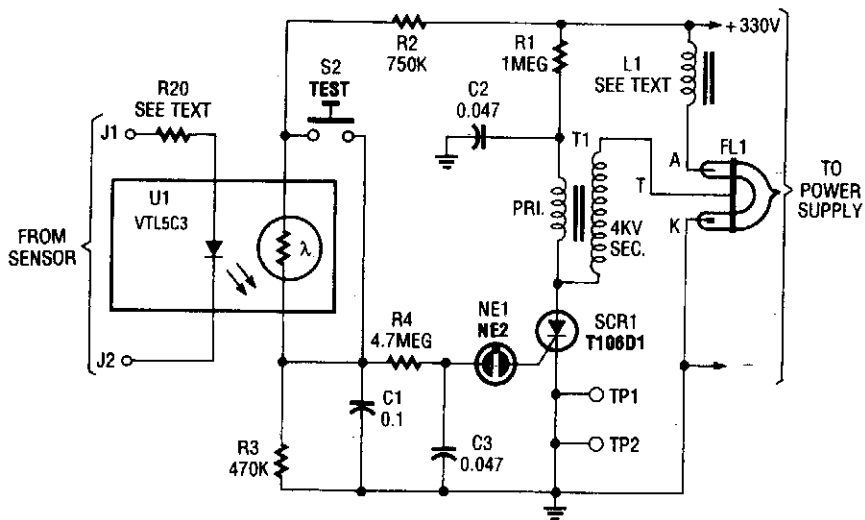


POPULAR ELECTRONICS

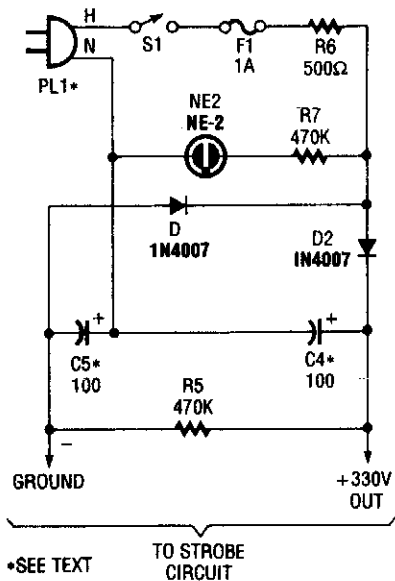
FIG. 1-7

This circuit monitors a door to determine if it has been left open. After 24 seconds, the alarm sounds, the alarm sounds. S1 is a magnetic sensor. The alarm is an electronic chime sound that is struck once per second.

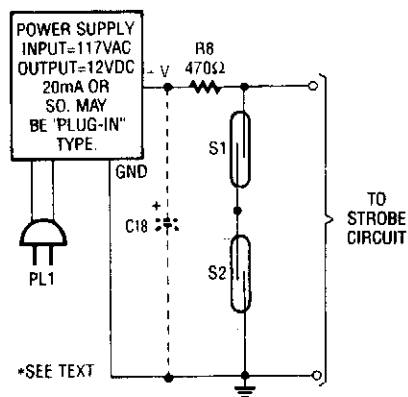
STROBE ALERT SYSTEM



A



B



C

The circuit is activated by an LED/photoresistor isolator (U1), which is a combination of a light-dependent resistor (LDR) and an LED in a single package. That device was chosen because of its high isolation (2000 V) characteristic, which is necessary because the strobe part of the circuit is directly connected to the ac line.

STROBE ALERT SYSTEM (Cont.)

The voltage divider is formed by R2, U1's internal resistance, and R3. When U1's internal LED is off, U1's internal LDR has a very high resistance—on the order of 10 M Ω . The voltage applied to NE1 is considerably below its ignition voltage of approximately 90 Vdc.

The optoisolator's internal LED is activated by a dc signal supplying 20 mA. The external sensor(s) that supply the signal are connected to the strobe part of the circuit at J1 and J2.

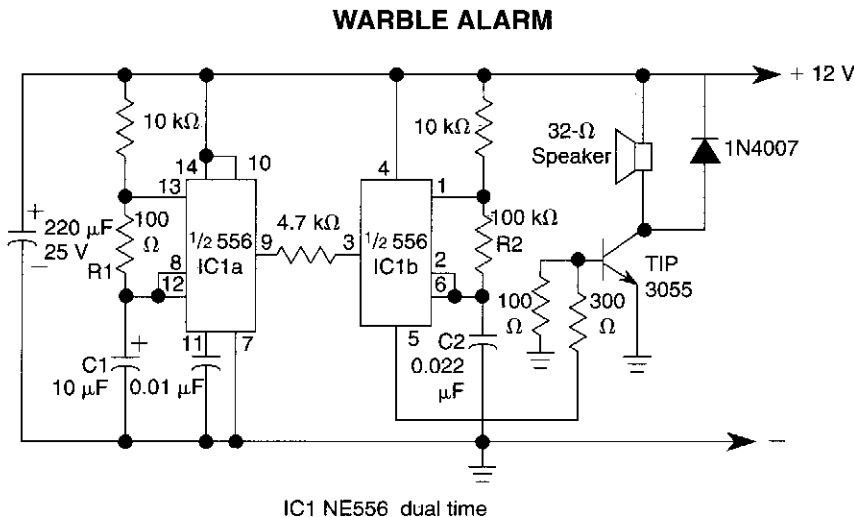
When the internal LED lights, the LDR's resistance decreases to around 5 k Ω . Under that condition, about 125 Vdc is applied across C1, R4, and C2. The neon lamp periodically fires and extinguishes as capacitor C3 charges through R4, and discharges via NE1 and the SCR gate.

Resistor R4 restricts the current input to C3, and thereby controls the firing rate of NE1—about three times per second. The discharge through NE1 is applied to the gate of SCR1.

SCR1, a sensitive-gate unit, snaps on immediately when NE1 conducts, which completes the ground circuit for transformer T1 (a 4-kV trigger transformer). As SCR1 toggles on and off in time with the firing of NE1, capacitor C2 (connected in parallel with T1's primary) charges via R1, and then discharges very rapidly through T1's primary winding. A voltage pulse is applied to the trigger input of FL1, a Xenon flash lamp.

It is important to remember that the circuit is connected directly to the ac line. Resistor R6 is included to limit the amount of line current available to the circuit. The value of R6 can be decreased if you intend to modify the circuit for more flash power.

Warning: Even though the circuit is fuse-protected, it can still be dangerous if handled carelessly.

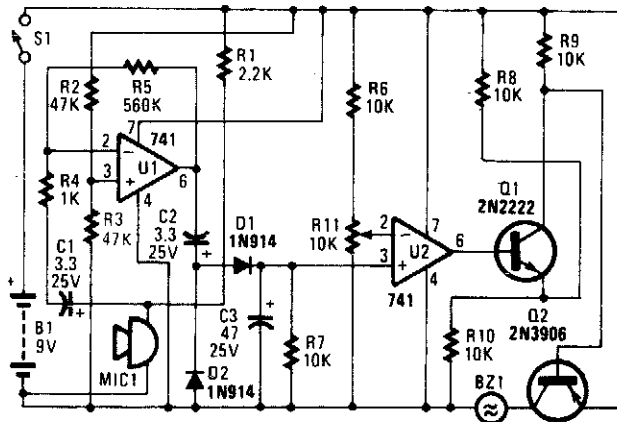


WILLIAM SHEETS

FIG. 1-9

This circuit uses a 556 to first generate a low frequency square wave, that is modulated to produce two alternate tones of about 400 and 500 Hz. Circuit generates warble alarm of European emergency vehicles. The frequencies of the oscillators are determined by the values of R1, C1 and R2, C2.

AUDIO ALARM



POPULAR ELECTRONICS

FIG. 1-10

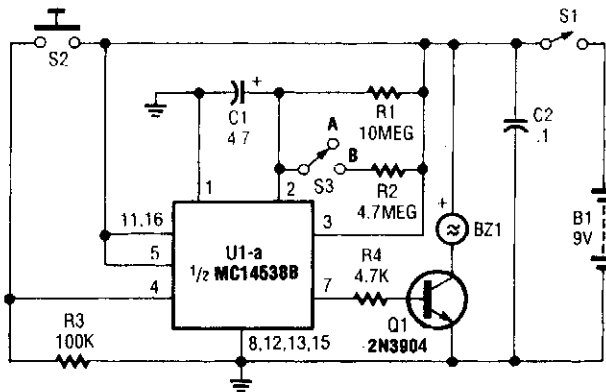
In the circuit, U1 amplifies the audio picked up by the condenser microphone. Resistor R1 limits its current, while R2 and R3 center the output of the amplifier to $\frac{1}{2}B+$ to allow a single-ended supply to be used. Diodes D1 and D2 rectify the output of U1, and C3 filters the resulting pulsing dc. Thus, a dc voltage that is proportional to the ambient sound level is produced.

That voltage is presented to the noninverting input of U2. The inverting input is provided with a reference voltage of between 0 and $\frac{1}{2}B+$, which is set by R11.

As long as the noise level is low enough to keep the voltage at pin 3 lower than the voltage at pin 2, the output of U2 stays low (approximately 1 V). That is enough to bias Q1 partially on. A voltage divider, formed by R8/R10 and Q1 (when it's partially on), prevents Q2 from turning on.

When the noise level is high enough to bring the voltage at pin 3 higher than the voltage at pin 2, the output of U2 goes high. That turns Q1 fully on and drives Q2 into saturation. The piezo buzzer then sounds until the power is cut off.

NO-DOZE ALARM

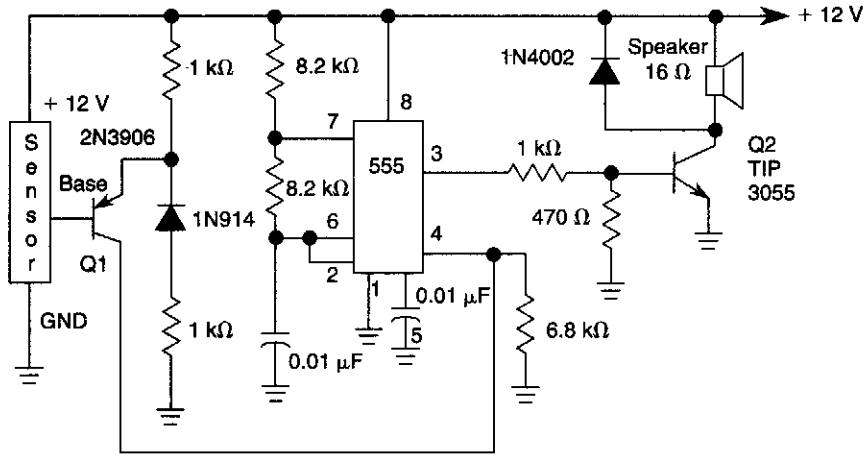


This circuit sends out a loud tone if the input switch (S2) is not retriggered at pre-set intervals. If you fall asleep and miss re-triggering the circuit, it will sound until you press S2.

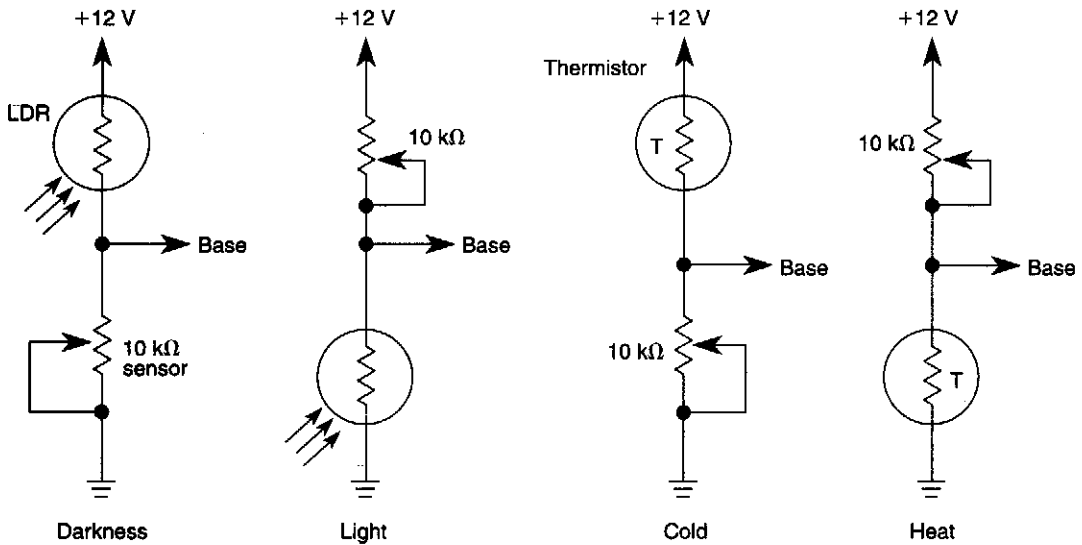
POPULAR ELECTRONICS

FIG. 1-11

HEAT- OR LIGHT-ACTIVATED ALARM



SENSOR CIRCUITS

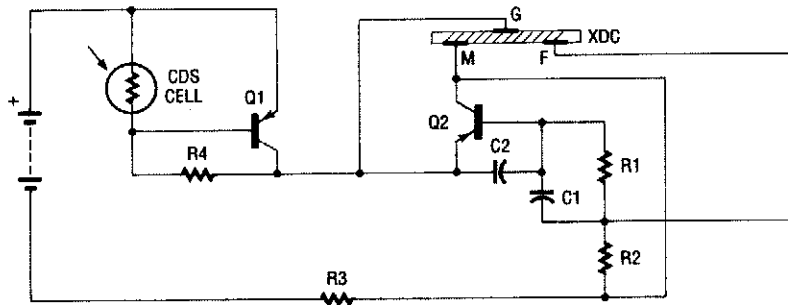


WILLIAM SHEETS

FIG. 1-12

The tone generated by a 555 oscillator can be turned on (activated) by heat or light. That causes Q1 to conduct transistor W2 (TIP 3055). Q2 (TIP 3055) acts as an audio amplifier and speaker driver.

PIEZOELECTRIC ALARM



- C1,C2..... .047 Disc Capacitor
- Q1,Q2..... 2N3906 Transistor
- R1..... 6.8K Resistor
- R2..... 33K Resistor
- R3..... 200 ohm Resistor
- R4..... 75K Resistor
- XDC..... Piezoelectric transducer

1991 PE HOBBYIST HANDBOOK

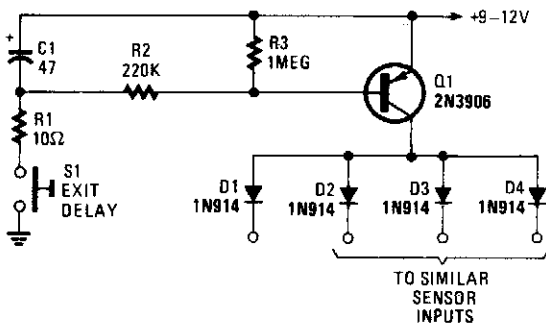
FIG. 1-13

The alarm uses a fixed-frequency piezoelectric buzzer in conjunction with the cadmium-sulfide (CDS) cell and the two-transistor circuit to provide a unique effect. Whenever light reaches the CDS photo-electric cell, the alarm is silent. But when no light strikes the cell, transistor Q1 turns on, and the circuit emits a high-pitched tone.

The alarm consists of a piezoelectric disk that oscillates at the fixed frequency of 3.137 kHz, created by transistor Q2, capacitor C1 and C2, and resistors R1 through R3. Transistor Q1 is used as a switch. It is forward-biased "on" by R4; however, the CDS cell turns Q1 "off" when the light is striking it.

A CDS photo cell is made from cadmium sulfide, a semiconductor material that changes resistance when the light strikes it. The greater the amount of light, the lower the resistance. The low resistance conducts positive voltage to the base of pnp transistor Q1, keeping it turned "off" when the light shines on the CDS cell. As soon as the light is removed, the CDS cell provides a resistance of over 100 kΩ. That causes Q1 to turn "on," allowing a positive voltage to reach the emitter lead of Q2, which then begins to oscillate. That then causes the piezoelectric element (transducer) to produce a loud signal.

EXIT DELAY FOR BURGLAR ALARMS

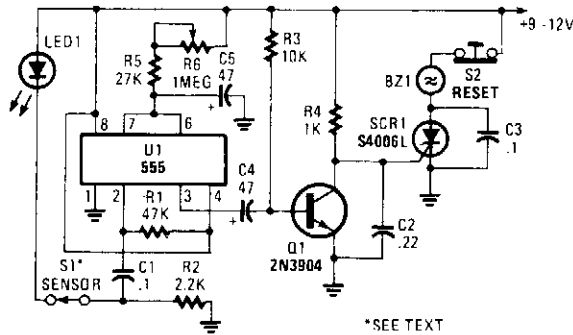


Depressing S1 charges C1 to the supply voltage. This biases Q1 on via bias resistors R2 and R3. A voltage is available for the duration of the delay period, to hold off the alarm circuit. C1 can be increased or decreased in value to alter the delay times.

POPULAR ELECTRONICS

FIG. 1-14

555-BASED ALARM



*SEE TEXT

POPULAR ELECTRONICS

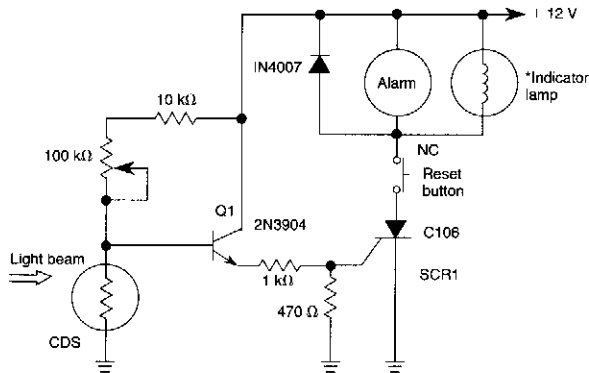
FIG. 1-15

The alarm circuit has a single 555 oscillator/timer (U1) performing double duty; serving both in the alarm-trigger circuit and the entry-delay circuit. In this application, the trigger input of U1 at pin 2 is held high via R1. A normally-closed sensor switch, S1, supplies a positive voltage to the junction of R2 and C1, and lights LED1. With both ends of C1 tied high, there is no charge on C1. But when S1 opens, C1 (initially acting as a short) momentarily pulls pin 2 of U1 low, triggering the timed delay circle.

At the beginning of the timing cycle, U1 produces a positive voltage at pin 3, which charges C4 to near the positive voltage at pin 3, which charges C4 to near the positive supply voltage. Transistor Q1 is heavily biased on by R3, keeping its collector at near ground level. With Q1 on, SCR's gate is clamped to ground, holding it off. When the delay circuit times out, pin 3 of U1 goes low and ties the positive end of C4 to ground. That turns Q1 off.

When Q1 turns off, the voltage at the gate of SCR goes positive, turning on the SCR and sounding the alarm. The delay time is adjustable from just a few seconds (R6 set to its minimum resistance) to about one minute (R6 adjusted to its maximum resistance).

LIGHT-BEAM ALARM FOR INTRUSION DETECTION



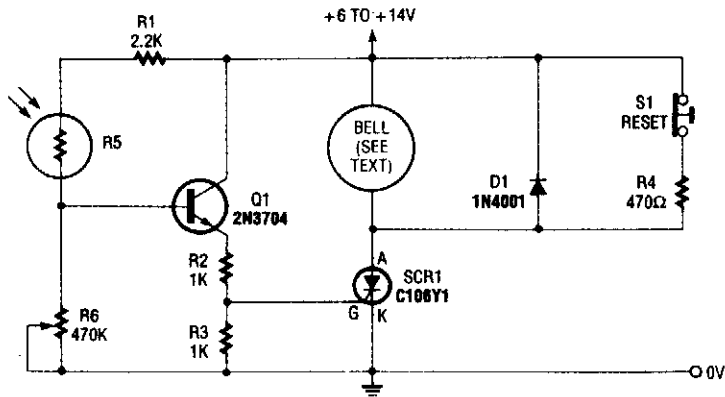
* Lamp should draw at least 100 mA to sensure SCR1 remaining on during alarm cycle

When the light beam that falls in the CDS photocell is interrupted, transistor (EN3904) conducts thereby triggering SCR1 (C106) and activating alarm bell. S1 resets the SCR. The alarm bell should be a self-interrupting electro-mechanical type.

WILLIAM SHEETS

FIG. 1-16

LIGHT-ACTIVATED ALARM WITH LATCH

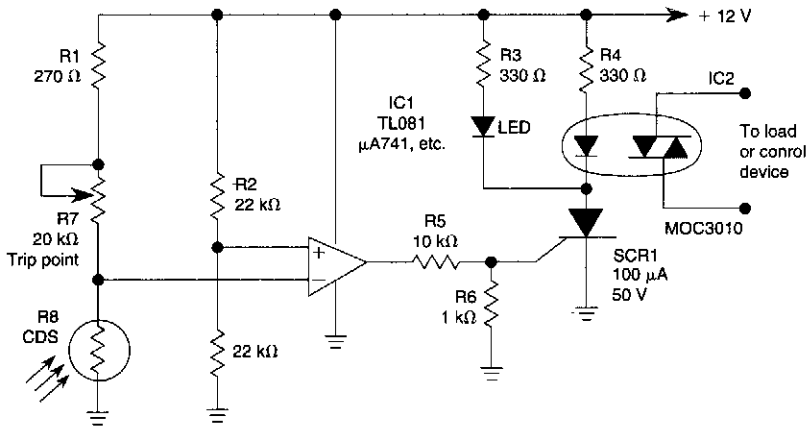


ELECTRONICS NOW

FIG. 1-17

In this circuit, light causes R5 to conduct forward-biasing Q1. R6 sets sensitivity. SCR1 is triggered from the emitter voltage on Q1, sounding the alarm bell. When S1 is depressed, SCR1 unlatches. Be sure that a self-interrupting alarm (electromechanical buzzer or bell) is used.

PRECISION LIGHT-ACTIVATED ALARM

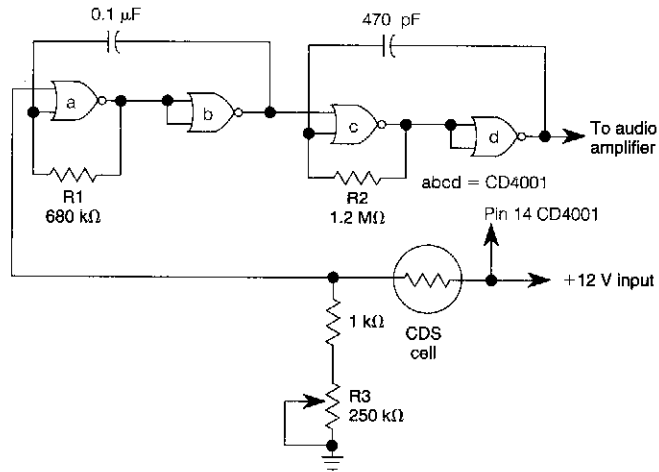


WILLIAM SHEETS

FIG. 1-18

The light-sensitive CDS cell R8 configured in a bridge circuit with IC1 as a comparator causes IC1's output to go high when light strikes the CDS cell R8, triggering SCR1. This lights LED1 and turns on opto isolator IC2, which switches the load.

DARK-ACTIVATED ALARM WITH PULSED TONE OUTPUT

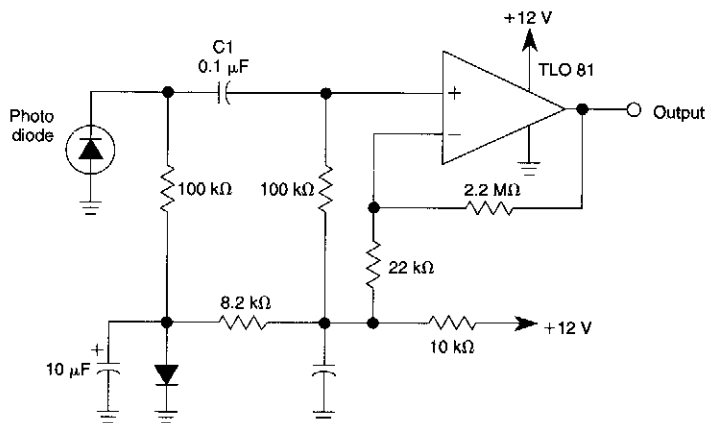


WILLIAM SHEETS

FIG. 1-19

NOR gates a and b form a low-frequency oscillator that is activated when the CDS cell, under dark conditions, causes NOR gate a to see a logic zero at one input. This low-frequency (10 Hz) gates a high-frequency oscillator (c and d) to oscillate at around 1000 Hz. R1 can be varied to change the pulse rate and R2 to change the tone. R3 sets the trigger point.

LIGHT-BEAM ALARM PREAMPLIFIER

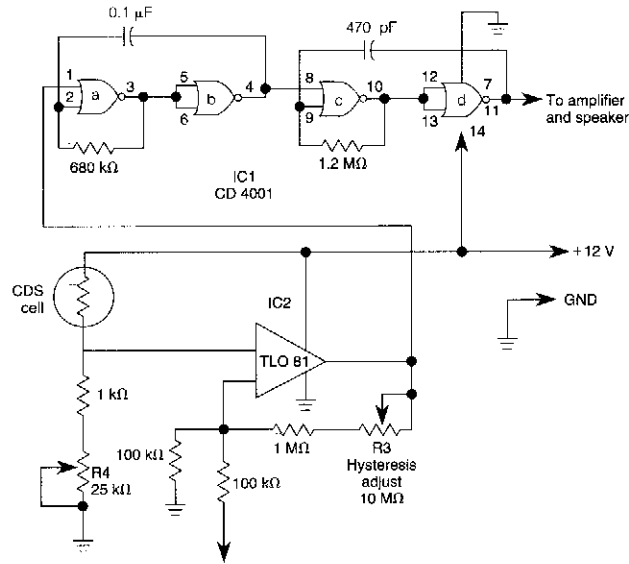


WILLIAM SHEETS

FIG. 1-20

This circuit can be used for light beams to 20 kHz. The gain of the operational amplifier is set for a 40-dB gain.

PRECISION LIGHT ALARM WITH HYSTERESIS

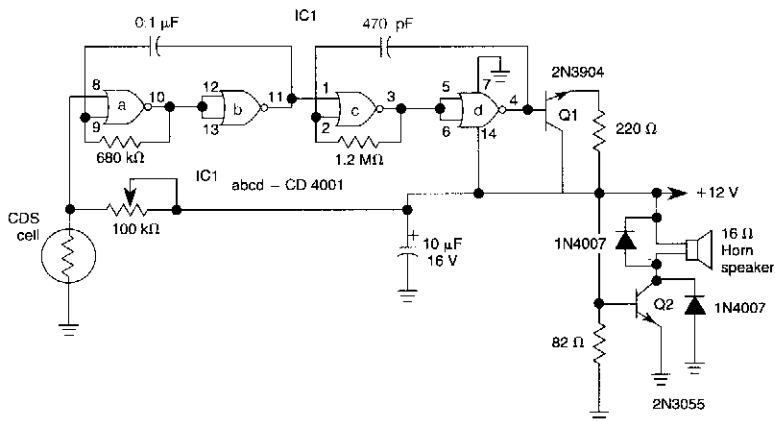


WILLIAM SHEETS

FIG. 1-21

The TL081 is used as a comparator in a Wheatstone bridge circuit. When the CDS cell resistance decreases due to exposure to light, the output from IC2 cause the low-frequency oscillator (a) and (b) to generate a 10-Hz square wave, gating the 1000 Hz oscillator (c) and (d) on and off. This signal drives an amplifier. R3 controls hysteresis, which reduces on-off triggering near the threshold set by R4.

HIGH-OUTPUT PULSED-TONE/LIGHT-ACTIVATED ALARM

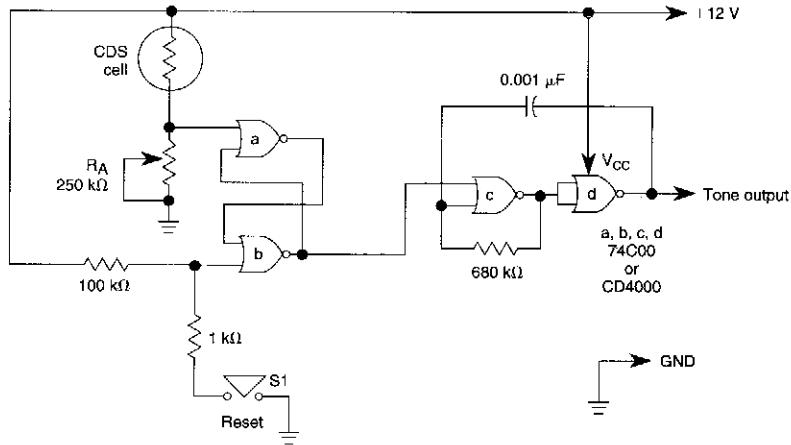


WILLIAM SHEETS

FIG. 1-22

This circuit can produce up to 1 W of audio power to drive a speaker or horn. When the CDS cell is struck by light, its resistance decreases thus activating NOR gate (a) thereby causing (a) and (b) to produce a low-frequency (10-Hz) square wave. This pulses the 1-kHz oscillator (c) and (d), causing it to generate a pulsed 1-kHz tone at a 10-Hz rate. Q1 and Q2 amplify this signal. Q2 (2N3055) drives the speaker.

SELF-LATCHING LIGHT ALARM WITH TONE OUTPUT

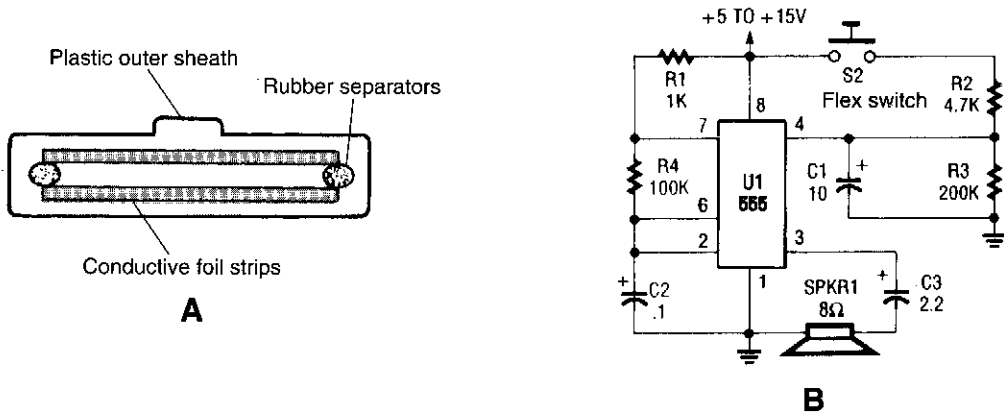


WILLIAM SHEETS

FIG. 1-23

A decrease in the resistance of the CDS cell when light strikes it activates latch a and b, enabling tone oscillator c and d which produces an output of about 1000 Hz. R_A sets the trip level. S1 resets the circuit.

ALARM SOUNDER FOR FLEX SWITCH

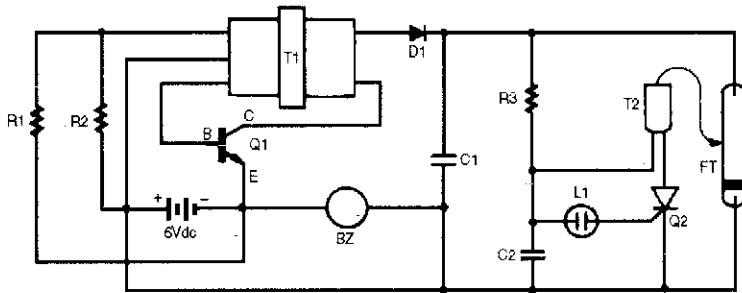


POPULAR ELECTRONICS

FIG. 1-24

This is a cross-sectional diagram of a flex switch. They can be used as pushbutton or even position sensors. This schematic diagram shows an oscillator, which is used as an alarm sounder, triggered by a flex switch.

BURGLAR CHASER



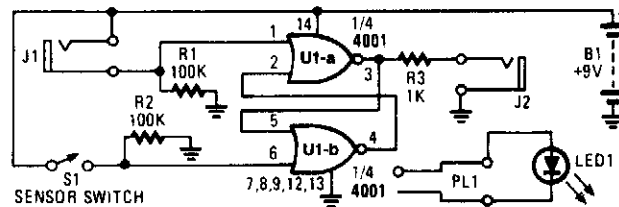
BZ.....	Metal Horn Buzzer
C1.....	.5 μ F 250 volts Capacitor
C2.....	.022 μ F Green Cap (223 K5K)
D1.....	1N4007 Diode
FT.....	Micro Strobe Tube/Reflector
L1.....	Neon Lamp
Q1.....	C1740 SW Transistor
Q2.....	106 SCR
R1.....	200 ohm Resistor
R2.....	820 ohm Resistor
R3.....	10 meg Resistor
T1.....	Inverter Transformer
T2.....	4 kV Trigger Coll

1991 PE HOBBYIST HANDBOOK

FIG. 1-25

The burglar chaser makes a great accessory for any alarm system. It creates brilliant flashes of white light and a loud, irritating sound from a metal horn buzzer. Transformer T1 is connected to Q1, R1, and R2 to form a blocking oscillator. This creates a 6-Vac signal on the primary of T1. Because of T1's large ratio of turns from primary to secondary, the 6-Vac signal is stepped up to a level of over 200 Vac, which is then rectified by D1. The resultant dc voltage is applied to storage capacitor C1 and the neon relaxation oscillator made up of R3, C2, and L1. Each time C2 charges up to a sufficient level, it ionizes L1, which causes SCR Q2 to fire. The firing SCR causes the charge on C2 to be applied to the trigger coil. The trigger coil converts the 200 V into the 4000-V pulse that is needed to fire micro xenon strobe tube/reflector FT. The cycle repeats itself after the strobe tube flashes.

SILENT ALARM



POPULAR ELECTRONICS

FIG. 1-26

A sensor switch triggers a set-reset flip flop and lights an LED.

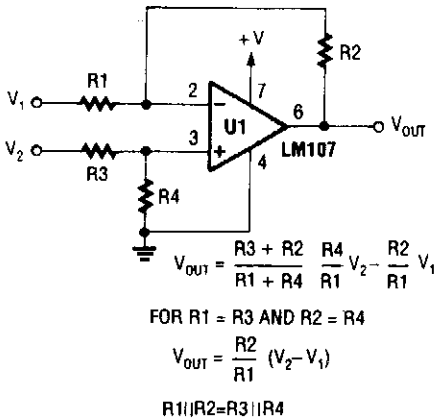
2

Amplifier Circuits

The sources of the following circuits are contained in the Sources section, which begins on page 675. The figure number in the box of each circuit correlates to the entry in the Sources section.

Difference Amplifier	Electret Mike Preamp
Fast-Inverting Amplifier with High Input Impedance	Difference Amplifier
Noninverting ac Amplifier	General-Purpose JFET Preamp
Inverting Summing Amplifier	FET Amplifier with Offset Gate Bias
Noninverting ac Amplifier	Push-Pull Darlington Amplifier
Fast High-Impedance Input-Inverting Amplifier	Noninverted Unity-Gain Amplifier
Nonlinear Operational Amplifier with Temperature-Compensated Breakpoint	500 M Ω Input Impedance with JFET Amp
MOSFET High-Impedance Biasing Method	Discrete Current-Booster Amplifier
Inverting Summing Amplifier	Frequency Counter Preamp
Bootstrapped Source Follower	Audio to UHF Preamp
30 M Ω JFET Source Follower	V- & I-Protected Intrinsically Safe Op Amp
JFET Source Follower	Current Feedback Amp Delivers 100 mA @ 100 MHz
Unity-Gain Noninverting Amplifier	General-Purpose Preamplifier
JFET Amp with Current Source Biasing	Test Bench Amplifier

DIFFERENCE AMPLIFIER

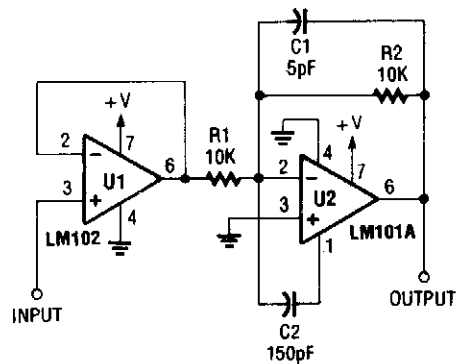


POPULAR ELECTRONICS

FIG. 2-1

By using two inputs as shown, a difference amplifier yielding the differential between U1 and U2, times a gain factor results.

FAST-INVERTING AMPLIFIER WITH HIGH INPUT IMPEDANCE

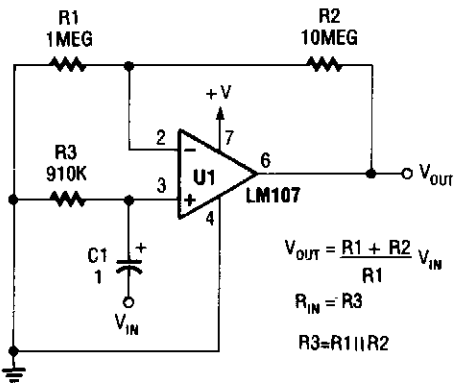


POPULAR ELECTRONICS

FIG. 2-2

U1 is used as a voltage follower to feed inverter U2. Because U1 is in the voltage-follower configuration, it exhibits a high input impedance.

NONINVERTING ac AMPLIFIER

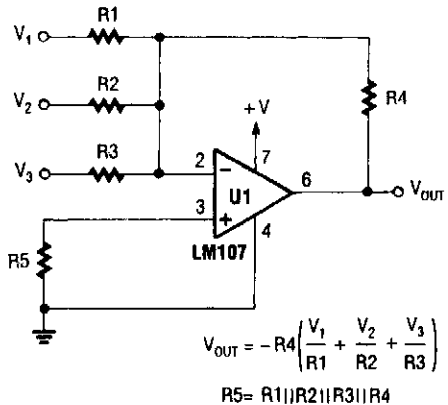


POPULAR ELECTRONICS

FIG. 2-3

A general-purpose noninverting ac amplifier for audio or other low-frequency applications is shown. Design equations are in the figure. Almost any general-purpose op amp can be used for U1.

INVERTING SUMMING AMPLIFIER

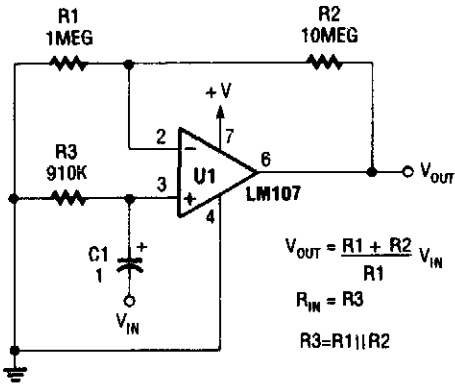


POPULAR ELECTRONICS

FIG. 2-4

The output of U1 is the sum of V_1 , V_2 , and V_3 , multiplied by R_1/R_4 , R_2/R_4 , and respectively. R_1 , R_2 , R_3 are selected as required for individual gains. R_4 affects gain of all these inputs.

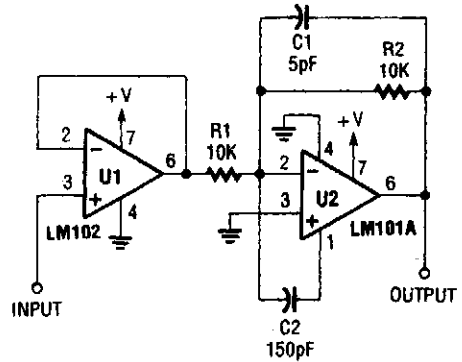
NONINVERTING ac AMPLIFIER



POPULAR ELECTRONICS

FIG. 2-5

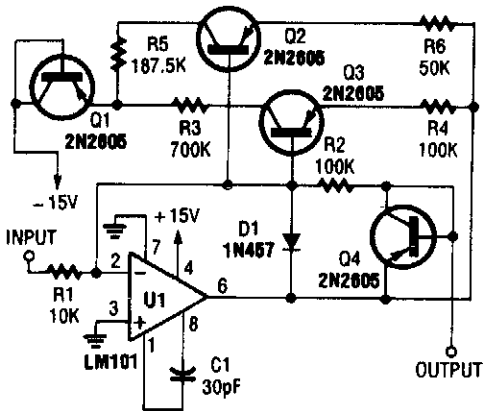
FAST HIGH-IMPEDANCE INPUT-INVERTING AMPLIFIER



POPULAR ELECTRONICS

FIG. 2-6

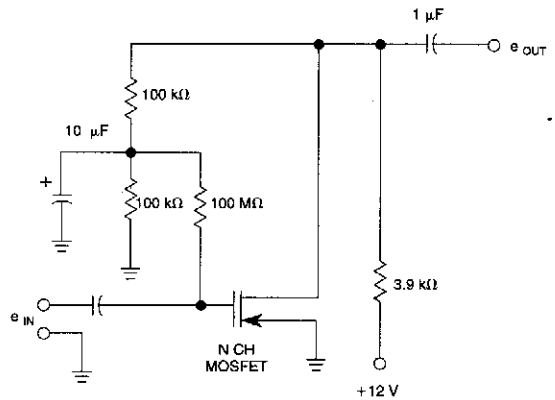
NONLINEAR OPERATIONAL AMPLIFIER WITH TEMPERATURE COMPENSATED-BREAKPOINT



POPULAR ELECTRONICS

FIG. 2-7

MOSFET HIGH-IMPEDANCE BIASING METHOD

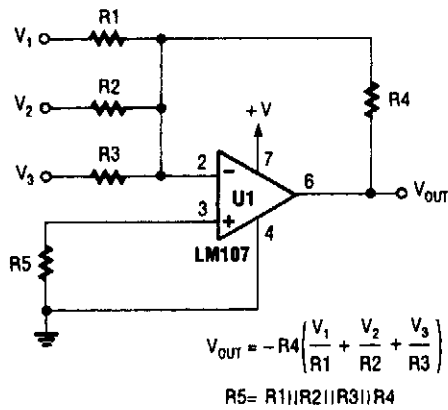


WILLIAM SHEETS

FIG. 2-8

High-impedance biasing method for an N-channel MOSFET to form a linear-inverting amplifier.

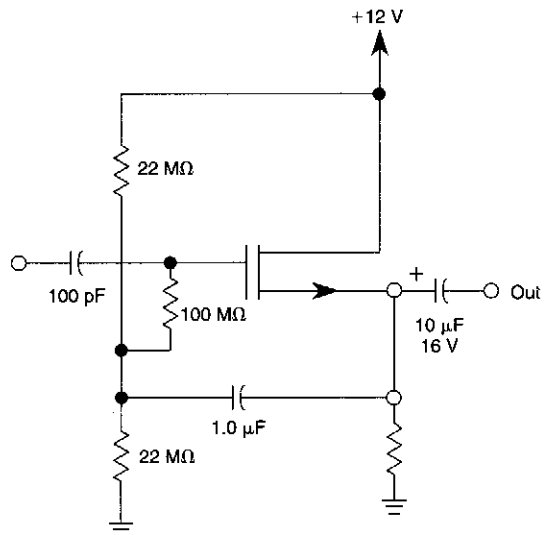
INVERTING SUMMING AMPLIFIER



POPULAR ELECTRONICS

FIG. 2-9

BOOTSTRAPPED SOURCE FOLLOWER

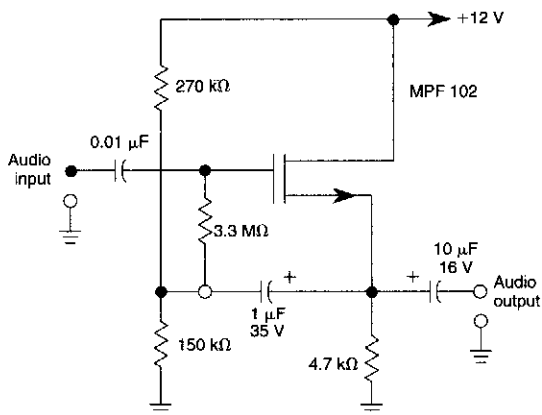


WILLIAM SHEETS

FIG. 2-10

This bootstrapped source follower uses an N-channel MOSFET. It has a high input impedance.

30-MΩ JFET SOURCE FOLLOWER

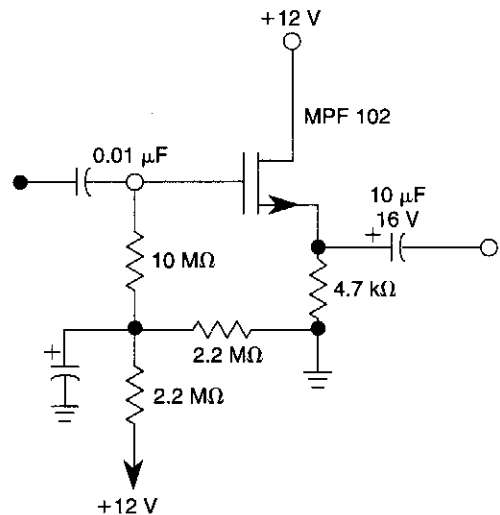


WILLIAM SHEETS

FIG. 2-11

This JFET source-follower uses an MPF102 with offset biasing. It has an input impedance of >30 MΩ.

JFET SOURCE FOLLOWER

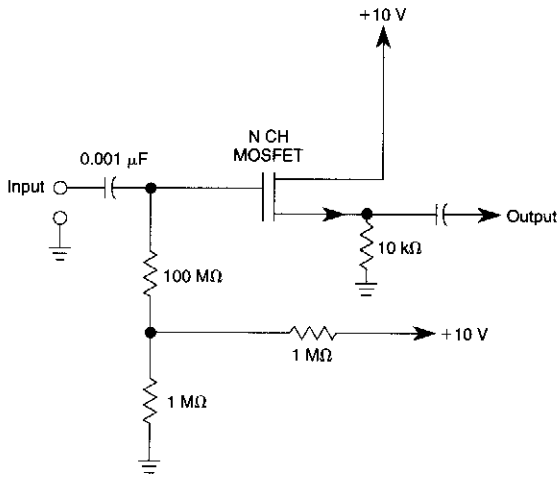


WILLIAM SHEETS

FIG. 2-12

The circuit uses positive gate bias to improve the operating point for better dynamic range.

UNITY-GAIN NONINVERTING AMPLIFIER

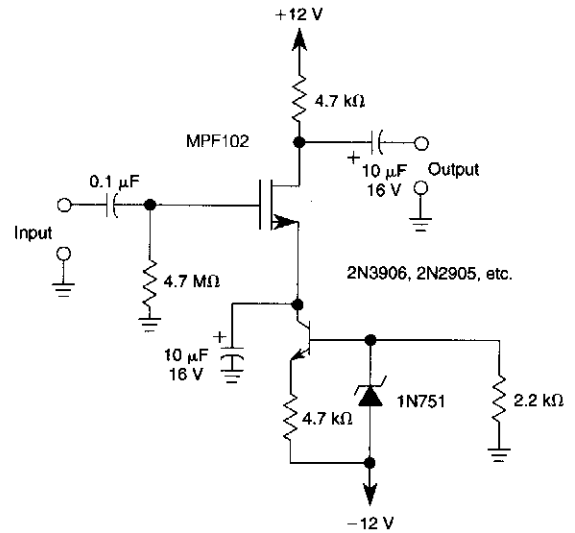


WILLIAM SHEETS

FIG. 2-13

Biasing methods for an N-channel MOSFET to form a unity-gain noninverting amplifier or source-follower.

JFET AMP WITH CURRENT SOURCE BIASING

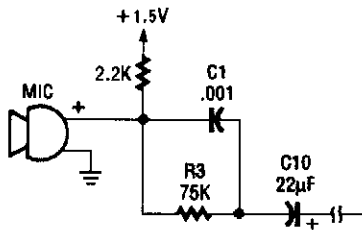


WILLIAM SHEETS

FIG. 2-14

A current source (MPF102) in the source lead of bipolar transistor 2N3906 permits accurate control of drain current.

ELECTRET MIKE PREAMP

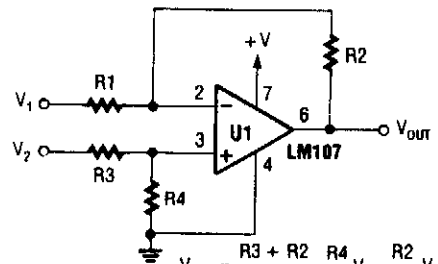


ELECTRONICS NOW

FIG. 2-15

This circuit is suitable for using an electret microphone for many applications. A 1.5-V battery is used. C1 and R3 provide treble boost/bass cut; they can be eliminated, if desired.

DIFFERENCE AMPLIFIER



$$V_{OUT} = \frac{R3 + R2}{R1 + R4} \frac{R4}{R1} V_2 - \frac{R2}{R1} V_1$$

FOR $R1 = R3$ AND $R2 = R4$

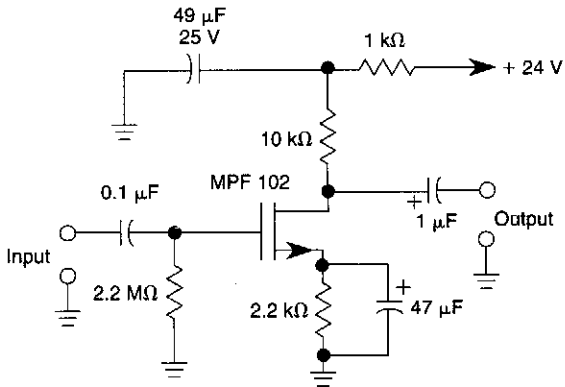
$$V_{OUT} = \frac{R2}{R1} (V_2 - V_1)$$

$$R1 || R2 = R3 || R4$$

POPULAR ELECTRONICS

FIG. 2-16

GENERAL-PURPOSE JFET PREAMP

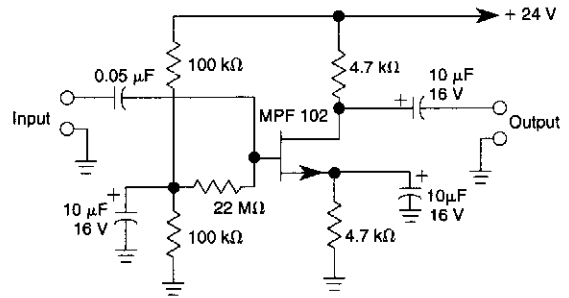


WILLIAM SHEETS

FIG. 2-17

This JFET preamplifier has a gain of about 20 dB and a bandwidth of over 100 kHz. It is useful as a low-level audio amplifier for high-impedance sources.

FET AMPLIFIER WITH OFFSET GATE BIAS

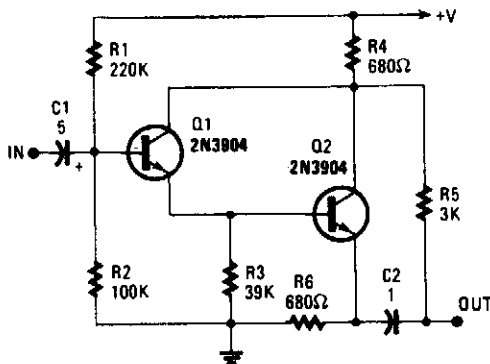


WILLIAM SHEETS

FIG. 2-18

In this amplifier circuit, the gate of the MPF102 is biased with an external voltage. This circuit achieves tighter control of the operating point and biasing conditions.

PUSH-PULL DARLINGTON AMPLIFIER

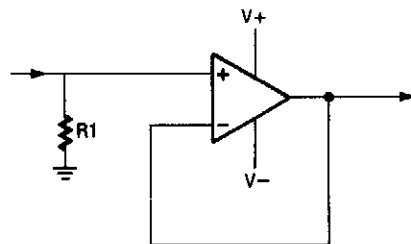


POPULAR ELECTRONICS

FIG. 2-19

This circuit has a high-Z input and push-pull output via the output taken across R4 and R6.

NONINVERTED UNITY-GAIN AMPLIFIER

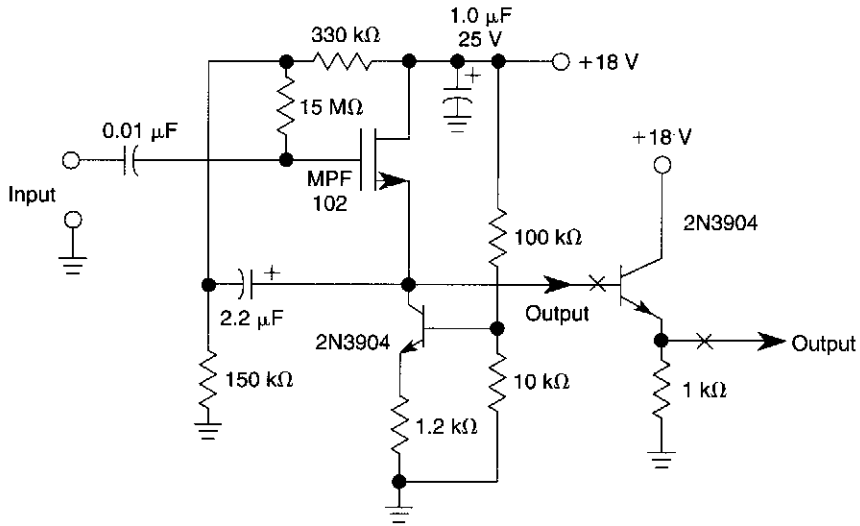


WILLIAM SHEETS

FIG. 2-20

An op amp can be used as a unity gain amplifier by connecting its output to its inverting input as shown. R1 should be low enough so the bias current of the op amp does not cause an appreciable offset.

500-M Ω INPUT IMPEDANCE WITH JFET AMP

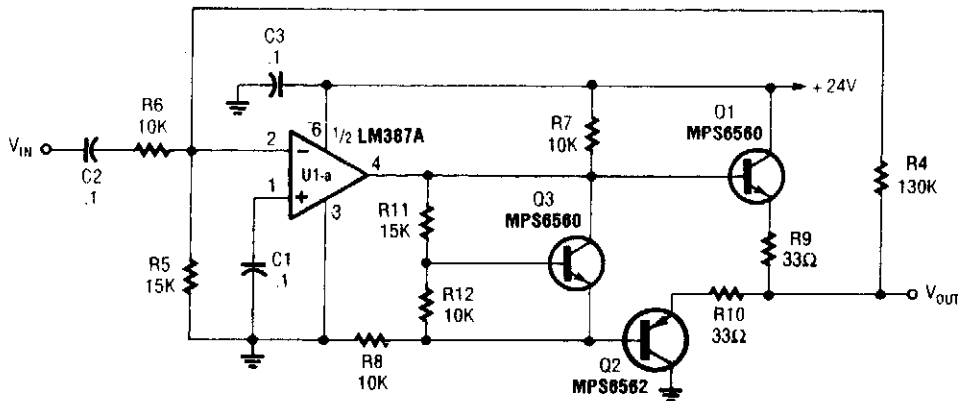


WILLIAM SHEETS

FIG. 2-21

A current source using a 2N3904 transistor plus bootstrapping, achieves an input impedance of 500 M Ω . A second 2N3904 transistor can be added at X to lower the output impedance.

DISCRETE CURRENT-BOOSTER AMPLIFIER

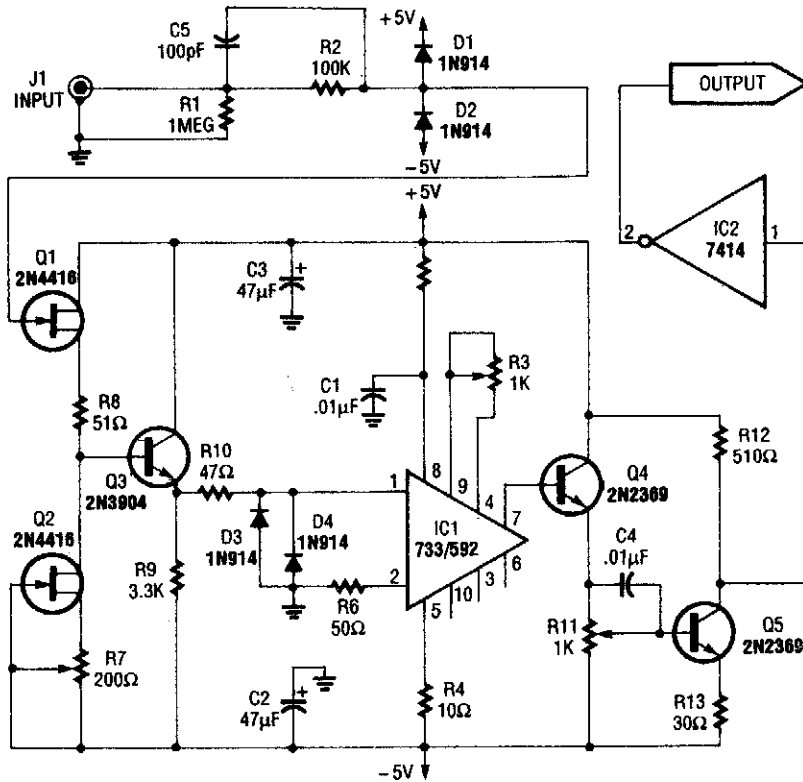


POPULAR ELECTRONICS

FIG. 2-22

Suitable as a line driver, this circuit is useable in many similar audio applications.

FREQUENCY COUNTER PREAMP

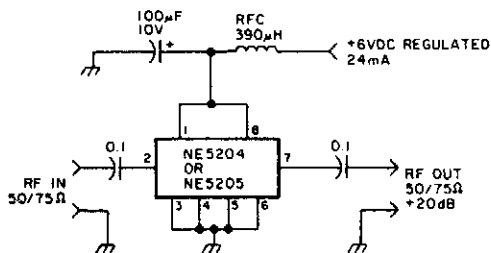


RADIO-ELECTRONICS

FIG. 2-23

Based on the LM733 or NE592, the preamp shown has a bandwidth of 100 MHz. The FET inputs provide about 1-M Ω input impedance. Q4, Q5, and IC2 provide signal conditioning.

AUDIO TO UHF PREAMP

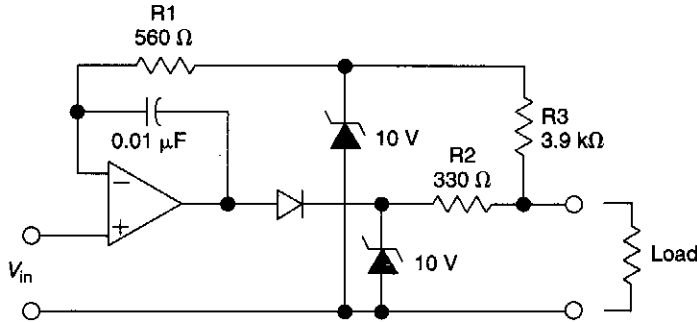


The Signetics NE5204 or NE5205 can be used in this AF to 350-MHz (-30 dB) preamp. If 600 MHz @ 3 dB is needed, use the NE5205. The noise figure is 4.8 dB at 75 Ω , 6 dB at 50 Ω . Gain is approximately +20 dB over the passband.

73 AMATEUR RADIO TODAY

FIG. 2-24

V- & I-PROTECTED INTRINSICALLY SAFE OP AMP



WILLIAM SHEETS

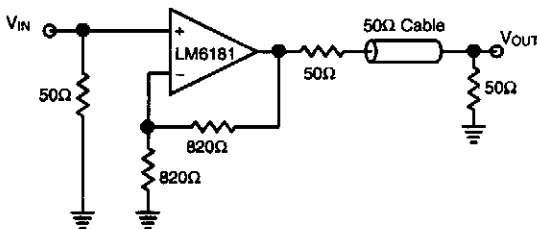
FIG. 2-25

The circuit is designed to drive an external load. A fault condition in the external load circuit could feed excessive current or voltage back into the line drive circuit. If excessive voltage appears from the load, the two zener diodes will clamp that voltage to a safe level, which in this case is 10 V.

The current in the zener diodes, op amp, and the remainder of the circuitry is limited to a safe level by resistors $R1$, $R2$, and $R3$. $D1$ protects the op-amp output stage from 10 V appearing across the clamp diodes under a fault condition.

The advantage of this circuit is that, although it's designed as unity gain buffer, the same techniques can be applied to inverting, noninverting, or differential gain stages.

CURRENT FEEDBACK AMP DELIVERS 100 mA @ 100 MHz

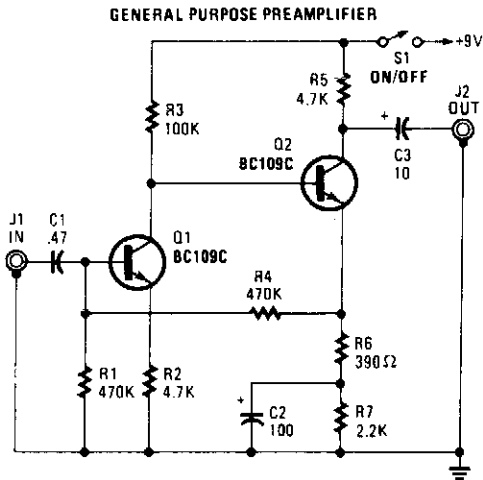


Using a NS LM6181, this IC is useful in cable drivers. The supply voltage is ± 5 V to ± 15 V.

NATIONAL SEMICONDUCTOR

FIG. 2-26

GENERAL-PURPOSE PREAMPLIFIER

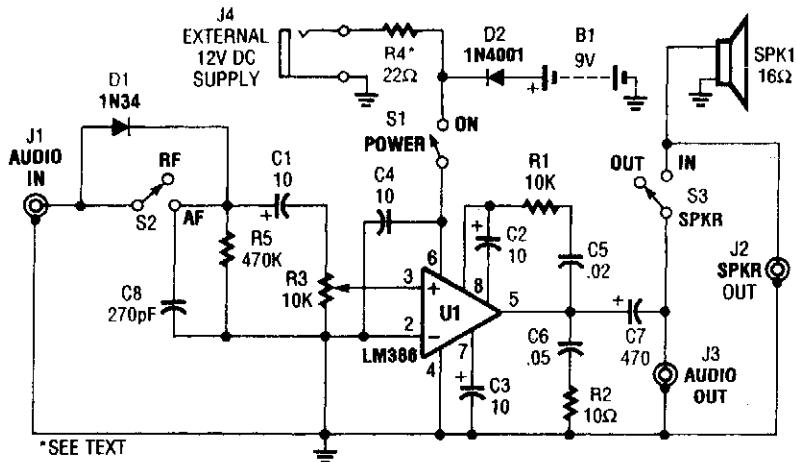


Suitable for general audio use, the preamp circuit uses a feedback pair. Current gain is set by the ratio of $(R_4 + R_6)/R_4$.

POPULAR ELECTRONICS

FIG. 2-27

TEST BENCH AMPLIFIER



POPULAR ELECTRONICS

FIG. 2-28

This amplifier might be useful in servicing or bench testing as a signal tracer or as a building block in various systems.

3

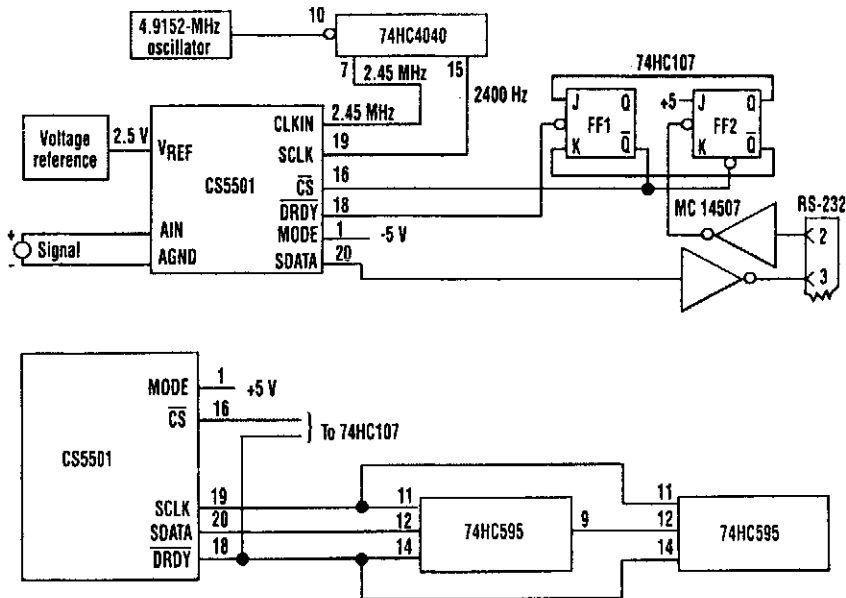
Analog-to-Digital Converter Circuits

The sources of the following circuits are contained in the Sources section, which begins on page 675. The figure number in the box of each circuit correlates to the entry in the Sources section.

ADC Poller

8-Channel A/D Converter for PC Clones

ADC POLLER



ELECTRONIC DESIGN

FIG. 3-1

Because the CS5501 16-bit-delta-sigma analog-to-digital converter lacks a “start convert” command, it converts continuously, outputting conversion words to its output register every 1024 cycles of its master clock. However, by incorporating a standard dual J-K flip-flop into the circuit, the ADC can be configured to output a single-conversion word only when it is polled.

The CS5501 converter can be operated in its asynchronous communication mode (UART) to transmit one 16-bit conversion word when it is polled over an RS-232 serial line (see figure). A null character (all zeros) is transmitted to the circuit and sets the flip-flop FF2. The CS5501 can then output a single-conversion word, which is transmitted over the RS-232 line as two bytes with start and stop bits.

The baud rate can be chosen by selecting the appropriate clock divider rate on the 74HC4040 counter/divider as the serial port clock (SLCK) for the ADC. This type of polled-mode operation is also useful when the ADC’s output register is configured to operate in the synchronous-serial clock (SSC) mode. In this case, the converter will load one output word into a 16-bit serial-to-parallel register (two 74HC595 8-bit registers) when polled to do so (see figure).

8-CHANNEL A/D CONVERTER FOR PC CLONES

The following program causes the A-D converter to perform eight sequential conversions and display the result. It's written in Turbo BASIC/Power BASIC source code, but it will run under the GW-BASIC interpreter if you replace the delay statements with FOR/NEXT loops, and add line numbers as shown in the second listing. These programs are available on the 73 BBS under the filenames ADC-Turbo.BAS and ADCGW.BAS.

```
INITIALIZE: 'remarks follow the apostrophe
screen 0
color 14,0
cls
clear
toggle%=-2
oddsign%=-0

MINORLOOP:
while not instat
out 888,1
delay 888,0
delay 888,0
delay 054
for ch%=0 to 7
out 888,8
out 888,0
out 888,2
out 890,0
for slow%=-0 to 1:next slow%
out 890,1
out 888,2
out 890,0
for slow%=-0 to 1:next slow%
out 890,1
out 888,oddsign%
swap oddsign%,toggle%
out 890,0
for slow%=-0 to 1:next slow%
out 890,1
out 888,select1%
for slow%=-0 to 1:next slow%
out 890,1
out 888,select0%
for slow%=-0 to 1:next slow%
out 890,1
out 880,1
READBITS:
for bit%=7 to 0 step -1
out 890,0
for slow%=-0 to 1:next slow%
ad%=-inp(889)
if ad%<120 then byte%=-byte%+(2^bit%)
next bit%
if ch%=0 then select0%=-0: select0%=-byte%51
if ch%=1 then select1%=-0: select0%=-2: ch2volts=byte%51
if ch%=2 then select2%=-0: select1%=-2: ch3volts=byte%51
if ch%=3 then select3%=-0: select2%=-2: ch4volts=byte%51
if ch%=4 then select4%=-0: select3%=-2: ch5volts=byte%51
if ch%=5 then select5%=-0: select4%=-2: ch6volts=byte%51
if ch%=6 then select6%=-0: select5%=-2: ch7volts=byte%51
if ch%=7 then select7%=-0: select6%=-2: ch8volts=byte%51
next ch%
byte%=-0
print using "##.#";ch8volts,ch7volts,ch6volts,ch5volts,ch4volts,ch3volts,ch2volts,ch1volts,byte%
wend
```

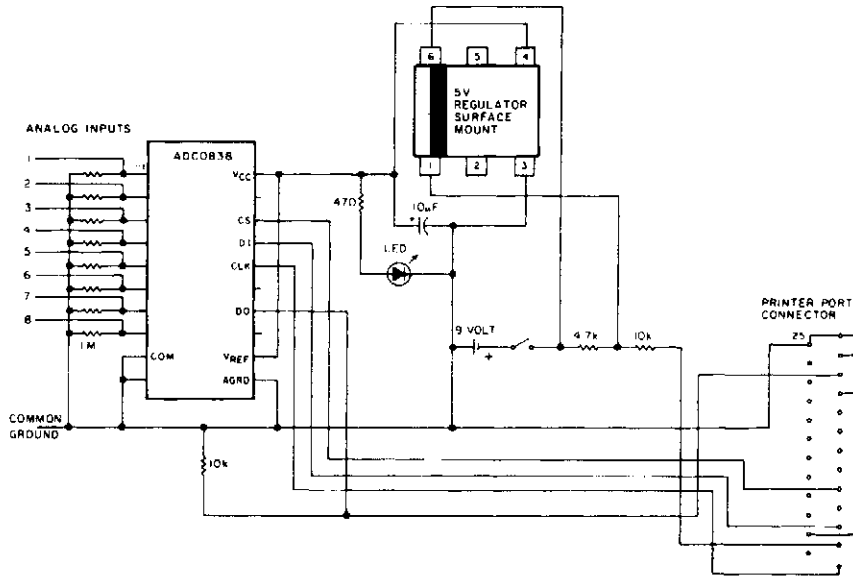
73 AMATEUR RADIO TODAY

GW-BASIC Version

```
10 ' The following program causes the A-D converter to perform eight
20 ' sequential conversions and display the result.
30 SCREEN 0
40 COLOR 14,0
50 CLS
60 CLEAR
70 TOSGLEW%=-2
80 ODDSIGN%=-0
90 IF INKEY$>"*" THEN END
100 OUT 888,1
110 OUT 888,0
120 FOR W%=-0 TO 500:NEXT W%
130 FOR CH%=-0 TO 7
140 OUT 888,8
150 OUT 888,0
160 OUT 888,2
170 OUT 890,0
180 FOR SLOW%=-0 TO 1:NEXT SLOW%
190 OUT 890,1
200 OUT 888,2
210 OUT 890,0
220 FOR SLOW%=-0 TO 1:NEXT SLOW%
230 OUT 890,1
240 OUT 888,ODDSIGN%
250 SWAP ODDSIGN%,TOGGLE%
260 OUT 890,0
270 FOR SLOW%=-0 TO 1:NEXT SLOW%
280 OUT 890,1
290 OUT 888,SELECT1%
300 OUT 890,0
310 FOR SLOW%=-0 TO 1:NEXT SLOW%
320 OUT 890,1
330 OUT 888,SELECT0%
340 OUT 890,0
350 FOR SLOW%=-0 TO 1:NEXT SLOW%
360 OUT 890,1
370 REM
380 FOR BIT%=7 TO 0 STEP -1
390 OUT 890,0
400 FOR SLOW%=-0 TO 1:NEXT SLOW%
410 OUT 890,1
420 AD%=-INP(889)
430 IF AD%<120 THEN BYTE%=-BYTE%+(2^BIT%)
440 NEXT BIT%
450 IF CH%=-0 THEN SELECT1%=-0: SELECT0%=-0: CH0VOLTS=BYTE%51
460 IF CH%=-1 THEN SELECT1%=-0: SELECT0%=-2: CH1VOLTS=BYTE%51
470 IF CH%=-2 THEN SELECT1%=-0: SELECT0%=-2: CH2VOLTS=BYTE%51
480 IF CH%=-3 THEN SELECT1%=-2: SELECT0%=-0: CH3VOLTS=BYTE%51
490 IF CH%=-4 THEN SELECT1%=-2: SELECT0%=-0: CH4VOLTS=BYTE%51
500 IF CH%=-5 THEN SELECT1%=-2: SELECT0%=-0: CH5VOLTS=BYTE%51
510 IF CH%=-6 THEN SELECT1%=-2: SELECT0%=-2: CH6VOLTS=BYTE%51
520 IF CH%=-7 THEN SELECT1%=-2: SELECT0%=-2: CH7VOLTS=BYTE%51
530 BYTE%=-0
540 next ch%
550 PRINT USING"##.#";CH8VOLTS,CH7VOLTS,CH6VOLTS,CH5VOLTS,CH4VOLTS,CH3VOLTS,CH2VOLTS,CH1VOLTS,CH0VOLTS
```

FIG. 3-2

8-CHANNEL A/D CONVERTER FOR PC CLONES (*Cont.*)



An A/D converter by National Semiconductor (ADC0838), converts 0- to 5-V analog inputs to a digital data format. A 9-V battery is used. The converter connects to the printer port connector via a 25-pin connector.

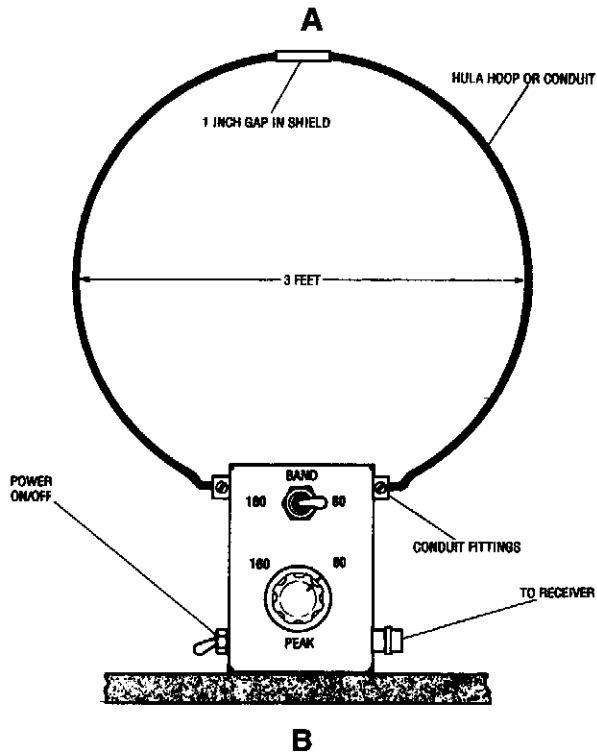
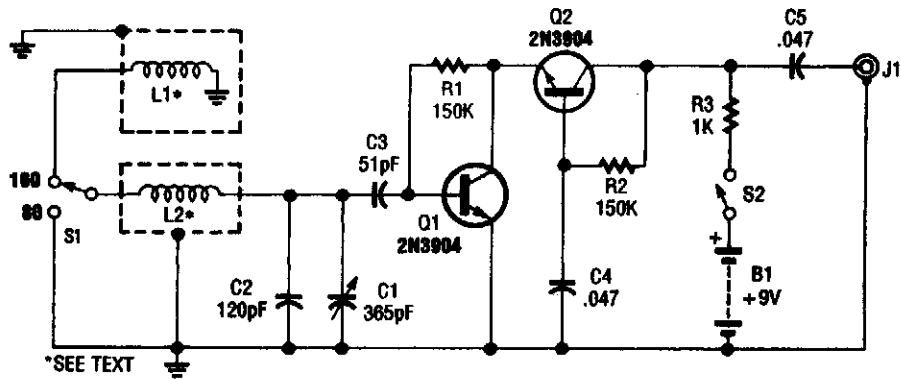
4

Antenna Circuits

The sources of the following circuits are contained in the Sources section, which begins on page 675. The figure number in the box of each circuit correlates to the entry in the Sources section.

Dual-Band Loop Antenna For 80 & 160 m
VLF-VHF Wideband Low-Noise Active Antenna
VLF 60-kHz Antenna/Preamp
Simple Balun
Wideband Antenna Preamplifier
HF Broadband Antenna Preamp
Automatic TR Switch
Low-Power Antenna Tuner
Loop Antenna Preamplifier

DUAL-BAND LOOP ANTENNA FOR 80 & 160 m

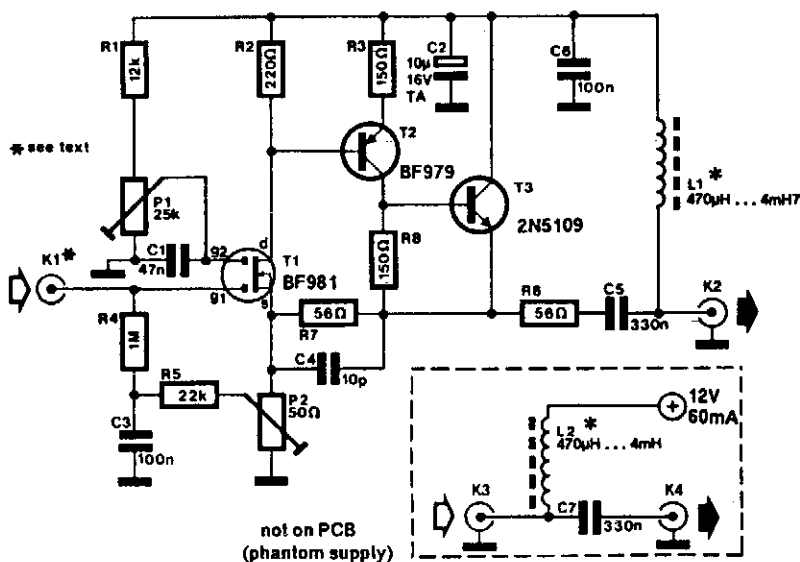


POPULAR ELECTRONICS

FIG. 4-1

This antenna might help to reduce power-line noise. A plastic "hula hoop" or conduit 3 feet in diameter, covered with aluminum foil as a shield is used for L1 and L2. L1 is two turns and L2 is one turn, threaded through the loop. S1 selects 160- or 80-m operation. Q1 and Q2 form a preamplifier for the loop antenna. Do not transmit with this antenna—it is for receiving only.

VLF/VHF WIDEBAND LOW-NOISE ACTIVE ANTENNA

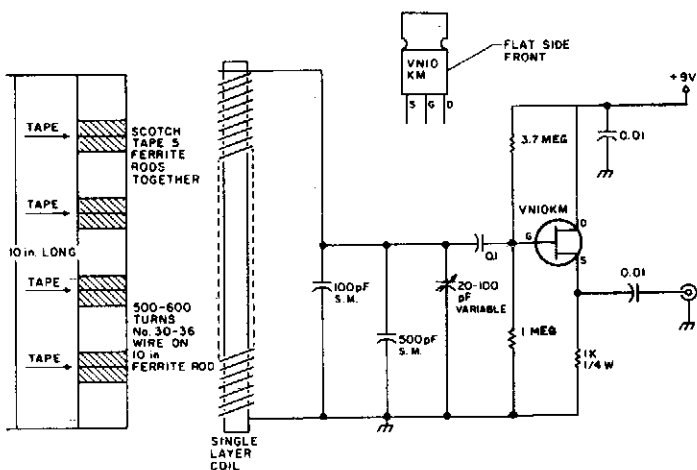


ELECTOR ELECTRONICS USA

FIG. 4-2

A 30- to 50-cm whip antenna provides reception from 10 kHz to over 220 MHz. T1, a dual-gate MOSFET, provides low noise, high-input impedance, and high gain. The circuit is powered via the coaxial cable used to connect the antenna to a receiver.

VLF 60-kHz ANTENNA/PREAMP



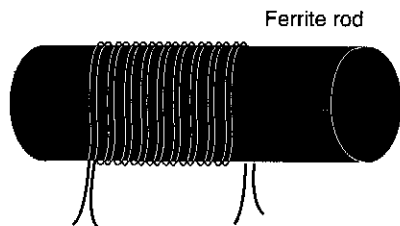
73 AMATEUR RADIO TODAY

FIG. 4-3

Suitable for 60-kHz standard frequency reception, here is a schematic for a FET preamp and antenna.

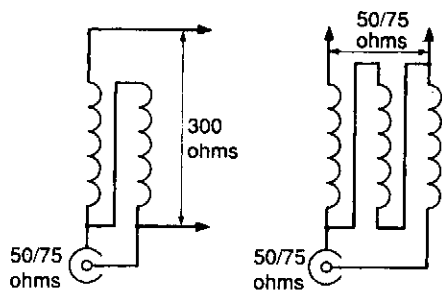
SIMPLE BALUN

The wires must be bound tightly together, but windings may be slightly spaced if necessary. The diagram shows a bifilar balun with two coils.



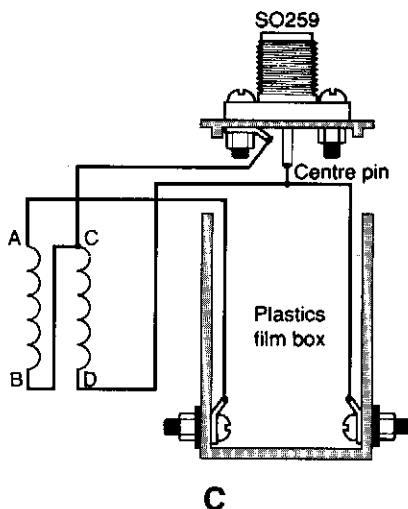
A

An example of a 4:1 bifilar (a), and (b) a 1:1 trifilar balun.



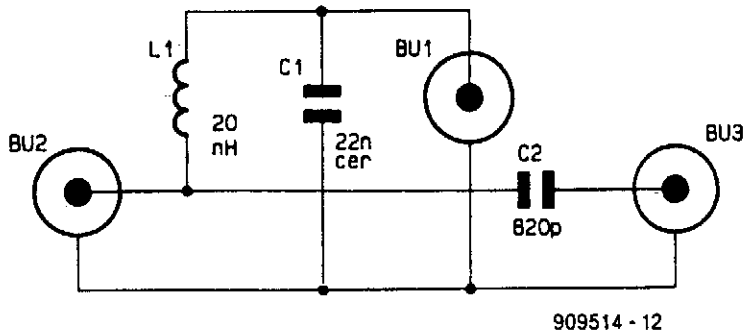
B

The wire connections for the 4:1 balun. After connecting up and testing, the coils and ferrite rod may be located inside the plastics film container.

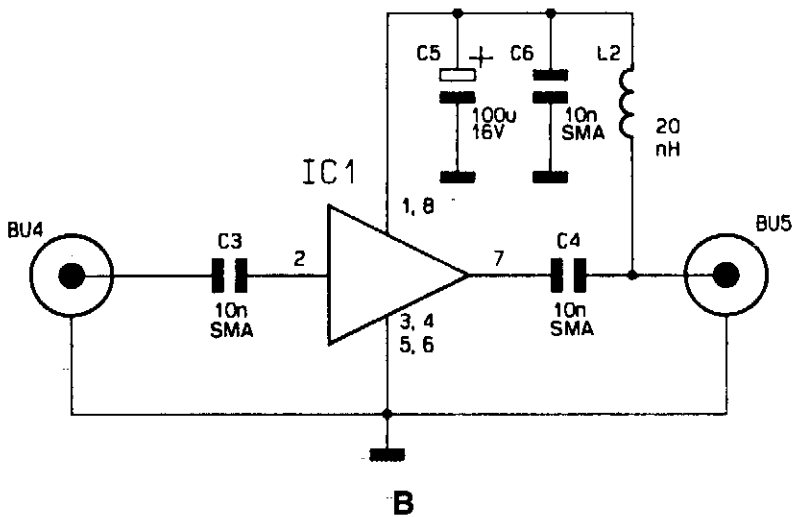


An old ferrite rod from a junked broadcast receiver can be used to construct an antenna balun, as shown.

WIDEBAND ANTENNA PREAMPLIFIER



A

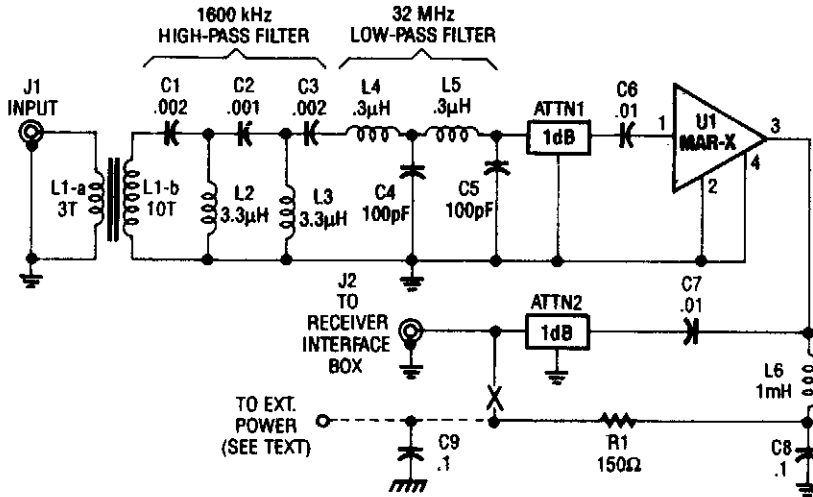


ELEKTOR ELECTRONICS

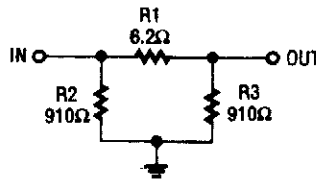
FIG. 4-5

This wideband antenna preamplifier has a gain of around 20 dB from 40 to 860 MHz, covering the entire VHF, FM, commercial, and UHF bands. A phantom power supply provides dc to the pre-amp via the coaxial cable feeding the unit.

HF BROADBAND ANTENNA PREAMP



A

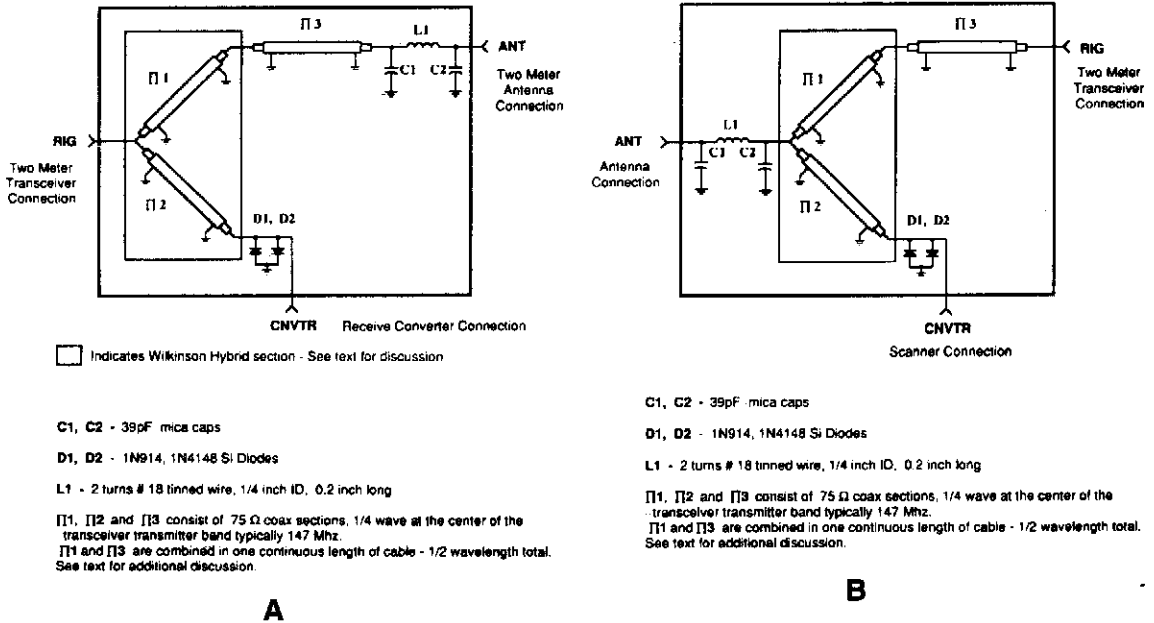


B

The HF/SW receiver preamplifier is comprised of a broadband toroidal transformer (L1-a and L1-b), LC network (comprised of a 1600-kHz, high-pass filter and a 32-MHz, low-pass filter), L2 and L3 (26 turns of #26 enameled wire wound on an Amidon Associates T-50-2, red, toroidal core), a pair of resistive attenuators (ATTN1 and ATTN2), and a MAR-x device.

Shown here is the composition of a basic 1-dB pi-network resistor attenuator. This is the method of supplying dc power to a preamplifier using only the RF coax cable.

AUTOMATIC TR SWITCH



□ Indicates Wilkinson Hybrid section - See text for discussion

C1, C2 - 39pF mica caps

D1, D2 - 1N914, 1N4148 Si Diodes

L1 - 2 turns # 18 tinned wire, 1/4 inch ID, 0.2 inch long

Π1, Π2 and Π3 consist of 75 Ω coax sections, 1/4 wave at the center of the transceiver transmitter band typically 147 Mhz.
 Π1 and Π3 are combined in one continuous length of cable - 1/2 wavelength total.
 See text for additional discussion.

C1, C2 - 39pF mica caps

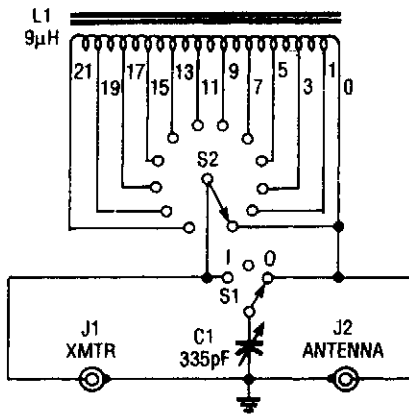
D1, D2 - 1N914, 1N4148 Si Diodes

L1 - 2 turns # 18 tinned wire, 1/4 inch ID, 0.2 inch long

Π1, Π2 and Π3 consist of 75 Ω coax sections, 1/4 wave at the center of the transceiver transmitter band typically 147 Mhz.
 Π1 and Π3 are combined in one continuous length of cable - 1/2 wavelength total.
 See text for additional discussion.

A pair of diodes and a quarter-wave transmission line are used as an automatic TR switch. D1 and D2 conduct during transmit periods, short-circuiting the scanner input. In this mode, the 1/4-wave line appears as an open circuit. In receive, the circuit acts as a Wilkinson power divider.

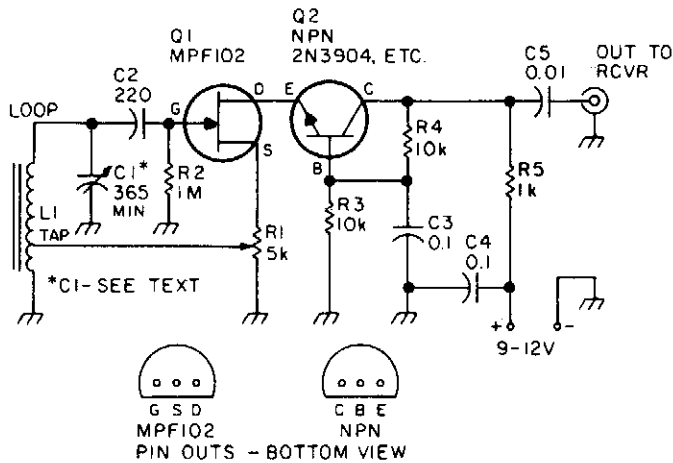
LOW-POWER ANTENNA TUNER



This antenna tuner is suitable for use with low-power (less than 5 W) transmitters or SW receivers. S2 selects inductance and S2 connects the 365-pF capacitor to either the transmitter or the side of the inductor. The tiny tuner is comprised of a tapped inductor (L1) and a variable capacitor (C1), which is connected to the inductor through a center-off SPDT switch (S1). That switch arrangement permits the capacitor to be connected to either the input or the output of the circuit.

1993 ELECTRONICS HOBBYISTS HANDBOOK FIG. 4-8

LOOP ANTENNA PREAMPLIFIER



73 AMATEUR RADIO TODAY

FIG. 4-9

This preamplifier has a built-in regeneration control boost gain selectivity. C1 is a single or multi-gang AM broadcast-band tuning capacitor. L1 is a ferrite loop antenna, tapped at about 15 to 25% of total turns. This circuit should prove useful for low-frequency (up to 3 MHz) reception, where a loop would be advantageous to reduce man-made noise pickup.

5

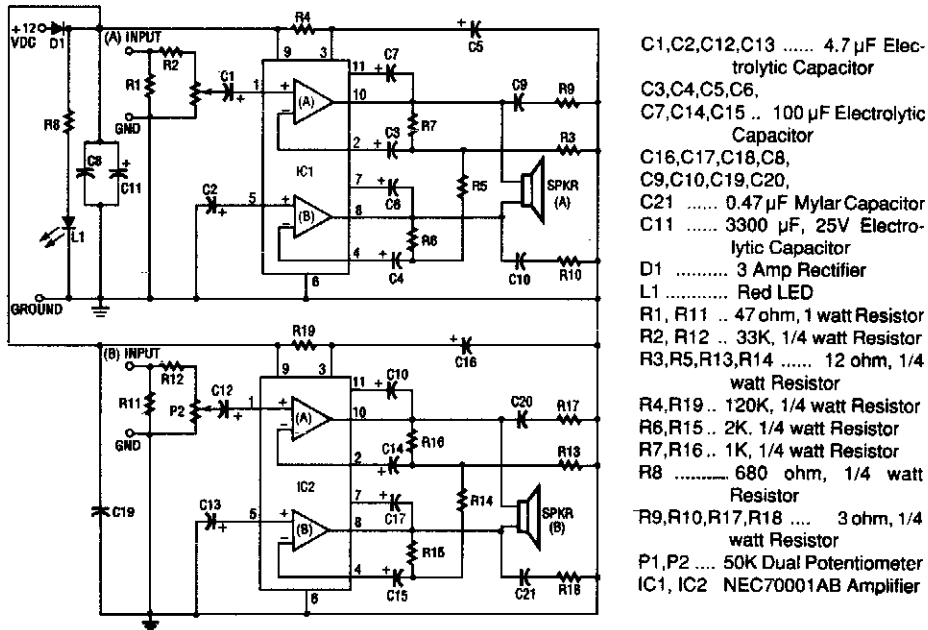
Audio Power Amplifier Circuits

The sources of the following circuits are contained in the Sources section, which begins on page 675. The figure number in the box of each circuit correlates to the entry in the Sources section.

20-W + 20-W Stereo Amplifier
40-W Amplifier
Half-Watt Single-Channel Audio Amplifier
Dual Audio Amplifier
A 70-W Composite Amplifier
A 33-W Bridge Composite Amplifier
MOSFET Power Amplifier
10-W Noninverting Composite Amplifier

10-W Inverting Composite Amplifier
LM380 Personal Stereo Amplifier
Subwoofer Amplifier
18-W Bridge Audio Amplifier
Subwoofer Crossover Amplifier
Audio Power Amplifier
Fast High-Voltage Linear Power Amp
Single-Chip 40-W Amplifier

20-W + 20-W STEREO AMPLIFIER

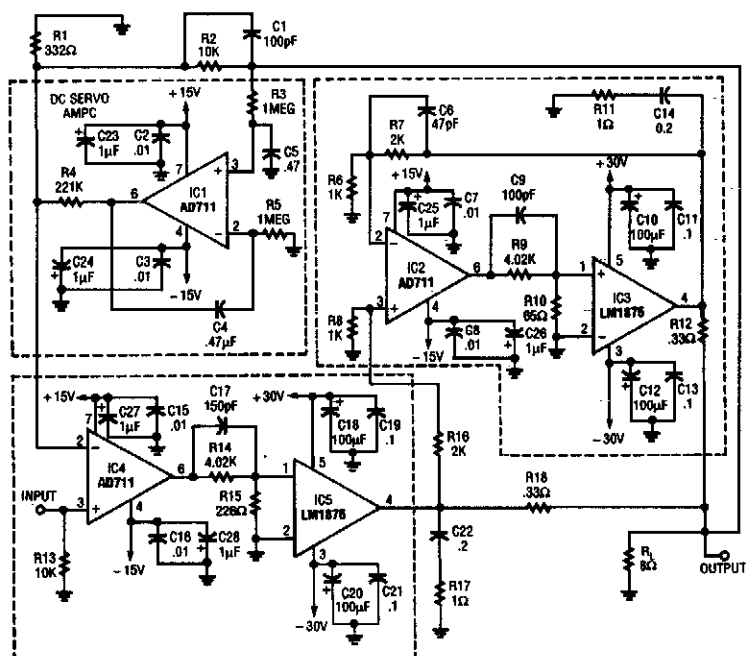


The 20-W + 20-W stereo amp consists of two complete, separate 20-W RMS bridge-type amplifiers. The input signal source is brought into the amplifier through the voltage divider network, which is made up of R1, R2, and P1. Resistor R1 provides a load impedance between the signal source and ground. Resistor R2 couples that signal to potentiometer P1.

The signal is coupled by capacitor C1 to the noninverting (+) input (pin 1) of internal amplifier (A) of IC1, where the signal is greatly amplified. Capacitor C2 couples the (+) input of the other (B) internal amplifier of IC1 to ground. That causes the input signal, which is referenced to ground, to be coupled to both amplifiers because both the inputs and outputs of IC1 (A) and IC1 (B) are connected in a bridge configuration. Notice that the output of IC1 (A) from pin 10 is connected to one side of the speaker and the output of IC1 (B) from pin 8 is connected to the other side of the speaker. That is why the speakers used cannot have one side connected to ground. Resistors R6 and R7 set the gain of the amplifier. Resistors R9 and R10 and capacitors C9 and C10 provide frequency stability and prevent oscillation. Capacitors C6 and C7 provide "bootstrapping," which prevents distortion at low frequencies. LED L1 lights up by way of a series resistor connected from the anode to +12 Vdc when power is applied.

Power for both IC1 and IC2 is brought in through D1 (to protect amplifiers from reverse polarity). Capacitor C11 provides additional power supply line filtering. This booster is capable of producing 20 W RMS output out of each channel.

40-W AMPLIFIER

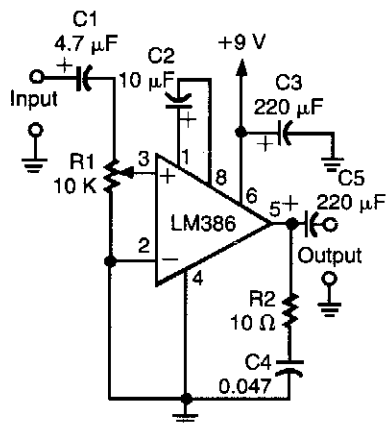


ELECTRONICS NOW

FIG. 5-2

This circuit uses two LM1875 devices and a dc servo loop. This circuit provides 40-W output. IC3 and IC5 must be heatsinked.

HALF-WATT SINGLE-CHANNEL AUDIO AMPLIFIER

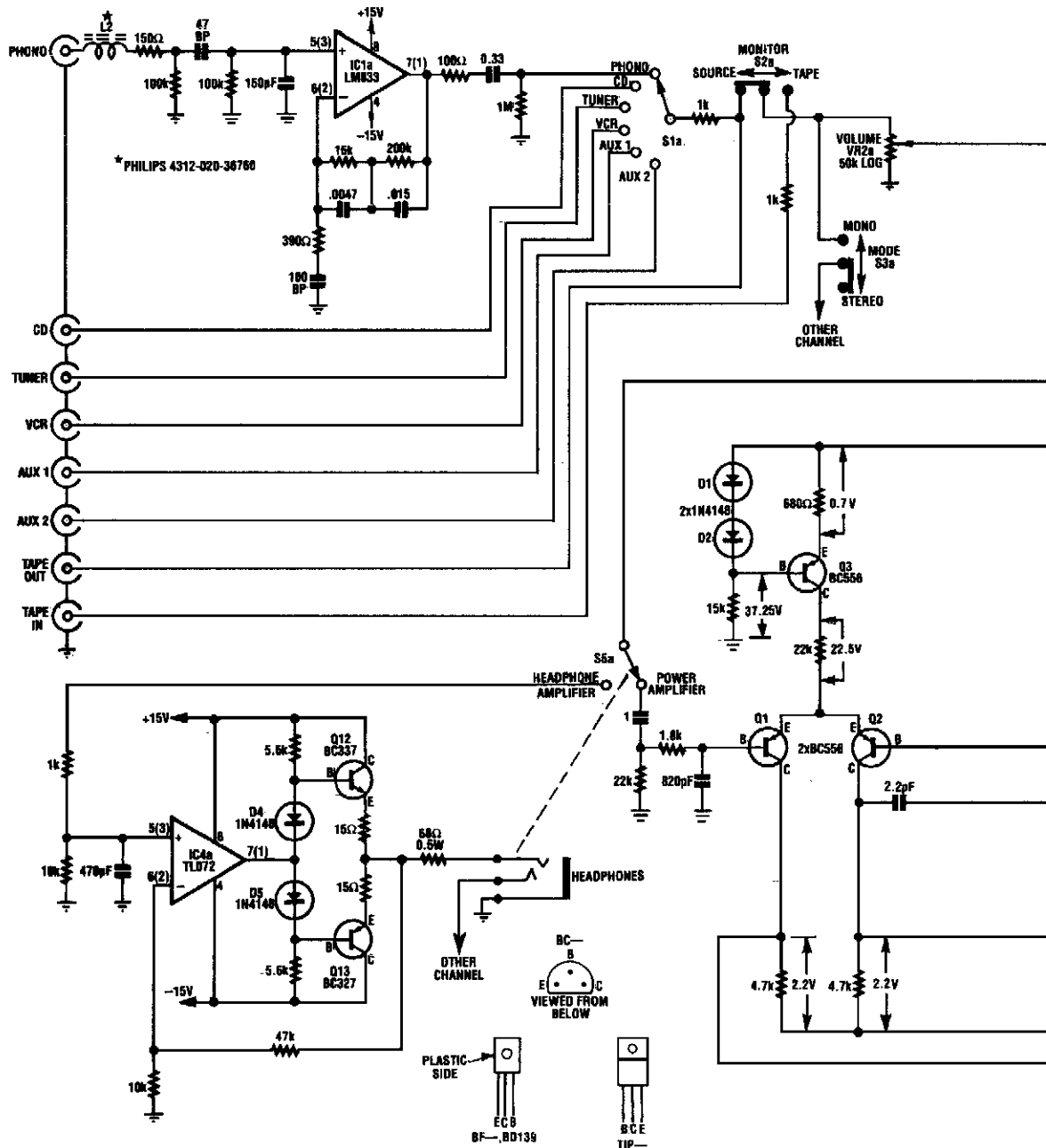


This circuit uses an LM386 IC and will work from 6- to 12-V battery sources. Output is about 0.5 W into 8 Ω.

ELECTRONICS NOW

FIG. 5-3

DUAL AUDIO AMPLIFIER



SILICON CHIP

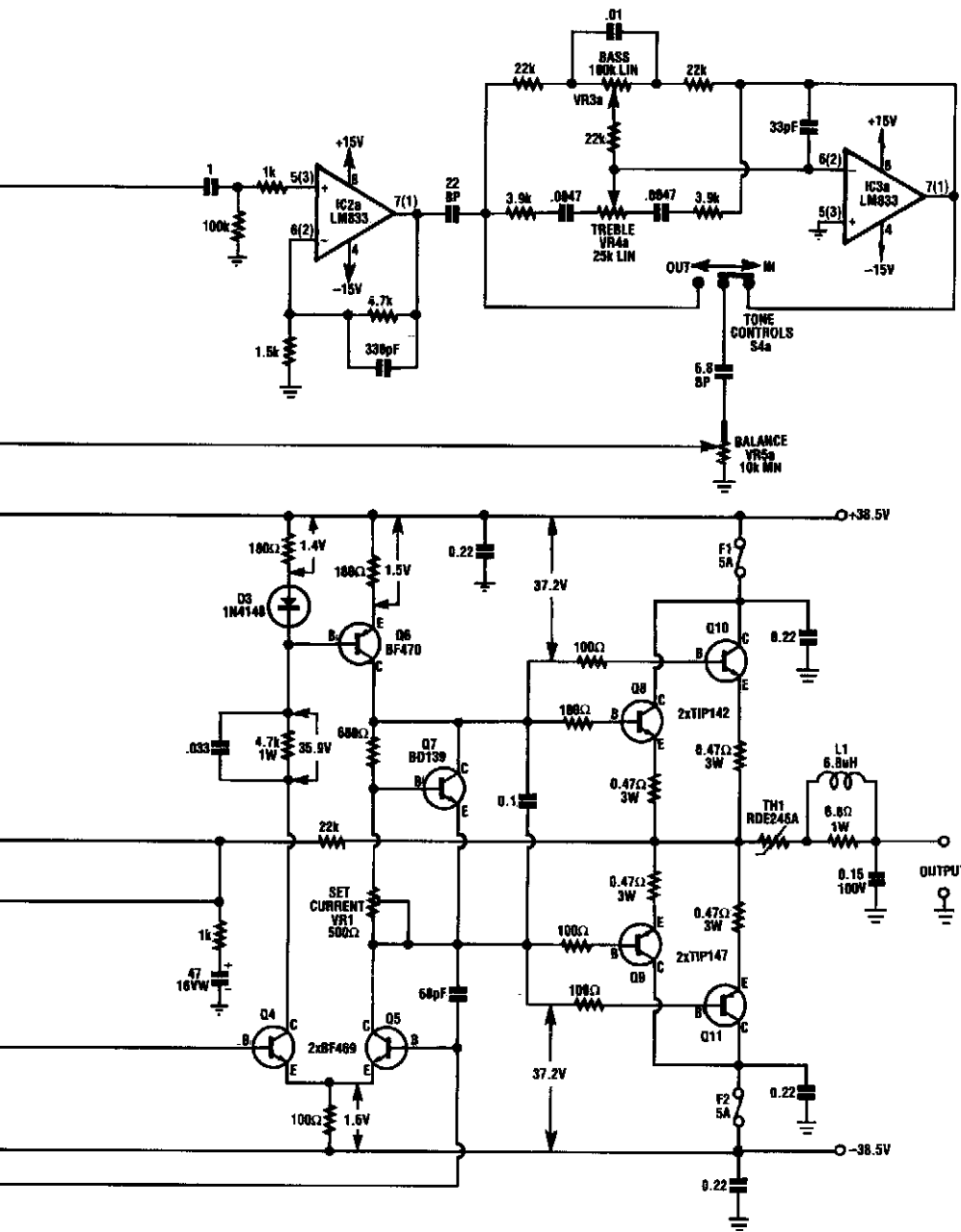
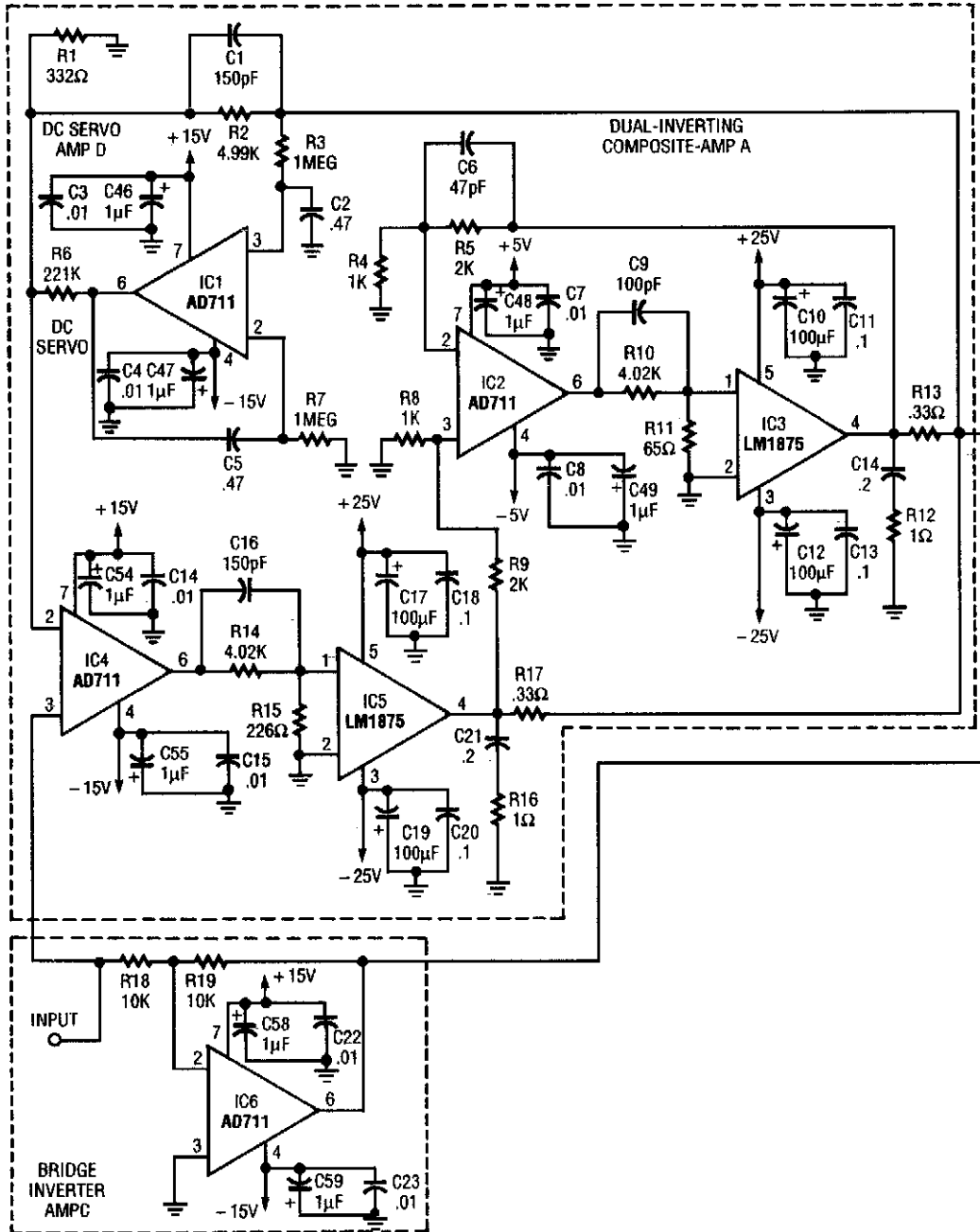
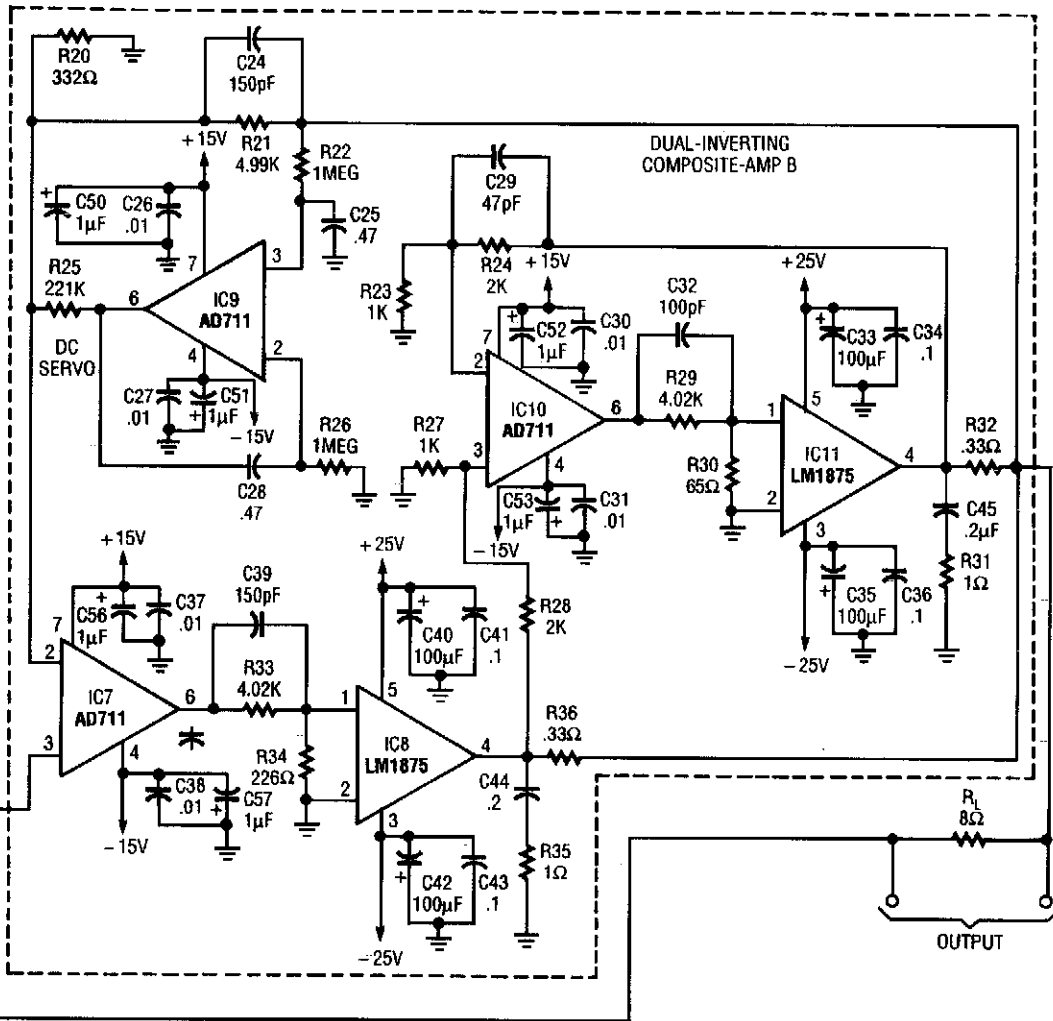


FIG. 5-4

A 70-W COMPOSITE AMPLIFIER

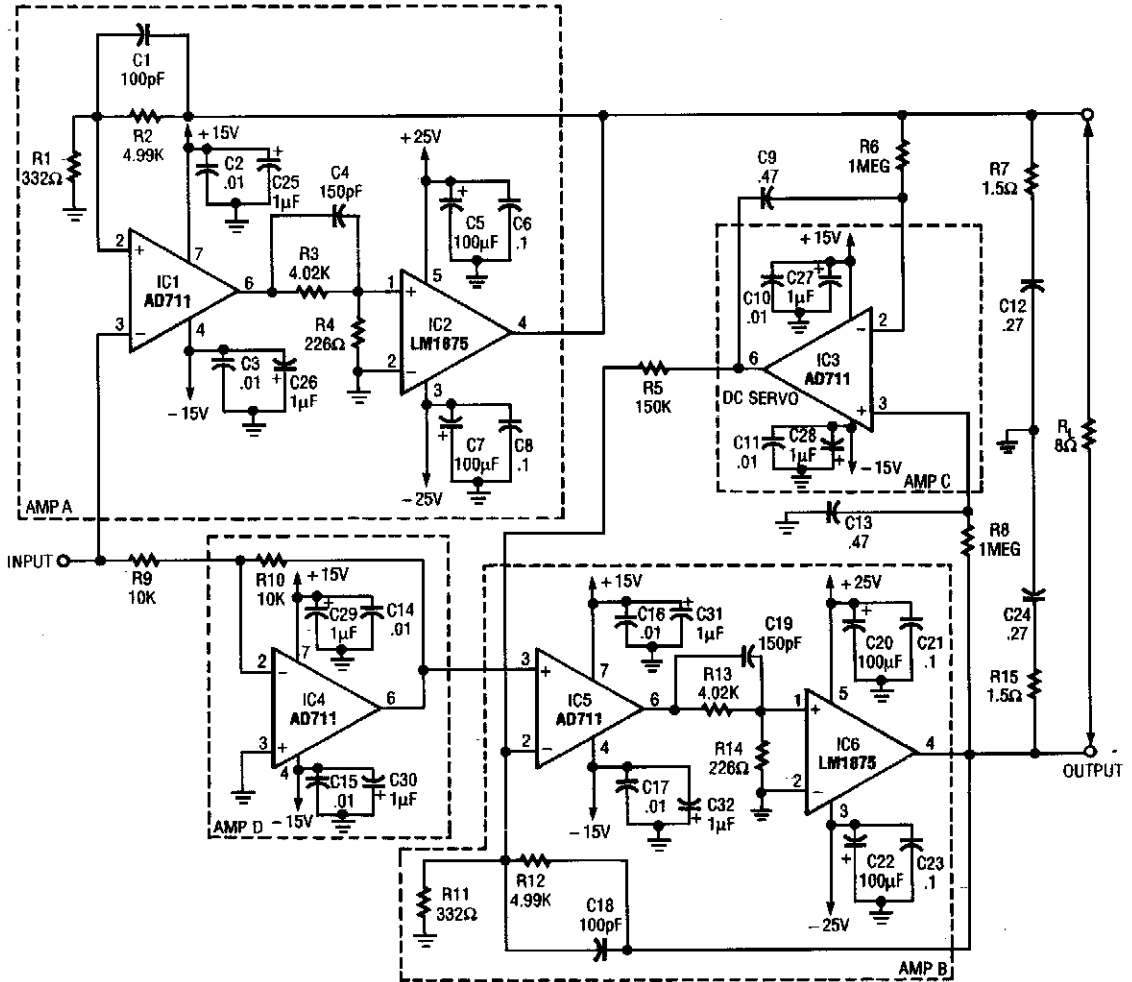




Four LM1875 devices, suitably heatsinked, and a $\pm 25\text{-V}$ supply, 70 W of output are available from this circuit. IC6 is a phase inverter.

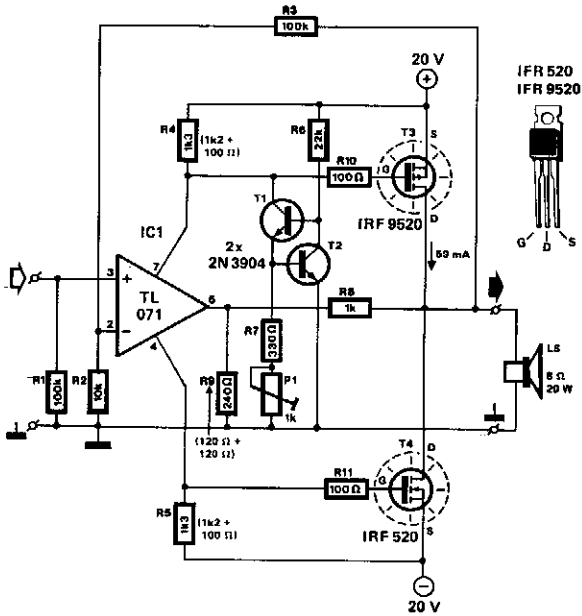
FIG. 5-5

A 33-W BRIDGE COMPOSITE AMPLIFIER



Two LM1875 ICs provide 33 W of audio. IC4 is used as a phase inverter. IC6 and IC2 must be heatsinked.

MOSFET POWER AMPLIFIER

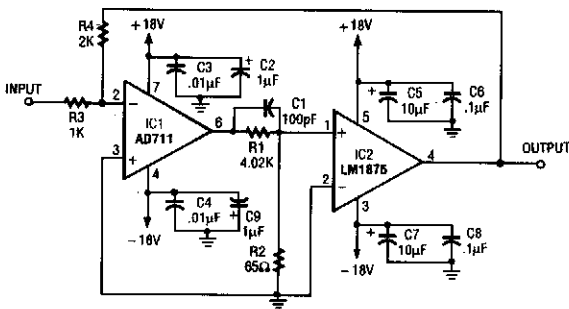


Two complementary MOSFETs are used to deliver 20 W into 8 Ω . A TL071 op amp is used as an input amplifier. The MOSFETs should be heatsinked with a heatsink of better than 5°C/W capability. THD is less than 0.15% from 100 Hz to 10 kHz.

303 CIRCUITS

FIG. 5-7

10-W NONINVERTING COMPOSITE AMPLIFIER

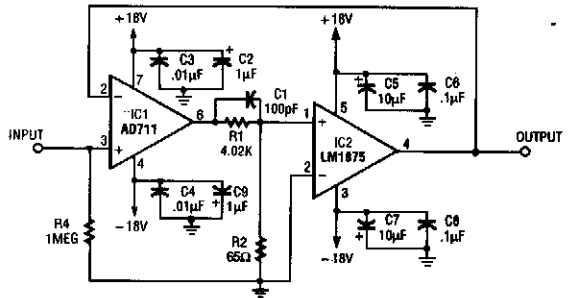


ELECTRONICS NOW

FIG. 5-8

By using an LM1875, suitably heatsinked, a 10-W amplifier that uses two IC devices can be built. IC2 must be heatsinked.

10-W INVERTING COMPOSITE AMPLIFIER

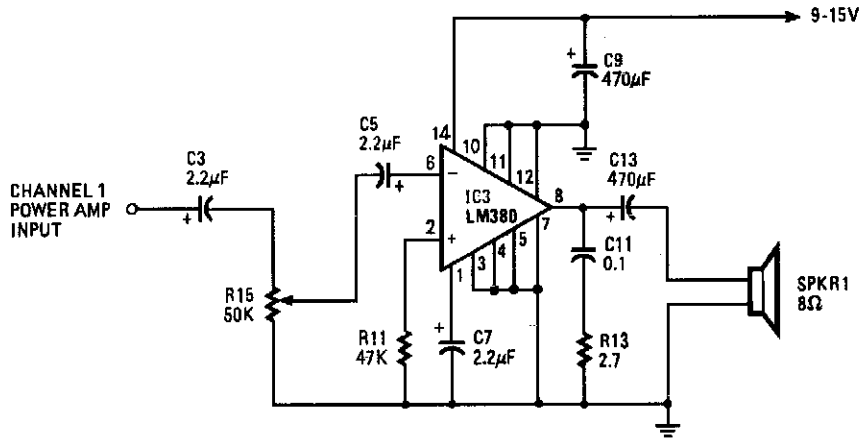


ELECTRONICS NOW

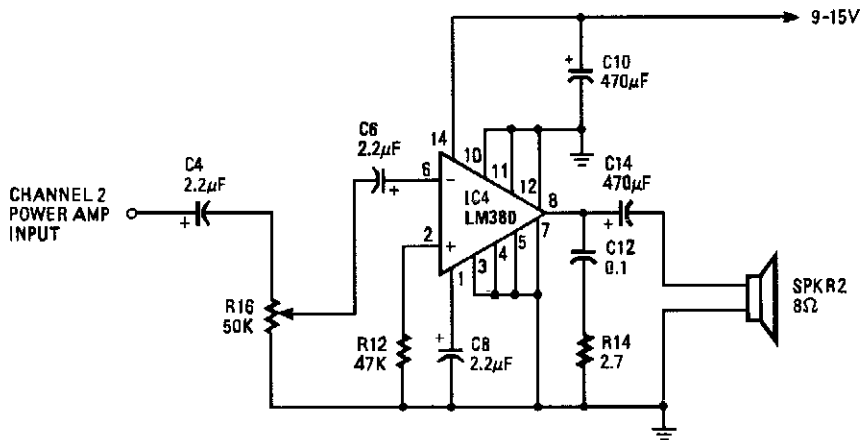
FIG. 5-9

Using an LM1875, a 10-W amplifier can be built using just two IC devices. The gain = R_4/R_3 . Note that IC2 must be heatsinked.

LM380 PERSONAL STEREO AMPLIFIER



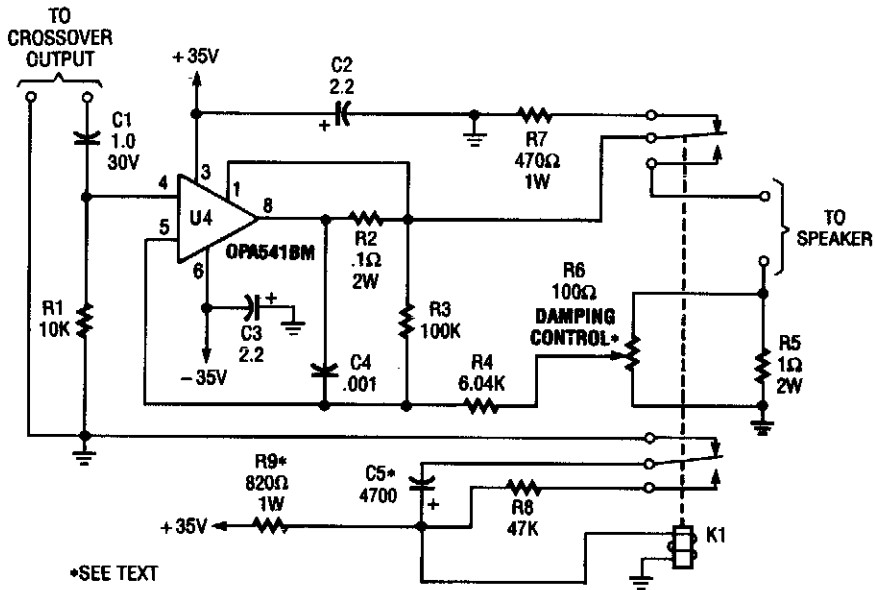
A



B

With the simple circuit, you can use your personal stereo to drive standard 8-Ω speakers.

SUBWOOFER AMPLIFIER

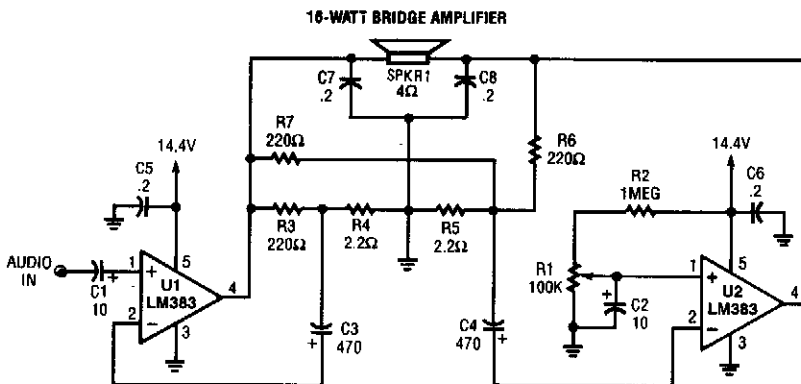


POPULAR ELECTRONICS

FIG. 5-11

Designed to feed a low-frequency subwoofer speaker system, the amplifier is capable of up to 100 W into an 8-Ω load. The OPA541BM op amp requires heatsinking and is manufactured by Burr-Brown Corporation. A damping control and a relay to eliminate turn-on and turn-off thump in the speaker is included.

18-W BRIDGE AUDIO AMPLIFIER

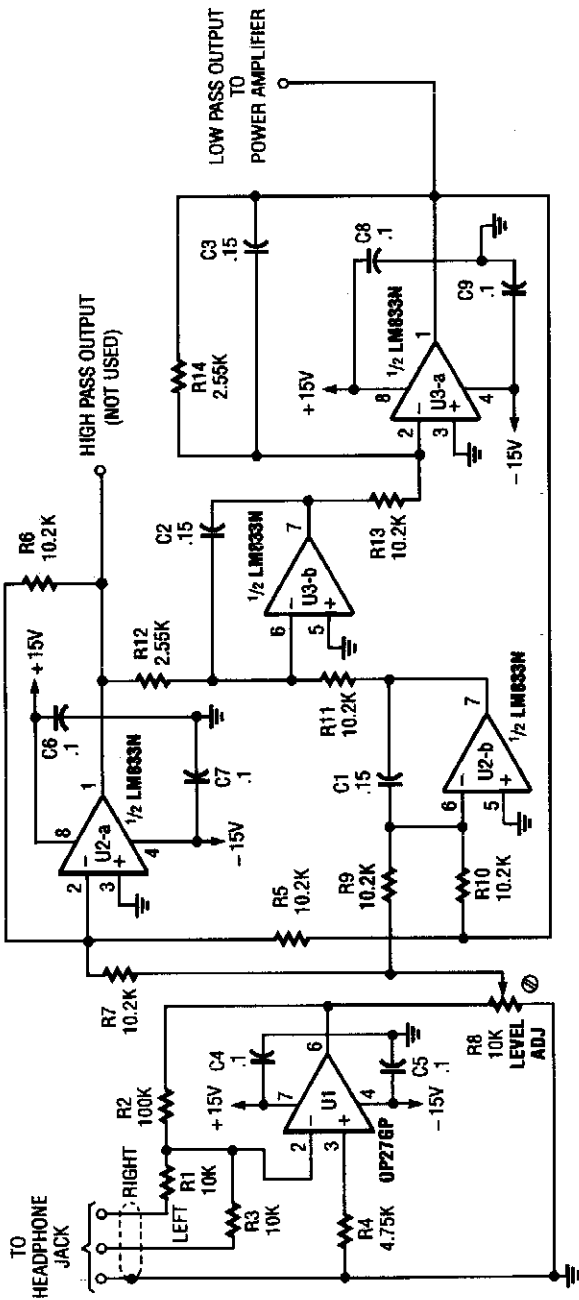


POPULAR ELECTRONICS

FIG. 5-12

Two LM383 IC devices are used in a bridge circuit that is useful for auto sound applications.

SUBWOOFER CROSSOVER AMPLIFIER

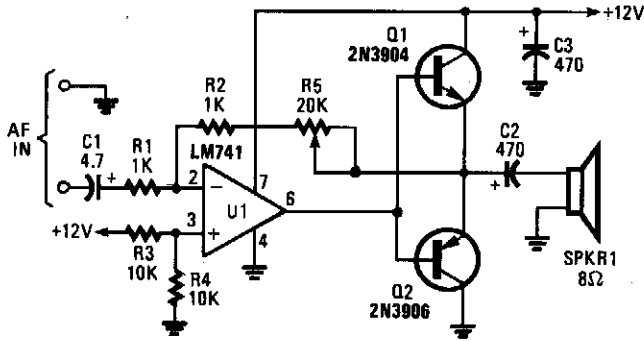


RADIO-ELECTRONICS

FIG. 5-13

The electronic-crossover circuit contains a summing amplifier that combines the left and right channels from a stereo's headphone jack. Originally used in a subwoofer system, the above circuit might be useful in similar audio applications.

AUDIO POWER AMPLIFIER

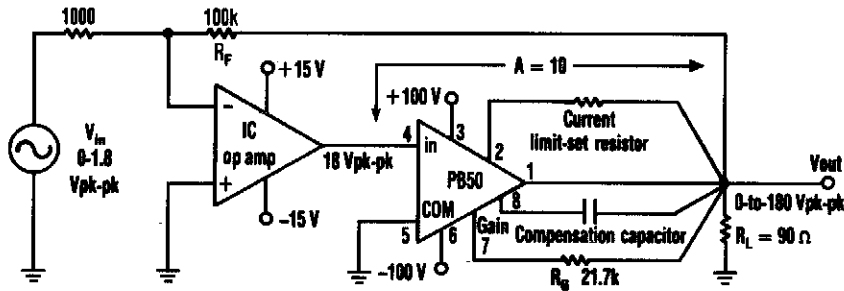


POPULAR ELECTRONICS

FIG. 5-14

The circuit, built around an LM741 op amp configured as an inverting amplifier, is used to drive complementary transistors (Q1 and Q2). The op amp's feedback loop includes the base-emitter junctions of both transistors—an arrangement that helps to reduce crossover distortion that would normally occur as a result of the emitter-to-base junction voltage drop of about 0.6 V. Potentiometer R5 varies the amplifier's voltage gain from 1 to about 20. As much as 0.5 W can be obtained from the circuit if a heatsink is added to the transistors.

FAST HIGH-VOLTAGE LINEAR POWER AMP



ELECTRONIC DESIGN

FIG. 5-15

An Apex PB50 Booster Amplifier, plus an IC op amp, can be used in a high-voltage op amp that converts a small analog signal to a 180-V p-p signal.

Apex Microtechnology manufactures a number of power op amps. The above circuit uses a PB50 booster amplifier to deliver a 180-V p-p signal into a 90-Ω load, from a ±100-V supply.

6

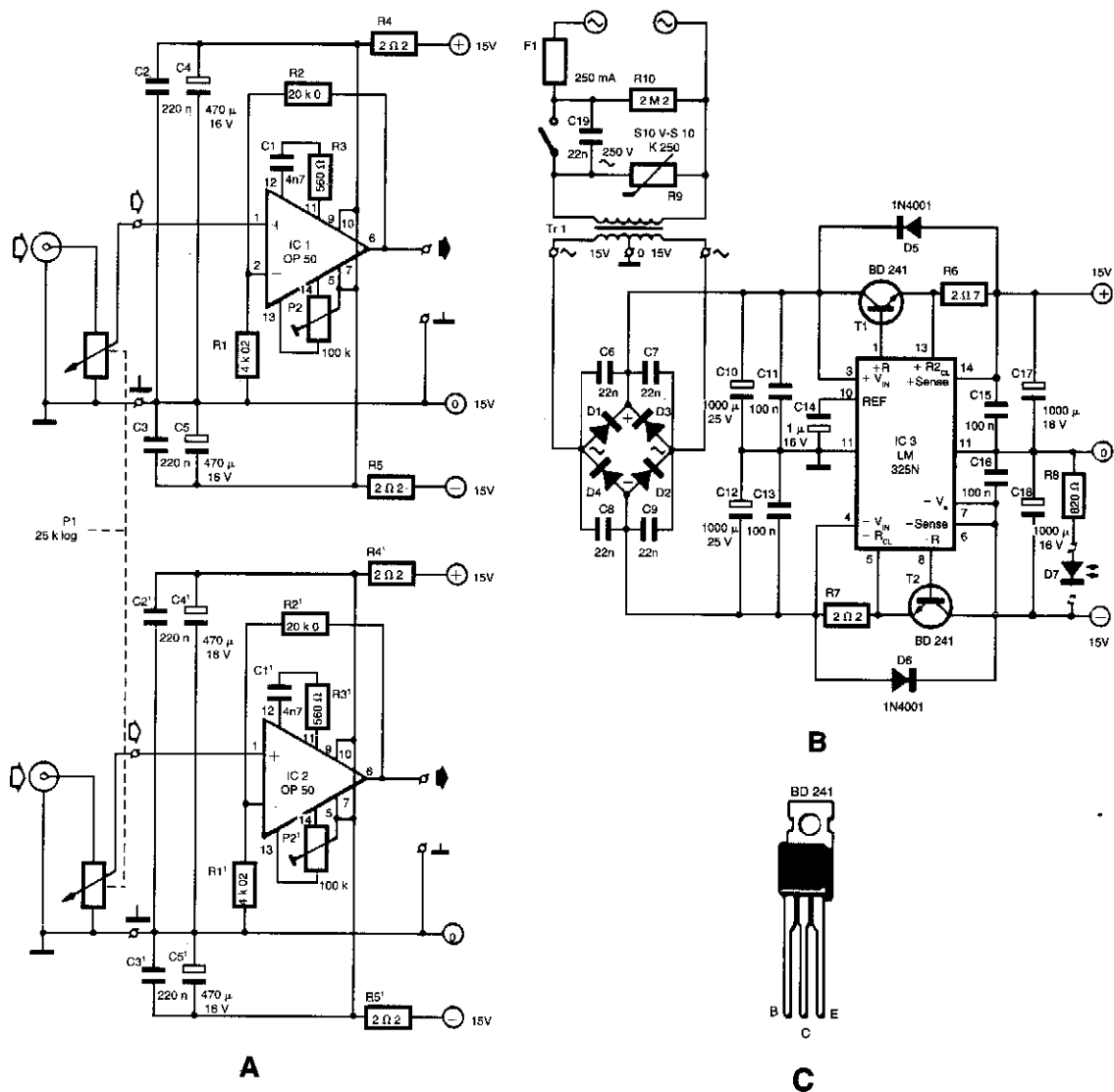
Audio Signal Amplifier Circuits

The sources of the following circuits are contained in the Sources section, which begins on page 675. The figure number in the box of each circuit correlates to the entry in the Sources section.

Headphone Amplifier
Audio Line Driver
Constant-Volume Amplifier
Mini Amplifier Using LM1895N
Audio Amplifier with Tuneable Filter
Audio Compressor

JFET Headphone Amplifier
Dual Preamp
Magnetic Pickup Phono Amplifier
Audio Booster
Audio Volume Limiter
Audio Distribution Amplifier

HEADPHONE AMPLIFIER

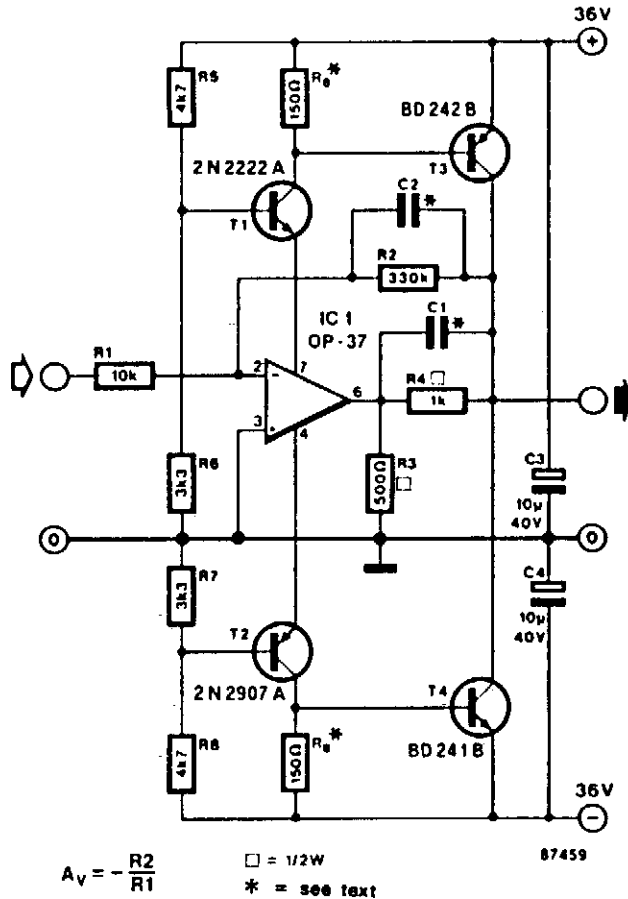


303 CIRCUITS

FIG. 6-1

Built around Precision Monolithics Inc. OP-50 op amps, this amplifier will drive 100-Ω to 1-kΩ headphone, is flat within 0.4 dB from 10 Hz to 20 kHz, and has a THD of less than 0.01% over most of the audio range. Amplification factor is about 6X.

AUDIO LINE DRIVER

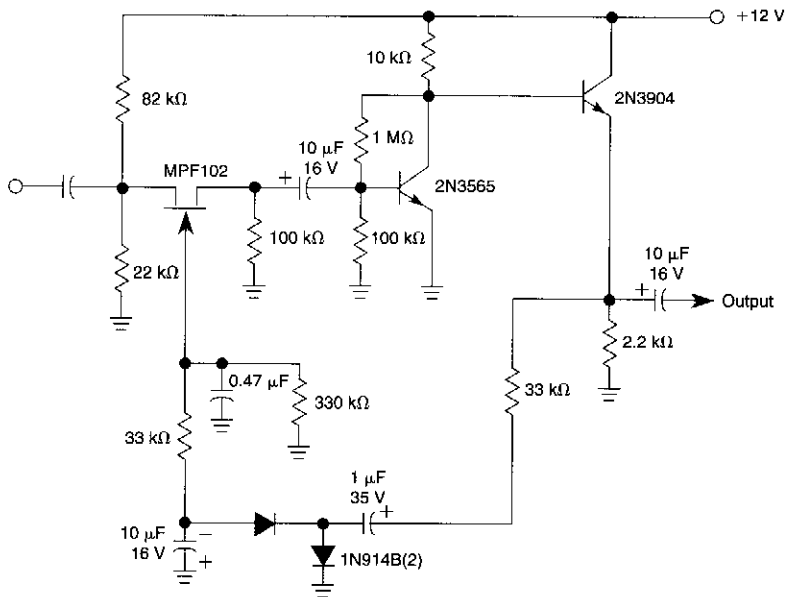


303 CIRCUITS

FIG. 6-2

This line driver can drive low-impedance lines with up to 70 V p-p max. IC1 is a low-noise op amp suitable for ± 15 -V operation. T1 and T2 are regulators for the power supply for IC1. T3 and T4 form a complementary power output stage. Frequency response is flat up to 100 kHz.

CONSTANT-VOLUME AMPLIFIER

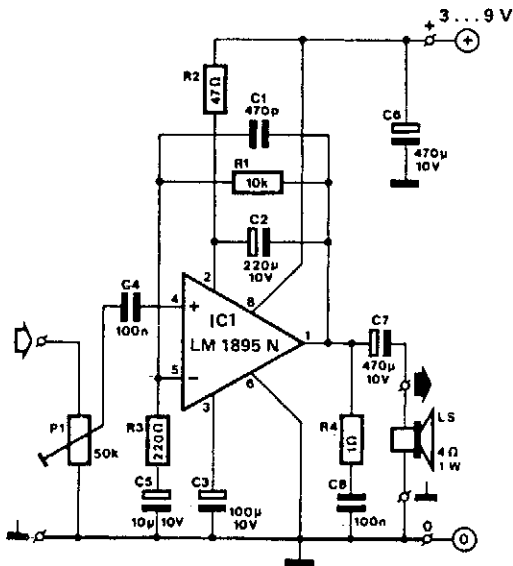


WILLIAM SHEETS

FIG. 6-3

The amplifier has an output level that shifts about 6 dB for a 40-dB input variation.

MINI AMPLIFIER USING LM1895N

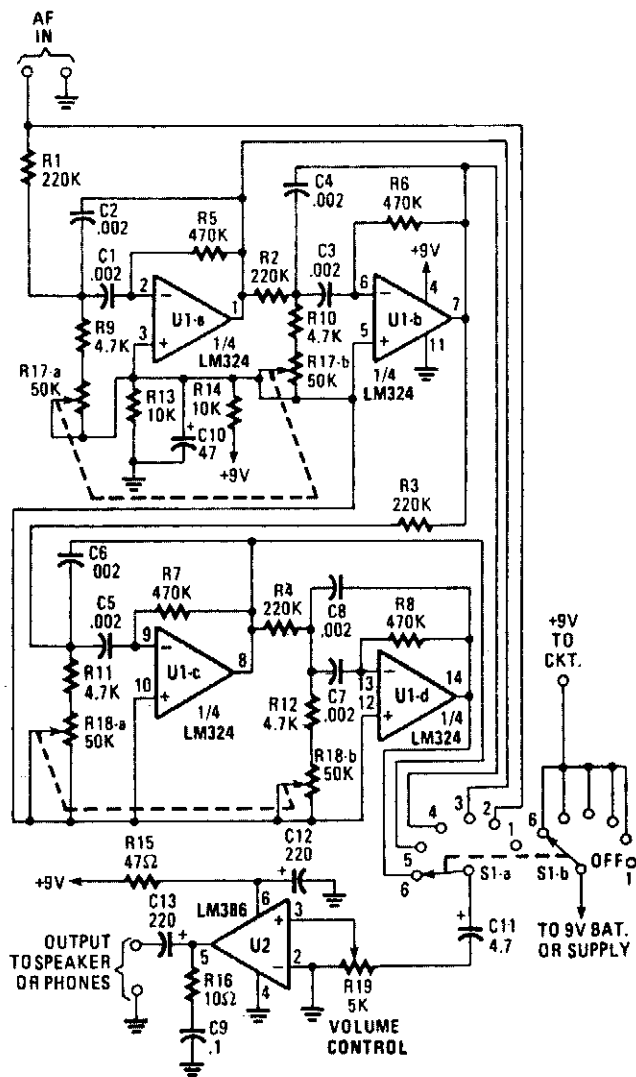


With 3-V to 9-V supplies, this amplifier can provide from 100-mW to 1-W output into a 4 Ω and bandwidth is approximately 20 kHz @ 3 dB. This circuit is useful for low-power and battery applications. Drain is 80 mA @ 3 V or 270 mA @ 9 V at maximum signal conditions.

303 CIRCUITS

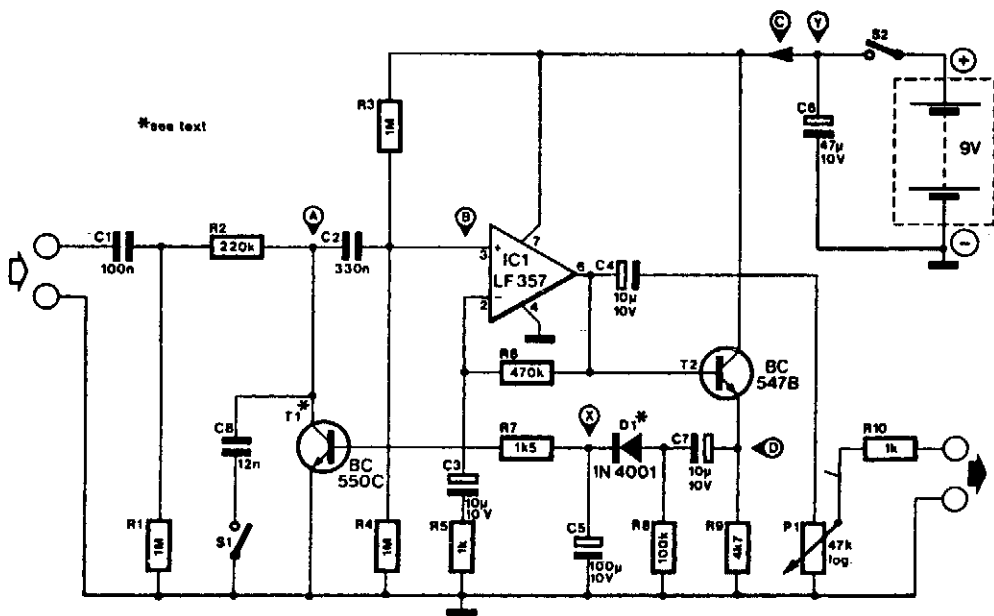
FIG. 6-4

AUDIO AMPLIFIER WITH TUNEABLE FILTER



This audio amplifier can tune from 500 to 1500 Hz and will drive a speaker or headphones. Useful for CW reception or other receiver applications, only two IC devices are needed.

AUDIO COMPRESSOR

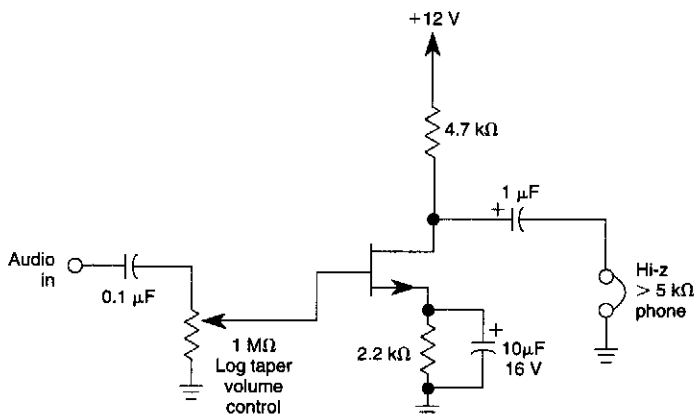


303 CIRCUITS

FIG. 6-6

This compressor will compress a 25-mV p-p to 20-V p-p audio output to input levels remaining between 1.5 V p-p to 3.5 V p-p, and has a frequency response of 7 Hz to 67 kHz. It is suitable for audio and communications applications.

JFET HEADPHONE AMPLIFIER

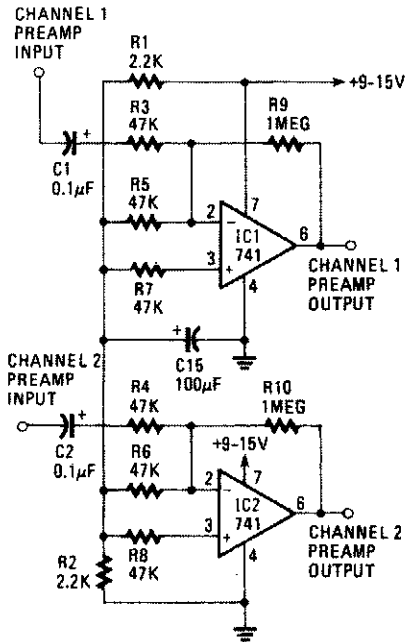


WILLIAM SHEETS

FIG. 6-7

This circuit can drive high-impedance headphones from a low impedance low-level source. Gain is about 5X to 10X depending on headphone impedance. A volume control is included.

DUAL PREAMP

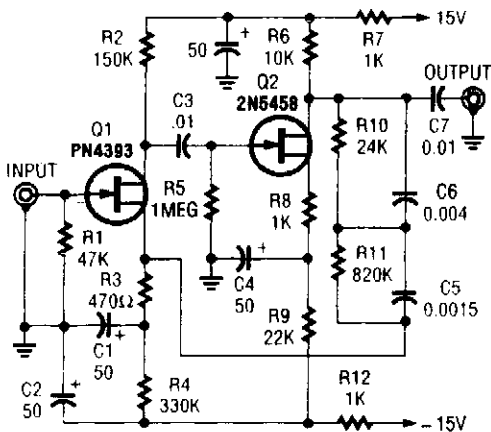


If you wish to amplify low-level signals, such as the output of a turntable, the signal must first be fed to this preamp.

1987 R-E EXPERIMENTERS HANDBOOK

FIG. 6-8

MAGNETIC PICKUP PHONO AMPLIFIER

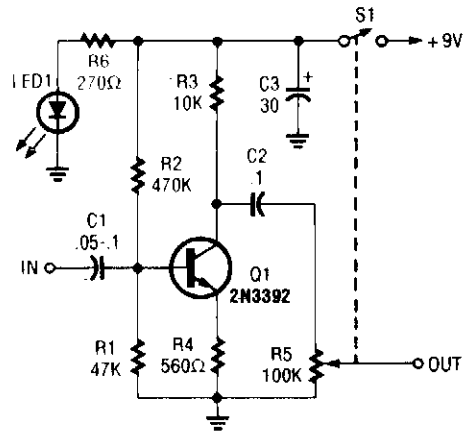


POPULAR ELECTRONICS

FIG. 6-9

This preamp is RAA compensated for use with magnetic phone cartridges.

AUDIO BOOSTER

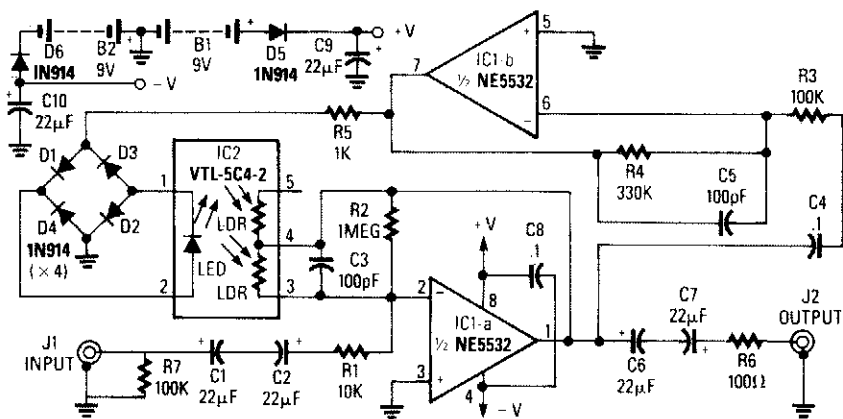


POPULAR ELECTRONICS

FIG. 6-10

This circuit has a maximum gain of about 22 dB (voltage gain), and it can be used for miscellaneous audio circuits.

AUDIO VOLUME LIMITER

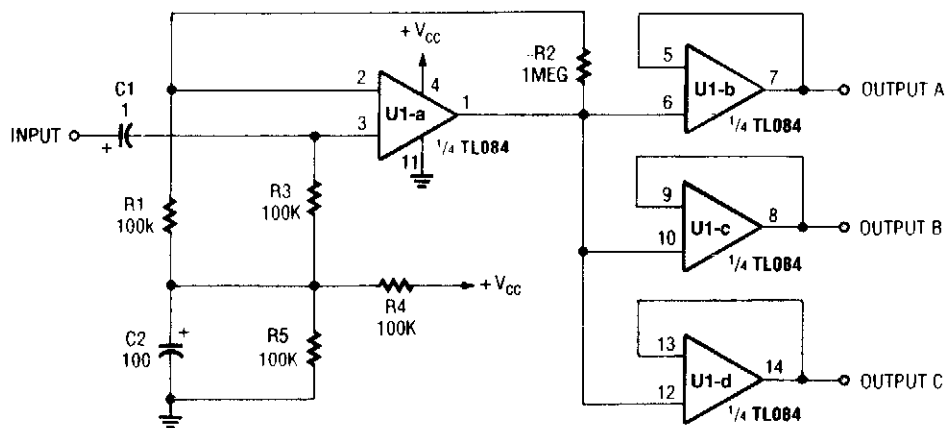


1992 R-E EXPERIMENTERS HANDBOOK

FIG. 6-11

IC1-a is connected as an inverting amplifier whose gain is controlled by the LDR portion of an optocoupler.

AUDIO DISTRIBUTION AMPLIFIER



POPULAR ELECTRONICS

FIG. 6-12

Three low-Z audio outputs are available from this circuit, using a quad TL084 FET amplifier. The input is high impedance. V_{CC} can be 6 to 12 V for typical applications.

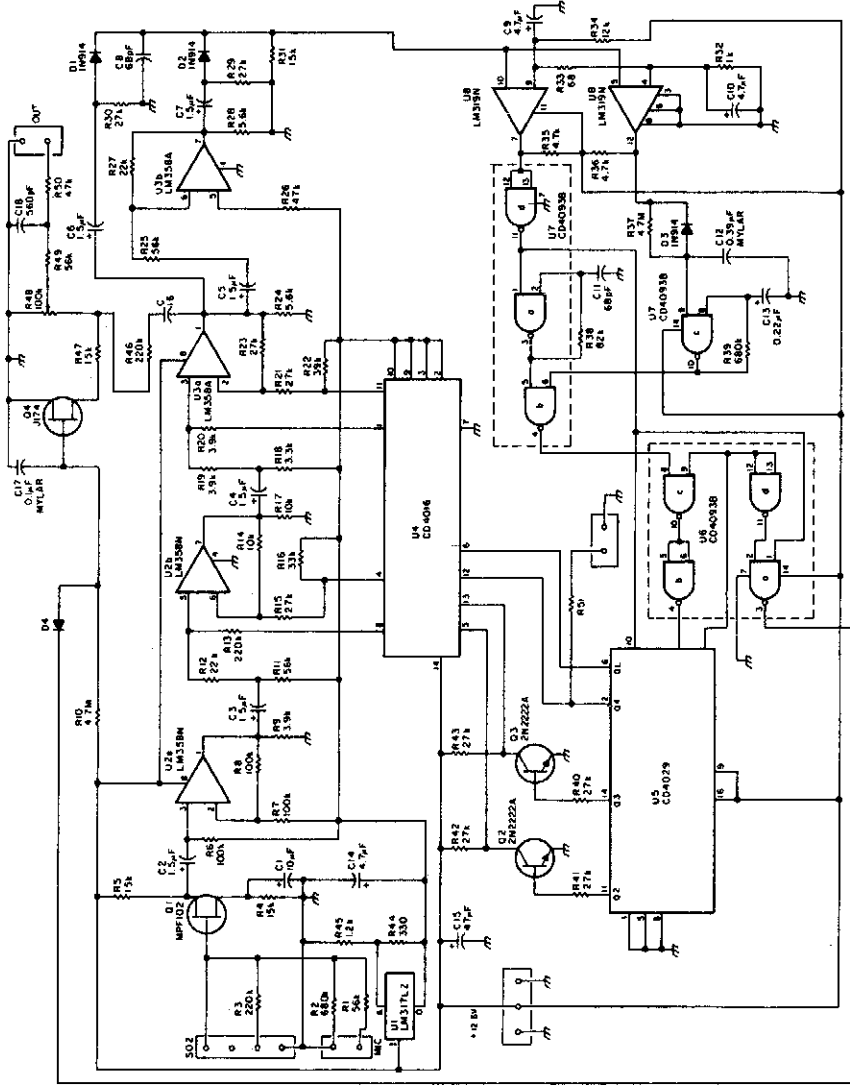
7

Automatic Level Control Circuits

The sources of the following circuits are contained in the Sources section, which begins on page 675. The figure number in the box of each circuit correlates to the entry in the Sources section.

Digital Automatic Level Control (ALC)
AGC System for Audio Signals
ALC (Automatic Level Control)

DIGITAL AUTOMATIC LEVEL CONTROL (ALC)

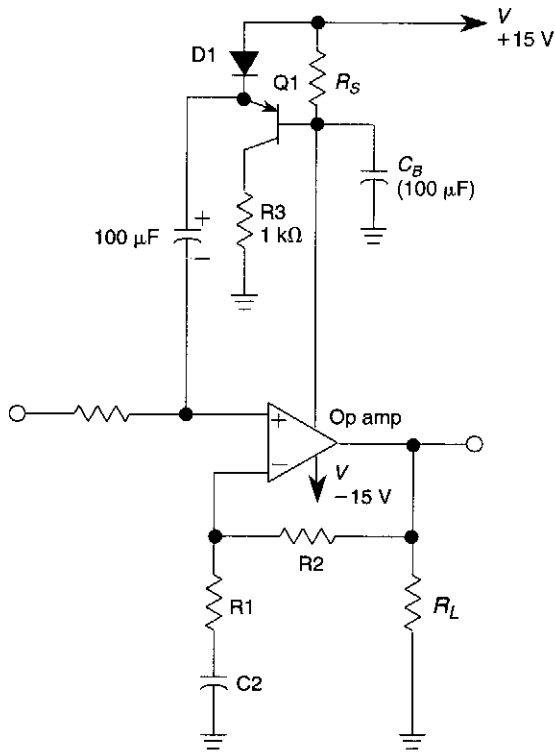


73 AMATEUR RADIO TODAY

FIG. 7-1

This approach to automatic level control (ALC) makes use of digitally switched audio attenuators in the signal path. The output level of the system is sensed, compared to a reference, and audio pads are inserted via analog switches. This method is nearly instantaneous and eliminates the compromises necessary in conventional RC network ALC systems using fast attack, slow-decay approaches.

AGC SYSTEM FOR AUDIO SIGNALS



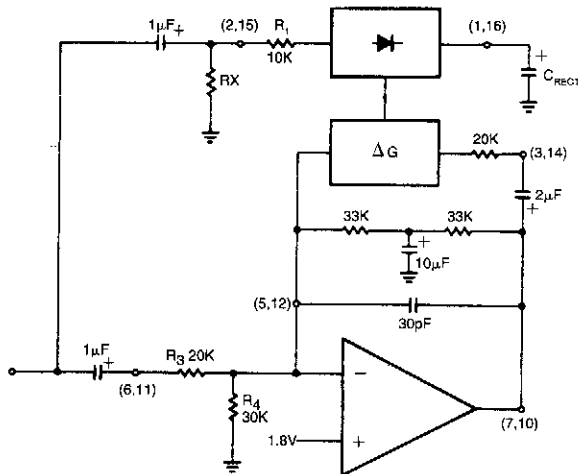
WILLIAM SHEETS

FIG. 7-2

This circuit is an AGC system for audio-frequency signals. AGC systems usually consist of three parts: an amplifier, rectifier, and controlled impedance. In this circuit the functions of an amplifier and a rectifier are performed by a single op amp. This makes the system simple and cheap.

The rectifier is made with the output push-pull cascade of the op amp and R_s , R_L , and C_B . The transistor Q1 and D1 are used as a voltage-controlled resistance (Z). The input signal is $(Z + R_1)/Z$ times, diminished by the voltage divider and $1 + R_2/R_1$ times, amplified by the op amp. C_2 eliminates influence of dc bias voltage. R_3 protects Q1 and D1 from excessive current.

ALC (AUTOMATIC LEVEL CONTROL)



1989 RF COMMUNICATIONS HANDBOOK

FIG. 7-3

The rectifier input is tied to the input. This makes gain inversely proportional to input level so that a 20-dB drop in input level will produce a 20-dB increase in gain. The output will remain fixed at a constant level. The circuit will maintain an output level of ± 1 dB for an input range of +14 to -43 dB at 1 kHz. Additional external components will allow the output level to be adjusted.

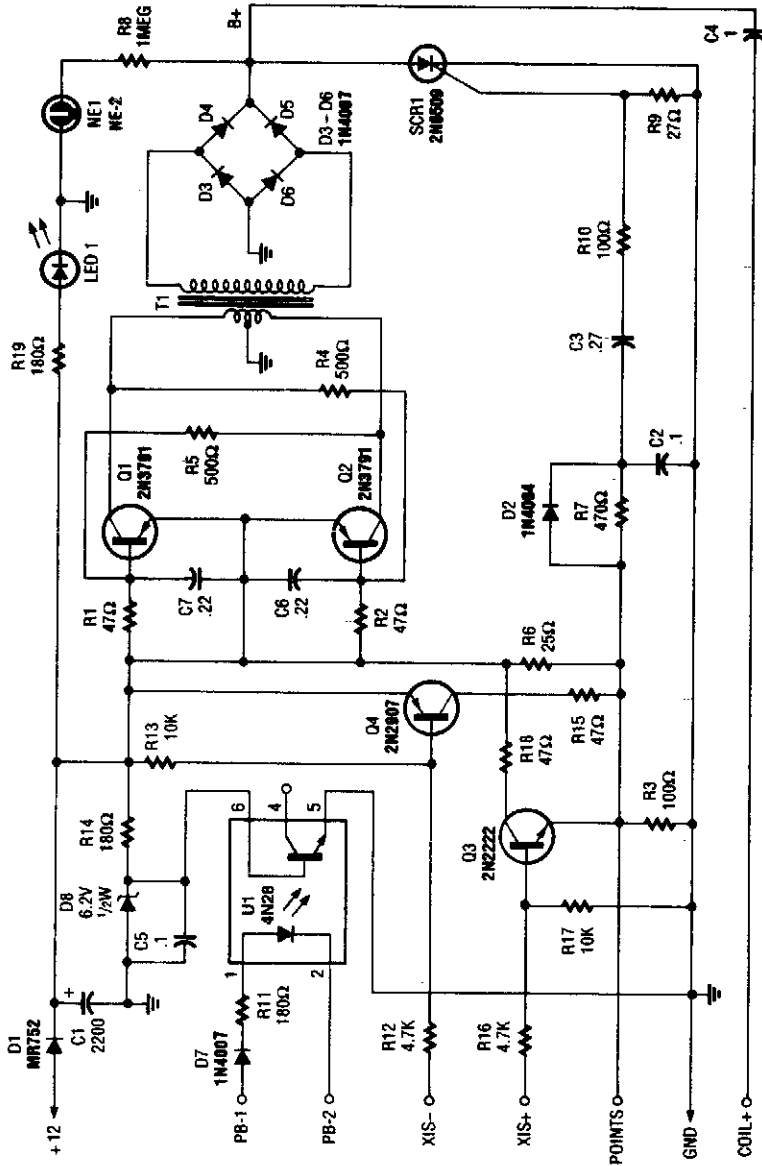
8

Automotive Circuits

The sources of the following circuits are contained in the Sources section, which begins on page 675. The figure number in the box of each circuit correlates to the entry in the Sources section.

CD Ignition System for Autos	Headlight Flasher
Brake and Turn-Signal Light Circuit	Automotive Audible-Turn Indicator
Vehicular Tachometer Circuit	Engine Block Heater Minder
Smart Turn Signal	Headlights-On Reminder
Manual Headlight/Spotlight Control for Autos	Brake and Turn Indicator
Thermostat Switch for Automotive Electric Fans	Lamp-Switching Circuit
Flashing Brake Light	Automatic Turn-Off Control for Automobiles
Power Controller (for Automotive Accessories)	Alternator Regulator
Automotive Power Adapter for dc-Operated Devices	Auto Generator Regulator
Time-Delay Auto-Kill Switch	Lights-On Reminder
Booster Amplifier for Car Stereo Use	Auto Fuse Monitor
Auto Turn-Signal Reminder	Headlight Alarm

CD IGNITION SYSTEM FOR AUTOS



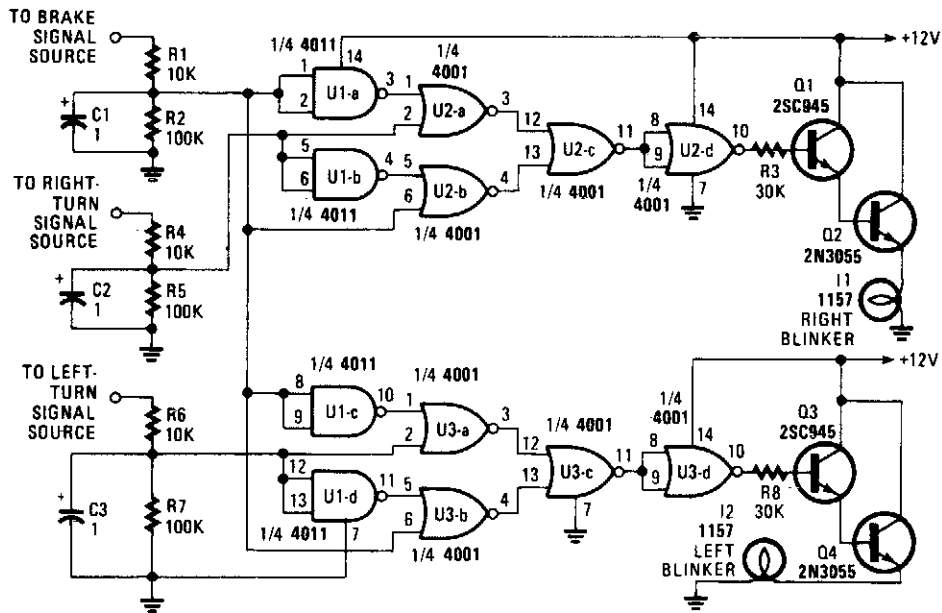
POPULAR ELECTRONICS

FIG. 8-1

At the heart of the CD4-MX is an astable multivibrator, built around Q1 and Q2, that feeds step-up transformer T1. The output of T1 is rectified by D3 to D6 and used to charge capacitor C4. When the points close, a small voltage is fed to the gate of SCR1, causing it to fire, dumping the charge of C4 to the vehicle's ignition coil. The circuit also contains optional subcircuits to accommodate different types of auto ignitions.

X₁₅ + and X₁₅ - are alternative trigger configurations for nonpoint breaker ignition systems. R6 is not used for these systems and must be removed. Optocoupler U1 can be used (pin 4) in conjunction with X₁₅ - or X₁₅ + depending on polarity of sensor. Note that 60 to 70 kV is available from this system, so observe suitable safety precautions.

BRAKE AND TURN-SIGNAL LIGHT CIRCUIT

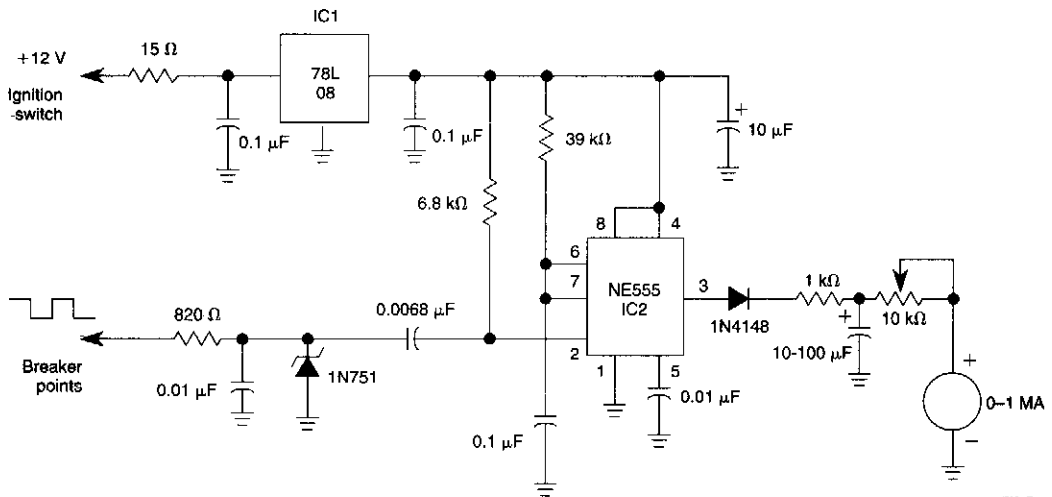


POPULAR ELECTRONICS

FIG. 8-2

This circuit enables single-filament tail lights to serve as combination brake lights and turn signals.

VEHICULAR TACHOMETER CIRCUIT

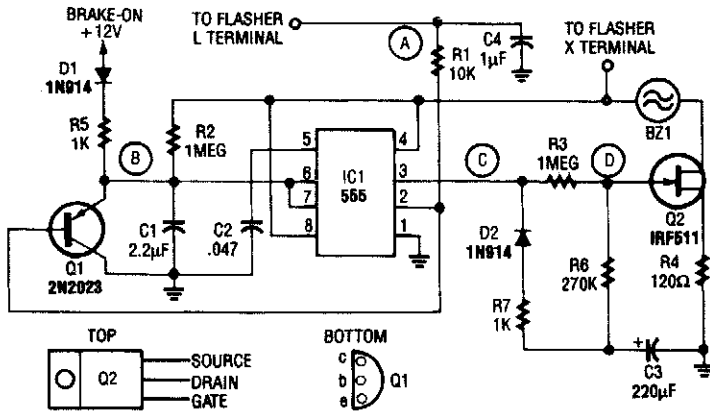


WILLIAM SHEETS

FIG. 8-3

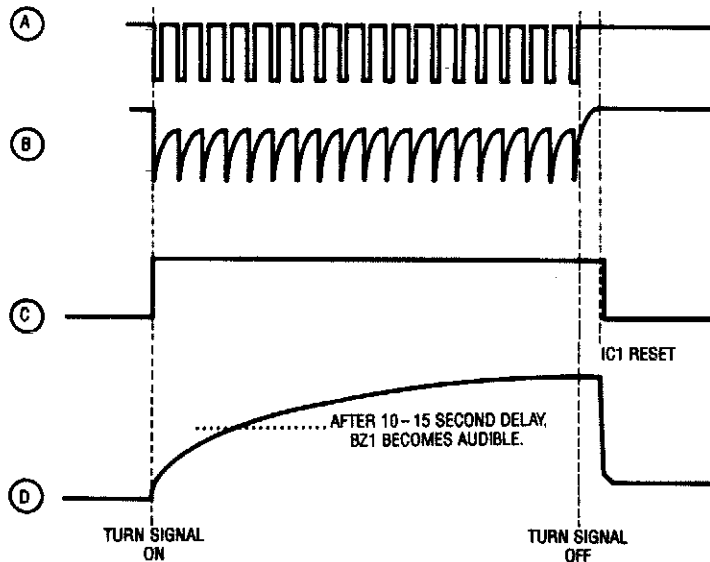
In this automotive application, the 555 is a pulse counter. IC1 regulator provides proper operating voltage for IC2. This circuit is for vehicles with conventional breaker points.

SMART TURN SIGNAL



STS schematic. The Q2 gate voltage increases with the charge on C3. After 15 seconds of charging, the buzzer will warble. As the charging continues, the sound will grow louder.

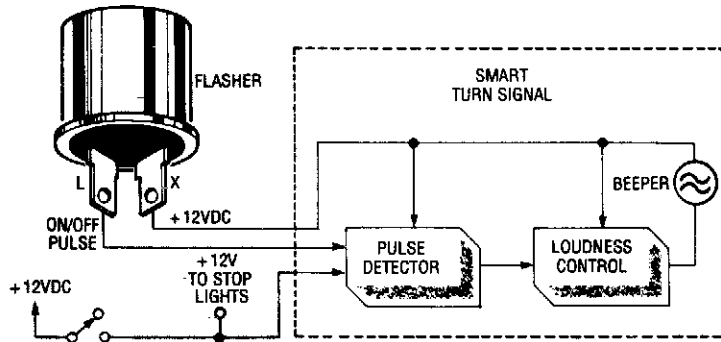
A



Circuit waveforms. Point A shows the signal from the flasher. The voltage at point D will increase as long as the pin-3 output of IC1 (point C) remains high. The C1-R2 time constant (point B) determines how long the output will be high.

B

SMART TURN SIGNAL (Cont.)

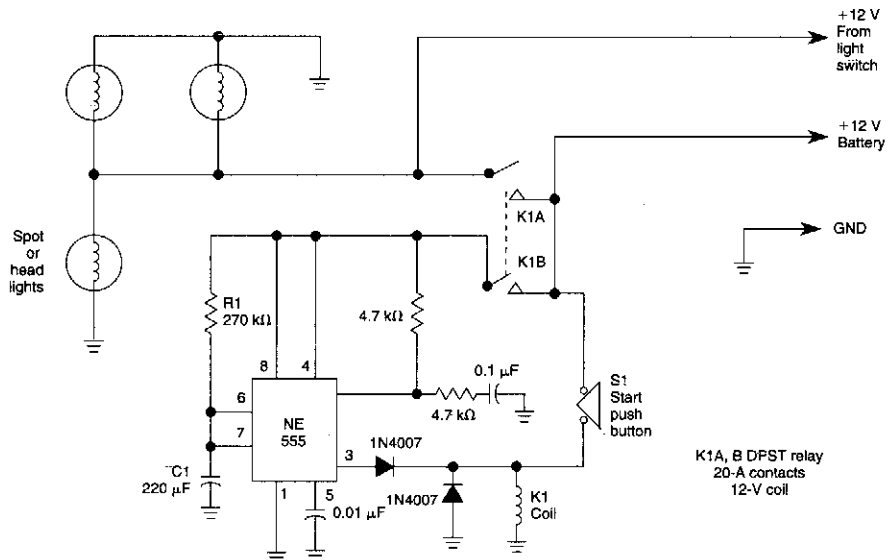


Flasher terminal L connects to the load and X connects to the 12-volt supply. When the driver engages the turn signal, the L terminal voltage varies with the blinking lights. The STS senses the changing voltage and, after 15 seconds, it applies power to a buzzer through a current-limiting device to control loudness.

C

This circuit reminds a driver that his turn signal has been left on for more than 15 seconds. When stopped for a light, the brake-on signal holds the warning off.

MANUAL HEADLIGHT/SPOTLIGHT CONTROL FOR AUTOS

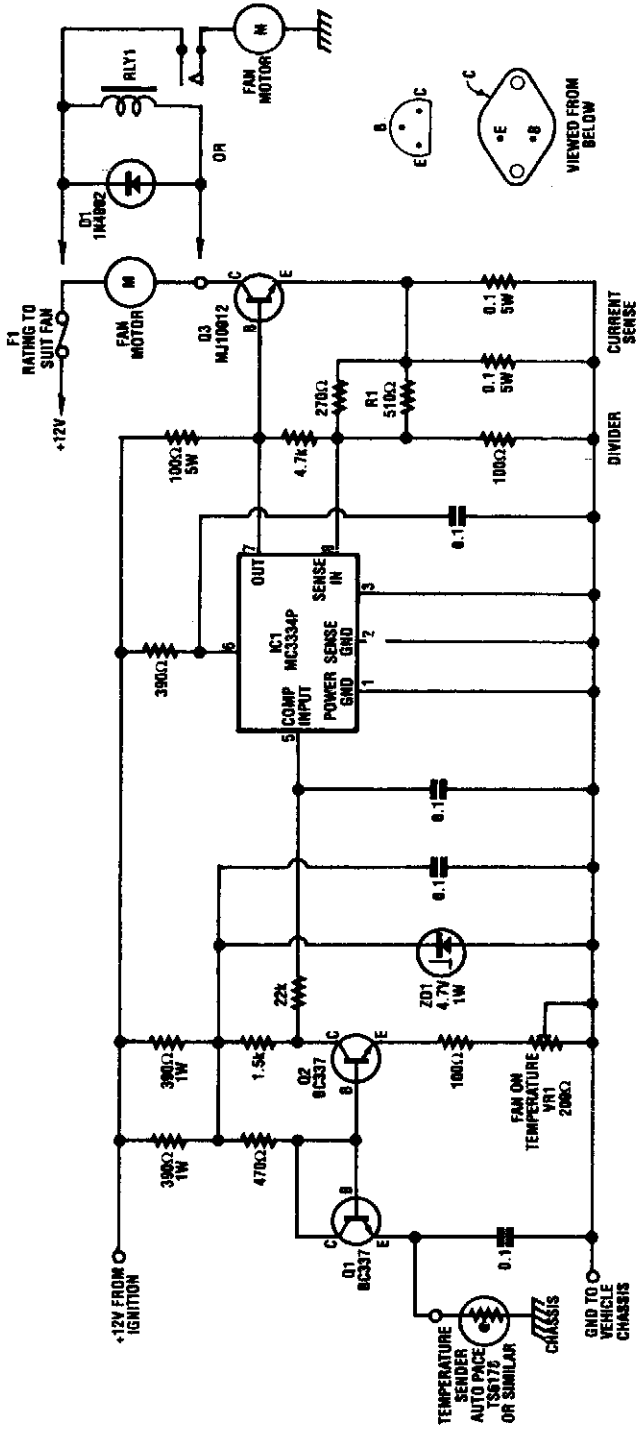


WILLIAM SHEETS

FIG. 8-5

Pressing the START pushbutton turns on either the headlights or spotlights for a predetermined time. After 1 minute (R1 and C1 determine this), the lights will shut off as the NE555 completes its cycle.

THERMOSTAT SWITCH FOR AUTOMOTIVE ELECTRIC FANS

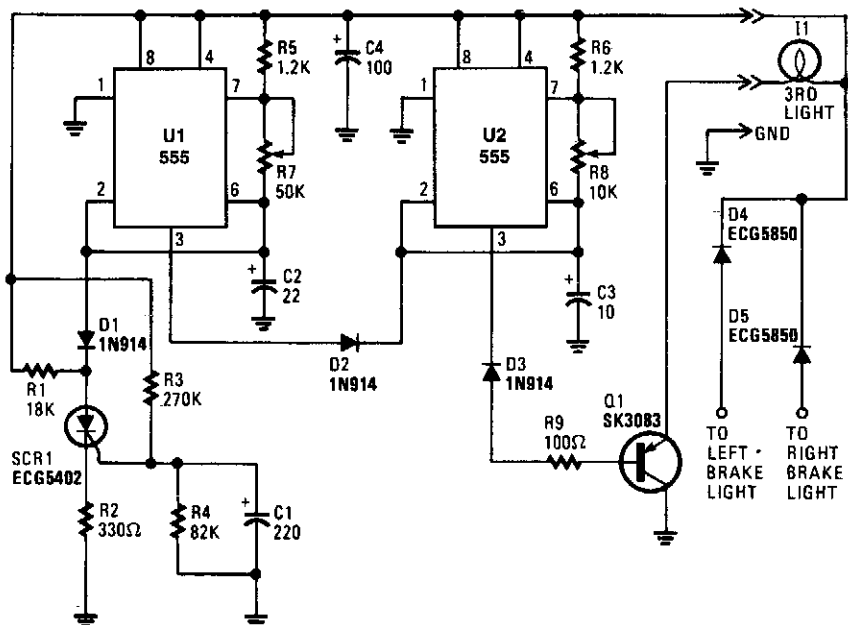


SILICON CHIP

FIG. 8-6

The circuit is based on a commercial temperature sensor (TS6178) and an MC3334P ignition chip. When the radiator temperature increases, the sensor pulls the base of Q2 low via Q1, which is wired as a diode. Q2's collector thus goes high and triggers IC1, which switches its pin 7 output high and turns on the fan motor via Q3.

FLASHING BRAKE LIGHT

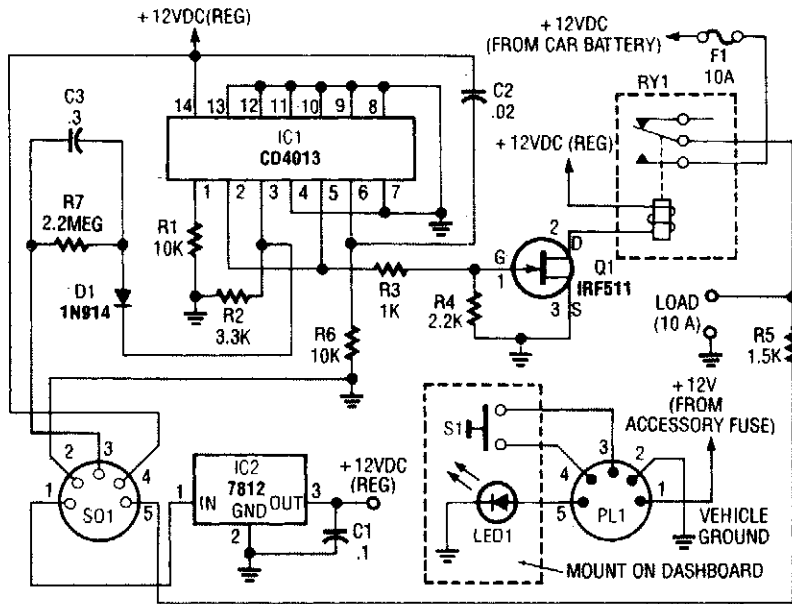


When power is first applied, three things happen: the light-driving transistor (Q1) is switched on because of a low output from U2, pin 3; timer U1 begins its timing cycle, with the output (pin 3) going high, inhibiting U2's trigger (pin 2) via D2; and charge current begins to move through R3 and R4 to C1.

When U1's output goes low, the inhibiting bias on U2 pin 2 is removed, so U2 begins to oscillate, flashing the third light via Q1, at a rate determined by R8, R6, and C3. Oscillation continues until the gate-threshold voltage of SCR1 is reached, causing it to fire and pull U1's trigger (pin 2) low. With its trigger low, U1's output is forced high, disabling U2's triggering. With triggering inhibited, U2's output switches to a low state, which makes Q1 conduct, turning on I1 until the brakes are released. Removing power from the circuits resets SCR1, but the RC network consisting of R4 and C1 will not discharge immediately and will trigger SCR1 earlier. So, frequent brake use means fewer flashes.

Bear in mind that the collector/emitter voltage drop across Q1, along with the loss across the series-fed diodes, reduces the maximum available light output. If the electrical system is functioning properly (at 13 to 14 V for most vehicles), those losses will be negligible.

POWER CONTROLLER (FOR AUTOMOTIVE ACCESSORIES)

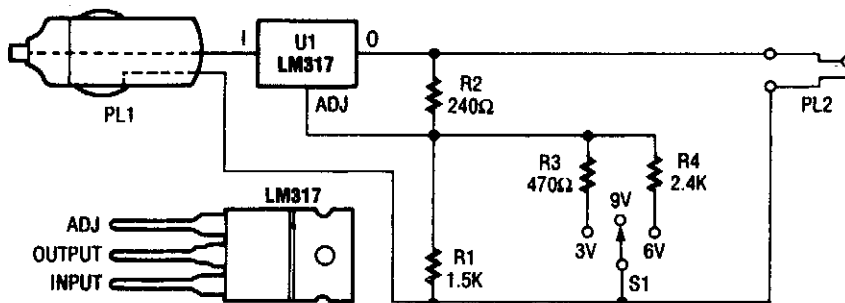


ELECTRONICS NOW

FIG. 8-8

Because the power controller is powered from the vehicle's accessory switch, the load can receive power only when the ignition key is on. Using half of a dual flip-flop (CD4013), a load of up to 10 A is controlled by a momentary pushbutton. This circuit was originally intended for automotive power control, but could have other applications as well.

AUTOMOTIVE POWER ADAPTER FOR dc-OPERATED DEVICES

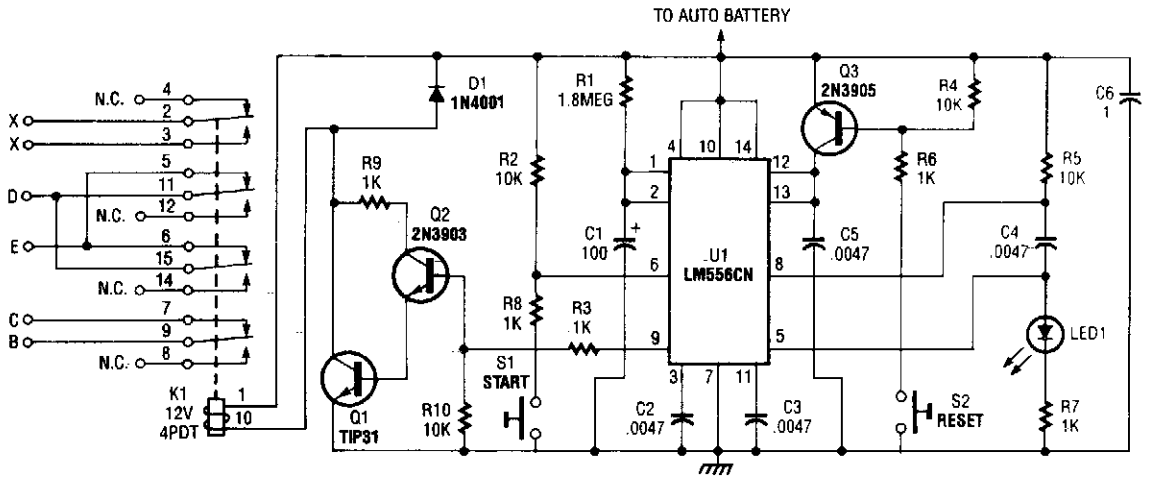


1993 ELECTRONICS HOBBYIST HANDBOOK

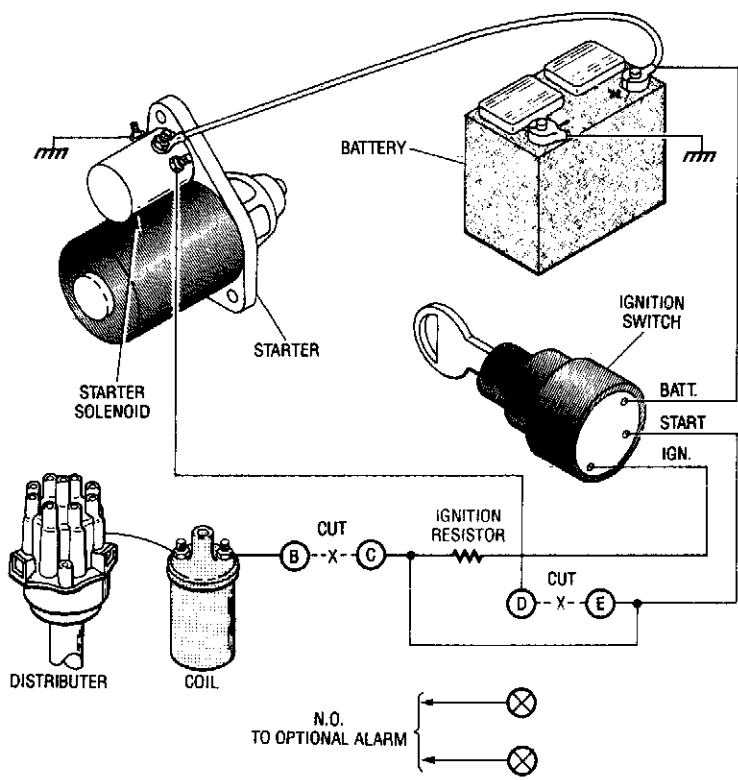
FIG. 8-9

In the schematic diagram for the car-power adapter, note how the value of R_B (which is R1 and S1 in the center position) is changed by putting R3 or R4 in parallel with R1.

TIME-DELAY AUTO-KILL SWITCH



A

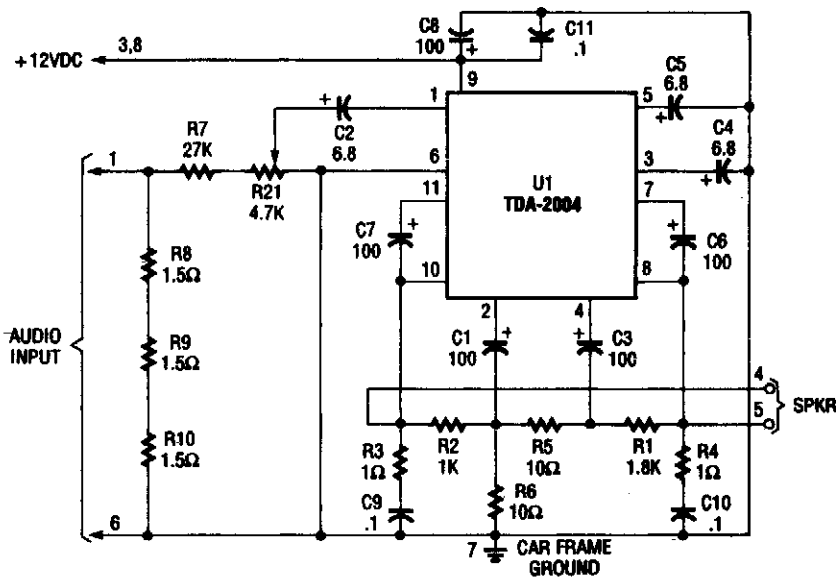


B

TIME-DELAY AUTO-KILL SWITCH (Cont.)

The automobile delayed kill switch is simple in concept. When you get out of your car, a secretly located pushbutton switch is pressed. Nothing apparently happens, but at the end of a predetermined time, a relay is pulled in and locked. When the relay is pulled in, contacts open, and the hot lead from the ignition to the coil and the hot wire from the key switch to the starter solenoid is opened or disconnected. If the engine is running, it stops immediately and the starter will not operate. When you get into the car, another pushbutton switch is pressed and the relay drops out and everything goes back to normal.

BOOSTER AMPLIFIER FOR CAR STEREO USE



1990 PE HOBBYIST HANDBOOK

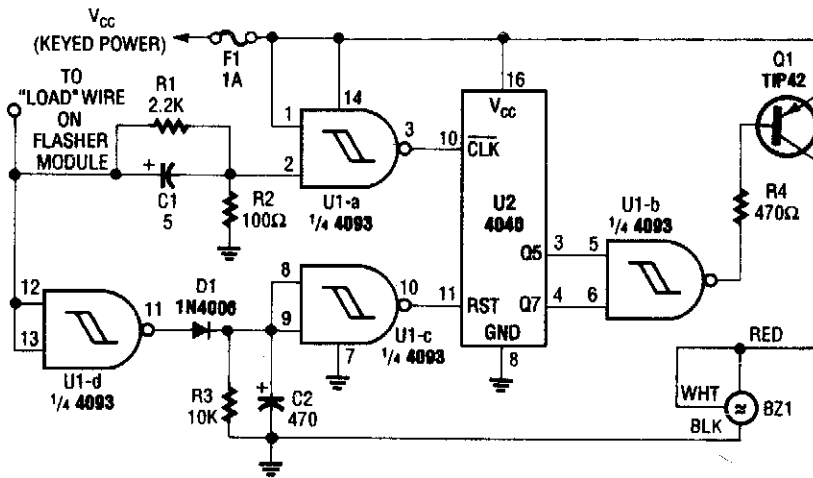
FIG. 8-11

Only one channel of this circuit is shown. The other is practically a carbon copy.

The input to the circuit, taken from your car radio's speaker output, is divided along two paths; in one path, a high-power divider network (consisting of R8 through R10) provides 4.5-Ω resistance to make the circuit's input impedance compatible with the output impedance of the car radio. In the other path, the signal is fed to the input of U1 through resistor R7, trimmer potentiometer R21, and capacitor C2. Together, R7 and R21 offer a minimum resistance of 27,000 Ω.

Integrated circuit U1 (a TDA-2004 audio power amplifier) amplifies the signal, which is then output at pins 8 and 10 and fed to the loudspeaker. Note: This amp is designed for use only with car radios whose speaker outputs are referenced to ground: do not use it with radios that have balanced outputs.

AUTO TURN-SIGNAL REMINDER

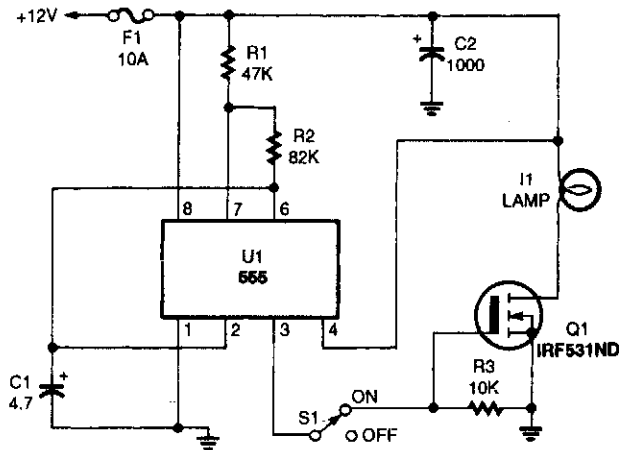


POPULAR ELECTRONICS

FIG. 8-12

This circuit counts turn signal flashes. At the end of about 70 flashes, a chime sounds to remind the driver to turn off the turn signal. By using various taps on U2, the period can be changed if desired. BZ1 is a buzzer or chime module.

HEADLIGHT FLASHER

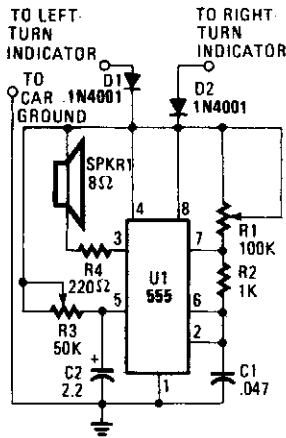


POPULAR ELECTRONICS

FIG. 8-13

The headlight flasher is nothing more than a 555 oscillator/timer that's configured as an astable multivibrator (oscillator). Its input is used to drive the gate of an IRF531IND hexFET, which, in turn, acts like an on/off switch, turning the lamp on and off at the oscillating frequency (1 Hz).

AUTOMOTIVE AUDIBLE-TURN INDICATOR

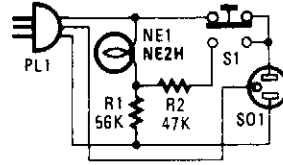


POPULAR ELECTRONICS

FIG. 8-14

This little circuit should be useful to the hearing impaired. It produces a tone each time a dashboard turn indicator lights. The tone drops in frequency for as long as the indicator is lit.

ENGINE BLOCK HEATER MINDER

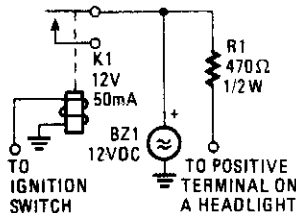


POPULAR ELECTRONICS

FIG. 8-15

If you live in the frozen north, knowing your engine-block heater is working is a comfort. This device will let you know if yours is okay. Plug in PL1 to your power outlet. NE1 should light. Then, plug in the block heater. Depressing S1 should cause the indicator to get brighter. If not, your block heater might be open and inoperative.

HEADLIGHTS-ON REMINDER

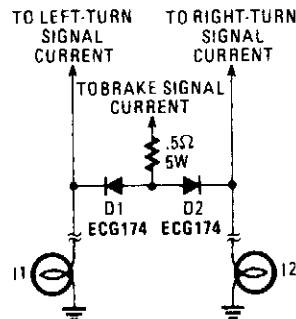


POPULAR ELECTRONICS

FIG. 8-16

This circuit will sound alarm BZ1 if the ignition is turned off with the headlights on.

BRAKE AND TURN INDICATOR

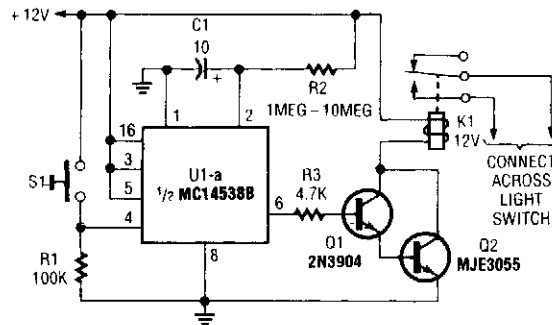


POPULAR ELECTRONICS

FIG. 8-17

This might be a quick solution to getting the two-wire truck harness to support both turn and braking indications.

LAMP-SWITCHING CIRCUIT



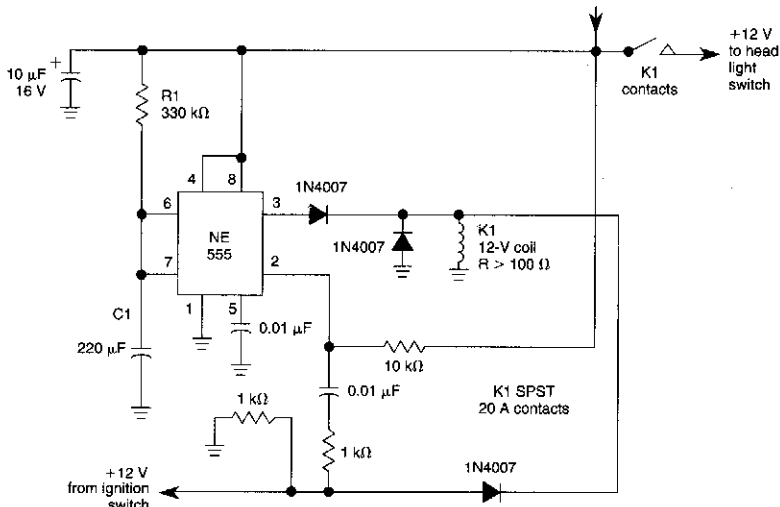
POPULAR ELECTRONICS

FIG. 8-18

A normally open pushbutton switch (S1) delivers a positive input pulse to pin 4 of U1, triggering the IC into action. The output of U1 at pin 6 supplies base-drive current to a Darlington pair comprised of Q1 and Q2, activating K1. A 10-μF capacitor and any resistor value of from 1 to 10 MΩ can be used as the timing components.

To use the circuit on an auto's headlights, connect the relay's normally open contacts across the car's headlight switch and press S1 to extend the on time. In connecting the circuit to control an ac-operated lamp, turn off the ac power and connect the relay contacts in parallel with the lamp's power switch contacts.

AUTOMATIC TURN-OFF CONTROL FOR AUTOMOBILES

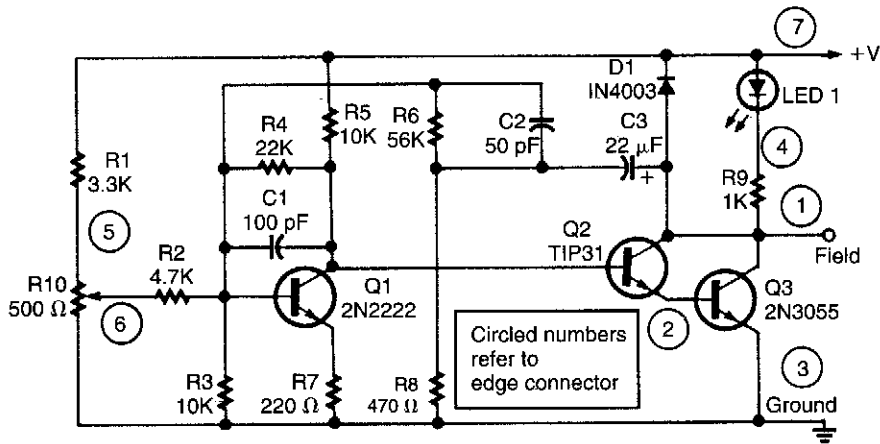


WILLIAM SHEETS

FIG. 8-19

When the ignition switch is on, relay K1 is energized continuously, and the headlights can be turned on. Turning off the ignition turns on timer IC1, which keeps IC1 energized for a time determined by R1 and C1. With the values shown approximately a 1 minute delay will result. The values of R1 or C1 can be changed to vary this delay time.

ALTERNATOR REGULATOR

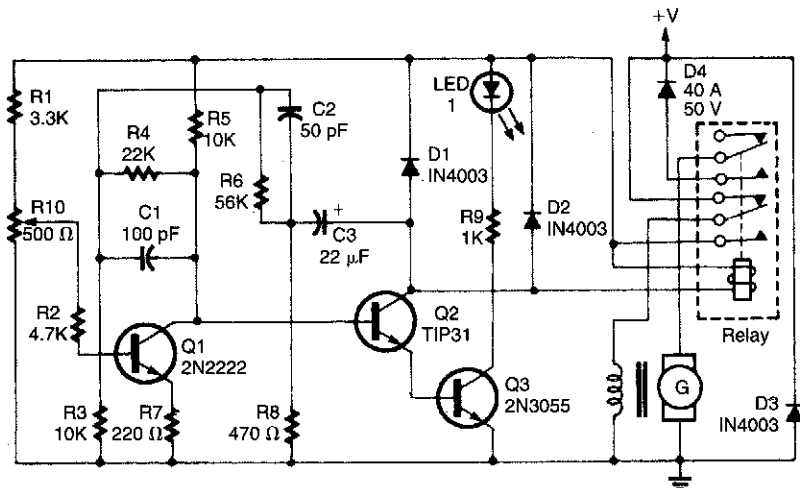


RADIO-ELECTRONICS

FIG. 8-20

This alternator regulator uses a 3-transistor dc amplifier, and is designed for a "pulled up" field system, where one side of the alternate field returns to the +12-V supply, and the other end is pulled toward ground. The circuit monitors the state of the battery through a resistive divider and causes the voltage to change at the field terminal.

AUTO GENERATOR REGULATOR

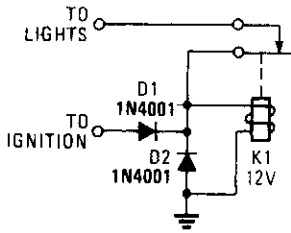


RADIO-ELECTRONICS

FIG. 8-21

This regulator is for the purpose of controlling a dc generator. The field configuration is that one side of the field is grounded. D4 prevents the battery from discharging through the generator and takes the place of the mechanical cut-out relay. R10 adjusts the system voltage setting.

LIGHTS-ON REMINDER

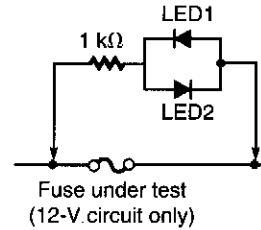


POPULAR ELECTRONICS

FIG. 8-22

A relay and two diodes are all that is needed—the relay performs the job of a buzzer so no annunciator is required. When the lights are left on, but the ignition is off, the normally closed relay contacts are in series with the relay coil. That means the relay interrupts its own power each time it becomes active, so it chatters and acts like a buzzer. This is a real minimalistic headlight reminder. It doesn't even require an annunciator because the relay acts as buzzer.

AUTO FUSE MONITOR

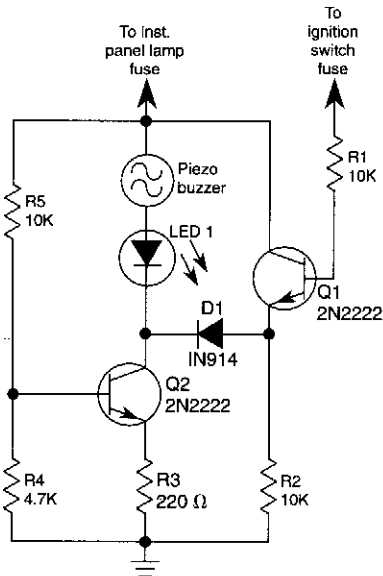


WILLIAM SHEETS

FIG. 8-23

This circuit can quickly check a fuse in an automobile circuit. Connect across suspected fuse—either LED glows, fuse is blown. The circuit must be live for this test to work.

HEADLIGHT ALARM



1989 R-E EXPERIMENTERS HANDBOOK

FIG. 8-24

The base of Q1 is connected to the car's ignition circuit; the easiest point to make that connection is at the ignition switch fuse in the car's fuse panel. Also, one side of the piezoelectric buzzer is connected to the instrument-panel light fuse; when the headlights or parking lights are on, the instrument panel is lit, too. When the headlights are off, no current reaches the buzzer. Therefore, nothing happens. What happens when the headlights are on depends on the state of the ignition switch. When the ignition switch is on, transistors Q1 and Q2 are biased on, effectively removing the buzzer and the LED from the circuit.

When the ignition switch is turned off, but the headlight switch remains on, transistor Q1 is turned off, but transistor Q2 continues to be biased on. The result is that the voltage across the piezoelectric buzzer and the LED is sufficient to cause the buzzer to sound loudly and the LED to light.

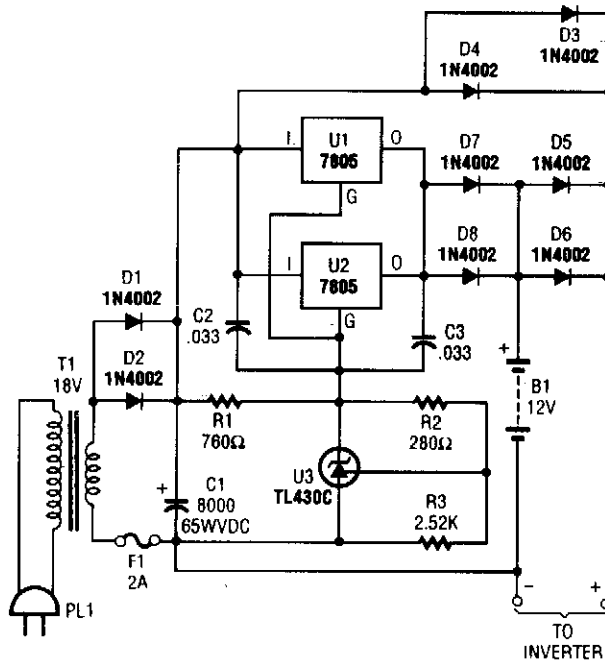
9

Battery Charger Circuits

The sources of the following circuits are contained in the Sources section, which begins on page 675. The figure number in the box of each circuit correlates to the entry in the Sources section.

- Lead-Acid Trickle Charger
- RF-Type Battery Charger
- Battery Charger
- Solar-Powered Battery Charger
- Intelligent Battery-Charging Circuit

LEAD-ACID TRICKLE CHARGER



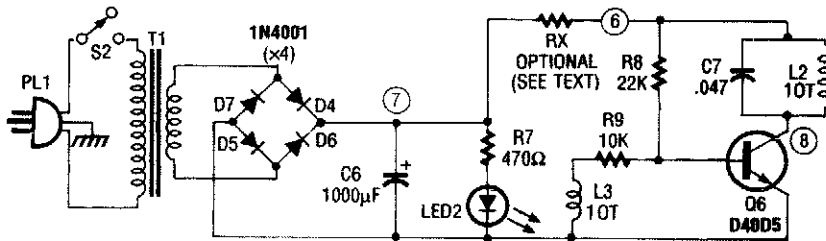
POPULAR ELECTRONICS

FIG. 9-1

The charger can be used as a stand-alone charger or for emergency lighting and burglar alarm systems using lead-acid batteries.

RF-TYPE BATTERY CHARGER

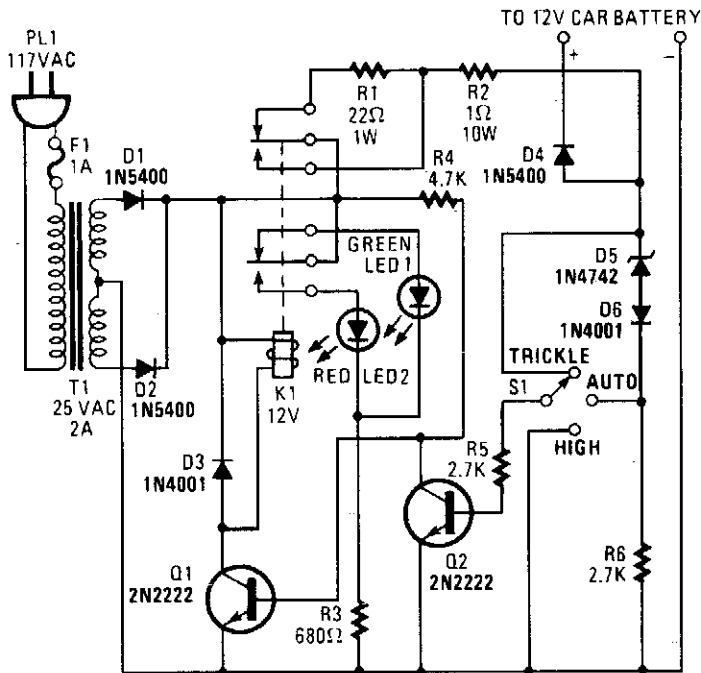
This type of charger couples RF from L2 to an external pickup coil. The pickup coil connects to a rectifier and battery to be charged. This idea is handy because no wire or contacts are required. L2 is 10T #24 wire and L3 is 10T #30 wire. Both coils are mounted on a 1" × ¼" ferrite rod.



1992 R-E EXPERIMENTERS HANDBOOK

FIG. 9-2

BATTERY CHARGER

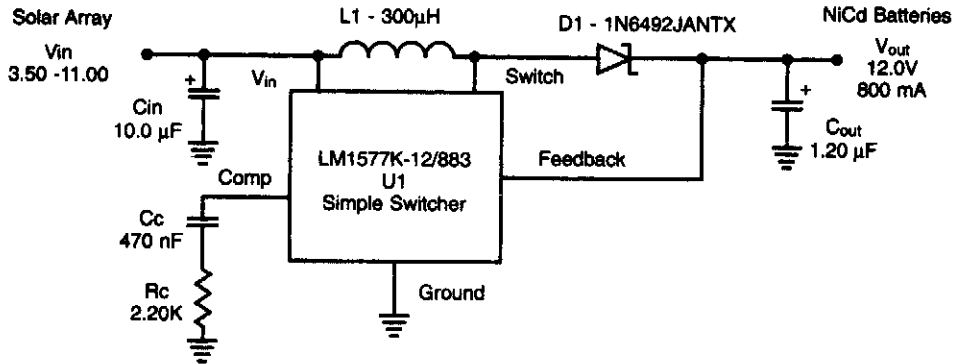


The circuit is capable of supplying either a trickle (50 mA) or high-current (1-A) charge. You can select either charging method or an automatic mode that will first trickle charge a battery if it is particularly low before switching to high-current charging.

If the battery's voltage is low, Zener-diode D5 will not conduct sufficient current to produce a voltage drop across R6 to turn Q2 on. With Q2 off, R4 pulls the base of Q1 high, turning it on. That activates K1. With K1 active, the only thing between the battery and the power supply is R2 and D4 (which prevents current from flowing through the circuit from the battery).

Once the battery charges a bit, the current through D5 increases, causing a voltage drop across R6 that is of sufficient magnitude to turn on Q2. Transistor Q2, in turn, grounds the base of Q1, keeping it off. With Q1 off, K1 remains in its normally closed state. That places R1 in series with the battery, thereby reducing the current to a trickle.

SOLAR-POWERED BATTERY CHARGER

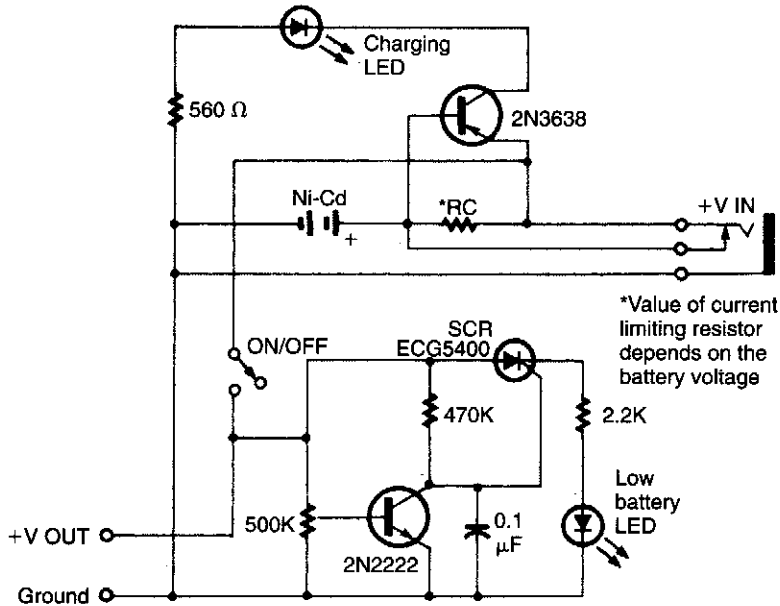


NATIONAL SEMICONDUCTOR

FIG. 9-4

A National Semiconductor LM1577 IC is used in a step-up regulator to charge Nicad batteries from a solar panel.

INTELLIGENT BATTERY-CHARGING CIRCUIT



RADIO-ELECTRONICS

FIG. 9-5

Intended for a Nicad application this charging circuit can be used with a wide range of batteries. A low-battery detector is intended. The trip voltage is set via the 500-kΩ pot. Select R_C for the battery you intend to use.

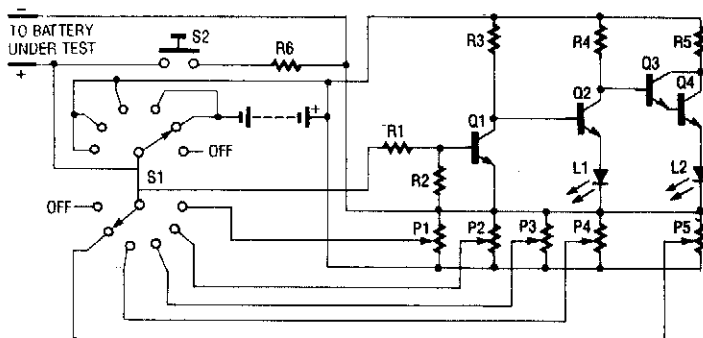
10

Battery Test and Monitor Circuits

The sources of the following circuits are contained in the Sources section, which begins on page 675. The figure number in the box of each circuit correlates to the entry in the Sources section.

- Battery Tester
- Car Battery Tester for Cranking Amps
- Supply Voltage Monitor
- Battery Watchdog
- Battery Test Circuit
- Battery Voltage Monitor
- Battery Saver Circuit
- 0–2-A Battery Current Monitor with Digital Output
- Car Battery and Alternator Monitor
- Relay Fuse for Battery Charges
- Bargraph LED Battery Tester

BATTERY TESTER



1991 PE HOBBYIST HANDBOOK

FIG. 10-1

The battery tester uses four transistors and two LEDs to indicate the condition of any battery you want to test. Q3 and Q4 are connected in a Darlington configuration that has extremely high gain. LED L2 lights when a small positive potential appears on the base of Q3. Transistors Q1 and Q2 form a direct-coupled dc-amplifier circuit. The output of this stage drives the red LED L1. Rotary switch S1 is used to select different ranges (which have been previously set by adjusting trimmer resistors P1 through P5).

The positive (+) lead goes through the selected contacts of S1 to the biasing resistors R3, R4, and R5. The negative (-) lead of the battery under test goes to the ground or common lead of the circuit and the (+) side to one side of P1 through P5.

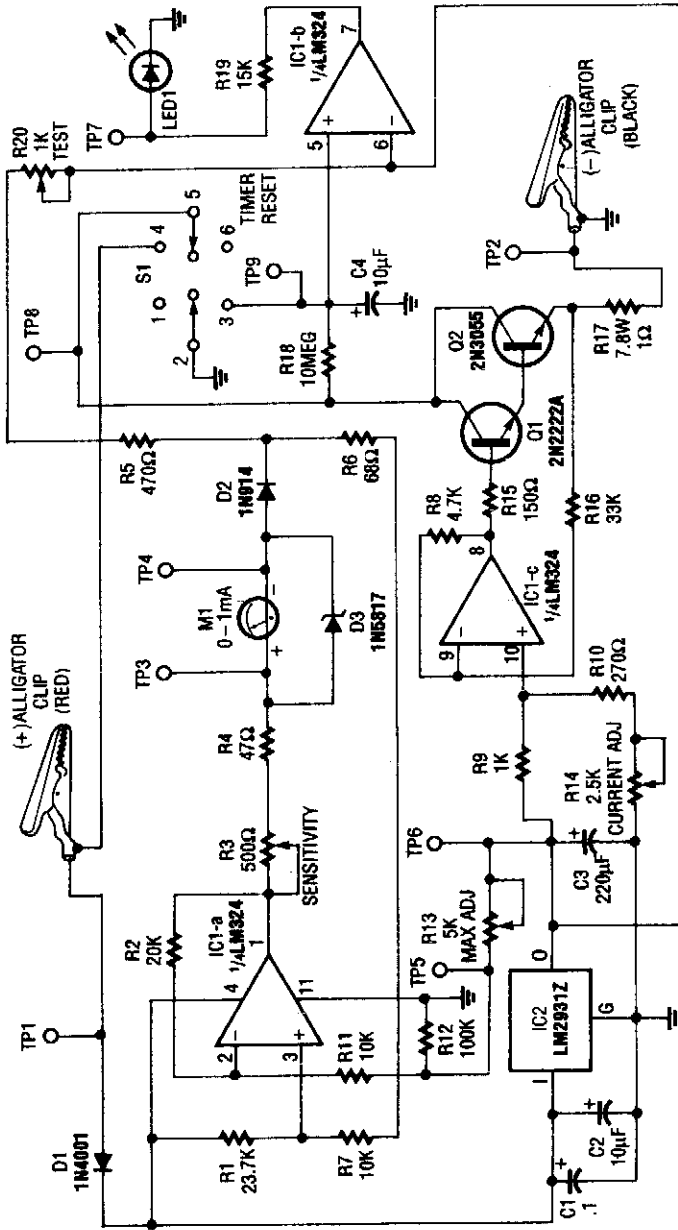
L1	Red LED
L2	Green LED
P1 through P5	5-k Ω trimmer resistor
R1	100 k Ω
R2, R3	33 k Ω
R4, R5	470 Ω
R6	12 Ω 1 W
S1	2 P6 position NS rotary switch
S2	NO pushbutton switch

Depending on the position of S1, a particular trimmer resistor (wiper lead) is selected. That lead goes through the contact on S1 to resistor R1 and into the base of npn transistor Q1. If the battery is good enough, (+) voltage goes to the base of Q1, turning it on. This turns Q2 off, which then allows Q3 to turn on. That causes Q4 to turn on and light green LED L2.

If the battery is weak, Q1 will not turn on, which will cause Q2 to be biased on by R3, which in turn lights red LED L1. When Q1 is on, it biases the base of Q3 negative, and causes Q3 to be turned off. That prevents L2 from turning on.

The circuit operates in the same manner for all ranges except the first two, where a 9-V battery has been added by S1 to be in series with the input voltage to allow for testing of very low voltage batteries. That is because at voltages below 2 Vdc, LEDs will not light and the circuit would be unable to set a low-voltage (<2-V) battery without the additional internal-battery voltage. A load resistor has also been included; it allows the battery under test to be connected to a load to give a better indication of its condition. That load resistor is connected across the battery when normally open (NO) switch S2 is depressed.

CAR BATTERY TESTER FOR CRANKING AMPS

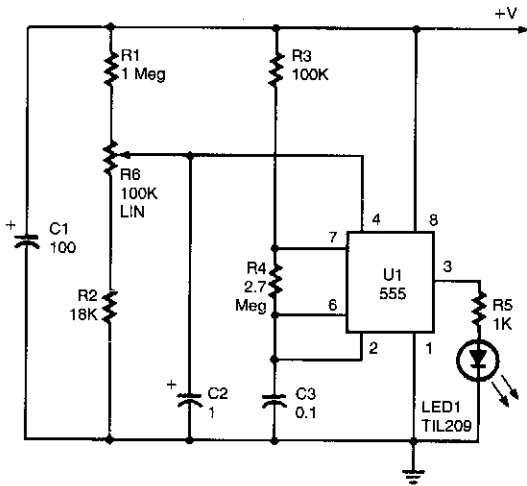


ELECTRONICS NOW

FIG. 10-2

This circuit determines the cold cranking amps of a battery by first discharging the surface charge, then checking the internal resistance. This gives a more realistic measurement than simply measuring the instantaneous drop in voltage with a load. A constant-current source draws 2.5 A. Then, after one minute, a voltage drop measurement is made under load.

SUPPLY VOLTAGE MONITOR

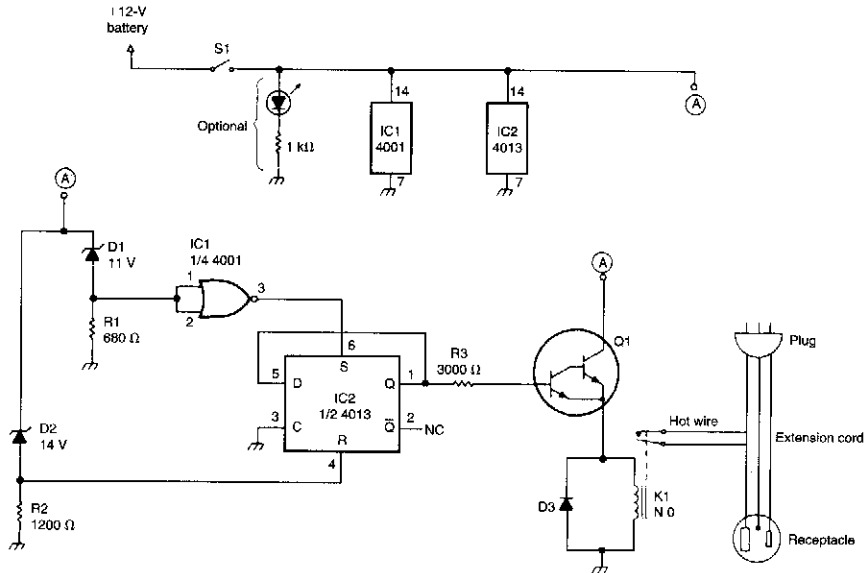


When supply voltage exceeds a preset level, the 555 oscillates, and flashes LED1. The flash rate is controlled by varying C3.

POPULAR ELECTRONICS

FIG. 10-3

BATTERY WATCHDOG

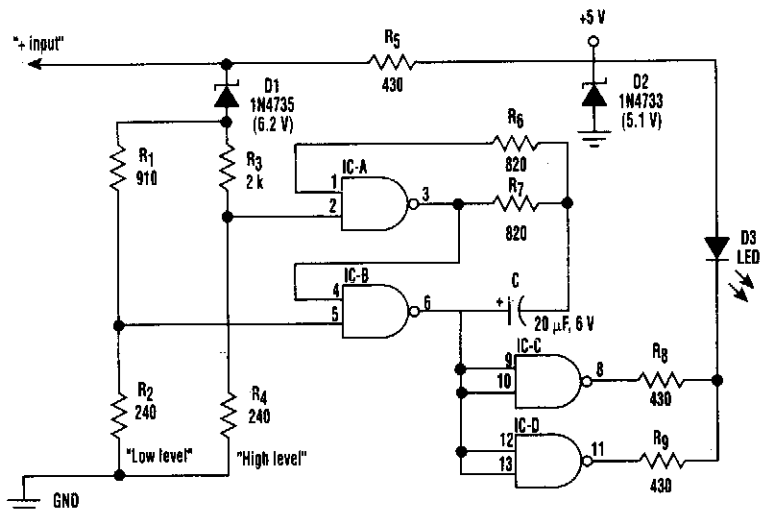


73 AMATEUR RADIO TODAY

FIG. 10-4

This circuit uses a pair of Zener diodes to monitor battery voltage of a 12-V battery. If below 11 V, D1 ceases to conduct, pin 3 of IC2 goes high, setting FF IC2 turning on Q1, K1, and the battery charger. At excess of 14-V-battery voltage (full charge), D2 conducts, resetting FF IC2, and cutting off the battery charger.

BATTERY TEST CIRCUIT

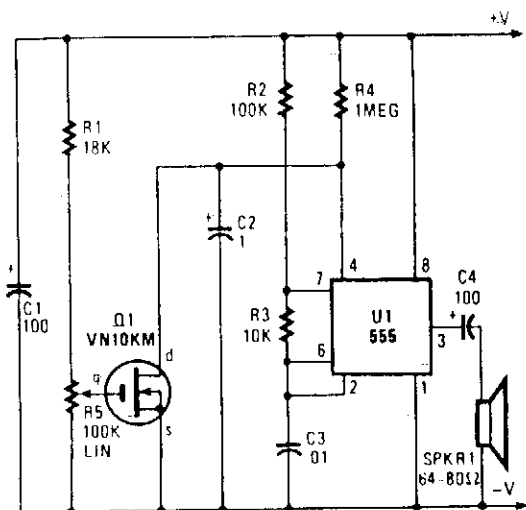


ELECTRONIC DESIGN

FIG. 10-5

Using this circuit, three levels of voltage can be displayed—normal (11 to 15 V), high (>15 V), and low (<11 V). When the voltage is low, the LED glows steadily. In the normal range, the LED is off. When the voltage is high, the LED blinks at a 1-Hz rate. This circuit is useful for assuring proper electrical system operation.

BATTERY VOLTAGE MONITOR

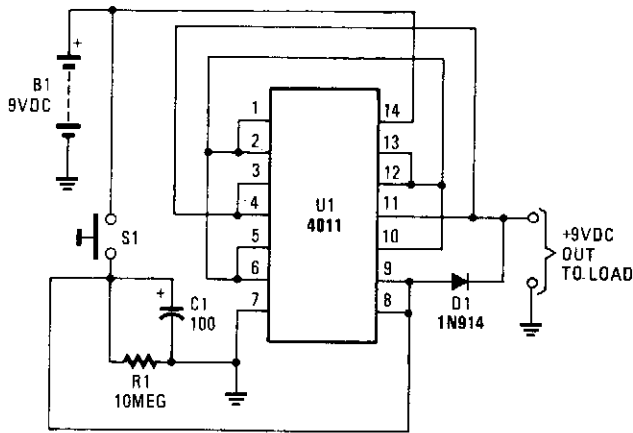


When battery voltage goes low, pin 4 of U1 goes high as Q1 fails to conduct. This activates oscillator U1 and generates audio tone. R5 sets level at which the circuit activates.

POPULAR ELECTRONICS

FIG. 10-6

BATTERY SAVER CIRCUIT



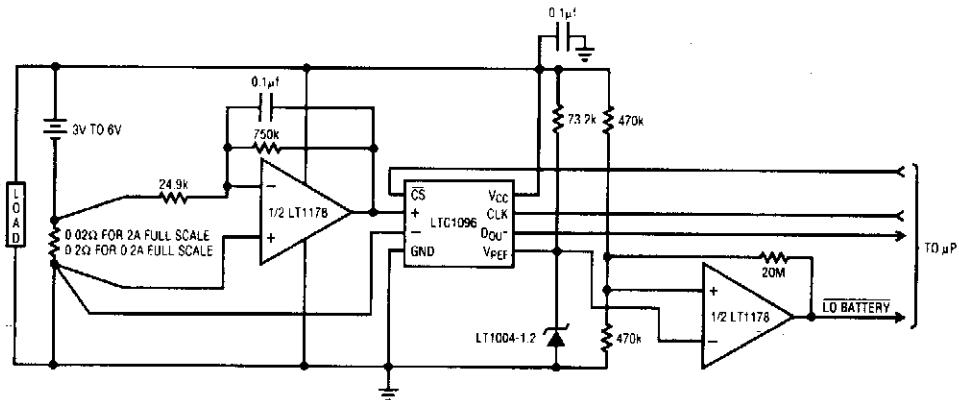
POPULAR ELECTRONICS

FIG. 10-7

This battery saver circuit can automatically turn off a small piece of test equipment after a desired period of time, allowing you to leave your shop worry free.

This circuit uses a CD4011 IC to act as a simple timer. One section acts as an RC discharge timer (pin 7). This causes its output to go low, holding the three other outputs high acting as a 9-V source. After C1/R1 discharges approximately 10 minutes, the output drops to zero. S1 resets the circuit.

0-2-A BATTERY CURRENT MONITOR WITH DIGITAL OUTPUT

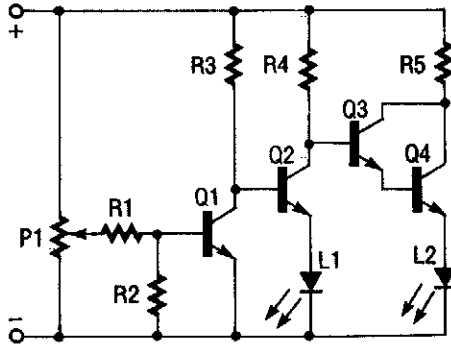


LINEAR TECHNOLOGY

FIG. 10-8

IC devices by Linear Technology make up this current monitor circuit. Drain is only 70μA from a 3- to 6-V battery.

CAR BATTERY AND ALTERNATOR MONITOR



L1	Red LED
L2	Green LED
P1	2.5-k Ω trimmer resistor
Q1-Q4	2N3904 transistor
R1	100-k Ω resistor
R2, R3	33-k Ω resistor
R4, R5	470- Ω resistor
Misc.	PC board, wire

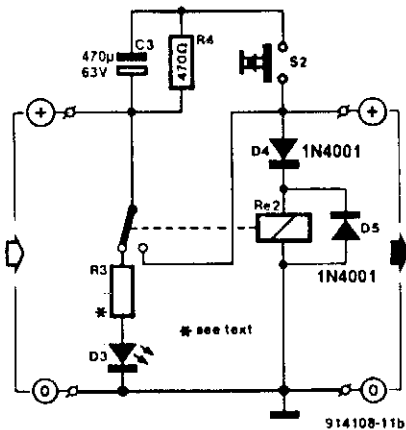
1991 PE HOBBYIST HANDBOOK

FIG. 10-9

The monitor is a simple voltage comparator in which a car battery serves as the battery for operation. The input voltage to the comparator is set by adjustment potentiometer P1, which must be adjusted so that the green LED L2 is on when the alternator is operating properly and red LED L1 is on when the alternator is inoperative.

The circuit operates as follows: When the alternator operates properly, the battery voltage is higher and P1 is set so that transistor Q1 causes Q2 to be off. That results in Q3 and Q4 being fully on, thus applying current to green LED L2. If the battery voltage is lowered (alternator inoperative), transistor Q1 is turned off. That allows transistor Q2 to turn fully on, applying current to red LED L1, indicating trouble. Once Q2 is on, it causes Q3 and Q4 to go out of conduction.

RELAY FUSE FOR BATTERY CHARGES

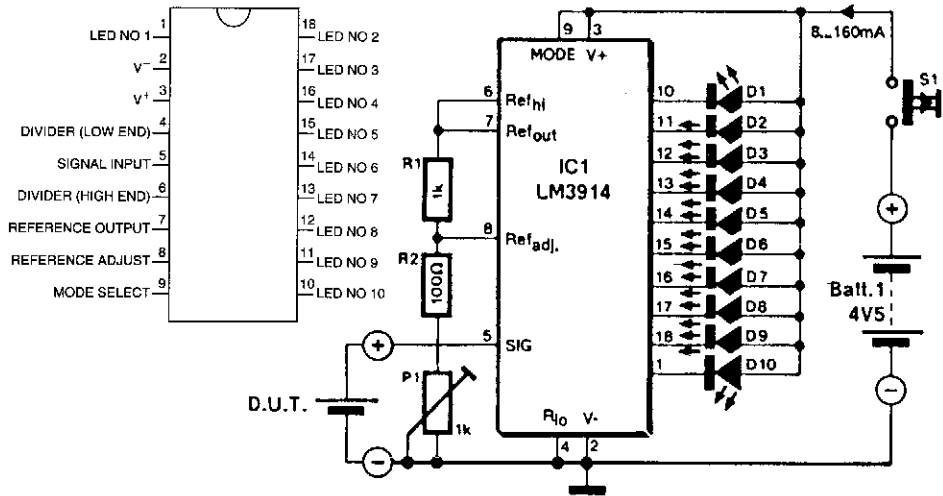


Charged capacitor C3 and momentary push-button switch S2 are used to momentarily energize relay RE2. The battery under charge energizes the relay to hold it closed. S2 will energize the relay even if the battery is too far discharged initially to energize it.

ELEKTOR ELECTRONICS

FIG. 10-10

BARGRAPH LED BATTERY TESTER



ELEKTOR ELECTRONICS USA

FIG. 10-11

The LM3914A bargraph LED is used here as a voltmeter for battery testing. The circuit is powered by a 4.5-V battery and compares the battery under test with an internally derived reference, set by R1/R2/P1. Each LED of the 10 represent 10% of full scale. For best results, the battery (D.U.T.) should be loaded with an appropriate resistor.

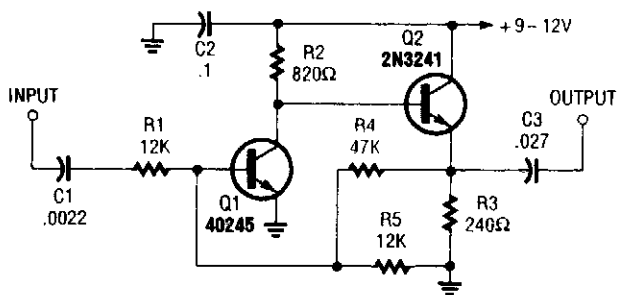
11

Buffer Circuits

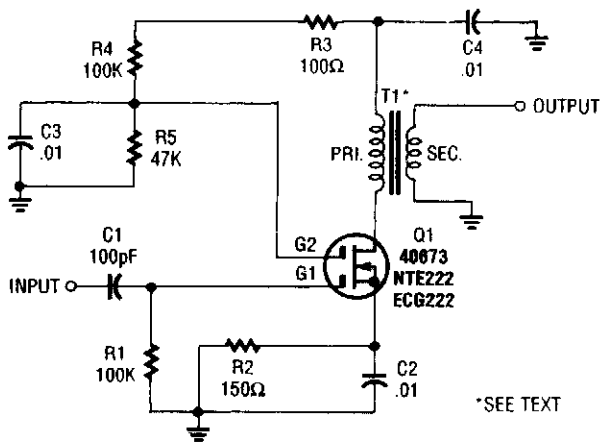
The sources of the following circuits are contained in the Sources section, which begins on page 675. The figure number in the box of each circuit correlates to the entry in the Sources section.

Buffer/Amplifiers
High Current Buffer
VFO Buffer Amplifier
MOSFET Buffer Amplifier
3-V Rail-to-Rail Single-Supply Buffer
Simple Video Buffer
Low-Offset Simple Video Buffer

BUFFER/AMPLIFIERS



A

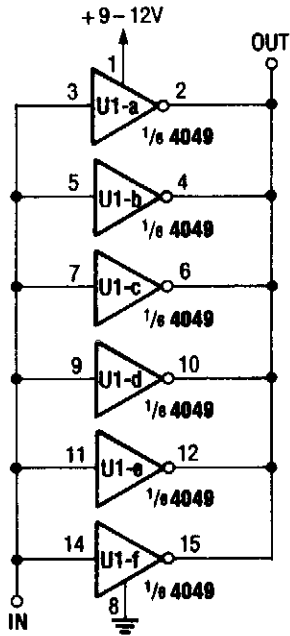


B

*SEE TEXT

These two buffer/amplifiers that have been successfully used with VFOs: one (shown in A) is based on a pair of bipolar npn transistors, and the other (shown in B) is built around a dual-gate MOSFET.

HIGH CURRENT BUFFER

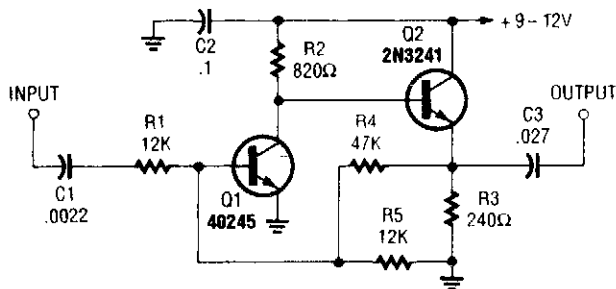


By parallel connecting all six gates of this 4049 hex inverting buffer, you can obtain a much higher output current than would otherwise be available.

POPULAR ELECTRONICS

FIG. 11-2

VFO BUFFER AMPLIFIER

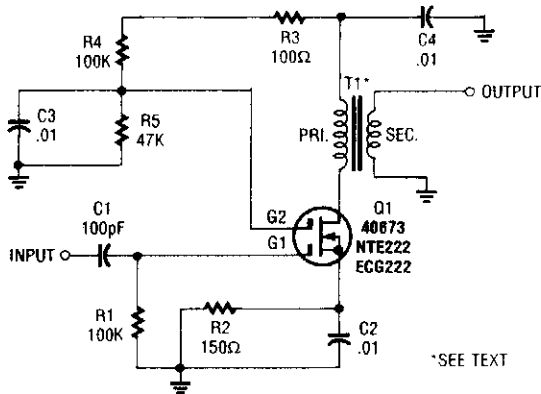


POPULAR ELECTRONICS

FIG. 11-3

A two-transistor feedback pair provides broadband operation. The gain is approximately R_4/R_1 .

MOSFET BUFFER AMPLIFIER

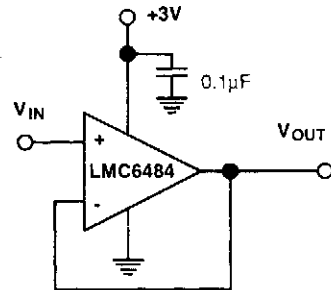


POPULAR ELECTRONICS

FIG. 11-4

A MOSFET is used as a wideband buffer amplifier. T1 is wound on a toroid of approximately 1/2" diameter, with material suitable for frequency (usually 1- to 20-MHz range). The turns ratio should be about 4:1 depending on load impedance. Typically, at 4 MHz, there are 18 turns on the primary, 4 turns on the secondary, and the stage gain is about 14-dB voltage ($Z_L = 50 \Omega$).

3-V RAIL-TO-RAIL SINGLE-SUPPLY BUFFER

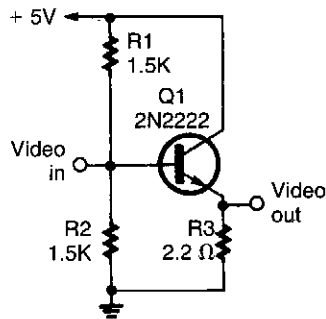


NATIONAL SEMICONDUCTOR

FIG. 11-5

The LMC6484 provides a 3-V p-p rail-to-rail buffer with a +3-V supply commonly used for logic systems.

SIMPLE VIDEO BUFFER

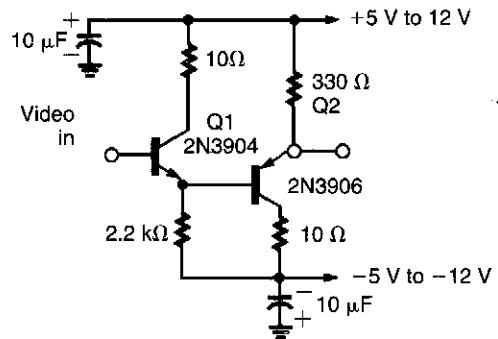


ELECTRONICS NOW

FIG. 11-6

This simple emitter follower can be used as a video buffer.

LOW-OFFSET SIMPLE VIDEO BUFFER



WILLIAM SHEETS

FIG. 11-7

This circuit has proved to be an effective video buffer and will easily drive a 75- Ω load to 1.5-V p-p output. BW is better than 20 MHz and there is less than 0.05-V dc offset, which is the difference in V_{BE} of Q1 and Q2. The supply lines should be well bypassed, ± 5 V or more.

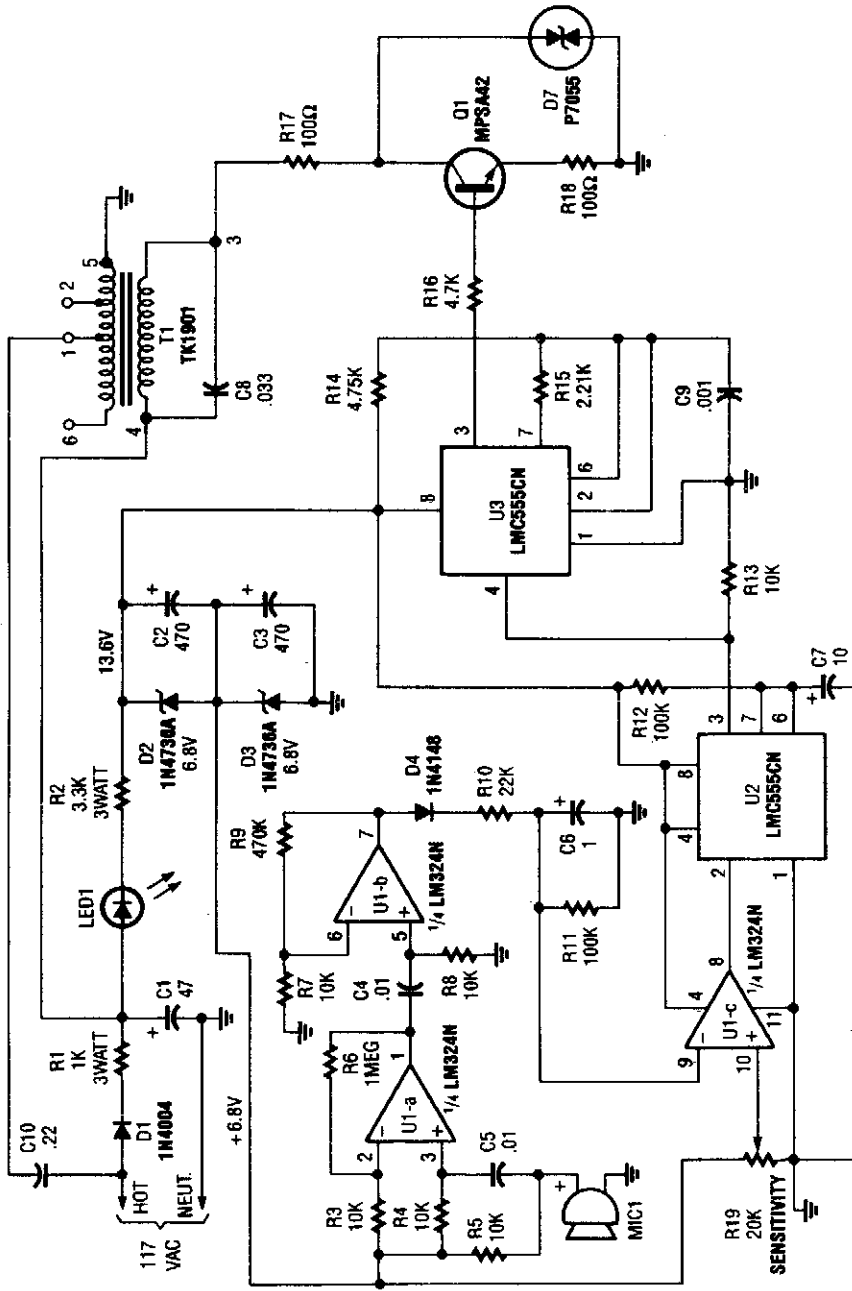
12

Carrier-Current Circuits

The sources of the following circuits are contained in the Sources section, which begins on page 675. The figure number in the box of each circuit correlates to the entry in the Sources section.

Carrier-Current Baby-Alert Transmitter
Carrier-Current Baby-Alert Receiver

CARRIER-CURRENT BABY-ALERT TRANSMITTER

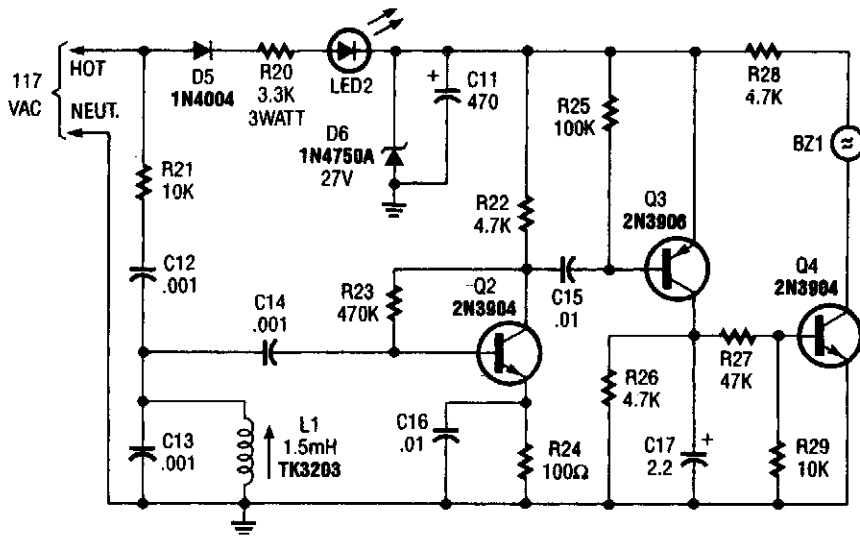


1993 ELECTRONICS HOBBYIST HANDBOOK

FIG. 12-1

The baby-alert transmitter is built around an LM324 quad op amp (U1), two LMC555CM CMOS oscillator/timers (U2 and U3), and a few support components. The transmitter sends a signal on receipt of a sound at MIC1. It has a frequency of around 125 kHz and can be used to trigger an alarm receiver.

CARRIER-CURRENT BABY-ALERT RECEIVER



1993 ELECTRONICS HOBBYIST HANDBOOK

FIG. 12-2

The baby-alert receiver is comprised of three transistors: Q2, which is configured as a high-gain linear amplifier; Q3, which serves as both an amplifier and detector; and Q4, which is essentially used as a switch; and a few additional components. It sounds an alarm BZ1 on receipt of a 125-kHz signal from an alarm transmitter via the 120-V power lines.

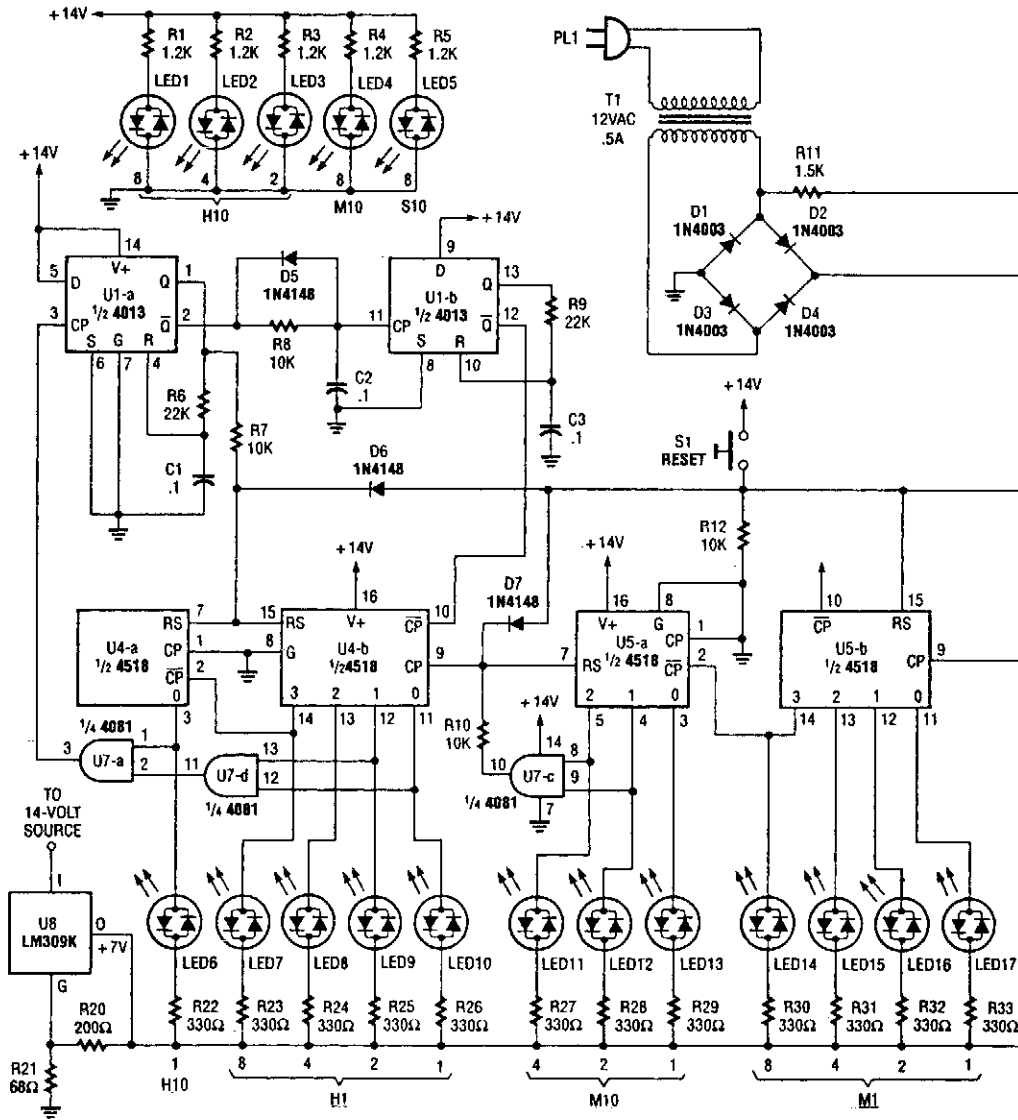
13

Clock Circuit

The source of the following circuit is contained in the Sources section, which begins on page 675. The figure number in the box of the circuit correlates to the entry in the Sources section.

Binary Clock

BINARY CLOCK



1992 PE HOBBYIST HANDBOOK

This circuit is an unusual clock in that the LEDs are bi-color red/green displays that indicate the time in binary coded decimal form.

- LEDs 21 through 24 read out seconds
- LEDs 5, 18, 19, and 20 read out 105 seconds
- LEDs 14 through 17 read out in minutes

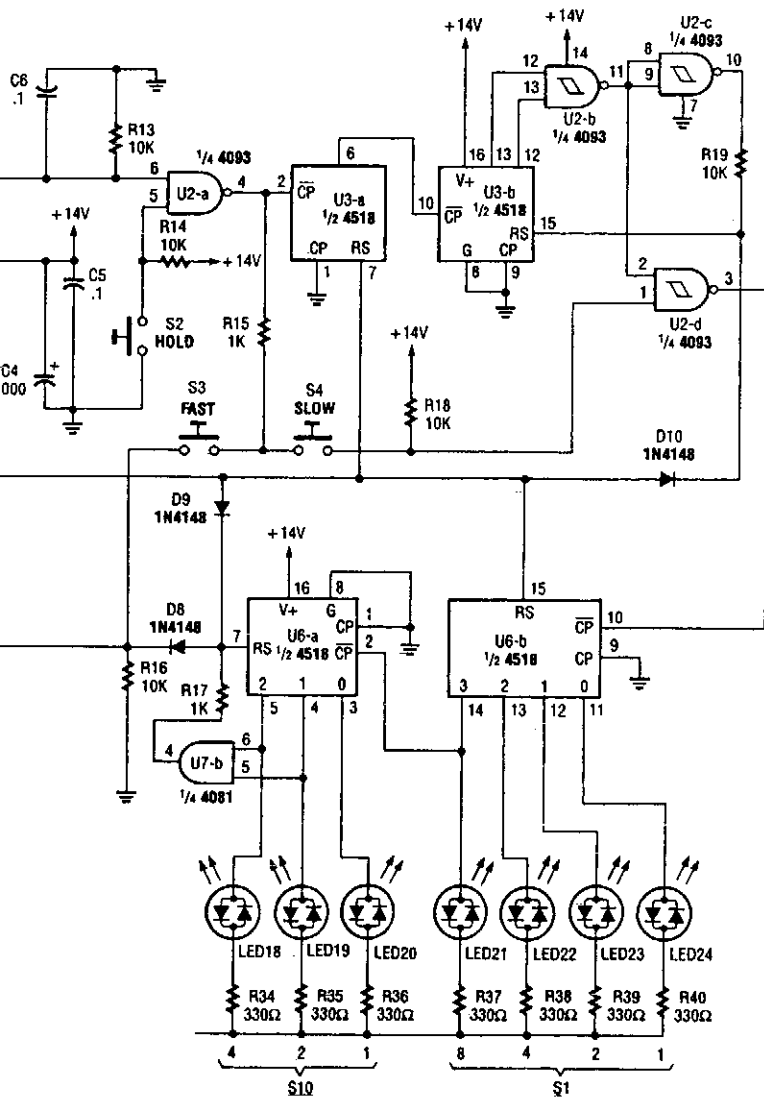


FIG. 13-1

LEDs 4, 11, 12, and 13 read out in 105 minutes
 LEDs 7 through 10 read out the hours
 LEDs 1, 2, 3, and 6 read out tens of hours
 The 60-Hz line is used as a timebase.

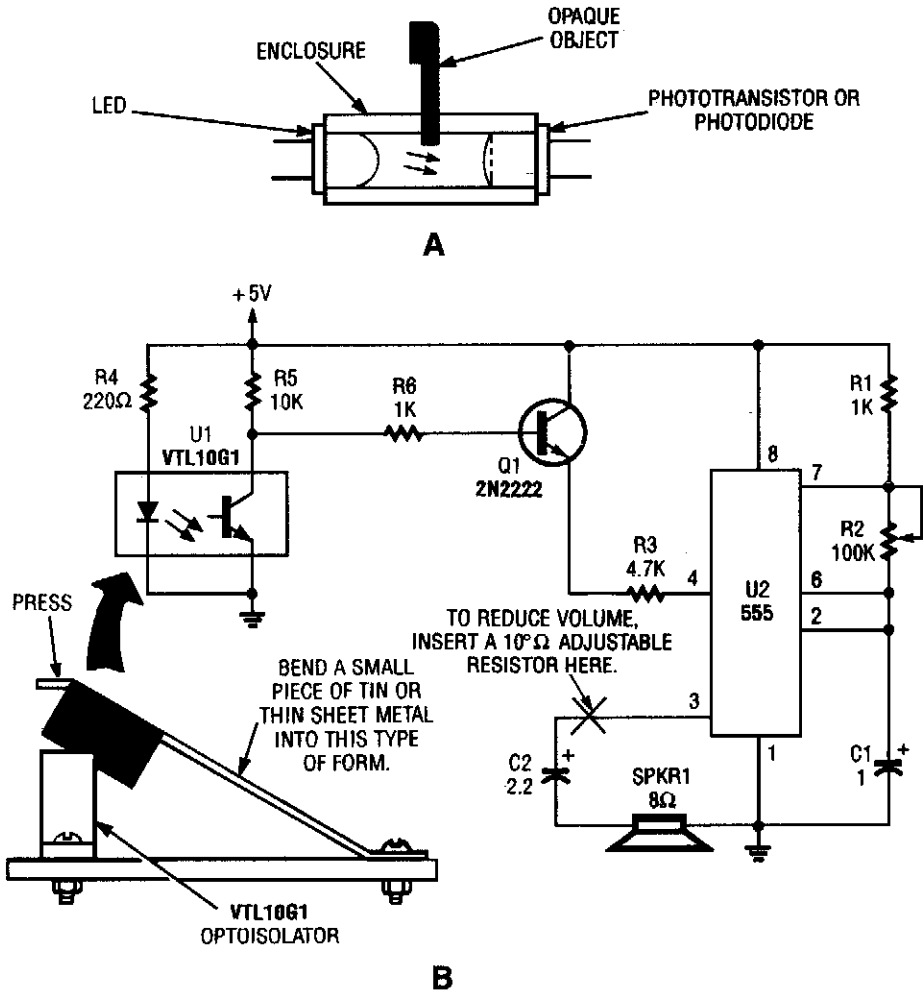
14

Code Practice Circuits

The source of the following circuits are contained in the Sources section, which begins on page 675. The figure number in the box of each circuit correlates to the entry in the Sources section.

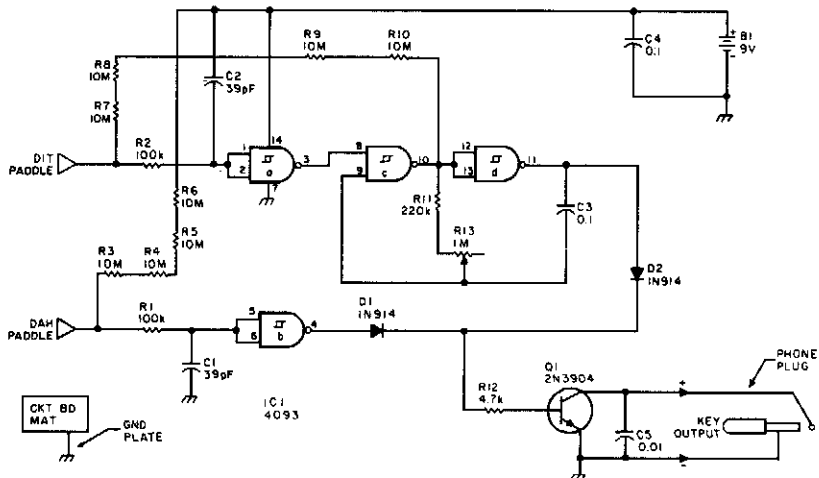
Code Practice Oscillator Uses Optoisolator
Electronic CW "Bug" Keyer
QRP Sidetone Generator/Code Practice Oscillator
Morse Practice Oscillator
Code Practice Oscillator
Variable Frequency Code Practice Oscillator
Single-Transistor Code Practice Oscillator

CODE PRACTICE OSCILLATOR USES OPTOISOLATOR



A slotted-pair isolator (A) is effectively an enclosed-pair isolator with a slit that will allow an obstacle to interrupt the light path. That could be useful for building a code key (B).

ELECTRONIC CW "BUG" KEYS

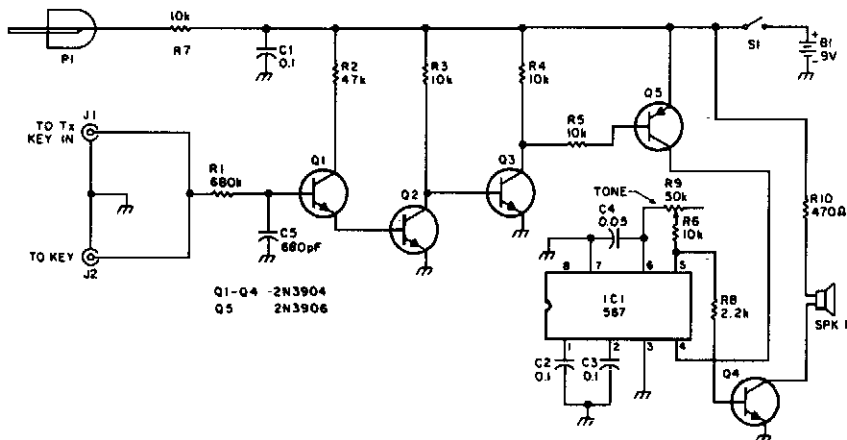


73 AMATEUR RADIO TODAY

FIG. 14-2

This keyer uses skin conductivity to simulate the old-fashioned mechanical CW bug keyer. When the "dit" paddle is touched the bias on the inverter, IC1-a is shunted to ground, and it produces a logic high, causing oscillator sections C&D to generate a low-frequency square wave keying Q1 for a series of "dits." When the "dah" paddle is touched, section b produces a logic high, driving keyer Q1 on.

QRP SIDETONE GENERATOR/CODE PRACTICE OSCILLATOR

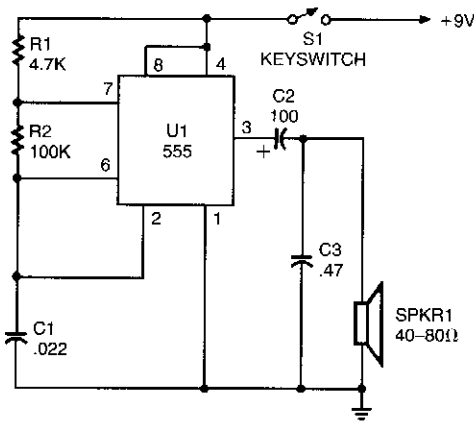


73 AMATEUR RADIO TODAY

FIG. 14-3

For use with low-power transmitters with a positive keying voltage. Q1/Q2/Q3 form a switching amplifier. When the key is pressed, the collector of Q3 goes to ground, turning on Q5 and activating IC1, an audio oscillator. Q4 drives the speaker. For use as a code practice oscillator, insert P1 and J1 and a key in J2.

MORSE PRACTICE OSCILLATOR

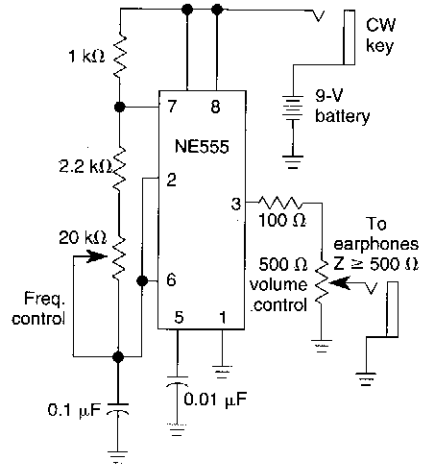


POPULAR ELECTRONICS

FIG. 14-4

A 555 timer configured as an astable multivibrator is used in this circuit to generate an audio note. C1 can be changed to vary the audio note as desired.

CODE PRACTICE OSCILLATOR

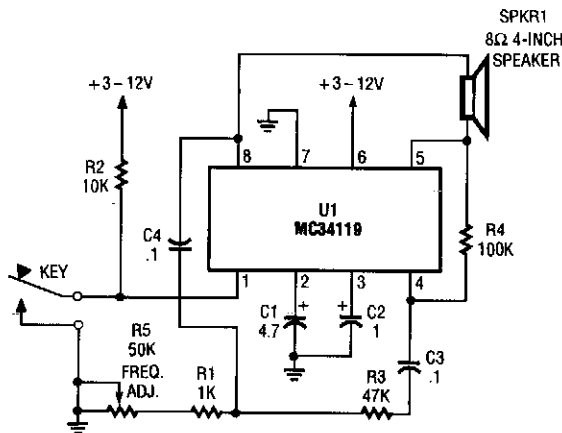


WILLIAM SHEETS

FIG. 14-5

The tone and volume of the sound produced when the telegraph key is depressed can be varied in this code practice oscillator.

VARIABLE FREQUENCY CODE PRACTICE OSCILLATOR

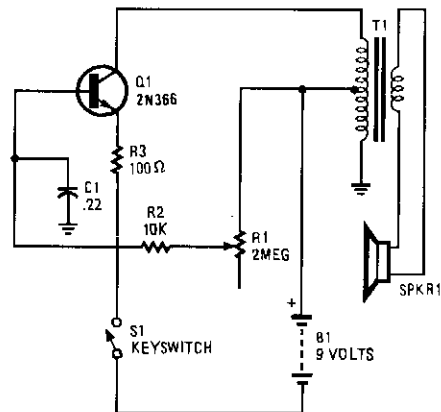


POPULAR ELECTRONICS

FIG. 14-6

The variable frequency audio oscillator can be used as a low-level alarm sounder or a code-practice oscillator.

SINGLE-TRANSISTOR CODE PRACTICE OSCILLATOR



POPULAR ELECTRONICS

FIG. 14-7

A 2N366 is configured as an audio feedback oscillator using an audio transformer is shown. Adjust R1 for proper operation and desired audio note.

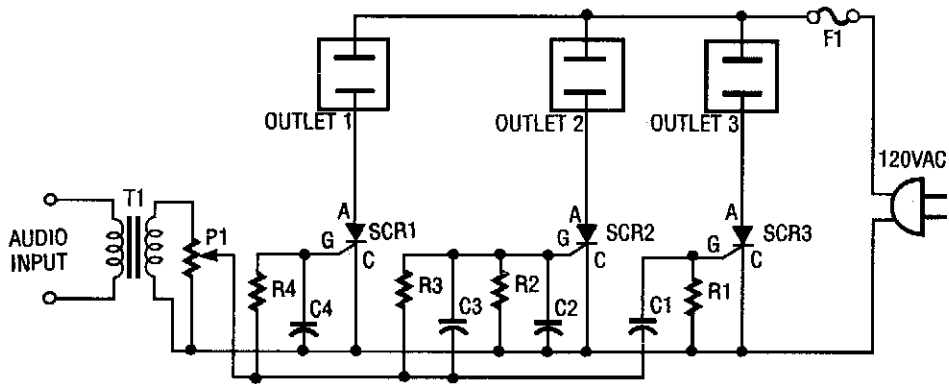
15

Color Organ Circuit

The source of the following circuit is contained in the Sources section, which begins on page 675. The figure number in the box of each circuit correlates to the entry in the Sources section.

3-Channel Color Organ

3-CHANNEL COLOR ORGAN



1991 PE HOBBYIST HANDBOOK

FIG. 15-1

The ac line power is brought back into the circuit through F1, a protective 5-A fuse. One side of the ac line is connected to one side of each ac outlet. The other side of the ac line is connected to each SCR or silicon-controlled rectifier. Each SCR is, in turn, connected to the other side of each ac outlet.

An audio signal is brought into the circuit from a stereo speaker by transformer T1. This transformer has 500- Ω impedance on the primary and 8- Ω impedance on its secondary. Connect T1 so that the 8- Ω side is connected to the speaker and the 500- Ω side is connected to potentiometer P1.

Potentiometer P1 is used as a level or sensitivity control. The signal from its wiper lead is applied to each RC filter stage. Because each SCR has a different RC (resistor/capacitor) filter on its gate lead, each will respond to different frequencies. The greater the capacitance in the filter, the lower the frequency that the SCR will respond to.

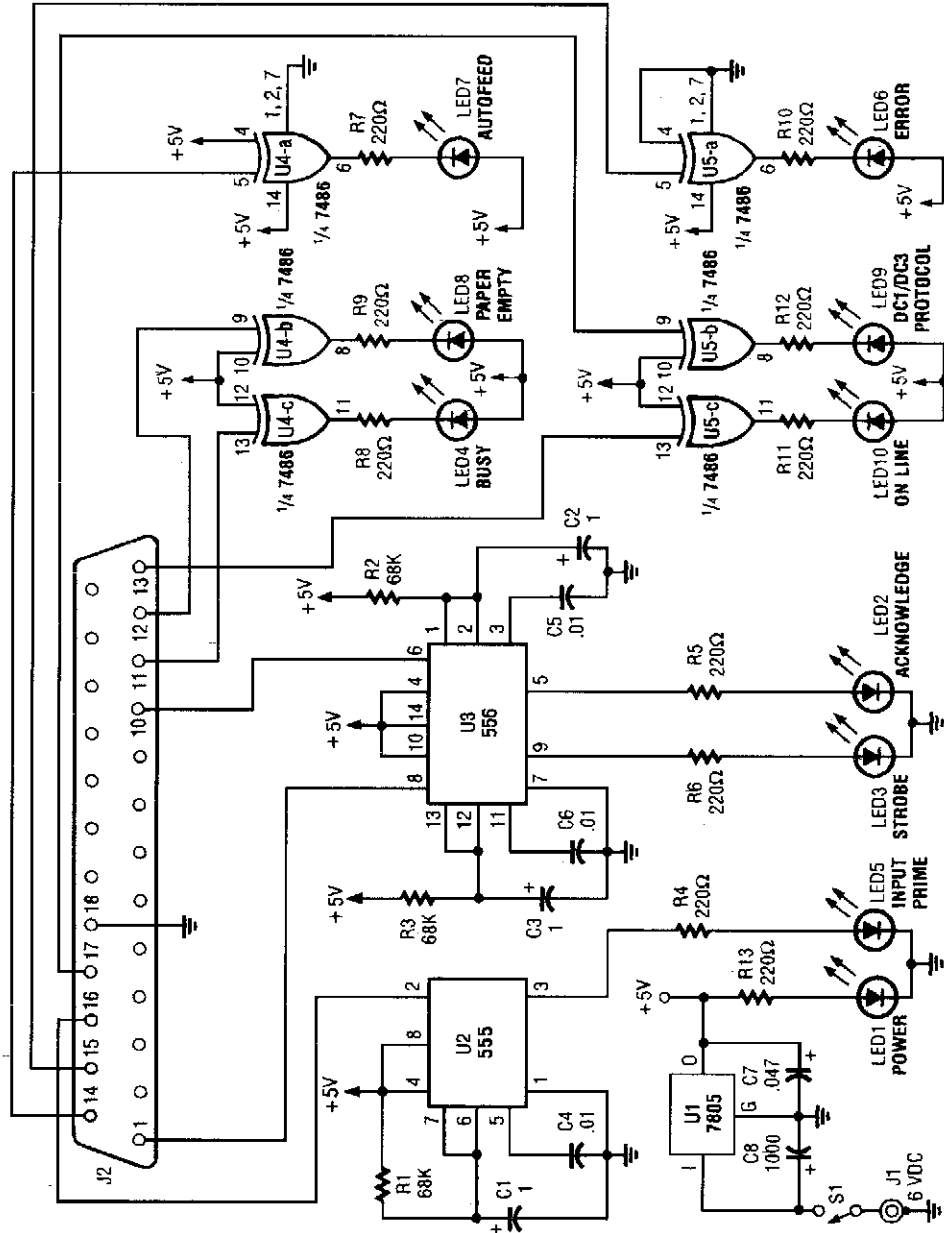
16

Computer Circuits

The sources of the following circuits are contained in the Sources section, which begins on page 675. The figure number in the box of each circuit correlates to the entry in the Sources section.

Printer Sentry
PC Password Protection
Buffer I²C Data and Clock Lines

PRINTER SENTRY



POPULAR ELECTRONICS

FIG. 16-1

PRINTER SENTRY (Cont.)

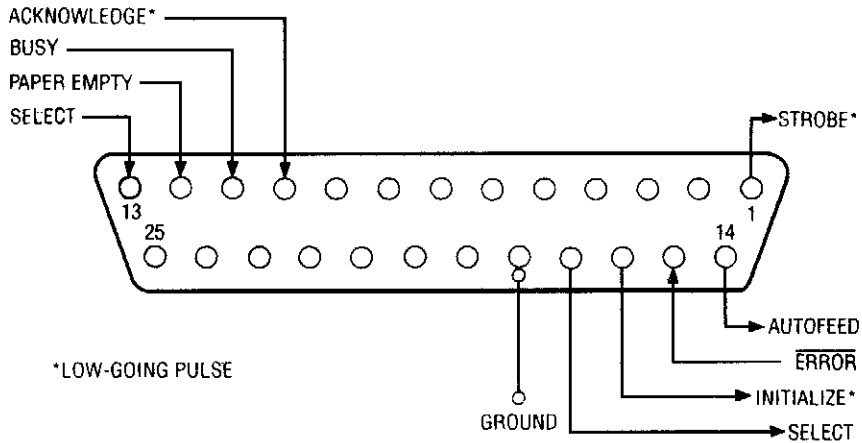
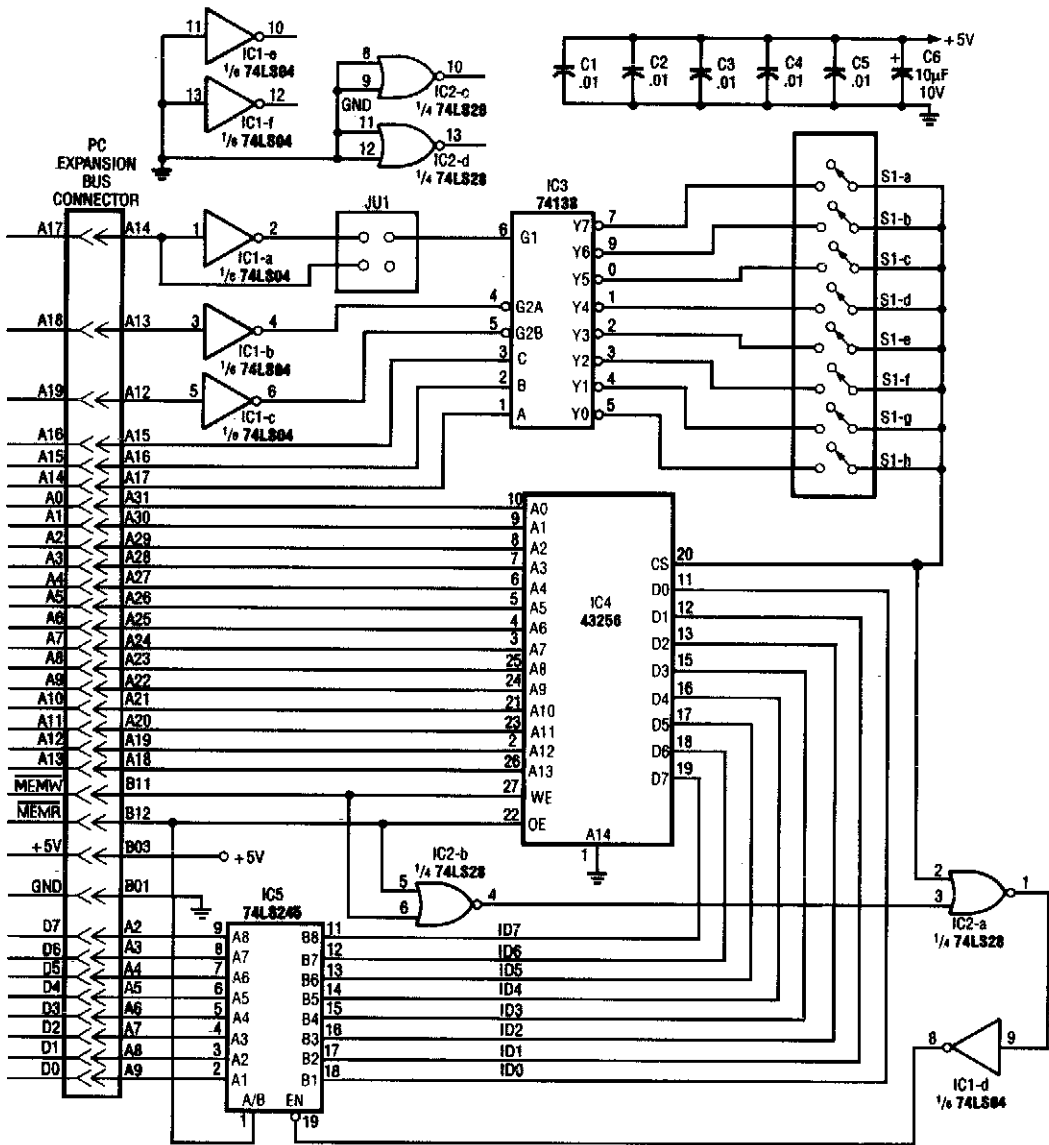


TABLE 1—PIN CORRESPONDENCE

DB-25 Connector	Centronics- Style Connector
1	1
10	10
11	11
12	12
13	13
14	14
15	32
16	31
17	36
18	19

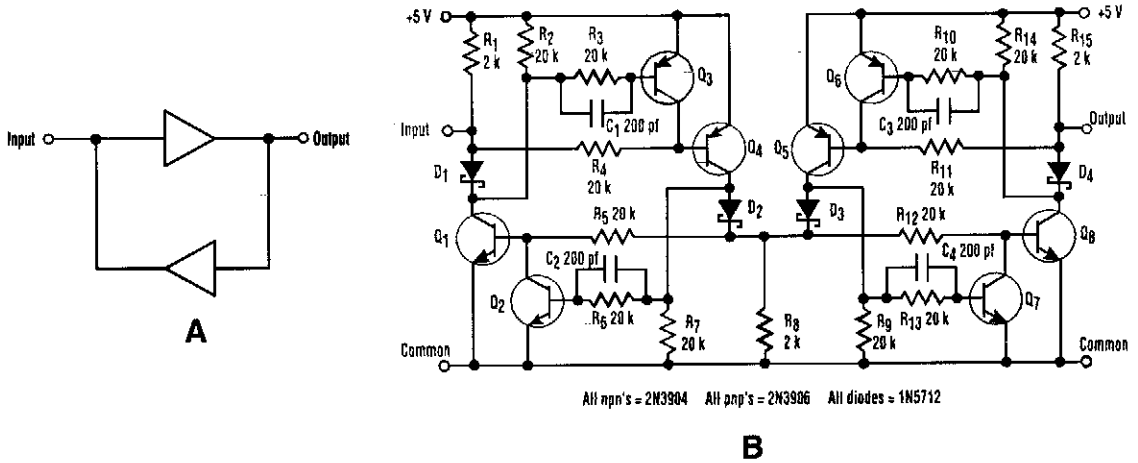
Handy for monitoring printers, this circuit displays all the signals on a parallel link. It monitors the status of the lines, enabling remote monitoring of the operation of a printer, and it also gives an indication of troubles (paper empty, busy, etc.).

PC PASSWORD PROTECTION



With this circuit, a PC will be protected, requiring a password to boot. After three times, the computer will have to have a cold reboot and the password tried again. Software for this system is available—consult the reference for further details.

BUFFER I²C DATA AND CLOCK LINES



ELECTRONIC DESIGN

FIG. 16-3

The I²C serial bus is a popular two-wire bus for small-area networks. I²C Clock and Data lines have open collector (or drain) outputs for each device on the network. Only a single pull-up resistor is needed. With this architecture, each device can “talk” on the network, rather than just “listen.” In some circumstances, it might be desirable to buffer these lines to expand the network, which can sometimes be a tricky task. The obvious approach (Fig. 1) won't work because it latches in either the higher or lower state. A circuit for a noninventory nonlatching buffer is also shown.

The circuit is symmetrical about its center so that the input and output can be swapped. Q1 and Q8 are the output open collector drivers. Q2, Q3, Q6, and Q7 provide the nonlatching functions. The capacitors prevent switching glitches by ensuring the inhibit transistors turn off before the output transistors do.

Operation can be best explained by example: if the input is high, Q4 turns off, and the voltage across R8 goes to zero. This turns off Q1 and Q8. The output then goes high, which is the circuit's normal resting place. If the input is pulled low, Q4 is turned on.

Diode D1 remains reverse-biased, preventing Q3 from turning off Q4. With Q4 on, current is supplied to both Q2 and Q1 to turn them on, but Q2 turns on first to keep Q1 off. This prevents the input from latching. Q4 also turns on Q8. D4 is now forward-biased, so Q6 turns on, and thus turns off Q5. With Q5 off, Q7 will not turn on. The output remains low. Even with both the input and the output externally driven low, the circuit will not latch. The circuit, using the values shown in Fig. 2, reached a clock rate of 80 kHz with a VOH of 5.0 V and a VOL of 0.5 V.

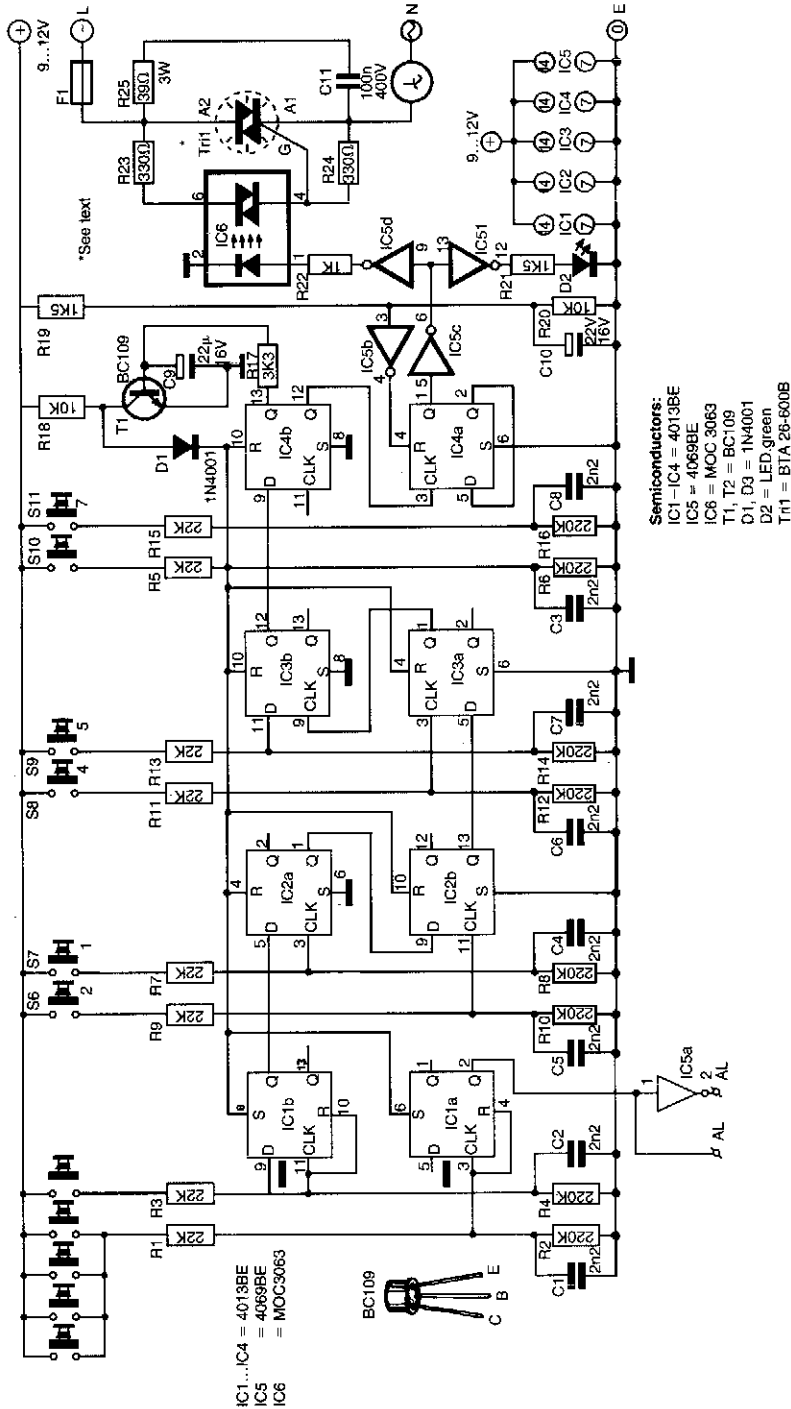
17

Control Circuits

The sources of the following circuits are contained in the Sources section, which begins on page 675. The figure number in the box of each circuit correlates to the entry in the Sources section.

6-Digit Coded ac Power Switch
VCR TV On/Off Control
Simple Power Down Circuit
Simple ac Voltage Control
Dual-Control Switch Uses ac Signals

6-DIGIT CODED ac POWER SWITCH

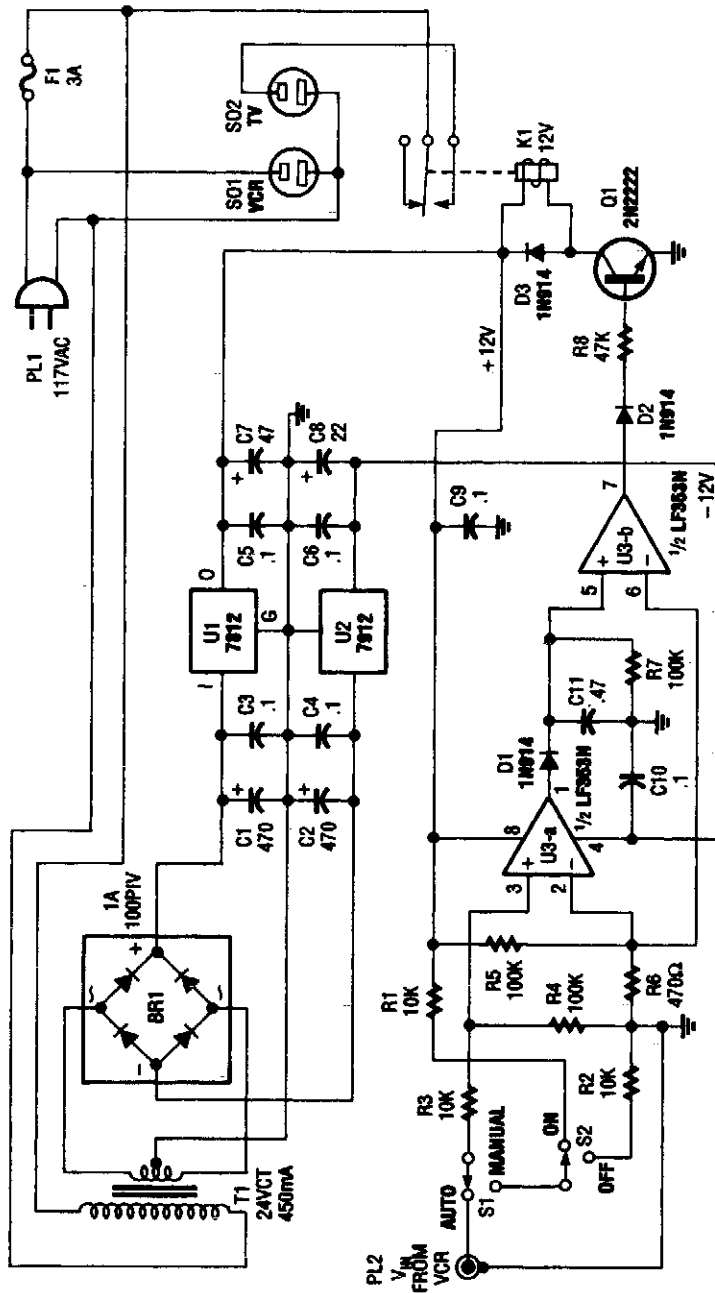


ELEKTOR ELECTRONICS

FIG. 17-1

This switch uses four CD4013 BE dual flip-flops, an optoisolator to drive a triac. The circuit can switch 25-A ac load current. A standard 4 x 3 telephone keyboard is used to enter a 6-digit code. In case of a wrong code, a signal is available to activate an alarm. The disarming method is a secret reset button that can be any number on the keyboard.

VCR TV ON/OFF CONTROL



1993 ELECTRONICS HOBBYISTS HANDBOOK

FIG. 17-2

This circuit senses the video from the VCR. When the VCR is turned on, video signal is amplified by U3A and B to drive Q1, activating K1. In this manner, it is not necessary to turn on and off two video devices every time. In many cases, this avoids the use of a cable box, the cable-ready VCR performing this function.

SIMPLE POWER DOWN CIRCUIT

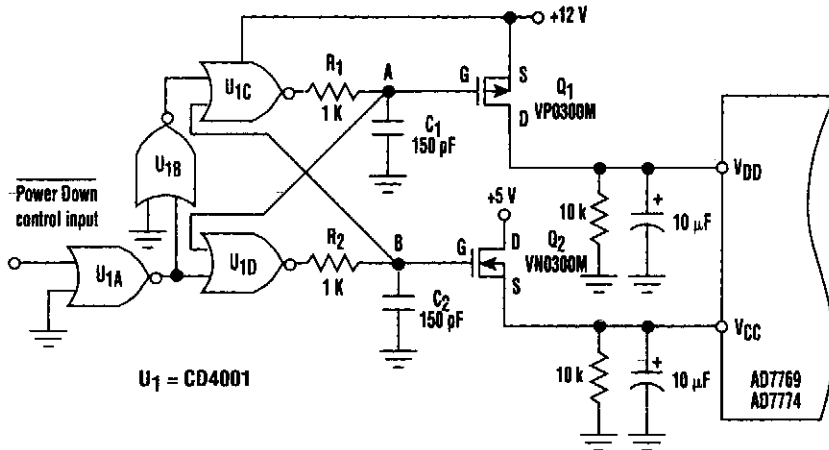


FIG. 17-3

ELECTRONIC DESIGN

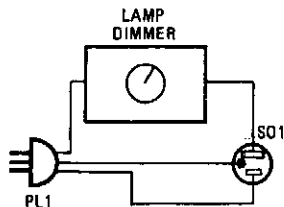
This circuit adds a power-down function to analog I/O ports (for example, the AD7769 and AD7774). Moreover, the diodes ordinarily needed to protect the devices against power-supply missequencing can be eliminated (see the figure).

In the circuit, MOSFETs Q1 and Q2 switch the +5- and +12-V supplies, respectively, in a sequence controlled by two cross-coupled CD4001 CMOS NOR gates (U1C and U1D). The sequence in which power is applied is important: The controlled circuits may be damaged anytime V_{CC} exceeds $V_{DD} + 0.3$ V. Consequently, the NOR gates must be powered from a 12-V supply throughout the power-down sequence.

Bringing the power down control high (+5 V) applies power to the controlled circuit by turning on all MOSFETs. Specifically, raising the power-down brings the output of U1C low, causing capacitor C1 to discharge VOL exponentially with time constant R_1C_1 . As the voltage on C1 falls, two events occur. First, it puts a negative gate-source voltage on P-channel Q1, turning it on.

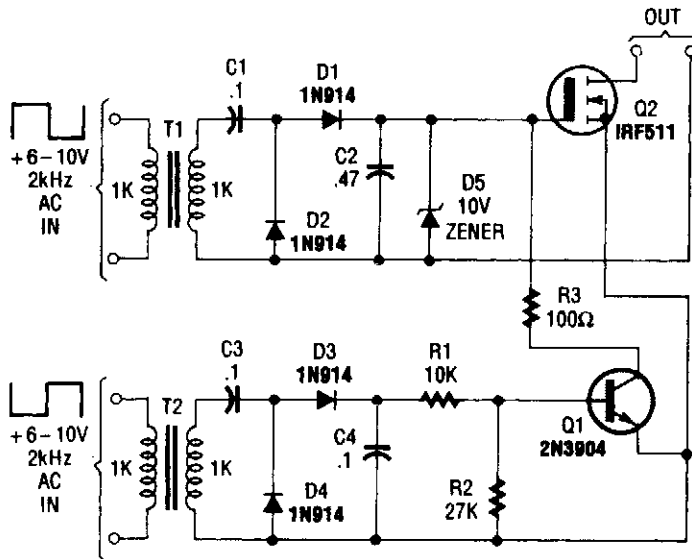
Second, it causes output gate U1D to go high. With the output of U1D high, capacitor C2 charges exponentially to VOH—about 12-V—applying a positive gate-source voltage to turn on Q2. In the power down mode, the Power Down control is brought low and the RC circuits and their delays work in reverse. Consequently, capacitor C2 discharges to the logic input of U1C before C1 can charge. Hence, Q2 turns off before Q1.

SIMPLE ac VOLTAGE CONTROL



Lamp dimmers can be used for more than just controlling lights. Just provide one with an ac line cord and a socket, and discover just how useful they can be.

DUAL-CONTROL SWITCH USES ac SIGNALS



POPULAR ELECTRONICS

FIG. 17-5

The Dual-Control Switch uses two 6-10-Vac sources to trigger the circuit on and off; one source for each function.

18

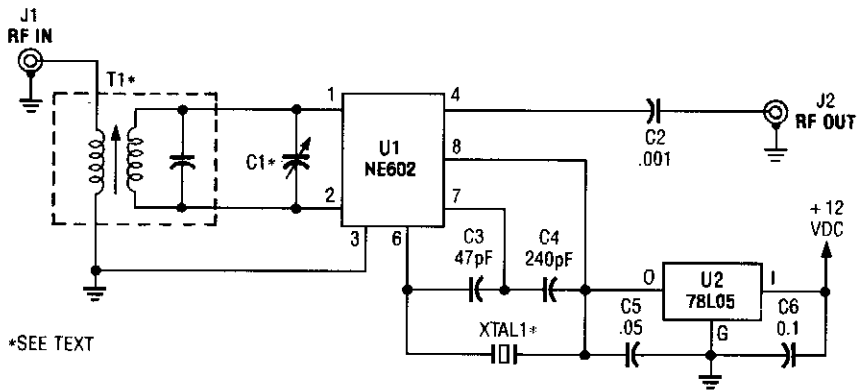
Converter Circuits

The sources of the following circuits are contained in the Sources section, which begins on page 675. The figure number in the box of each circuit correlates to the entry in the Sources section.

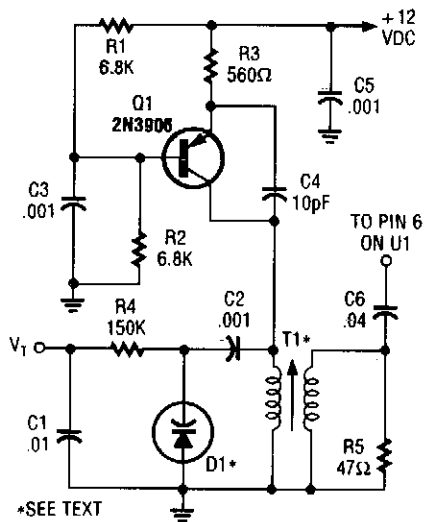
One-Chip Crystal-Controlled Converter
High-Performance Shortwave Converter
3-A dc-dc Converter Needs No Heatsink
Simple WWV Converter for Auto Radios
Digital-to-Analog Converter
Temperature-to-Frequency Converter
VLF Converter
800- to 1000-MHz Scanner Converter
Crystal-Controlled Frequency
Converter Using MOSFET
Temperature-to-Digital Converter

Simple 2-m-6-m Transverter
Sine- to Square-Wave Converter
439.25-MHz ATV Downconverter
Sine-Wave-to-Square-Wave Converter
ATV Downconverter
28-Vdc to 5-Vdc Converter
Current-to-Voltage Converter
Temperature-Compensated One-Quadrant
Logarithmic Converter
dc/dc Converter Circuit with 3.3-V
and 5-V Outputs

ONE-CHIP CRYSTAL-CONTROLLED CONVERTER



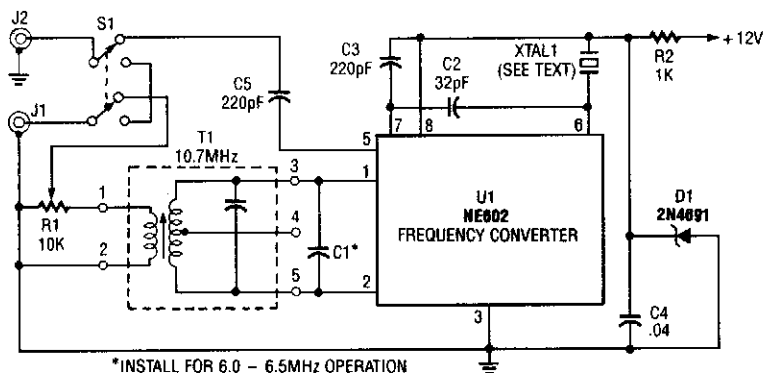
A



B

This circuit can work over a wide range of frequencies. XTAL 1 is a fundamental-frequency crystal. T1 and C1 are tuned to the input frequency. An application of this circuit is a simple shortwave converter for AM radios, etc. A tuneable oscillator can also be used, as shown.

HIGH-PERFORMANCE SHORTWAVE CONVERTER



1990 PE HOBBYIST HANDBOOK

FIG. 18-2

The NE602 chip, U1, contains oscillator and mixer stages. The mixer combines the oscillator signal with the input RF signal to produce signals whose frequencies are the sum and difference of the input frequencies. For example, an 8.5-MHz oscillator and a 10-MHz incoming signal will give output signals at 18.5 MHz ($10 + 8.5$) and 1.5 MHz ($10 - 8.5$). Recall that 1.5 MHz is 1500 kHz and an ordinary AM radio will tune to it.

The choice of crystal depends on what shortwave band you want to hear. The 9.5- to 10-MHz band is less crowded and includes the time-signal station WWV. For that band, you'll need a crystal of 8.5 to 8.9 MHz. There is no standard microprocessor crystal in that range, but you can use an amateur radio crystal, have a crystal custom-made, or use a CB crystal.

Transformer T1 rejects signals that are outside the band you are interested in. Transformer T1 should pass signals from 9 to 11 MHz and attenuate all others.

The transformer, T1, used in the circuit is a 10.7-MHz IF transformer salvaged from an FM radio. They are fairly easy to obtain new from parts stores and mail-order houses. Most 10.7-MHz IF transformers will tune across the 9.5- to 10-MHz band without modification; all you need to do is turn its tuning slug. To receive the 6.0- to 6.5-MHz shortwave band, you'll have to add a 150-pF capacitor.

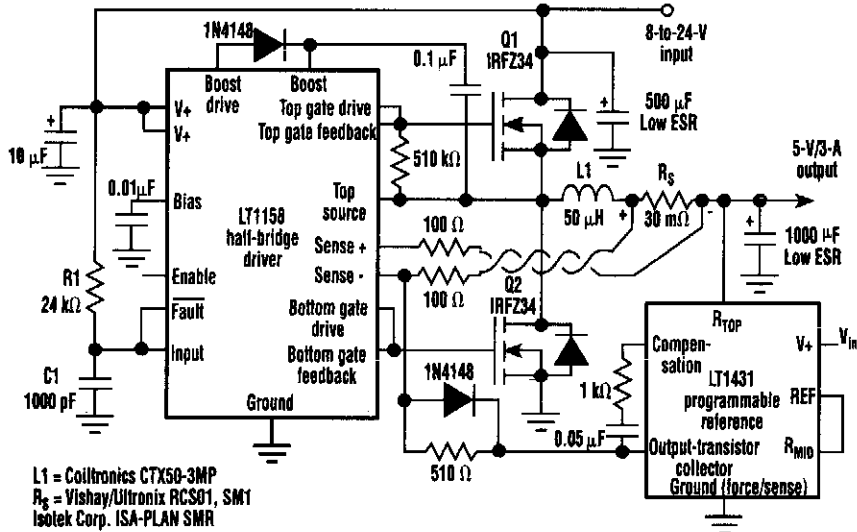
Capacitors

- C1 150-pF, ceramic disc (see text)
- C2 32-pF, ceramic disc
- C3, C5 220-pF, ceramic disc
- C4 0.04 or 0.05- μ F, ceramic disc

Additional Parts and Materials

- U1 NE602N frequency-converter integrated circuit
- D1 6.2-V, 0.4 or 1-W Zener diode
- R1 10,000- Ω panel-mount potentiometer
- R2 1000- Ω , 1/4-W, 5% resistor
- J1, J2 RCA phono jack
- S1 DPDT, toggle switch, panel mount
- T1 10.7-MHz IF transformer (green color coded)
- XTAL 1 8.5-MHz crystal or CB channel-5 receiving crystal (see text)
- XTAL 2 5.0-MHz microprocessor crystal for 6-MHz band

3-A dc-dc CONVERTER NEEDS NO HEATSINK

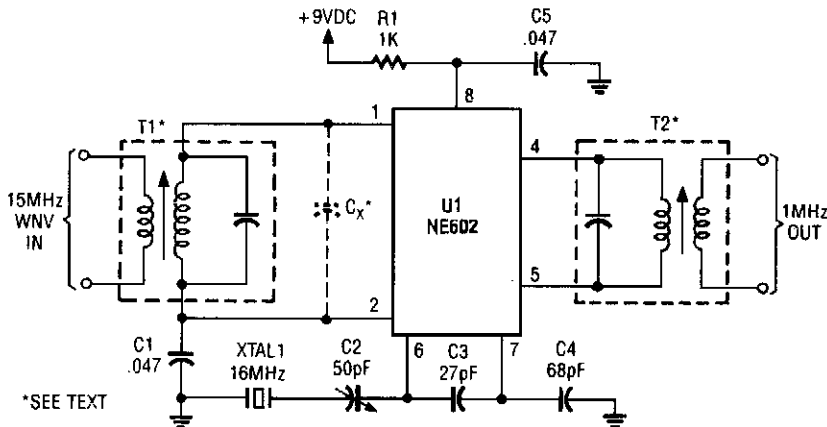


ELECTRONICS DESIGN

FIG. 18-3

This regulator delivers 90% efficiency at 12-V input, 5-V output. It uses an LT1158 and LT1431 by Linear Technology, Inc. High efficiency is obtained by synchronously switching two power MOSFETs in a step-down switching regulator. The LT1431 voltage reference combines with the LT1158 half-bridge driver to form a constant off-time current mode loop.

SIMPLE WWV CONVERTER FOR AUTO RADIOS

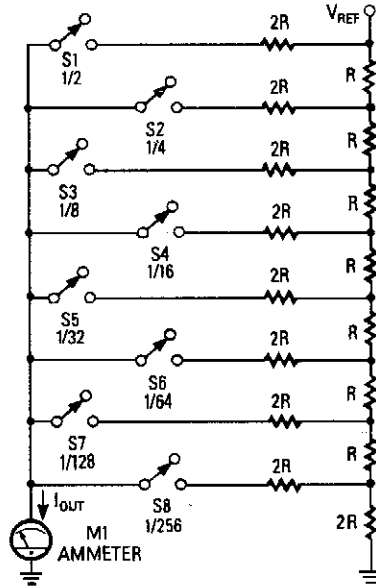


POPULAR ELECTRONICS

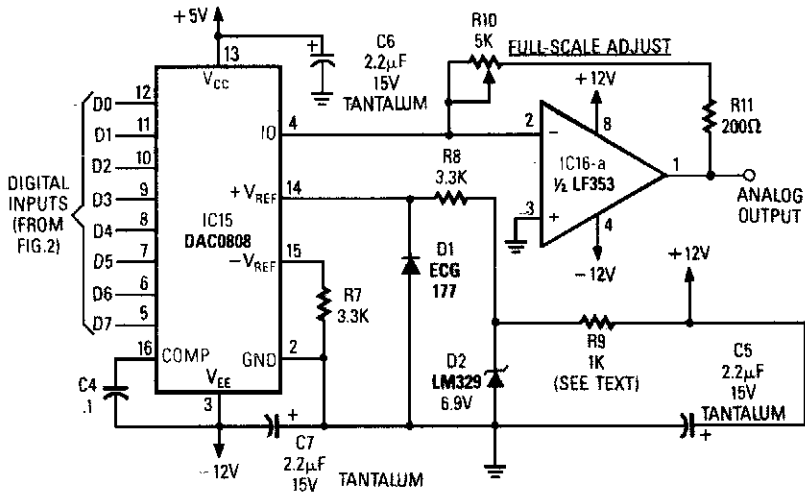
FIG. 18-4

This simple frequency converter mixes the 15-MHz WWV/WWH signal with a 16-MHz signal from the LO to convert it down to 1 MHz so that it can be heard on AM-band receiver.

DIGITAL-TO-ANALOG CONVERTER



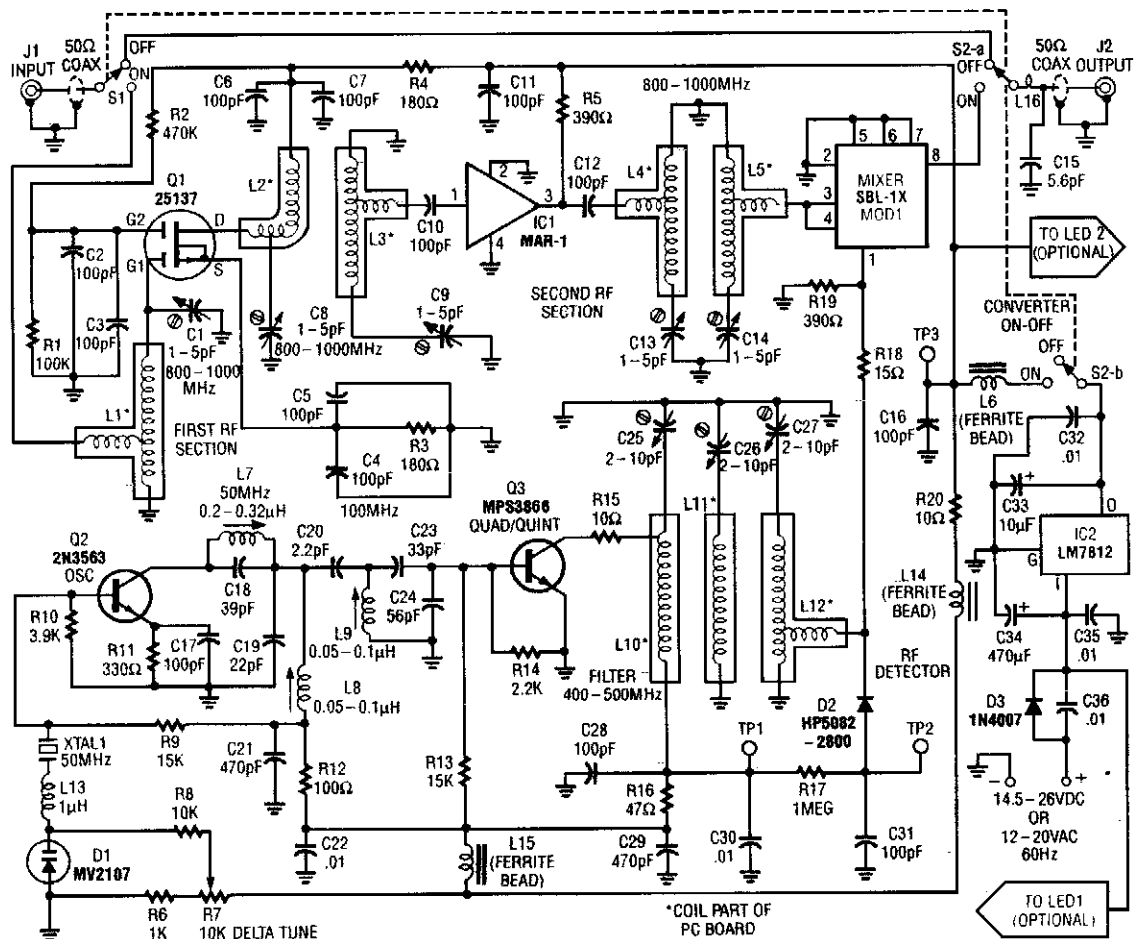
A



B

Figure A is an $R/2R$ resistor ladder. Each switch that is closed increases the amount of current at I_{out} . A simple channel A/D converter is shown in Fig. B. The voltage reference (D2) is common to all channels, but the value of the dropping resistor (R9) varies as the number of DACs installed in the system. IC15 is a DAC0808 A/D converter chip. IC16A is an op amp to interface the output current from the D/A convert to an analog voltage output.

800- TO 1000-MHz SCANNER CONVERTER

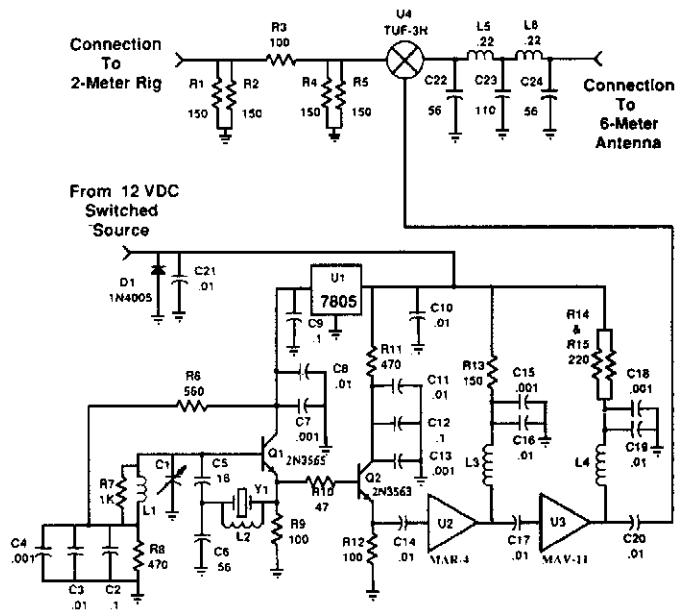


RADIO-ELECTRONICS

FIG. 18-8

This converter enables reception of 800 to 1000 MHz on any scanner covering the 400 to 500-MHz range. The converter can be set up to cover either 800 to 900 MHz or by readjustment 900 to 1000 MHz. Sensitivity is very high because of the GASFET front end. For best results, the scanner should be of a programmable variety. A complete kit is available from North Country Radio, P.O. Box 53, Wykagyl Station, NY 10804.

SIMPLE 2-m-6-m TRANSVERTER

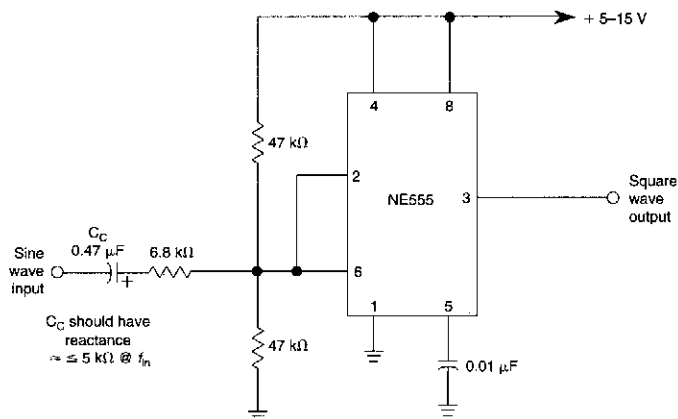


73 AMATEUR RADIO TODAY

FIG. 18-11

Using the bilateral properties of a balanced mixer this transverter will produce 6-m output with 2-m inputs. Y1 is a 90-MHz crystal. Note that the input on 2 m is 143 to 144 MHz for 53 to 54-MHz output. This avoids possibility of extraneous 2-m reception during receive periods. If your radio will not transmit below 144 MHz, then use a 93- or 94-MHz crystal frequency.

SINE- TO SQUARE-WAVE CONVERTER

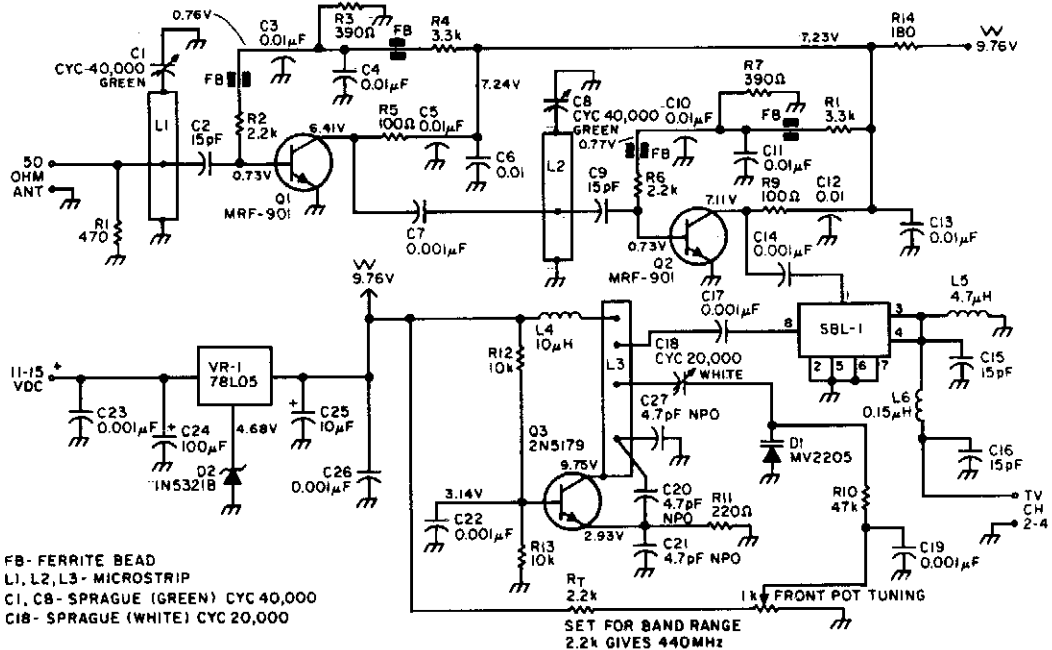


This 555-based Schmitt trigger circuit is useful for creating clock pulses from analog signals since it readily converts sine waves into square waves.

WILLIAM SHEETS

FIG. 18-12

439.25-MHz ATV DOWNCONVERTER

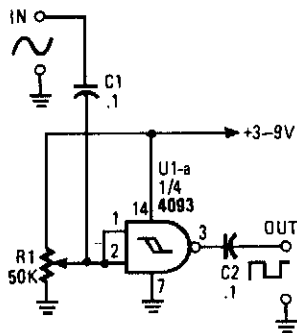


73 AMATEUR RADIO TODAY

FIG. 18-13

Most ATV (Amateur Television) transmitters transmit a DSB signal and commercial television stations use a VSB (Vestigial Sideband) signal. This fact is made use of in this converter to use the lower sideband. This results in less interference from repeaters that occupy the 440- to 445-MHz portion of the band. However, this approach might suffer from VHF image responses from channel 29, if that channel is active in your area.

SINE-WAVE-TO-SQUARE-WAVE CONVERTER

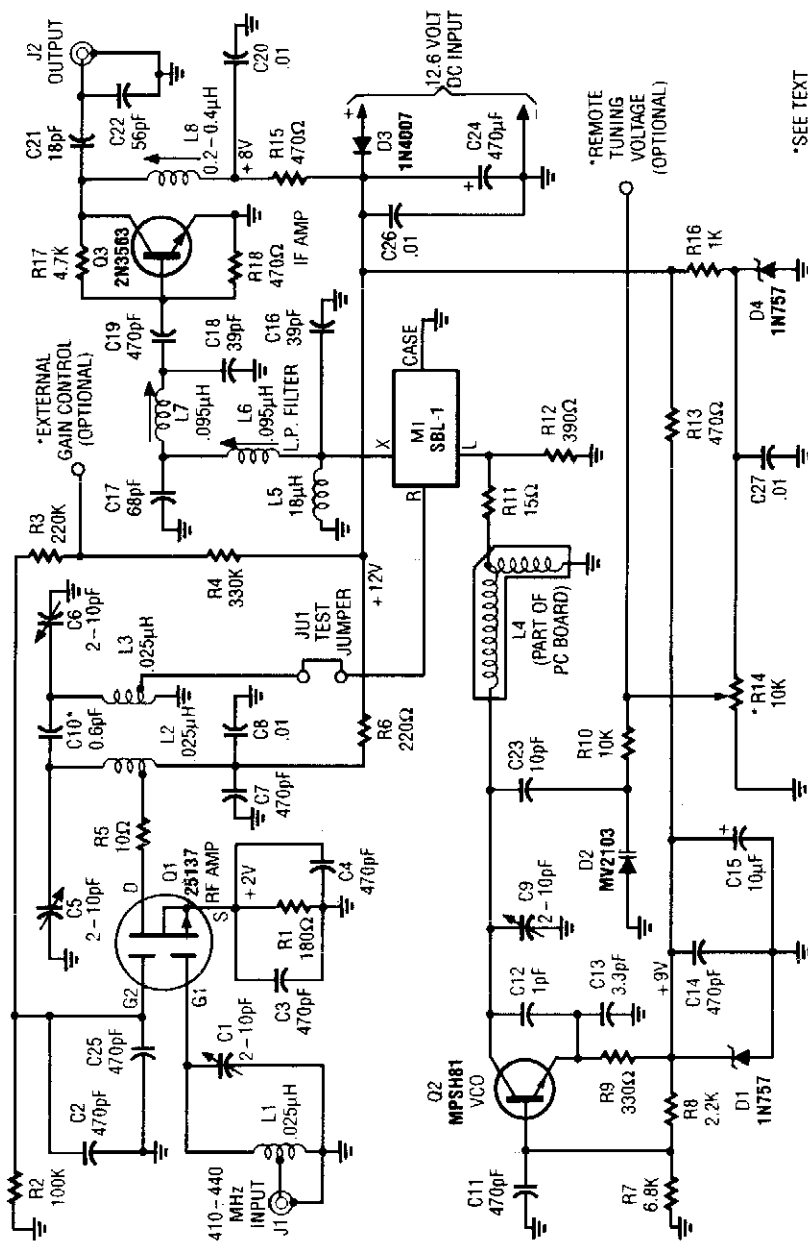


This circuit turns a sine wave into a square wave. It is comprised of a single 2-input NAND Schmitt trigger that's configured as an inverter with a trigger level adjustment at its input. As the input voltage rises above the gate's trigger point, the output snaps to its alternate state, producing a square-wave output.

POPULAR ELECTRONICS

FIG. 18-14

ATV DOWNCONVERTER



*SEE TEXT

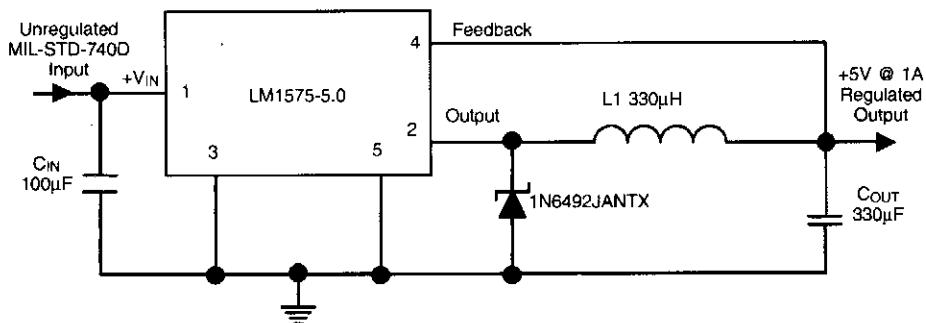
*REMOTE TUNING VOLTAGE (OPTIONAL)

ELECTRONICS NOW

FIG. 18-15

This RF converter converts amateur TV signals in the 420- to 450-MHz region to VHF channel 3 or 4, allowing reception of those signals on a standard TV receiver. RF amplifier Q1 feeds mixer M1, and Q3 acts as an IF amplifier. Q2 is an oscillator operating around 378 MHz and is tuneable over about a 30-MHz range. A complete kit is available from North Country Radio, P.O. Box 53, Wylkagyl Station, NY 10804.

28-Vdc TO 5-Vdc CONVERTER

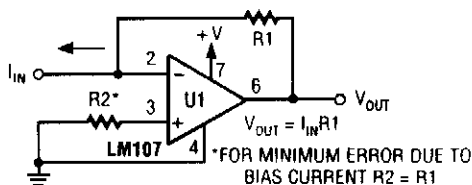


NATIONAL SEMICONDUCTOR

FIG. 18-16

The National Semiconductor LM1575-5.0 allows a very simple switching regulator, with >80% efficiency, operating as a 5-V source @ 1A from a +28-V bus.

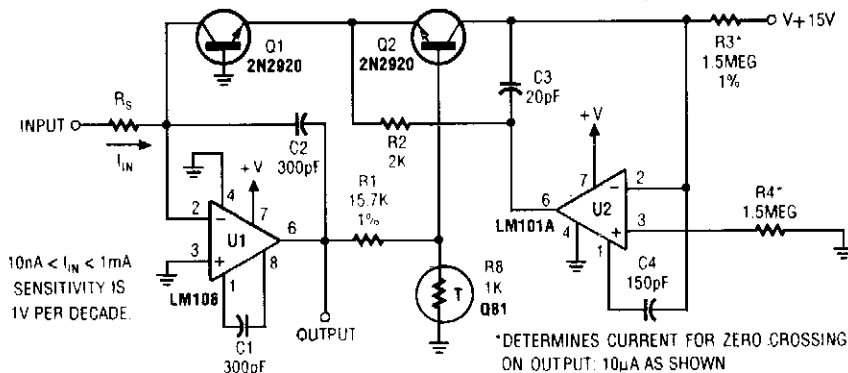
CURRENT-TO-VOLTAGE CONVERTER



POPULAR ELECTRONICS

FIG. 18-17

TEMPERATURE-COMPENSATED ONE-QUADRANT LOGARITHMIC CONVERTER

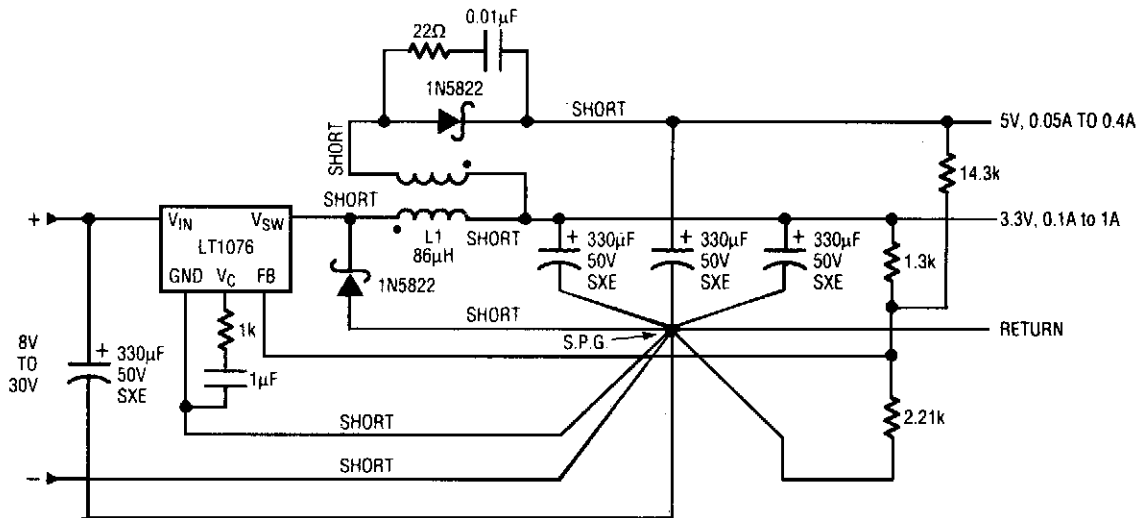


POPULAR ELECTRONICS

FIG. 18-18

A logarithmic converter used to produce an output voltage that is proportional to the logarithm of an input current is shown. R_S is the input impedance of the input source.

dc/dc CONVERTER CIRCUIT WITH 3.3-V AND 5-V OUTPUTS



S.P.G. SINGLE POINT GROUND, (STAR GROUND)
 DARK LINES INDICATE HIGH CURRENT PATHS (SEE TEXT)
 L1 = HURRICANE LABS HL8685
 = COILTRONICS CTX01-11959
 ALL ELECTROLYTIC CAPACITORS, UNITED CHEMICON SXE SERIES

LINEAR TECHNOLOGY CORPORATION 1993

FIG. 18-19

Input voltages can range from 8 V to 30 V. The load range on the 5 V is 0.05 A to 5 A while the 3.3-V load range is 0.1 A to 1 A. The circuit is self-protected under no-load conditions. Over all load and line conditions, including cross regulation, the 3.3-V output varies from 3.25 V to 3.27 V. The 5-V output varies from 4.81 V to 5.19 V under the same conditions.

In a typical application to 0.5 A on the 3.3 V and 0.25 A on the 5 V, efficiency is typically 76%. With an input voltage of 30 V and a full-load condition, the efficiency drops to 66%. In normal operating regions, efficiency is always better than 70%. The 5-V ripple is less than 75 mV and the 3.3-V ripple less than 50 mV over all line and load conditions.

19

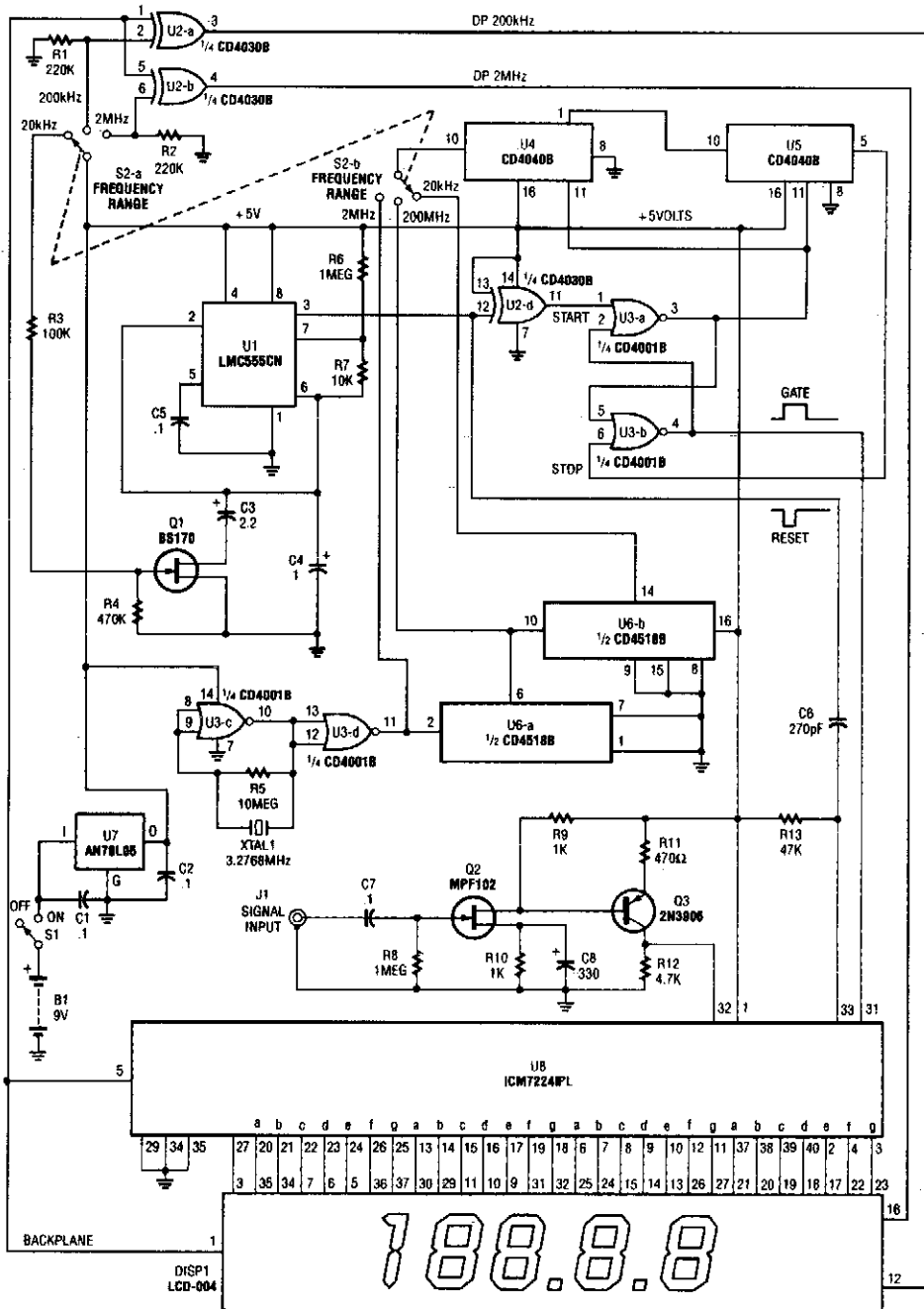
Counter Circuits

The sources of the following circuits are contained in the Sources section, which begins on page 675. The figure number in the box of each circuit correlates to the entry in the Sources section.

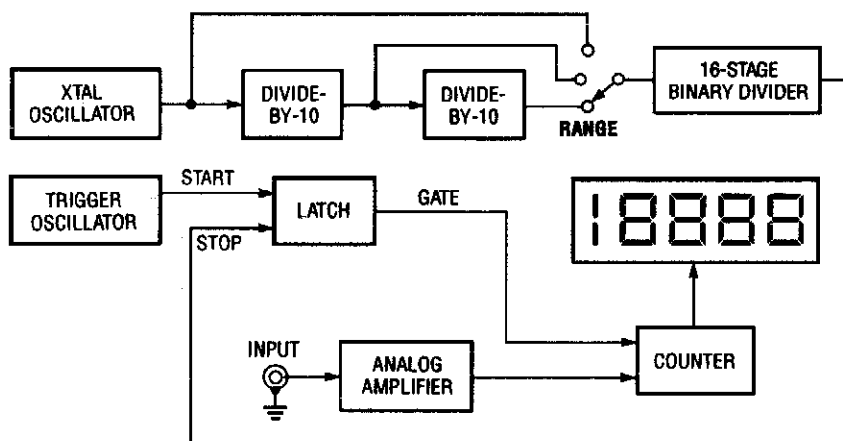
2-MHz Frequency Counter

10-MHz Frequency Counter

2-MHz FREQUENCY COUNTER



2-MHz FREQUENCY COUNTER (Cont.)

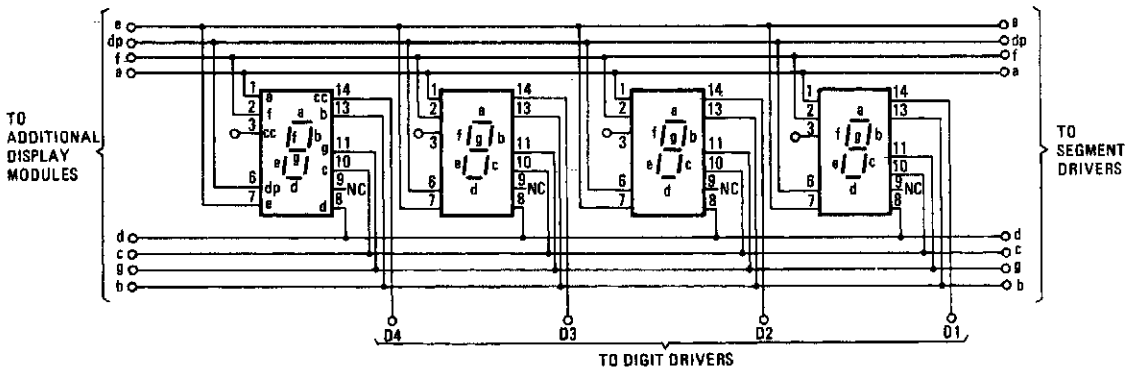
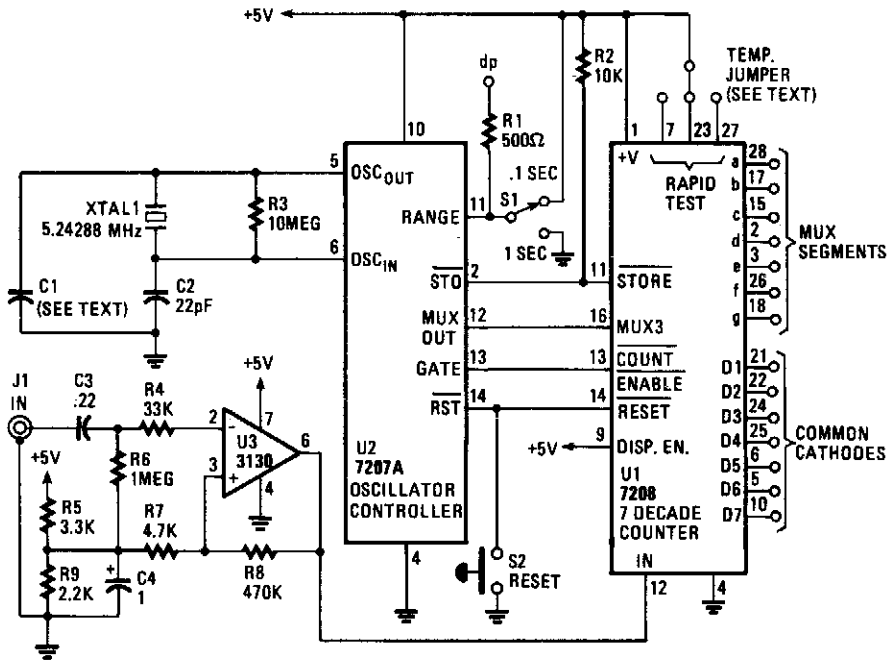


1993 ELECTRONICS HOBBYIST HANDBOOK

This is a schematic and block diagram of a 2-MHz frequency counter. It uses an LSI counter/display driver, LCD readout, and a few logic chips for timebase and timing pulse circuitry. Q2 and Q3 form a signal (input) amplifier.

The circuit contains a crystal oscillator built around U3-c and XTAL1, which provides the primary timing-reference signal. That signal is then divided twice to provide two additional timing references, giving the circuitry three selectable timing references. The ICM7224IPL is an integrated circuit that consists of the counter and display driver to drive the LCD-004 display.

10-MHz FREQUENCY COUNTER



10-MHz FREQUENCY COUNTER (*Cont.*)

The circuit consists of an ICM7208 seven-decade counter (U1), an ICM7207A oscillator controller (U2), and a CA3130 biFET op amp (U3). Integrated circuit U1 counts input signals, decodes them to 7-segment format, and outputs signals that are used to drive a 7-digit display. Integrated circuit U2 provides the timing for U1, while U3 conditions the input signal to provide a suitable waveform for input to U1. The 5.24288-MHz crystal frequency is divided by U2 to produce a 1280-Hz multiplexing signal at pin 12 of U2. That signal is input to U1 at pin 16 and is used to scan the display digits in sequence. The cathodes of each digit are taken to ground several times each second, activating any segments of the digits whose anodes are high as the result of decoding by U1. The crystal frequency is further divided to produce a short “store” pulse at pin 2 of U2, followed (after about 0.4 ms) by a short “reset” pulse at pin 14 of U2. The frequency of the pulses is determined by the state of U2 pin 11.

When pin 11 of U2 is taken to ground through S1, the pulses occur every 2 seconds and cause U2 pin to go high for one second, which prevents additional input signals from entering U1. That causes the count latched in U1’s internal counters to be transferred to the display.

Integrated circuit U2 pin 13 then goes low for one second, allowing a new count to be entered into the seven decade counters of U1. That cycle is repeated, continuously updating the display every two seconds.

When U2 pin 11 is taken to the positive supply rail (+5 V), the “store” and “reset” pulses occur at 0.2-s intervals, resulting in a 0.1-s count-period. Ten input pulses must be counted in order for a “1” to appear on the first digit, D1, so that the frequency being measured is obviously 10 times larger than the frequency that is shown on the display. In that mode, the decimal points are driven by M and visually indicate that the 0.1-s count period is being used.

The display must have at least seven 7-segment common-cathode multiplexed LED digits. Any common-cathode seven-segment display can be used; no particular display is specified.

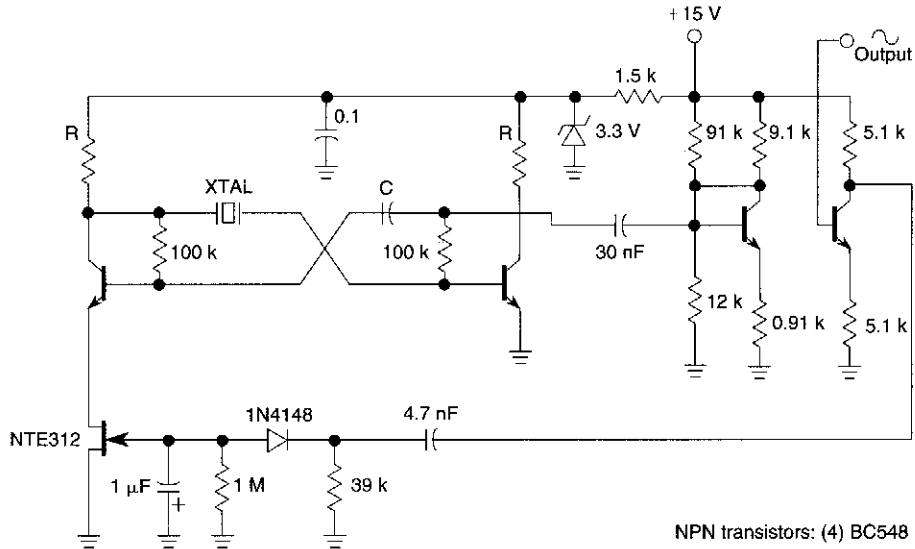
20

Crystal Oscillator and Test Circuits

The sources of the following circuits are contained in the Sources section, which begins on page 675. The figure number in the box of each circuit correlates to the entry in the Sources section.

- Low-Frequency Crystal Oscillator
- Crystal Oscillator
- Easy Crystal Impedance Checker
- Hex Buffer Crystal Oscillator
- Multi-Output Timebase
- Crystal Activity Tester
- 10- to 1-Hz Timebase
- Crystal Tester
- Wide-Range Crystal Oscillator
- Pierce Oscillator
- Crystal-Controlled Hartley Oscillator

LOW-FREQUENCY CRYSTAL OSCILLATOR

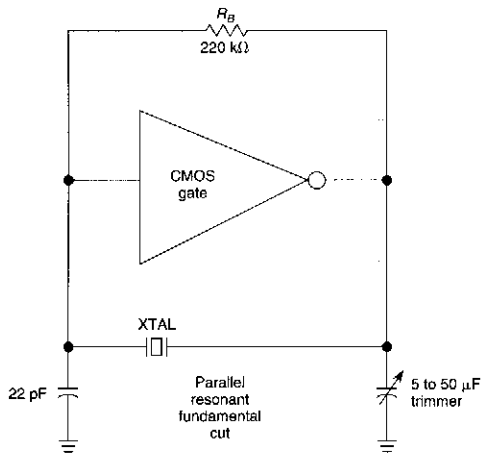


RF DESIGN

FIG. 20-1

Q1, Q2, and the associated circuitry form a modified astable multivibrator in which the loop gain is automatically adjusted to the threshold of oscillation by means of field effect transistor Q3. Q4 linearly amplifies the signal present at the collector of Q2 and isolates the oscillator section of the circuit from the output. This stage features wideband operation and delivers a clean 2.5-V amplitude sinc wave into a resistive load greater than or equal to 20 kΩ. The stage comprising Q5 has a voltage gain of 1 and its sole purpose is to isolate the nonlinear effects of rectifier D1 from the output.

CRYSTAL OSCILLATOR

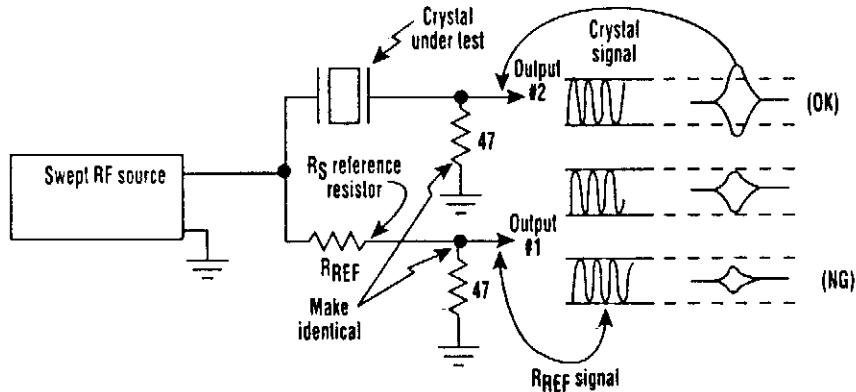


WILLIAM SHEETS

FIG. 20-2

The CMOS amplifier is biased into the linear region by resistor R_p . The pi-type crystal network (C1 and C2, and XTAL) provides the 180° phase shift at the resonant frequency which causes the circuit to oscillate.

EASY CRYSTAL IMPEDANCE CHECKER



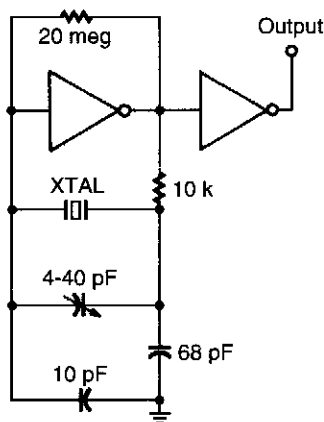
ELECTRONIC DESIGN

FIG. 20-3

On occasion, microprocessors/microcomputers and microprocessor crystals just aren't compatible with each other. Many microprocessor data sheets specify maximum values for a crystal's equivalent series resistance (R_S) that aren't met by some crystals advertised for microprocessor/microcomputer use. As a result, a crystal with an R_S value greater than the maximum specified for the chip might cause problems, such as a balky or even inoperative clock oscillator.

To tackle this problem, a suspected crystal can be given a quick check for R_S with a simple test setup that consists of a sweep generator, oscilloscope, and three resistors (see the figure). When the frequency source is brought to the crystal's frequency, output 2 will maximize. If it exceeds the amplitude of output 1, the crystal's R_S value will be less than the R_S reference resistor's value. If it doesn't exceed output 1's amplitude, the crystal's R_S value is too large.

HEX BUFFER CRYSTAL OSCILLATOR

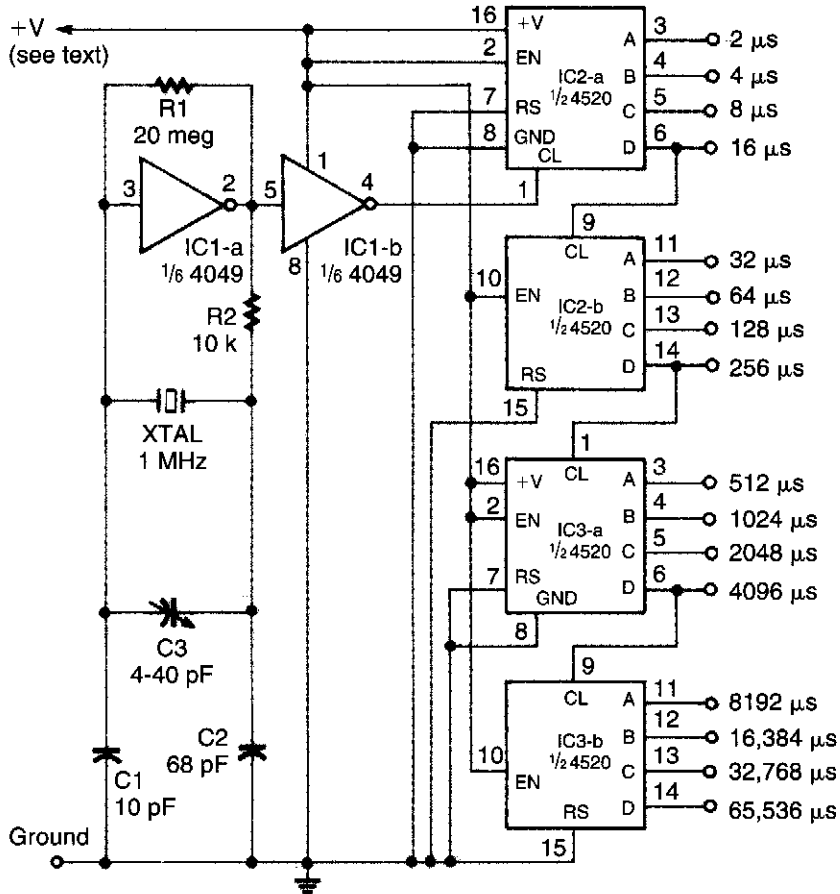


A 4049 single section acts as a crystal oscillator, driving another section as a buffer, leaving four sections for other use. Use a 32- or 20-pF parallel resonant fundamental crystal.

ELECTRONICS NOW

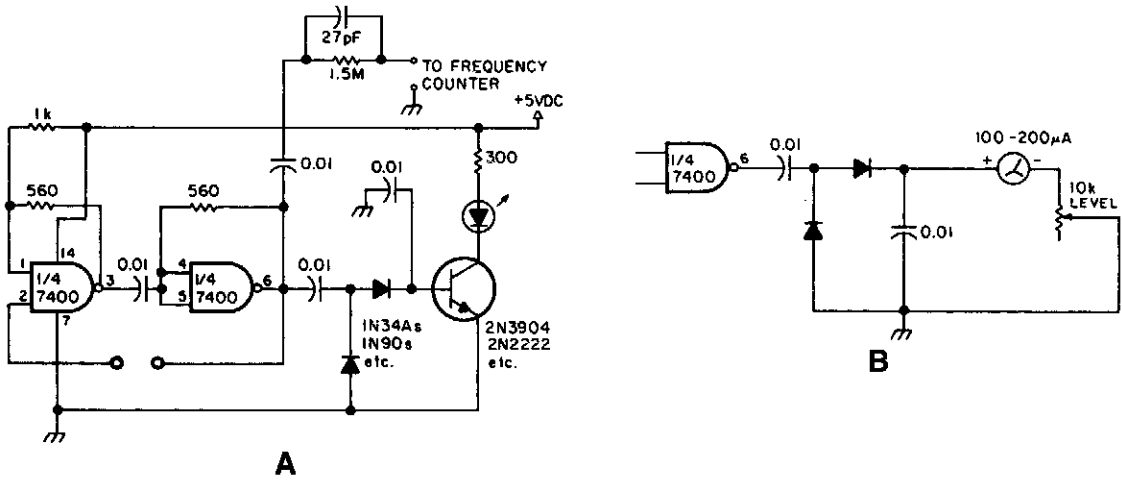
FIG. 20-4

MULTI-OUTPUT TIMEBASE



A 1-MHz oscillator drives a binary counter to produce pulse widths from 2 to 65,536 ms. V_+ is any CMOS suitable level (5 to 15 V, etc.).

CRYSTAL ACTIVITY TESTER

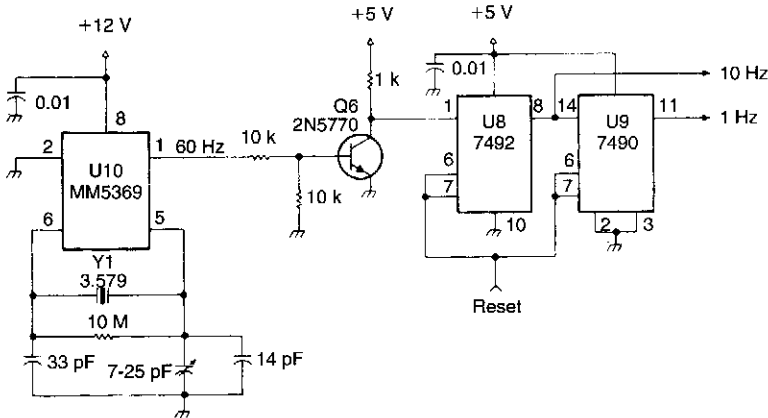


73 AMATEUR RADIO TODAY

FIG. 20-6

This circuit will check a crystal for activity. Two sections of a 7400 act as an oscillator and its output is rectified and drives an npn transistor that switches an LED (Fig. A). In Fig. B, a meter replaces the LED.

10- TO 1-Hz TIMEBASE

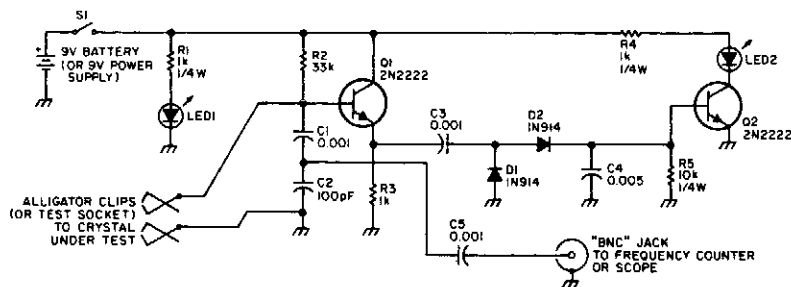


73 AMATEUR RADIO TODAY

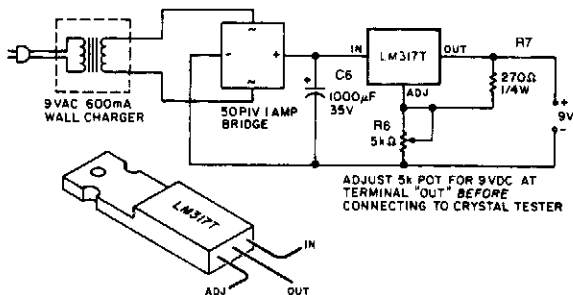
FIG. 20-7

This system uses an MM5369 IC to derive a 60-Hz signal from a TV burst crystal (3579 MHz). V8 and V9 produce a 10-Hz and 1-Hz signal from this 60-Hz signal. Y1 can be any parallel-mode 3.579-MHz crystal.

CRYSTAL TESTER



A



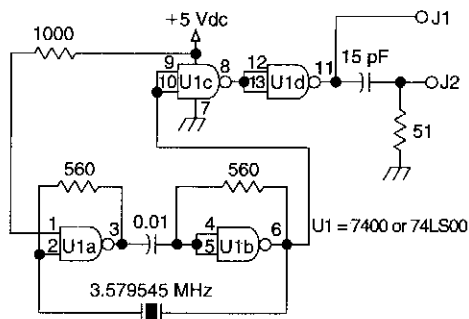
B

73 AMATEUR RADIO TODAY

FIG. 20-8

Q1 acts as a Colpitts crystal oscillator, and if the crystal under test is operational, the RF signal is rectified by D1 and D2, turning on Q2 and lighting indicator LED2. LED1 is a power indicator.

WIDE-RANGE CRYSTAL OSCILLATOR

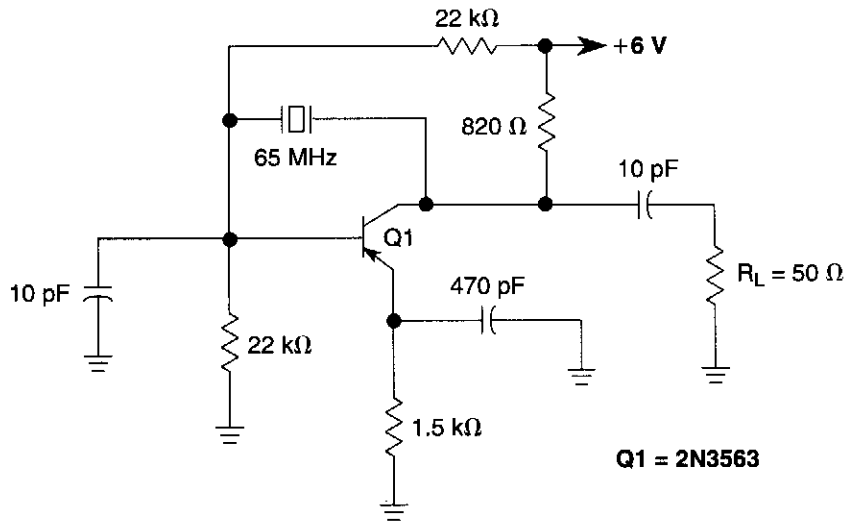


A circuit using one 7400 TTL IC can use crystals of the fundamental type, from 1 to about 13 MHz. Output is rich in harmonics, making this oscillator useful for calibrations and test applications.

73 AMATEUR RADIO TODAY

FIG. 20-9

PIERCE OSCILLATOR

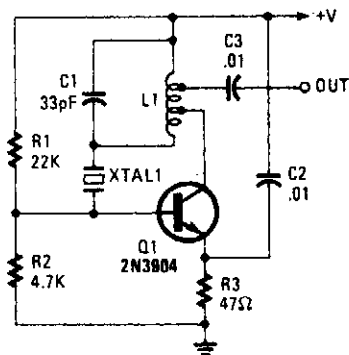


WILLIAM SHEETS

FIG. 20-10

This Pierce oscillator uses a fundamental-mode 65-MHz crystal.

CRYSTAL-CONTROLLED HARTLEY OSCILLATOR



POPULAR ELECTRONICS

FIG. 20-11

21

Current-Source Circuits

The sources of the following circuits are contained in the Sources section, which begins on page 675. The figure number in the box of each circuit correlates to the entry in the Sources section.

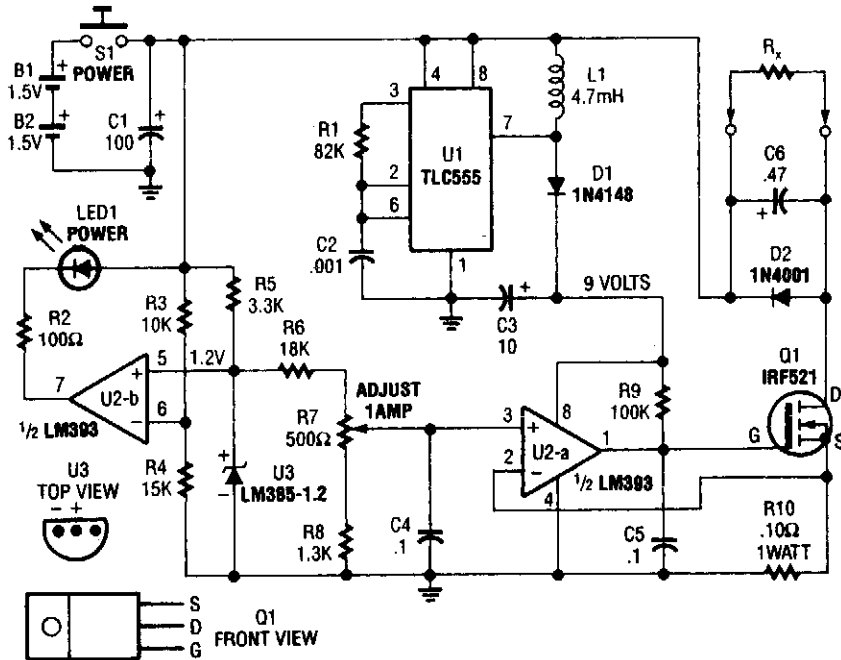
Current Source for Low-Resistance Measurements

Precision Positive Current Source

Bilateral Current Source

Precision Negative Current Source

CURRENT SOURCE FOR LOW-RESISTANCE MEASUREMENTS

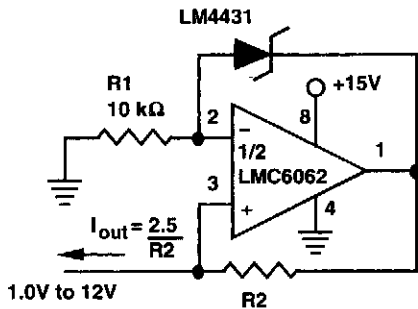


1993 ELECTRONICS HOBBYISTS HANDBOOK

FIG. 21-1

Useful for low-resistance measurements, this 1-A current source will produce 1 A in unknown resistance R_x . For best results, R_x should be less than 1 to 2 Ω , because only 3 V are available. U1 is a flyback converter to generate 9 V for U2.

PRECISION POSITIVE CURRENT SOURCE

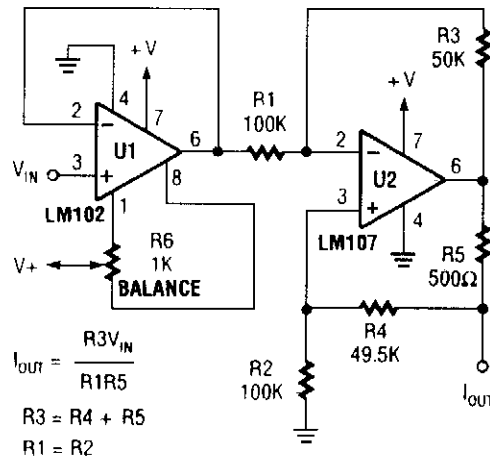


An LM4431 precision 2.5-V reference and an LMC6062 op amp to make a positive current source, from 1 mA to 10 mA.

NATIONAL SEMICONDUCTOR

FIG. 21-2

BILATERAL CURRENT SOURCE

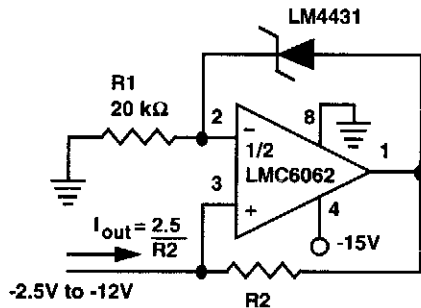


POPULAR ELECTRONICS

FIG. 21-3

Using two op amps, this circuit produces current proportional to V_{IN} .

PRECISION NEGATIVE CURRENT SOURCE



A National Semiconductor LM4431 reference and an LMC6062 op amp make up a negative current source. Current range is 1 μA to 1 mA.

NATIONAL SEMICONDUCTOR

FIG. 21-4

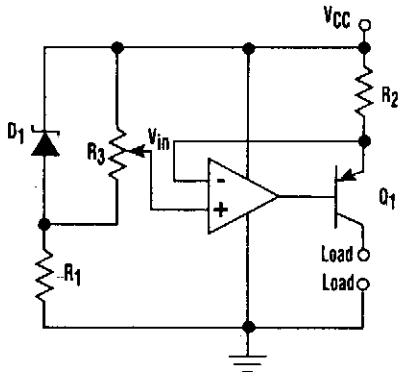
22

Current Limiter and Control Circuits

The sources of the following circuits are contained in the Sources section, which begins on page 675. The figure number in the box of each circuit correlates to the entry in the Sources section.

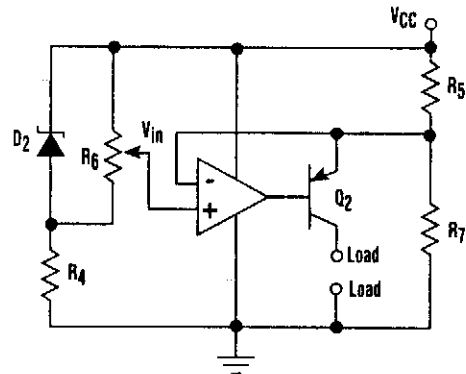
Offset-Adjusting Current Source
Inrush Current Limiter

OFFSET-ADJUSTING CURRENT SOURCE



1. Though this setup can act as a cost-effective current source with an output accurate to 1%, the voltage offset will turn on the current source even when V_{CC} equals V_{in} .

A



2. Modifying the configuration of Figure 1 can rectify the problem of the current source being turned on by the voltage offset. The addition of R_7 allows an adjustment that guarantees turn-off for any op-amp offset specification.

B

FIG. 22-1

By carefully choosing components, you can create a cost effective circuit for a current source with an output that's accurate to 1% (Fig. A). I_{OUT} (the current flowing from the collector of Q1) is $V_{CC} - V_{IN}$ (the voltage at the wiper of R3) divided by the value of R_2 .

In some instances, it's important to be able to turn off the current source (within the limits of I_{CEO} for Q1). Unfortunately, in about half of these cases, the offset voltage (V_{OS}) of the op amp will turn the current source on even when $V_{CC} = V_{IN}$. That's because the offset voltage (when the noninverting input needs to be at a higher potential than the inverting input to get an output of 0 V from the op amp) is impressed across R2. This offset voltage forces Q1 to turn on enough to yield a collector current of V_{OS} divided by R_2 .

Figure B offers a fix for this predicament. The addition of R7 presents the emitter of Q2 with a Thevenin equivalent voltage and resistance represented by:

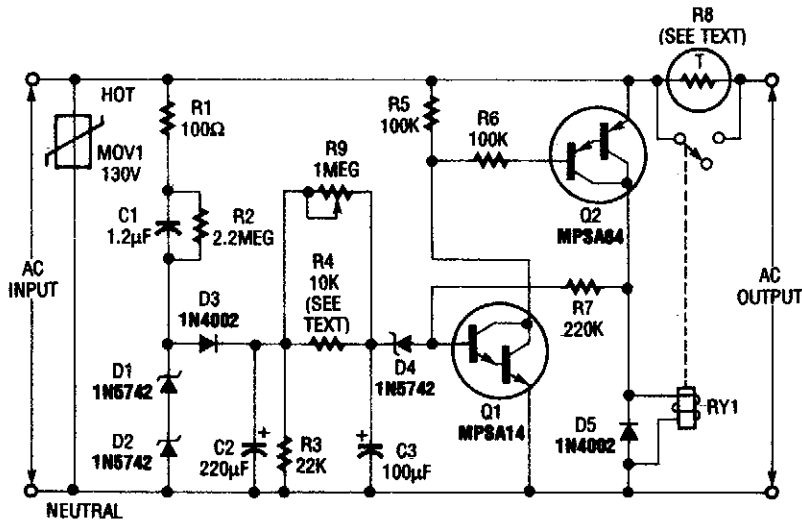
$$V_{TH} = \frac{V_{CC}(1 - R_5)}{R_5 + R_7}$$

$$R_{TH} = \frac{R_5 \times R_7}{R_5 + R_7}$$

The difference between V_{CC} and V_{TH} is $V_{CC}(R_5/R_5 + R_7)$. If $V_{CC}(R_5/R_5 + R_7)$ is set equal to the maximum V_{OS} spec for the op amp in question, the circuit is then guaranteed to turn off. This circuit has an output current of $V_{TH} - V_{IN}$ divided by R_{TH} .

The compromise of Fig. B does present another error term in the circuit. The term $(V_{TH} - V_{IN})$ will have to be $2 \times V_{OS}$ to guarantee a current output for whole population of the op amp chosen. This error can be made arbitrarily small (but not zero) by increasing the voltage of D2 and V_{CC} while raising the value of D2 and V_{CC} while also raising the value of the equivalent resistance R_{TH} .

INRUSH CURRENT LIMITER



ELECTRONICS NOW

FIG. 22-2

Q1 is an npn Darlington and Q2 is a pnp Darlington. MOV1 is a metal-oxide varistor and R8 is an NTC thermistor for limiting inrush current.

This circuit limits ac line current to a load. When a predetermined interval has passed, RY1 shorts out thermistor or resistance RB. R4 can be 150 kΩ if R9 is not used. If power is removed, the circuit is ready for immediate restart.

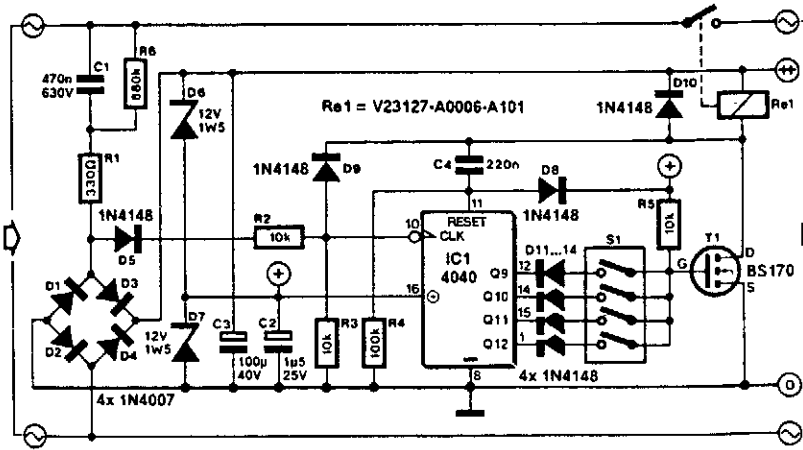
23

Delay Circuit

The source of the following circuit is contained in the Sources section, which begins on page 675. The figure number in the box of the circuit correlates to the entry in the Sources section.

Power-On Delay Circuit

POWER-ON DELAY CIRCUIT



DELAY TIMES				
Switches S_1				Time (s)
1	2	3	4	
0	0	0	0	0.0
0	0	0	1	5.1
0	0	1	0	10.2
0	0	1	1	15.4
0	1	0	0	20.5
0	1	0	1	25.6
0	1	1	0	30.7
0	1	1	1	35.8
1	0	0	0	41.0
1	0	0	1	46.1
1	0	1	0	51.2
1	0	1	1	56.3
1	1	0	0	61.4
1	1	0	1	66.6
1	1	1	0	71.7
1	1	1	1	76.8

ELEKTOR ELECTRONICS

FIG. 23-1

Using an IC to count ac mains pulses, the circuit produces 16 various delay times, where ac power is applied to a load after a preset interval.

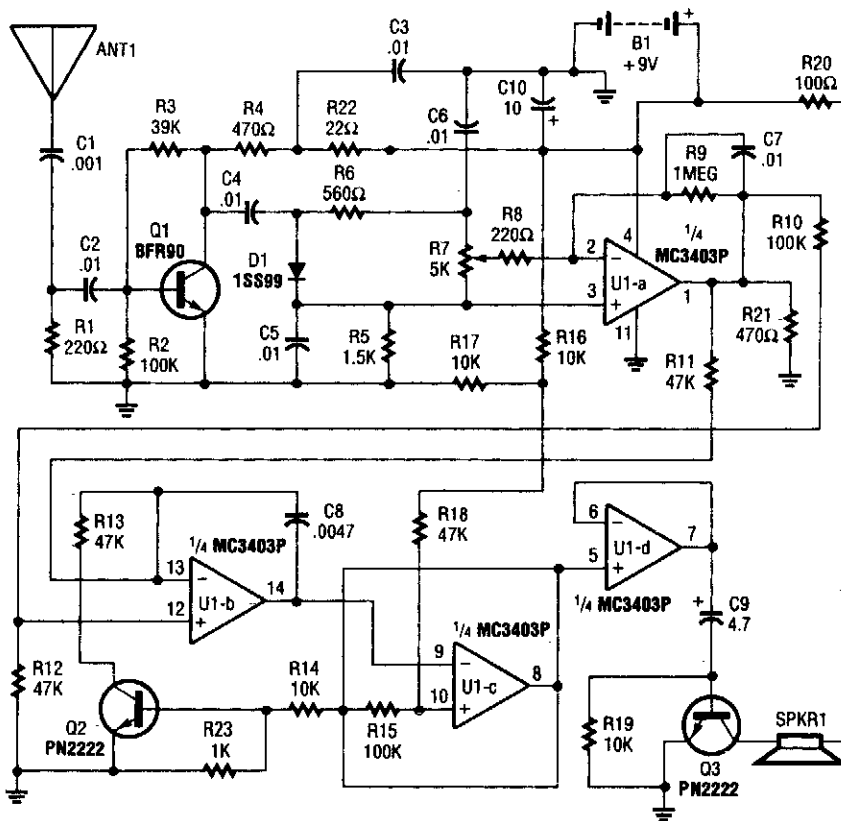
24

Detector, Demodulator, and Discriminator Circuits

The sources of the following circuits are contained in the Sources section, which begins on page 675. The figure number in the box of each circuit correlates to the entry in the Sources section.

- Bug Detector
- FM Demodulator
- 555 Missing Pulse Detector
- Simple Full-Wave Envelope Detector
- Open-Loop Peak Detector
- Closed-Loop Peak Detector
- Fast Pulse Detector
- Air-Flow Detector
- Negative Peak Detector
- Low-Drift Peak Detector
- 455-kHz FM Demodulator

BUG DETECTOR



1992 PE HOBBYIST HANDBOOK

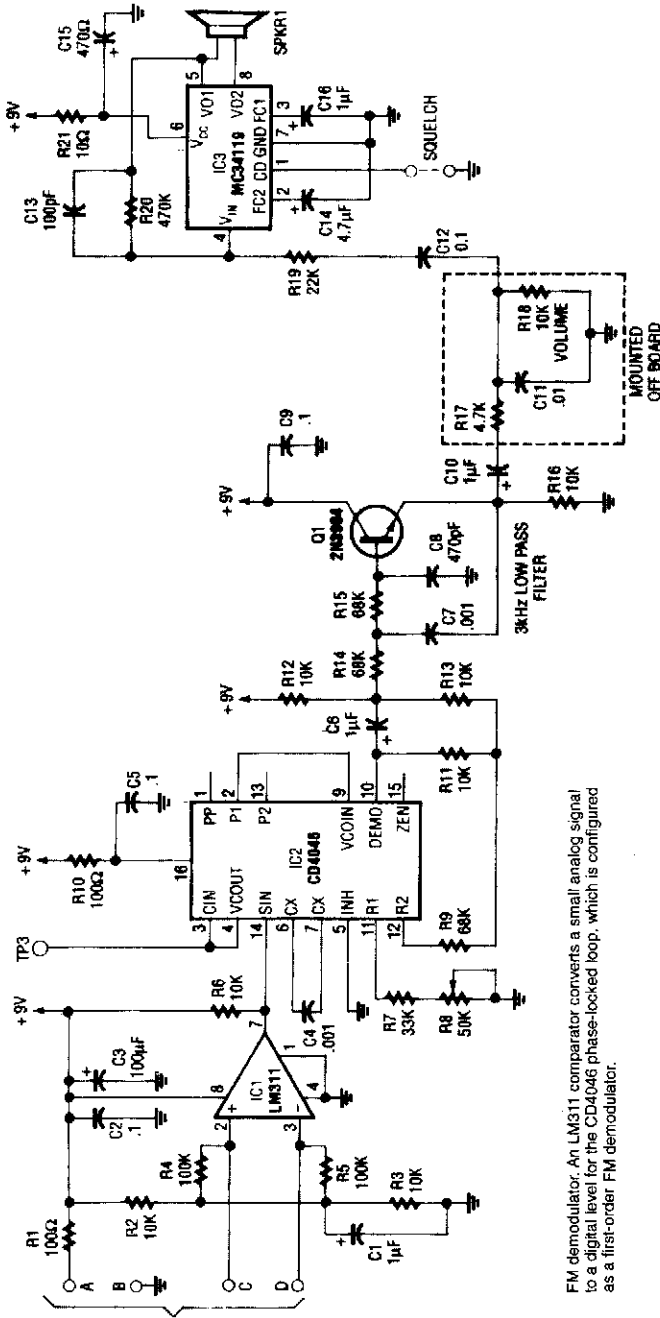
FIG. 24-1

The circuit, built around a single integrated circuit (U1, an MC3403P quad op amp), three transistors (Q1-Q3), and a few support components, receives its input from the antenna (ANT1). The signal is fed through a high-pass filter, formed by C1, C2, and R1, which eliminates bothersome 60-Hz pickup from any nearby power lines or line cords located in and around buildings and homes.

From the high-pass filter, the signal is applied to transistor Q1 (which provides a 10-dB gain for frequencies in the 1- to 2000-MHz range) for amplification. Resistors R2, R3, and R4 form the biasing network for Q1. The amplified signal is then ac coupled, via capacitor C4 and resistor R7's (the sensitivity control) wiper, to the inverting input (pin 2) of U1-a. Op amp U1-a is configured as a very high gain amplifier. With no signal input from ANT1, the output of U1-a at pin 1 is near ground potential.

When a signal from the antenna is applied to the base of Q1, it turns on, producing a negative-going voltage at the cathode of D1. That voltage is applied to pin 1 of U1-a, which amplifies and inverts the signal, producing a positive-going output at pin 1. Op amps U1-b and U1-c along with C8, R10 through R18, and Q2 are arranged to form a voltage-controlled oscillator (VCO) that operates over the audio-frequency range. As the output of U1-a increases, the frequency of the VCO increases. The VCO output, at pin 8 of U1-c, is fed to the input of U1-d, which is configured as a noninverting, unity-gain (buffer) amplifier. The output of U1-d is used to drive Q3, which, in turn, drives the output speaker.

FM DEMODULATOR



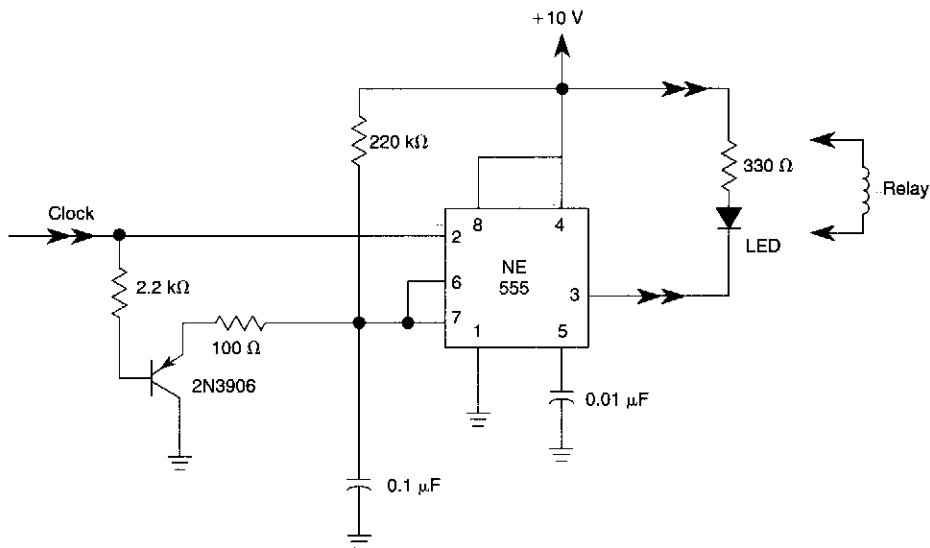
FM demodulator. An LM311 comparator converts a small analog signal to a digital level for the CD4046 phase-locked loop, which is configured as a first-order FM demodulator.

ELECTRONICS NOW

FIG. 24-2

An LM311 comparator converts a small analog signal to a digital level for the DC4046 phase-locked loop, which is configured as a first-order FM demodulator. This demodulator works with a 50-kHz FM modulated input signal. It has applications in FM light beam receivers or in remote control applications. Pin 1 of IC3 can be used to squelch the receiver if it is lifted from ground; if not desired, leave it grounded.

555 MISSING PULSE DETECTOR

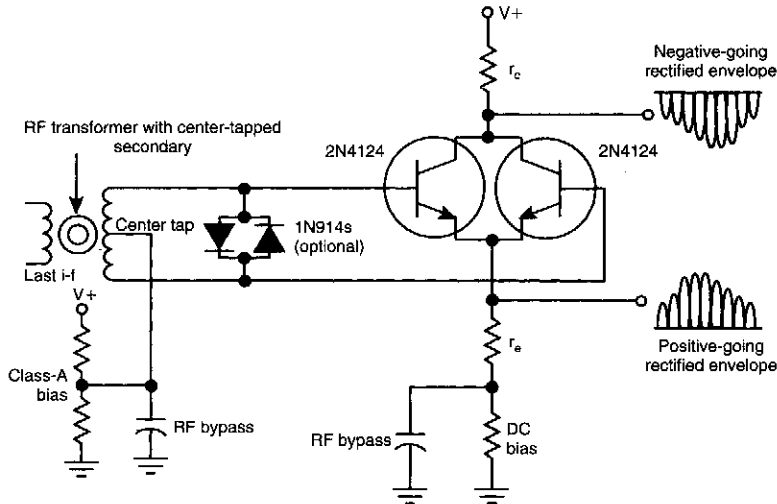


WILLIAM SHEETS

FIG. 24-3

This missing pulse detector can use an LED or relay output.

SIMPLE FULL-WAVE ENVELOPE DETECTOR

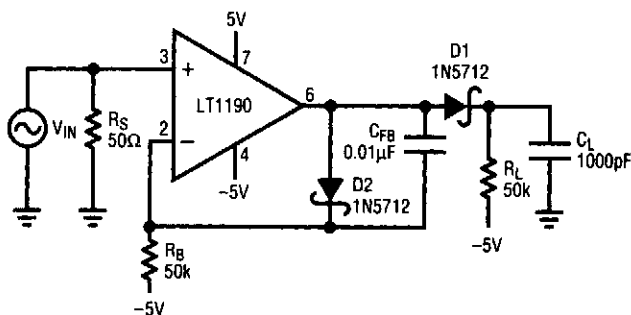


ELECTRONIC DESIGN

FIG. 24-4

Simple, yet sensitive, this amplifying full-wave detector circuit has an almost zero rectification threshold. It presents a highly linear RF load to the final IF stage. The gain for the collector output is given (approximately) by r_c/r_e . The emitter output gain is slightly less than unity.

OPEN-LOOP PEAK DETECTOR

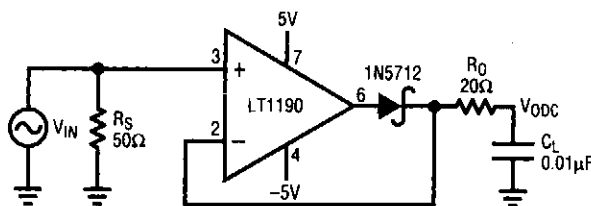


LINEAR TECHNOLOGY

FIG. 24-5

In this open-loop design, the detector diode is D_1 , and a level shifting or compensating diode is D_2 . Load resistor R_L is connected to -5 V, and an identical bias resistor R_L is connected to -5 V, and identical bias resistor R_B is used to bias the compensating diode. Resistors with equal values ensure that the diode drops are equal. Low values of R_L and R_B (1 k Ω to 10 k Ω) provide fast response, but at the expense of poor low-frequency accuracy. High values of R_L and R_B provide good low-frequency accuracy, but cause the amplifier to slew rate limit, resulting in poor high-frequency accuracy. A good compromise can be made by adding a feedback capacitor C_{FB} , which enhances the negative slew rate on the (-) input.

CLOSED-LOOP PEAK DETECTOR

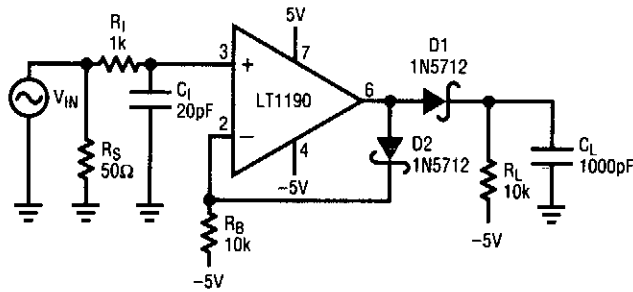


LINEAR TECHNOLOGY

FIG. 24-6

This closed-loop peak detector circuit uses a Schottky diode inside feedback loop to obtain good accuracy. The 20- Ω resistance R_O isolates the 0.01- μF load and prevents oscillation. The dc value is read with a DVM. At a low frequency, the error is small and dominated by the decay of the detector capacitor between cycles. As the frequency rises, the error increases because capacitor charging time decreases. During this time, the overdrive becomes a very small portion of a sine-wave cycle. Finally, at approximately 4 MHz, the error rises rapidly because of the slew-rate limitation of the op amp.

FAST PULSE DETECTOR

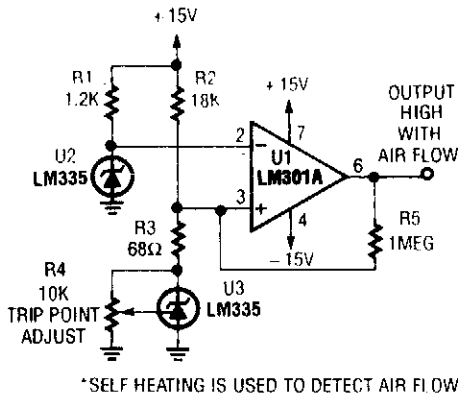


LINEAR TECHNOLOGY

FIG. 24-7

A fast pulse detector can be made with this circuit. A very fast input pulse will exceed the amplifier slew rate and cause a long overload recovery time. Some amount of dv/dt limiting on the input can help this overload condition, however this will delay the response.

AIR-FLOW DETECTOR

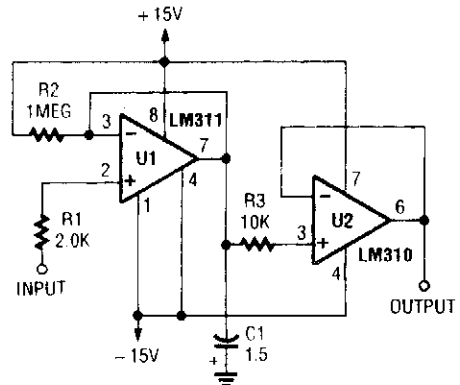


POPULAR ELECTRONICS

FIG. 24-8

Two precision temperature sensors are used to detect a small temperature difference. When air flow occurs, self-heating of the LM335 is reduced, and the output of the two temperature sensors is unequal. This is amplified by U_1 .

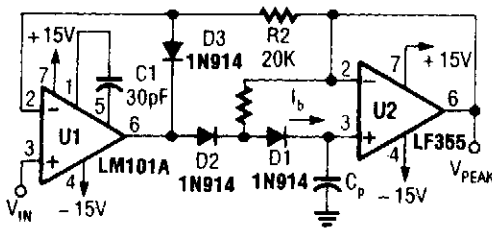
NEGATIVE PEAK DETECTOR



POPULAR ELECTRONICS

FIG. 24-9

LOW-DRIFT PEAK DETECTOR



Leakage of D2 is provided by feedback path through R_f .

Leakage of circuit is essentially I_b (LF155, LF156) plus capacitor leakage of C_p .

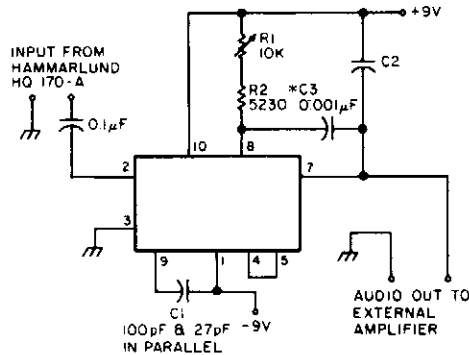
Diode D3 clamps V_{out} (A1) to $V_{in} - V_{D3}$ to improve speed and to limit reverse bias of D2.

Maximum input frequency should be $\ll \frac{1}{2} \pi R_f C_{D2}$, where C_{D2} is shunt capacitance of D2.

POPULAR ELECTRONICS

FIG. 24-10

455-kHz FM DEMODULATOR



*C3 IS REQUIRED TO ELIMINATE POSSIBLE OSCILLATION IN THE CONTROL CURRENT SOURCE

73 AMATEUR RADIO

FIG. 24-11

Free-running frequency of VCO: $f_o = 1.2/4 (R_1) (C_1)$

lock range $f_l = \pm 8f_o/V_{CC}$

capture range $f_c = \pm \frac{1}{2} \pi \sqrt{\frac{2\pi F_L}{r}}$

where $r = (3.6 \times 10^3) (C_2)$

Useful for NBFM reception on older shortwave receivers lacking this capability, this circuit uses a PLL IC, an N565N, to achieve this. It was originally used with an old Hammarlund HQ-170 receiver, for both 6- and 10-m FM reception.

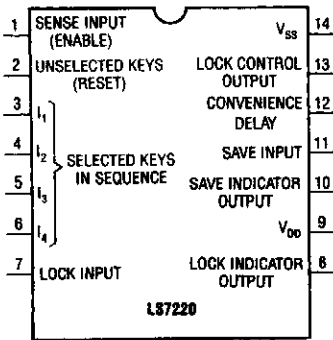
25

Digital Circuits

The sources of the following circuits are contained in the Sources section, which begins on page 675. The figure number in the box of each circuit correlates to the entry in the Sources section.

Digital Entry Lock
Digital Audio Selector
Digital Multiple-Gang Potentiometer Control
Digital Resistance Control
Digital Capacitance Control
BCD Rotary Switch

DIGITAL ENTRY LOCK



The LS7220 keyless lock (a pinout of which is shown here) is a special-purpose IC designed to accept a four-digit code.

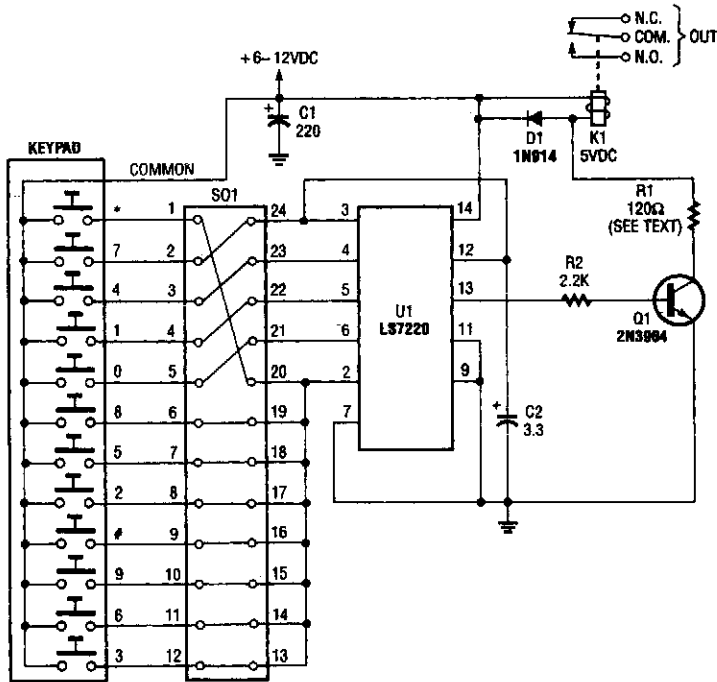


FIG. 25-1

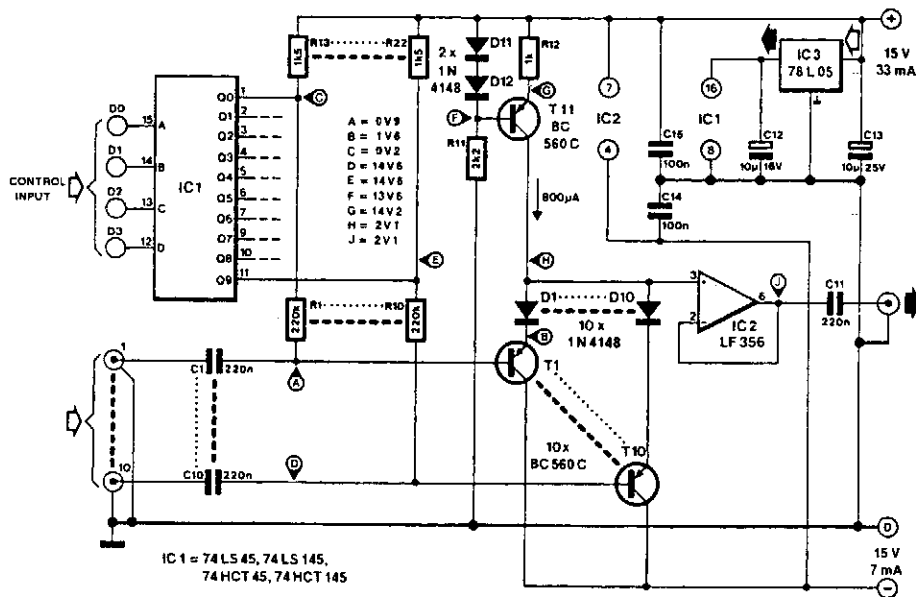
A block pinout diagram of the LS7220 keyless-lock IC is shown. The keypad must provide each key with a contact to a common connection. In this case, the common connection goes to the positive supply rail so that when a key is pressed, a positive voltage is passed through to the wire associated with that key. Each of the 12 keys are brought out to separate wires, and each wire is connected to a different pin of a 24-pin socket (SO1).

To activate (unlock) the circuit, a preprogrammed four-digit access code must be entered in the proper sequence. The four-digit access code must be entered in the proper sequence. The four-digit access is programmed into the circuit by connecting jumpers between terminals of a 24-pin plug-in header.

When the correct access code is entered (in the proper sequence), positive voltages appear at pins 3, 4, 5, and 6 of U1. That causes U1 to output a positive voltage at pin 13, which is fed through resistor R2 to the base of Q1, causing it to conduct. With Q1 conducting, its collector is pulled to ground potential, energizing relay K1. The normally open relay contacts close, switching on any external device.

Capacitor C2 controls the total time that the output of U1 at pin 13 is positive after the release of the first key. With a value of 3.3 µF for C2, active time after release of the first key is about two seconds, assuming a 6-V supply or four seconds with a 12-V supply. Therefore, if you push the subsequent keys too slowly, the relay might not close at all! To increase the time allotted for code entry, you will have to increase the capacitance of C2.

DIGITAL AUDIO SELECTOR

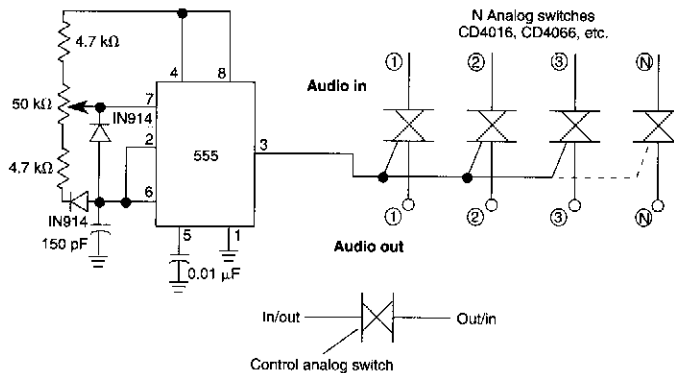


303 CIRCUITS

FIG. 25-2

This circuit uses switched emitter followers, rather than the usual analog switch CMOS chips. This yields better reduction of crosstalk between channels. This circuit can handle up to $4 V_{\text{rms}}$ with less than -80-dB crosstalk.

DIGITAL MULTIPLE-GANG POTENTIOMETER CONTROL

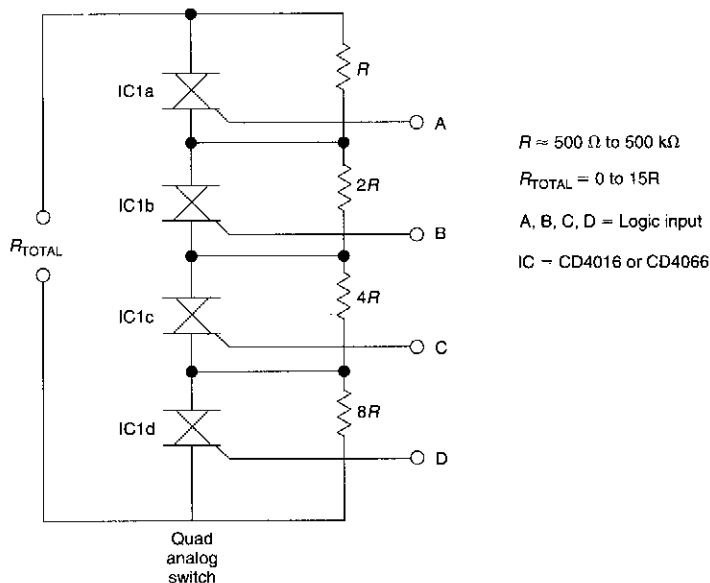


WILLIAM SHEETS

FIG. 25-3

A 555 timer can be configured to simulate a multi-gang potentiometer by controlling the mark-space ratio. The switching rate should be at least twice the maximum expected signal frequency the potentiometer has to handle.

DIGITAL RESISTANCE CONTROL

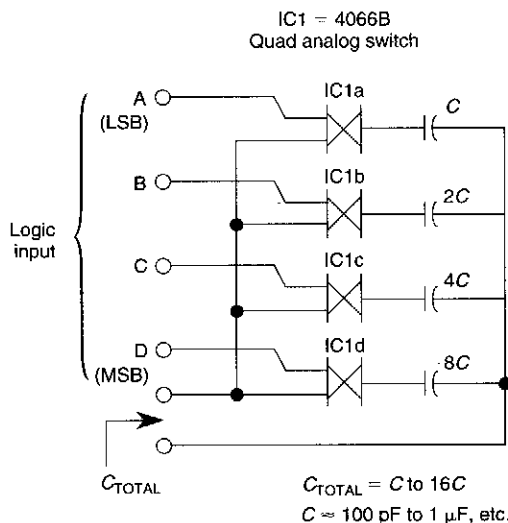


WILLIAM SHEETS

FIG. 25-4

Digital resistance control is possible with bilateral switches. Do not forget that analog switches have "on" resistance.

DIGITAL CAPACITANCE CONTROL

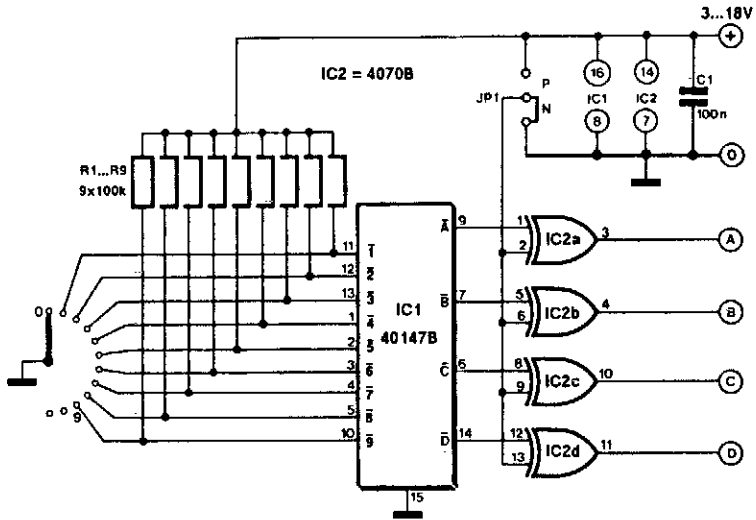


Digital capacitance control is possible with bilateral switches. Do not forget to consider "ON" resistance of the analog switches.

WILLIAM SHEETS

FIG. 25-5

BCD ROTARY SWITCH



ELEKTOR ELECTRONICS USA

FIG. 25-6

This circuit allows a simple rotary switch to emulate a BCD switch. The circuit draws about 200 mA. A 10-position rotary switch is used.

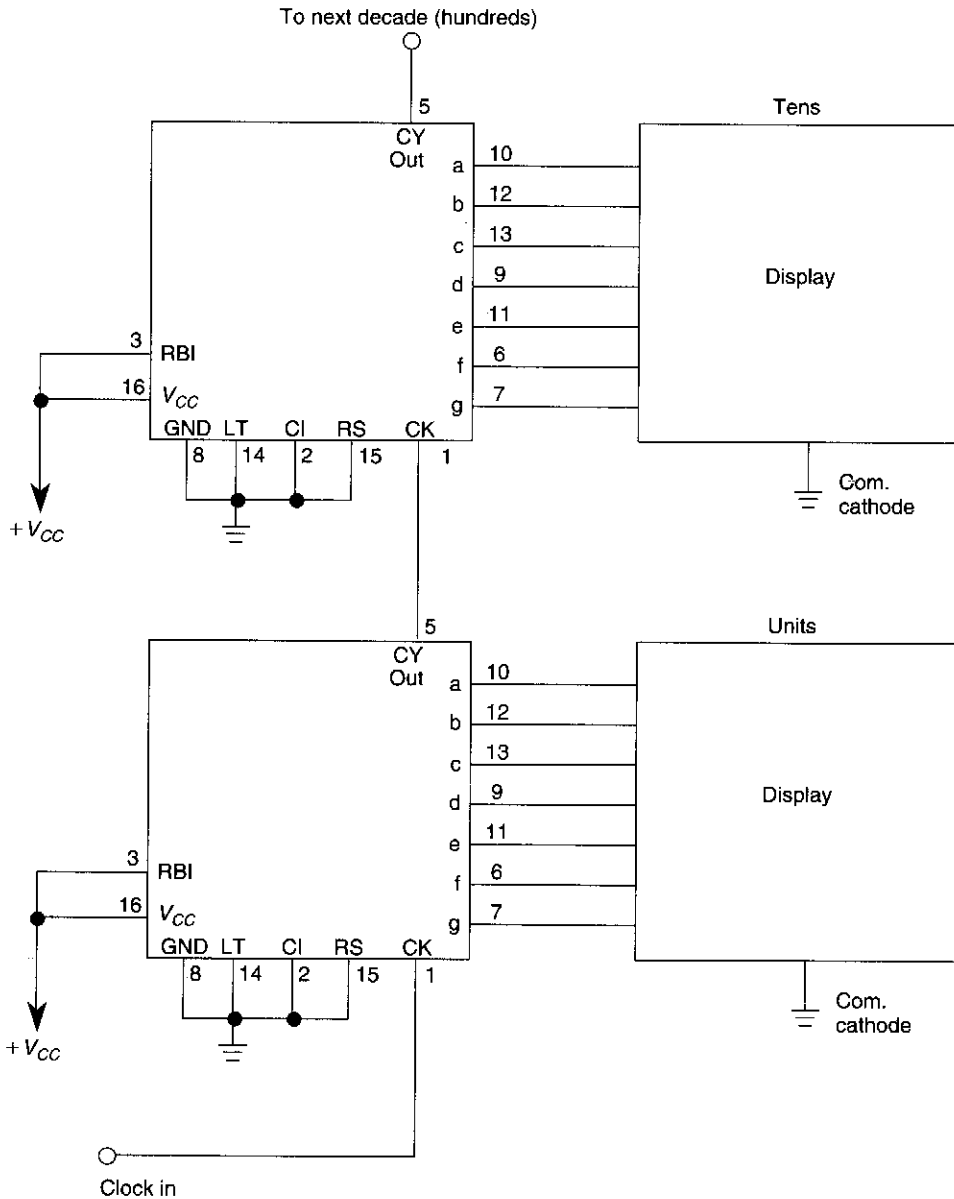
26

Display Circuits

The sources of the following circuits are contained in the Sources section, which begins on page 675. The figure number in the box of each circuit correlates to the entry in the Sources section.

4033 Display Circuitry Common Cathode
Cascaded 4026B Counter/Display Driver Circuit
Large LCD Display Buffering Driver
7-Segment LCD Driver
LED Display Leading-Zero Suppressor
7-Segment Common-Cathode LED Display Driver
7-Segment (LED) Display Driver
4543B 7-Segment LCD Driver
Gas Discharge Tube or Display Driver
4511B Common-Anode Display Driver
Fluorescent Tube Display Driver
4543B Common-Cathode LED Driver

4033 DISPLAY CIRCUITRY COMMON CATHODE

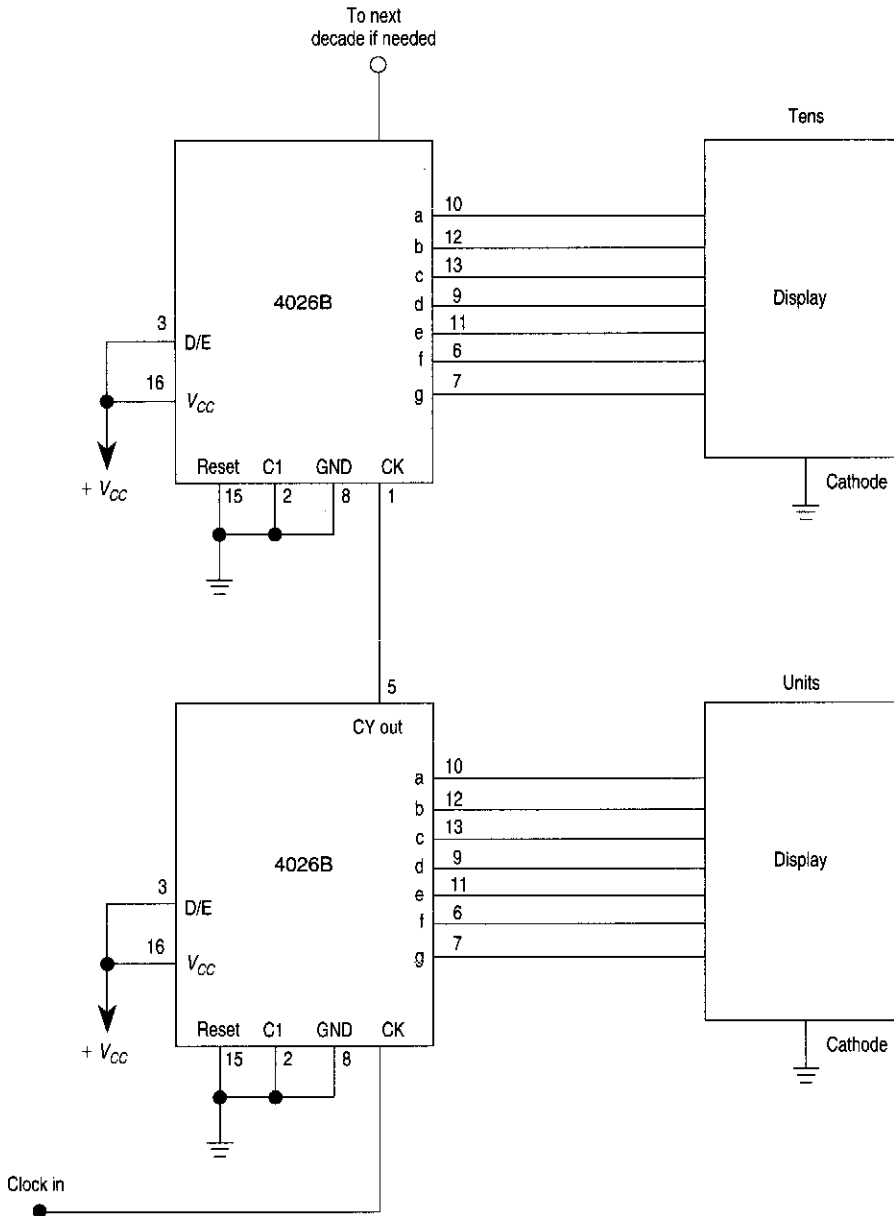


WILLIAM SHEETS

FIG. 26-1

To drive two or more common-cathode displays two or more 4033 decode counters can be cascaded.

CASCADED 4026B COUNTER/DISPLAY DRIVER CIRCUIT

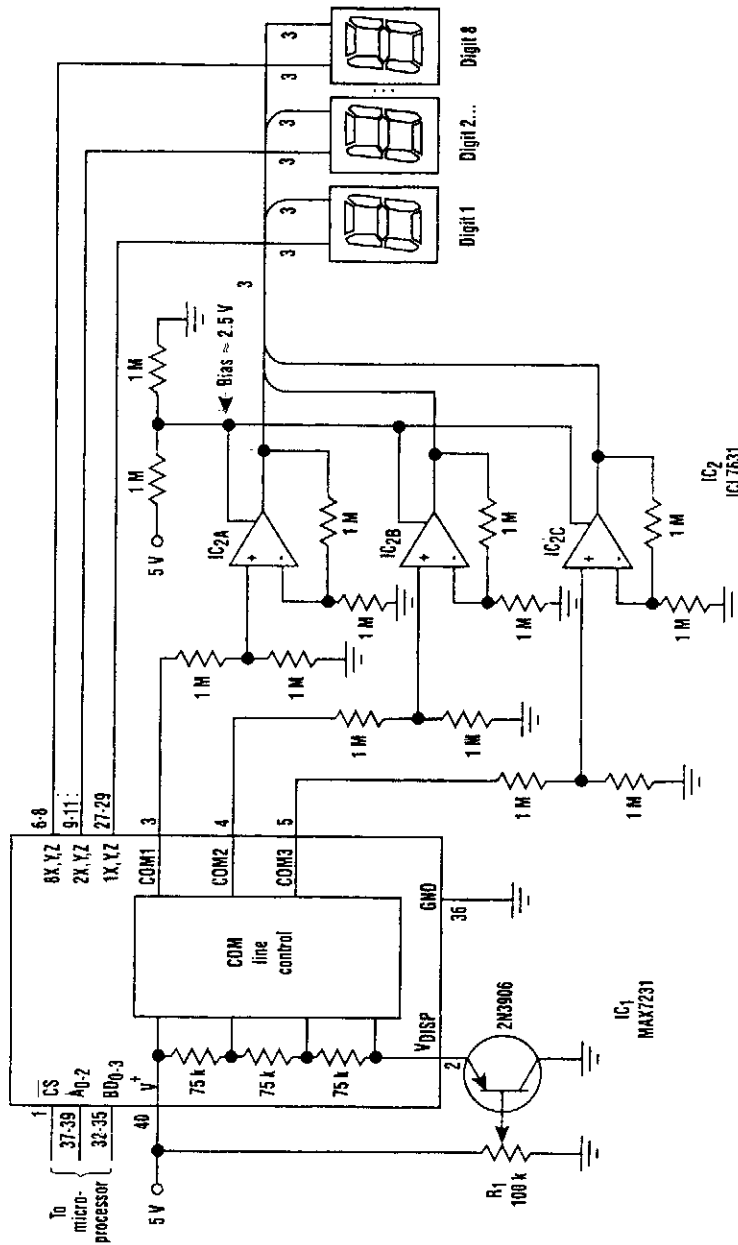


WILLIAM SHEETS

FIG. 26-2

Two or more 4026B counters can be cascaded as shown to give a multiple-digit display. Two, three or more displays can thus be connected.

LARGE LCD DISPLAY BUFFERING DRIVER



ELECTRONIC DESIGN

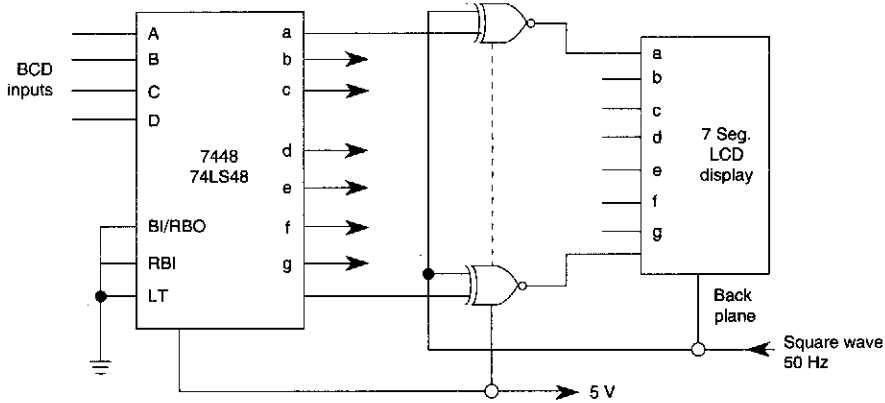
FIG. 26-3

Large LCD devices of 1" or more exhibit a large driving capacitance to the driver circuits. To solve this problem, the drive circuit shown (see the figure) introduces a buffer amplifier for each of the three common lines. Each amplifier can be programmed independently for a quiescent current of 10, 100, or 1000 μA . In this application, the bias network applies a voltage that sets the three quiescent currents to 100 μA .

The display driver and triple op amp operate between 5 V and ground, and the COM signals range from 5 V to ≈ 1 V. To ensure that these signals remain within the amplifiers' common-mode range, the signals are attenuated by one-half and the buffers operate at a gain of two. The circuit drives eight 1-inch displays, and is suitable for ambient temperature variations of 15°F or less. At the highest expected temperature, R1 should be adjusted so that no "off" segments are visible.

7-SEGMENT LCD DRIVER

2 Required
7486, 74LS86, etc.
exclusive OR gates or equivalent

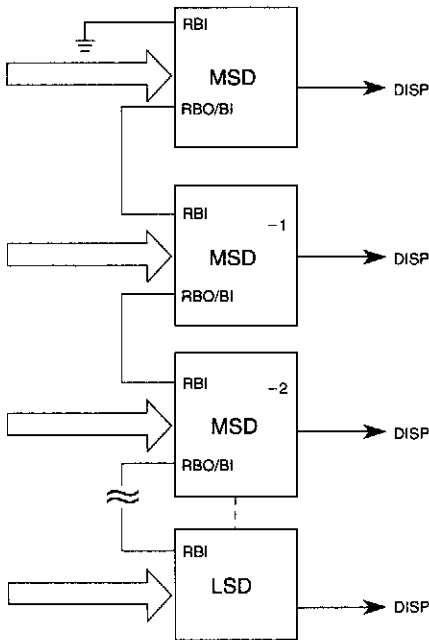


WILLIAM SHEETS

FIG. 26-4

This circuit shows how a 7448 IC is used to drive a 7-segment LCD display. An external 50-Hz square wave supplies necessary phase signals to the back plane of the display.

LED DISPLAY LEADING-ZERO SUPPRESSOR

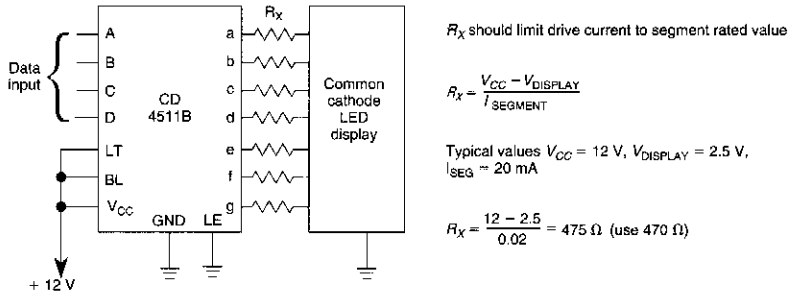


The diagram shows how to connect 7447-type IC devices for leading-zero suppression in an LED display.

WILLIAM SHEETS

FIG. 26-5

7-SEGMENT COMMON-CATHODE LED DISPLAY DRIVER

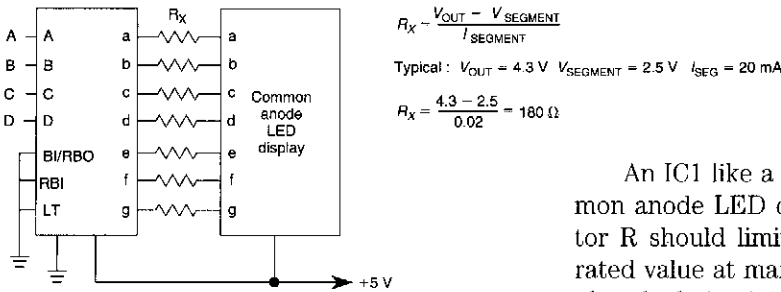


WILLIAM SHEETS

FIG. 26-6

A CD4511B CMOS LED display driver can be used to drive a common cathode LED display. Current limiting resistors limit the segment current to the rated value at maximum supply voltage. A sample calculation is shown.

7-SEGMENT (LED) DISPLAY DRIVER

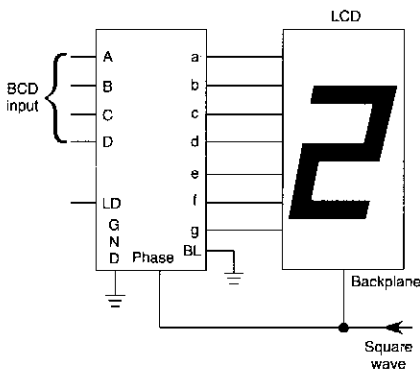


WILLIAM SHEETS

FIG. 26-7

An IC1 like a 7447 drives a 7-segment common anode LED display. Current limiting resistor R should limit the segment current to the rated value at maximum supply voltage. A sample calculation is shown.

4543B 7-SEGMENT LCD DRIVER



WILLIAM SHEETS

FIG. 26-8

The circuit shows a frequently-used method of driving an LCD display. A square-wave drive is necessary for this application.

GAS DISCHARGE TUBE OR DISPLAY DRIVER

WILLIAM SHEETS

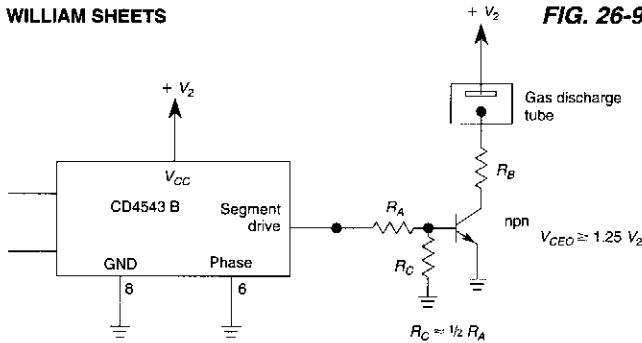


FIG. 26-9

To drive the display, R_A should provide a drive of about 1 mA to the gas discharge tube. R_B is a current-limiting resistor.

4511B COMMON-ANODE DISPLAY DRIVER

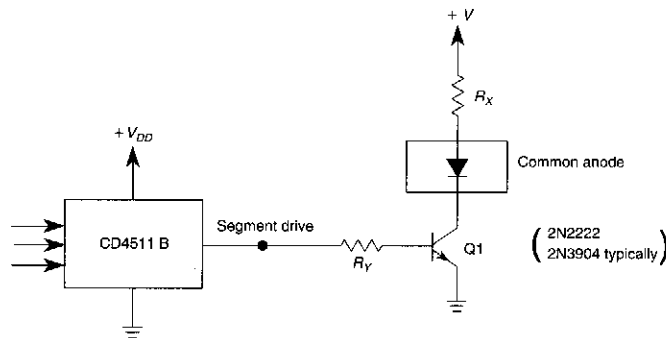


FIG. 26-10

The use of a switching transistor (like a 2N2222 or 2N3904) allows use of the CD4511B with a common-anode display. R_Y should be chosen to provide about 1 mA to drive Q1 and R_X should provide enough current to drive the display. For this circuit, the transistor gain (H_{FE}) should be at least the ratio of the segment drive current to the current through R_Y .

WILLIAM SHEETS

FLUORESCENT TUBE DISPLAY DRIVER

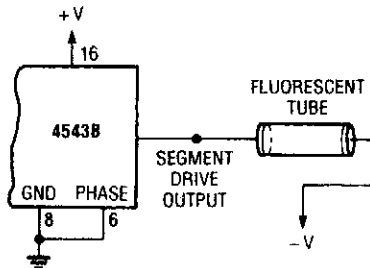


FIG. 26-11

A fluorescent tube or display can be driven with a 4543B IC, as shown.

RADIO-ELECTRONICS

4543B COMMON-CATHODE LED DRIVER

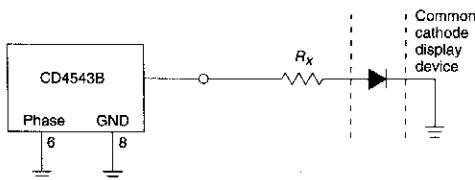


FIG. 26-12

This circuit shows a way of driving a common-cathode display segment or an LED with a CD4543B.

WILLIAM SHEETS

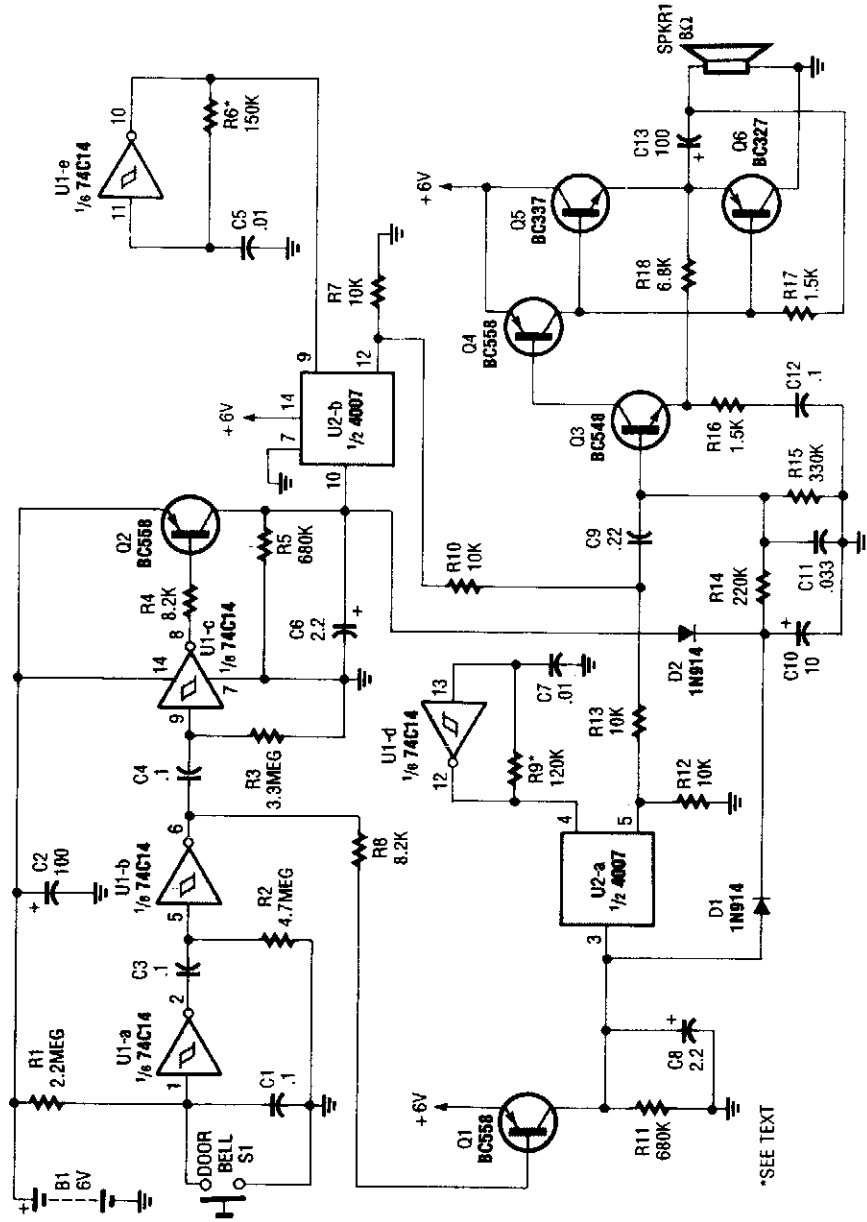
27

Doorbell Circuits

The sources of the following circuits are contained in the Sources section, which begins on page 675. The figure number in the box of each circuit correlates to the entry in the Sources section.

Electronic Doorbell
Twin Bell Circuit
Electronic Door Buzzer

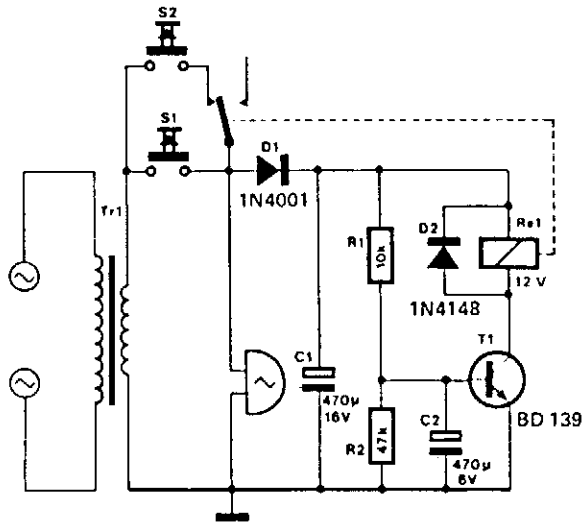
ELECTRONIC DOORBELL



*SEE TEXT

When the doorbell switch is pressed, the two monostable stages are activated in sequence, applying bias to a pair of voltage-controlled resistor stages. These then modulate the outputs from a pair of tone generators. The resulting signals are fed to an audio amplifier, then to the speaker.

TWIN BELL CIRCUIT



Tr1 = bell transformer

FIG. 27-2

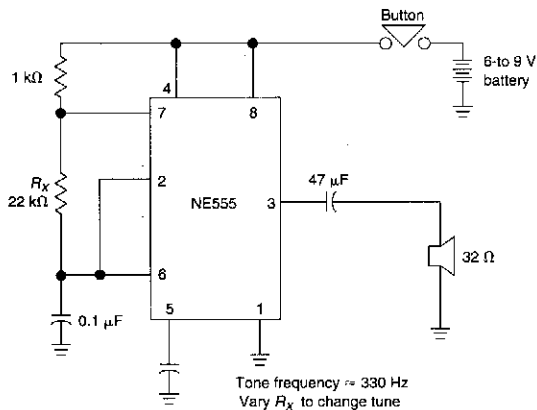
303 CIRCUITS

It is often desirable for a single doorbell to be operated by two buttons, for instance, one at the front door and the other at the back door.

The additional button, S2 in series with the break contact of relay Re1, is connected in parallel with the original bell-push, S1. When S2 is pressed, the bell voltage is rectified by D1 and smoothed by C1. After a time, $t = R_1 R_2 C_2$, the direct voltage across C2 has risen to a level here T1 switches on. Relay Re1 is then energized and its contact breaks the circuit of S2 so that the bell stops ringing. After a short time, C1 and C2 are discharged, the relay returns to its quiescent state and the bell rings again.

In this way, S1 will cause the bell to ring continuously, while S2 makes it ring in short bursts, so that it is immediately clear which button is pushed.

ELECTRONIC DOOR BUZZER



This simple electronic door buzzer draws no quiescent current. When S1 is pressed the speaker produces a tone. The NE555 (U1) generates signal.

28

Fax Circuit

The source of the following circuit is contained in the Sources section, which begins on page 675. The figure number in the box of the circuit correlates to the entry in the Sources section.

Fax Mate

FAX MATE

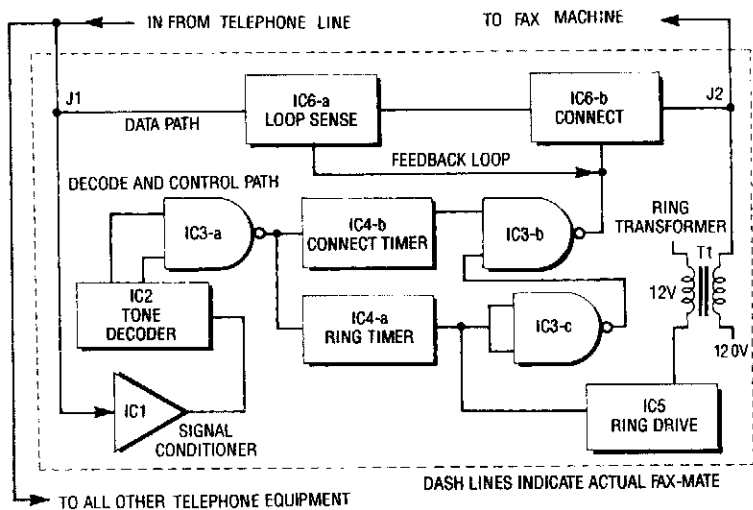


FIG. 1—BLOCK DIAGRAM for the Fax-Mate. The upper path is for data, and the lower one is the decode and control path.

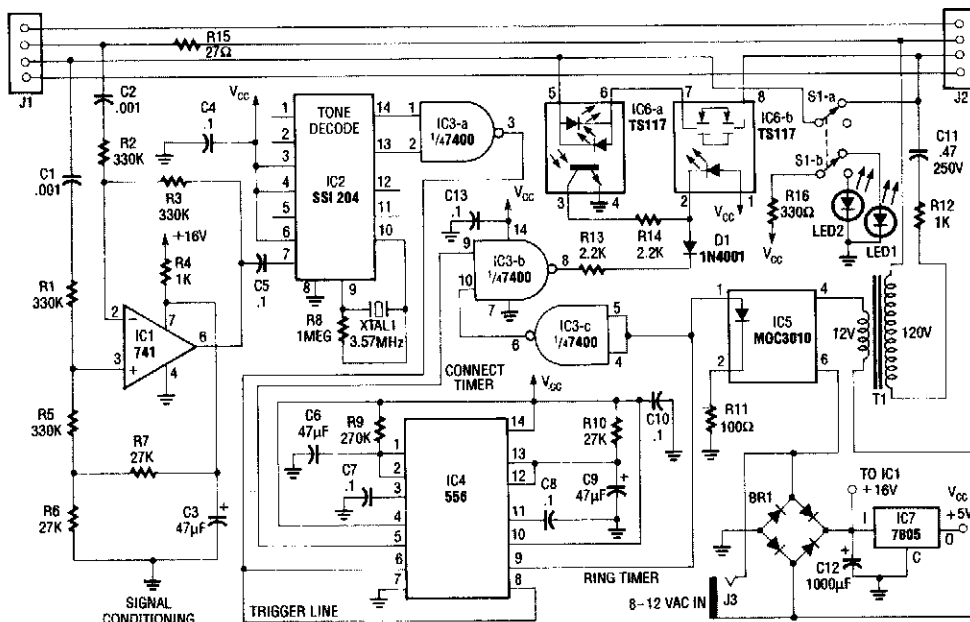


FIG. 2—SCHEMATIC for the Fax-Mate. Notice how it closely resembles the block diagram.

FAX MATE(Cont.)

The fax mate separates the fax machine from the phone line, rings the fax machine on command, connects equipment to incoming lines, and senses the end of the message. When a touch tone pound signal (#) is detected, it actuates a ring greater and driver for the fax machine (the # signal is not used in ordinary dialing). The connect signal is inhibited for this time (ring cycle). IC46 runs for 15 s and drives part of the connect IC. Then the fax or modem has fired up and is sending out a handshake tone. IC6 connects the equipment for initial hookup and keeps the connect section powered. When the fax machine hangs up, the loop current detector turns off, and resets the system.

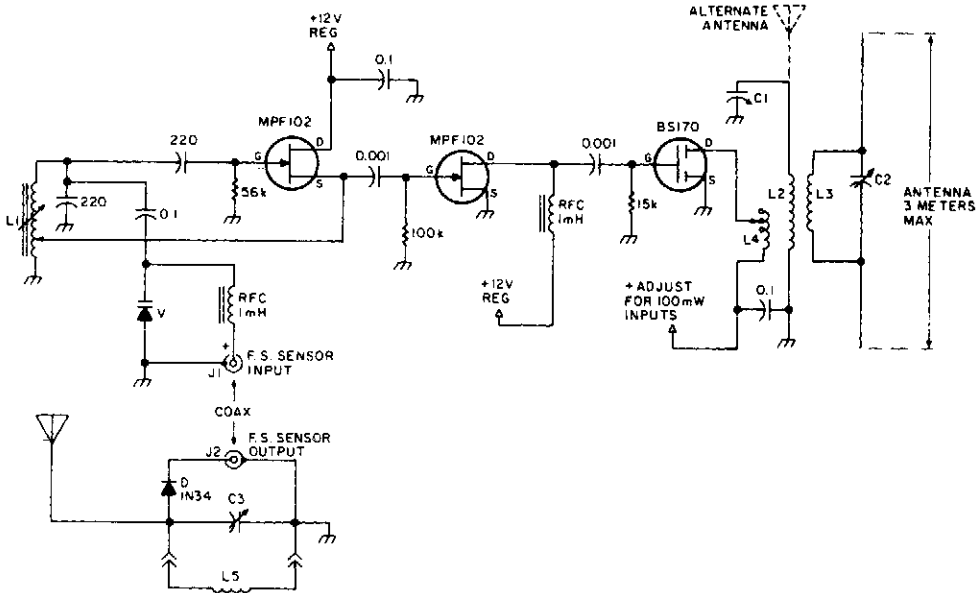
29

Field-Strength Meter Circuits

The sources of the following circuits are contained in the Sources section, which begins on page 675. The figure number in the box of each circuit correlates to the entry in the Sources section.

Remote Field Strength Meter
Amplified Field Strength Meter
Simple Amplified Field Strength Meter
Simple Field Strength Meter I
Simple Field Strength Meter II

REMOTE FIELD STRENGTH METER

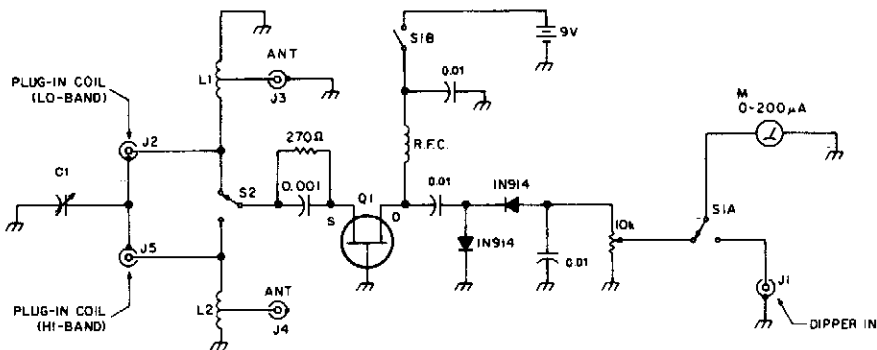


73 AMATEUR RADIO TODAY

FIG. 29-1

This field strength meter consists of a tuned crystal detector producing a dc output voltage from a transmitted signal. The dc voltage is used to shift the frequency of a transmitter of 100-mW power operating at 1650 kHz. The frequency shift is proportional to the received field strength. This unit has a range of several hundred feet and is operated under FCC part 15 rules (100-mW max power into a 2-m-long antenna between 510 and 1705 kHz).

AMPLIFIED FIELD STRENGTH METER

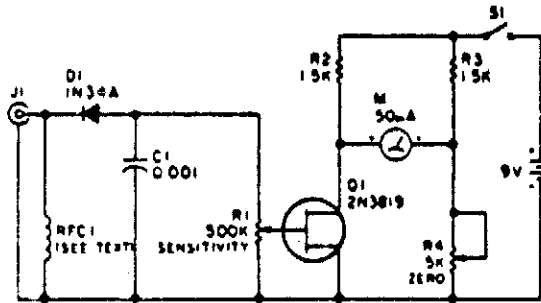


73 AMATEUR RADIO TODAY

FIG. 29-2

FET Q1 acts as an RF amplifier to boost sensitivity of the usual diode detector field strength meter.

SIMPLE AMPLIFIED FIELD STRENGTH METER

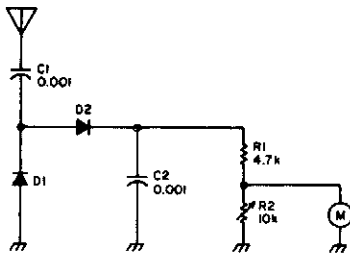


73 AMATEUR RADIO TODAY

FIG. 29-3

This circuit uses a FET as a dc amplifier in a bridge circuit. R4 is set for meter null with J1 short circuited. Any surplus 50-mA meter can serve in this circuit. RFC1 is any suitable RF choke for the band in use. A 2.5-mH RF choke will do for broadband operation. R1 is a sensitivity control. The antenna can be any small whip antenna (2 ft or less).

SIMPLE FIELD STRENGTH METER I

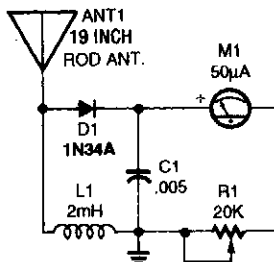


73 AMATEUR RADIO TODAY

FIG. 29-4

Useful for checking transmitters and antennas, this circuit uses a voltage-doubling detector D1 and D2 (HP 5082-2800 hot carrier types). D1 and D2 can also be type 1N34 or 1N82. M is a 100-mA meter movement.

SIMPLE FIELD STRENGTH METER II



POPULAR ELECTRONICS

FIG. 29-5

This simple field-strength meter provides a cheap way to monitor an amateur radio or CB transmitter (or even an antenna system) for maximum output.

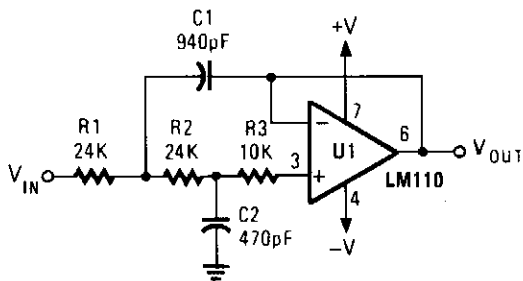
30

Filter Circuits

The sources of the following circuits are contained in the Sources section, which begins on page 675. The figure number in the box of each circuit correlates to the entry in the Sources section.

Active Low-Pass Filter	Audio Notch Filter for Shortwave Receivers
High Q Notch Filter	Active Second-Order Bandpass Filter
Universal Stale Variable Filter	Variable-Frequency Audio BP Filter
Adjustable Q Notch Filter	Variable Low-Pass Filter
Fourth Order High-Pass Butterworth Filter	Variable High-Pass Filter
Tunable Notch Filter	1-mV Offset, Clock-Tunable, Monolithic 5-Pole Low-Pass Filter
High Q Bandpass Filter	Unity-Gain Second-Order High-Pass Filter
Simulated Inductor	Active Unity-Gain Second-Order Low-Pass Filter
Bandpass Filter	Active Fourth-Order High-Pass Filter for 50 Hz
Fourth Order Low-Pass Butterworth Filter	Simple High-Pass (HP) Active Filter for 1 kHz
Active High-Pass Filter	Equal Second-Order HP Filter
400-Hz Low-Pass Butterworth Filter	Second-Order Low-Pass Filter for 10 kHz
Bandpass Filter	Simple Low-Pass (LP) Active Filter for 1 kHz
Active Low-Pass RC Filter	Current-Driven Sallen Key Filter
Passive L Filter Configurations	455-kHz Narrow-Band IF Filter
Passive Pi Filter Configurations	Audio-Range Filter
Four-Output Filter	BI-Quad RC Bandpass Filter
Variable Q Filter for 400 Hz	Passive T Filter Configurations
Twin T Notch Filter for 1 kHz	Full-Wave Rectifier/Averaging Filter
Variable Bandpass Audio Filter	1-kHz Tone Filter
Active Fourth-Order Low-Pass Filter	

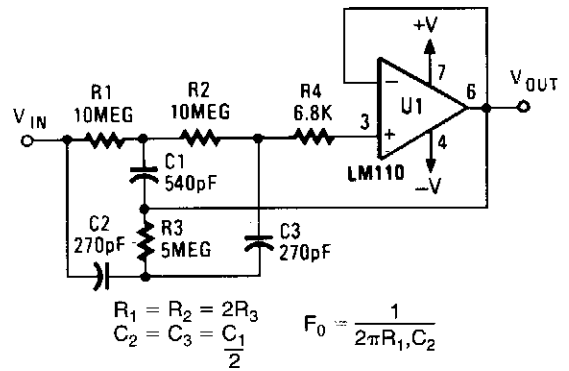
ACTIVE LOW-PASS FILTER



POPULAR ELECTRONICS

FIG. 30-1

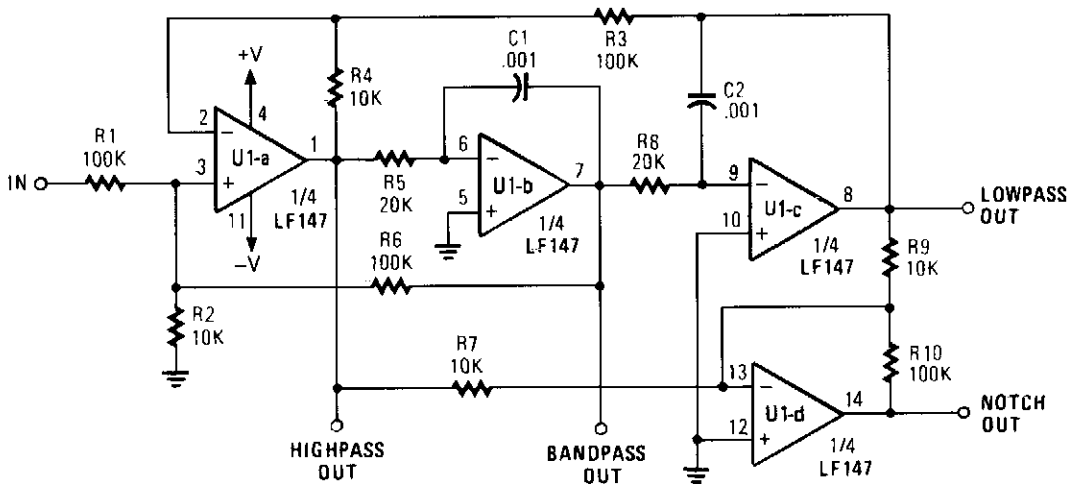
HIGH Q NOTCH FILTER



POPULAR ELECTRONICS

FIG. 30-2

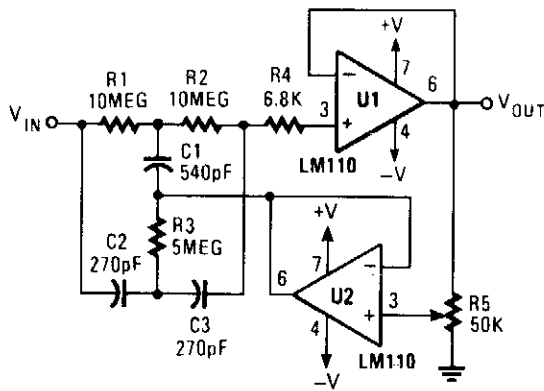
UNIVERSAL STATE VARIABLE FILTER



POPULAR ELECTRONICS

FIG. 30-3

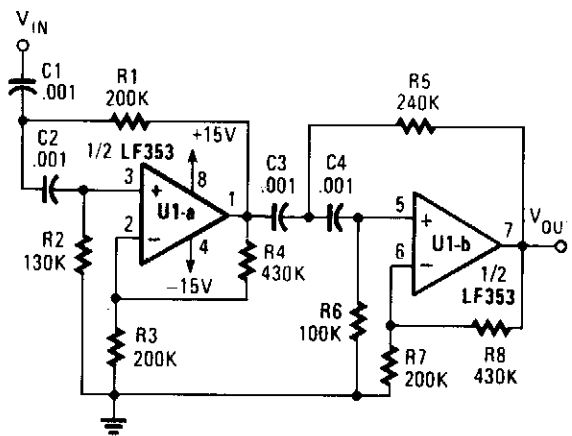
ADJUSTABLE Q NOTCH FILTER



POPULAR ELECTRONICS

FIG. 30-4

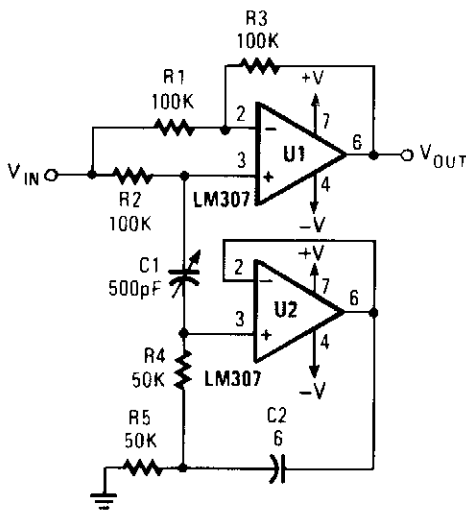
FOURTH ORDER HIGH-PASS BUTTERWORTH FILTER



POPULAR ELECTRONICS

FIG. 30-5

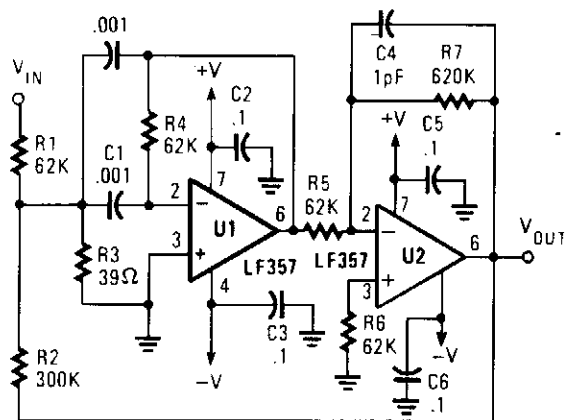
TUNABLE NOTCH FILTER



POPULAR ELECTRONICS

FIG. 30-6

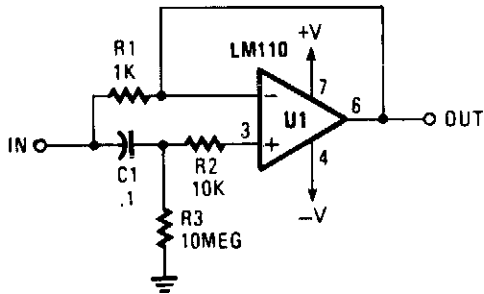
HIGH Q BANDPASS FILTER



POPULAR ELECTRONICS

FIG. 30-7

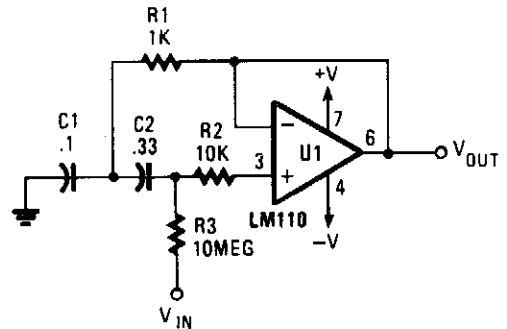
SIMULATED INDUCTOR



POPULAR ELECTRONICS

FIG. 30-8

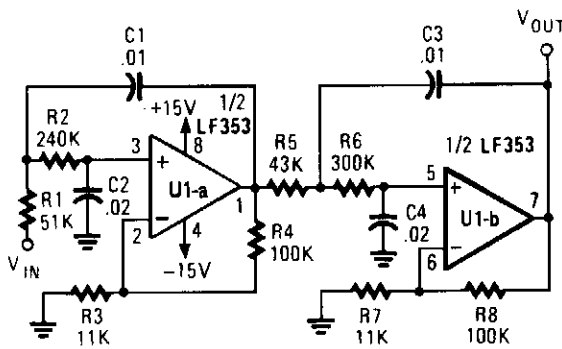
BANDPASS FILTER



POPULAR ELECTRONICS

FIG. 30-9

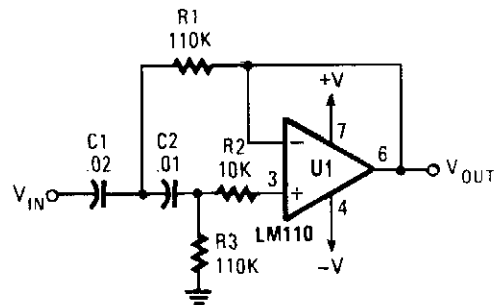
FOURTH ORDER LOW-PASS BUTTERWORTH FILTER



POPULAR ELECTRONICS

FIG. 30-10

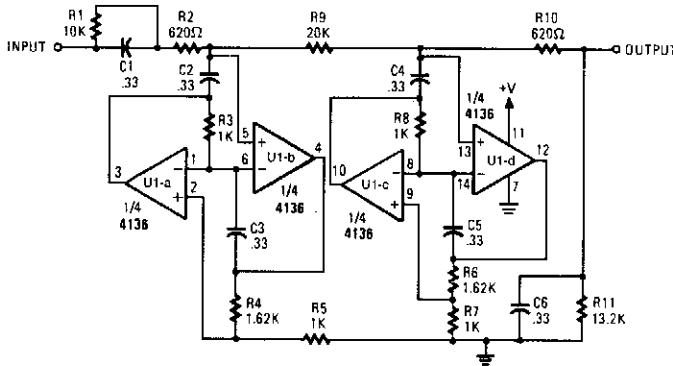
ACTIVE HIGH-PASS FILTER



POPULAR ELECTRONICS

FIG. 30-11

400-Hz LOW-PASS BUTTERWORTH FILTER

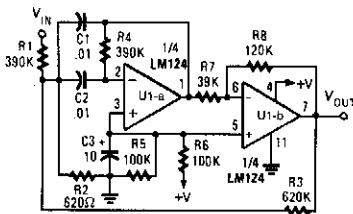


POPULAR ELECTRONICS

FIG. 30-12

Designed for a 400-Hz cutoff frequency, the cutoff can be scaled by varying the element values proportionally to frequency

BANDPASS FILTER



POPULAR ELECTRONICS

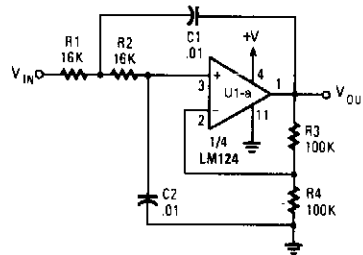
FIG. 30-13

Appropriate center frequency of this circuit is:

$$f_c = \frac{1}{R_4 C_2}$$

$$C_1 = C_2, R_1 = R_4$$

ACTIVE LOW-PASS RC FILTER

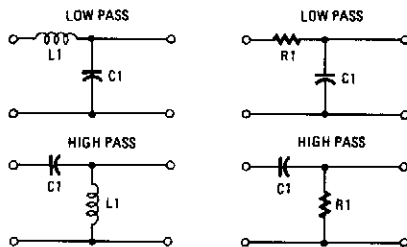


POPULAR ELECTRONICS

FIG. 30-14

The circuit shown has a cutoff frequency at about 1 kHz. R1, R2, C1, and C2 can be scaled to change this to any other desired frequency.

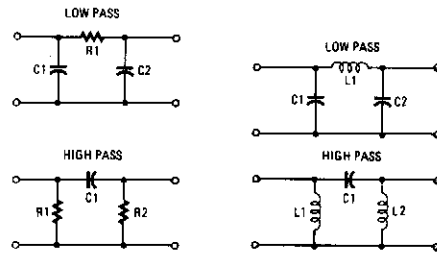
PASSIVE L FILTER CONFIGURATIONS



POPULAR ELECTRONICS

FIG. 30-15

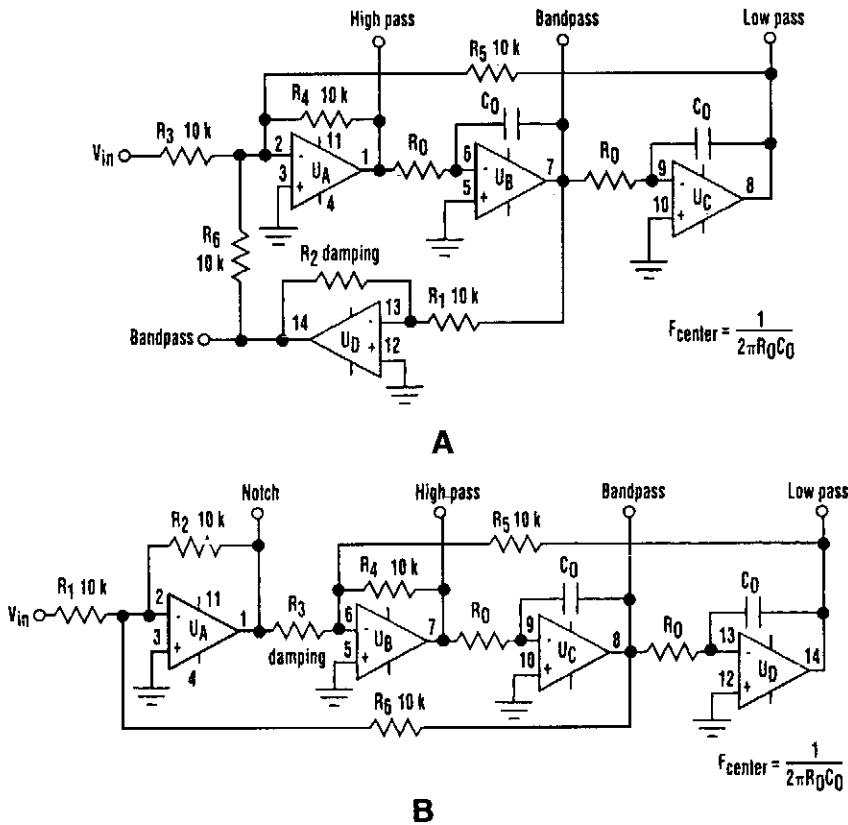
PASSIVE PI FILTER CONFIGURATIONS



POPULAR ELECTRONICS

FIG. 30-16

FOUR-OUTPUT FILTER



ELECTRONIC DESIGN

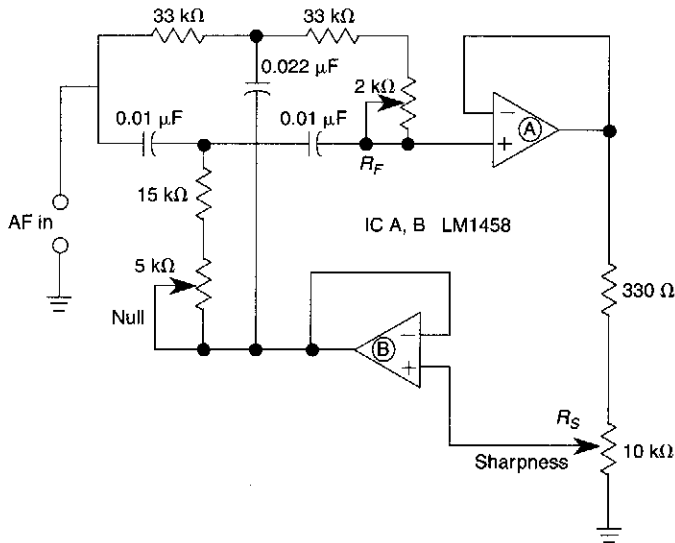
FIG. 30-17

The classic “state-variable” (two-integrator) filter (see Fig. A) is famous for its insensitivity to device parameter tolerances, as well as its ability to provide three simultaneous separate outputs: high pass, bandpass, and low pass. These advantages often offset the fact that a quad operational amplifier is needed to implement the circuit.

A modification of the classic scheme that applies the input voltage via amplifier U_D , rather than U_A provides a bandpass output with a fixed peak gain that doesn't depend on the Q of the filter. It was found by using that configuration, a fourth notch-filter output can be obtained if $R_1 = R_6$ (see Fig. B).

If $R_1 = R_6 = R_2$, the gains of both the notch and bandpass outputs are unity, regardless of the Q factor, as determined by R_3 , R_1 , R_2 , R_4 , R_5 , and R_6 . The resonant (or cutoff) frequency is given by $\omega_c = 1/R_0 \times C_0$. Depending on the capacitor values and frequency ω , resistance R_0 might also share the same monolithic network for maximum space economy. As with the classic configuration, resonant frequency ω_c can be electrically controlled by switching resistors R_0 , or by using analog multipliers in series with the integrators.

VARIABLE Q FILTER FOR 400 Hz

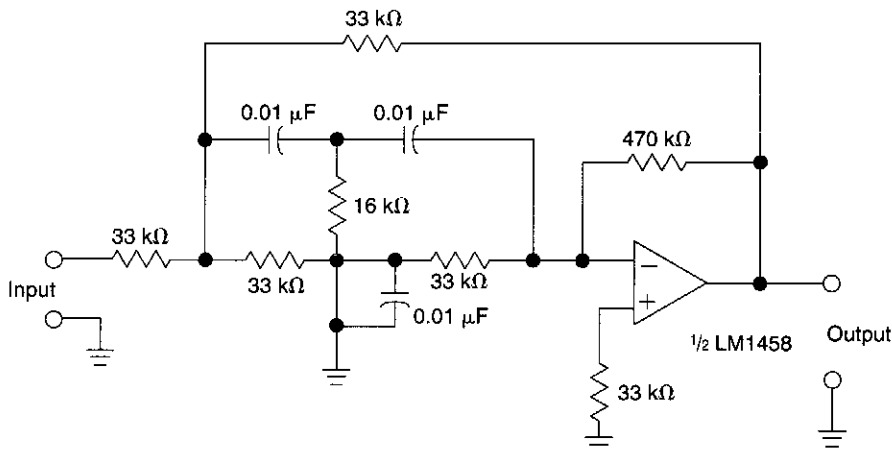


WILLIAM SHEETS

FIG. 30-18

A bootstrapped twin T notch filter in this circuit can yield an effective Q of up to 10. R_S adjusts the feedback, hence the Q . Values of C_1 and C_2 can be changed to alter the frequency. R_F is a fine-tune null control.

TWIN T NOTCH FILTER FOR 1 kHz

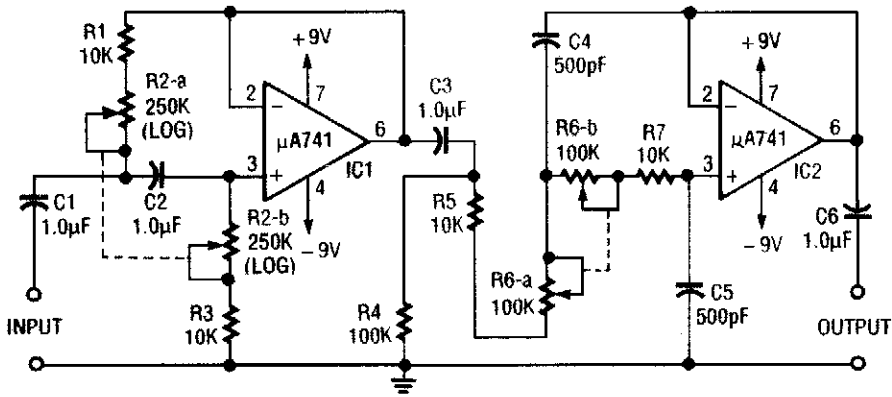


WILLIAM SHEETS

FIG. 30-19

The circuit shown uses a twin T notch filter and an amplifier. Used to remove unwanted frequency.

VARIABLE BANDPASS AUDIO FILTER

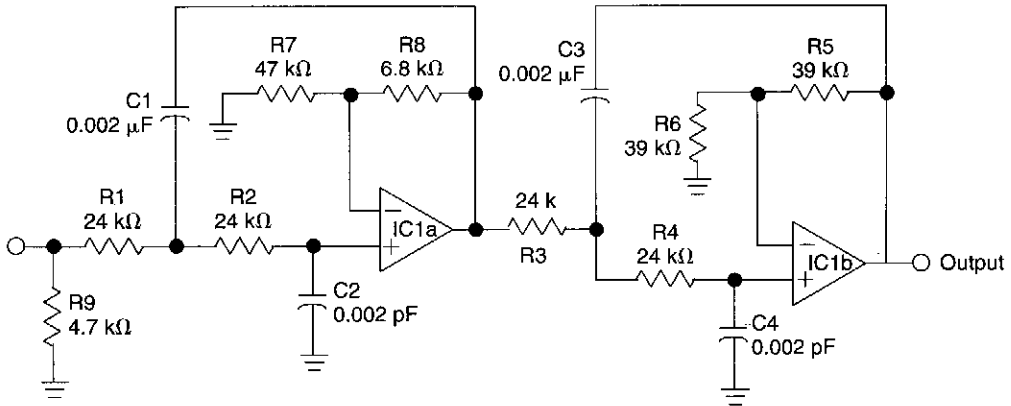


ELECTRONICS NOW

FIG. 30-20

This circuit is a variable audio bandpass filter that has a low cutoff variable from about 25 Hz to 700 Hz and a high cutoff variable from 2.5 kHz to over 20 kHz. Rolloff is 12 dB/octave on both high and low ends. R2-a-b and R6-a-b are ganged potentiometers for setting lower and upper cutoff frequencies, respectively.

ACTIVE FOURTH-ORDER LOW-PASS FILTER



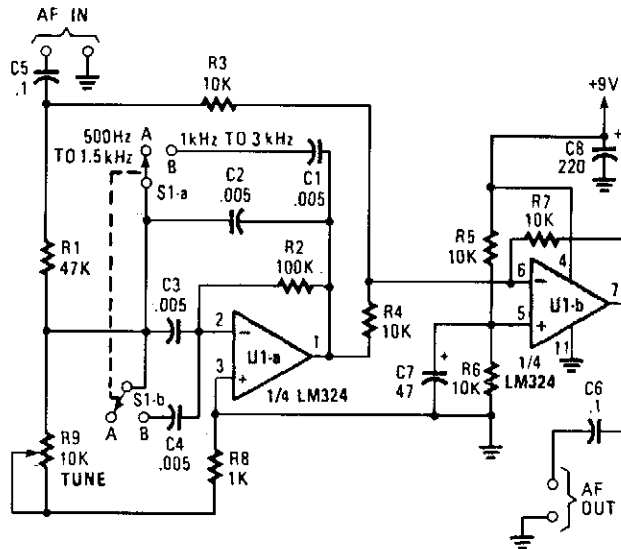
IC1 a, b op amp = LM1458

WILLIAM SHEETS

FIG. 30-21

This circuit is a fourth-order low-pass filter with values for kHz. The values of R_1 , R_2 , C_1 and C_2 , and R_3 , R_4 , C_3 and C_4 can be scaled for operation at other frequencies. Roll-off is 24 dB/octave.

AUDIO NOTCH FILTER FOR SHORTWAVE RECEIVERS

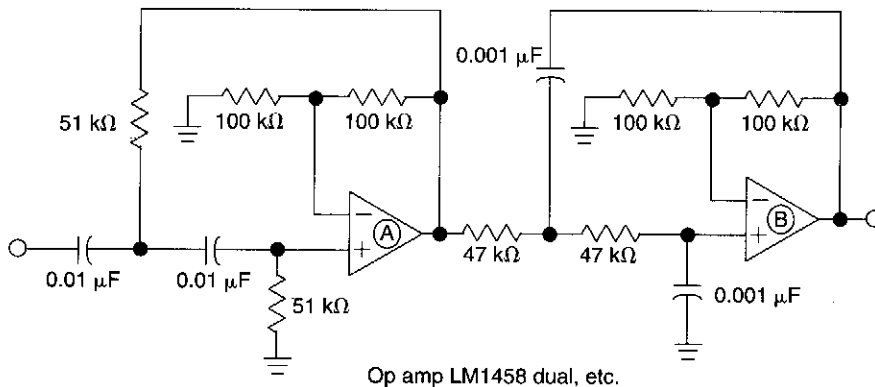


POPULAR ELECTRONICS

FIG. 30-22

The notch filter can be added to just about any receiver to attenuate a single frequency by more than 30 dB. This filter should be handy for reducing heterodynes and whistles.

ACTIVE SECOND-ORDER BANDPASS FILTER FOR SPEECH RANGE



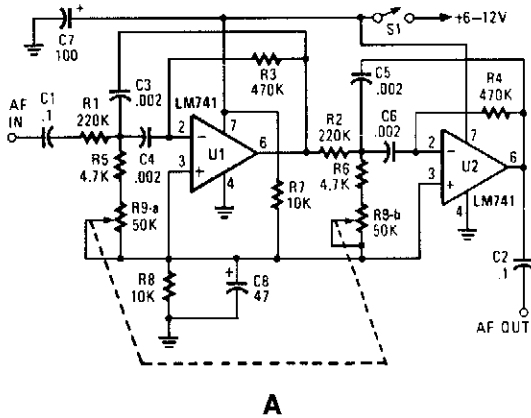
Op amp LM1458 dual, etc.

WILLIAM SHEETS

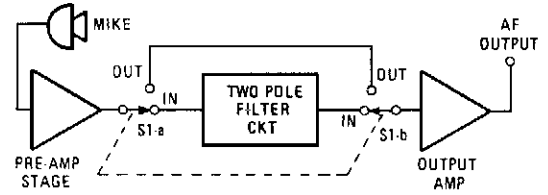
FIG. 30-23

This filter circuit which uses LM1458 or similar op amp has a response of 300 Hz to 3.4 kHz with 12 dB/octave roll-off outside the pass band. Section A is the high-pass one, followed by low-pass section B. Values of either section can be scaled to alter the pass band.

VARIABLE-FREQUENCY AUDIO BP FILTER



A



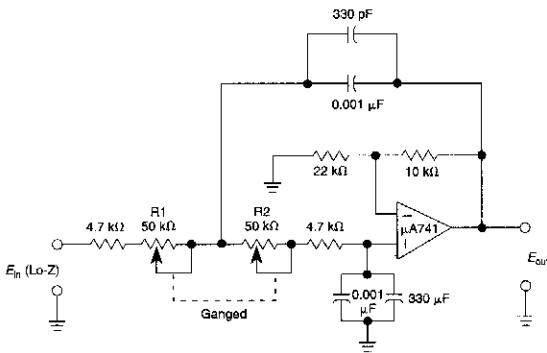
The filter can be wired into an existing amplifier by inserting the filter circuit between the amp's preamp and output stages as shown here.

POPULAR ELECTRONICS

FIG. 30-24

This variable-frequency, audio bandpass filter is built around two 741 op amps that are connected in cascade. Two 741 op amps are configured as identical RC active filters and are connected in cascade for better selectivity. The filter's tuning range is from 500-Hz to 1500 Hz. The overall voltage gain is slightly greater than 1 and the filter's is about 5. The circuit can handle input signals of 4 V peak-to-peak without being overdriven. The circuit's input impedance is over 200 k Ω and its output impedance is less than 1 k Ω .

VARIABLE LOW-PASS FILTER

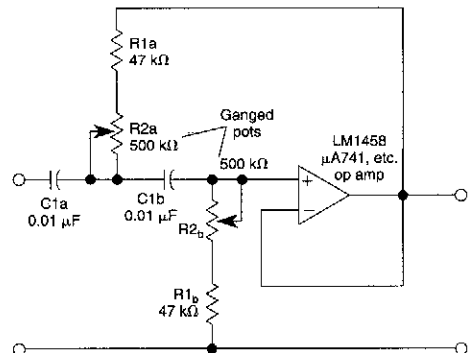


WILLIAM SHEETS

FIG. 30-25

This second-order low-pass filter uses a 741 op amp and is tuneable from 2.5 kHz to 25 kHz. This circuit is useful in audio and tone control applications. R1 and 2 are ganged potentiometers.

VARIABLE HIGH-PASS FILTER



WILLIAM SHEETS

FIG. 30-26

This second order filter which should prove useful in audio applications uses an LM1458 or other similar of op amp. It is tuneable from 30 to 300 Hz cutoff. R2a, b are ganged log-taper potentiometers.

1-mV OFFSET, CLOCK-TUNABLE, MONOLITHIC 5-POLE LOW-PASS FILTER

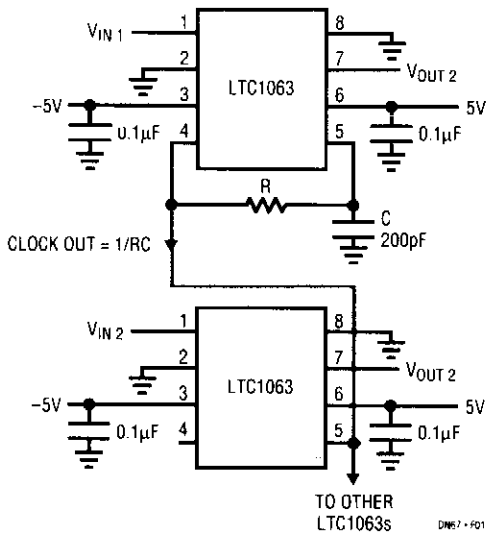


FIG. 30-27

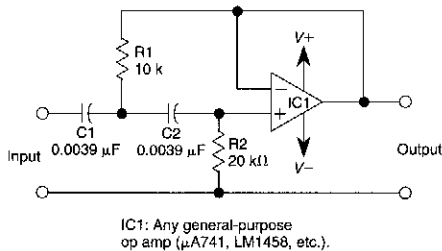
LINEAR TECHNOLOGY CORP.

The LTC1063 is the first monolithic low-pass filter that simultaneously offers outstanding dc and ac performance. It features internal or external clock tunability, cutoff frequencies up to 50 kHz, 1-mV typical output dc offset, and a dynamic range in excess of 12 bits for over a decade of input voltage.

The LTC1063 approximates a 5-pole Butterworth low-pass filter. The unique internal architecture of the filter allows outstanding amplitude matching from device to device. Typical matching ranges from 0.01 dB-at 25% of the filter passband to 0.05 dB at 50% of the filter passband.

An internal or external clock programs the filter's cutoff frequency. The clock-to-cutoff frequency ratio is 100:1. In the absence of an external clock, the LTC1063's internal precision oscillator can be used. An external resistor and capacitor set the device's internal clock frequency.

UNITY-GAIN SECOND-ORDER HIGH-PASS FILTER



IC1: Any general-purpose op amp (μ A741, LM1458, etc.).

FIG. 30-28

WILLIAM SHEETS

This filter circuit has a cutoff frequency of 2900 Hz with the values shown.

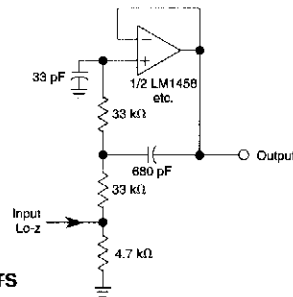
$$f_{\text{cutoff}} = \frac{1}{2.83\pi RC}$$

$$R = R_1$$

$$R_2 = 2R_1$$

$$C = C_1 = C_2$$

ACTIVE UNITY-GAIN SECOND-ORDER LOW-PASS FILTER



WILLIAM SHEETS

FIG. 30-29

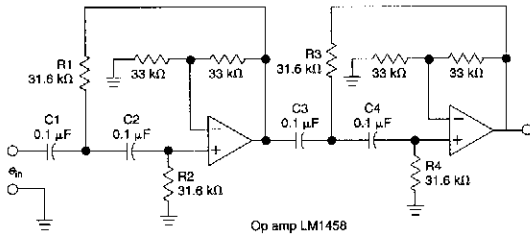
This second-order Butterworth filter cuts off near 10 kHz. The values of C_1 and C_2 can be changed to alter the frequency, or else calculated from the formula.

$$f_{\text{cutoff}} = \frac{1}{2.83\pi RC}$$

$$C_1 = 2C_2$$

$$R_2 = R_3 = R$$

ACTIVE FOURTH-ORDER HIGH-PASS FILTER FOR 50 Hz

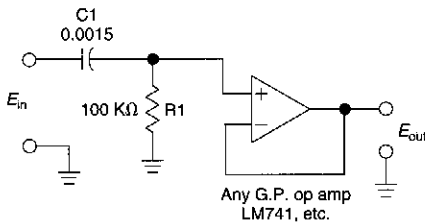


This circuit which uses an LM1458 or similar op amp is a fourth-order high-pass filter with a 24 dB/octave roll-off. The values of R_1/R_2 , R_3/R_4 , C_1/C_2 , C_3/C_4 can be scaled to suit other cutoff frequencies.

WILLIAM SHEETS

FIG. 30-30

SIMPLE HIGH-PASS (HP) ACTIVE FILTER FOR 1 kHz

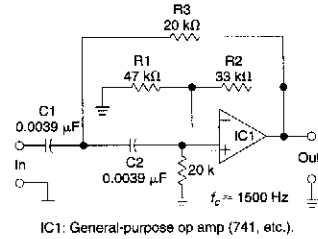


WILLIAM SHEETS

FIG. 30-31

This simple 1 kHz filter uses a voltage follower and an RC section for a filter element. For other frequencies f_3 dB = $1/6.28 R_1 C_1$. The response drops 6 dB/octave below f_3 dB.

EQUAL COMPONENTS SECOND-ORDER HP FILTER



WILLIAM SHEETS

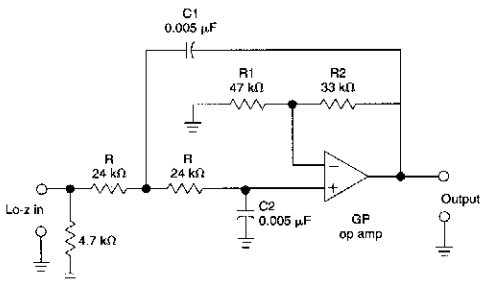
FIG. 30-32

This filter circuit uses equal value components and is shown for 1500 Hz. The values can be scaled for other frequencies.

$$f_{\text{cutoff}} = \frac{1}{2.83\pi RC}$$

$$\begin{aligned} R &= R_1 \\ R_2 &= 2R_1 \\ C &= C_1 = C_2 \end{aligned}$$

SECOND-ORDER LOW-PASS FILTER FOR 10 kHz



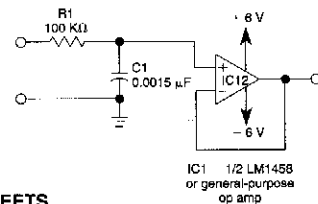
WILLIAM SHEETS

FIG. 30-33

This circuit uses equal value capacitors. The cutoff frequency (f_c) is

$$f_c = \frac{1}{2.83\pi RC}$$

SIMPLE LOW-PASS (LP) ACTIVE FILTER FOR 1 kHz

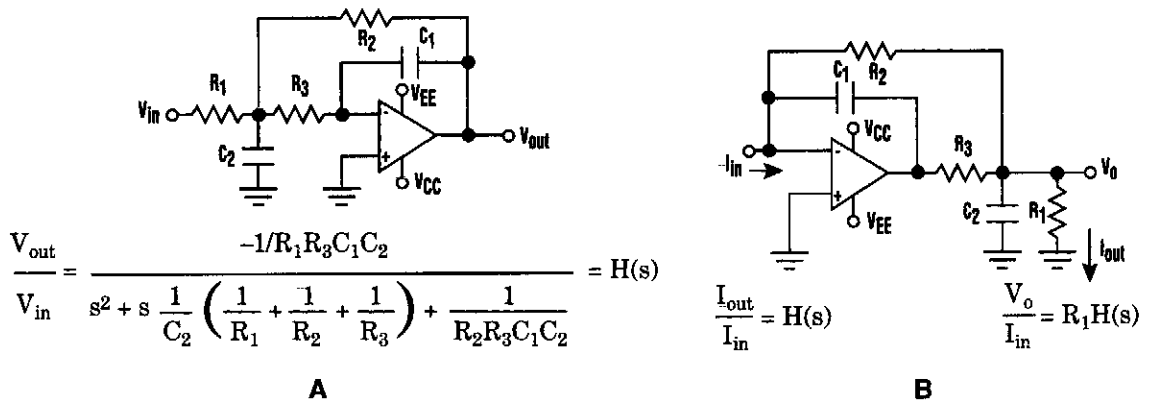


WILLIAM SHEETS

FIG. 30-34

This simple filter uses an RC section for a filter element, with a voltage follower for other frequencies f_3 dB = $1/6.28 R_1 C_1$. Response drops 6 dB/octave above f_3 dB.

CURRENT-DRIVEN SALLEN KEY FILTER

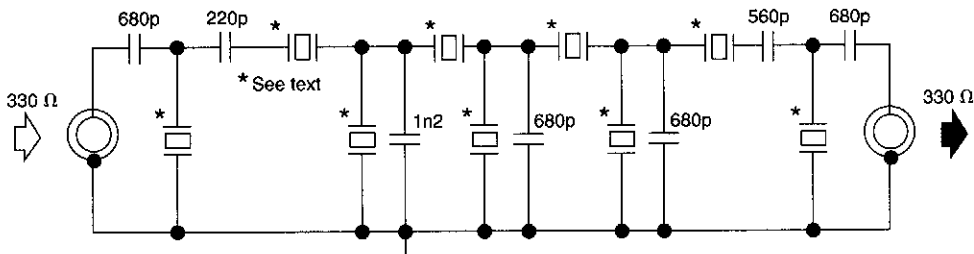


ELECTRONIC DESIGN

FIG. 30-35

The low-pass Sallen-Key filter is staple for designers because it contains few components (A). By redesigning the filter, a current to voltage conversion can be avoided when the input signal to be filtered is in current form (B).

455-KHz NARROW-BAND IF FILTER



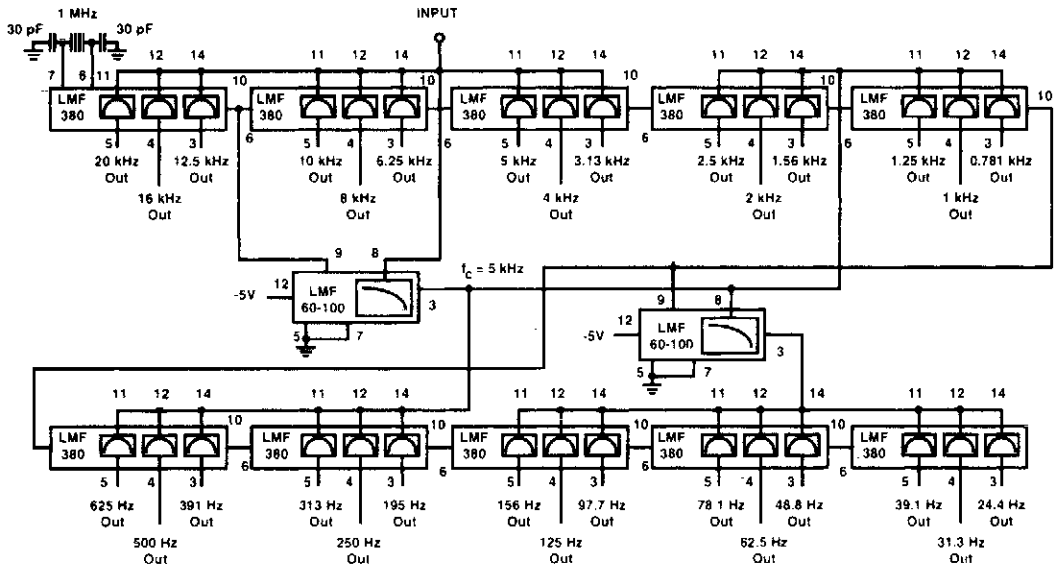
86442-1

303 CIRCUITS

FIG. 30-36

This filter uses five 455-kHz ceramic resonators. The impedance is 330 Ω , the bandwidth is 800 Hz, and the ultimate rejection ≥ 60 dB. The ceramic resonators could be replaced by crystals.

AUDIO-RANGE FILTER

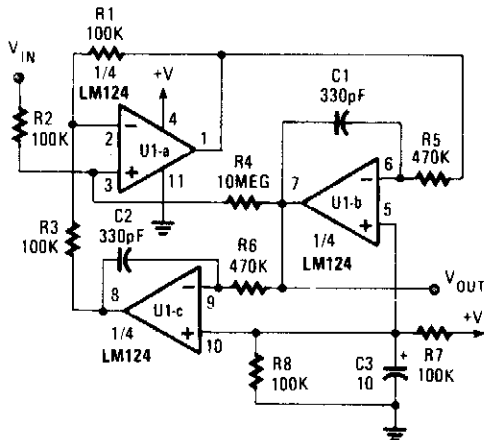


NATIONAL SEMICONDUCTOR

FIG. 30-37

The LMF380 switched audio filter by National Semiconductor is used here to obtain a third-octave filter set that covers the entire audio range.

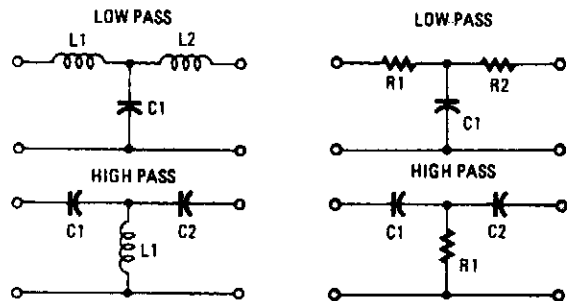
BI-QUAD RC BANDPASS FILTER



POPULAR ELECTRONICS

FIG. 30-38

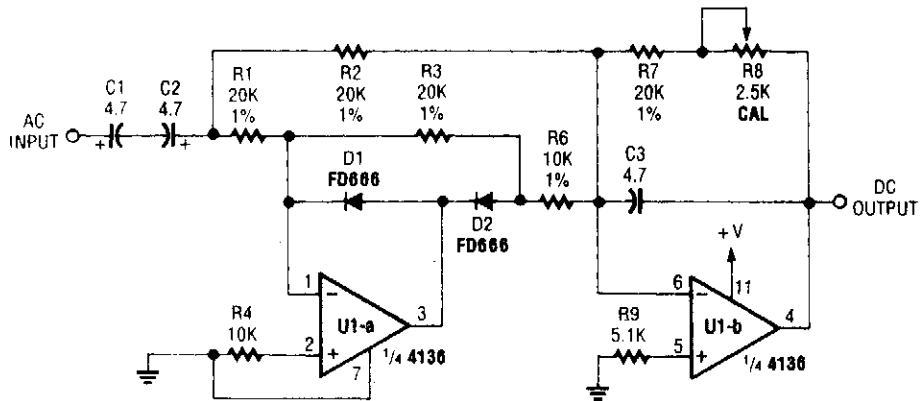
PASSIVE T FILTER CONFIGURATIONS



POPULAR ELECTRONICS

FIG. 30-39

FULL-WAVE RECTIFIER/AVERAGING FILTER

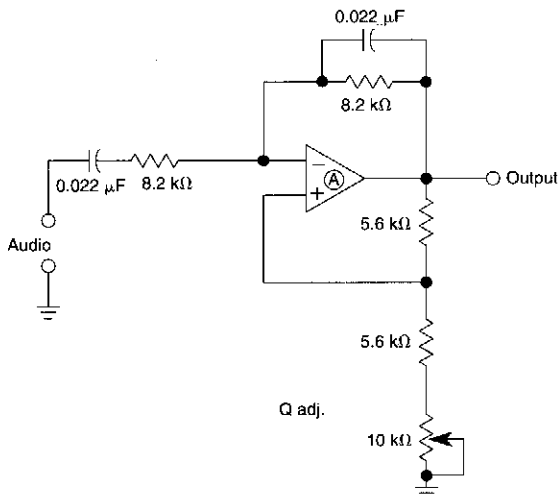


POPULAR ELECTRONICS

FIG. 30-40

The input signal is rectified by D1 and D2 on amp U1-a, and fed to output amp U2. R8 is set for correct circuit calibration.

1-kHz TONE FILTER



Ⓐ - Most any IC op amp LM1458, LM324, etc.

The Wien-bridge based filter has a variable bandwidth and a center frequency of 900 Hz. The circuit will oscillate if the 10-kΩ pot is set too low.

WILLIAM SHEETS

FIG. 30-41

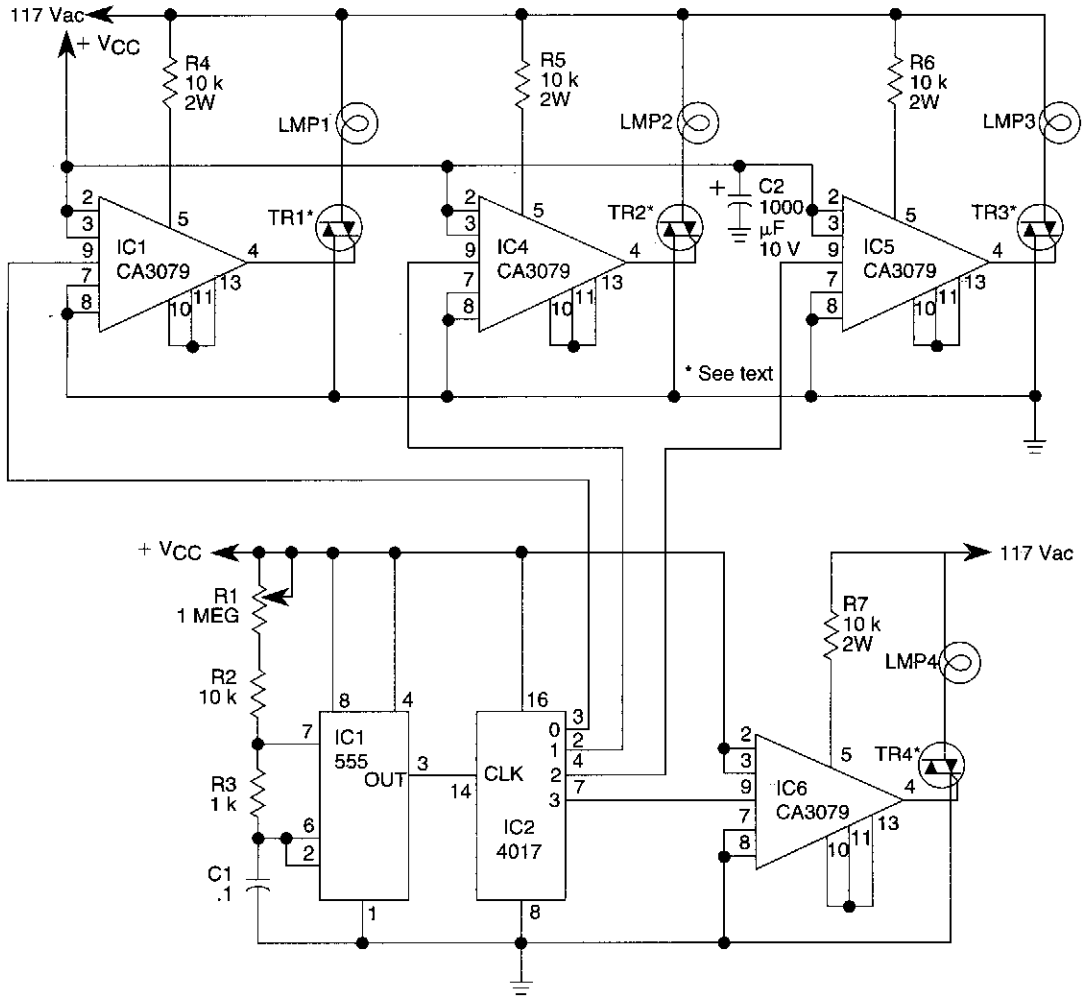
31

Flasher Circuits

The sources of the following circuits are contained in the Sources section, which begins on page 675. The figure number in the box of each circuit correlates to the entry in the Sources section.

Sequential Flasher
36 LED Flasher Driver
LED Flashers
Dark-Activated LED Flasher
Super LED Flasher
LED Flasher for 2 to 10 LEDs
Flash Signal Alarm
LED Christmas Tree Light Flasher

SEQUENTIAL FLASHER



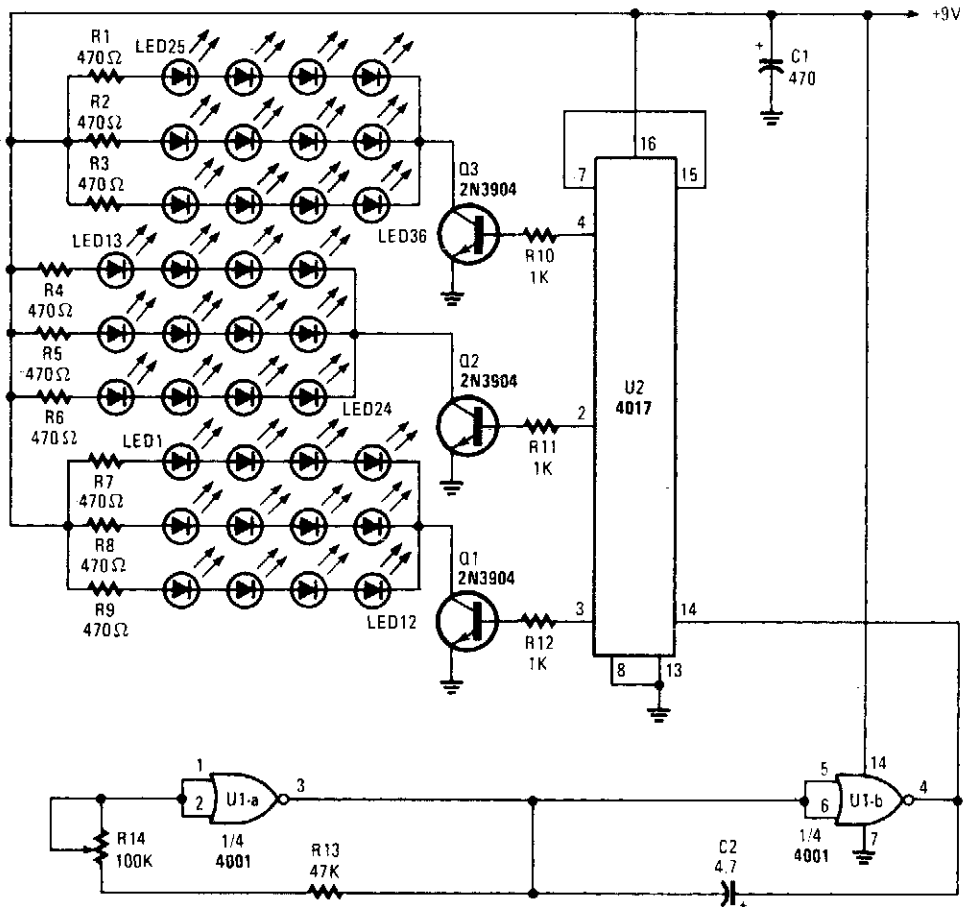
R-E EXPERIMENTERS HANDBOOK

FIG. 31-1

A 555 timer, IC1, drives a 4017 CMOS decade counter. Each of the 4017's first four outputs drives a CA3079 zero-voltage switch. Pin 9 of the CA3079 is used to inhibit output from pin 4, thereby disabling the string of pulses that the IC normally delivers. Those pulses occur every 8.3 ms, i.e., at a rate of 120 Hz. Each pulse has a width of 120 μ s.

Because of the action of the CA3079, the lamps connected to the triacs turn on and off near the zero crossing of the ac waveform. Switching at that point increases lamp life by reducing an inrush of current that would happen if the lamp were turned on near the high point of the ac waveform. In addition, switching at the zero crossing reduces radio frequency interference (RFI) considerably. **Caution:** The CA3079s are driven directly from the 117-Vac power line, so use care.

36 LED FLASHER DRIVER

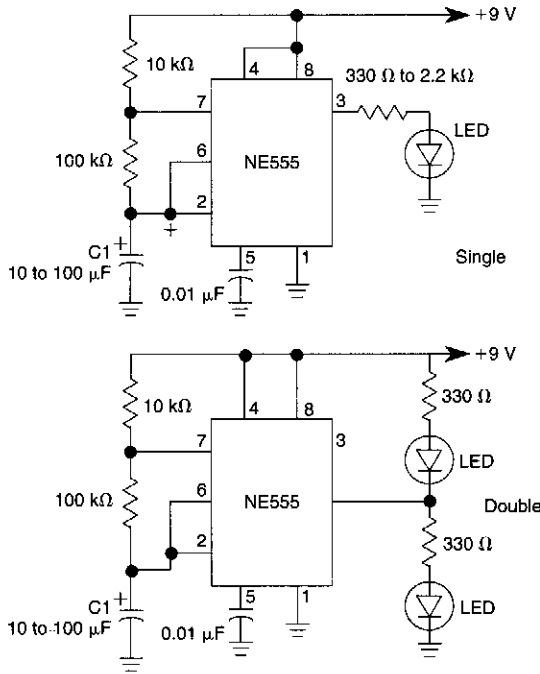


POPULAR ELECTRONICS

FIG. 31-2

Originally intended as a 3-bell animation circuit for Christmas decorations, the circuit can be used for many other purposes that require a flasher of this kind. By re-connecting U2 (see the data manual), more than three outputs can be obtained.

LED FLASHERS

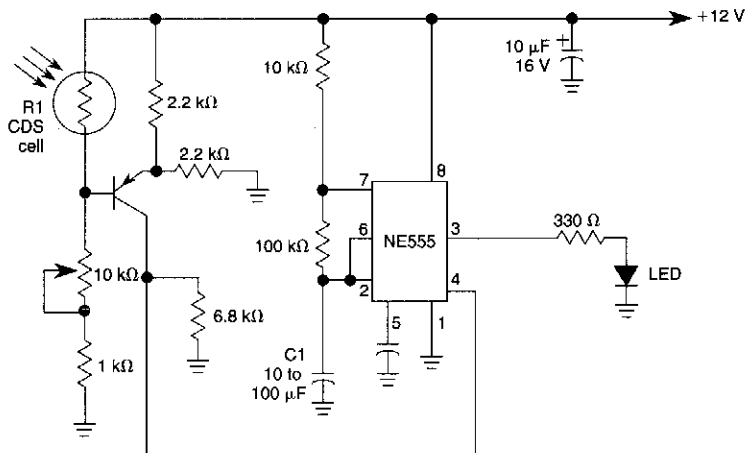


A 555 is used to switch an LED on and off. C1 determines the flash rate. Single ended (one LED) and double-ended (alternating) flashers are shown.

WILLIAM SHEETS

FIG. 31-3

DARK-ACTIVATED LED FLASHER

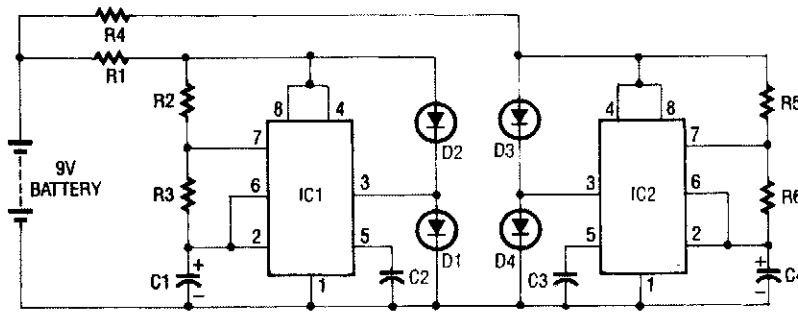


WILLIAM SHEETS

FIG. 31-4

This circuit can be used as a small beacon or marker light, and toys or novelty items. R1 is an LDR that has ≥ 10 k Ω dark-resistance, or a CDS photocell. C1 determines the flash rate.

SUPER LED FLASHER



- C1, C44.7 μF Electrolytic Capacitor
- C2, C3.....330 pF Disc Capacitor
- D1 Yellow LED
- D2, D3 Red LED
- D4 Green LED
- IC1, IC2 555 Timer IC
- R1, R4100 ohm Resistor
- R2, R5 82 k Resistor
- R3, R6 33 k Resistor

1991 PE HOBBYIST HANDBOOK

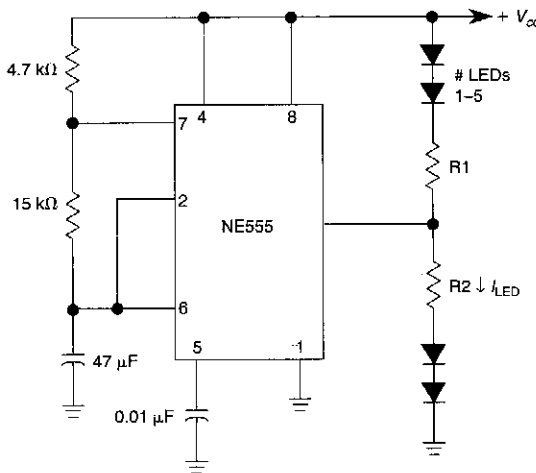
FIG. 31-5

The super LED flasher is actually two complete LED flasher circuits on one circuit board. The first LED flasher is made up of IC1 and LEDs D1 and D2. IC1 is a 555 timer IC configured as an astable (free-running) multivibrator with its output on pin 3.

The frequency of the 555's oscillation is controlled by R2, R3, and C1. Resistor R1 limits the input voltage to a low enough level to prevent damage to the IC. As the 555 IC oscillates, the output of pin 3 goes high (+) then low (-). When the output is high it supplies current to D1, which lights up. When it is low, pin 3 sinks current and D2 lights up. This happens because LEDs are polarity-sensitive (like all other diodes, they permit current flow in only one direction) and one lead of each LED has been connected to the respective polarity needed to light that LED.

The second LED flasher, made up of IC2 and LEDs D3 and D4, operates in the same way as the first LED flasher.

LED FLASHER FOR 2 TO 10 LEDs



$$R_1, R_2 = \frac{V_{cc} - 2(\#LEDs)}{I_{LED}}$$

Typically $V_{cc} = 12\text{ V}$
 $\#LEDs = 2$
 $I_{LED} = 30\text{ mA}$

(# LEDs 1 to 5 per side)

$$R_1, R_2 = \frac{12 - 2(2)}{0.03} = 267\ \Omega$$

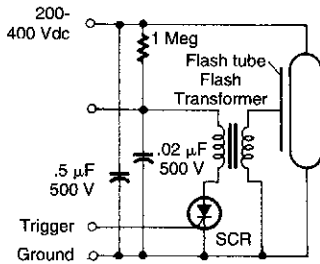
Use 270 Ω

WILLIAM SHEETS

FIG. 31-6

This LED flasher has double-ended output connection. The circuit can be used with 1 to 5 LEDs on each side as indicated.

FLASH SIGNAL ALARM



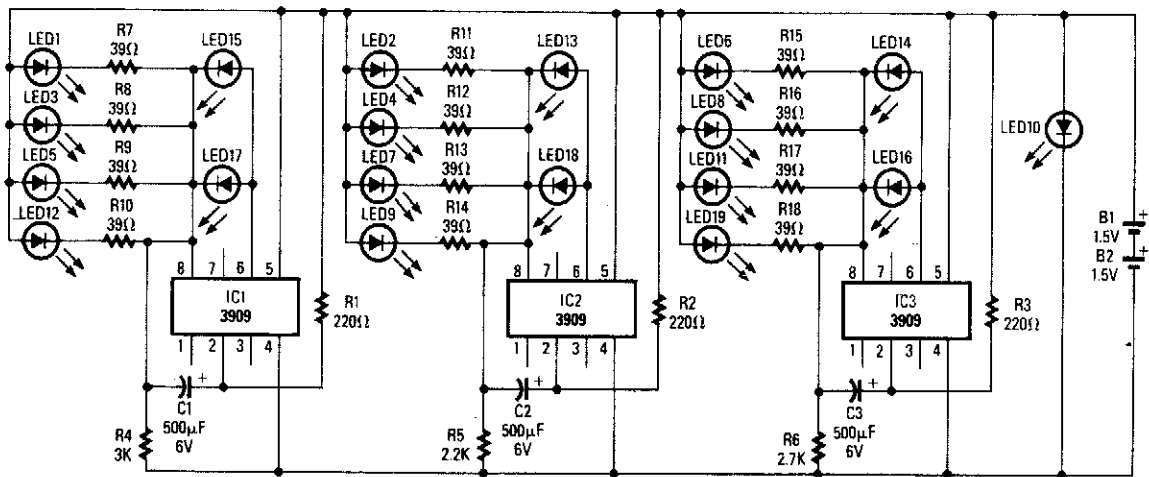
1. Choose an SCR with the proper power ratings
2. Be careful since high voltages are present at the flash tube

This circuit is useful if you need a low-energy flashing alarm. The 200 to 400-dc supply should have enough internal resistance to charge the 0.5 μF capacitor between flashes, about 2 or 3 time constants, which means about 500 k Ω to 1 M Ω for a 1-s rate. Use lower values for higher rates.

RADIO-ELECTRONICS

FIG 31-7

LED CHRISTMAS TREE LIGHT FLASHER



R-E EXPERIMENTERS HANDBOOK

FIG. 31-8

Three individual flashing circuits that use an LM3909 LED flasher/oscillator IC create the appearance of a pseudo-random firing order. The combination of C_1/R_4 , C_2/R_5 , and C_3/R_6 control the blink rate, which is between 0.3 and 0.8 s, and the inherent wide tolerance range (-20% to +80%) of standard electrolytic capacitors add to the irregularities of the blink cycles. The continuous current drain is about 10 mA; however, if you decrease the values of R_4 through R_6 or C_1 through C_3 in order to increase the blink rate, the current will then increase proportionally.

Note in particular that external current-limiting resistors aren't needed for LED13 through LED18; the resistors are built into the ICs. LED10, which serves as the tree's "star," is a special kind of flashing LED that blinks continuously at a fixed rate.

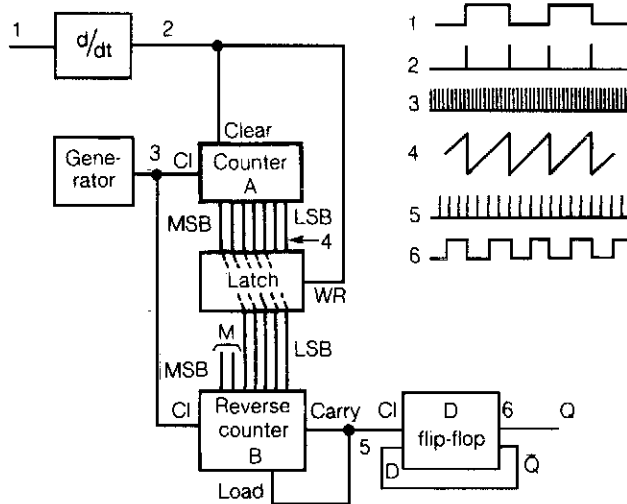
32

Frequency Multiplier Circuit

The source of the following circuit is contained in the Sources section, which begins on page 675. The figure number in the box of the circuit correlates to the entry in the Sources section.

Frequency Multiplier Without PLL

FREQUENCY MULTIPLIER WITHOUT PLL



ELECTRONIC ENGINEERING

FIG. 32-1

An input rectangular signal is differentiated and short impulses are formed from its edges. These impulses write the content of counter A to a latch that clears the counter after a very short time. Counter A counts impulses of the frequency f_o that are much greater than that of the input signal. The pulses come from an impulse generator. Thus, the number, which is written to the latch, expresses the number of these impulses between the edges of the input signal. The impulses from the same generator pass to (reverse) counter B. The carry impulse loads the content of the latch to counter B. The latch is connected with the reverse counter such that the number written to this counter is $2M$ times smaller than the number introduced to the latch. This can be readily achieved by omitting M most significant bites of counter B. Because the number loaded to counter B is $2M$ times smaller than the number in the latch, the carry impulses of counter B have frequency $2M$ times greater than the frequency of the impulses at the output of the differentiator. The carry impulses are fed to a D flip-flop, which divides their frequency by two. In this way, the output frequency is $2M$ greater than input frequency f_o as long as the frequency of impulse generator f_g is much greater than $2Mf_o$.

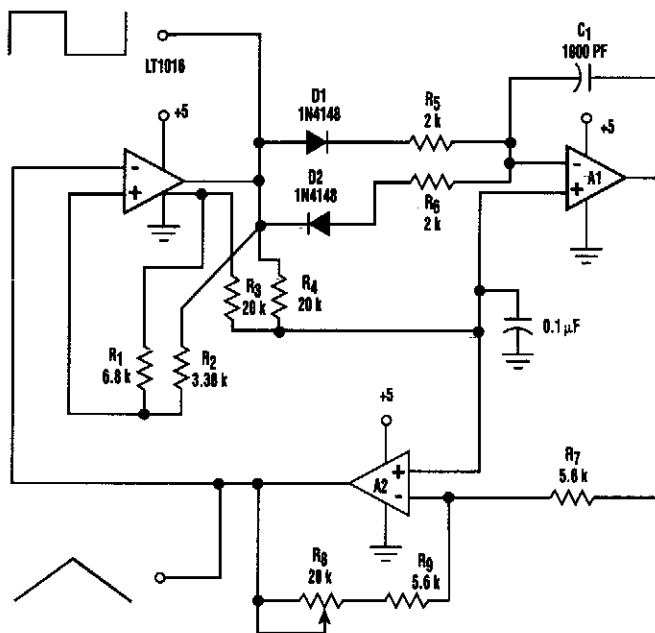
33

Function and Signal Generator Circuits

The sources of the following circuits are contained in the Sources section, which begins on page 675. The figure number in the box of each circuit correlates to the entry in the Sources section.

- Function Generator
- 100-dB Dynamic-Range Log Generator
- Function Generator
- Fast Logarithm Generator
- Triangle-Wave Generator
- 555-Based Ramp Generator
- Triggered Sawtooth Generator
- Signal Generator
- Transistorized Schmitt Trigger
- Linear Sawtooth Generator
- Capacitance Multiplier
- Triangle-Wave Oscillator
- Clock-Driven Triangle-Wave Generator
- Triangle- and Square-Wave Generator
- Root Extractor

FUNCTION GENERATOR

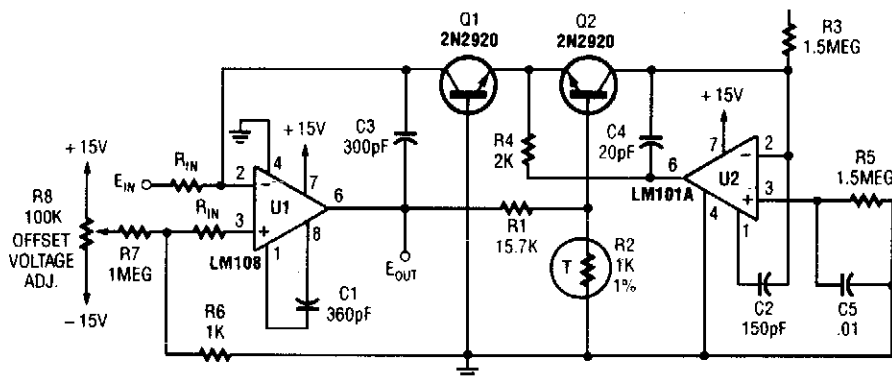


ELECTRONIC DESIGN

FIG. 33-1

This function generator, based on an LT1016 high-speed comparator, will generate from a single +5-V supply. The slow rate of the op amps used determines the maximum useable frequency of this circuit.

100-dB DYNAMIC-RANGE LOG GENERATOR

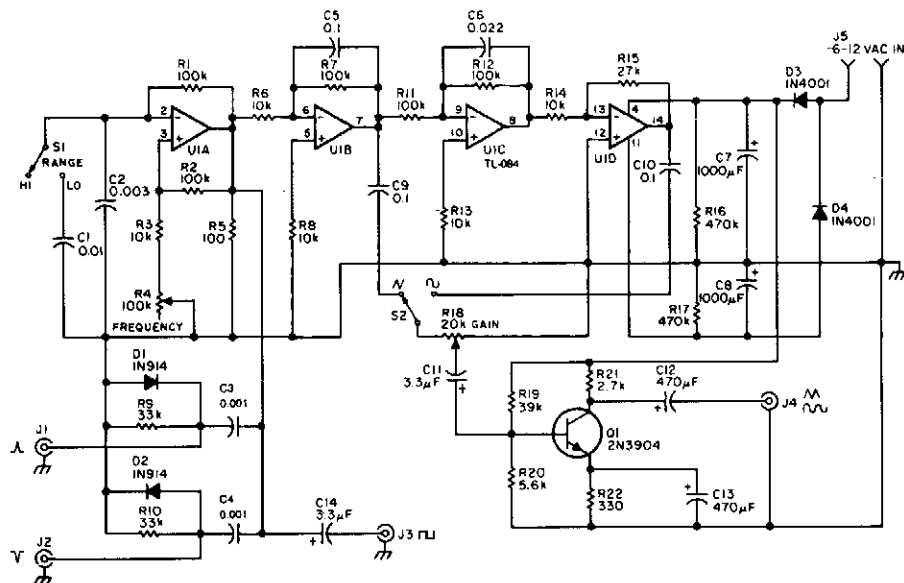


POPULAR ELECTRONICS

FIG. 33-2

$E_{OUT} = \text{constant} \times (\text{Log } E_{IN})$. This circuit has 100-dB dynamic range, which is five decades of voltage change at the input.

FUNCTION GENERATOR

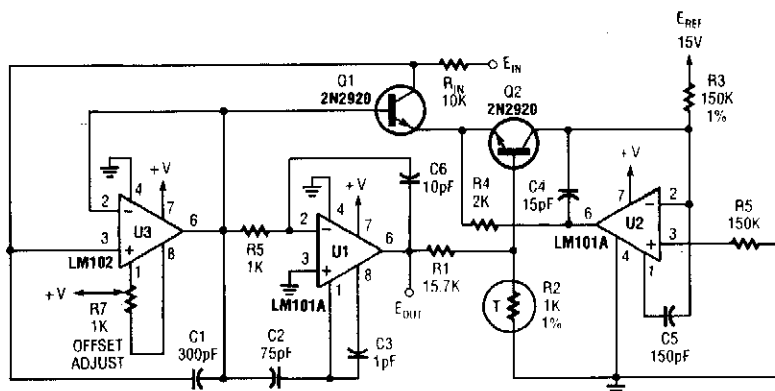


73 AMATEUR RADIO TODAY

FIG. 33-3

A quad op amp makes up the heart of this function generator. U1-a generates a square wave, and outputs this to J3. J1 and J2 are pulse outputs obtained by differentiating the square wave. Integrator U1-b generates a triangle-wave shaper to obtain a sine wave. Q1 is an output amplifier.

FAST LOGARITHM GENERATOR

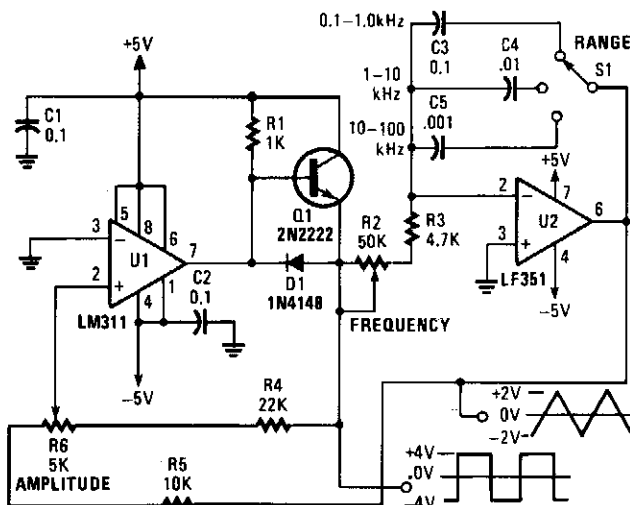


POPULAR ELECTRONICS

FIG. 33-4

In this circuit, $E_{OUT} = (\text{constant}) \times \log E_{IN}$. The circuit should be useable with op amps other than the ones illustrated.

TRIANGLE-WAVE GENERATOR

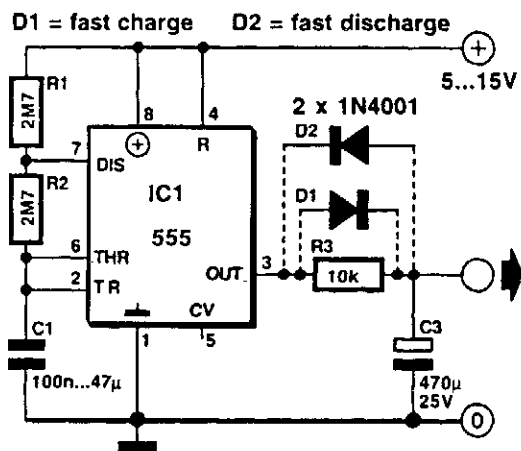


POPULAR ELECTRONICS

FIG. 33-5

This is a simple triangle-wave generator using two IC devices and a transistor. The triangle wave is used as feedback to the square-wave generator. S1 allows range switching in three ranges from 100 Hz to 100 kHz. Extra positions could be used to extend the range to lower frequencies, using larger values of capacitance.

555-BASED RAMP GENERATOR

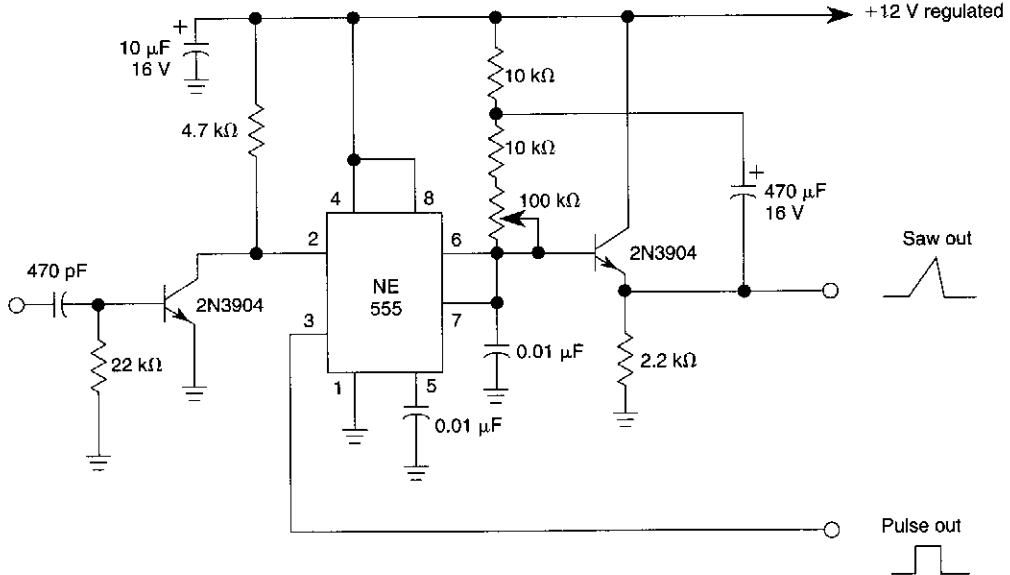


This circuit is used to generate a ramp voltage for tuning a radio receiver. An NE555, running at about 0.1 Hz, is used as an astable multivibrator.

ELEKTOR ELECTRONICS

FIG. 33-6

TRIGGERED SAWTOOTH GENERATOR

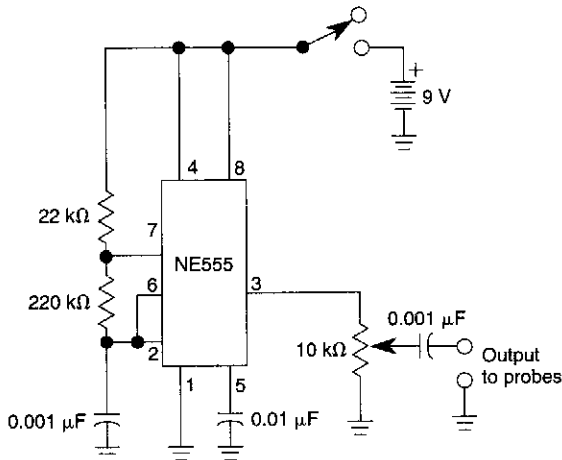


WILLIAM SHEETS

FIG. 33-7

Two 2N3904 transistors and a 555 form a triggered sawtooth generator. A sawtooth or other rising voltage input provides a pulse output when the trigger point is reached.

SIGNAL GENERATOR

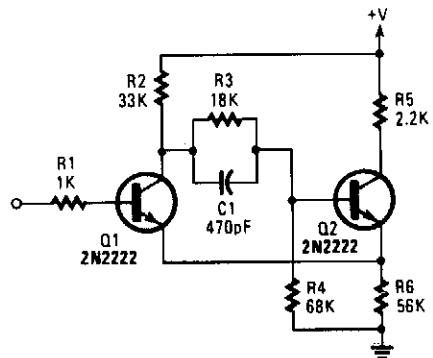


WILLIAM SHEETS

FIG. 33-8

This simple oscillator is rich in harmonics which make this circuit useful for signal tracing applications.

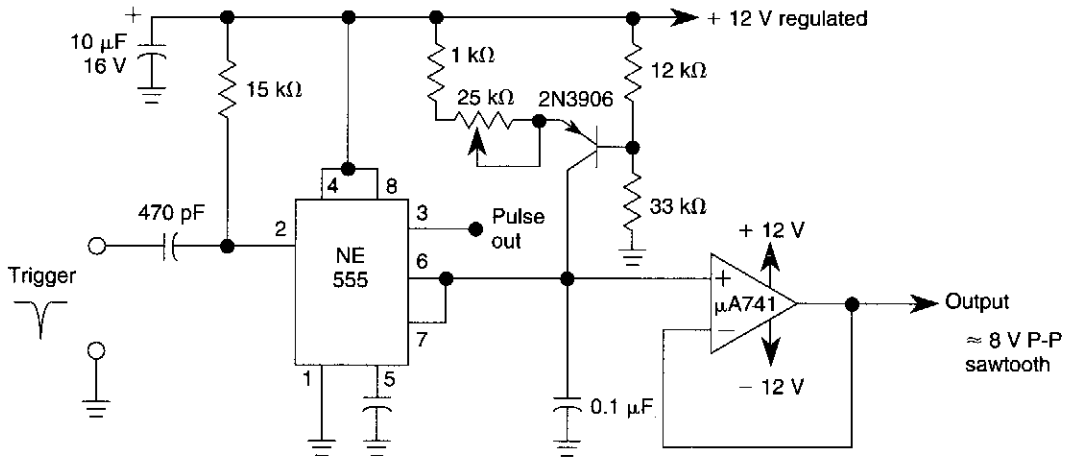
TRANSISTORIZED SCHMITT TRIGGER



POPULAR ELECTRONICS

FIG. 33-9

LINEAR SAWTOOTH GENERATOR

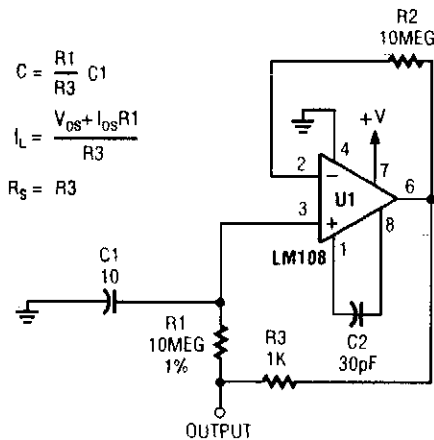


WILLIAM SHEETS

FIG. 33-10

The 2N3906 transistor is used as a constant-current source, to assure that the 555-based sawtooth generator generates a linear ramp waveform.

CAPACITANCE MULTIPLIER

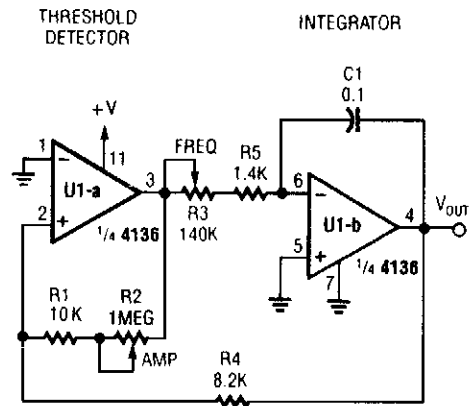


POPULAR ELECTRONICS

FIG. 33-11

Capacitance multiplier uses the gain of an op amp to produce an effective capacitance—in this case 100,000 µF.

TRIANGLE-WAVE OSCILLATOR



POPULAR ELECTRONICS

FIG. 33-12

U1-b acts as an integrator while U1-a is a threshold detector. R2 sets the trip level and therefore the amplitude. R3 controls charging current of C1 and the frequency.

CLOCK-DRIVEN TRIANGLE-WAVE GENERATOR

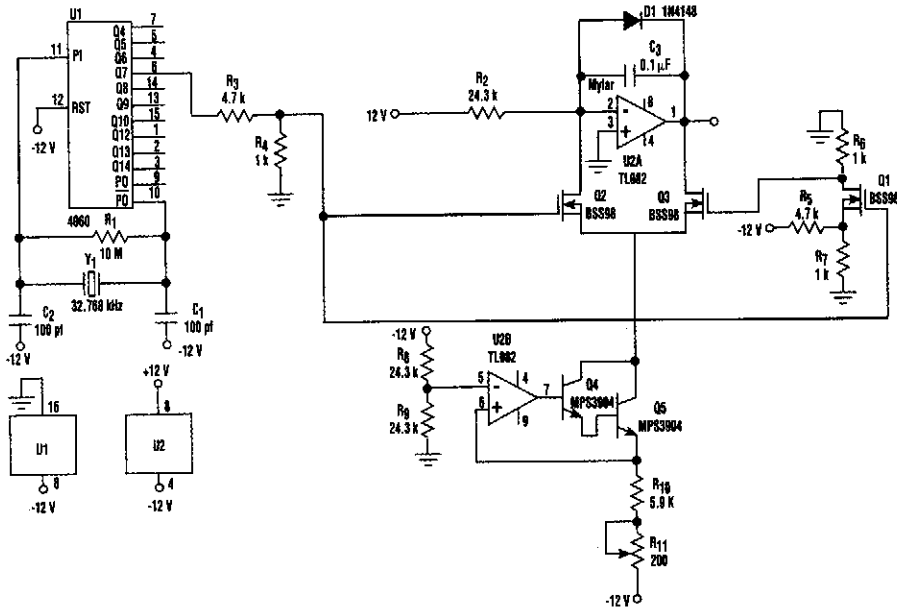


FIG. 33-13

ELECTRONIC DESIGN

U2-a, C3 and R2 operate as an integrator. Q2 and Q3 are alternately switched at 256 cycles. U2-b, Q4, Q5, and R8 through R11 are a constant current generator, and R11 is set for a symmetrical triangular waveform.

TRIANGLE- AND SQUARE-WAVE GENERATOR

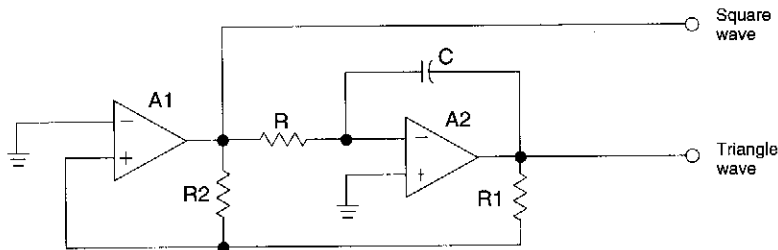


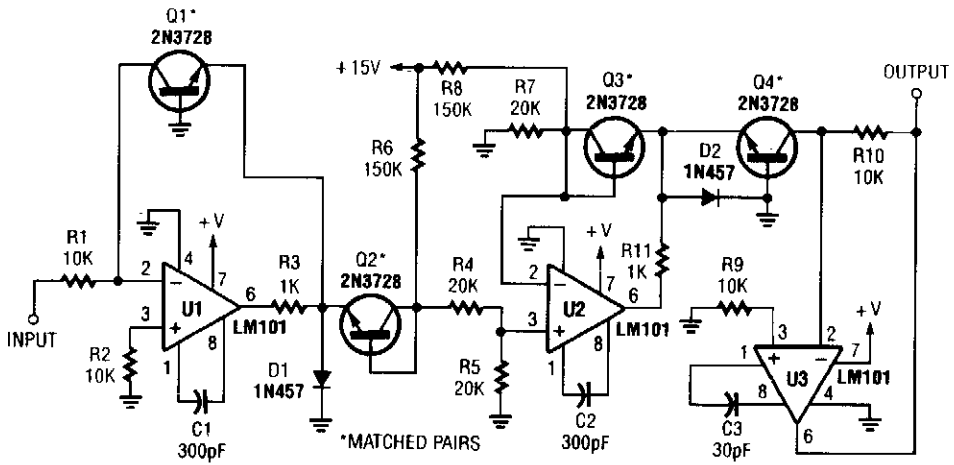
FIG. 33-14

WILLIAM SHEETS

The circuit will generate precision triangle and square waves. The output amplitude of the square wave is set by the output swing of op amp A1, and R_1/R_2 sets the triangle amplitude. The frequency of oscillation in either case is approximately $1/0.69RC$.

The square wave will maintain 50% duty cycle—even if the amplitude of the oscillation is not symmetrical. The use of a fast op amp in this circuit will allow good square waves to be generated to quite high frequencies. Because the amplifier runs open-loop, compensation is not necessary. The triangle-generating amplifier should be a compensated type. A dual op amp, such as the MC1458, can be used for most applications.

ROOT EXTRACTOR



POPULAR ELECTRONICS

FIG. 33-15

This circuit produces a voltage that is proportional to the root of the input. This gives a logarithmic response, $\log V_{IN}^N = N \log V_{IN}$.

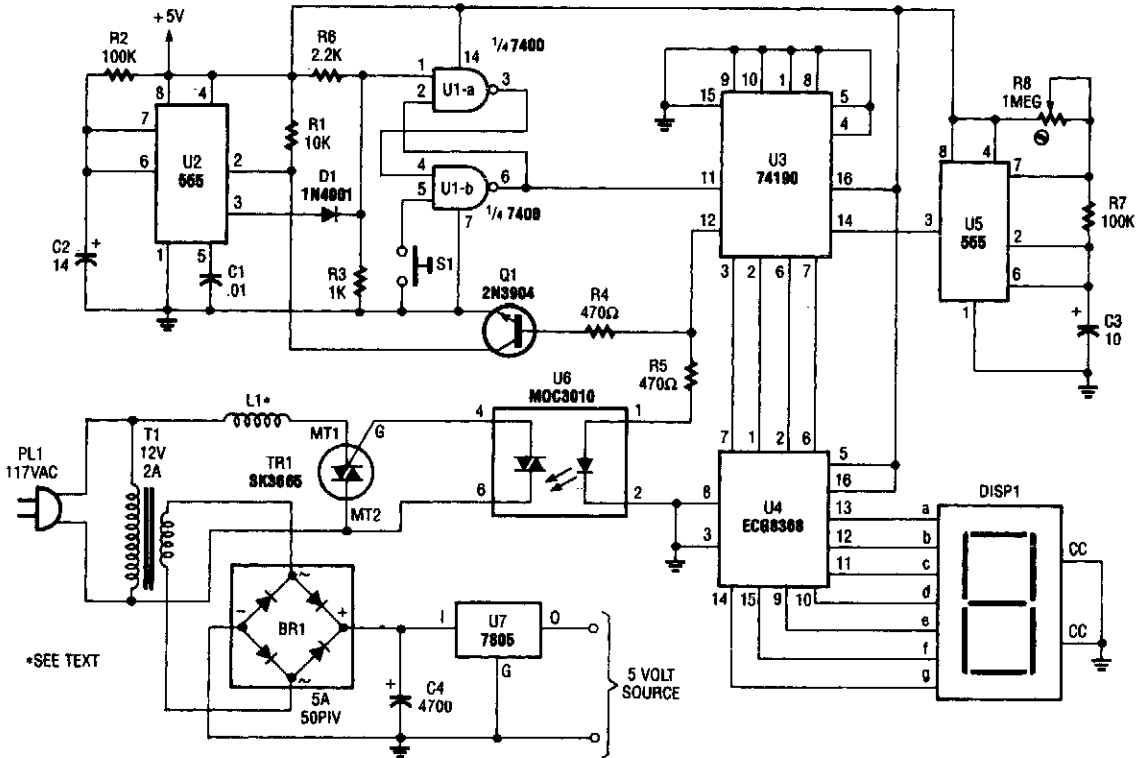
34

Game Circuits

The sources of the following circuits are contained in the Sources section, which begins on page 675. The figure number in the box of each circuit correlates to the entry in the Sources section.

Electromagnetic Ring Launcher
Quiz Master
Electronic Slot Machine

ELECTROMAGNETIC RING LAUNCHER



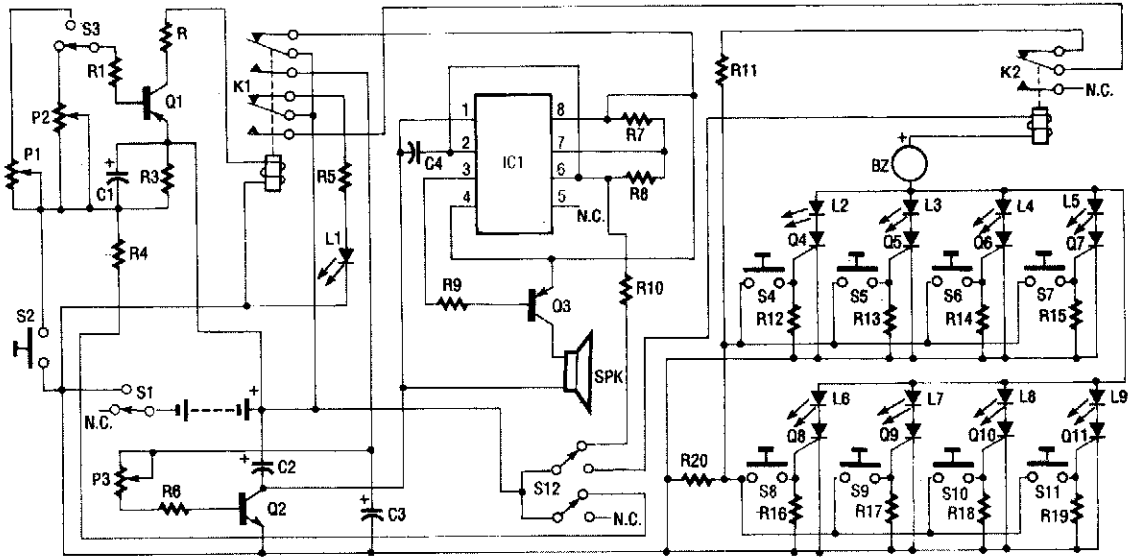
1993 ELECTRONICS HOBBYIST HANDBOOK

FIG. 34-1

The electromagnetic ring launcher is comprised of four subcircuits: a clock circuit (built around U5, a 555 oscillator/timer configured for astable operation), a count-down/display circuit (built around U3), a 74190 synchronous up/down counter with BCD outputs that is configured for count-down operation; U4, an ECG8368 BCD-to-7-segment latch/decoder/display driver; and DISP1, a common-cathode seven-segment display), a trigger circuit (comprised of U6), an MOC3010 optoisolator/coupler with Triac-driver output; TR1, an SK3665 200-PIV, 4-A Triac; and a few support components), and a reset circuit (comprised of U1, a 7400 quad 2-input NAND gate; U2, a second 555 oscillator/timer configured for monostable operation; and a few support components).

This circuit is that of a repulsion coil (L1) used to demonstrate the principle of electromagnetic repulsion by propelling a metal ring around the core of L1 through the air. A countdown circuit is provided to count seconds before launch.

QUIZ MASTER



1991 PE HOBBYIST HANDBOOK

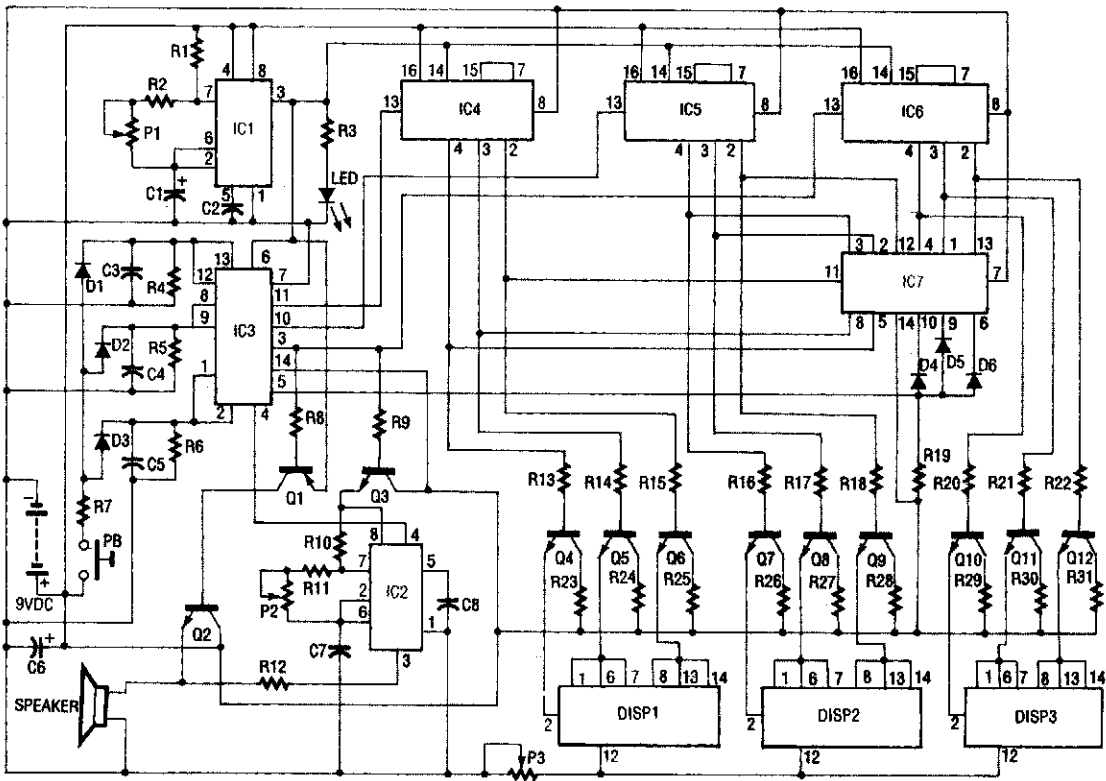
FIG. 34-2

Up to eight players each have their own answer button to press, corresponding to the four Red Team and four Green Team LEDs on the master control board. As soon as the first contestant who thinks that he knows the answer presses the button, a loud tone sounds, all other contestants are locked out, and the contestant's indicator LED lights on the control board so that it's obvious who buzzed in first.

The control board also features two selectable "time out" periods—each adjustable from 3 to 15 seconds, setting specified time intervals in which the player must answer before the "time's up!" tone sounds. Eight SCRs form the heart of the circuit. The anode of each SCR has a positive (+) bias on it by way of an LED and a negative (-) bias on each cathode. As soon as a contestant depresses his or her switch button (S4 through S11), a positive bias is applied to the respective SCR gate. That bias latches the contestant's SCR on, which in turn lights up the appropriate LED on the master control board. At the same time, the activity of the SCR latching on turns on the answer buzzer (BZ) and locks out all other contestants. The lockout occurs because relay K2 contacts operate to remove the availability of a bias voltage to the gate of the other SCRs.

The other circuitry consists of a timer circuit and a "time's-up" tone-generating circuit. The timer circuit consists of transistor Q1, capacitor C1, resistors R1 through R3, and trimmer resistors P1 and P2. Depending on the adjustment of the trimmer resistors and selection switch S3, a specific time period can be set. The time's-up tone-generating circuit is made up of IC1, transistors Q2 and Q3, and the associated resistors and capacitors. The "on" time of the tone can be set by P3. Relay K1, which is operated by the timer circuit, serves to reset the entire unit for the next question.

ELECTRONIC SLOT MACHINE



1991 PE HOBBYIST HANDBOOK

FIG. 34-3

The slot machine's realistic action is provided by seven ICs and three displays, as shown. Two 555 CMOS timer ICs generate pulses. IC1 is used to generate the clock pulses for the entire electronic slot machine. The pulses are coupled from the output (pin 3) to the clock inputs of IC4, IC5, and IC6, the display-driver ICs.

The displays are common-cathode 7-segment LED types. They are wired to display three different symbols, an "L," a "7," and "bar." When all three displays show the same symbols, IC7 (a 4023 triple 3-input NAND gate) decodes a winner and sends a signal to pin 5 of IC3. That IC is a 4001 CMOS NOR gate and it turns on IC2, a 555 timer IC. IC2 actually produces the winner tone on its output, pin 3.

Transistors Q4 through Q12 are used to drive the common-cathode displays. An LED is used to indicate the clock pulses, and a variable resistor is provided for each of these functions. Trimmer resistor P1 controls the overall clock rate, P2 controls the "winner" tone, and P3 controls the display brilliance.

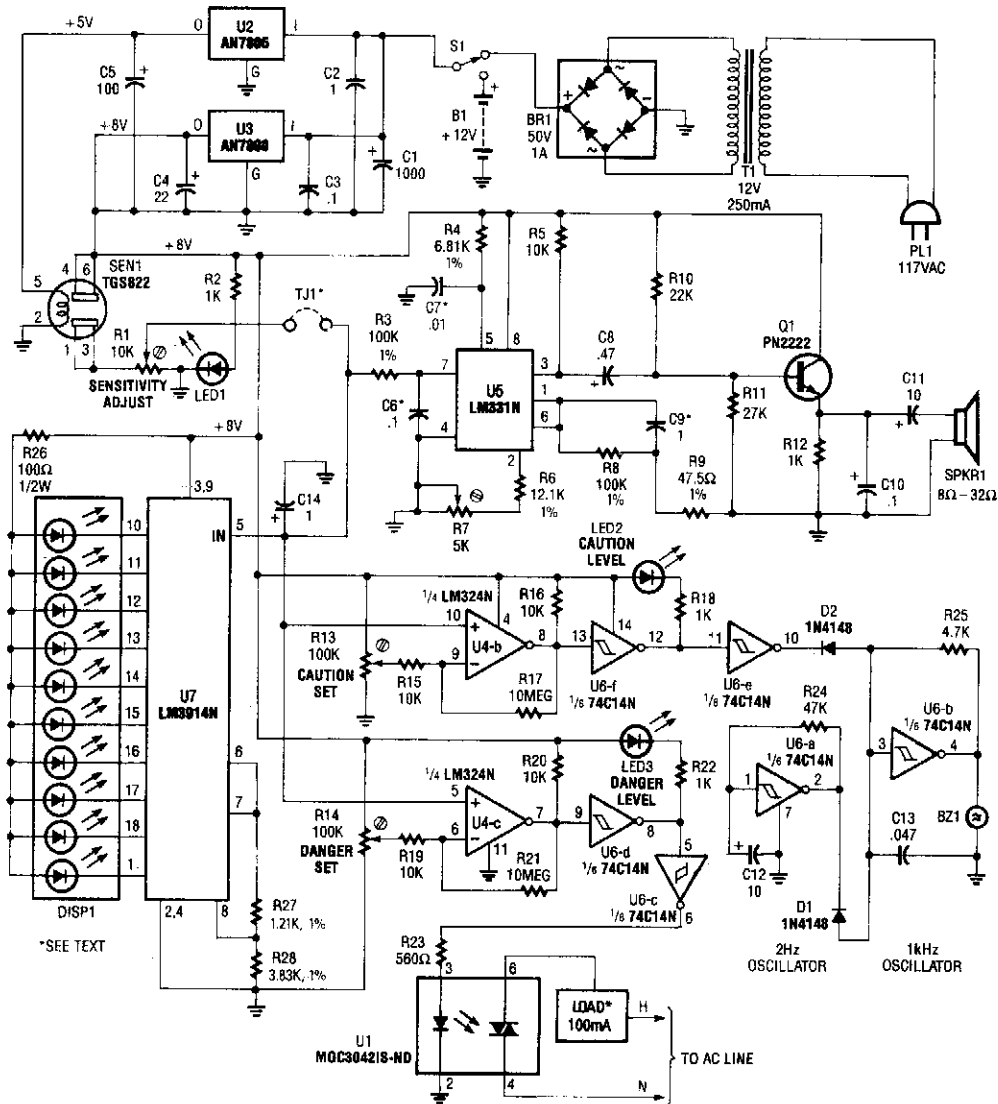
35

Gas Detector Circuits

The sources of the following circuits are contained in the Sources section, which begins on page 675. The figure number in the box of each circuit correlates to the entry in the Sources section.

Explosive Gas Detector
Combustible Gas Detector

EXPLOSIVE GAS DETECTOR

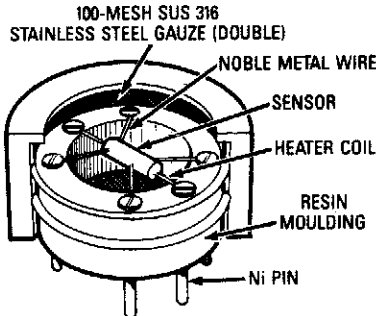
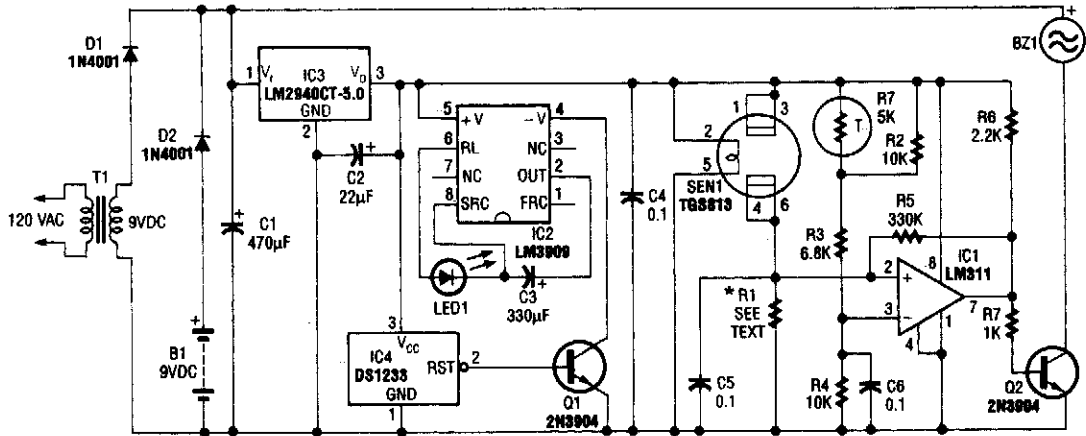


POPULAR ELECTRONICS

FIG. 35-1

A gas sensor (TGS823 from Allegro Electronics, Cornwall Bridge, CT 06754) conducts in the presence of explosive gases. U5 is a voltage-to-frequency converter that produces a frequency proportional to the sensor conductance. The output frequency ranges from 100-Hz in clean air to 8 kHz in a contaminated atmosphere. The dc voltage from the sensor also drives bar graph LED U7 and comparators U4-b and U4-c to sense present caution and danger levels. U1 drives an ac load up to 100 mA (relay, indicator, alarm, etc.).

COMBUSTIBLE GAS DETECTOR



THE GAS SENSOR is mainly composed of tin dioxide on a ceramic base; the resistance of the sensor varies depending on the concentration of reducing gases in the air.

The circuit shown is useful for the detection of dangerous levels of combustible fumes or gases. It uses a comparator circuit to trigger an alarm buzzer. The sensor's resistant element is connected in series with resistor R1 to form a voltage-divider circuit; R1 is specifically matched to each gas sensor by the manufacturer.

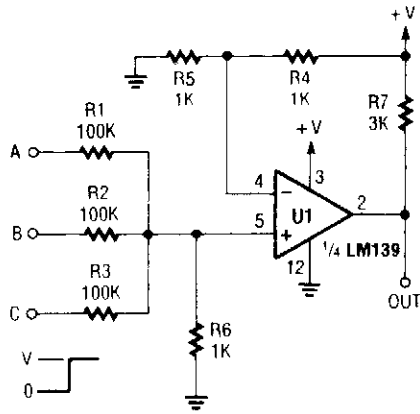
36

Gate Circuit

The source of the following circuit is contained in the Sources section, which begins on page 675. The figure number in the box of the circuit correlates to the entry in the Sources section.

AND Gate

AND GATE



POPULAR ELECTRONICS

FIG. 36-1

A left-over section of a quad op amp can be used to save cost and eliminate an extra logic chip for this AND gate.

37

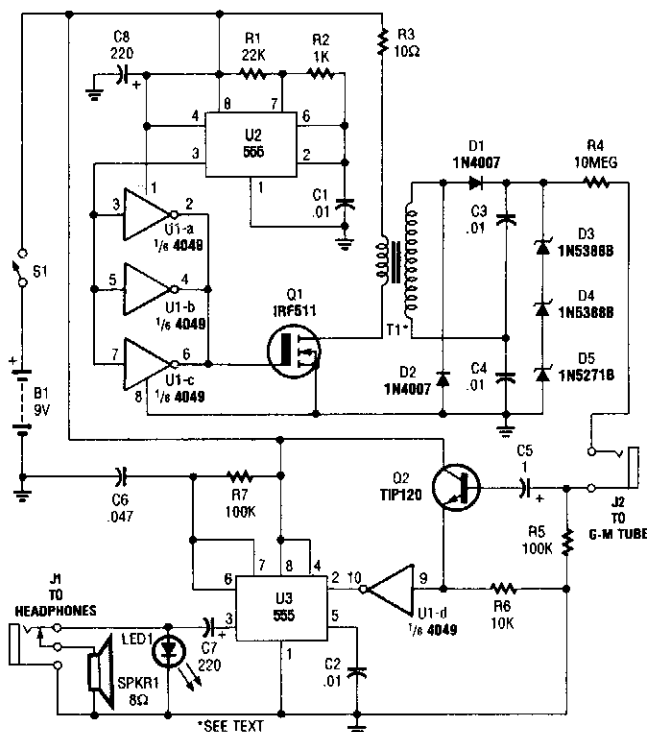
Geiger Counter Circuits

The sources of the following circuits are contained in the Sources section, which begins on page 675. The figure number in the box of each circuit correlates to the entry in the Sources section.

Geiger Counter I

Geiger Counter II

GEIGER COUNTER I



POPULAR ELECTRONICS

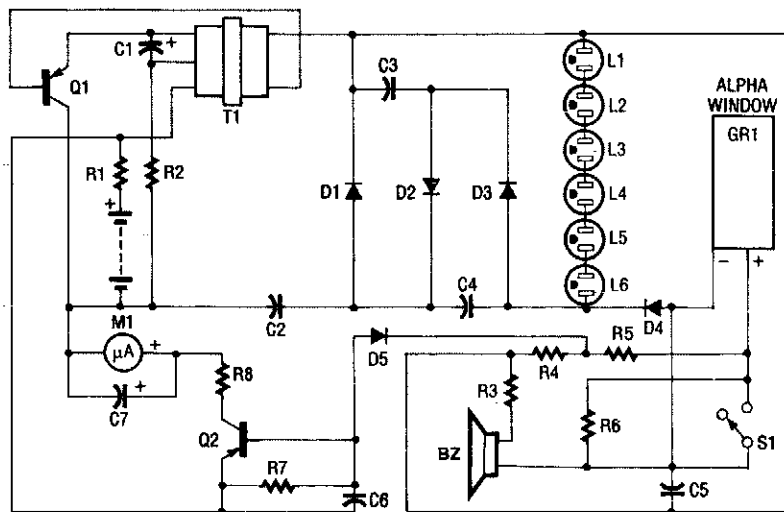
FIG. 37-1

The circuit is built around a 4049 hex inverter (U1), a pair of 555 oscillator/timers (U2 and U3), two transistors, a Geiger-Muller tube, and a few additional support components. The first 555 (U2) is configured for astable operation. The output of U2 (a series of negative-going pulses) at pin 3 is fed to three parallel-connected inverters (U1-a, U1-b, and U1-c). The positive-going output pulses of the inverters are fed to the gate of Q1, causing it to toggle on and off.

The output of Q1, which is connected in series with the primary of step-up transformer T1, produces a stepped-up series of pulses in T1's secondary. The output of T1 (approximately 300 V) is fed through a voltage doubler (consisting of D1, D2, C3, and C4), producing a voltage of around 600 V. Three series-connected Zener diodes (D3, D4, and D5) are placed across the output of the voltage doubler to regulate the output to 500 V, fed through R4 (a 10-M Ω current-limiting resistor) and J2 to the anode of the GM tube. The limiting resistor also allows the detection ionization to be quenched.

The cathode side of the tube is connected to ground through a 100-k Ω resistor, R5. When a particle is detected by the GM tube, the gases within the tube ionize, producing a pulse across R5. That pulse is also fed through C5 and applied to the base of Q2 (a TIP120 npn transistor), where it is amplified and clamped to 9 V. The output of Q2 is inverted by gate U1-d, then it is used to trigger U3 (the second 555, which is configured for monostable operation). The output of U3 at pin 3 causes LED1 to flash, and produces a click that can be heard through speaker SPKR1 or headphones. The circuit is powered by a 9-V alkaline battery and draws about 28 mA when not detecting radiation.

GEIGER COUNTER II



- BZBlue Piezo Buzzer
- C1 4.6- μ F Electrolytic Ca-
pacitor
- C2–C4 ...0.005- μ F 1-kV Disc Ca-
pacitor
- C5 01- μ F 1-kV Disc Ca-
pacitor (103 M)
- C6 1- μ F 100-V Mylar Ca-
pacitor (104 k)
- C7 33- μ F Electrolytic Ca-
pacitor
- D1–D5 ...1N4007 Diodes
- GR1 Alpha Window Geiger
Mueller Tube
- L1–L6Neon Lamps
- M1 0–200 Microamp Meter
- Q1 02-GE PNP Power Tran-
sistor
- Q2 2N3906 Transistor
- R1 47-ohm Resistor
- R2, R3 ... 3.9-k Resistor
- R4, R5 ... 4.7-Meg Resistor
- R6 220-k Resistor
- R7 27-k Resistor
- R8 18-k Ω Resistor
- S1 SPDT Slide Switch
- T1 Inverter Transformer

Q1 is a pnp power transistor used in conjunction with a ferrite transformer to form a blocking-type oscillator. This oscillator is a fixed-frequency type, and the feedback to sustain oscillations is from capacitor C1. Because of the turns ratio of T1, the small ac voltage produced on its primary is converted to a large ac voltage on its secondary. That high-voltage ac is applied to the voltage tripler stage, which consists of capacitors C2, C3, and C4 and diodes D1, D2, and D3. The resultant voltage is now over 800 V and it is regulated by neon lamps L1 through L6. Diode D4 rectifies the high voltage and applies it to the cathode lead of the GM tube. The positive (+) bias on the GM tube is applied to the anode by way of load resistors R4 and R5. Each time a radioactive particle strikes the GM tube, it causes the gas inside to ionize. This ionization of the gas creates a pulse, which drives the piezo speaker and is also coupled by diode D5 to the base of Q2. Transistor Q2 is a pnp type and is used to “integrate” the pulses in conjunction with capacitor C6. That produces a dc voltage level, which is in proportion to the quantity of pulses arriving at the base of Q2. The collector of Q2 is connected through resistor R8 to the (+) terminal of the meter. The other side of the meter goes directly to (–) of the battery.

38

Hall Effect Circuits

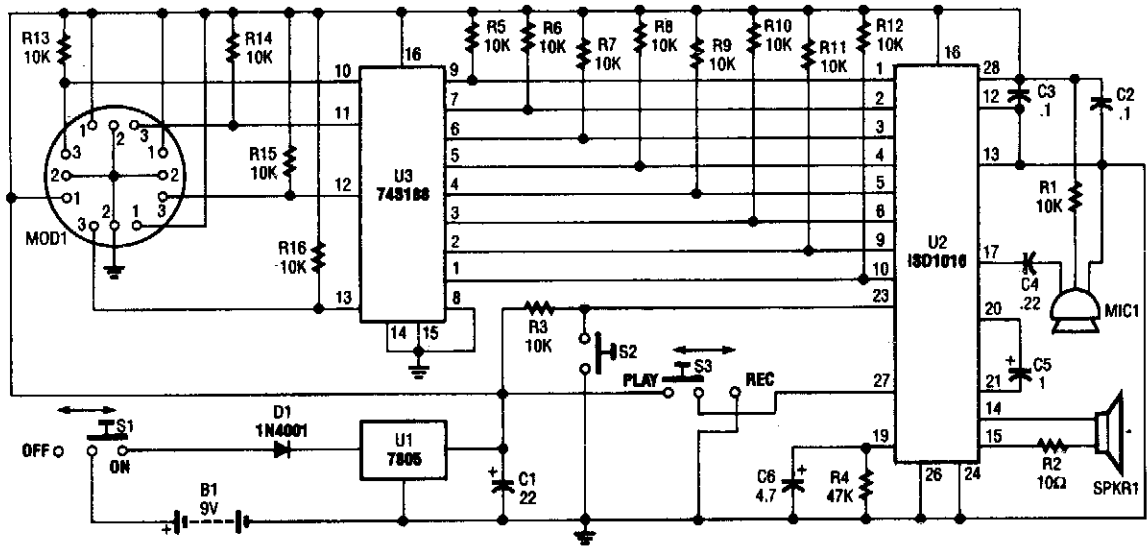
The sources of the following circuits are contained in the Sources section, which begins on page 675. The figure number in the box of each circuit correlates to the entry in the Sources section.

The Talking Compass
Unusual Hall-Effect Oscillators

THE TALKING COMPASS

TABLE 1—74S188 TRUTH TABLE

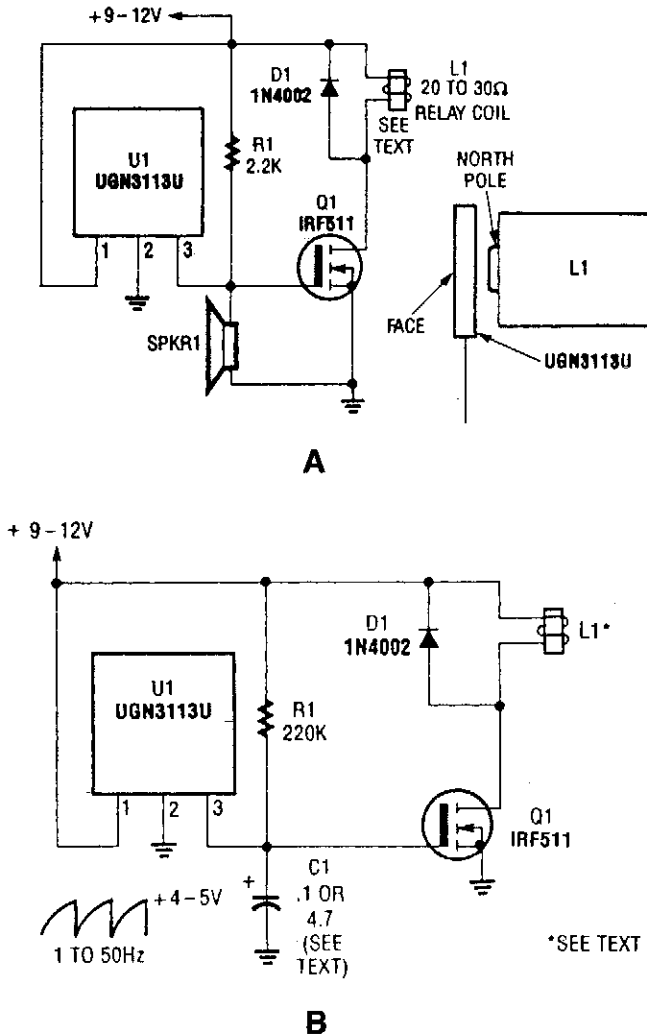
Directory	Input					Output								Decimal Equivalent
	A4	A3	A2	A1	A0	B0	B1	B2	B3	B4	B5	B6	B7	
North	L	H	L	H	H	0	0	0	0	0	0	0	1	1
N.W.	L	L	L	H	H	0	0	0	1	0	1	0	0	20
West	L	L	H	H	H	0	0	1	0	1	0	0	0	40
S.W.	L	L	H	H	L	0	0	1	1	1	1	0	0	60
South	L	H	H	H	L	0	1	0	1	0	0	0	0	80
S.E.	L	H	H	L	L	0	1	1	0	0	1	0	0	100
East	L	H	H	L	H	0	1	1	1	1	0	0	0	120
N.E.	L	H	L	L	H	1	0	0	0	1	1	0	0	140



A talking compass is made up using a Hall-effect direction sensor (MOD1) and an ISD1016 analog audio storage device. It is possible to program eight two-second announcements, for each of the eight main compass directions.

The Talking Compass is comprised of a digital compass (MOD1), and ISD1016 analog storage device (U2), a 74S188 preprogrammed PROM (U3), and a handful of additional components.

UNUSUAL HALL-EFFECT OSCILLATORS



Although not intended for this application, Hall-effect switch can be used as the basis for a rather unusual oscillator. The oscillator can be reconfigured, as shown in Fig. B, to allow the circuit's oscillating frequency to be controlled via an RC network, comprised of R1 and C1.

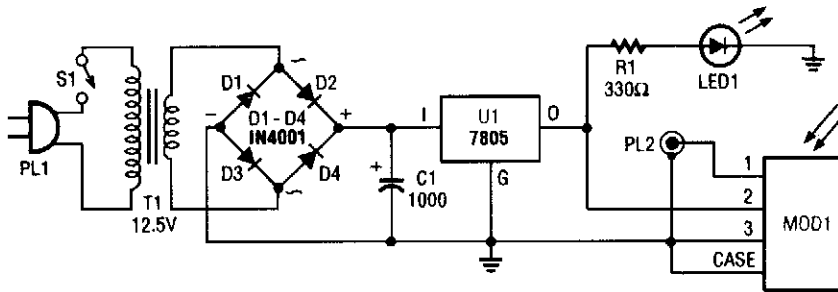
39

Infrared Circuits

The sources of the following circuits are contained in the Sources section, which begins on page 675. The figure number in the box of each circuit correlates to the entry in the Sources section.

Remote-Control Analyzer	Wireless IR Headphone Receiver
IR-Pulse-to-Audio Converter	Infrared Remote-Control Tester
IR-Controlled Remote A/B Switch	Pulsed Infrared Transmitter for On/Off Control
Simple IR Detector	Very Simple IR Remote-Control Circuit
Infrared Receiver	IR Receiver
Selective Preamplifier for Infrared Photodiode	Remote-Control Tester
Wireless IR Headphone Transmitter	

REMOTE-CONTROL ANALYZER



POPULAR ELECTRONICS

FIG. 39-1

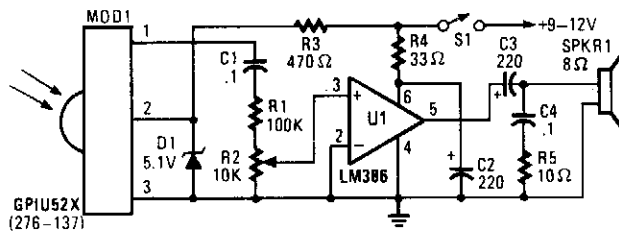
A schematic diagram for the remote analyzer is shown. The circuit is powered from a simple 5-V supply, consisting of PL1, S1, T1, a bridge rectifier (comprised of D1 through D4), capacitor C1, and a common 5-V regulator, U1. Switch S1 is the on/off control and is optional. The power-supply transformer used in the prototype is a 12.6-Vac unit, but any transformer that can supply at least 5.6-Vac will do. The 12.6-V unit was used solely because of its availability.

The output of T1 is full-wave rectified by diodes D1 through D4 and filtered by C1. The bumpy dc output from the capacitor is regulated down to 5 V by U1, a 7805 integrated regulator. LED1 acts as a power indicator to let you know that the circuit is active.

The 5-Vdc powers a GPIU52X infrared-detector module* (MOD1), which demodulates the 40-kHz carrier used by most infrared remotes. After demodulation, the resulting logic pulses are sent to an oscilloscope via PL2, a BNC connector.

*Radio Shack part #276-137

IR-PULSE-TO-AUDIO CONVERTER

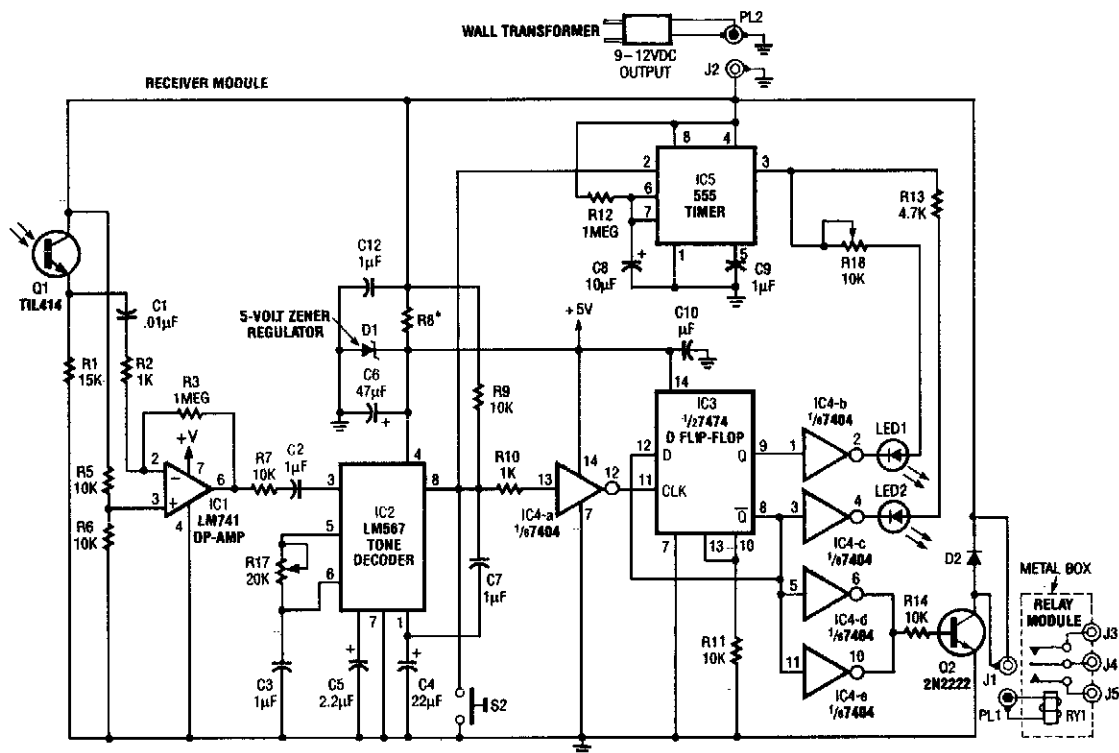


POPULAR ELECTRONICS

FIG. 39-2

If your ear is good, you can use this IR-pulse-to-audio converter to troubleshoot infrared remote-controls. It is also a good project for detecting infrared-light sources. A photo cell module (Radio Shack P/N 276-137) detects IR radiation and drives audio IC U1. This circuit is useful for troubleshooting IR remote controls.

IR-CONTROLLED REMOTE A/B SWITCH

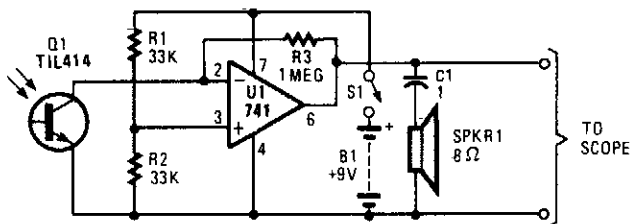


RADIO ELECTRONICS

FIG. 39-3

Useful for A/B control, the IR receiver shown controls a relay from an infrared beam that has a pulsed tone-modulated signal. Q1 is the photo receptor feeding op amp IC1, tone decoder IC2, and flip-flop IC3. IC5 turns off the indicator LEDs after about 15 seconds.

SIMPLE IR DETECTOR

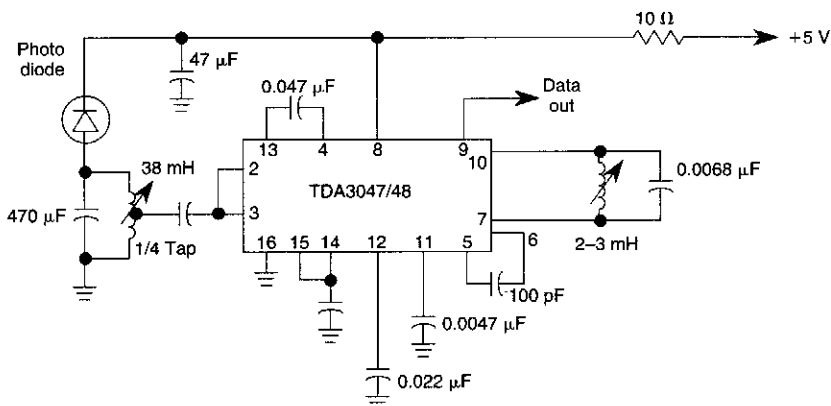


POPULAR ELECTRONICS

FIG. 39-4

Useful for IR detection, this circuit uses an op amp of the 741 family (or similar) to detect and amplify IR pulses.

INFRARED RECEIVER

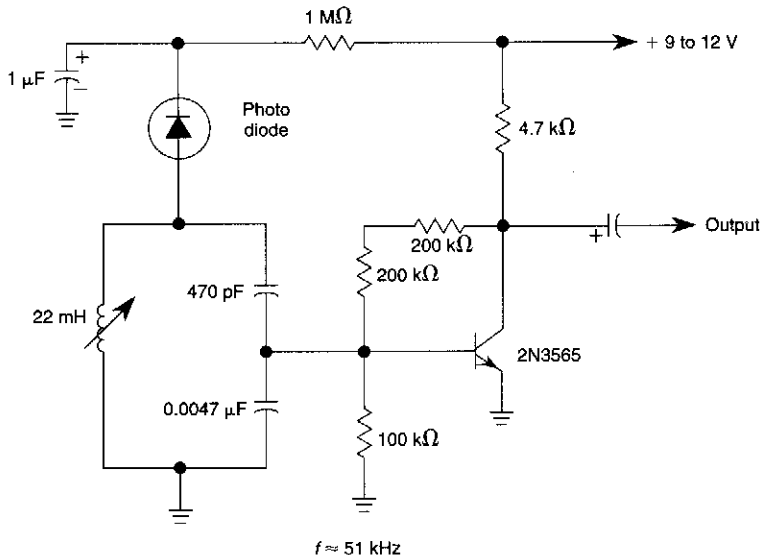


WILLIAM SHEETS

FIG. 39-5

The circuit operates from a 5-V supply and has a current consumption of 2 mA. The output is a current source that drives or suppresses a current of more than 75 μA with a voltage swing of 4.5 V. The Q-killer circuit eliminates distortion of the output pulses because of the decay of the tuned input circuit at high input voltages. The input circuit is protected against signals of more than 600 mV by an input limiter. The typical input is an AM signal at a frequency of 36 kHz.

SELECTIVE PREAMPLIFIER FOR INFRARED PHOTODIODE

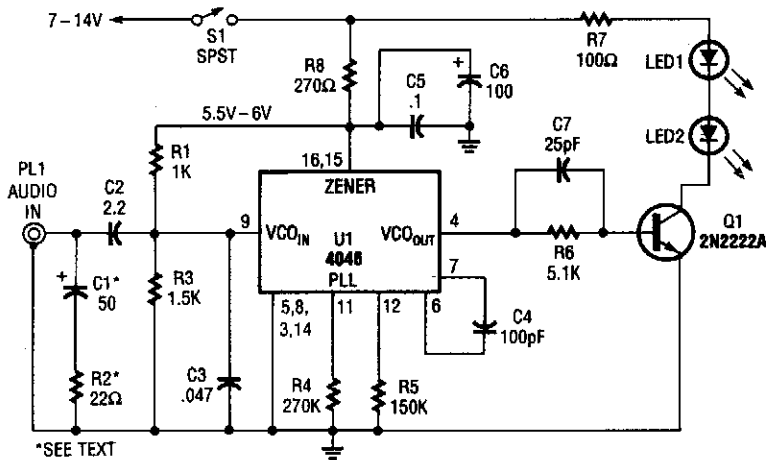


WILLIAM SHEETS

FIG. 39-6

The circuit uses a tuned circuit to achieve frequency selection. Values are for operation at about 51 kHz. The 2N3565 amplifies the output developed by the tuned circuit.

WIRELESS IR HEADPHONE TRANSMITTER

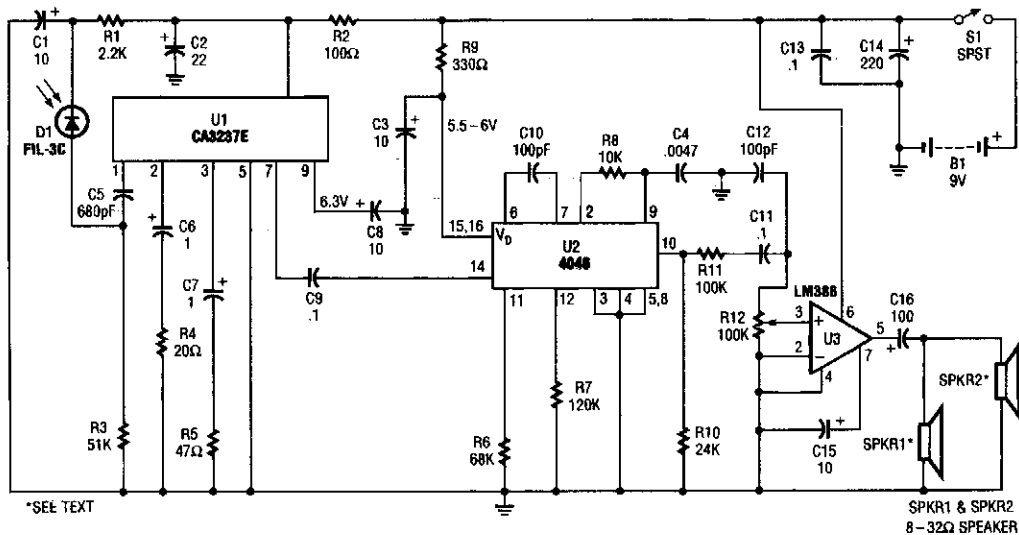


POPULAR ELECTRONICS

FIG. 39-7

The transmitter for the wireless headphones is built around a CD4046 CMOS phase-locked loop, coupled with a driver transistor, and a pair of infrared LEDs. Although the CD4046 is comprised of two phase comparators, a voltage-controlled oscillator (or VCO), a source follower, and a zener reference, only its VCO is used in this application.

WIRELESS IR HEADPHONE RECEIVER

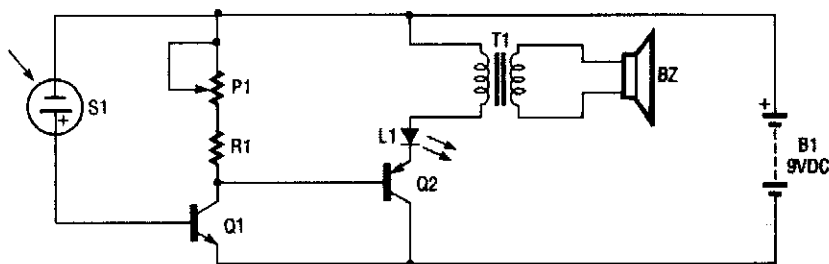


POPULAR ELECTRONICS

FIG. 39-8

IR detector diode D1 intercepts the IR signal at around 40 kHz and feeds it from U1, a high-gain preamp, to PLL, U2, a 4046 configured to serve as an FM detector. U3 is an audio amplifier that feeds a pair of headphones or a speaker.

INFRARED REMOTE-CONTROL TESTER



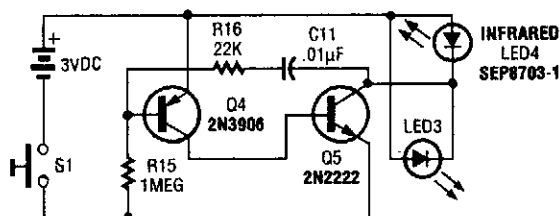
1991 PE HOBBYIST HANDBOOK

FIG. 39-9

The infrared remote-control tester uses a sensitive PN-type solar sensor that is connected directly to a Darlington amplifier made up of transistors Q1 and Q2. Biasing is provided by R1 and P1, a variable resistor that serves as a sensitivity control. The collector lead of Q1 is the output lead of the Darlington amp, and it is connected to a red LED and the primary of transformer T1. The function of T1 is to convert the low-voltage output signal to a level high enough to drive a small piezo disc. That disc makes a clicking sound when the sensor picks up an infrared signal that is varying in frequency or amplitude. The infrared sensor will also pick up visible light. The use of an IR filter (Wrattton #87) is recommended.

- BZ Piezo Disc
- L1 Jumbo Red LED
- P1 2-M Ω Trimmer Resistor
- Q1 2N3904 Transistor
- Q2 2N3906 Transistor
- R1 270- Ω Resistor
- S1 Solar Sensor
- T1 Audio Transformer

PULSED INFRARED TRANSMITTER FOR ON/OFF CONTROL

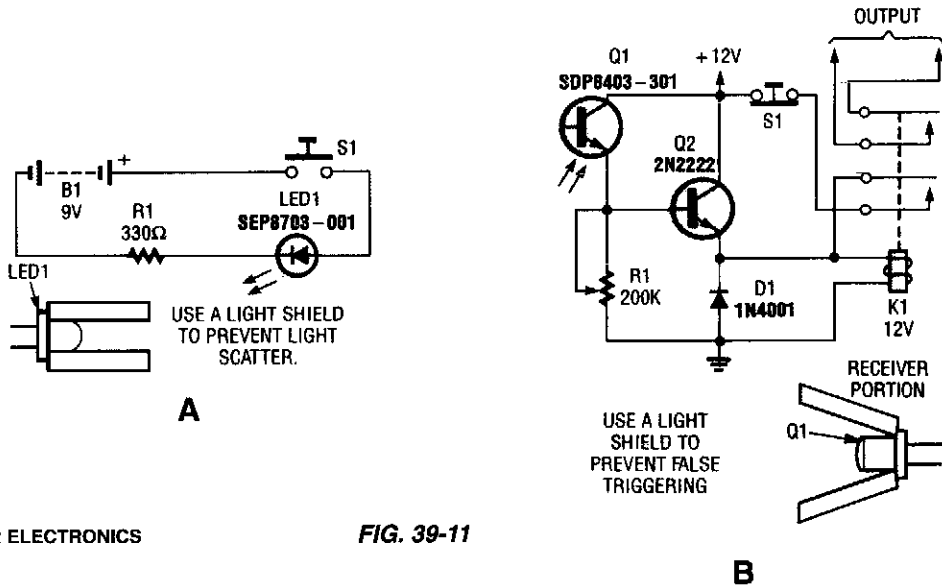


RADIO ELECTRONICS

FIG. 39-10

This transmitter consists of an oscillator and LEDs. It generates a pulsed tone of around 850 Hz.

VERY SIMPLE IR REMOTE-CONTROL CIRCUIT

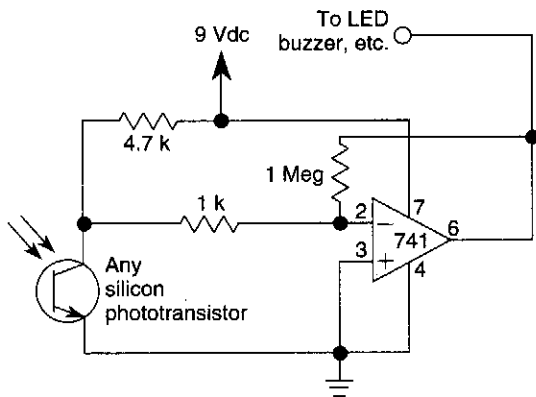


POPULAR ELECTRONICS

FIG. 39-11

Here is a complete IR remote-control system that consists of a simple transmitter (A) and an equally simple receiver (B).

IR RECEIVER

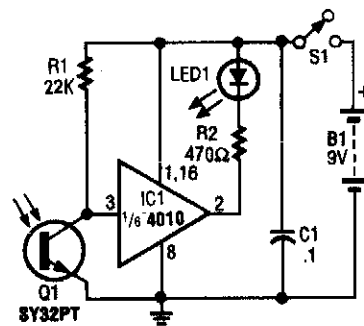


ELECTRONICS NOW

FIG. 39-12

This circuit is just about the simplest IR receiver you can build. The parts are cheap, the layout is not critical, and a 9-V battery will last a long time.

REMOTE-CONTROL TESTER



ELECTRONICS NOW

FIG. 39-13

The IR Tester circuit lets you know if the button you press on a remote control is working. Q1 is a photo transistor that is activated by IR energy.

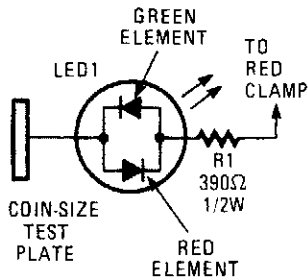
40

Indicator Circuits

The sources of the following circuits are contained in the Sources section, which begins on page 675. The figure number in the box of each circuit correlates to the entry in the Sources section.

Polarity Indicator
Tri-Color Indicator

POLARITY INDICATOR



POPULAR ELECTRONICS

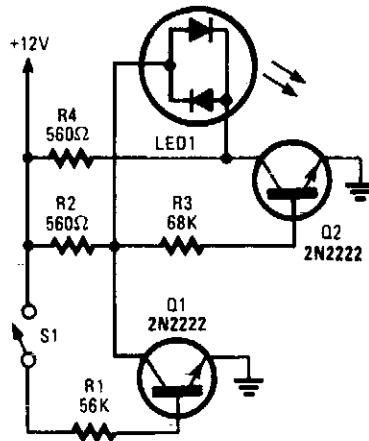
FIG. 40-1

This circuit consists of a tri-color LED, a resistor, wire, and a coin-size test plate. You will have to build two such circuits—one for each black clamp on a set of auto battery jumper cables. The author installed the circuits inside the black clamps themselves using lengths of wire to make the connections to the red clamps.

The first step is to connect one red clamp to what you believe is the positive post on the okay battery. Then, touch the test plate on the black clamp at the end of the cable to the negative terminal on the good battery. The LED will light red if the red clamp is on the wrong terminal. If so move the clamp to the other post and check again. If all is well, the LED will light green. Pick up the other black clamp and connect it to the remaining post on the good battery.

Connect the remaining red clamp to what you assume to be the positive terminal on the bad battery. Now, touch the test plate on the remaining clamp to the engine block or a bare area on the dead car's frame. If the LED appears or doesn't glow, switch the red clamp to the other terminal and test again. When the LED glows green, attach the black clamp to the car's frame (which will prevent any sparks from occurring near the battery). When you remove the clamps, take the clamps off in reverse order to avoid sparks.

BI-COLOR INDICATOR



POPULAR ELECTRONICS

FIG. 40-2

With S1 open, base bias is supplied to Q2 through a voltage divider (formed by R2 and R3), thus turning on the green element in the LED. That indicates that power is being supplied to the project. If you close S1, current through R1 biases Q1 on, thereby grounding the voltage divider and turning off Q2. That reverses the flow of current through the LED, which causes its red element to light. That indicates that the circuit is under power and S1 (really a DPDT switch), whose remaining section controls another circuit, is active. In this circuit, a bi-color LED is used to indicate when a circuit is under power and the status of S1. In that way, the LED does the job of two indicators.

41

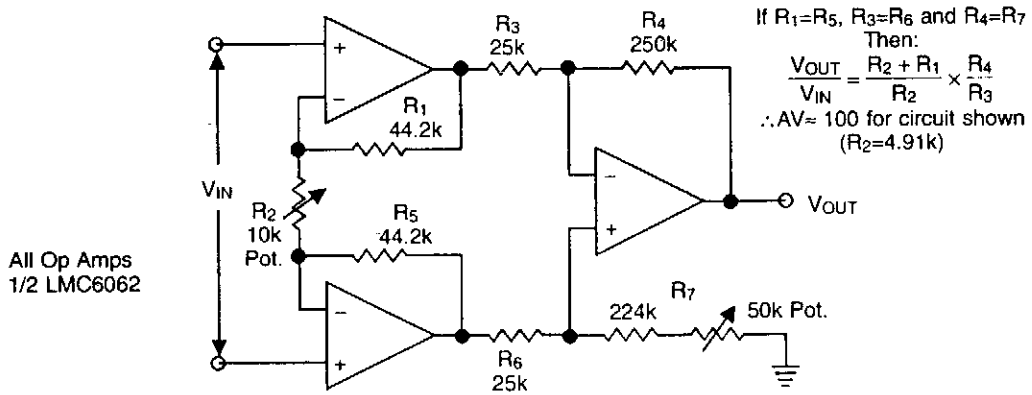
Instrumentation Amplifier Circuits

The sources of the following circuits are contained in the Sources section, which begins on page 675. The figure number in the box of each circuit correlates to the entry in the Sources section.

LMC6062 Instrumentation Amplifier

LM6218 High-Speed Instrumentation Amplifier

LMC6062 INSTRUMENTATION AMPLIFIER

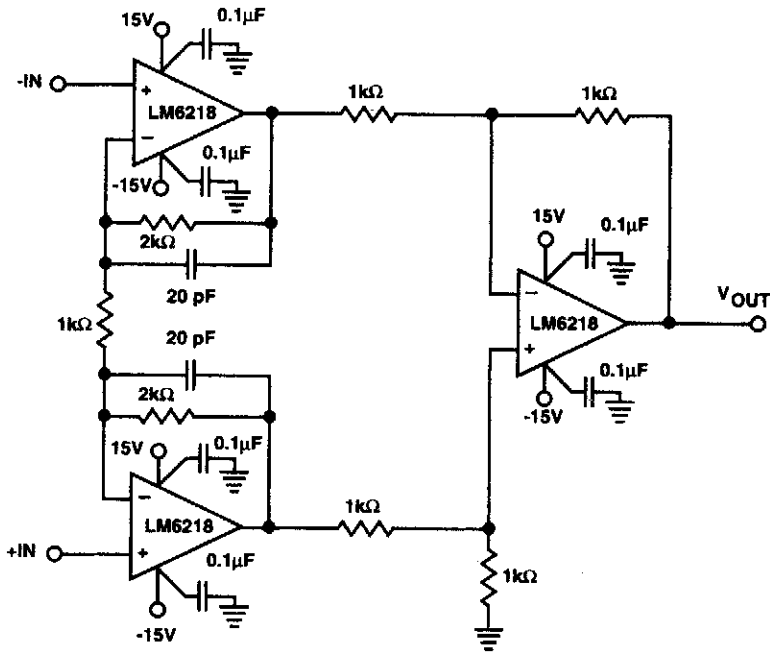


NATIONAL SEMICONDUCTOR

FIG. 41-1

Useful for +5-V single-supply applications, this op amp circuit features low drain (around 1 mA), high input resistance ($10^{14} \Omega$), and low bias current ($\approx 10^{-14}A$).

LM6218 HIGH-SPEED INSTRUMENTATION AMPLIFIER



NATIONAL SEMICONDUCTOR

FIG. 41-2

This amplifier features 400-μsec settling time (to 0.01%), 140-V/μsec slow rate, and 17-MHz gain-bandwidth product. The supply voltage can be ±5 to ±20 V.

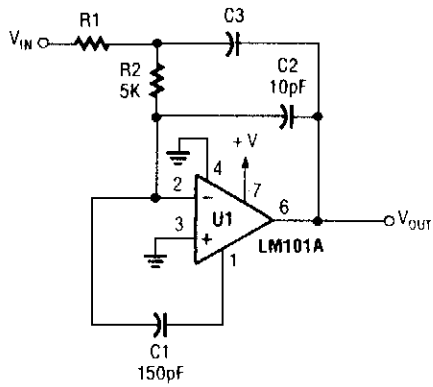
42

Integrator Circuit

The source of the following circuit is contained in the Sources section, which begins on page 675. The figure number in the box of the circuit correlates to the entry in the Sources section.

Fast Integrator

FAST INTEGRATOR



V_{OUT} is the integral of V_{IN} in this circuit.

$$\frac{V_{OUT}}{V_{IN}} \approx \frac{1}{C_3} \frac{V_{IN}(A)}{R} dt.$$

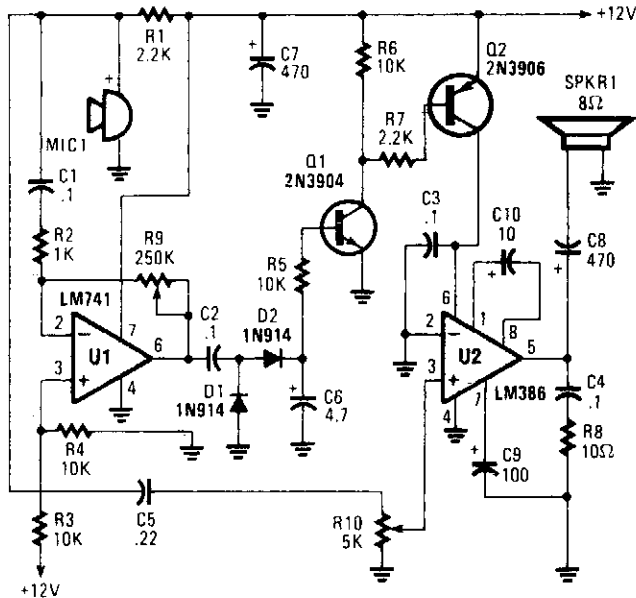
43

Intercom Circuits

The sources of the following circuits are contained in the Sources section, which begins on page 675. The figure number in the box of each circuit correlates to the entry in the Sources section.

One-Way Voice-Activated Intercom
Very Simple Telephone Intercom Circuit
Telephone Intercom

ONE-WAY VOICE-ACTIVATED INTERCOM

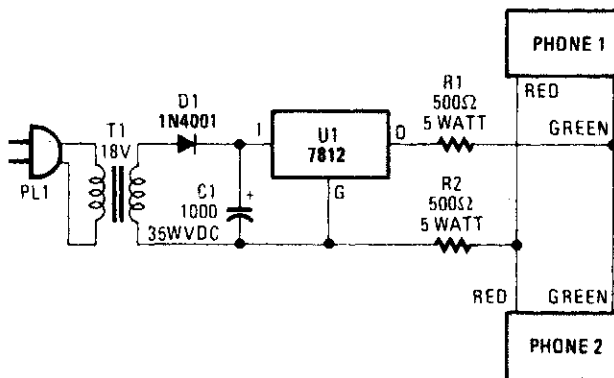


POPULAR ELECTRONICS

FIG. 43-1

An omnidirectional electret microphone can be used to pick up the sound and convert it into an electrical signal. The output of the microphone is fed along two paths. In the first path, the signal is sent to the inverting input at pin 6. In the second path, the microphone signal is fed to the non-inverting input of U2, where it is amplified and output to the speaker, SPKR1.

VERY SIMPLE TELEPHONE INTERCOM CIRCUIT

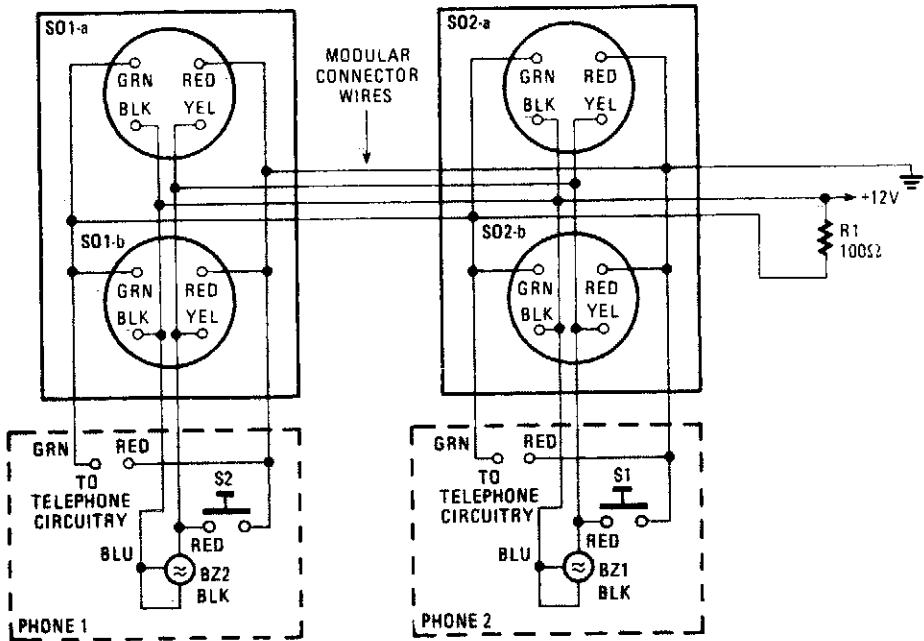


POPULAR ELECTRONICS

FIG. 43-2

Two telephones can be used as an intercom by using this circuit. Older style rotary phones that are nonelectronic might work best in this application. Also, handsets only might be powered this way.

TELEPHONE INTERCOM



POPULAR ELECTRONICS

FIG. 43-3

An intercom using dual-modular wall jacks is shown in this circuit. If the wires are available in the home telephone cable, this system can be installed with little trouble.

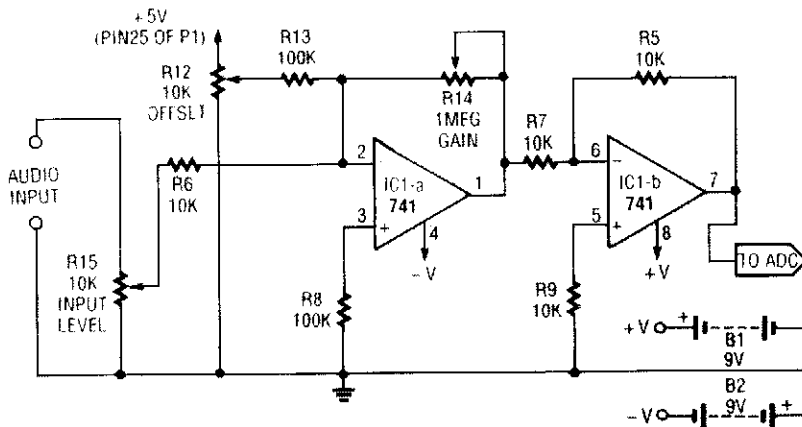
44

Interface Circuits

The sources of the following circuits are contained in the Sources section, which begins on page 675. The figure number in the box of each circuit correlates to the entry in the Sources section.

Audio-to-ADC Interface
Process-Control Interface
Relay Interface for Amateur Radio Transceivers
Receiver Interface Circuit for Preamps
Microcomputer-to-Triac Interface

AUDIO-TO-ADC INTERFACE

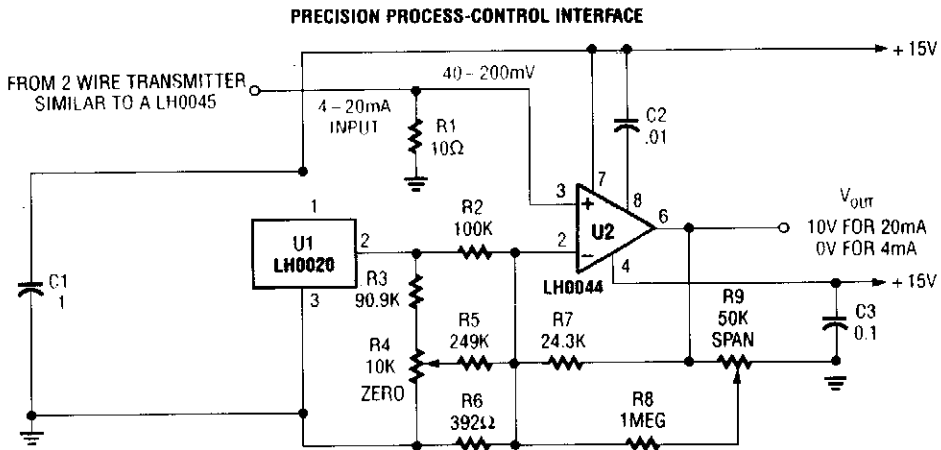


RADIO-ELECTRONICS

FIG. 44-1

This simple general-purpose driver for an analog/digital converter uses two 741 IC devices with adjustable gain and offset. Other op amps might be substituted, but some circuit adjustments might be needed.

PROCESS-CONTROL INTERFACE

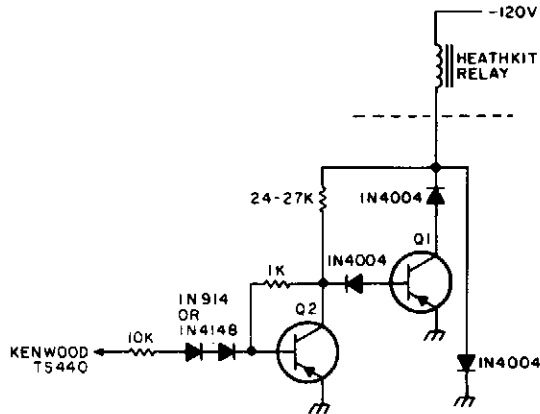


POPULAR ELECTRONICS

FIG. 44-2

This circuit can be used to interface a 2-wire transmitter/sensor combination to an external device or measurement setup.

RELAY INTERFACE FOR AMATEUR RADIO TRANSCEIVERS

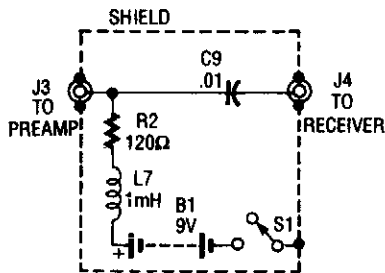


73 AMATEUR RADIO

FIG. 44-3

The relay power in the linear is obtained from the -120-V bias supply, and the transmit keying output from the Kenwood is +12 V at 10 mA maximum. The key ingredient in the circuit is the pnp driver transistor, which must be capable of handling at least 150 V at about 250 mA.

RECEIVER-INTERFACE CIRCUIT FOR PREAMPS

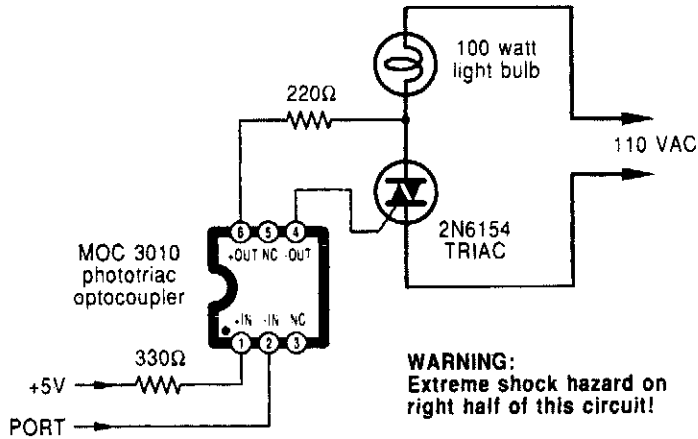


POPULAR ELECTRONICS

FIG. 44-4

The purpose of the receiver/interface circuit is to pass RF to the receiver through capacitor C9, while adding dc power to the feedline through R2 and RF choke L7.

MICROCOMPUTER-TO-TRIAC INTERFACE



RADIO-ELECTRONICS

FIG. 44-5

A microcomputer-to-triac interface uses a phototriac optoisolator to let safety-isolated logic signals directly control high-power loads. Depending on the input waveforms and the load, this circuit can be used in either an on/off switch or a proportional phase control. A low input powers the lamp.

45

Inverter Circuits

The sources of the following circuits are contained in the Sources section, which begins on page 675. The figure number in the box of each circuit correlates to the entry in the Sources section.

250-W Inverter

Digital Inverter

dc-to-ac Inverter

Power MOSFET Inverter

250-W INVERTER

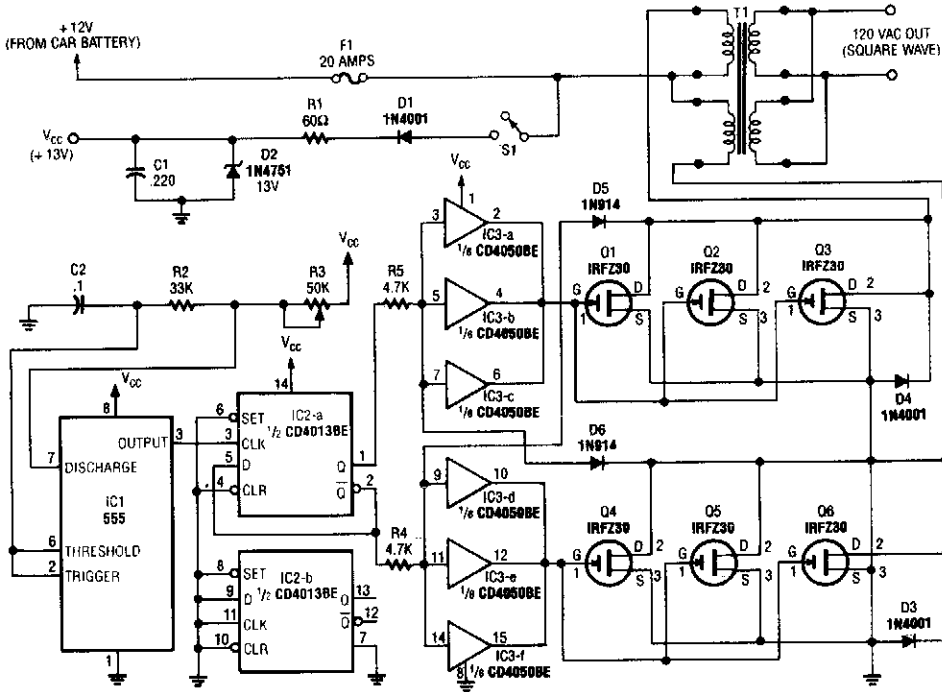
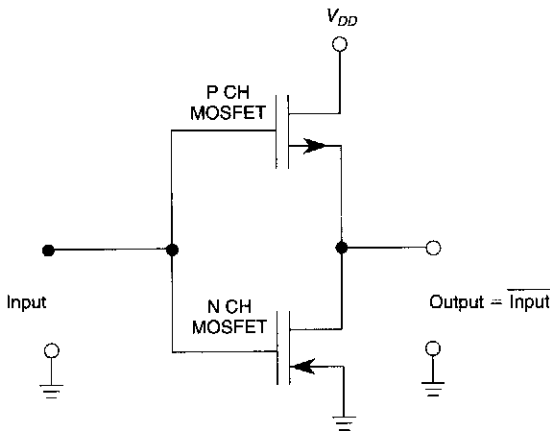


FIG. 45-1

ELECTRONICS NOW

A 555 timer (IC1) generates a 120-Hz signal that is fed to a CD4013BE flip-flop (IC1-a), which divides the input frequency by two to generate a 60-Hz clocking frequency for the FET array (Q1 through Q6). Transformer T1 is a 12-/24-V center-tapped 60-Hz transformer of suitable size.

DIGITAL INVERTER

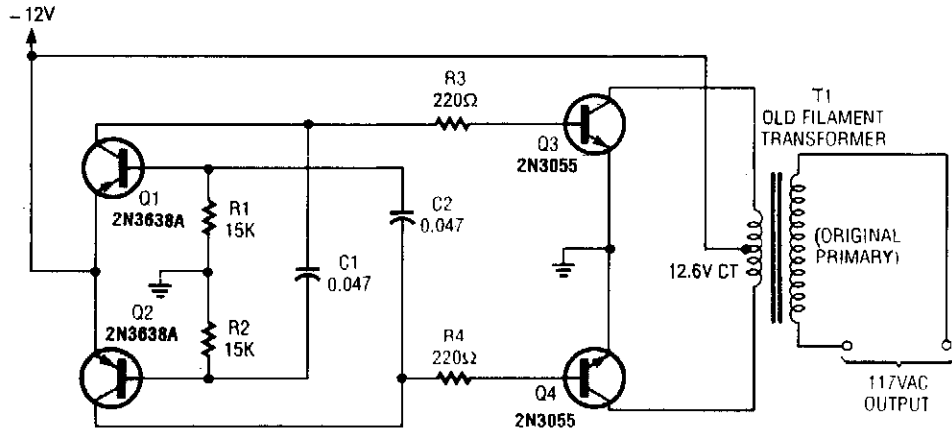


A CMOS digital inverter is formed by connecting two MOSFETS, as shown.

WILLIAM SHEETS

FIG. 45-2

dc-to-ac INVERTER

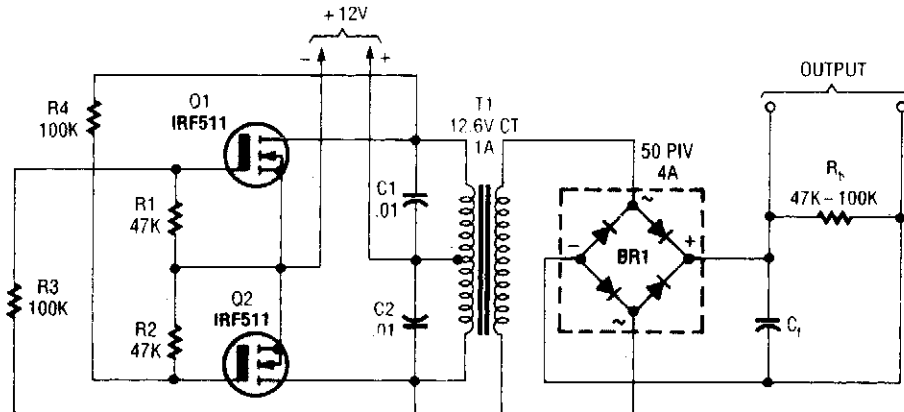


POPULAR ELECTRONICS

FIG. 45-3

A multivibrator circuit drives a pair of 2N3055 power transistors. T1 is a 12.6-V CT filament transformer with a 120-V primary.

POWER MOSFET INVERTER



POPULAR ELECTRONICS

FIG. 45-4

T1 is a suitable transformer for the voltage desired, with a 12.6-V CT winding.

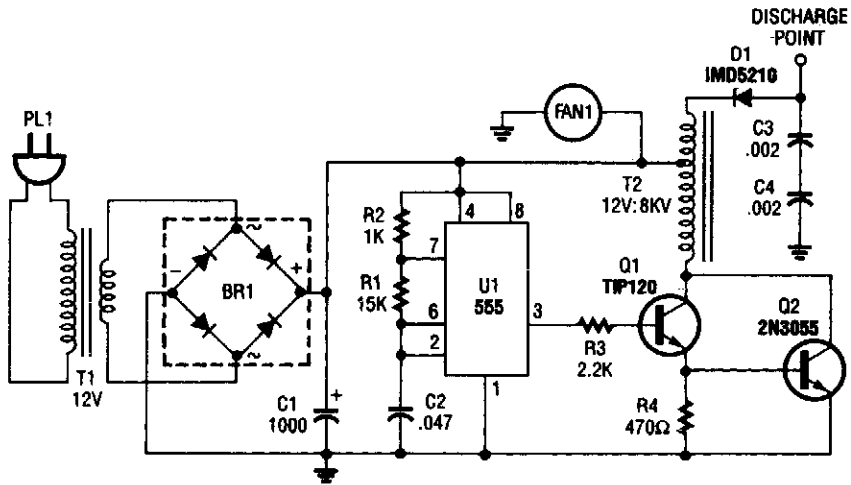
46

Ion Generator Circuit

The source of the following circuit is contained in the Sources section, which begins on page 675. The figure number in the box of the circuit correlates to the entry in the Sources section.

Negative Ion Generator

NEGATIVE ION GENERATOR



1993 ELECTRONICS HOBBYIST HANDBOOK

FIG. 46-1

This oscillator-driver induces a high voltage in the windings of T2.

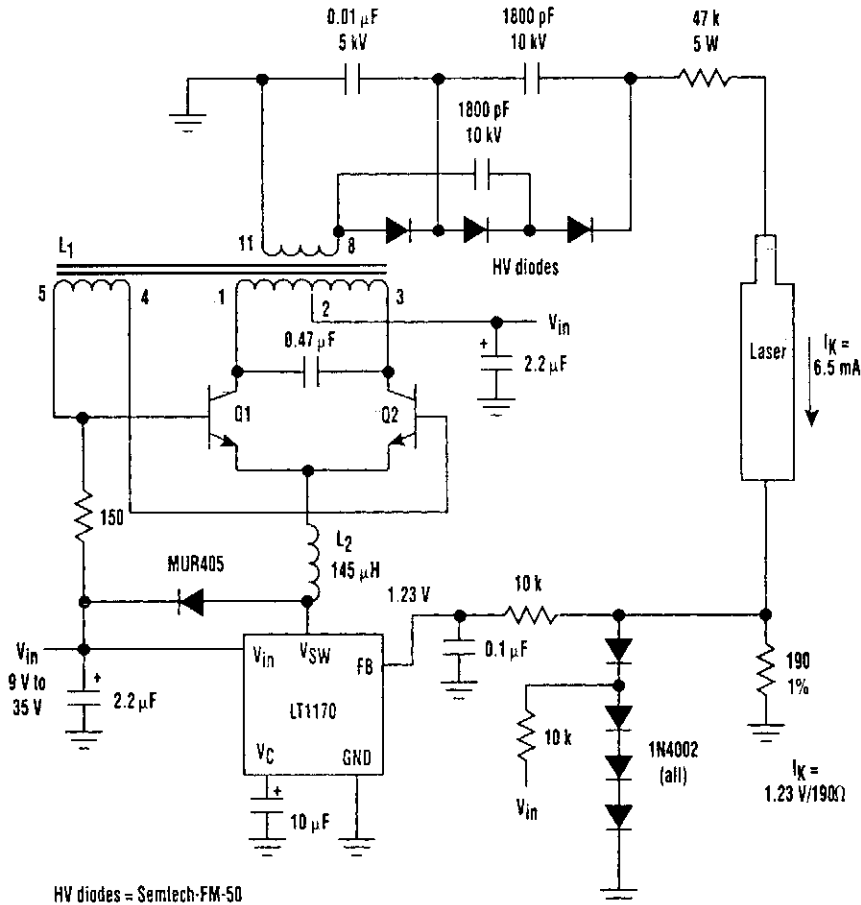
47

Laser Circuits

The sources of the following circuits are contained in the Sources section, which begins on page 675. The figure number in the box of each circuit correlates to the entry in the Sources section.

Efficient Laser Supply
Laser Power Supply and Starting Circuit
Handheld Laser
High-Voltage Power Supply
Fantastic Simulated Laser
Laser Power Supply

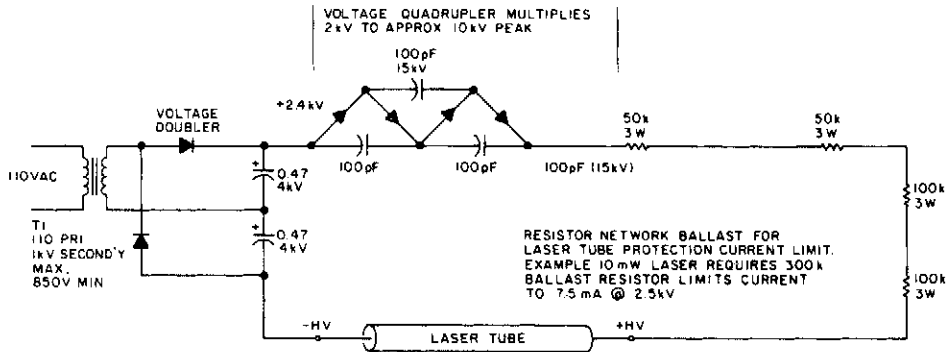
EFFICIENT LASER SUPPLY



- HV diodes = Semtech-FM-50
- 0.47 μ F = Wima (Mannheim, Germany) 3 X 0.15 μ F, type MKP-20
- Q1, Q2 = Zetex ZTX-849
- L1 = Coiltronics CTX0211128-2
- L2 = Pulse Engineering PE-92105
- Laser = Hughes 3121 H-P, 6.5- mA beam current

Driving Helium-Neon Lasers can be simplified considerably using this power-supply configuration. When power is applied, the laser doesn't conduct and the voltage across the 190- Ω resistor is zero. However, a resonant circuit and a voltage tripler then produces over 10 kV to turn on the laser.

LASER POWER SUPPLY AND STARTING CIRCUIT

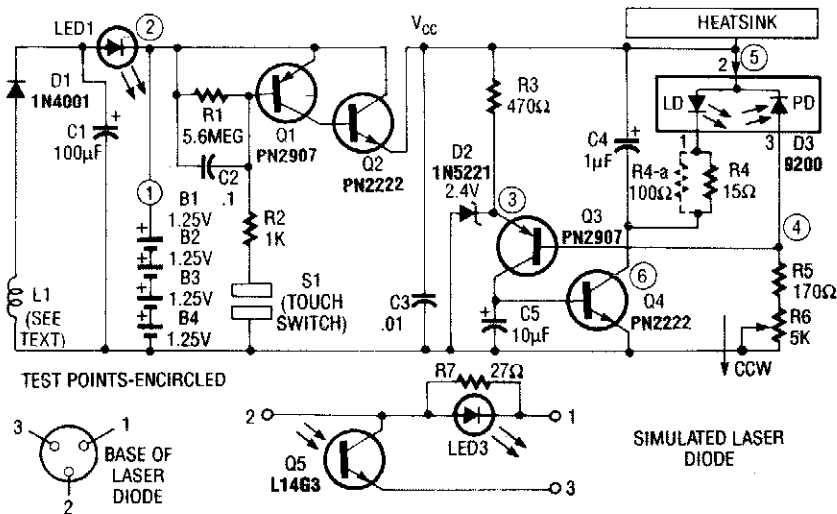


73 AMATEUR RADIO TODAY

FIG. 47-2

This circuit delivers 10 kV peak, then limits current to 7.5 mA @ 2 kV. The resistors shown provide ballasting. The starting circuit cannot maintain the 10 kV under load and appears as a series-pass circuit with little drop in voltage.

HANDHELD LASER

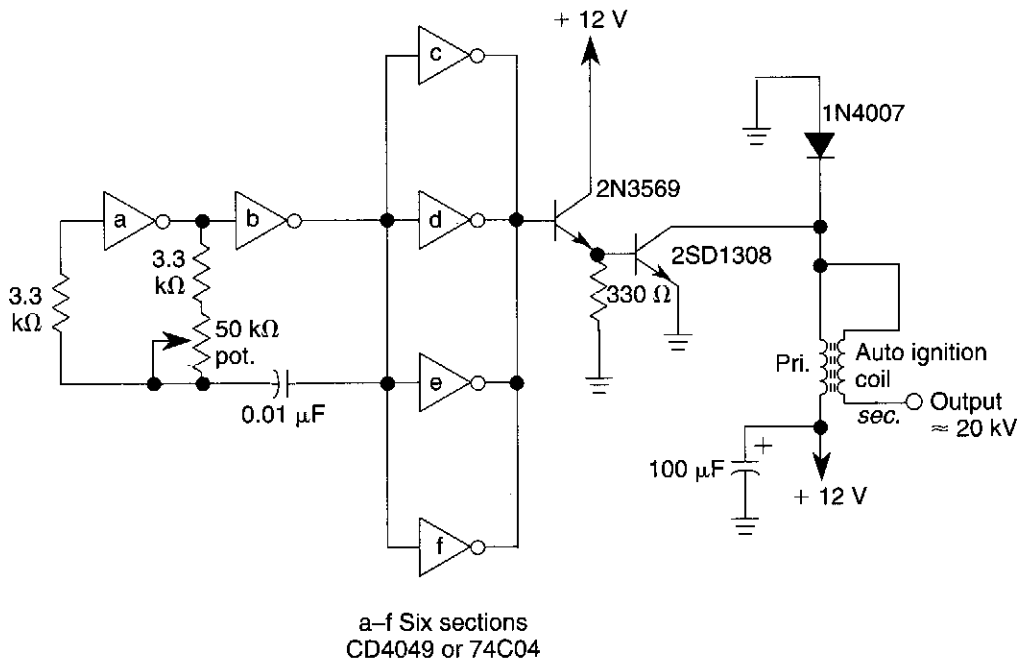


1992 R-E EXPERIMENTERS HANDBOOK

FIG. 47-3

A laser diode TOLD9200 (Toshiba) is used as a source of laser light. Q3, Q2, and S1 form a touch switch to control the laser. L1 is an RF pickup coil to pick up energy from an RF-type battery charger. It is 10 turns of #18 wire on a 1/2" diameter.

HIGH-VOLTAGE POWER SUPPLY

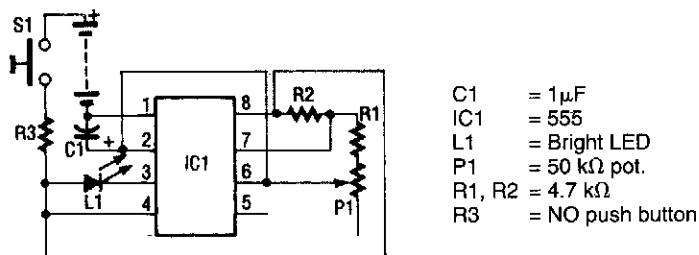


WILLIAM SHEETS

FIG. 47-4

The high-voltage power supply is a CMOS-based oscillator that pulses a high-voltage ignition transformer. The transformer output is around 20 kV.

FANTASTIC SIMULATED LASER

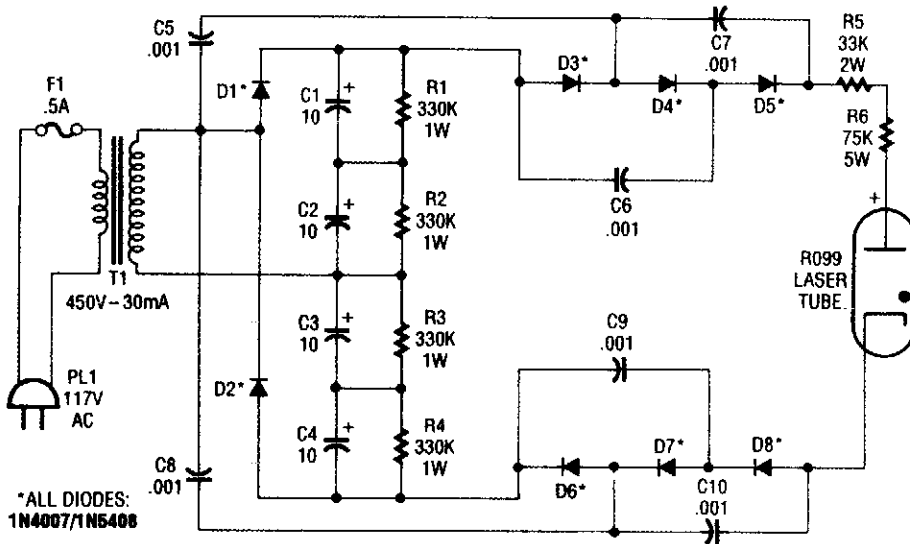


1991 PE HOBBYIST HANDBOOK

FIG. 47-5

The circuit uses a 555 timer IC to power an ultrabright LED. The output is a pulsing red light that can be projected using lenses. An ultrabright Stanley LED, capable of 300-millicandle output, is tied to pin 3 of the 555 timer IC. That IC has been configured as an astable multivibrator. The frequency of this multivibrator is controlled by R1, R2, C1, and P1. You can vary the frequency by adjusting P1, which changes the output from a slow blinking to a fast pulsating light. Resistor R3 is used to limit the current flowing into the circuit to a safe value, to prevent the LED and the IC from burning out. Switch S1 applies power to the circuit when its button is pressed.

LASER POWER SUPPLY



POPULAR ELECTRONICS

FIG. 47-6

This supply generates an initial high voltage for ignition purposes. After ignition, the supply generates about 1300 to 1500 V. If a higher ignition voltage (than the 6000 V supplied) is necessary, more multiplier stages can be added to D5 and D8.

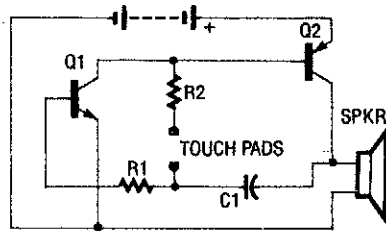
48

Lie Detector Circuit

The source of the following circuit is contained in the Sources section, which begins on page 675. The figure number in the box of the circuit correlates to the entry in the Sources section.

Simple Lie Detector

SIMPLE LIE DETECTOR



1991 PE HOBBYIST HANDBOOK

FIG. 48-1

The circuit uses a two-transistor direct-coupled oscillator that has a frequency determined by C1, R2, and the (skin) resistance across the touch pads. Since C1 and R2 are fixed values, only the skin resistance across the touch pads can vary the sound of the oscillator. To sustain oscillations, C1 feeds a portion of the output from Q2 back to the input of Q1 through resistor R1.

Transistor Q1 is an npn type and transistor Q2 is a pnp type. The output of Q2 is fed into a small speaker. The circuit relies on the fact that the human skin conducts electricity.

C1	0.01- μ F Capacitor
Q1	2N3904 Transistor
Q2	2N3906 Transistor
R1	4.7 k Ω Resistor
R2	82 k Ω Resistor

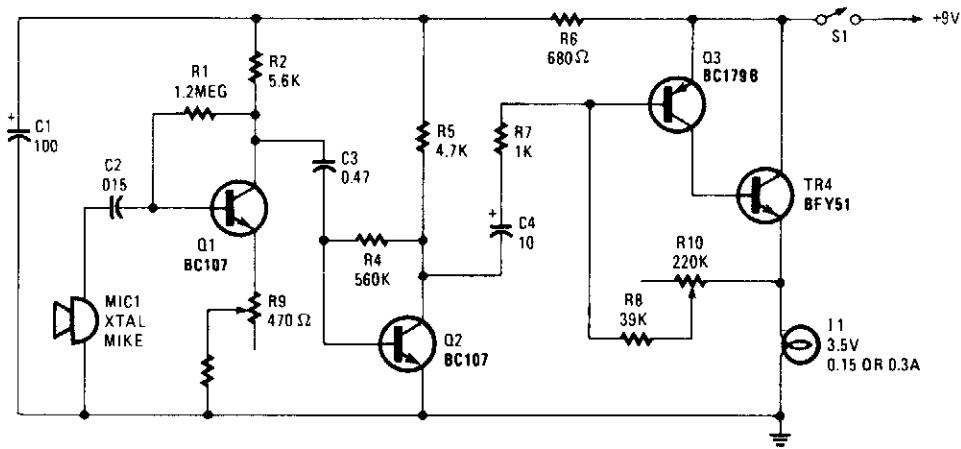
49

Light Beam Communication Circuits

The sources of the following circuits are contained in the Sources section, which begins on page 675. The figure number in the box of each circuit correlates to the entry in the Sources section.

Modulated Light Transmitter
Modulated Light Receiver
FM Light-Beam Receiver
FM Light-Beam Transmitter
Light-Wave Voice-Communication Transmitter
Light-Wave Voice-Communication Receiver
Visible-Light Audio Transmitter
Visible-Light Receiver

MODULATED LIGHT TRANSMITTER

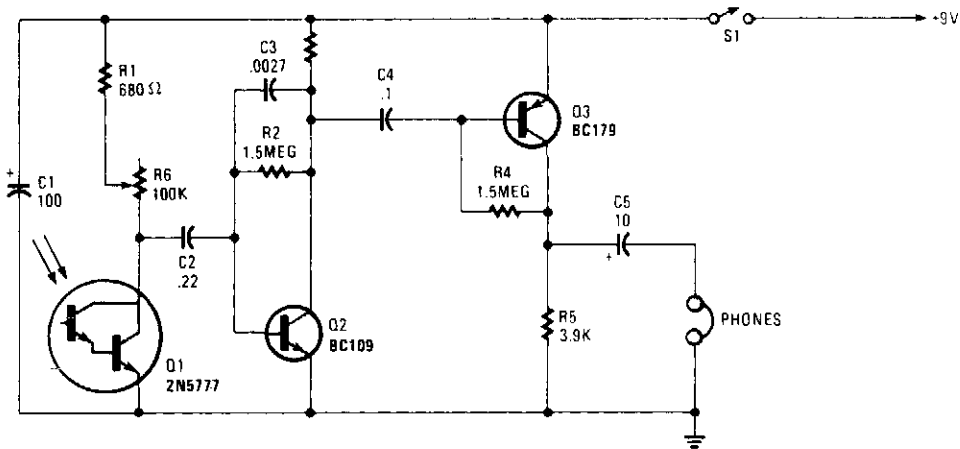


POPULAR ELECTRONICS

FIG. 49-1

A light-bulb filament can be modulated with audio as a method of optical transmission. Amplifier Q1/Q2/Q3 drives emitter-follower TR4. Adjust R10 for the Q point (light bulb) giving best results. It should have a filament with low thermal inertia for best audio responses.

MODULATED LIGHT RECEIVER

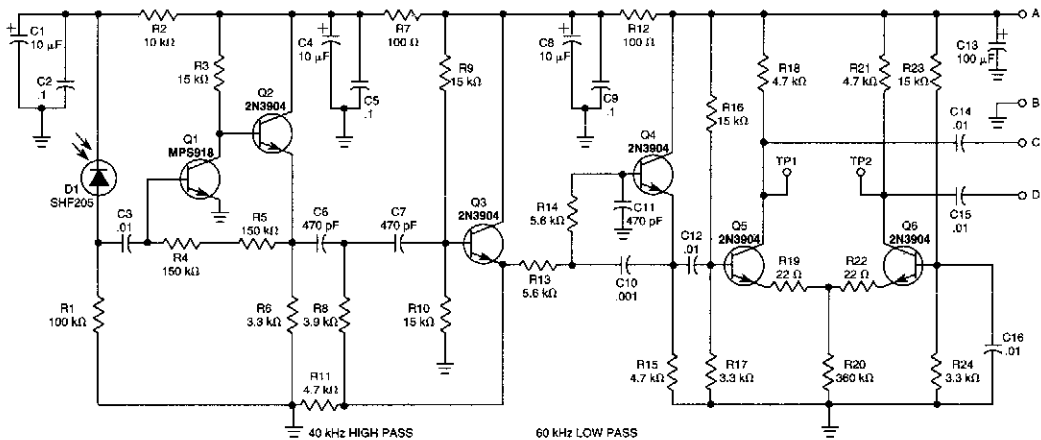


POPULAR ELECTRONICS

FIG. 49-2

Using a phototransistor, this receiver will detect and demodulate a modulated light beam. R6 affects sensitivity.

FM LIGHT BEAM RECEIVER

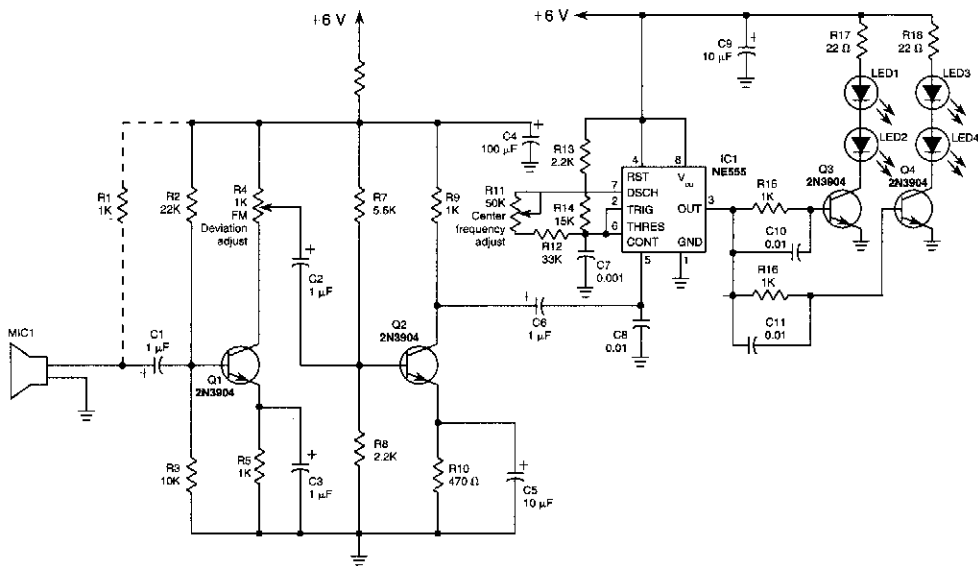


ELECTRONICS NOW

FIG. 49-3

This receiver will pick up IR or light beams that are frequency modulated on a 50-kHz carrier. Q2/Q1/Q3/Q4 from an active filter and amplifier and differential amp Q5/Q6 provide more gain.

FM LIGHT-BEAM TRANSMITTER

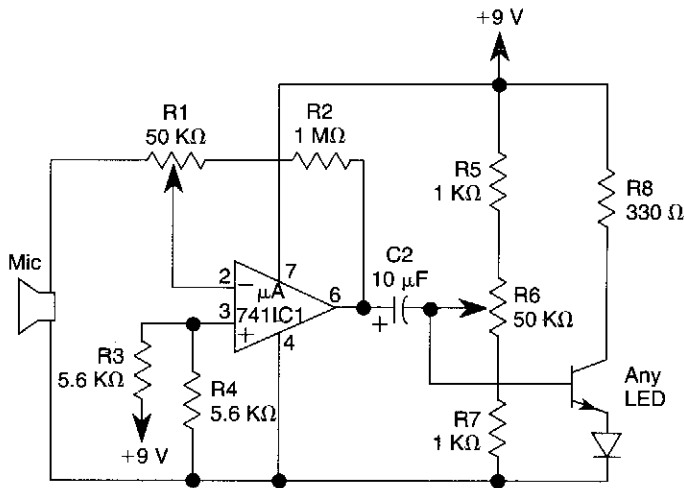


ELECTRONICS NOW

FIG. 49-4

This transmitter uses two-stage amplifier Q1/Q2 to frequency modulate an NE555 (configured as a VCO) operating at about 50 kHz. The resultant FM-modulated pulse train is converted to light pulses via LED1 through LED4, driven by Q3 and Q4.

LIGHT-WAVE VOICE-COMMUNICATION TRANSMITTER

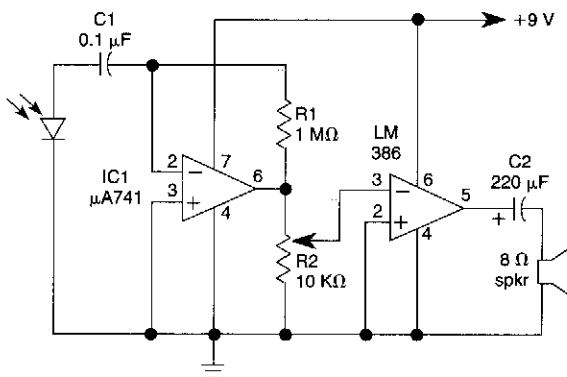


WILLIAM SHEETS

FIG. 49-5

This transmitter uses a 741 op amp as a high-gain audio amplifier, which is driven by a microphone. The output of the 741 is coupled to Q1, which serves as the driver for a LED. Potentiometer R1 is the amplifier's gain control. Miniature trimmer resistor R6 permits adjustment of the base bias of Q1 for best transmitter performance. Gain control R1 can be eliminated if C1 and R2 are connected directly to pin 2 of the 741. For maximum sensitivity, increase the value of R₂ from 1 to 10 MΩ and use a crystal microphone with a large diaphragm.

LIGHT-WAVE VOICE-COMMUNICATION RECEIVER

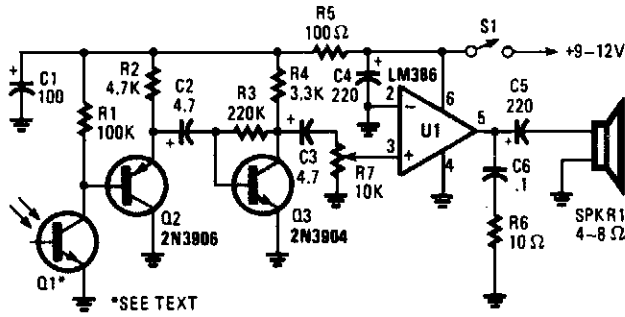


WILLIAM SHEETS

FIG. 49-6

This light-wave receiver consists of a 741 operated as a preamplifier and an LM386 operated as a power amplifier. Potentiometer R2 is the gain control. Various kinds of detectors can be used as the front end of the receiver. Phototransistors are very sensitive, but they do not work well in the presence of too much ambient light. A 100-kΩ series resistor is required if you use a phototransistor. Solar cells, photodiodes, and LEDs of the same semiconductor as the transmitter all work well in this circuit.

VISIBLE-LIGHT RECEIVER

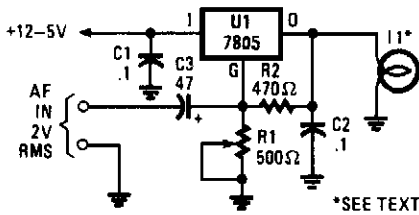


POPULAR ELECTRONICS

FIG. 49-7

This receiver for amplitude-modulated light signals uses phototransistor Q1 mounted in a parabolic reflector (to increase range). Any npn phototransistor should work. Emitter-follower Q2 drives amplifier Q3. The output from Q3 feeds volume control R7 and audio amplifier U1. A 9- to 12-V supply is recommended for the receiver.

VISIBLE-LIGHT AUDIO TRANSMITTER



POPULAR ELECTRONICS

FIG. 49-8

In the visible-light transmitter, a 7805 voltage regulator is connected in a variable-voltage configuration, and an audio signal is fed to the common input, to modulate the output voltage. The modulated output voltage is used to transmit intelligence via an incandescent lamp.

50

Light Control Circuits

The sources of the following circuits are contained in the Sources section, which begins on page 675. The figure number in the box of each circuit correlates to the entry in the Sources section.

Light Sequencer

Holiday Light Sequencer

Automatic Porch-Light Control

Dimmer for Low Voltage Loads

Three-Power-Level Triac Controller

Phase-Controlled Dimmer

120-ac Shimmering Light

Simple Triac Circuit

Running Light Sequencer

MOS Lamp Driver

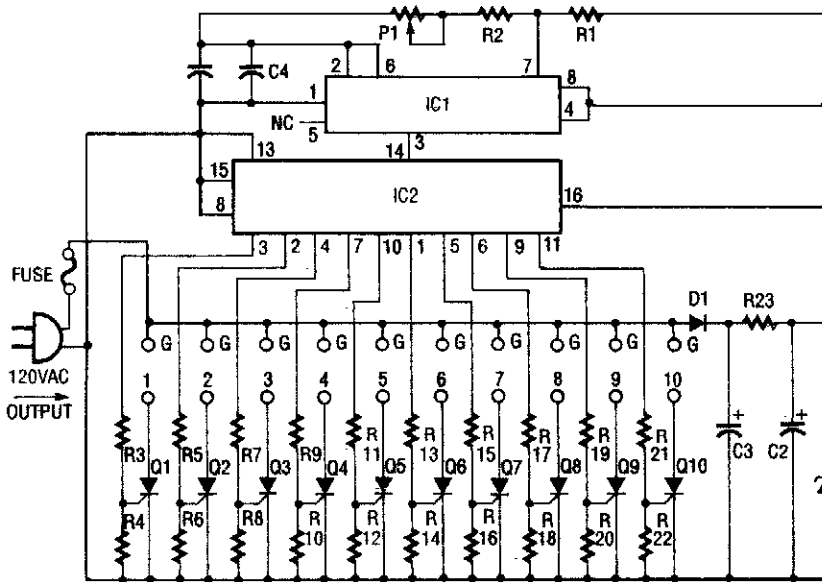
CMOS Touch Dimmer

Neon Lamp Driver for 9-V Supplies

Sensitive Triac Controller

Halogen Lamp Protector

LIGHT SEQUENCER



1991 PE HOBBYIST HANDBOOK

FIG. 50-1

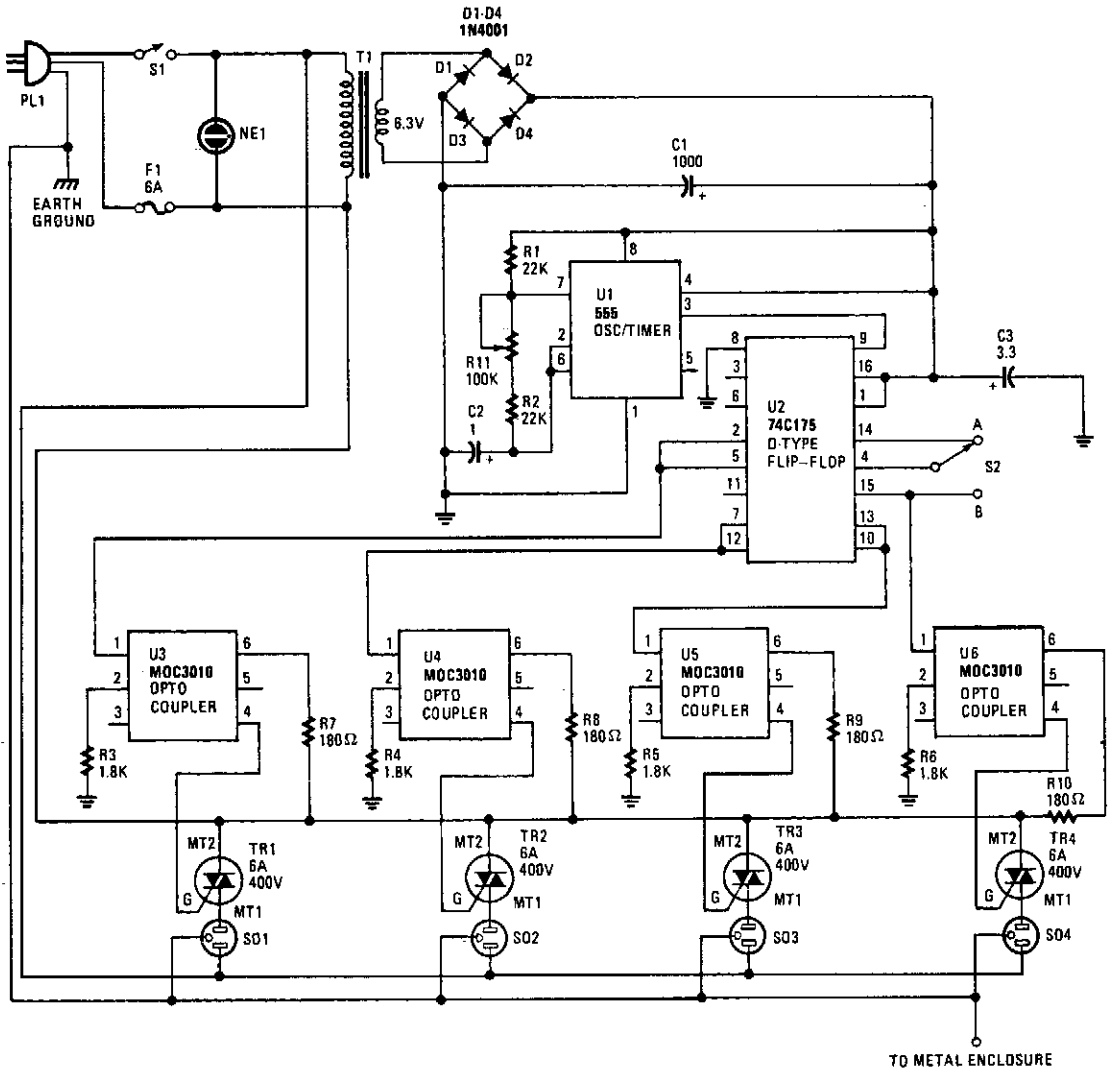
The light sequencer uses two ICs and 10 SCRs to create an ac sequencer. The first IC, a 555 timer, is used to provide clock pulses for IC2. The IC is configured as an astable multivibrator, and its output is on pin 3.

Capacitors C1 and C4, along with resistor R2 and potentiometer P1, control the frequency of the pulses. IC2 is a 4017 Johnson counter, which shifts a high-signal level to each one of its 10 output pins in sequence. Each output pin is resistively coupled to the gate lead on an SCR. When the respective output pin on the 4017 is high and the positive half of the ac cycle is on the anode lead of the SCR, it turns on. The lamp that is connected to its anode lights.

Power is brought into the PC board by the line cord, then the circuit is fuse-protected. Diode D1 changes the ac to pulsating, which is smoothed by C2 and C3. R23 limits the current, and zener diode D2 limits the dc voltage to 6 Vdc.

IC1, C4	0.1- μ F Capacitor	R2, R4, R6,	
C2	100- μ F Capacitor	R8, R10, R12,	
C3	47- μ F, 350-V Electrolytic Capacitor	R14, R16, R18	
D1	1N4007 Diode	R20, R22	100-k Ω Resistor
D2	6-V Zener (M747814)	R3, R5, R7	
IC1	555 Timer IC	R9, R11, R13	
IC2	4017 CMOS IC	R15, R17, R19	
P1	500-k Ω Potentiometer	R21	2.2-k Ω Resistor
Q1-Q10	106 SCR	R23	15-k Ω 7-W Resistor
R1	560- Ω Resistor		

HOLIDAY LIGHT SEQUENCER



HOLIDAY LIGHT SEQUENCER (*Cont.*)

Integrated circuit U1 (a 555 oscillator/timer) is wired as a conventional pulse generator. The frequency of the pulse generator is controlled by potentiometer R11. Resistor R2 puts a reasonable limit on the highest speed attainable.

The output of the pulse generator is fed to the common clock input of U2, a 74C175 quad D-type flip-flop. Each flip-flop is configured so that its Q output is coupled to the D input of the subsequent flip-flop.

Information on the D input of each flip-flop is transferred to the Q (and \bar{Q}) outputs on the leading edge of each clock pulse. Switch S2 allows you to invert the information on the D input of the first flip-flop at any time during the cycle. This allows you to create a number of different sequences, which are determined by the state of the CQ output at the time of the switching.

Some of the possible sequences are:

- 1 through 4 on, 1 through 4 off;
- 1 of 4 on sequence;
- 1 of 4 off sequence;
- 2 of 4 on sequence;
- 1 and 3 on to 2 and 4 off;
- and other instances when the sequence of events is difficult to determine.

However, if S2 is switched to position B while all outputs are high or all are low (which seldom occurs), the sequence stops and the outputs remain either all on or all off. If that happens, you only need to switch back to position A for at least one pulse duration, then back to position B again.

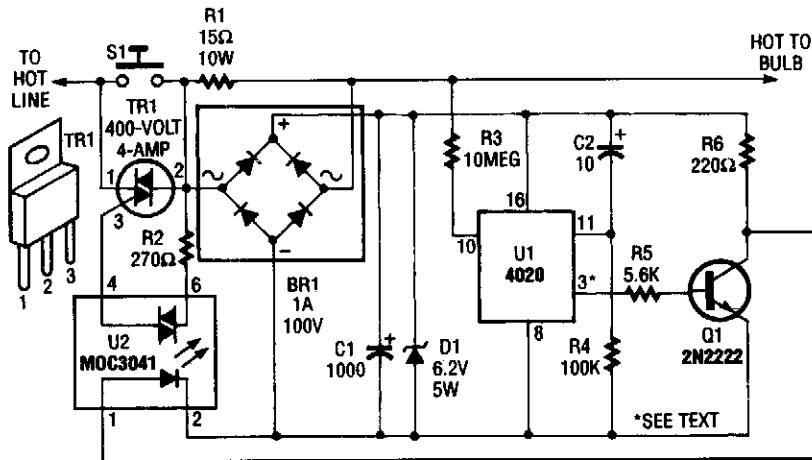
Likewise, S2 should be in position A (pin 4 connected to pin 14) each time the power is turned on. This is because the data on pin 4 must be a logic 1 in order to start a sequence; otherwise all outputs remain at logic 0, regardless of the clock pulses.

Each output of the sequencing circuit is connected to an MOC3010 optoisolator/coupler (U3 through U6), which contains an infrared-emitting diode with an infrared-sensitive diac (triac driver or trigger) in close proximity. The diac triggers the triac, which carries the 117-volts ac.

Each time that the infrared-emitting diode receives a logic 1, it turns on and causes the diac to conduct. With the optoisolator/coupler's internal diac conducting, the triac turns on, and power is supplied to whatever load is plugged into the corresponding ac socket. So, the sequencing circuit and the 117-V ac outputs are "optically coupled" and are effectively isolated from each other.

Power for the sequencing circuit is provided by a 6.3-V miniature transformer. The output of the transformer is rectified by a four-diode bridge circuit, the output of which is filtered by C1 (1000- μ F electrolytic capacitor). Capacitor C3 is added at the supply pin of U2 to suppress transients.

AUTOMATIC PORCH-LIGHT CONTROL

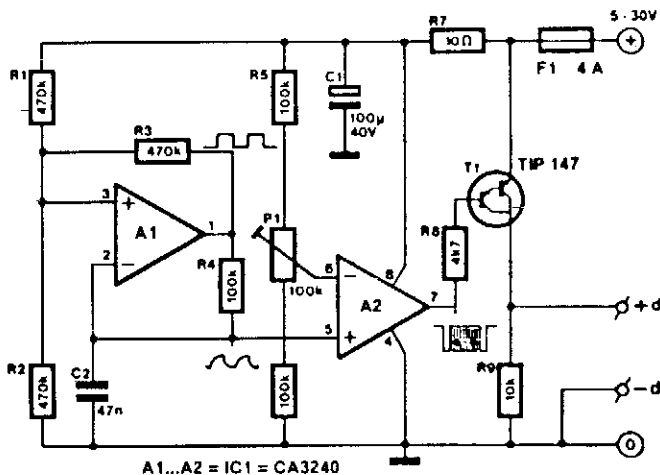


1993 ELECTRONICS HOBBYISTS HANDBOOK

FIG. 50-3

The automatic porch-light control circuit holds a triac on until a 4020 divider counts a number of 60-Hz powerline pulses. The circuit turns off a light after a predetermined time by using pins other than pin 3 of U1. Various times can be set. Consult the 4020 data sheet for information.

DIMMER FOR LOW VOLTAGE LOADS

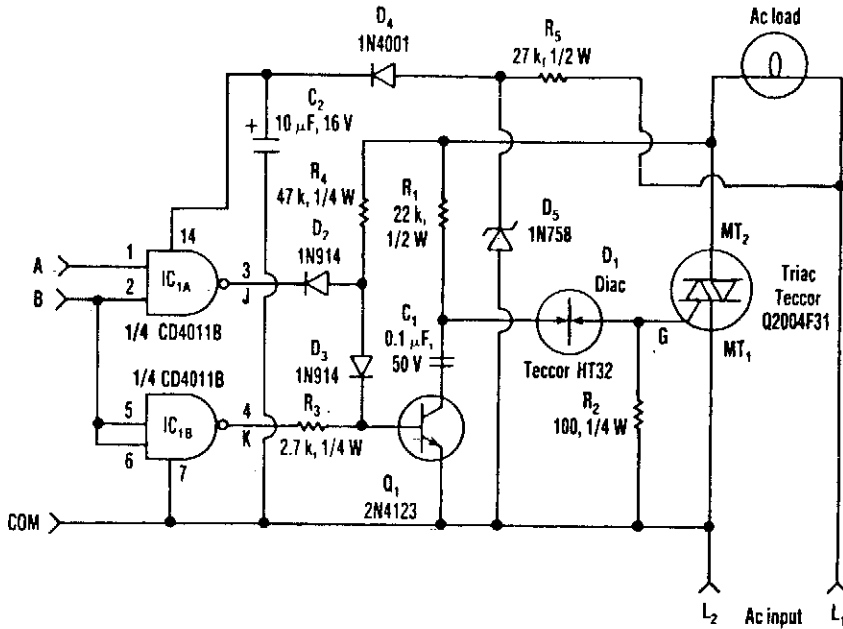


303 CIRCUITS

FIG. 50-4

This circuit controls a low voltage dc supply by pulse width modulation. The switching rate is 200-Hz. Input supply voltage should be +5 to +30 V. Up to 5 A can be controlled.

THREE-POWER-LEVEL TRIAC CONTROLLER

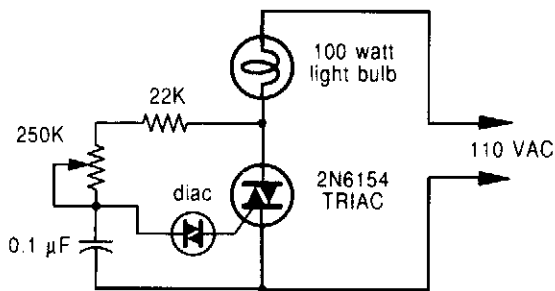


ELECTRONIC DESIGN

FIG. 50-5

Three power levels are supplied by the two logic inputs of this enhanced circuit. R5, D4, D5, and C2 form a power supply for the logic IC. They can be omitted if another source of low voltage is available.

PHASE-CONTROLLED DIMMER



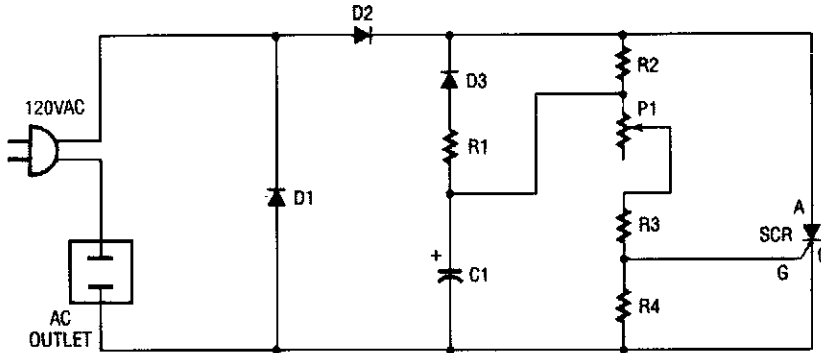
WARNING: Extreme shock hazard!

A phase-controlled dimmer delays the triac turn-on to a selected point in each successive ac half cycle. Use this circuit only for incandescent lamps, heaters, soldering irons, or "universal" motors that have brushes.

RADIO-ELECTRONICS

FIG. 50-6

120-ac SHIMMERING LIGHT



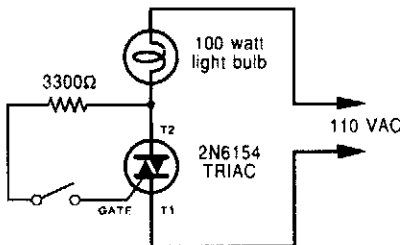
1991 PE HOBBYIST HANDBOOK

FIG. 50-7

You can turn any ordinary household bulb into one that shimmers or blinks. This circuit works on any incandescent light up to 200 W, and runs on standard 120 Vac. The circuit uses an SCR to cause an ordinary lamp to shimmer. Note that one side of the lamp is connected directly to 120 Vac, and the other side of the lamp goes to the cathode of the SCR. As ac voltage is brought into the circuit through the line cord, it is full-wave rectified by diodes D1 and D2. That changes the ac to dc, and a portion of that dc voltage is applied to capacitor C1 through R2. Diode D3 blocks the (+) dc voltage so that only the voltage from the path of R1 and D3 is clear. That forms an oscillator, which has a frequency determined by the setting of potentiometer P1 (because the other components have fixed values).

Remember to use **extreme caution** when using a device that connects to the ac line. **Never** use it outside or near water and always mount the entire kit inside a wooden or plastic (insulated) box to prevent any contact with the ac voltage.

SIMPLE TRIAC CIRCUIT



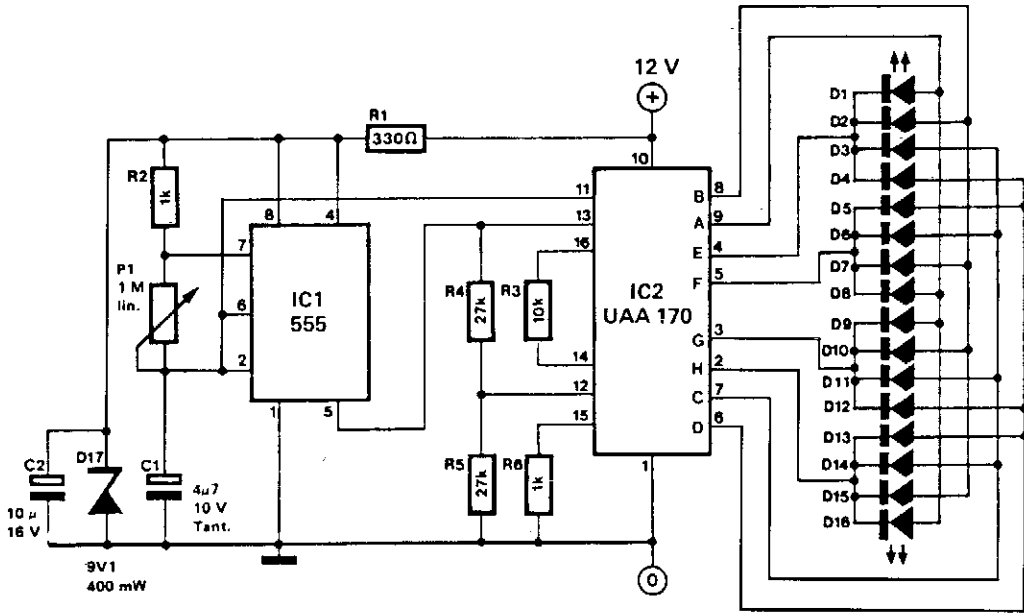
WARNING: Extreme shock hazard!

A triac can be used as a line-operated ac power switch that can directly control lamps, heaters, or motors. A brief and small current pulse into the gate turns the triac on; it remains on until the main current reverses.

RADIO-ELECTRONICS

FIG. 50-8

RUNNING LIGHT SEQUENCE

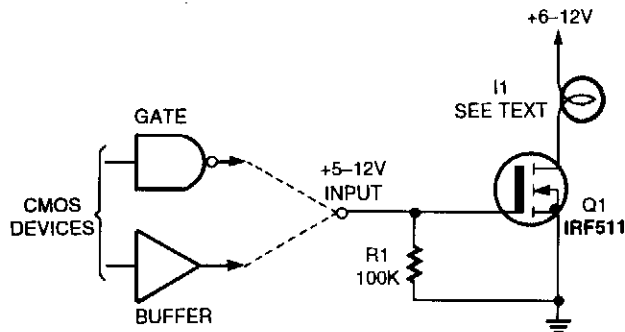


303 CIRCUITS

FIG. 50-9

This running light sequencer drives 16 LEDs and runs from a 12-V supply. C1 can be varied to alter the rate of operation.

MOS LAMP DRIVER

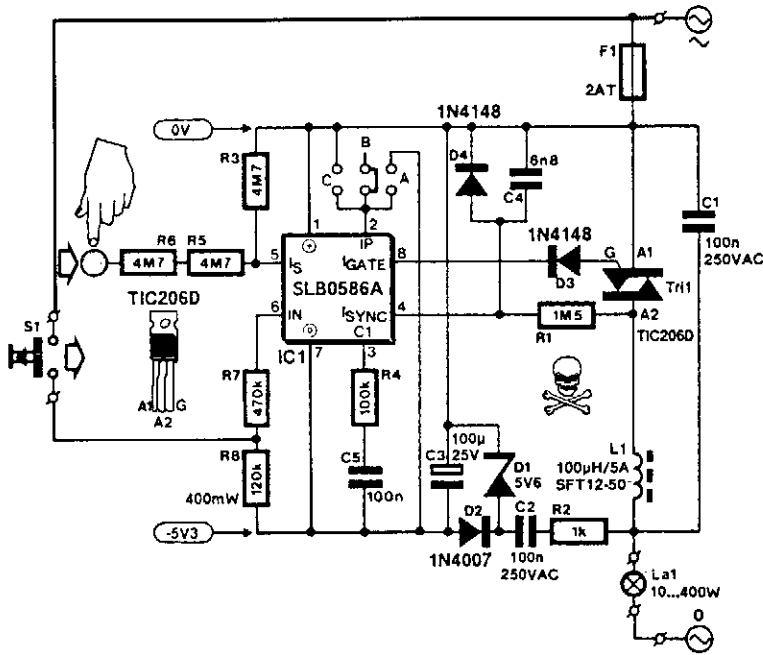


POPULAR ELECTRONICS

FIG. 50-10

The circuit shows a way of using a MOSFET as a load driver. I1 can be a lamp, or any other load, that does not exceed the current rating of Q1.

CMOS TOUCH DIMMER

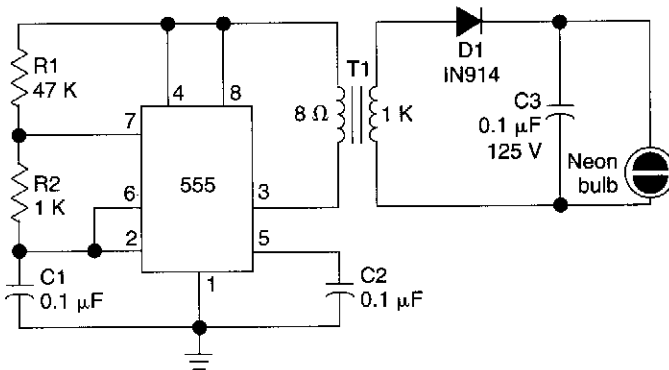


ELEKTOR ELECTRONICS

FIG. 50-11

A Siemens SLB0586A IC allows the construction of a simple touch-controlled dimmer circuit. The circuit controls a triac ac switch, which allows control of loads from 10 to 400 W.

NEON LAMP DRIVER FOR 9-V SUPPLIES

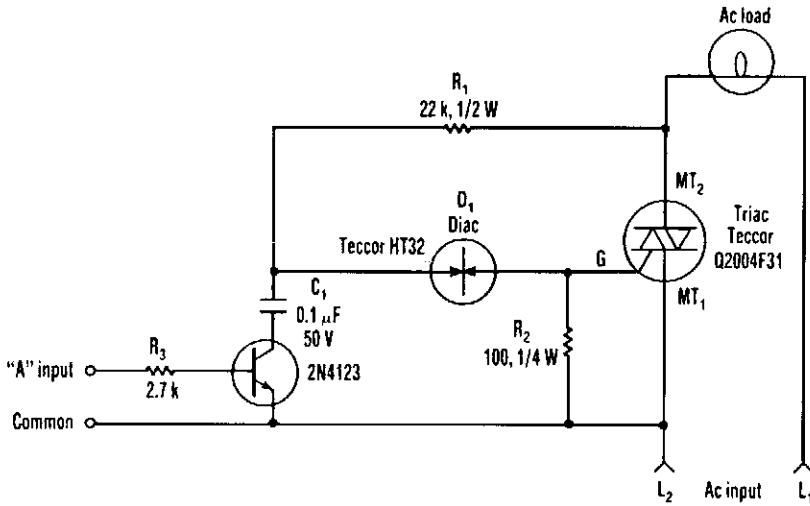


RADIO-ELECTRONICS

FIG. 50-12

This circuit is for driving a neon lamp from a 9-V supply. The 555 generates an ac signal (stepped up by T1), and lights the neon bulb. T1 is any small audio output transformer.

SENSITIVE TRIAC CONTROLLER

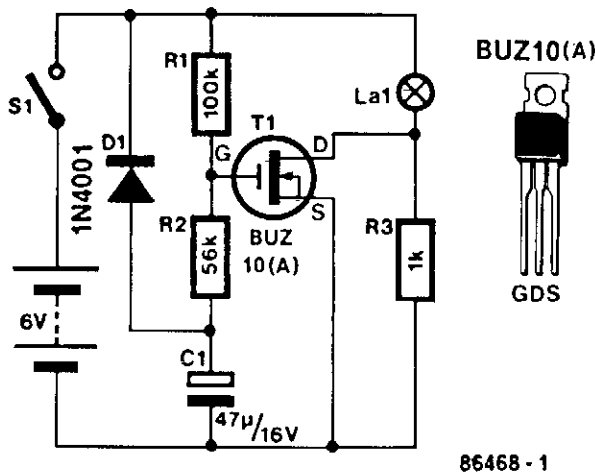


ELECTRONIC DESIGN

FIG. 50-13

The single transistor connected between the capacitor and the common side of the ac line allows a logic-level signal to control this triac power circuit. Resistor R2 prevents false triggering of the triac by the trickle current through the diac.

HALOGEN LAMP PROTECTOR



85468 - 1

303 CIRCUITS

FIG. 50-14

This circuit produces a soft turn-on for halogen lamp filaments upon powering up. MOSFET used is a BUZ10, which has $0.2 \Omega R_{DS}$. R1, R2, and C1 set the turn-on rate and D1 discharges C1 at turn-off.

51

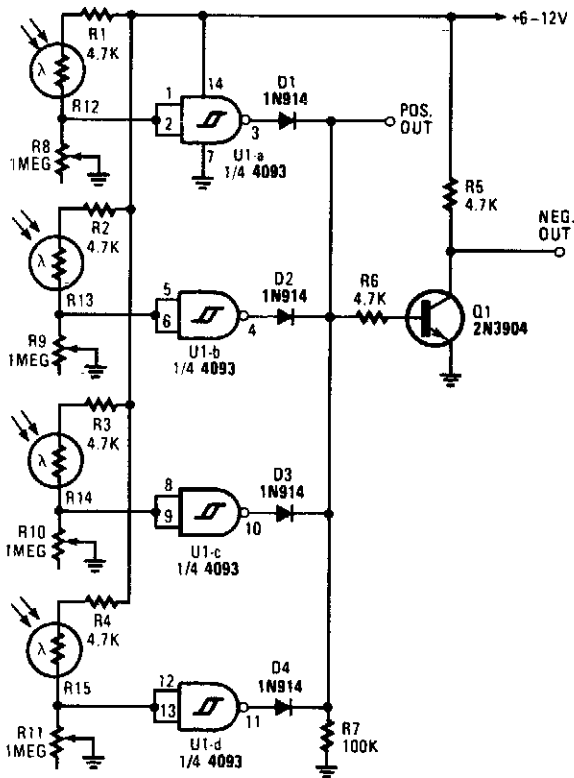
Light-Controlled Circuits

The sources of the following circuits are contained in the Sources section, which begins on page 675. The figure number in the box of each circuit correlates to the entry in the Sources section.

Light-Dependent Sensor for Multiple Inputs
Simple Light-Activated Alarm
Precision Dark-Activated Switch with Hysteresis
Combined Light-/Dark-Activated Switch
Outdoor Light Controller
Dark-Activated Relay with Hysteresis
Porch Light Control
Dark-Activated Switch

Photoelectric Sensor
Precision Light-Sensitive Relay Switch
Self-Latching Light-Activated Switch
Simple Nonlatching Photocell Switch
Light-Controlled Oscillator
Phototransistor Circuits
Dark-Activated Relay

LIGHT-DEPENDENT SENSOR FOR MULTIPLE INPUTS

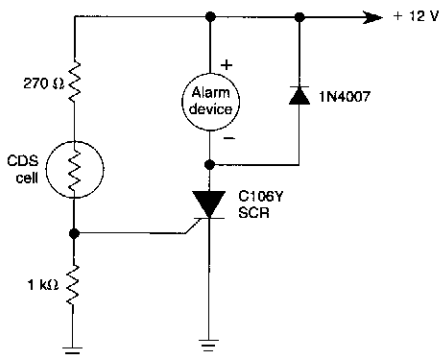


This light-dependent sensor uses LDRs to detect the presence or absence of light. As long as the light source striking the LDRs remains constant, the alarm does not sound. But when the light is interrupted, the alarm is triggered.

POPULAR ELECTRONICS

FIG. 51-1

SIMPLE LIGHT-ACTIVATED ALARM

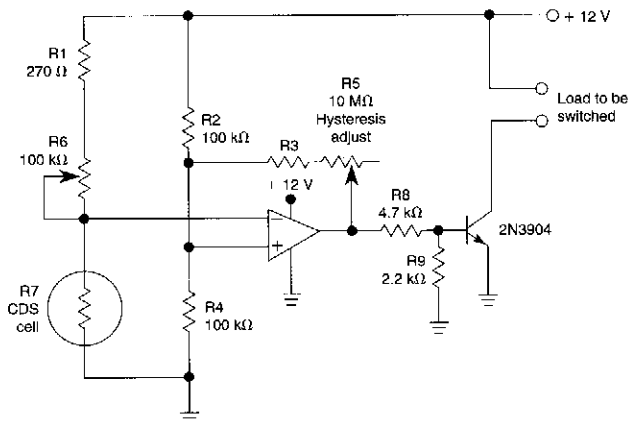


A cadmium-sulfide photocell conducts when a light beam strikes it. This triggers the SCR and activates the alarm device.

WILLIAM SHEETS

FIG. 51-2

PRECISION DARK-ACTIVATED SWITCH WITH HYSTERESIS

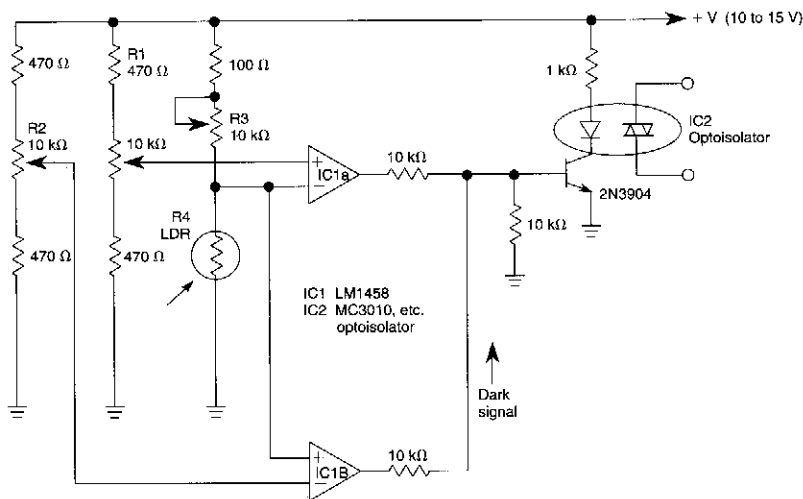


WILLIAM SHEETS

FIG. 51-3

A CdS cell is one leg of a bridge circuit. Potentiometer R6 in another leg sets the trip point. Potentiometer R5 provides hysteresis adjustment to prevent "chattering" or hunting of the relay. The light level has to increase noticeably before the 2N3904 turns off and the circuit deactivates.

COMBINED LIGHT-/DARK-ACTIVATED SWITCH



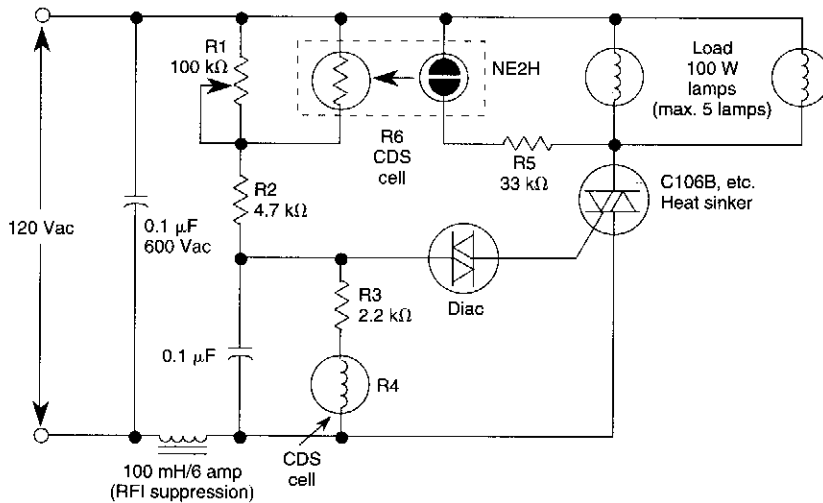
Set R4 so 1/2 of V_{CC} appears across R3.
Set R2 for dark trip point.
Set R1 for light trip point.

WILLIAM SHEETS

FIG. 51-4

Two op amps used in a bridge circuit configuration detect high and low light levels. Potentiometer R2 sets the dark level and R1 controls the light level. R3 is set so that about $\frac{1}{2}$ the supply voltage appears across R4 at the desired light level. R1 and R2 set the trip point of the optoisolator IC2 at darker or lighter ambient levels, as required.

OUTDOOR LIGHT CONTROLLER



WILLIAM SHEETS

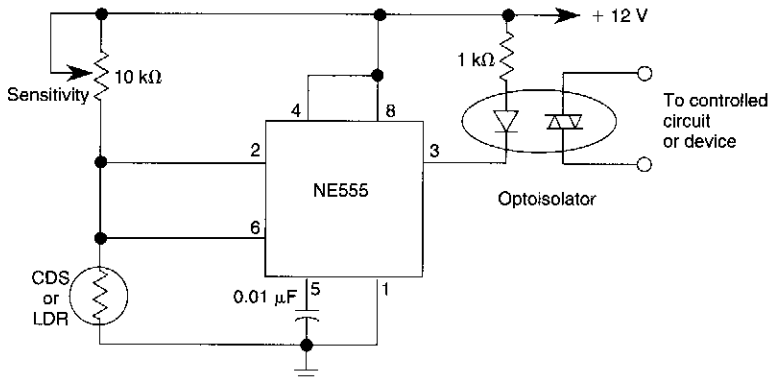
FIG. 51-5

A neon bulb and a CdS photocell enclosed in a light-tight enclosure form an optocoupler. A diac/triac combination is used to provide the snap-switch effect. A second CdS photocell acts as the main sensor.

As darkness approaches, the resistance of R4 begins to increase. At a threshold level, the diac triggers the triac and causes the neon bulb to light. This reduces the resistance of R6, causing the diac to trigger the triac, which lights the neon bulb and provides power to the load.

As morning light comes up, the process is reversed. The neon bulb goes out and the SCR turns off.

DARK-ACTIVATED RELAY WITH HYSTERESIS

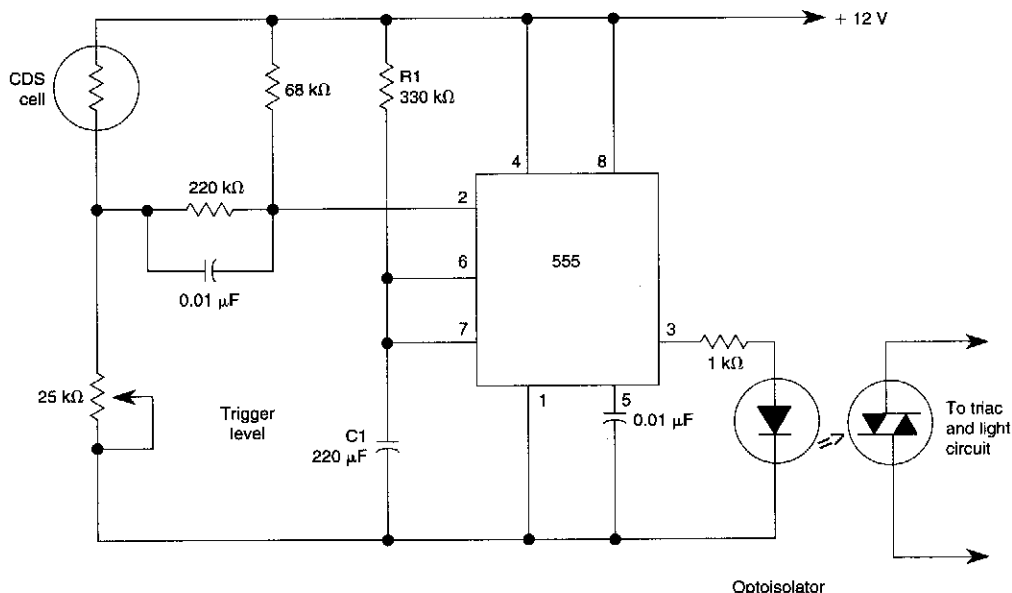


WILLIAM SHEETS

FIG. 51-6

The hysteresis of a 555 IC can be used to advantage for sensing a drop in light. An LDR or CDS cell with about 2 to 8 k resistance at desired light level should be used.

PORCH LIGHT CONTROL

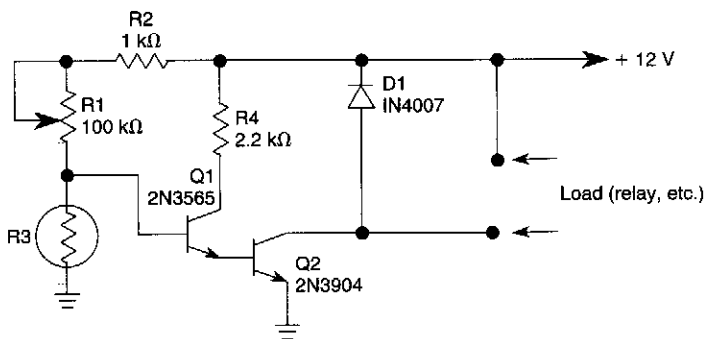


WILLIAM SHEETS

FIG. 51-7

This circuit can control the on/off cycle of a light via a CDS photocell, and turn it off after a pre-set period. The light can only be turned on when CDS cell is in darkness, and it stays on for a time determined by the 555 circuit. On time depends on R1 and C1 and is about 80 seconds with the values shown.

DARK-ACTIVATED SWITCH

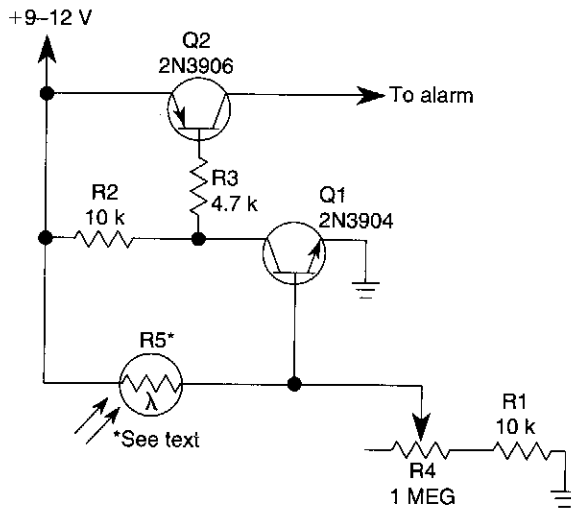


WILLIAM SHEETS

FIG. 51-8

In this circuit, lowering of the light level on the CDS cell turns on Q1 and Q2 which switches on the load which could be a relay, light, etc.

PHOTOELECTRIC SENSOR



POPULAR ELECTRONICS

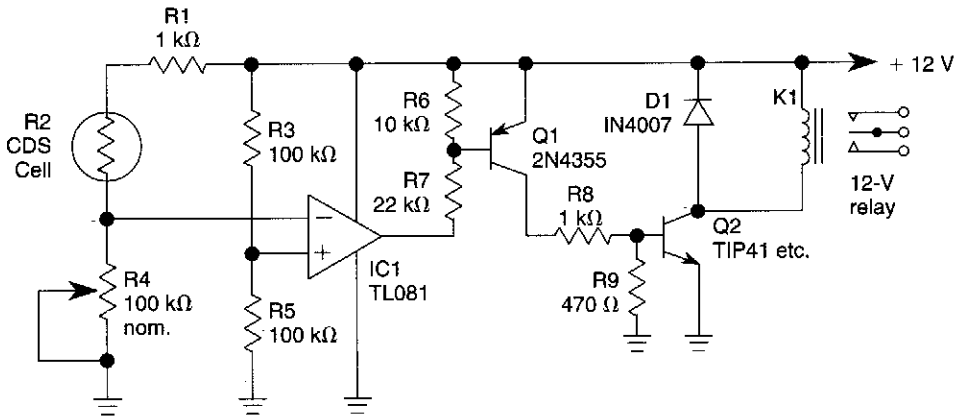
FIG. 51-9

The circuit can be used as a sensor that can trigger an alarm without direct contact being made by the intruder. In this circuit, a visible or invisible light source radiates on the sensor, keeping the detection loop in what could essentially be called a normally closed condition.

As long as the light source striking R5 remains uninterrupted, the switch remains closed. But if an intruder passes between the light source and the sensor, the circuit goes from closed to open, and triggers the alarm.

A light-dependent resistor (LDR), whose resistance varies inversely with the amount of light hitting its sensitive surface, is used. A bright light aimed at R5 causes its internal resistance to drop as low as a few hundred ohms; in total darkness, the unit's resistance can rise to several megohms. The light-dependent resistor (R5) is connected between the +V supply and the base of Q1. As long as R5 detects light, it supplies ample base current to cause Q1's collector to saturate to near ground level. That also pulls the base of Q2 (a 2N3906 general-purpose pnp transistor) to near ground level, turning it on and clamping its collector to the +V rail.

PRECISION LIGHT-SENSITIVE RELAY SWITCH

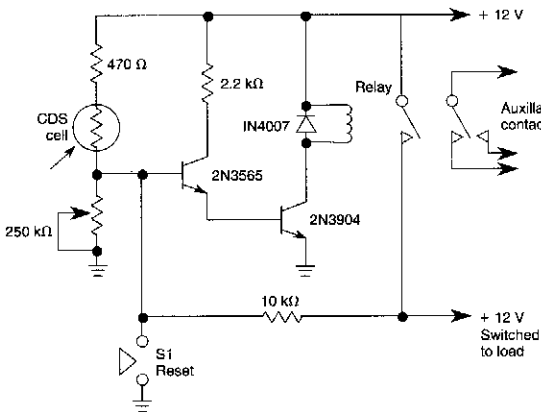


WILLIAM SHEETS

FIG. 51-10

A CDS cell in a bridge circuit with an op amp provides a simple means of operating a relay at a predetermined light level. Potentiometer R4 sets the sensitivity.

SELF-LATCHING LIGHT-ACTIVATED SWITCH

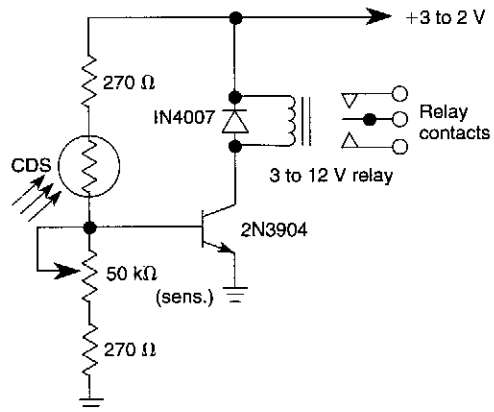


WILLIAM SHEETS

FIG. 51-11

When light strikes the CDS cell it turns on the transistors which activates the relay which latches. Depressing S1 grounds the base of the 2N3565 and the relay resets. The 250 k potentiometer adjusts the sensitivity of the circuit.

SIMPLE NONLATCHING PHOTOCELL SWITCH

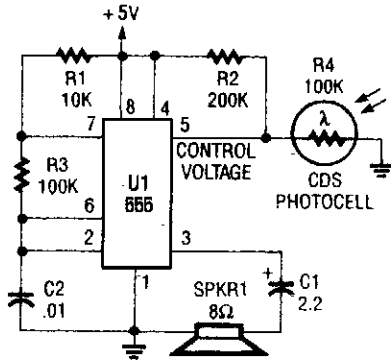


WILLIAM SHEETS

FIG. 51-12

A CDS photocell is used to drive the relay. The circuit operates from a +12 V supply.

LIGHT-CONTROLLED OSCILLATOR

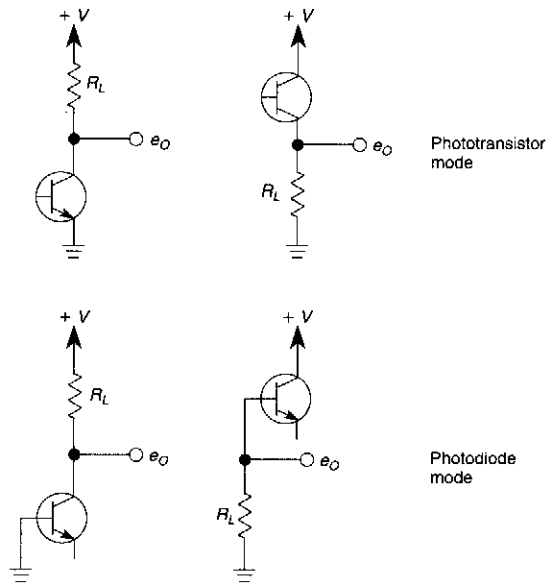


POPULAR ELECTRONICS

FIG. 51-13

This circuit can be used as a light detector and possibly as an aid for the visually handicapped. The frequency of the oscillator is determined by the amount of illumination striking LDR4.

PHOTOTRANSISTOR CIRCUITS

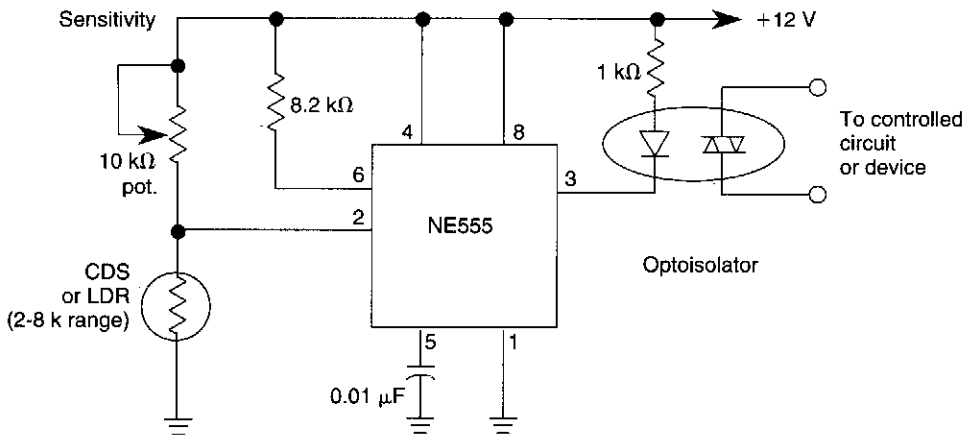


WILLIAM SHEETS

FIG. 51-14

Here are four ways to connect a phototransistor for general use in phototransistor circuits.

DARK-ACTIVATED RELAY



WILLIAM SHEETS

FIG. 51-15

Configuring a 555 IC as shown yields a dark-activated relay with low hysteresis. CDS or LDR should be in the 2 k to 8 k range at desired light level.

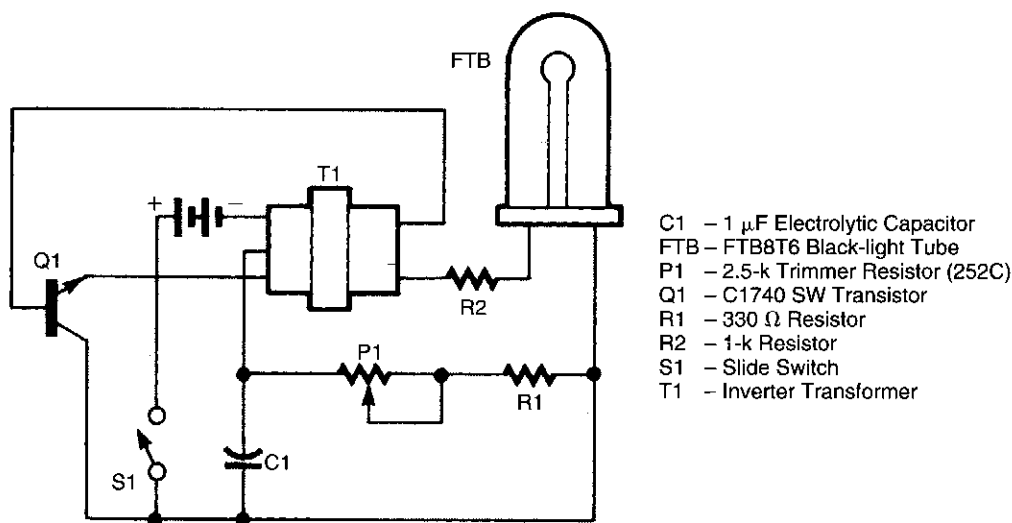
52

Light Sources

The sources of the following circuits are contained in the Sources section, which begins on page 675. The figure number in the box of each circuit correlates to the entry in the Sources section.

Battery-Operated Black Light
Solid-State Light Sources

BATTERY-OPERATED BLACK LIGHT



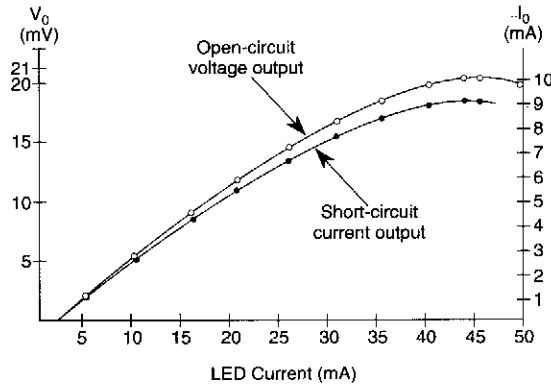
1989 PE HOBBYIST HANDBOOK

FIG. 52-1

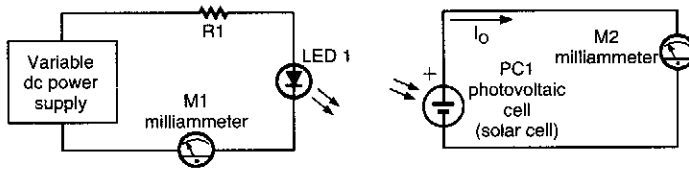
The battery-operated black light uses a “U”-shaped, unfiltered, black-light tube, which requires approximately 250 Vac to operate. To create the 250-Vac 6-V battery, the circuit uses a one-transistor blocking oscillator that drives a ferrite inverter transformer. A blocking oscillator turns itself off after one or more cycles. In this circuit, it consists of C1, P1, Q1, R1, and T1. The oscillations are sustained because the base of Q1 is connected to one of the windings on T1.

Transformer T1 is a step-up transformer that consists of a ferrite core, which has a few turns on the primary and many turns on the secondary. The oscillating (ac) output of Q1 is fed to T1, which, because of its large turns ratio, converts the low-voltage signal into a high-voltage alternating current, which is coupled through resistor R2 to the black-light tube. Resistor R1 and trimmer resistor P1 limit the current flowing through the circuit. As the control on P1 is rotated, more current flows in the circuit, producing a brighter light output.

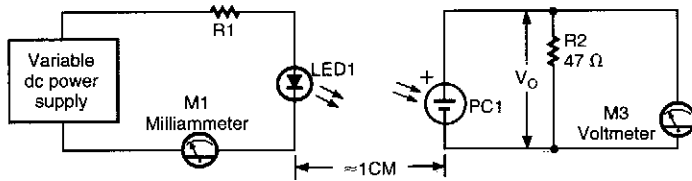
SOLID-STATE LIGHT SOURCES



A

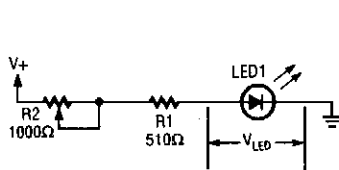


B

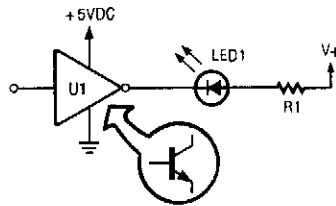


C

In A we show two LED output curves derived by experiment. The circuit in B was used to get the data for the short-circuit current plot, while the circuit in C yielded the data for the open-circuit voltage plot.

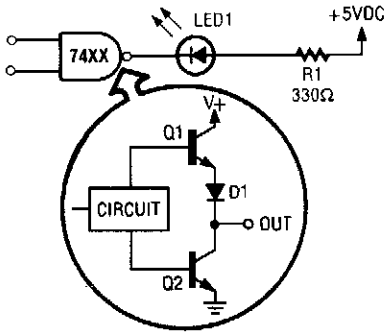


Since LED intensity is linearly related to the input current this circuit can be used to vary the LED's brightness via R2.

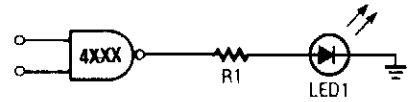


You can drive an LED with an open-collector TTL inverter. The inverter shown must ground the LED to turn it on.

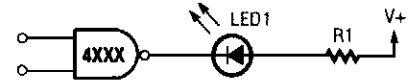
The 12 LED circuits shown are useful for experiments and applications of LED devices. The captions are self-explanatory and illustrate many common LED applications.



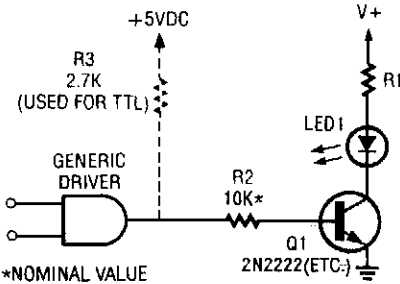
A totem-pole TTL output can drive an LED by grounding the LED's cathode, much like the open-collector driver.



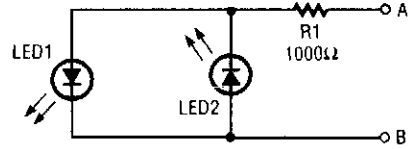
Unlike TTL devices, integrated circuits made with CMOS technology can source enough current to power an LED as shown here.



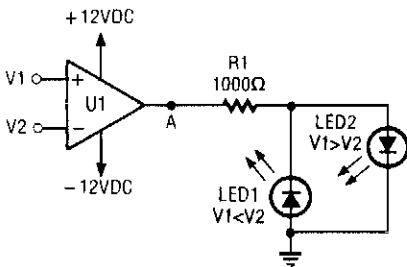
A CMOS-based gate can sink current much like a TTL gate in order to activate an LED.



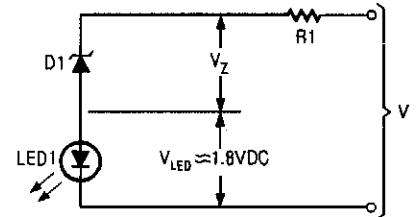
This driver circuit will work for either CMOS or TTL gates, but you don't need R3 in a CMOS-driven circuit.



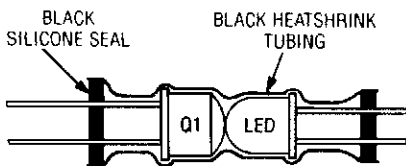
This simple polarity checker is easy to build and can be of help if you don't know much about a circuit's wiring or grounding convention.



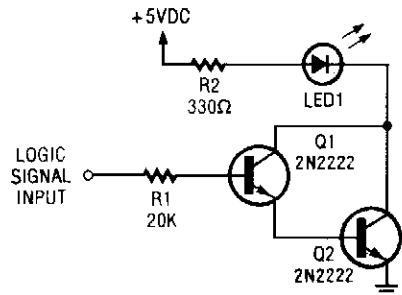
This is a bipolar output indicator that lets you know if one voltage is greater than, less than, or equal to another.



This is a simpler voltage-level sensor than that shown back in Fig. 9. To use it you have to know the polarity of the voltage it is to monitor.



You can "roll your own" optocoupler by using some heat-shrink tubing, an LED, and optical transistor, and silicon sealant as shown here.



This high sensitivity Darlington LED driver circuit can be used as a simple logic probe. You may have to vary the value of R1 to suit the circuit under test.

53

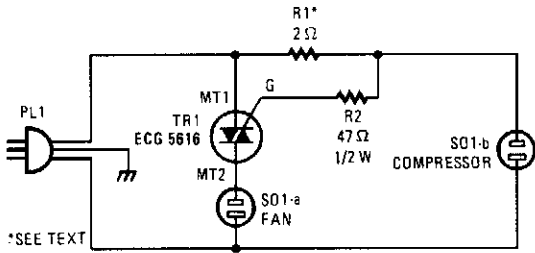
Load-Sensing Circuits

The sources of the following circuits are contained in the Sources section, which begins on page 675. The figure number in the box of each circuit correlates to the entry in the Sources section.

Load-Sensing Solid-State Switch

Load-Sensing Trigger

LOAD-SENSING SOLID-STATE SWITCH

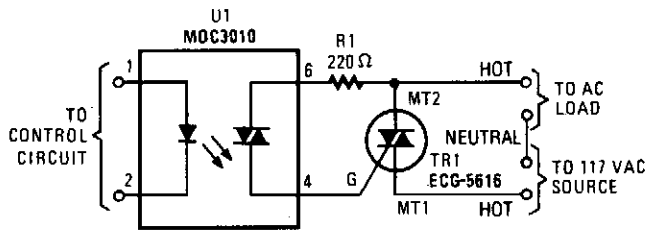


When this triac circuit senses current flow through SO1-a, it activates the device plugged into SO1-b. The values of the resistors must be chosen for the specific devices to be plugged in.

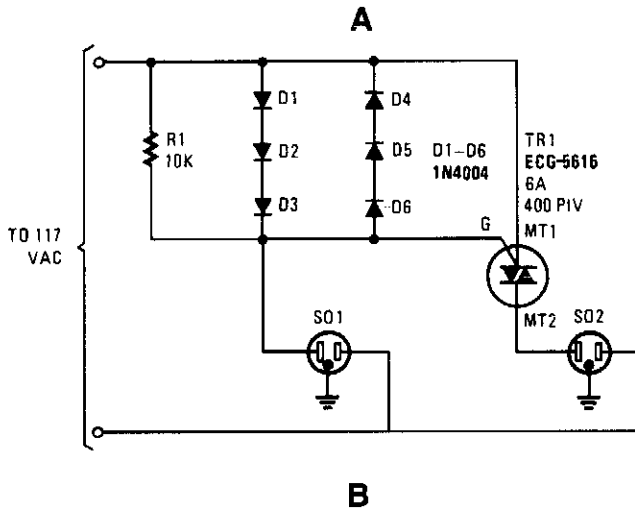
POPULAR ELECTRONICS

FIG. 53-1

LOAD-SENSING TRIGGER



Triacs can be controlled by low-power circuits through Triac-driver optoisolators as shown here.



POPULAR ELECTRONICS

FIG. 53-2

A device plugged into SO1 causes a voltage-limited gate trigger for triac TR1, and causes power to be applied to SC2.

54

Mathematical Circuits

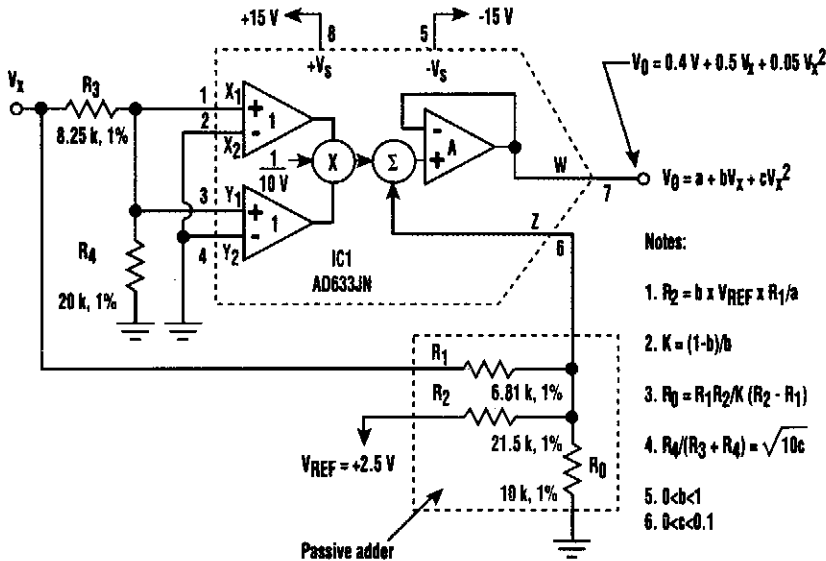
The sources of the following circuits are contained in the Sources section, which begins on page 675. The figure number in the box of each circuit correlates to the entry in the Sources section.

Second-Order Polynomial Generator

Polar-to-Rectangular Converter and Pattern Generator for Radio Direction Finding

Root Extractor

SECOND-ORDER POLYNOMIAL GENERATOR



ELECTRONIC DESIGN

FIG. 54-1

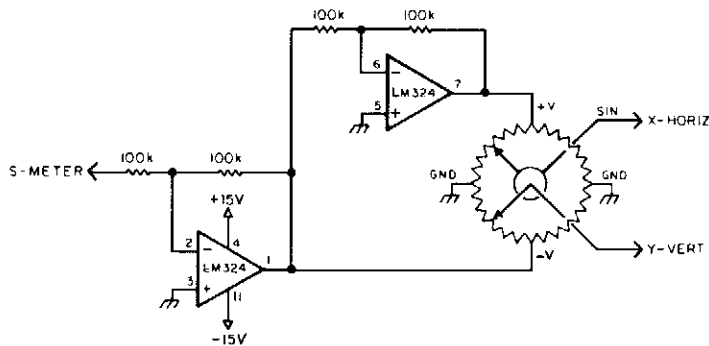
By using a circuit built with a single analog multiplier and five precision resistors, an output voltage (V_o) can be made to create a second-order polynomial.

The circuit implements the following quadratic:

$$V_o = a + bV_x + cV_x^2$$

The input terminals of IC1 are connected to create a positive square term and present the V_x signal to the output with a 1-10-V scale factor. Incorporating the voltage-divider network (resistors R3 and R4) in the input signal path provides additional attenuation adjustment for the coefficient (c) of the square term in the quadratic. Then, the passive adder (resistors R1, R2, and R_o) is wired to IC1's internal summing circuit to generate the polynomial's other two terms; the offset term (a) and the linear coefficient (b).

POLAR-TO-RECTANGULAR CONVERTER AND PATTERN GENERATOR FOR RADIO DIRECTION FINDING

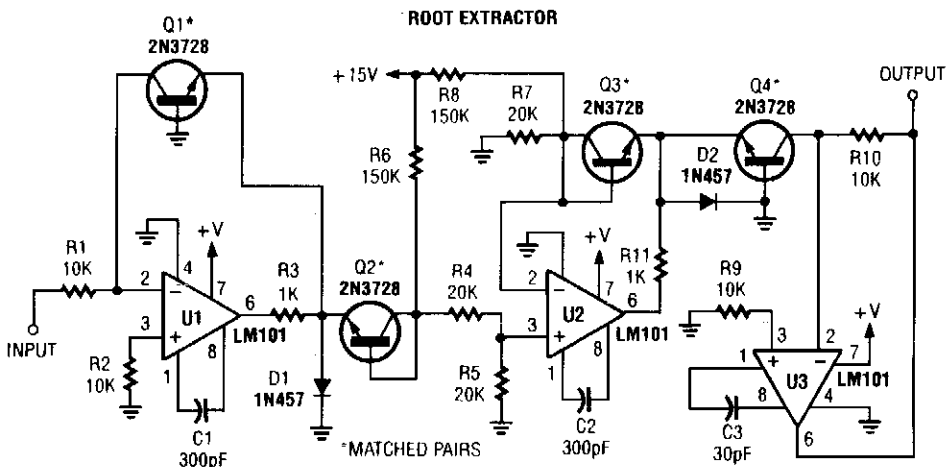


73 AMATEUR RADIO TODAY

FIG. 54-2

In order to display polar quantities (magnitude and direction of a received radio signal), a sine and cosine voltage proportional to an angle (antenna direction) is needed. In this case, a sine-cosine potentiometer coupled to a directional antenna and a sample of a voltage proportional to received signal is used to display relative magnitude and direction of a received signal.

ROOT EXTRACTOR



POPULAR ELECTRONICS

FIG. 54-3

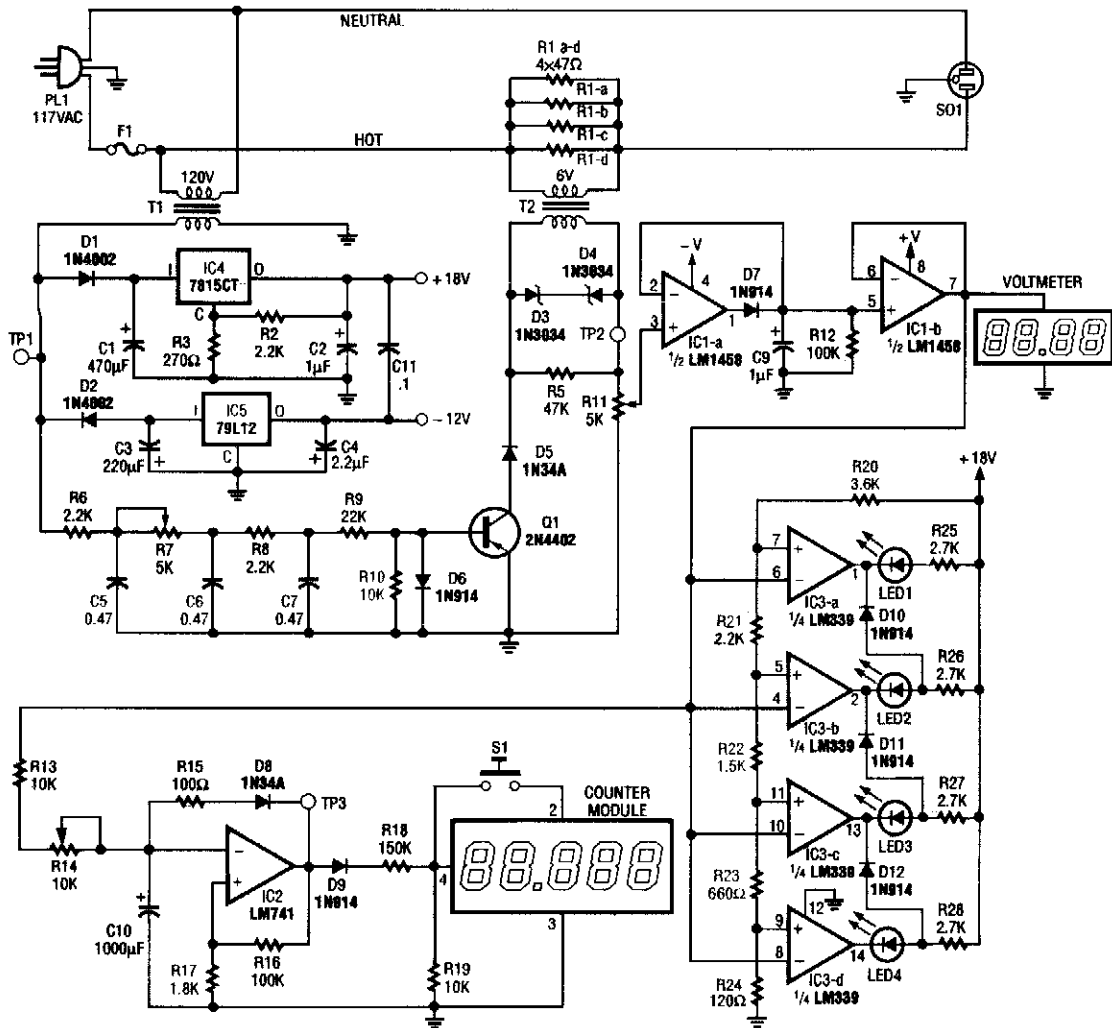
55

Measuring and Test Circuits

The sources of the following circuits are contained in the Sources section, which begins on page 675. The figure number in the box of each circuit correlates to the entry in the Sources section.

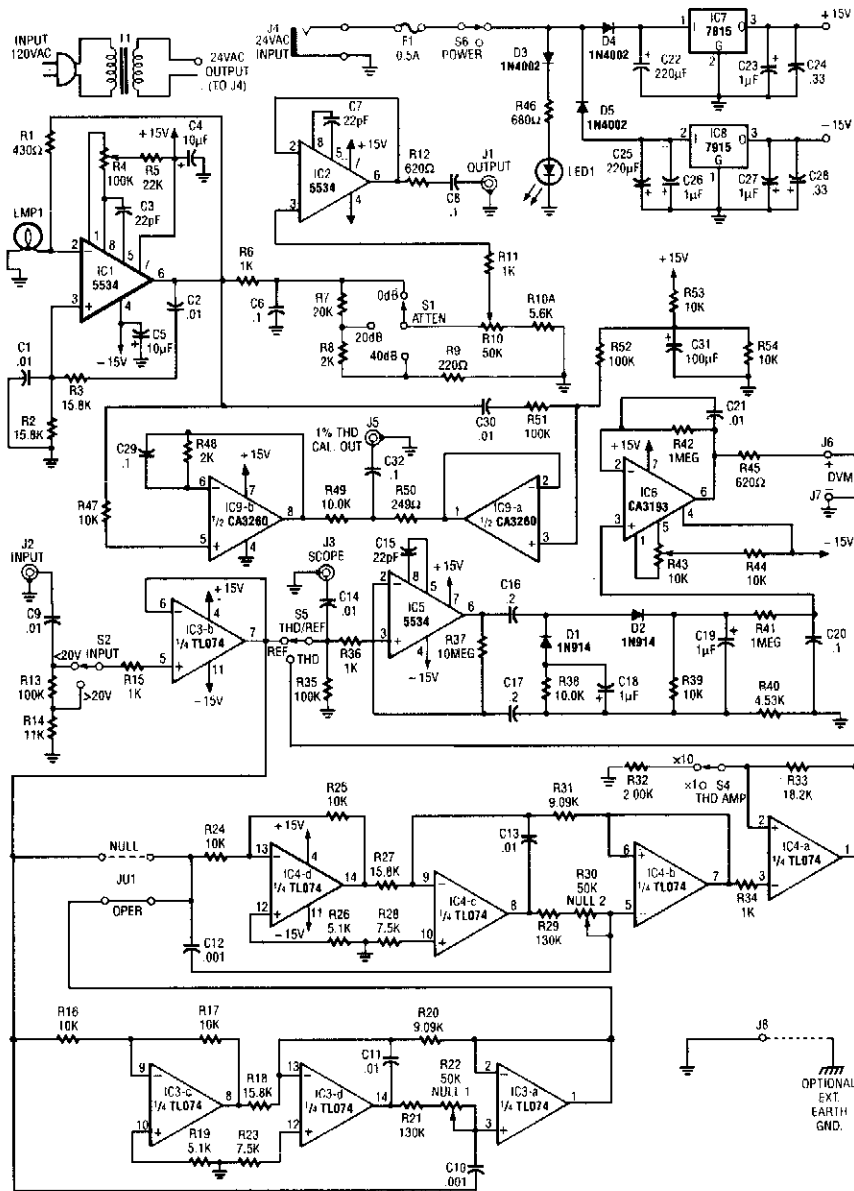
Energy Consumption Monitor	Signal Generator
Harmonic Distortion Analyzer	Simple Signal Tracer
Watch Tick Timer	DVM Adapter for PC
Visual Continuity Tester	Simple Digital Logic Probe
RC Decade Box	S Meter for Communications Receivers
Digital Altimeter	LED Expanded Scale Voltmeter
Electronic Scale	1-kHz Harmonic Distortion Meter
Radar Calibrator	Line Voltage-to-Multimeter Adapter
Cable Tester	Audible Logic Tester
Simple Curve Tracer	Short Tester for 120-V Equipment
Voltage Level Circuit	Digital Pressure Gauge
Low-Drift dc Voltmeter	Simple Short Finder
Light Meter	Voltage Monitor
Mercury Switch Tilt Detector	Linear Inductance Meter
50-MHz RF Bridge	DeBounce Circuit
ac Watts Calculator	ac Wiring Locator
Audio-Frequency Meter Circuit	Audible Continuity Tester
One-IC Capacitance Tester	ac Outlet Tester
Transistor Checker	JFET Voltmeter
Low-Current Ammeter	Check for Op-Amp dc Offset Shift
Analog Frequency Meter	Continuity Tester for Low-Resistance Circuits
Electromagnetic Field Sensor	Supply Voltage Monitor
Magnetic Proximity Sensor	Audio-Frequency Meter
High-Impedance Voltmeter	Zener Diode Test Set
Fast Video-Signal Amplitude Measurer	

ENERGY CONSUMPTION MONITOR



The ECM circuit consists of four sections, as shown in the block diagram. A power converter generates a voltage that is proportional to the true or real power consumed by the load. That voltage feeds both a bargraph and a voltage-to-pulse converter. The bargraph gives an approximate indication of the amount of power used, and the voltage-to-pulse converter produces a pulse whose frequency is proportional to the power. The pulse triggers the counter module, which displays the cost of powering the monitored load.

HARMONIC DISTORTION ANALYZER

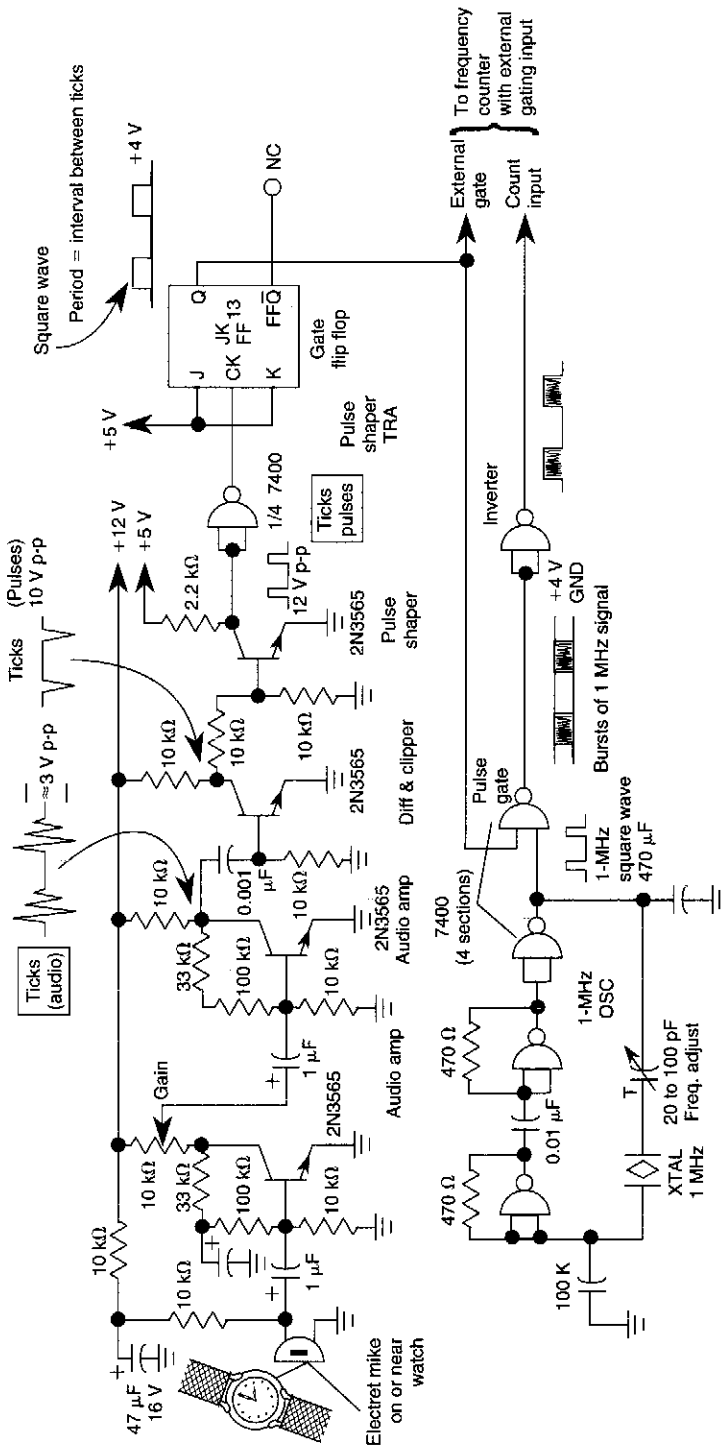


RADIO-ELECTRONICS

FIG. 55-2

The circuit includes a low-distortion, 1-kHz oscillator and will measure THD at a user selected voltage level for voltage amplifiers, or for checking amplifiers of power levels to 600 W. It will detect THD levels of .005% (-86 dB). A built-in one-percent THD calibrator is included. The output device is a digital multimeter (DMM).

WATCH TICK TIMER

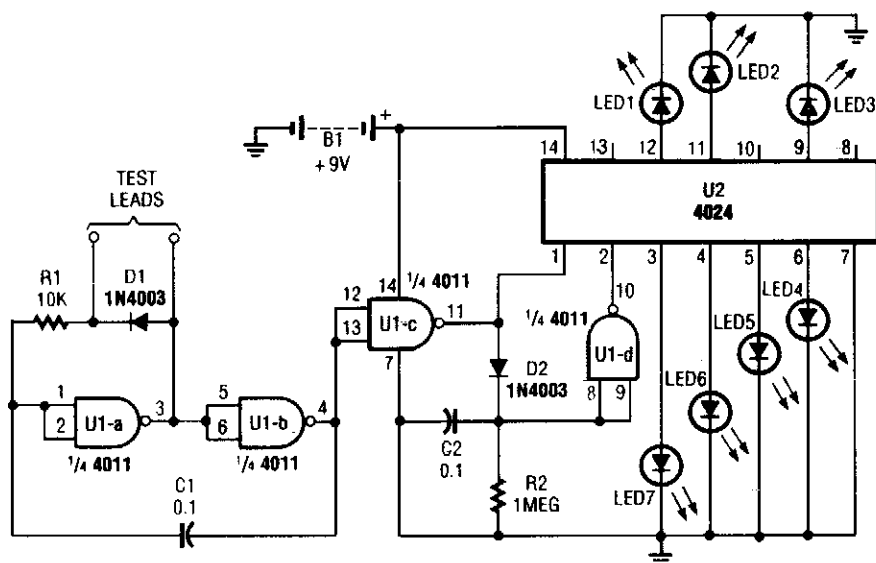


WILLIAM SHEETS

FIG. 55-3

This circuit adapts a frequency counter to measure intervals. It was originally used as a shutter speed checker for a photo application. The watch ticks are clipped and shaped and formed into a square wave. This square wave is used to gate an accurately known clock (1-MHz TTL XTAL OSC) and an external counter is used to directly count the clock pulses during the interval to be measured. A 1-MHz clock can be used to measure to a resolution of 1 μsec. Accuracy = $\pm 1 \mu\text{s} \pm 1$ count LSB.

VISUAL CONTINUITY TESTER



POPULAR ELECTRONICS

FIG. 55-4

By judging the rate at which a particular LED flashes, you'll be able to estimate the resistance. The circuit consists of two IC's (1 4011 CMOS quad 2-input NAND gate, U1; and a 4024 binary counter, U2), seven LEDs, and a handful of additional components. All of the gates in U1 are wired as inverters.

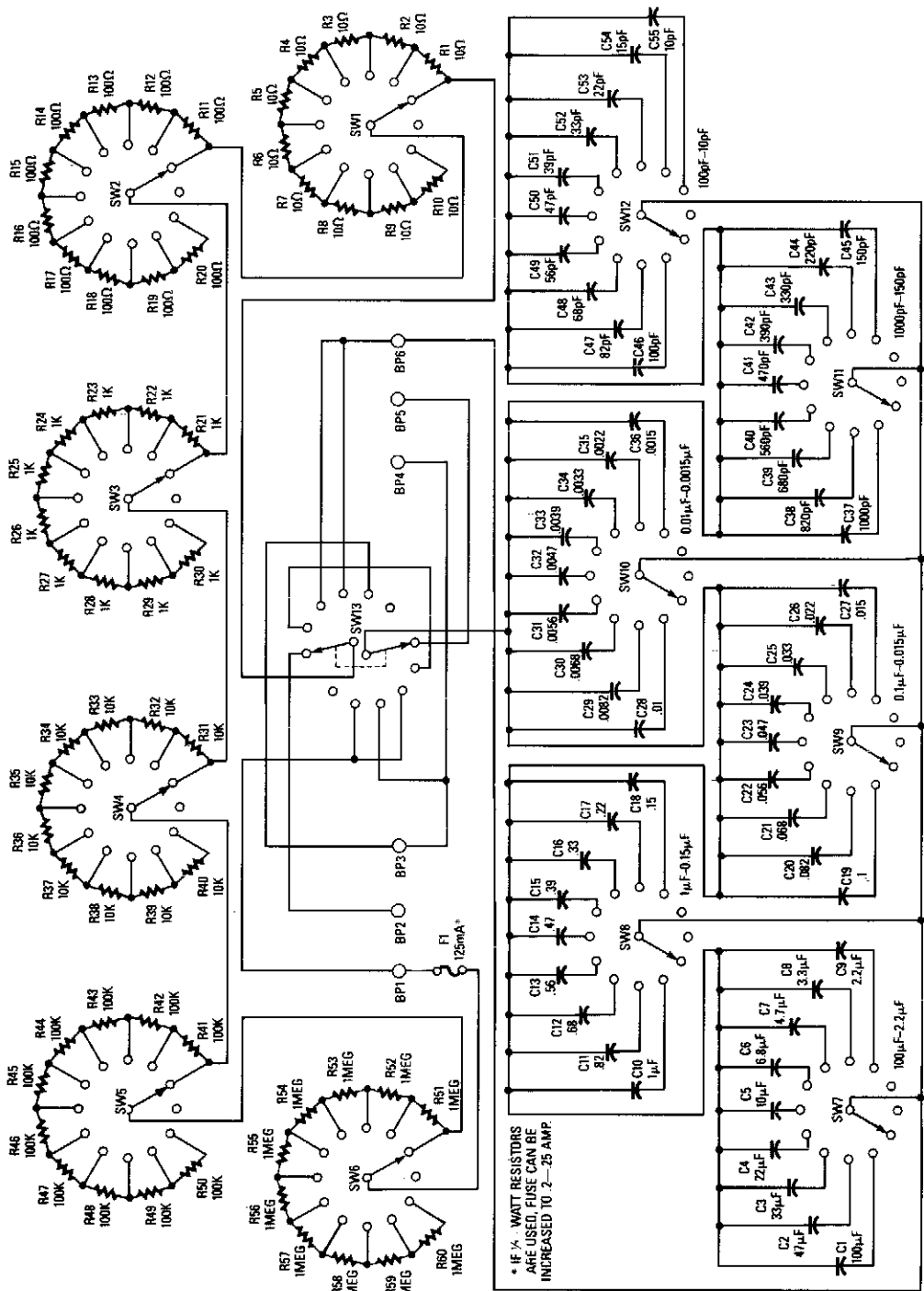
Two of the inverters (U1-a and U1-b) comprise an astable-multivibrator (free-running oscillator) circuit, whose operating frequency depends on the amount of resistance detected between the test probes. Feedback from the output of the oscillator (at pin 4 of U1-b) back to the input of the circuit (at U1-a, pins 1 and 2) is provided via C1. Resistor, R1, along with the unknown resistance between the test probes, completes the RC timing circuit. The frequency of the oscillator decreases as the resistance between the test probes increases.

The output of the oscillator is fed to pin 12 and 13 of U1-c, the output of which then divides along two paths. In the first path, U1-c's output is applied to the clock input of U2 (a 4024 binary counter) at pin 1; in the other path, the signal is fed through D2 and across capacitor C2, causing it to begin charging. The charge on C2 is applied to U1-d at pins 8 and 9. The output of that inverter (U1-d) is fed to the reset terminal (pin 2) of U2. If there is continuity or a measurable resistance between the test probes, U2's reset terminal is pulled low, triggering the counter and allowing it to process the input pulses (count).

The rate of the count is proportional to the resistance between the test probes. If the resistance between the test probes is low, the counter advances slowly. The counter provides a 7-bit binary output that is wired to seven LEDs.

When the test probes are placed across a short circuit, LED7 flashes. If the tester is placed across a resistance of, for example, 2 MΩ, LED1 will flash. In either case, the LED whose assigned value most closely corresponds to the resistance connected between the two probes will flash continually at a steady pace, while the other LEDs will seem to flash intermittently.

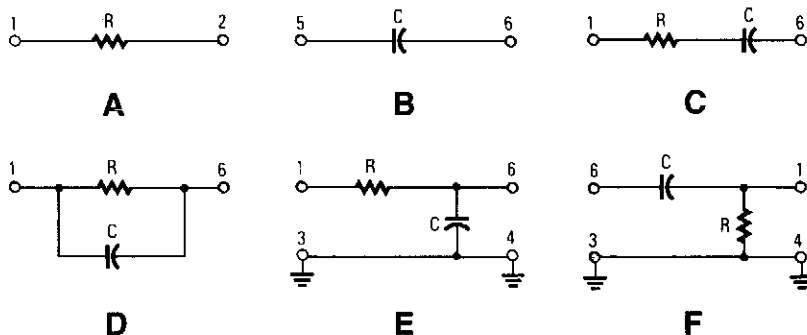
RC DECADE BOX



1989 R-E EXPERIMENTERS HANDBOOK

FIG. 55-5

RC DECADE BOX (Cont.)



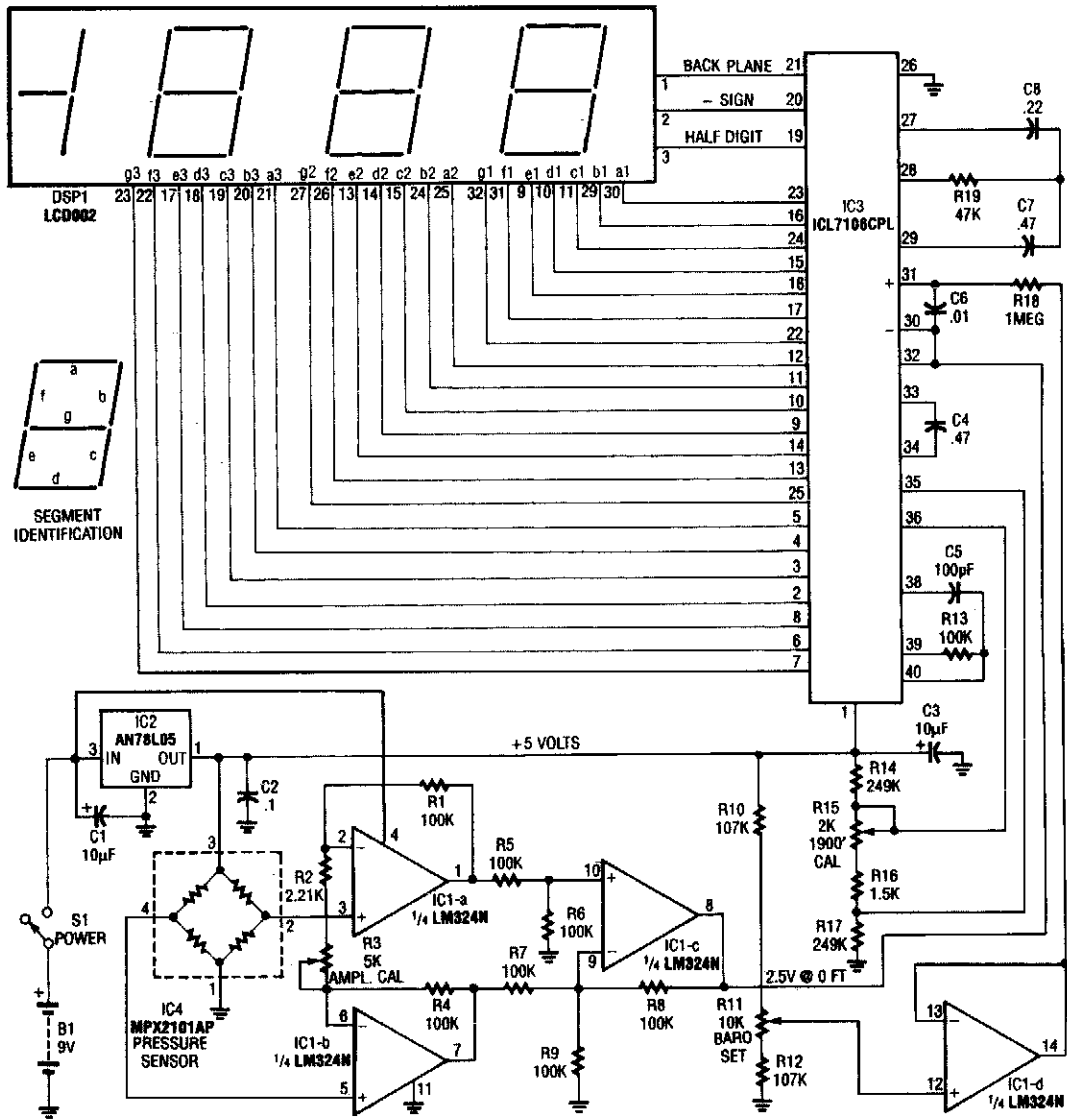
THE VARIOUS CONFIGURATIONS are set using S13: (a) resistor only and (b) capacitor only (both in position R/C); (c) series RC (position SER); (d) parallel RC (position PAR); (e) Low-Pass Filter (position LPF); and (f) High-Pass Filter (position HPF). The terminal numbers listed are those of binding-posts BP1–BP6.

TABLE 1—DECABOX TERMINAL CONNECTIONS

Configuration	S13 Position	IN/GND	OUT/GND
Resistance	R/C	IN: BP1	OUT: BP2
Capacitance	R/C	IN: BP5	OUT: BP6
Series RC	SER	IN: BP1	OUT: BP6
Parallel RC	PAR	IN: BP1	OUT: BP6
Low Pass Filter (Integrator)	LPF	IN: BP1 GND: BP3	OUT: BP6 GND: BP4
High Pass Filter (Differentiator)	HPF	IN: BP6 GND: BP3	OUT: BP1 GND: BP4

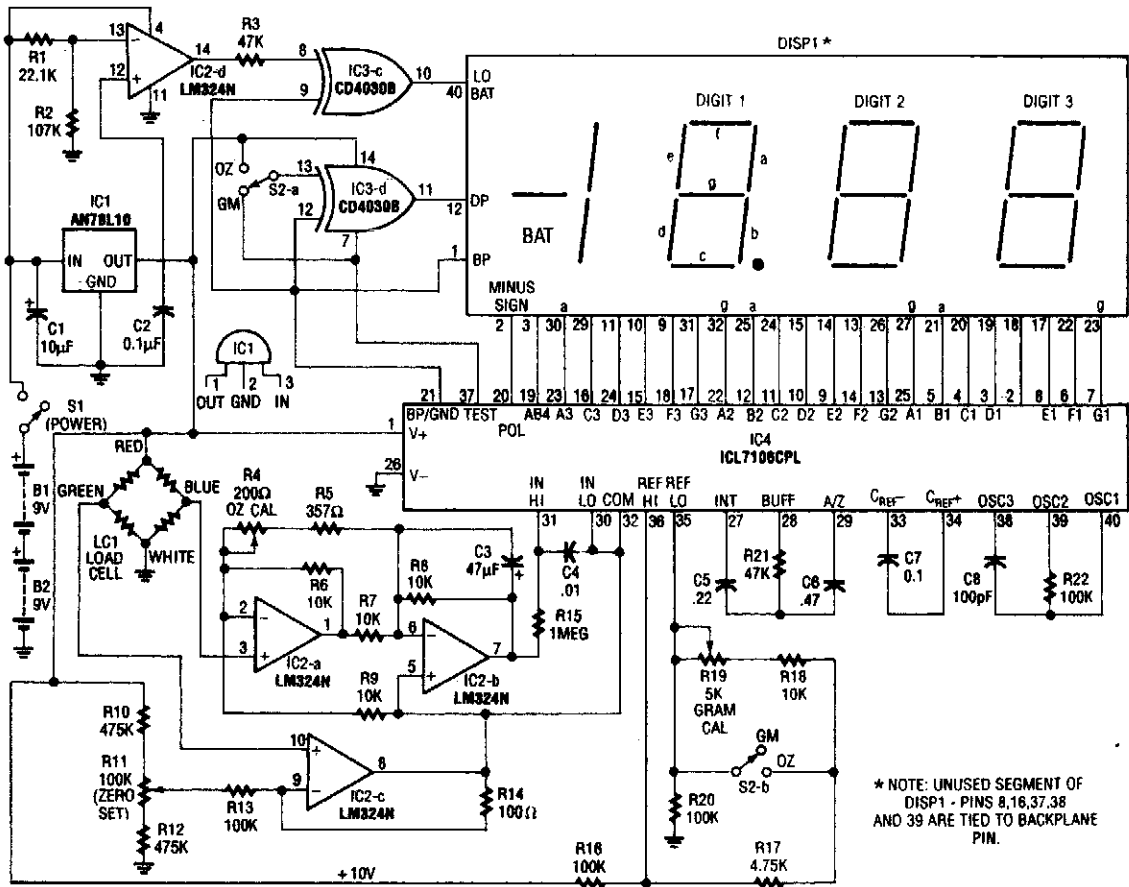
This decade box can be set for any resistance value between 10 Ω and 11.1 M Ω in 10- Ω steps. A switch can be used to configure several RC configurations. Use close tolerance components in the circuit. If possible, check components with an accurate bridge or other means to ensure accuracy.

DIGITAL ALTIMETER



A pressure sensor (IC4) is used with a dc amplifier to convert the bridge output (IC4) to a single-ended voltage. IC1d provides a reference voltage for setting barometric pressure. IC3 is an A/D converter manufactured by Intersil. This drives an LCD module. Calibration reads out in fact. A vacuum pump and a water-based manometer can be used for sensor calibration.

ELECTRONIC SCALE

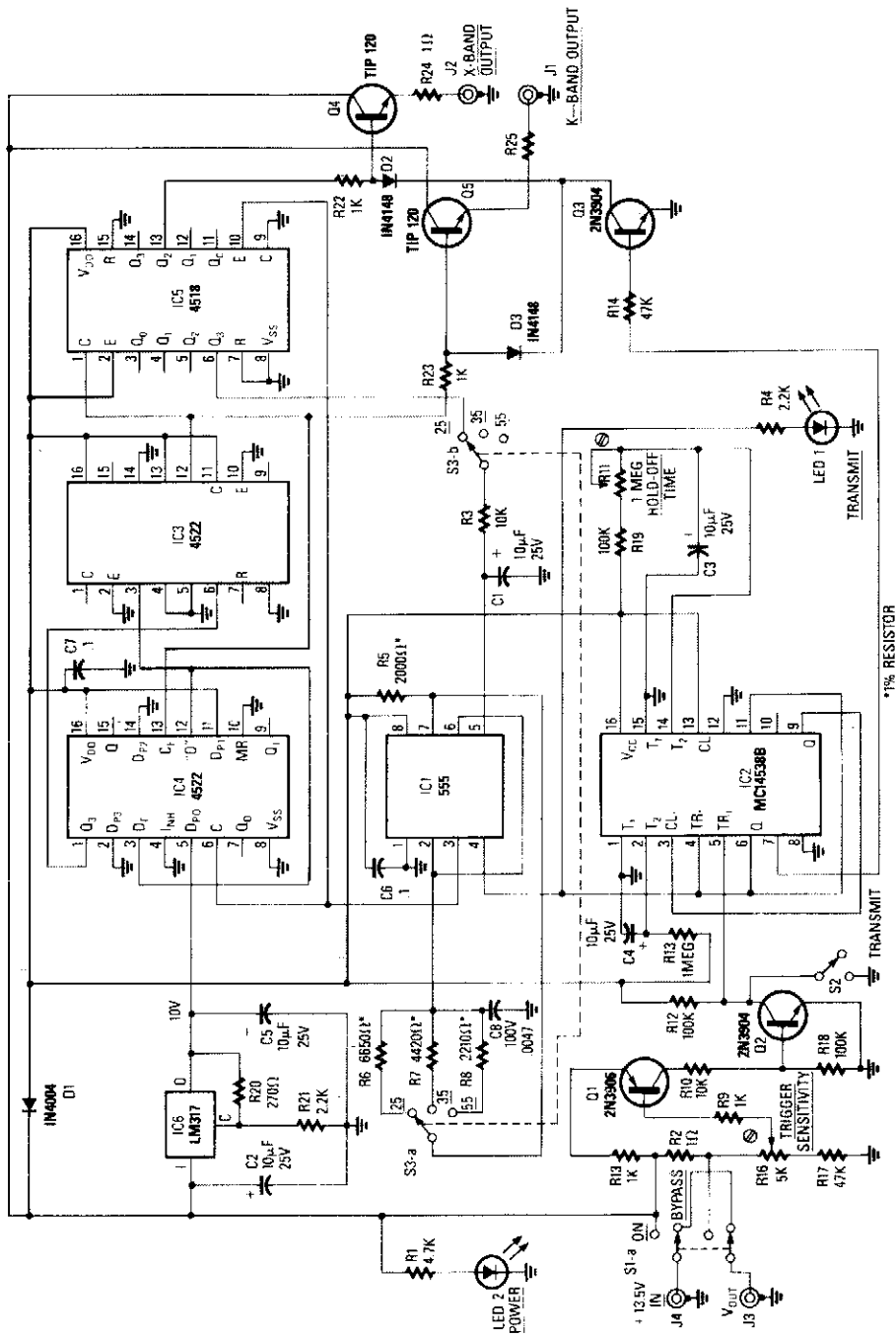


ELECTRONICS NOW

FIG. 55-7

An electronic scale using a pressure transducer (load cell) and an analog-digital (A/D) converter to drive a digital display is shown. The scale range depends on load cell. Display is calibrated in appropriate units. Components are on main circuit and display boards. The off-board controls are on the front panel and case. The cell in this scale is rated for 1.3 pounds (600 grams).

RADAR CALIBRATOR

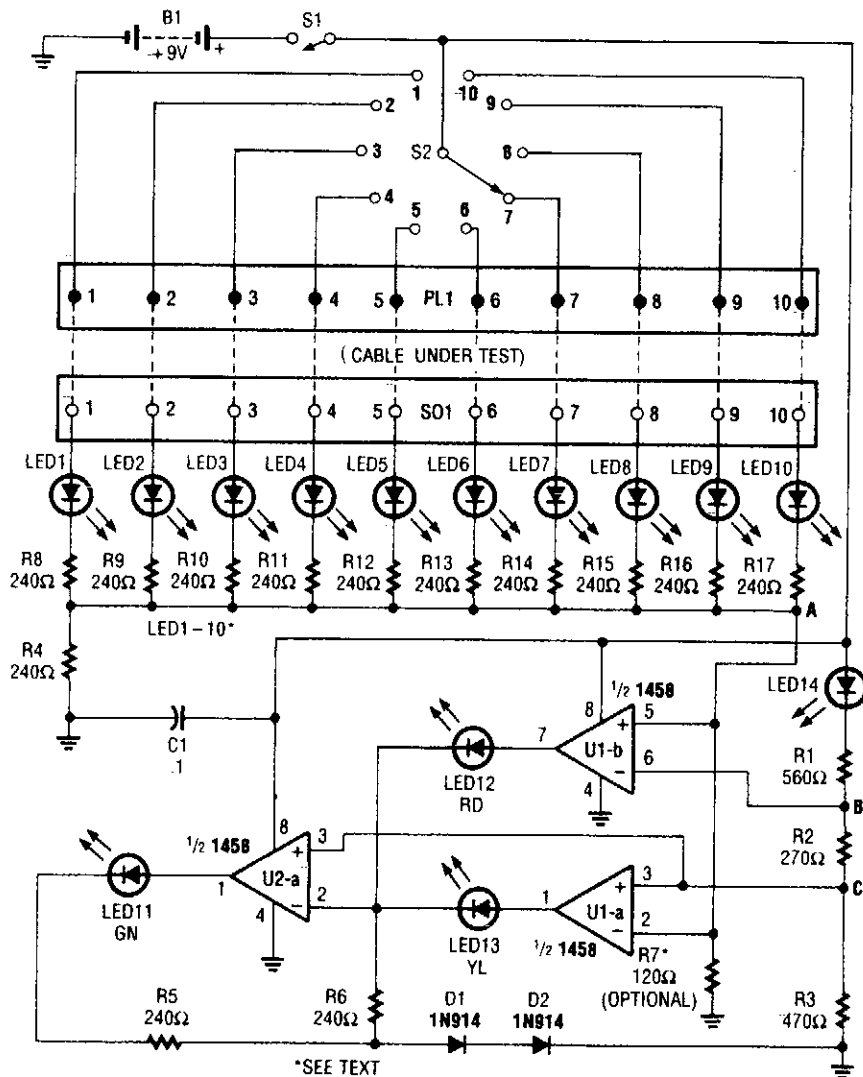


RADIO-ELECTRONICS

FIG. 55-8

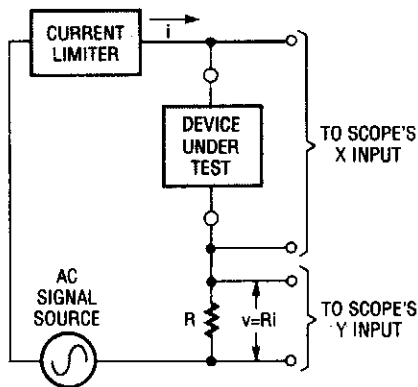
This circuit is basically a system that generates a pulsed modulation signal for a Gunn diode microwave oscillator. Several speed settings are preset (S3 a and b). A 555 timer is used with a frequency divider chain to produce Doppler shift equivalents of 25, 35, and 55 mph, for both X- and D-band radars.

CABLE TESTER

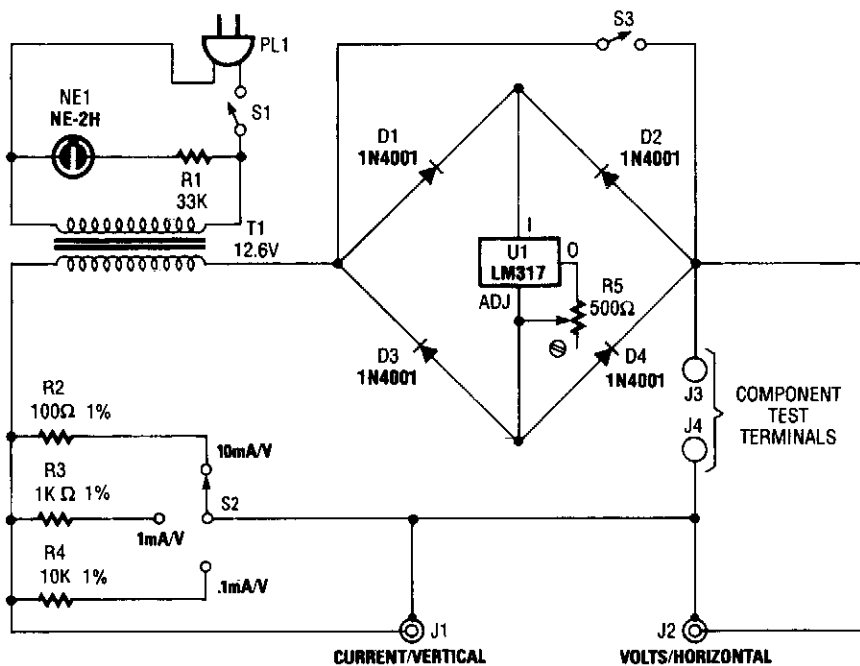


At the heart of the cable tester are two op amps, which are used as a window comparator to indicate a short- or open-circuit condition. A third op-amp comparator is used to indicate a good circuit (i.e., neither open nor shorted). Colored LEDs are used to show the condition of individual conductors within the cable under test; a red one to indicate a short between conductors, a yellow one to identify an open conductor, and a green one to signify that the conductor is okay. Individual LEDs of a bar-graph display are used to show which conductor in the cable is being tested.

SIMPLE CURVE TRACER

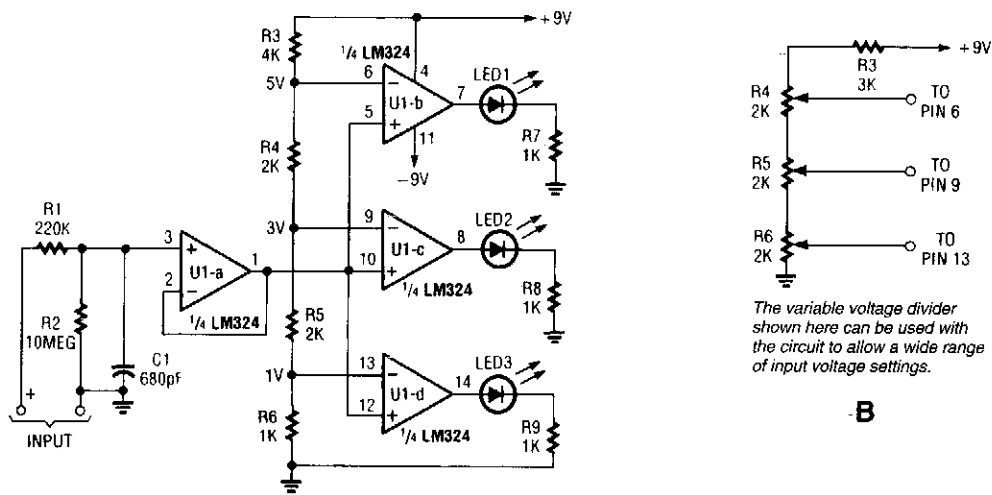


This is a simple block diagram of the EZ-Curve. Current-limited AC signals are passed through both the device under test and a precision resistor to yield current and voltage readings.



Useful for checking diodes, transistors, triacs, SCRs, resistors, and LEDs, this curve tracer should prove useful in the experimenter's lab. It displays the volt-ampere characteristic of a two-terminal device on an oscilloscope.

VOLTAGE LEVEL CIRCUIT



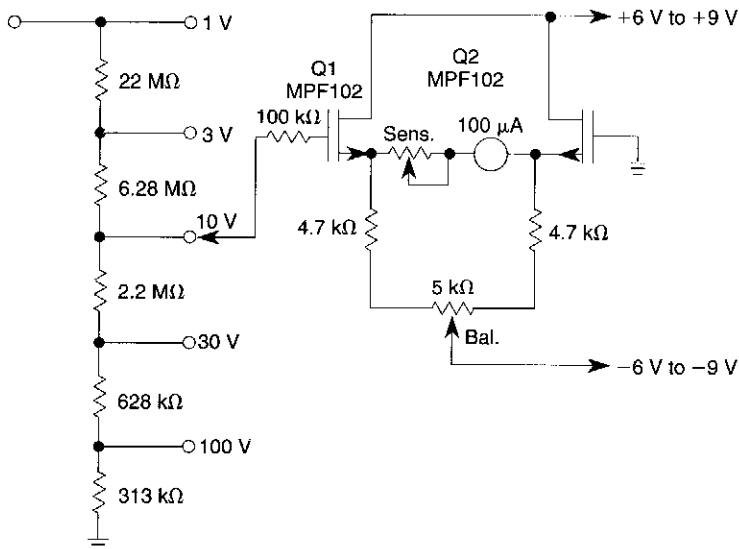
POPULAR ELECTRONICS

A

FIG. 55-11

A DC op amp and a comparator with a ladder reference divider allow a dc input voltage to light one or more LEDs, depending on voltage levels.

LOW-DRIFT dc VOLTMETER

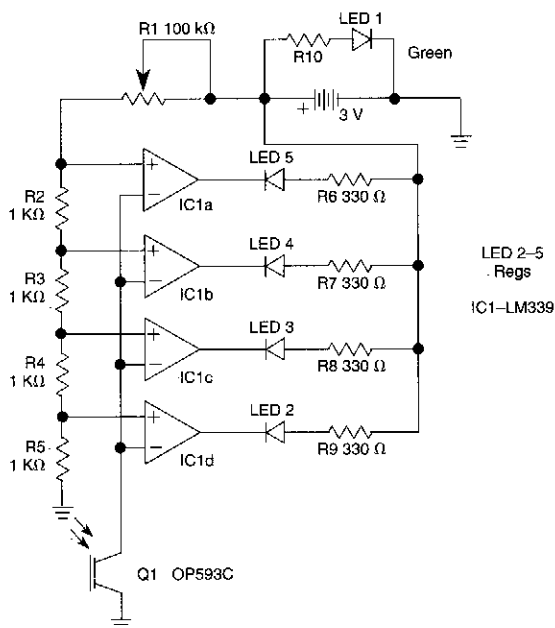


WILLIAM SHEETS

FIG. 55-12

This voltmeter uses a pair of JFETs in a balanced-bridge source-follower amplifier circuit. Q1 and Q2 should be matched within 10% for I_{DSS} . This minimizes meter drift and maintains bridge balance over temperature.

LIGHT METER



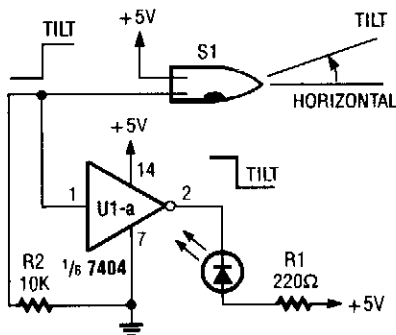
WILLIAM SHEETS

FIG. 55-13

The outputs from the comparators will swing, in sequence, from high to low as the input voltage rises above the reference voltage applied to each comparator. The output LEDs will then switch on in sequence as the voltage rises.

The inverting inputs of the comparators are connected in common to the collector of phototransistor Q1. When Q1 is illuminated, its collector-emitter junction conducts, thereby placing all the inverting inputs within a few millivolts of ground. For most settings of R1, each of the four reference voltages exceeds the value. Therefore, when Q1 is illuminated, the output from each comparator is high and its respective indicator LED is off.

MERCURY SWITCH TILT DETECTOR

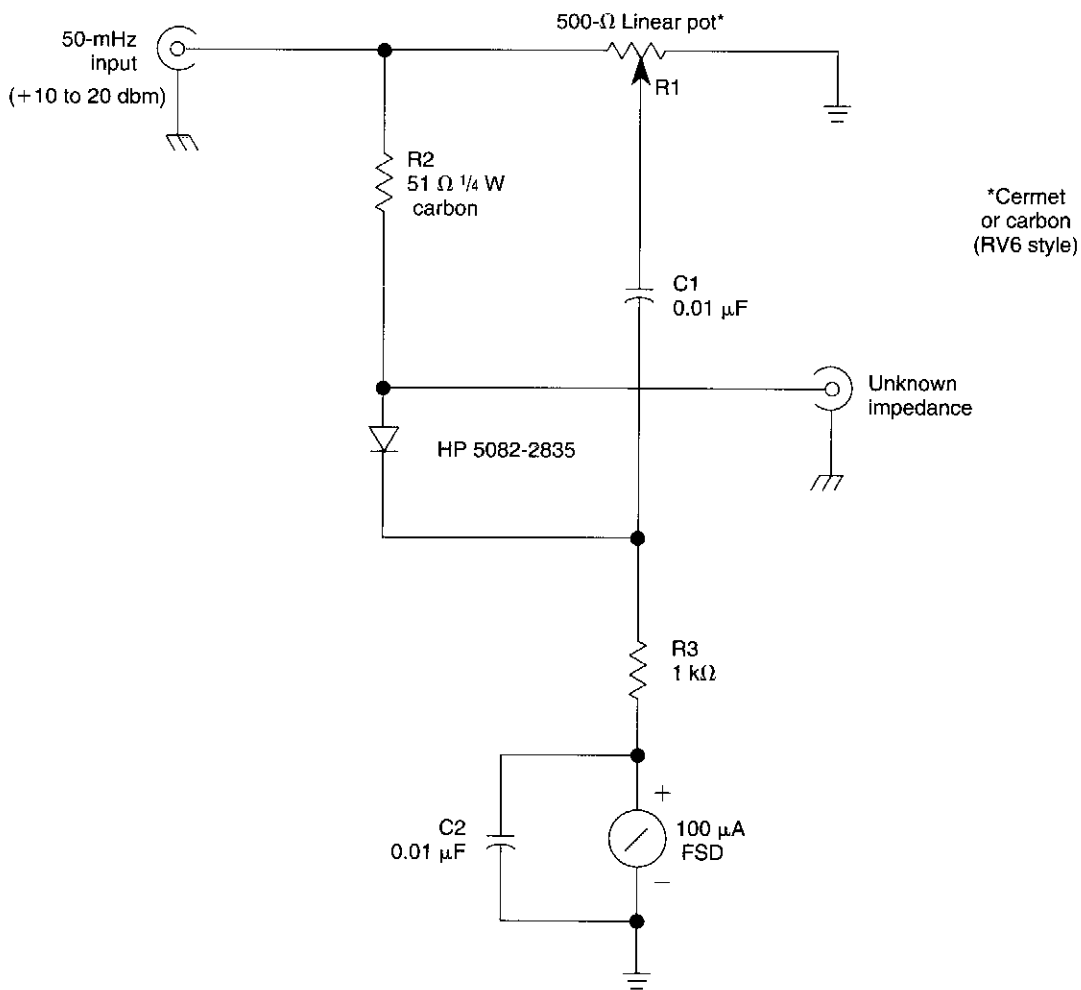


POPULAR ELECTRONICS

FIG. 55-14

If the mercury bulb in this circuit is tipped, U1-a will light LED1 by going low, indicating a "tilted" condition.

50-MHz RF BRIDGE

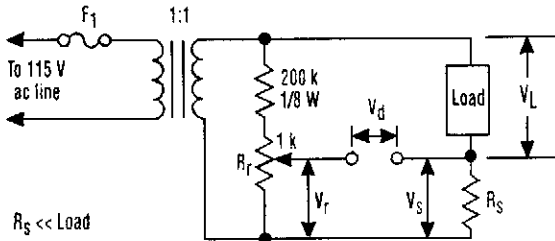


WILLIAM SHEETS

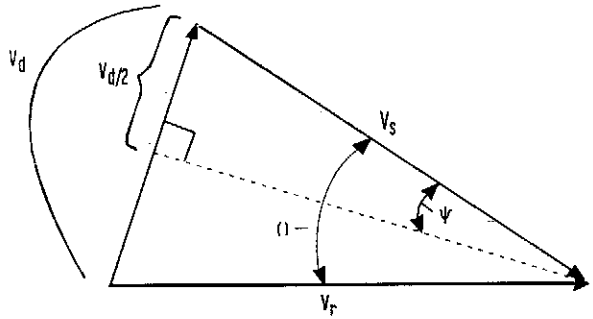
FIG. 55-15

The bridge shown was used for measurements on 50-MHz amateur radio antennas. R1 is a miniature 500 Ω linear potentiometer. The unknown impedance is compared to R2, a 51- Ω resistor. An external signal source is required.

ac WATTS CALCULATOR



The load's power factor, which is the cosine of the phase angle between the voltage across the load current, can be calculated simply with this circuit. A 1:1 isolation transformer is used to prevent direct contact with the line



By properly adjusting R_r , the vector diagram of voltages V_s , V_d , and V_r forms an isosceles triangle, which simplifies the power calculation.

ELECTRONIC DESIGN

FIG. 55-16

The method basically consists of determining the power factor of the load—the cosine of the phase angle between the voltage across the load and the load current. Using a simple circuit, that angle can be calculated quite simply.

This circuit uses a 1:1 isolation transformer to prevent direct contact with the line. It is wise to proceed with caution whenever voltages of this magnitude are utilized in a test setup, even though the voltages that will be measured are usually below 1 V.

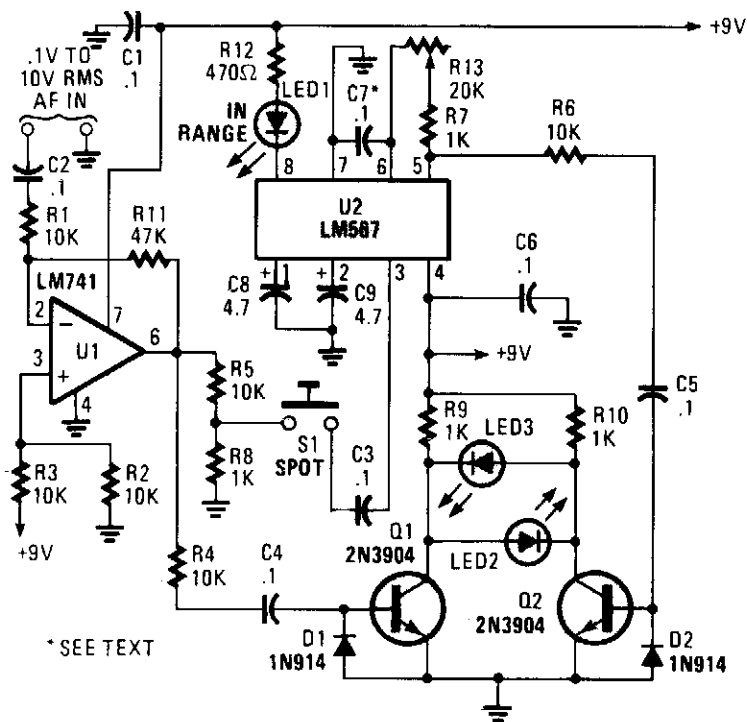
R_s is a circuit-sense resistor and R_r is a multi-turn potentiometer. The voltage across R_r is approximately 0.5% of the line voltage, which should be sufficient for most applications.

R_r is adjusted so that $|V_r| = |V_s|$; then V_d is measured. In the vector diagram according to Kirchhoff's voltage law, V_s , V_d , and V_r form a triangle, which becomes isosceles by adjusting R_r . V_s is in phase with the load current and V_r is essentially in phase with the load voltage.

The power delivered to the load can be calculated as follows:

$$\begin{aligned} P_L &= V_L \times I_L \times \cos \theta \\ &= V_L \times (V_s / R_s) \times \cos [2 \sin^{-1} (V_d / 2V_s)] \\ \theta &= 2 \psi = 2 \sin^{-1} (V_d / 2V_s) \end{aligned}$$

AUDIO-FREQUENCY METER



POPULAR ELECTRONICS

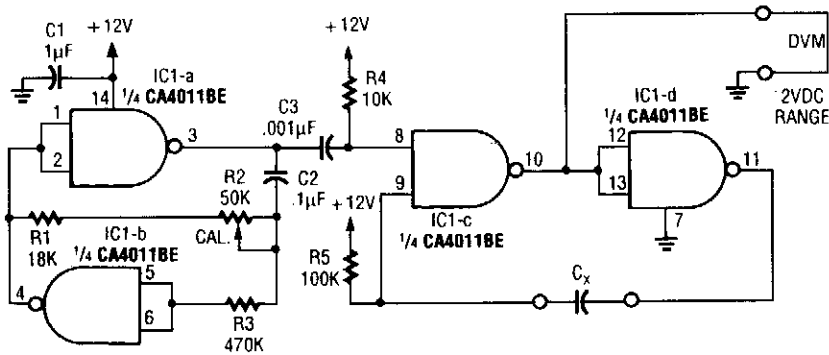
FIG. 55-17

This meter differs from the norm in that it does not use a D'Arsonval movement or digital display to give a reading of the input frequency. Instead, the measured frequency is read from a hand-calibrated dial.

Any audio signal applied to the circuit is amplified by U1 and the resulting output is divided along two paths. In one path, the output signal is applied to the mixer; in the other path, the signal is applied to the input of U2 through S1 (a normally open pushbutton switch).

The portion of the amplifier signal that is fed to the mixer is applied to the base of Q1, causing it to toggle on and off at the signal frequency. In the other path, when S1 is pressed, a portion of the op amp's output is applied to U2. If the signal is within the range of U2's internal oscillator's operating frequency, LED1 lights, and a signal is fed to the base of Q2. If the two signals arriving at the mixer do not match exactly, LED2 and LED3 light. That means that the circuit must be fine tuned, which is accomplished by releasing S1 and fine tuning R13 until LED2 and LED3 go out. The dial setting at that point gives the frequency of the input signal to within 1 Hz (or as close as the calibrated dial will allow).

ONE-IC CAPACITANCE TESTER

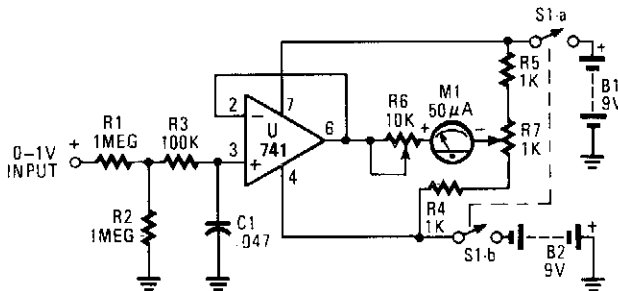


RADIO-ELECTRONICS

FIG. 55-18

This circuit can be used to match capacitors, etc. The dc output voltage is related to the capacitance values of C_x . The circuit values shown are for capacitors in the $0.01\text{-}\mu\text{F}$ order of magnitude, but they can be changed for lower or higher values.

TRANSISTOR CHECKER



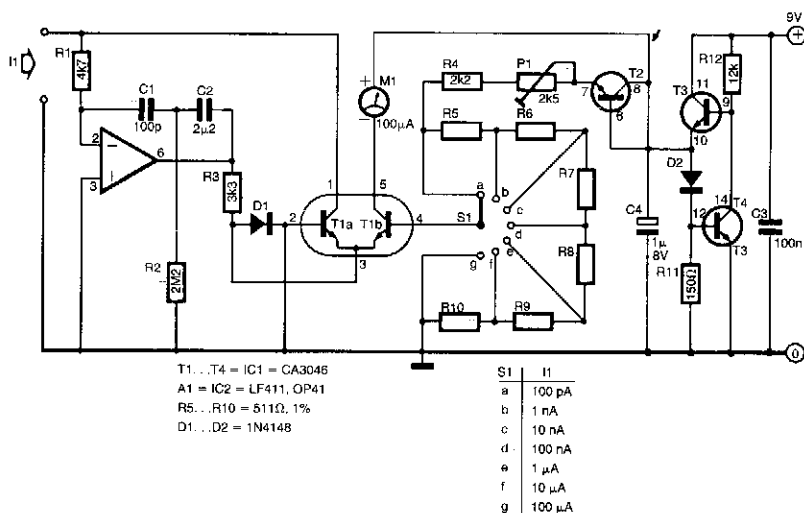
POPULAR ELECTRONICS

FIG. 55-19

The circuit is built around a 741 general-purpose op amp that is configured as a voltage follower; with the components shown, the op amp has a voltage gain of one. The output of the 741 is used to drive a $50\text{-}\mu\text{A}$ meter movement. Potentiometer R7 is used to zero the meter and R6 sets the meter's full-scale reading.

Calibrating the meter is a snap. With no input applied to the circuit, set R6 to mid-position and adjust R7 to zero the meter. Once that is done, apply a positive 1-Vdc voltage to the input and adjust R6 for a full-scale reading. The voltmeter can be adjusted to read both positive and negative voltages by adjusting R7 for a center scale reading at the meter's zero position and a positive 1-V reading at the meter's full-scale position.

LOW-CURRENT AMMETER

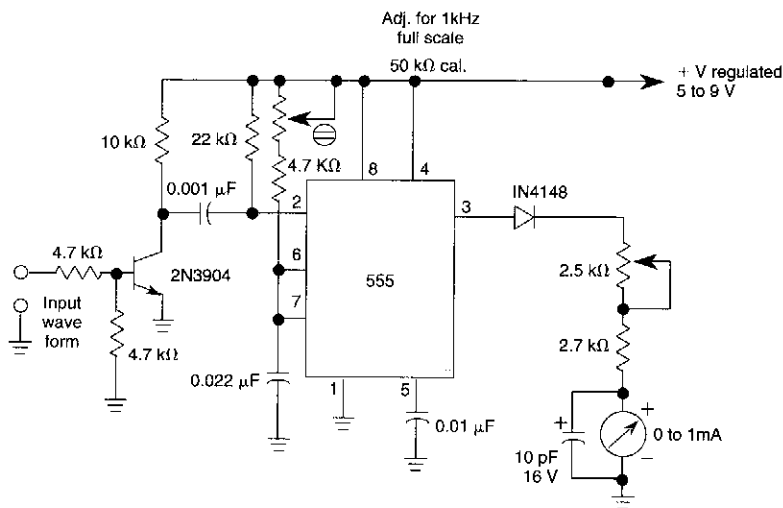


303 CIRCUITS

FIG. 55-20

Without using high-value precision resistors, this circuit uses a current mirror, T1a/T1b. Currents of 100 pA can be measured with this circuit. M1 is a 100-mA meter. Make sure to use a high-quality PC board and low-leakage circuit construction.

ANALOG FREQUENCY METER

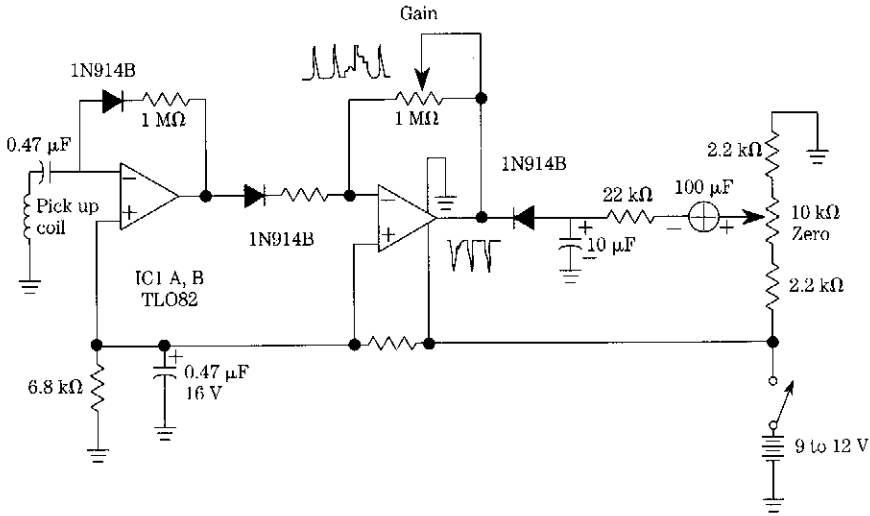


WILLIAM SHEETS

FIG. 55-21

This 1-kHz linear-scale analog frequency meter circuit uses the 555 as a pulse counter. Frequency is read on M1, (or 1 mA meter) which can be calibrated to read 0 to 1 kHz.

ELECTROMAGNETIC FIELD SENSOR

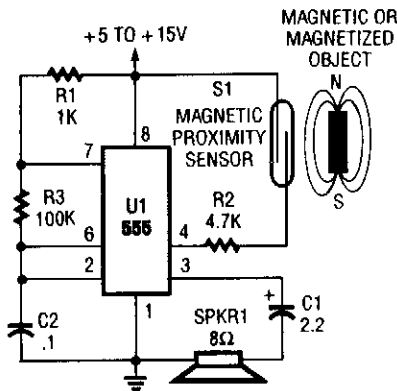


WILLIAM SHEETS

FIG. 55-22

A telephone pick-up coil is used as a sensing coil. Any 60-Hz hum picked up by the sensing coil is rectified, amplified, and detected, and then drives a meter.

MAGNETIC PROXIMITY SENSOR

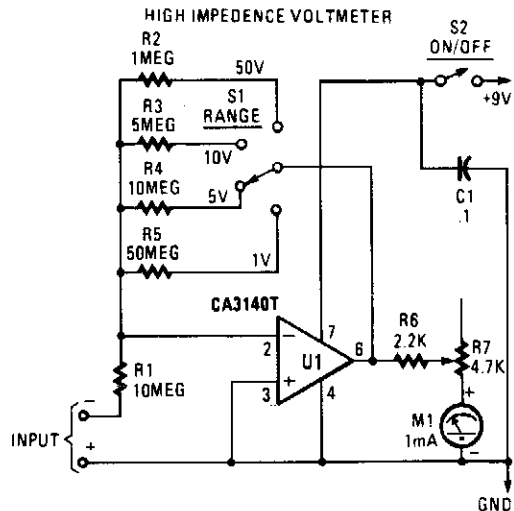


POPULAR ELECTRONICS

FIG. 55-23

A magnetic reed switch enables a 555 oscillator, which drives a speaker. C2 can be varied for different tone frequencies.

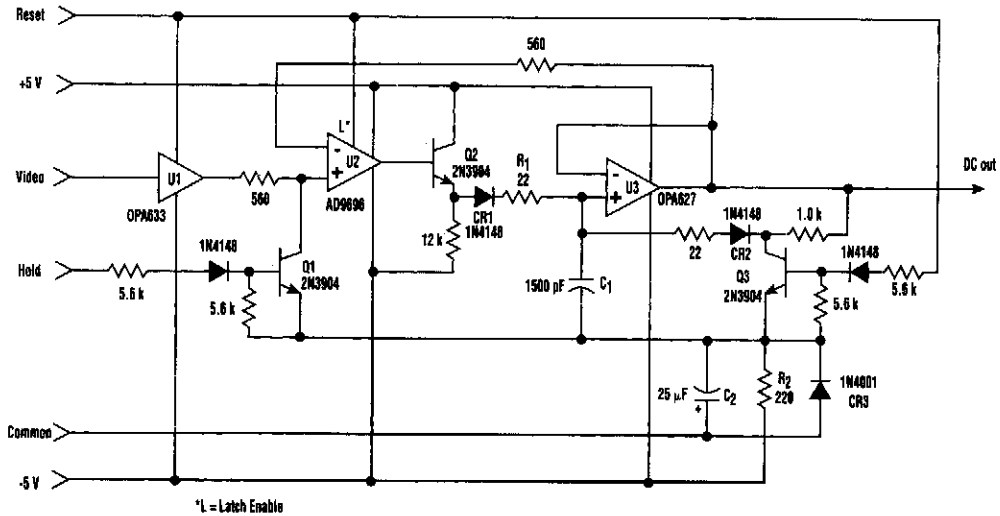
HIGH-IMPEDANCE VOLTMETER



POPULAR ELECTRONICS

FIG. 55-24

FAST VIDEO SIGNAL AMPLITUDE MEASURER

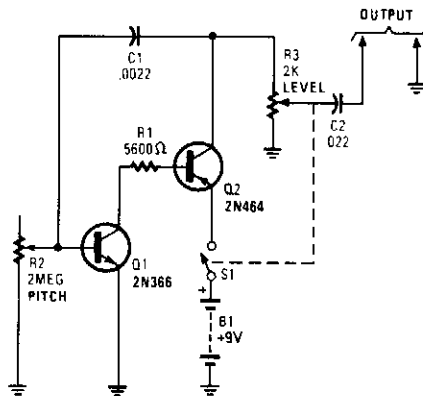


ELECTRONIC DESIGN

FIG. 55-25

Video-signal amplitude can be measured with this simple circuit, which is basically a modified standard peak detector. The device can verify RGB generated by video RAMDACs. U1 is a high-speed buffer and U2 is a latched comparator. C1 is a hold capacitor. Reset is performed by Q3. U2 has a latch that maintains the last comparator state. The reset holds the comparator output low during the reset operation. The dc output voltage is equal to the signal's maximum amplitude.

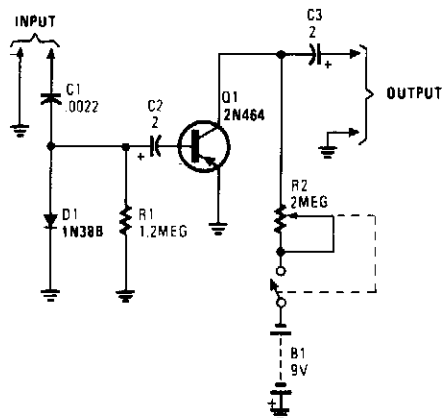
SIGNAL GENERATOR



POPULAR ELECTRONICS

FIG. 55-26

SIMPLE SIGNAL TRACER



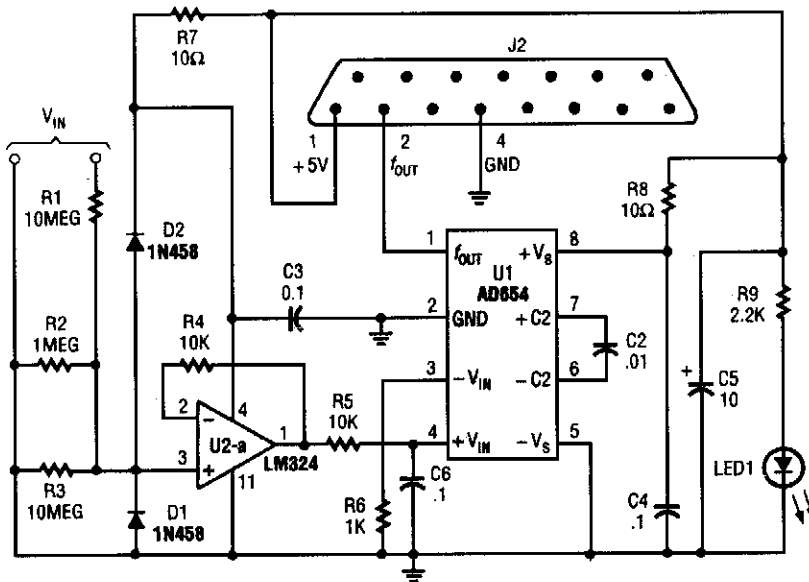
POPULAR ELECTRONICS

FIG. 55-27

Useful for troubleshooting audio, video, and lower frequency RF amplifiers, this circuit generates a signal that is rich in harmonics.

In this circuit, C1/D1/R1 form an envelope detector. C2 couples audio to the base of Q1. R2 can be adjusted for the desired gain.

DVM ADAPTER FOR PC

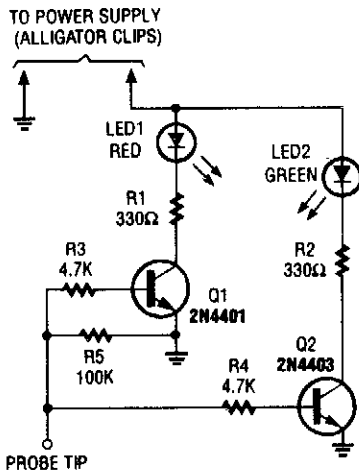


POPULAR ELECTRONICS

FIG. 55-28

The adapter consists of a voltage to frequency adapter with a signal conditioner and protection circuit. J2 connects to the game port of a PC. See reference listed for software for use with this circuit.

SIMPLE DIGITAL LOGIC PROBE

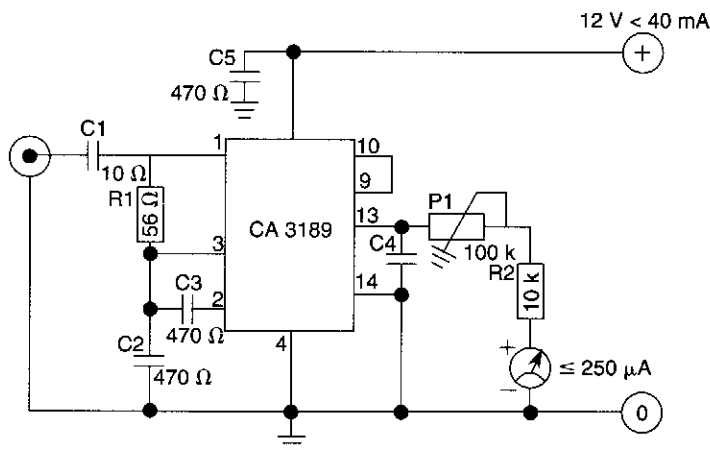


POPULAR ELECTRONICS

FIG. 55-29

The design of the digital logic probe centers around a pair of complementary bipolar transistors, which, in this application, are used as electronic switches.

S METER FOR COMMUNICATIONS RECEIVERS



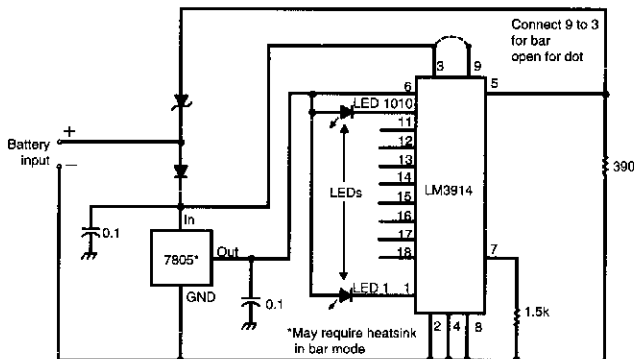
303 CIRCUITS

FIG. 55-30

Because many amateur receivers are fitted with an S meter that functions far from logarithmically, the proposed circuit should be a welcome extension of such receivers. Although ICs such as the CA3089 or the CA3189 are not in common use anymore, they serve a useful purpose in the meter circuit, because, apart from a symmetric limiter, a coincidence detector, and an AFC amplifier, they contain a very good logarithmic amplifier-detector.

As is seen, the circuit is fairly simple, but remember that these ICs operate up to about 30 MHz; the wiring of the meter and its connections in the receiver should be kept as short as possible.

LED EXPANDED SCALE VOLTMETER

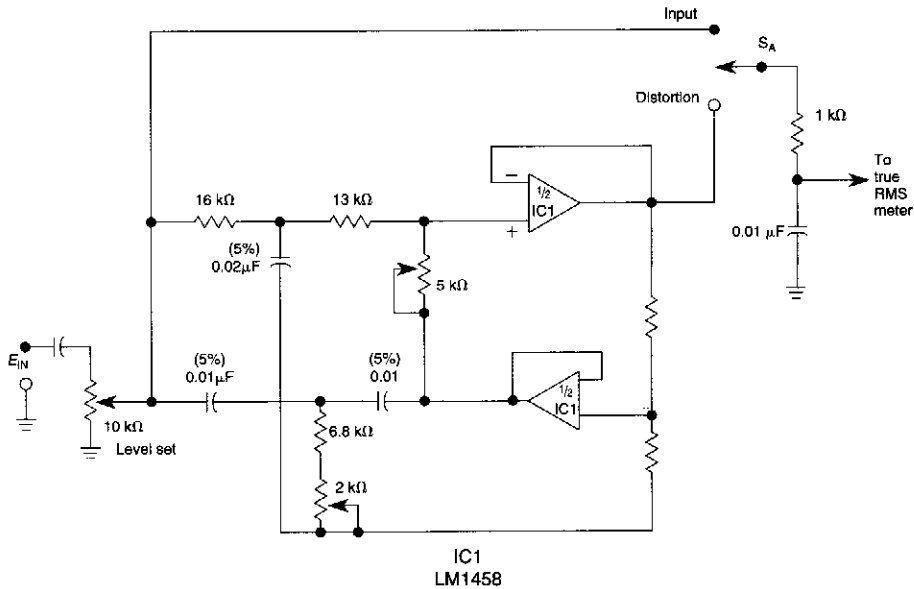


73 AMATEUR RADIO TODAY

FIG. 55-31

A 10-V zener diode is used to expand the scale of a 0- to 5-V voltmeter to a 10- to 15-V voltmeter. The LED bar graph lights one segment per 0.5-V input above 10 V. The 7805 IC provides a 5-V reference and 5 V for the bar graph LEDs.

1-KHZ HARMONIC DISTORTION METER

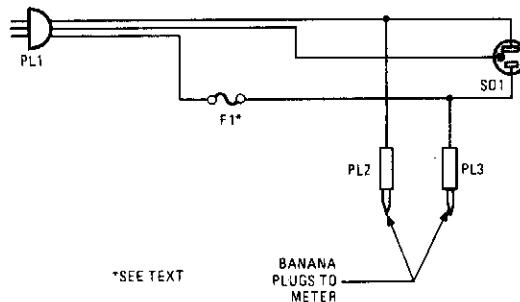


WILLIAM SHEETS

FIG. 55-32

The circuit useful for distortion measurements notches out the fundamental frequency of 1 kHz to allow measurement of the residual level of harmonics. First a true RMS meter is used to measure the 1-kHz input level E_{in} by setting S_A to the input position. Then, S_A is placed in the distortion position and the 2 k potentiometer is adjusted for a null. The residual reading is noted. The THD is then calculated based on the formula:

LINE VOLTAGE-TO-MULTIMETER ADAPTER

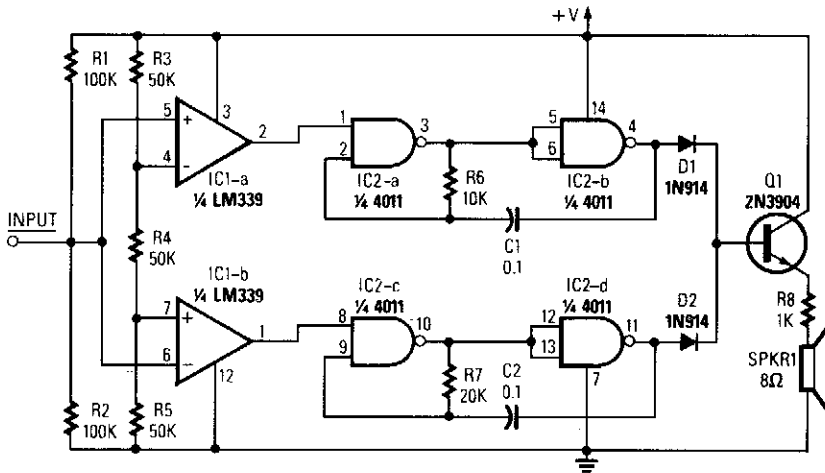


POPULAR ELECTRONICS

FIG. 55-33

This ac line-to-multimeter adapter can make checking line voltage safer. You can use it to find taxing loads on your household wiring.

AUDIBLE LOGIC TESTER



1989 R-E EXPERIMENTERS HANDBOOK

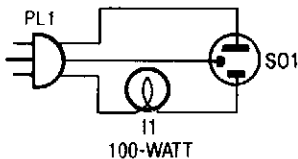
FIG. 55-34

The tester provides an audible indication of the logic level of the signal presented to its input. A logic high is indicated by a high tone, a logic low is indicated by a low tone, and oscillation is indicated by an alternating tone. The input is high impedance, so it will not load down the circuit under test. It can be used to troubleshoot TTL or CMOS logic.

The input section determines whether the logic level is high or low, and enables the appropriate tone generator; it consists of two sections of an LM339 quad comparator. One of the comparators (IC1-a) goes high when the input voltage exceeds 67% of the supply voltage. The other comparator goes high when the input drops below 33% of the supply. Resistors R1 and R2 ensure that neither comparator goes high when the input is floating or between the threshold levels.

The tone generators consist of two gated astable multivibrators. The generator built around IC2-a and IC2-b produces the high tone. The one built around IC2-c and IC2-d produces the low tone. Two diodes, D1 and D2, isolate the tone-generator outputs. Transistor Q1 is used to drive a low-impedance speaker.

SHORT TESTER FOR 120-V EQUIPMENT



Do you deal with old equipment in unknown condition? If so, this little circuit could keep you from causing further harm to already shorted devices.

POPULAR ELECTRONICS

FIG. 55-35

DIGITAL PRESSURE GAUGE

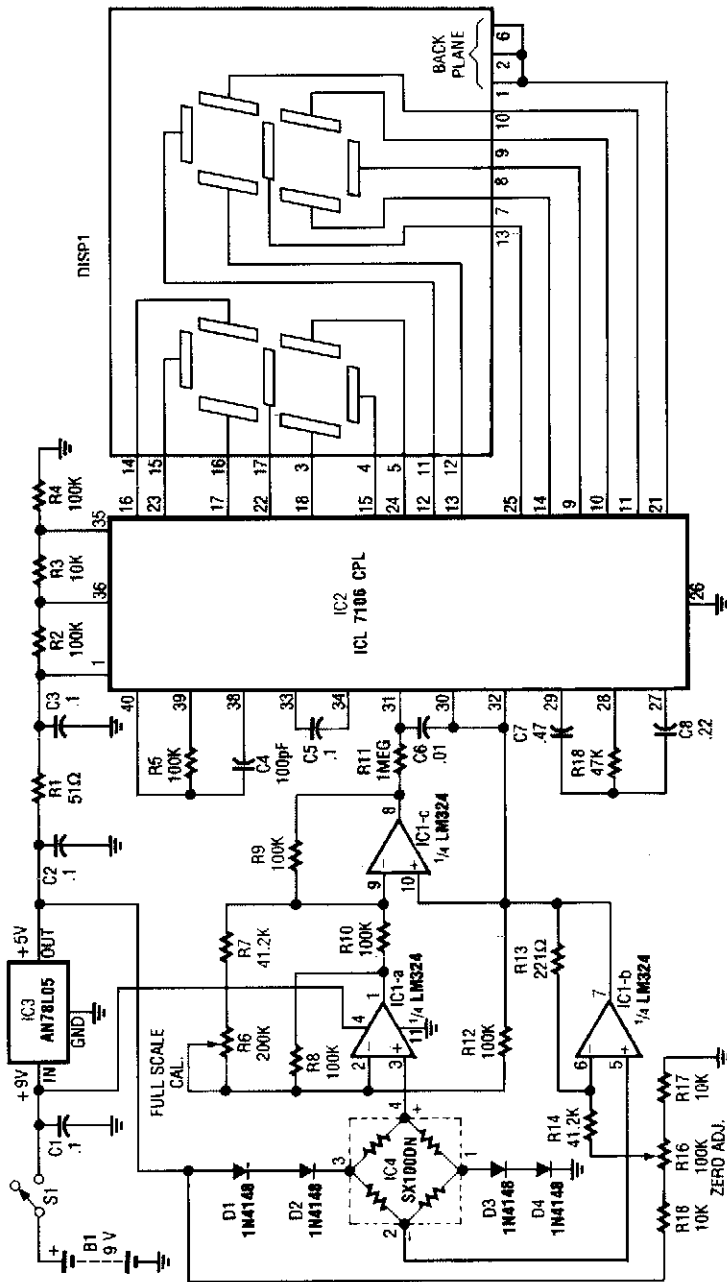
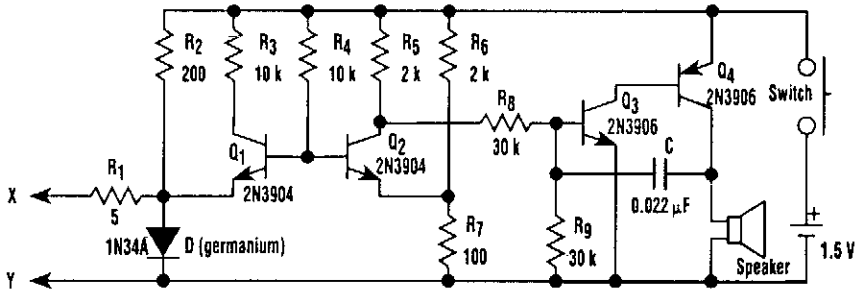


FIG. 55-36

1982 R-E EXPERIMENTERS HANDBOOK

This electronic pressure gauge uses a Wheatstone bridge-type pressure sensor to drive a 3½ digit A/D converter and a display. IC1 is a pump (quad) that interfaces the bridge sensor to the A/D converter. R16 provides zero adjustment and R6 provides full-scale calibration. D1 thru D4 provide temperature compensation.

SIMPLE SHORT FINDER



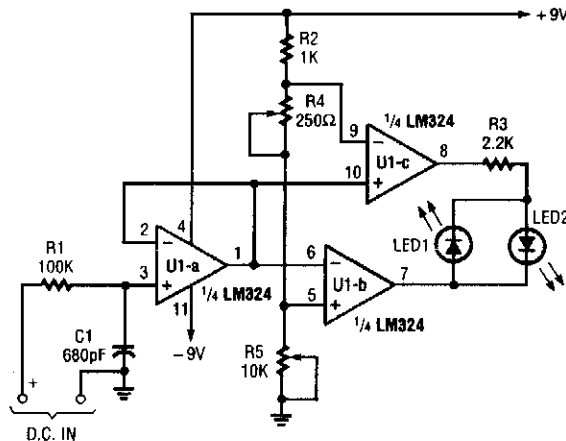
ELECTRONIC DESIGN

FIG. 55-37

Transistors Q1 and Q2, together with resistors R1 through R7, make up the input balancing stage, which senses the resistance between points X and Y. The input stage is essentially a bridge, consisting of R1, R2, R6, R7, and the resistance between points X and Y.

Transistors Q3 and Q4 and their associated passive components form a buzzer, which sounds when the tester detects a short. The buzzer is controlled by the output from Q2. When the input resistance is high (more than about 10 Ω), Q2 turns on, so its collector potential is close to ground, and the buzzer remains off. When the input resistance is sufficiently low, Q2 turns off, and the buzzer sounds. The frequency of the sound, which is about 1000 Hz, can be adjusted by varying the value of capacitor (C).

VOLTAGE MONITOR



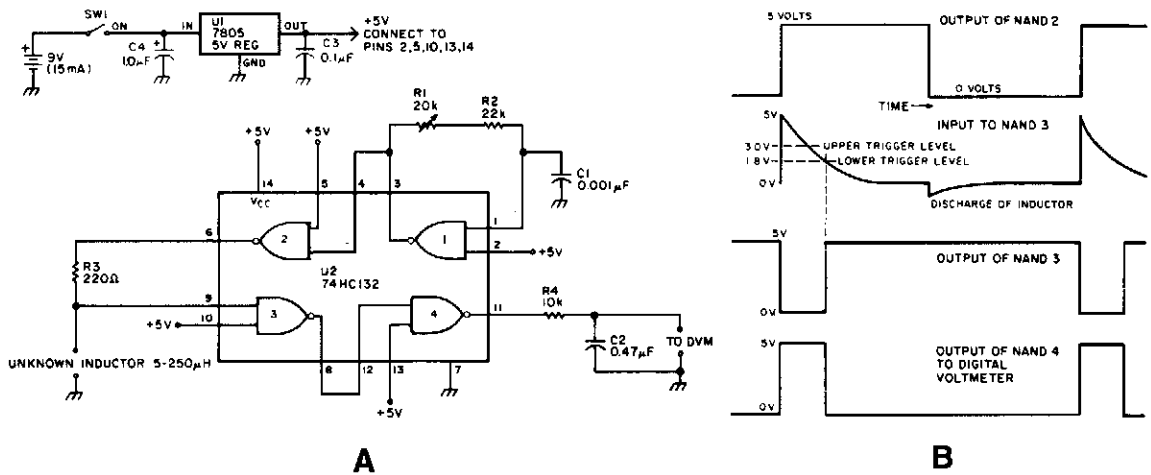
The adjustable voltage monitor can be used to check whether the voltage in a circuit remains within a given range.

POPULAR ELECTRONICS

FIG. 55-38

If the dc voltage is less than the voltage at pin 5 of U1-B, then LED 1 will light. If the voltage is over 5V, LED2 will light. If the voltage is within the window set by R4 and R5, neither LED will light. This circuit is useful as an under-or-over voltage monitor.

LINEAR INDUCTANCE METER

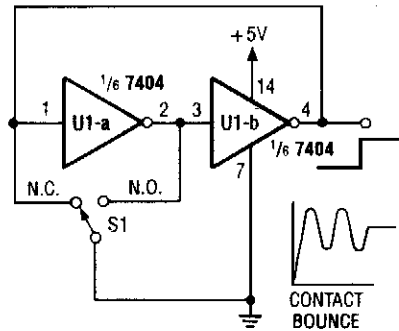


73 AMATEUR RADIO TODAY

FIG. 55-39

Using the fact that in an RL circuit, the pulse width seen across the inductor is proportional to the inductance, this circuit reads this indirectly on a DVM. The range is about 5 to 250 μH .

DEBOUNCE CIRCUIT

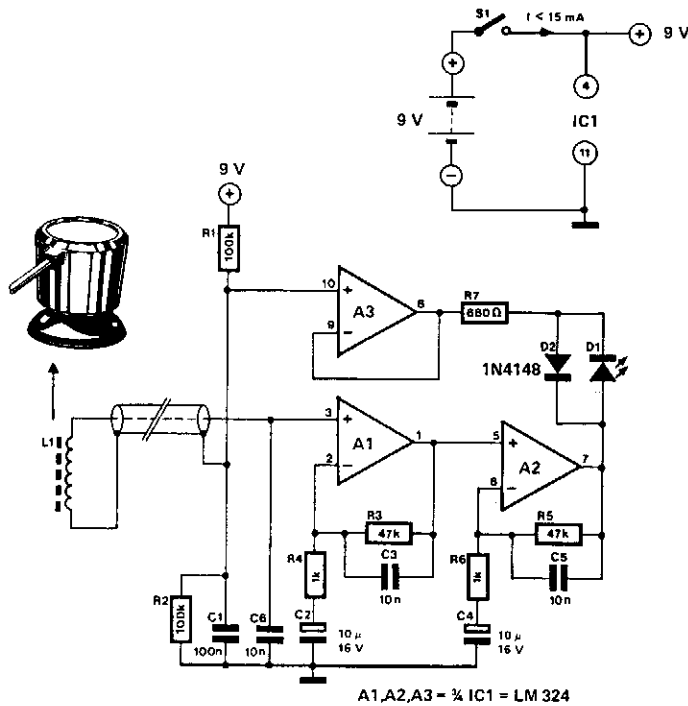


POPULAR ELECTRONICS

FIG. 55-40

This debounce circuit will keep the electrical noise generated by the mechanical switch (S1) from reaching the next circuit in line.

ac WIRING LOCATOR

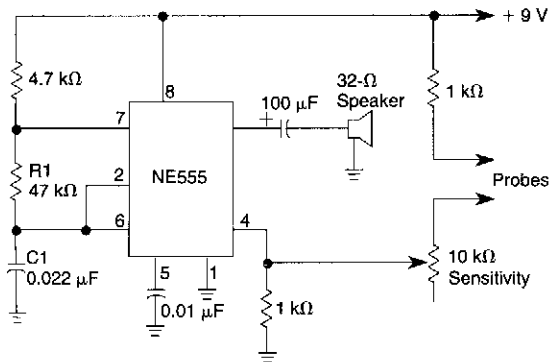


303 CIRCUITS

FIG. 55-41

This circuit uses a pick-up coil to sense the 50- or 60-Hz field around wiring-carrying ac. L1 is a telephone pick-up coil with a suction pad. D1 (LED) lights during positive half waves, indicating that ac current is present.

AUDIBLE CONTINUITY TESTER

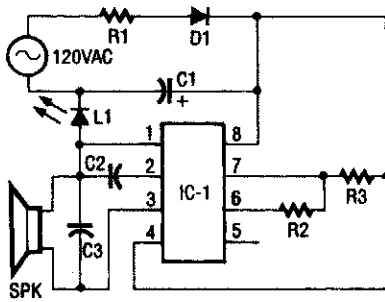


This 555 oscillator sounds a tone when continuity exists between the probes. Oscillator frequency is determined by the values of R1 and C1.

WILLIAM SHEETS

FIG. 55-42

ac OUTLET TESTER



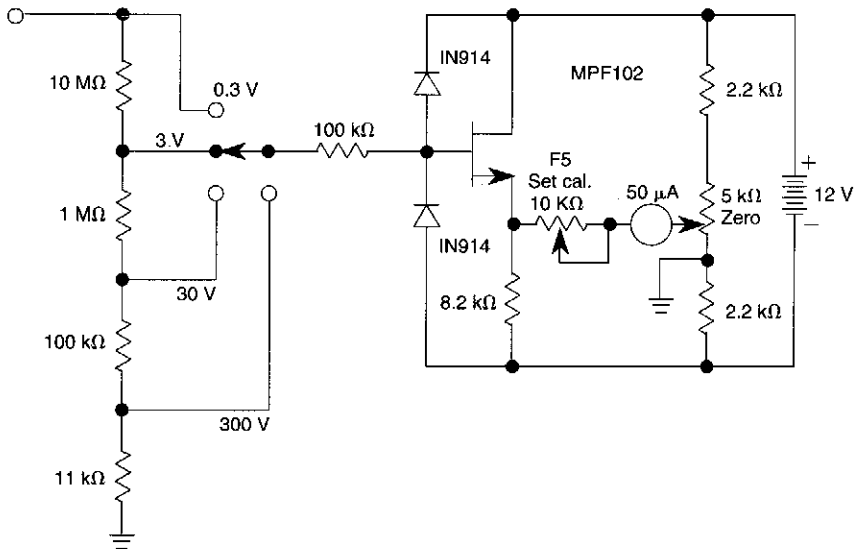
- C1 50 μ F Electrolytic Capacitor
 C2,C3 .. .047 μ F Disc Capacitor
 D1 1N4003 Diode
 IC1 555 Timer IC
 L1 Jumbo Red LED
 R1 3.9K, 1 watt Resistor
 R2 2K, 1/4 watt Resistor
 R3 4.7K, 1/4 watt Resistor
 SPK Piezoelectric Speaker

1991 PE HOBBYIST HANDBOOK

FIG. 55-43

The tester consists of a rectifier circuit and a multivibrator circuit. The ac voltage is half-wave rectified by diode D1 and stored in capacitor C1. Resistor R1 is used to limit the current through D1 to a safe value. The voltage stored across C1 supplies IC1 operating power. The IC, the versatile 555 timer, is configured to operate as a multivibration whose operating frequency is determined by C2, R2, and R3. The output of IC1, on pin 3, is coupled to a piezoelectric speaker (SPK), which gives an indication of the presence of ac. An LED (L1) also lights when ac is present.

JFET VOLTMETER

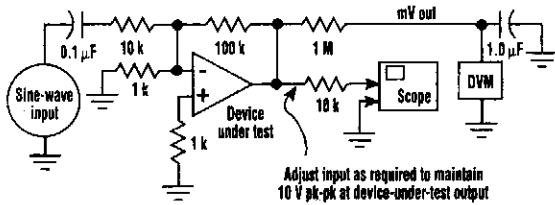


WILLIAM SHEETS

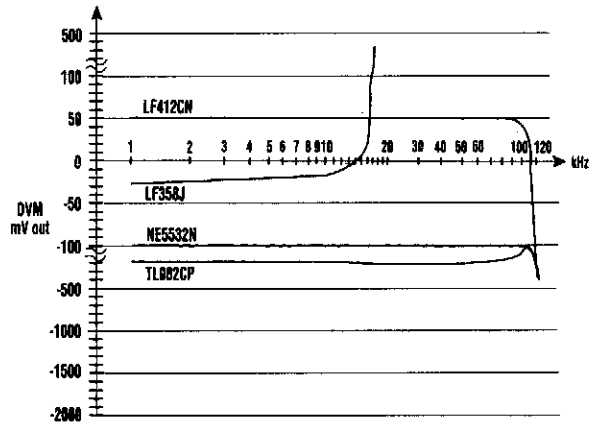
FIG. 55-44

This very simple voltmeter circuit uses a 50- μ A meter in a bridge circuit. It is useful for noncritical applications.

CHECK FOR OP-AMP dc OFFSET SHIFT



LF412CN		LF358J		NE5532N		TL082CP	
kHz	mV out	kHz	mV out	kHz	mV out	kHz	mV out
1	51	1	-23	1	-101	1	-313
10	50	10	-14	10	-101	10	-314
100	44	32	-9	100	-109	50	-301
110	9	13	-4	110	-152	60	-296
115	-358	14	4	120	-378	70	-279
120	-502	15	7			80	-258
130	-1374	16	58			90	-227
140	-1741	17	119			100	-184
		17.5	156			110	-125
		18	494				



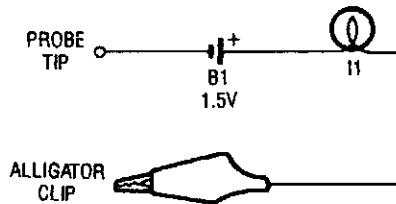
ELECTRONIC DESIGN

FIG. 55-45

The dc values of op-amp offsets can't always be taken for granted when delivering ac outputs. No device is ever exactly symmetrical for maximum positive slew rate versus maximum negative slew rate. Consequently, there is always some range of output slew rates in which the device used limits in one direction more severely than in the other. What results in rectification of the ac signal and an apparent shift of the dc offset.

This test circuit can check for the shift phenomenon. The accompanying table and graph illustrate the results obtained for four devices, all of different types. As frequency and slew rate are increased, the effect can be either relatively abrupt (LF412CN and NE5532N) or relatively gradual (LF358J and TL082CP).

CONTINUITY TESTER FOR LOW-RESISTANCE CIRCUITS

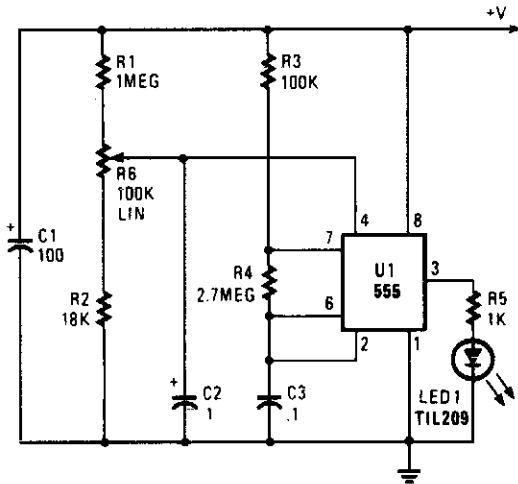


POPULAR ELECTRONICS

FIG. 55-46

The continuity tester is little more than a battery and a lamp connected in series, with one end of the string terminated in an alligator clip, and the other end connected to the probe tip.

SUPPLY VOLTAGE MONITOR

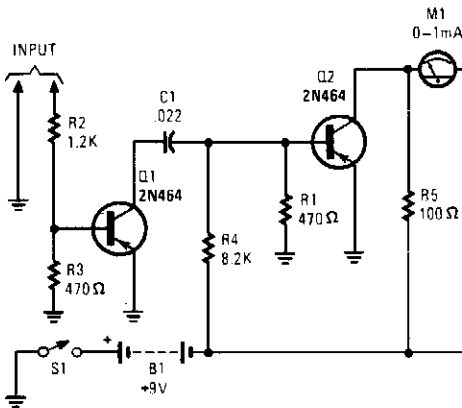


Excessive voltage causes U1 to oscillate, causing LED1 to flash. R6 sets the desired trip level.

POPULAR ELECTRONICS

FIG. 55-47

AUDIO-FREQUENCY METER CIRCUIT

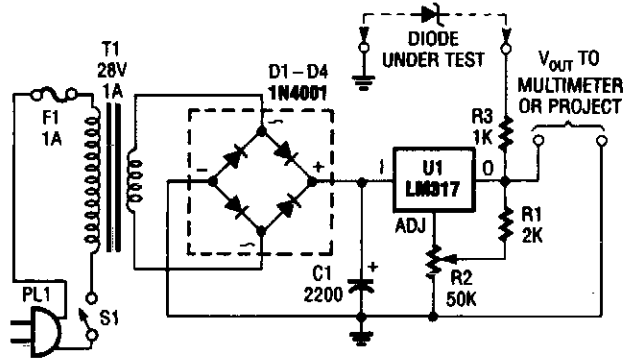


This simple tachometer circuit uses a pulse shaper Q1 to drive M1, a 0- to 1- μ A meter. C1 can be varied to optimize operation.

POPULAR ELECTRONICS

FIG. 55-48

ZENER DIODE TEST SET



POPULAR ELECTRONICS

FIG. 55-49

This versatile circuit can be used to test zener diodes or act as a stand-alone power supply. It requires a voltmeter to work as a zener tester.

56

Metal-Detector Circuits

The sources of the following circuits are contained in the Sources section, which begins on page 675. The figure number in the box of each circuit correlates to the entry in the Sources section.

Metal Pipe Detector

Low-Cost Metal Detector for Experimenters

Metal Locator

METAL PIPE DETECTOR

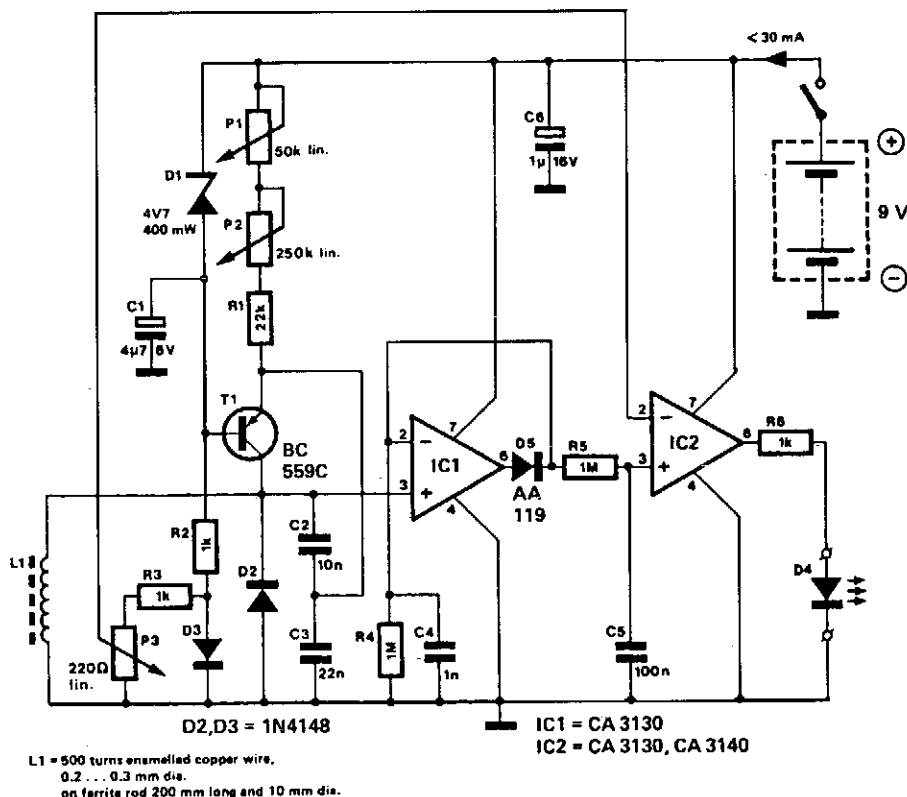
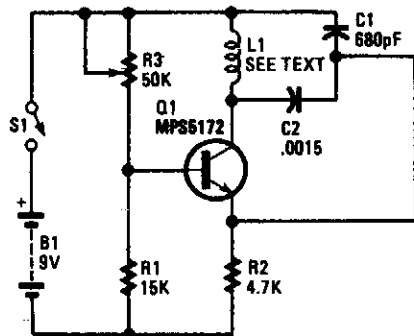


FIG. 56-1

303 CIRCUITS

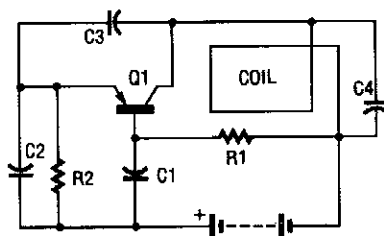
This circuit uses a 15-kHz oscillator coil. When metal placed in the energy field is withdrawn, the oscillator voltage is rectified and compared to a reference. A drop in oscillator voltage therefore operates comparator IC2 and D4 (LED) extinguishes.

LOW-COST METAL DETECTOR FOR EXPERIMENTERS



This circuit is an oscillator with L1 being a 4" diameter coil of 35 turns of #26 magnet wire. Metal in proximity to L1 will cause the oscillator to shift frequency. An AM transistor radio is used to detect the frequency shift.

METAL LOCATOR



1991 PE HOBBYIST HANDBOOK

FIG. 56-3

The metal locator uses a one-transistor oscillator and an AM radio to detect metal. Transistor Q1 is a pnp transistor that is connected to an oscillator. Resistor R1 provides the correct base bias and capacitors C3 and C4 and the search coil determine the frequency of oscillation.

Capacitors C3 and C4 are fixed in value, but the search coil is an inductor that varies in inductance (and thus varies the oscillator frequency) as metal is brought near it. The oscillator frequency is rich in harmonics and its output falls within the AM broadcast band. The metal detector works by combining its output with the local oscillator of the AM radio. The resulting net output of the radio is a low-frequency audio tone that changes—gets higher or lower—as metal is brought near or taken away from the search coil. Commercial metal detectors use two oscillators, so they don't require an AM radio. This metal locator provides an inexpensive alternative to an expensive commercial metal locator.

C1, C2	0.01- μ F Capacitor (103)
C3, C4	0.001- μ F Capacitor
Q1	2N3906 Transistor
R1	47-k Ω Resistor
R2	100- Ω Resistor

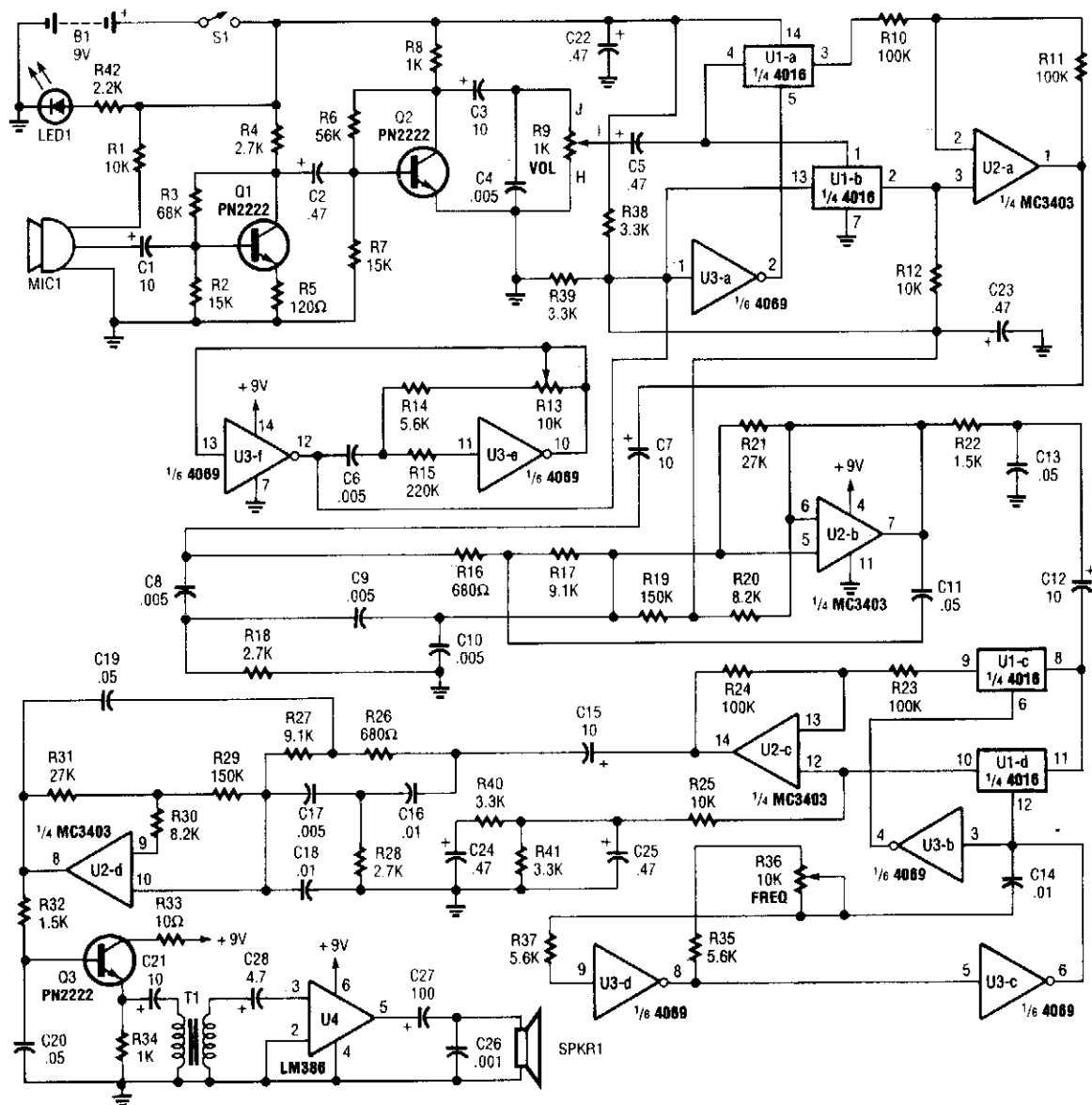
57

Miscellaneous Treasures

The sources of the following circuits are contained in the Sources section, which begins on page 675. The figure number in the box of each circuit correlates to the entry in the Sources section.

Voice Disguiser	dc Output Chopper
Soldering Iron Control	ac Isolation Transformers Use
Furnace Fuel Miser	Inexpensive 12-V Transformers
Personal Message Recorder	ac Line Voltage Booster
Four-Input Minimum/Maximum Selector	Octal DA Converter
Soil Heater for Plants	1-dB Pad
Key Illuminator	Pseudo-Random Bit Sequence Generator
Radio Commercial Zapper	Simple External Microphone Circuit
Audio Limiter	for Transceivers
Analog De-Glitch Circuit	JFET Chopper Circuit
Acoustic Field Generator	Audio Memo Alert
Suppress Jitter with Hysteresis	Octave Equalizer
Heartbeat Monitor	Complementary or Bilateral ac
Self-Retriggering Timed-On Generator	Emitter-Follower Circuit
Frequency Divider for Measurements	Capacitor Hysteresis Compensator
Video, Power, and Channel-Select	Amplifier Cool-Down Circuit I
Signal Carrier	NE602 Input Circuits
7805 Turn-On Circuit	NE602 Output Circuits
AF Drive Indicator	Basic Latch Circuits
Phase-Locked Loop	Bootstrap Circuit
Capacitance Multiplier	Simple Schmitt Trigger
Practical Differentiator	Amplifier Cool-Down Circuit II
Hum Reducer for Direct-Conversion Receivers	NE602 dc Power Circuits
Preamp Transmit-Receive Sequencer	Inrush Current Limiter

VOICE DISGUISER



A complete schematic diagram of the voice disguiser is shown. Microphone MIC1 picks up the voice signal and feeds it to an audio amplifier, consisting of Q1 and Q2, and a few support components. The amplifier has a low-pass gain response that limits the voice frequencies to 5 kHz or lower.

VOICE DISGUISER (Cont.)

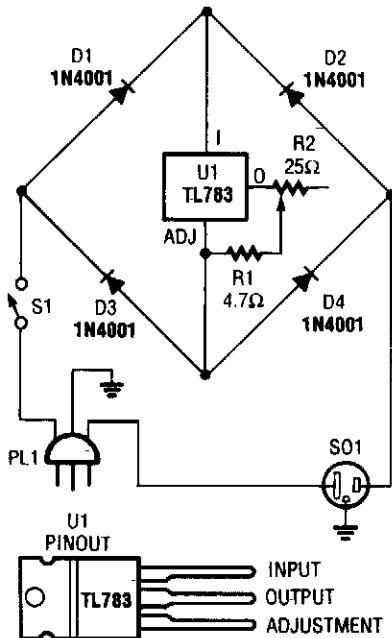
The voice signal is then fed to the input of the first balanced modulator, which is comprised of U1-a, U1-b, U2-a, and U3-a. The output of the first 4-kHz oscillator, built around U3-f and U3-e, is fed to the carrier input of the first modulator. The frequency of the first oscillator is controlled by the setting of potentiometer R13. The modulator output—a double-sideband suppressed-carrier signal centered on 4 kHz—is then filtered by the first 5-kHz low-pass filter, formed by U2-b, which eliminates the upper-sideband signals.

At this point, the voice frequency spectrum is inverted (e.g., the frequencies that were low now become high, and vice versa), making the voice signal completely unintelligible. The output of the first low-pass filter is fed to a second modulator formed by U1-c, U1-d, and U3-b, where it is frequency modulated with the output of the second carrier oscillator, comprised of U3-c and U3-d; the frequency of the second oscillator is controlled by potentiometer R36.

The output of the second modulator is filtered by the second low-pass filter, which consists of U2-d and few support components, and amplified by Q3. The voice output signal from Q3 is fed to U4 (an LM386 low-voltage, audio-power amplifier) through an impedance-matching transformer, T1. The output of U4 is then used to drive SPKR1 (an 8- Ω speaker).

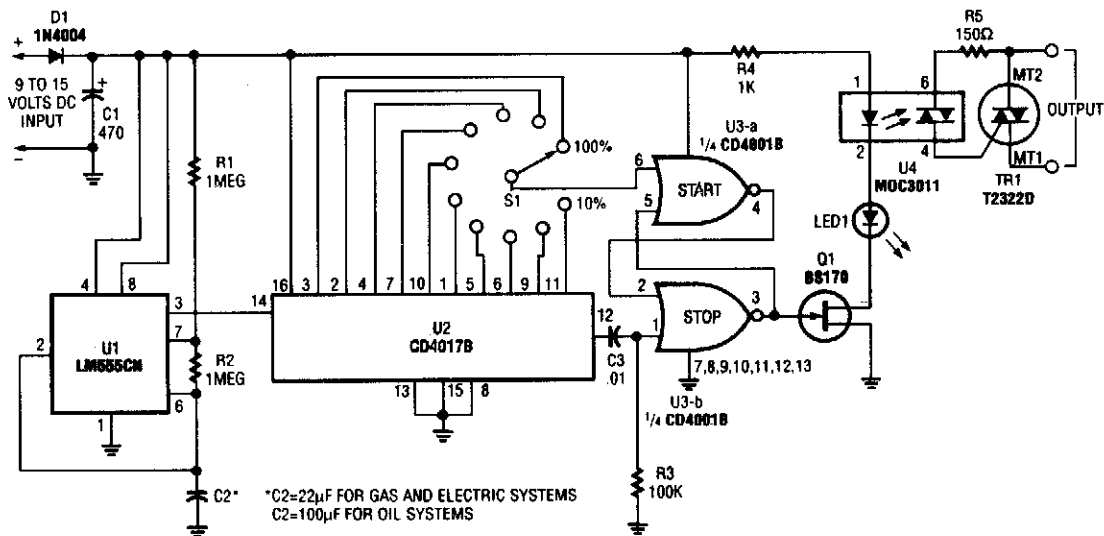
In operation, if both carrier oscillators are set to the same frequency, the voice signal from the speaker will be an exact duplicate of the input signal from the microphone. However, if the frequency of the second oscillator is varied (via R36), the output voice signal also shifts in frequency. That makes the voice reproduced by the speaker sound higher- or lower-pitched than normal.

SOLDERING IRON CONTROL

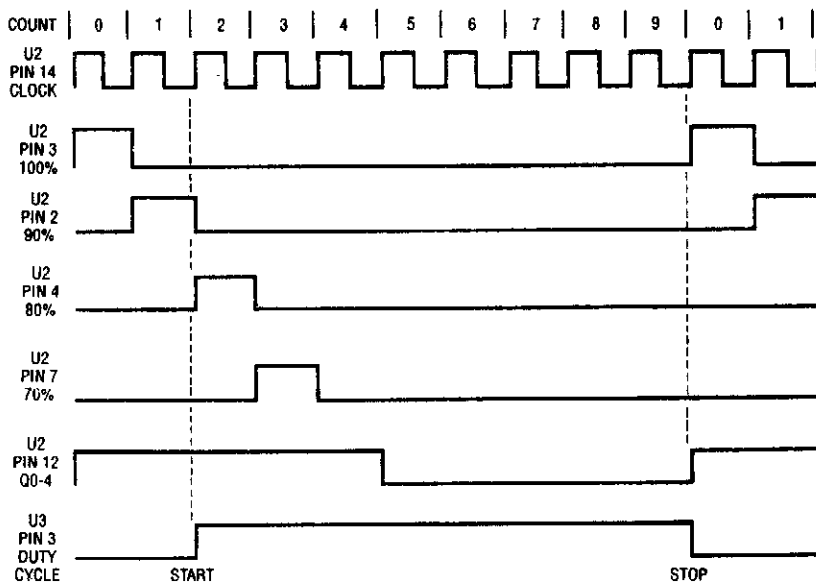


A current control to temperature regulate a soldering iron uses a high-voltage integrated regulator, TL783 (U1). With the component values specified, the circuit should be used with a soldering iron of 25 W or less.

FURNACE FUEL MISER



A



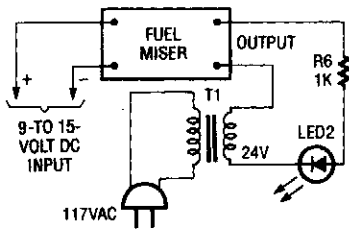
B

POPULAR ELECTRONICS

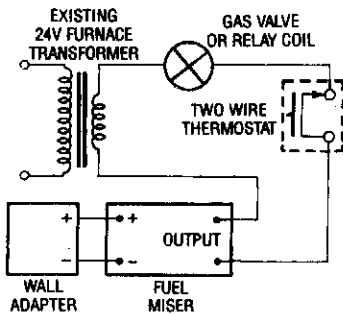
FIG. 57-3

A timer (LM555CN) and decode counter is used to generate duty cycles from 10% to 100% to control the time a heating system can operate. V2 is a decode counter that can be switched from 10% to 100% duty cycle. V3A and B form a latch that drive A1, LED1, and V4. The triac TRI is used as an ac switch, in series with the thermostat that controls the heating system.

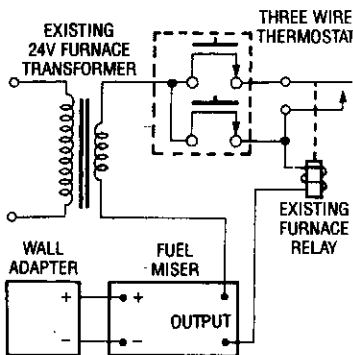
FURNACE FUEL MISER (Cont.)



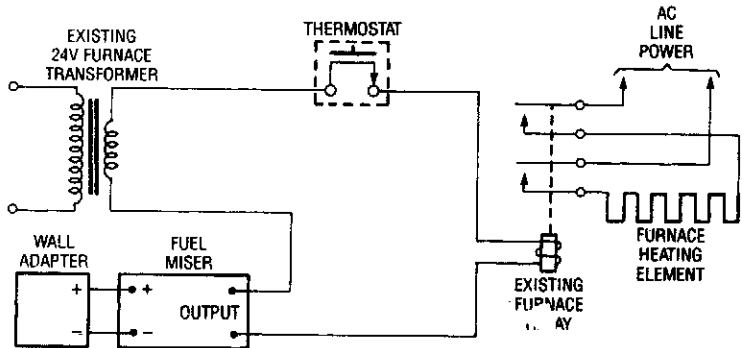
When the circuit is working properly, the output circuitry can be checked using a 24-volt step-down transformer, a 1k resistor, and an LED. Together those components simulate the load that the Fuel Miser sees during normal operation.



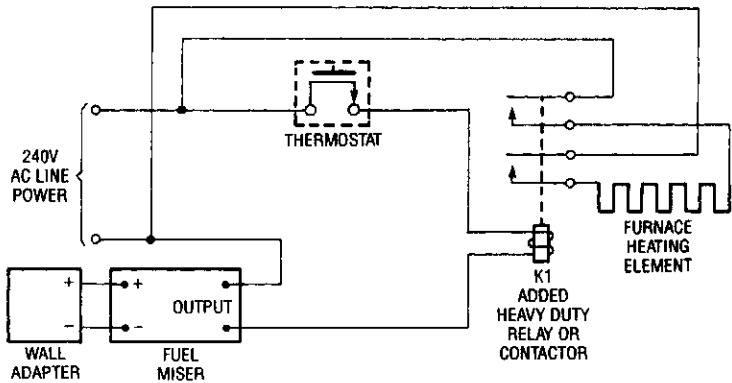
This drawing shows the Fuel Miser connected in series with the thermostat of a two-wire gas furnace that's powered by a 24-volt transformer.



Some oil-fired systems use three-wire thermostats to control the operation of the burner motor and ignition system by activating a relay. This is a typical installation for such systems.

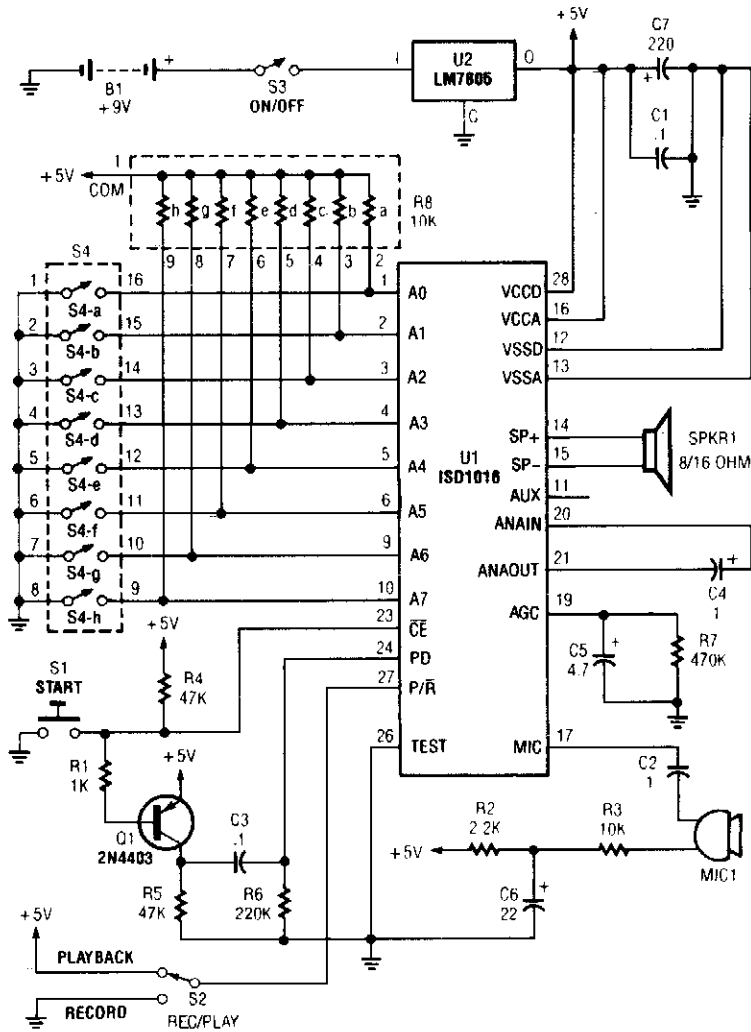


Electric-heating systems may or may not use a relay in the thermostat circuit. Those that do have a relay can be controlled by the Fuel Miser by wiring its output circuit in series with the relay coil connections as shown here.

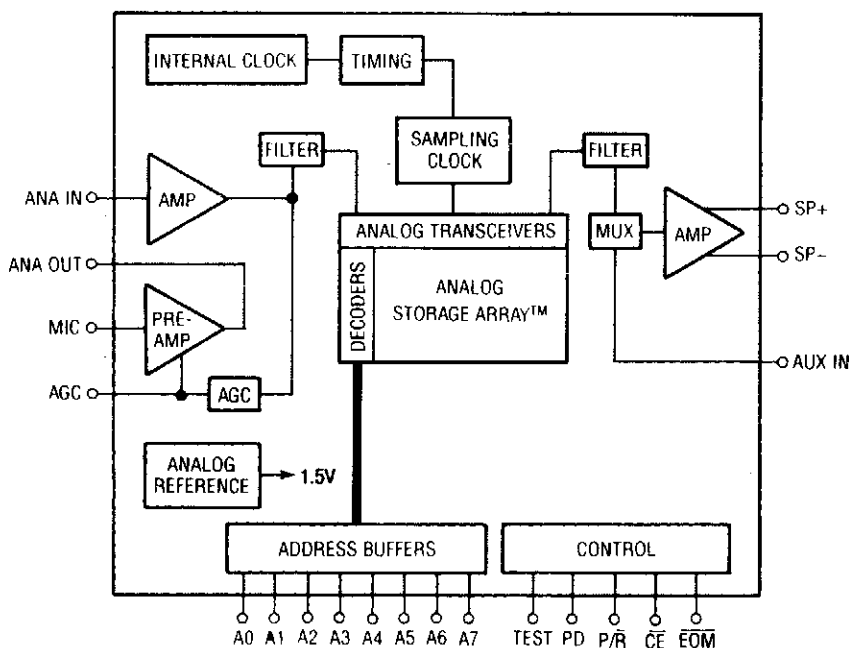


Electric-heating systems that do not contain a low-current thermostat (as in the previous installation), use a heavy-duty thermostat that directly feeds current to the heating element. For such systems, it will be necessary to install a heavy-duty relay (K1 in this example) to control the heavy heating-element current.

PERSONAL MESSAGE RECORDER



PERSONAL MESSAGE RECORDER (Cont.)



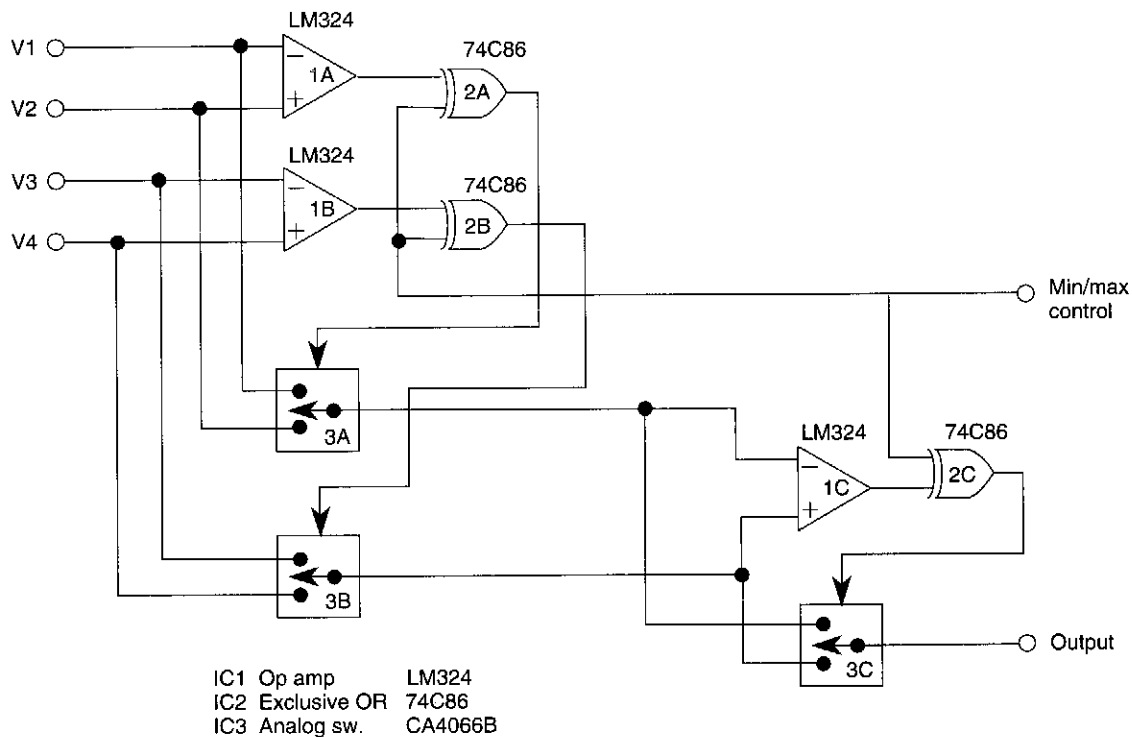
The personal message recorder is built around an ISD1016 CMOS voice messaging system, which does away with the cumbersome and expensive analog-to-digital and digital-to-analog conversion circuits.

A functional block diagram of the ISD1016 is shown. The ISD1016 contains all of the functions necessary for a complete message-storage system. The preamplifier stage accepts audio signals directly from an external microphone and routes the signals to the ANA OUT (analog out) terminal. An automatic-gain control (AGC) dynamically adjusts the preamplifier gain to extend the input signal range. Together, the preamp and AGC circuits provide a maximum gain of 24 dB. The internal clock samples the signal and, under the control of the address-decoding logic, writes the sampling to the analog-storage array. Eight external input lines allow the ISD1016's message space to be addressed in 160 equal segments, each with a 100-millisecond duration. When all address lines are held low, the storage array can hold a single, continuous, 16-second message.

However, there is a special addition to the POWERDOWN input (pin 24) of U1. If the internal memory becomes full during recording, an overflow condition is generated in order to trigger the next device. Once an overflow occurs, pin 24 must be taken high and then low again before a new playback of record operation can be started.

Transistor Q1, C3, R5, and R6 form a one-shot pulse generator that automatically clears any overflow condition each time that start switch (S1) is pressed. Switch S2 selects either the playback or the record mode. Switch S4—an 8-position (a-h) DIP switch—is included in the circuit to allow the circuit's record/playback time to be varied from 0 to 16 seconds. The maximum time available is when all 8 switch positions are closed (or set to the on position). Resistor network R8 (a-h) is included in the circuit to provide a pull-up function for the address lines, which thereby controls U1's record/playback time.

FOUR-INPUT MINIMUM/MAXIMUM SELECTOR



WILLIAM SHEETS

FIG. 57-5

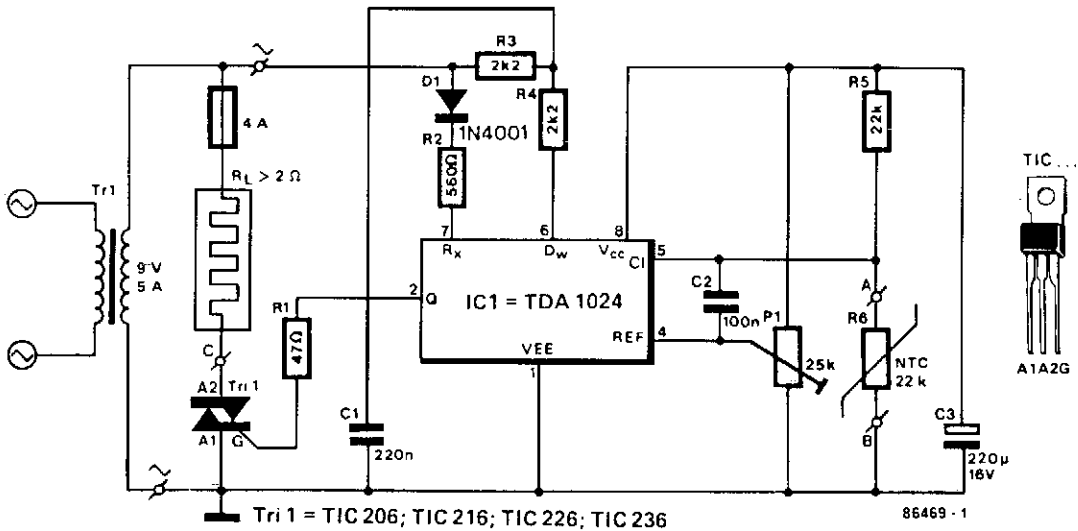
This circuit outputs the maximum (or the minimum) of the four input voltages V_1 , V_2 , V_3 , and V_4 . Each of these input voltages is in the range 0 to 5 V.

The output of the unit is the maximum of V_1 , V_2 , V_3 , and V_4 if the control voltage input is 5 V (i.e., logical 1). The output is the minimum of V_1 , V_2 , V_3 , and V_4 if the control input is zero.

By cascading N such units, one can select the maximum (or the minimum) of $3N + 1$ input voltages.

Thus if k is the number of input voltages, we need $\lceil (k+1)/3 \rceil$ units.

SOIL HEATER FOR PLANTS

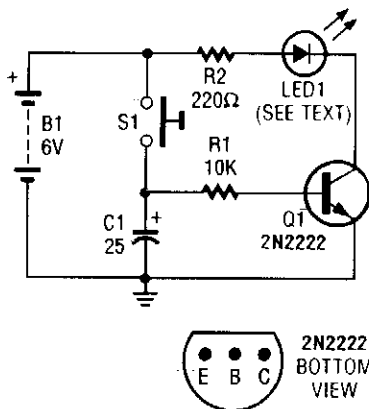


303 CIRCUITS

FIG. 57-6

A TDA1024 electronic thermostat senses soil temperature via thermistor R6. The circuit uses zero-crossing switching of the heater. The heater is made of elastic-coated steel wire. P1 is used to set the temperature. The heater should have 2 Ω or more resistance and operate from the 9-V transformer. About 40 W of heat is available.

KEY ILLUMINATOR

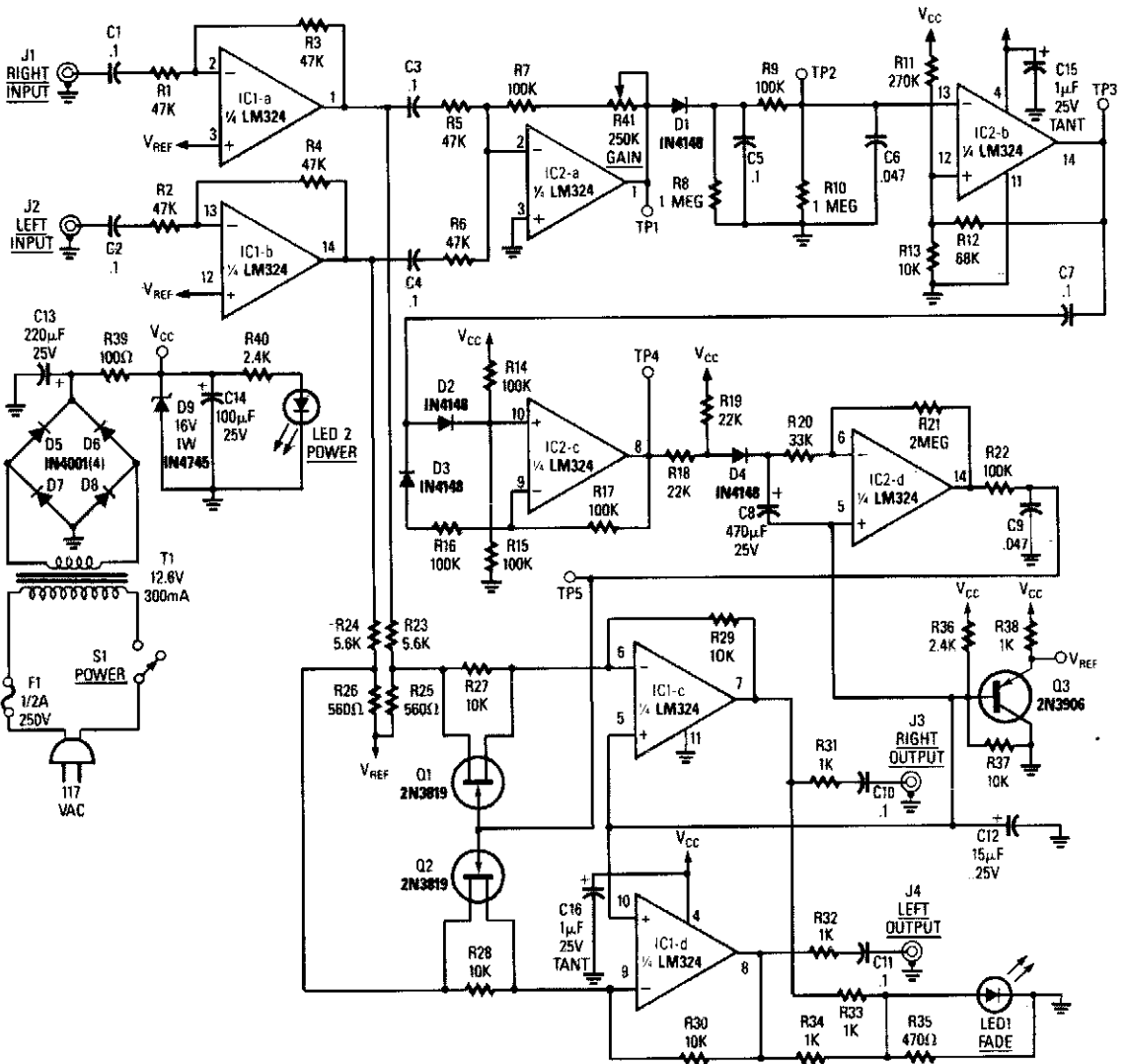


Used as a 10-second momentary illuminator, this circuit can be useful in other applications as well. Pressing S1 charges C1, which holds Q1 on and holds the LED lit for about 10 seconds.

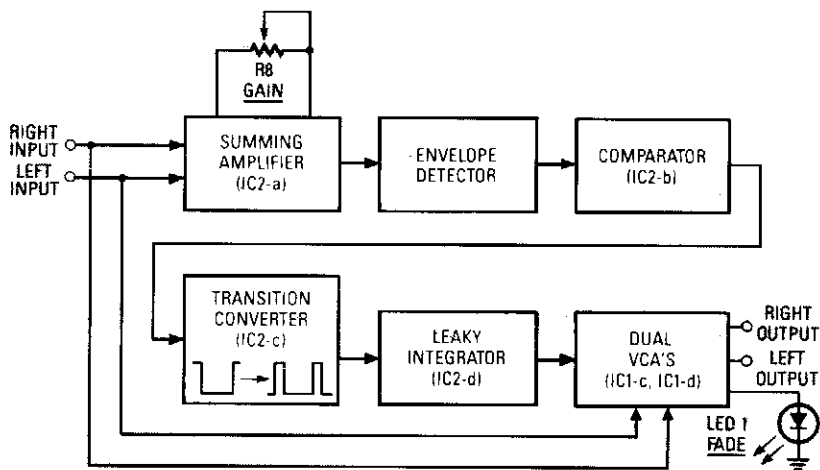
POPULAR ELECTRONICS

FIG. 57-7

RADIO COMMERCIAL ZAPPER



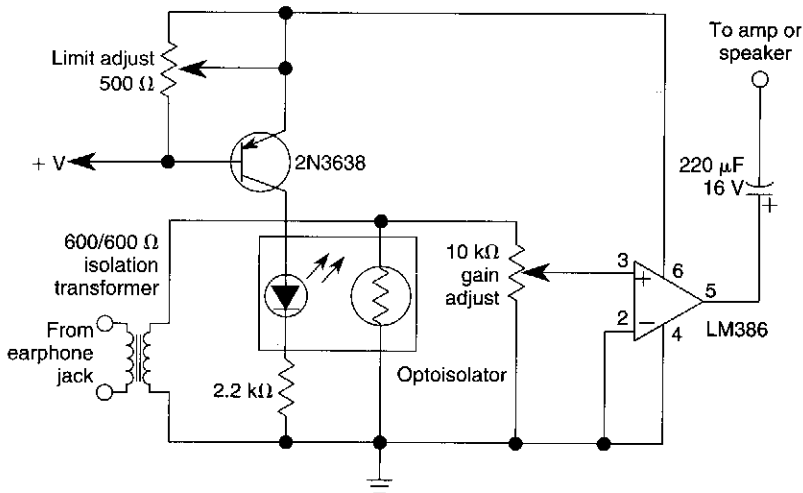
RADIO COMMERCIAL ZAPPER (Cont.)



BLOCK DIAGRAM OF THE COMMERCIAL KILLER: The envelope of the signal is used to vary the pulse rate from IC2-c. The pulses are integrated; the resulting signal controls the gains of a pair of VCA's.

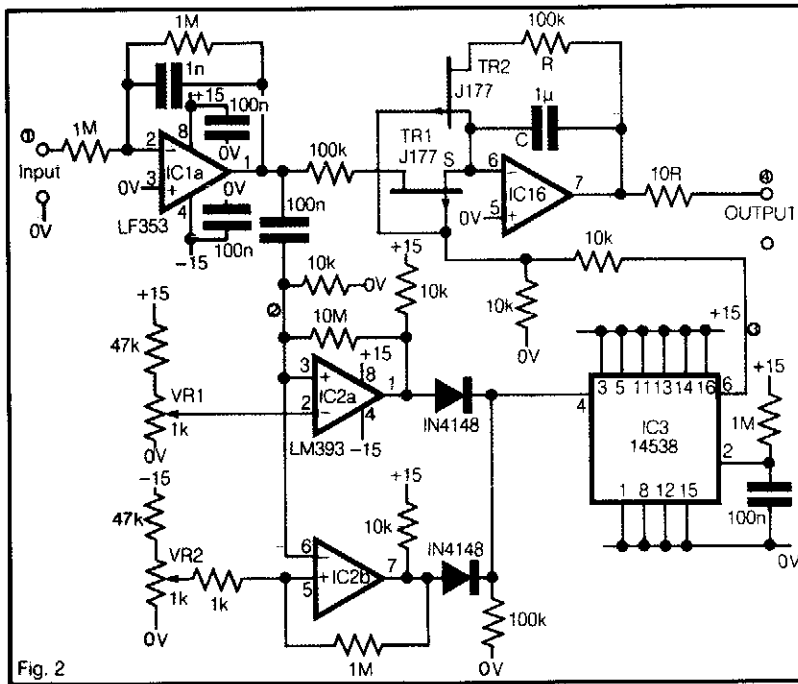
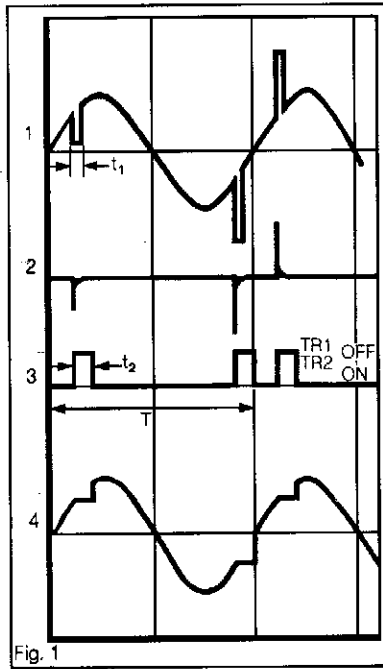
The L&R inputs are summed, dated and drive a comparator. The comparator senses level and generates a transition when audio inputs go above or below preset thresholds. The number of these transitions (corresponding to rapid volume changes) are integrated and feed voltage controlled amplifiers. This device actually senses dynamic range.

AUDIO LIMITER



An optoisolator is used as an attenuator in this circuit. When the LM386 draws more current on audio signals, the 2N3638 turns on, which biases the optoisolator on, and reduces the volume.

ANALOG DE-GLITCH CIRCUIT



ANALOG DE-GLITCH CIRCUIT (Cont.)

Low-frequency signals produced by transducers, measurement equipment, or data loggers often appear like the first waveform in the figure. The circuit shown operates as a tracking sample-and-hold, and the transients are replaced in the output by the stored value of the current signal at the instant of the transient.

The input signal is buffered and inverted by IC1a, and the differentiated result shown at 2 applied to the inputs of two comparators IC2-a and IC2-b. VR1 and VR2 set levels to prevent false or unnecessary operation. Either comparator output triggers the mono IC3 from positive or negative signal transients. When IC3 has not been triggered, TR1 and TR2 'p' channel JFETs are on, and IC1b operates as an integrator with a high leakage, and tracks the input signal. When the mono is triggered as at 3, TR1 and TR2 turn off and the previous signal value is held constant, as shown at 4. The resulting output waveform can then be easily filtered to remove the harmonics from the restoring step at the end of the mono period, if needed.

The criteria for successful operation are:

$$t_2 > t_1 \text{ (mono period longer than glitch)}$$

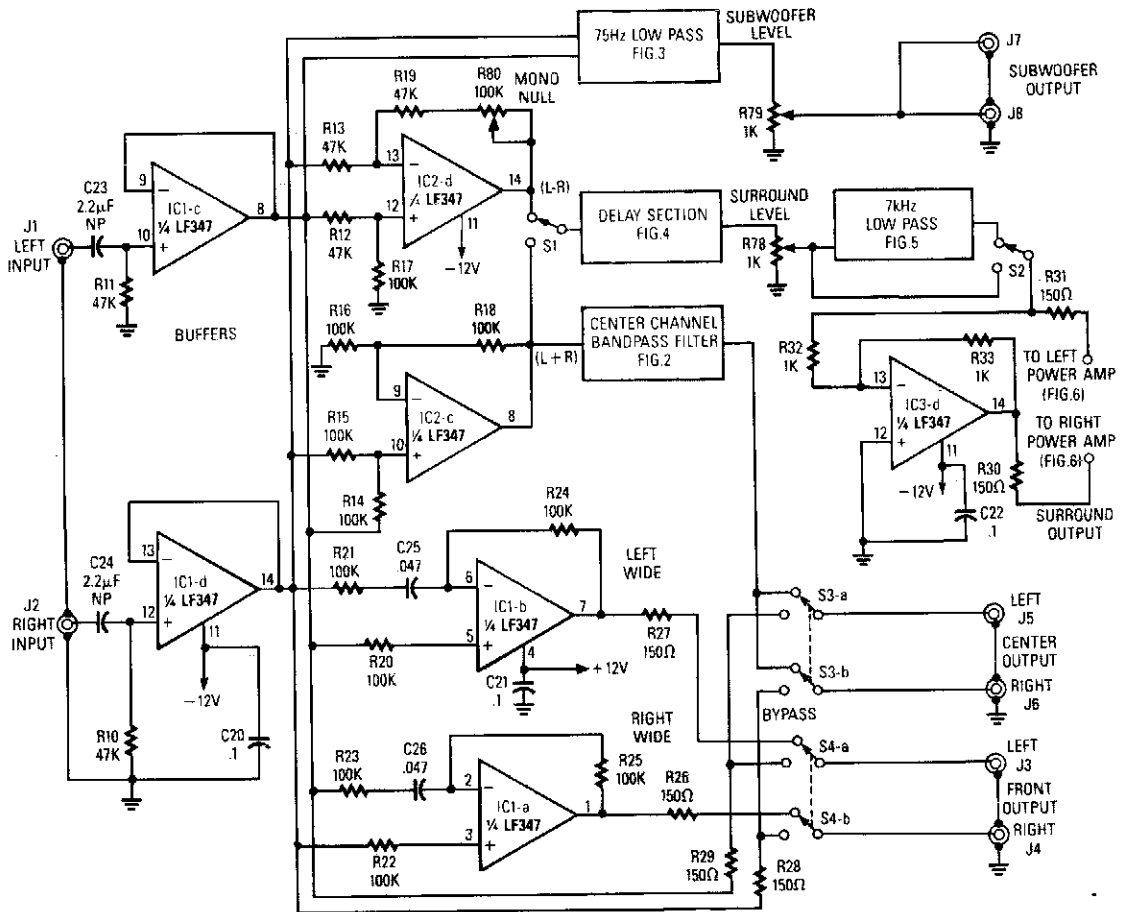
$$t_2/T \text{ small (to optimize output waveform)}$$

$$\text{Signal bandwidth } f_o = \frac{1}{2\pi CR}$$

$$\text{Signal phase } \theta = \tan^{-1} 2\pi f CR$$

The signal range is approximately ± 5 V, depending on the transient amplitude and polarity. The mono period shown is 100 mS, but this can be optimized in practical applications. The shorter the mono period in relation to the signal waveform, the better the quality of the result.

ACOUSTIC FIELD GENERATOR



THE AFG IS MADE UP OF 10 relatively simple circuit elements.

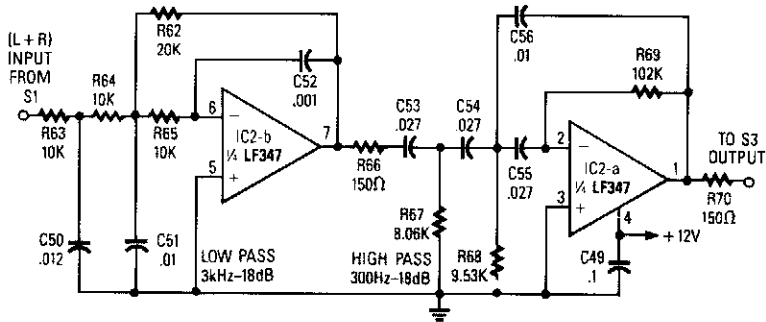
A

Referring to the simplified schematic in A, the AFG is made up of 10 relatively simple circuit elements. IC1-c and IC1-d are configured as unity-gain noninverting buffer amplifiers.

The summing ($L+R$) amplifier, IC2-c, combines equal amounts of the left and right signals, via R14 and R15, to develop a total composite signal. Left- and right-channel signals are applied equally through R13 and R12 to IC2-d, the difference ($L-R$) decoder. Any common to both channels is canceled by IC2-d, which exactly balances the inverting and noninverting gains of the amplifier for a perfect null.

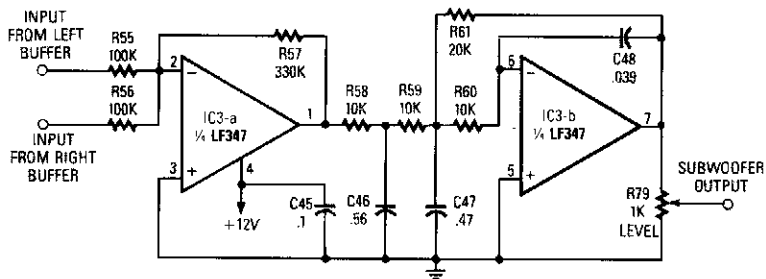
The stereo width-enhancement circuit made up from IC1-a and IC1-b works similarly to the ($L-R$) decoder, except that C25 and C26 have been added in the inverting inputs of each op amp. IC1-b develops the "left wide" signal because its inverting and noninverting inputs are connected to the left

ACOUSTIC FIELD GENERATOR (Cont.)



THE CENTER-CHANNEL SPEECH FILTER is built by cascading a 3-kHz low-pass filter with a 300-Hz high-pass filter to form a band-pass filter.

B



AN ACTIVE CROSSOVER NETWORK for driving a high-power subwoofer system is made from IC3-a and IC3-b.

C

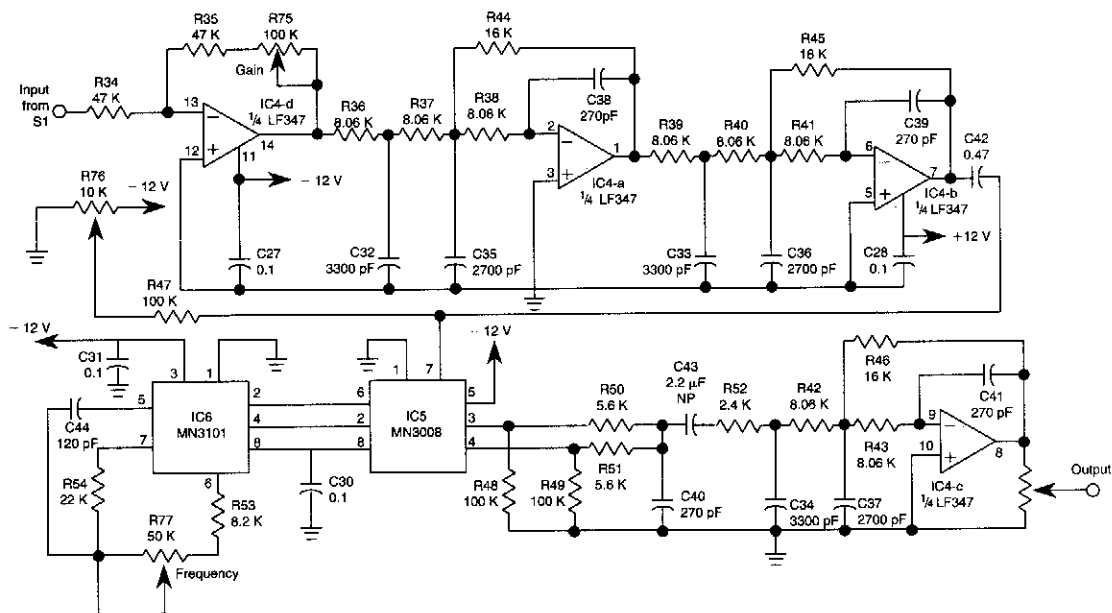
and right channels opposite that of IC1-a. The output of the width-enhancement circuit is routed to S4, which selects either the “wide” or the bypass signal for feeding the front-channel amplifier.

The center-channel dialogue filter is built by cascading a 3-kHz low-pass filter with a 3-Hz high-pass filter to form a band-pass filter. It has a sharp -18 dB/octave cutoff, a flat voltage and power frequency response, and minimum phase change within the passband.

In C, IC3-a and IC3-b form an active crossover network for driving a subwoofer. IC3-a sums signals from the left- and right-channel buffer amps, it inverts the summed signal 180 degrees, and provides a low driving impedance for the following filter stage. IC3-b and its associated RC network form a 75-Hz, 3rd-order low-pass filter. The filter inverts the signal another 180 degrees, so the signal that appears across R79 (which is the output-level control) is back in phase with the original input signal.

The delay section of the AFG, shown in D, is built around the MN3008 bucket brigade device (BBD), and the MN3101 two-phase variable-frequency clock generator. The amount of delay required in this system varies between approximately 5 to 35 milliseconds. The delay time of a BBD is equal to the number of stages divided by twice the clock frequency. Values were chosen for R53, R54, R77, and C44, to produce a clock frequency, adjustable via R77, which varies from about 30 kHz to 130 kHz.

ACOUSTIC FIELD GENERATOR (Cont.)

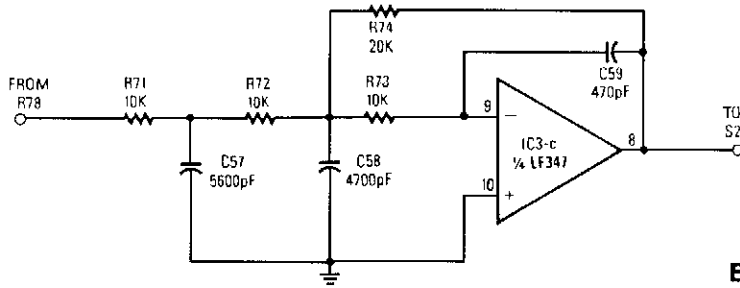


D

In A, S1 selects the signal to be delayed; either the difference signal ($L-R$) from IC2-d in the matrix mode or the sum signal ($L+R$) from IC2-c in the concert mode. The selected signal is fed from S1 to the delay section (D) where IC4-d is configured as an inverting amplifier; R75 adjusts the gain between unity and X3. Integrated circuits IC4-a and IC4-b, along with their associated RC networks, are identical 3rd-order 15-kHz low-pass filters. Cascading two filters produces a very sharp cut off (-36 dB per octave). Potentiometer R76 adjusts the bias voltage required by the BBD to exactly one half the supply voltage, as required.

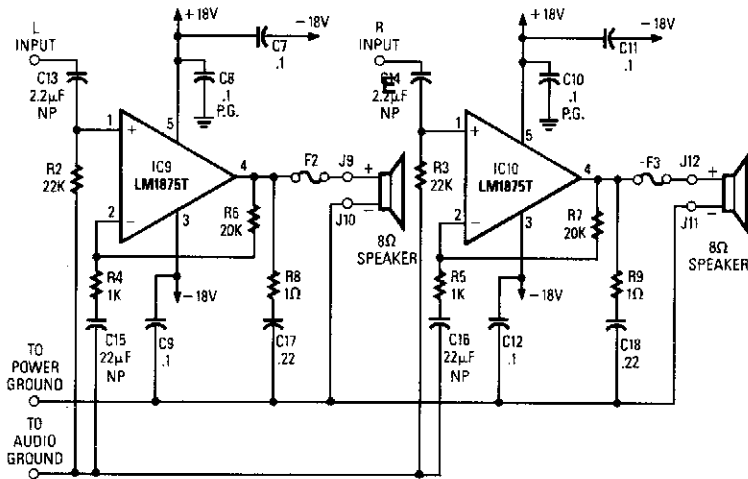
The power supply of the AFG, shown in G, is of conventional design. A 25-V center-tapped transformer, along with diodes D1 and D2, produces about ± 18 -V unregulated dc. Two 2200- μ F filter capacitors provide ample energy storage to meet the high-current demands of the audio output amplifier ICs during high output peaks.

ACOUSTIC FIELD GENERATOR (Cont.)



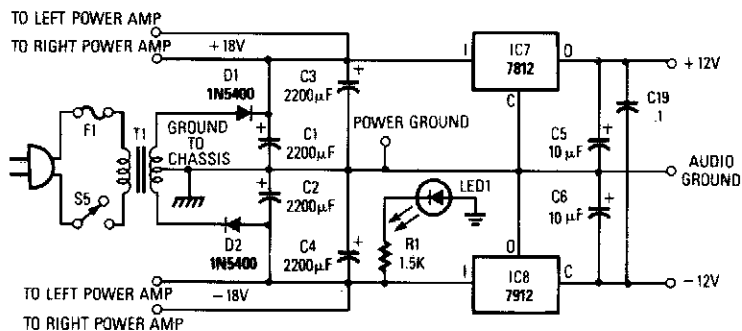
E

A 3rd-ORDER 7-kHz LOW-PASS FILTER is made from IC3-c and its associated RC network.



F

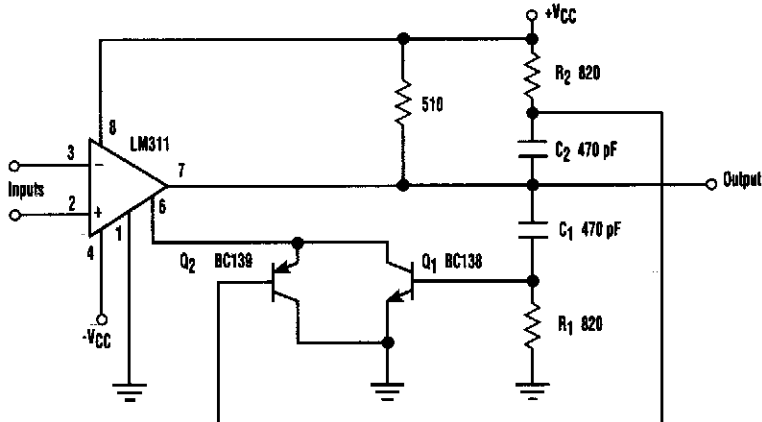
THE SURROUND CHANNEL POWER AMPLIFIERS are designed around a pair of LM1875 monolithic power-amplifier IC's.



THE POWER SUPPLY produces about ± 18 -volts unregulated DC.

G

SUPPRESS JITTER WITH HYSTERESIS

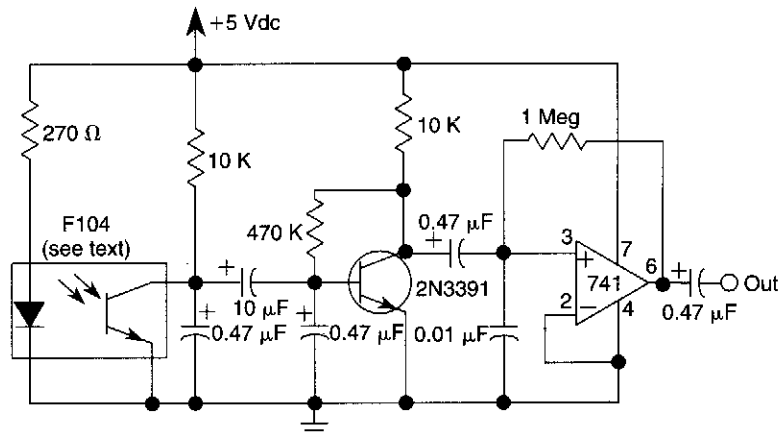


ELECTRONIC DESIGN

FIG. 57-12

When the comparator's output changes its state from low to high, the rising edge of the output pulse, differentiated by the C₁/R₁ chain, opens Q₁. This blocks comparator M via its strobing input and sustains its output in the H state for a period of time, defined by the time constant R₁C₁. After C₁ is charged by the current flowing through R₁, Q₁ is shut off and the comparator is released. When the comparator's output state changes from high to low, a similar process, involving elements R₂, C₂, and Q₂, occurs. In many applications, the output transition in only one direction is of vital importance, and the elements, which provide temporal hysteresis for the opposite direction transition, can be omitted.

HEARTBEAT MONITOR

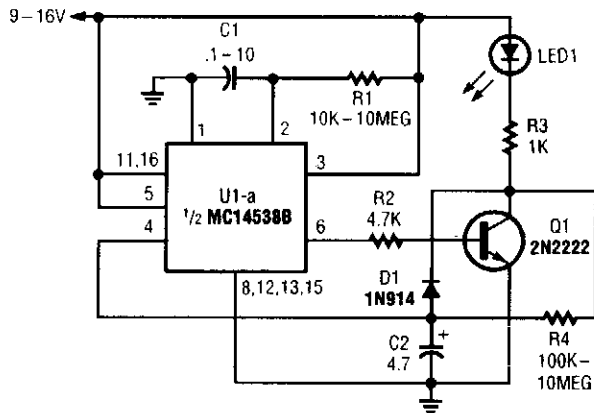


ELECTRONICS NOW

FIG. 57-13

An IR photodiode, which senses IR skin reflectivity as a result of increased blood volume during the periods that the heart forcibly contracts, is used to pick up a signal that is correlated with the heartbeat. A transistor and op amp raise this to a level suitable to trigger logic circuitry or to be displayed on a scope.

SELF-RETRIGGERING TIMED-ON GENERATOR



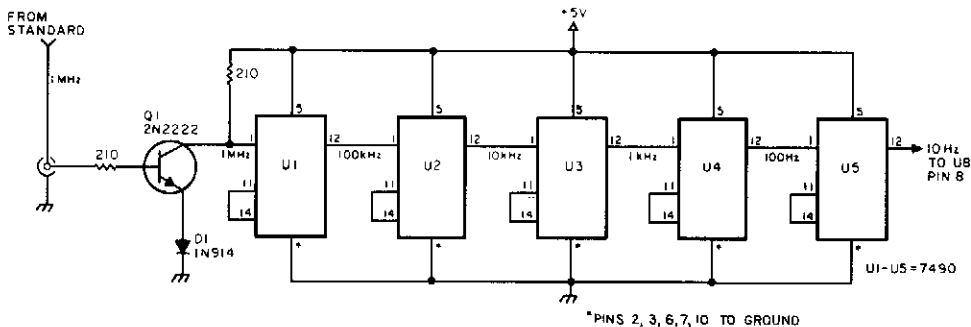
POPULAR ELECTRONICS

FIG. 57-14

When power is first applied to the circuit, C2 begins to charge via LED1, R3, and R4. When the voltage across C2 reaches U1's input trigger level, the output of U1 at pin 6 goes positive for a period that is determined by the values of C₁ and R₁. That turns Q1 on, discharging C2 through D1 and Q1.

At the end of the set period, the output of U1 at pin 6 goes low, turning Q1 off and allowing the current to begin flowing through LED1, R3, and R4 to gain charge C2, causing the cycle to repeat. The repeat time is determined by the values of R₃, R₄, and C₂. The previous formula won't be as accurate for this circuit, but it will at least get you close enough for the capacitor value; then R₄ can be fine-tuned to obtain the desired timing period.

FREQUENCY DIVIDER FOR MEASUREMENTS

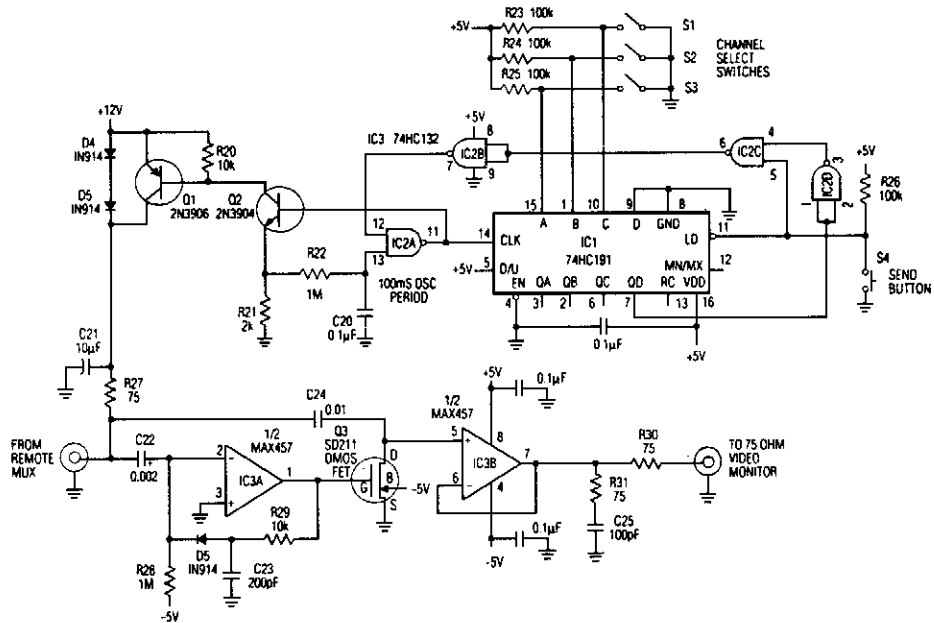


73 AMATEUR RADIO TODAY

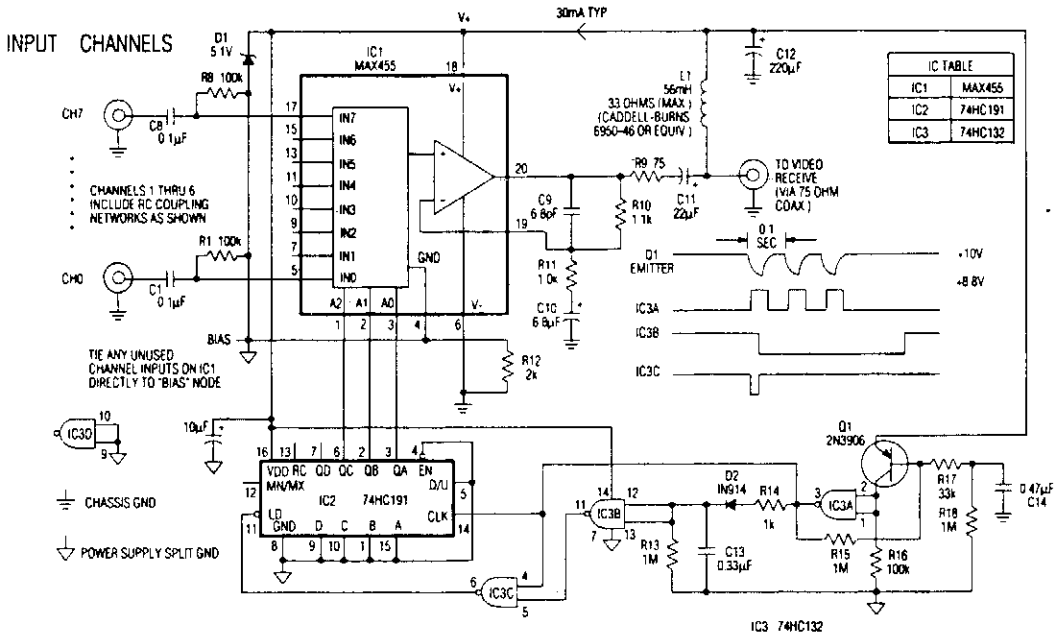
FIG. 57-15

This circuit is meant to be driven by a 1-MHz standard signal of a few volts amplitude. U1 through U5 are 7490 decade counter/divider and produce a division ratio of 100,000:1. Successive divisions of 10 can be tapped off, if desired, between stages. One or more stages can be added for still lower frequencies.

VIDEO, POWER, AND CHANNEL-SELECT SIGNAL CARRIER



A



B

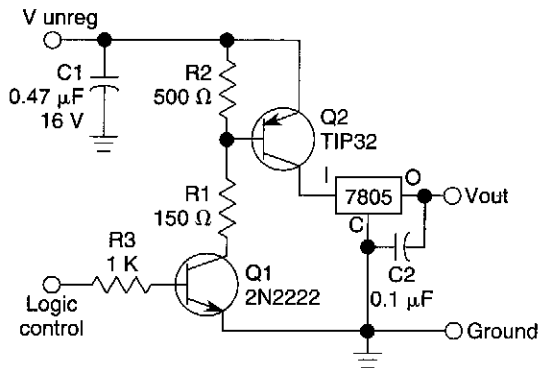
VIDEO, POWER, AND CHANNEL-SELECT SIGNAL CARRIER (Cont.)

In the video system of Figs. A and B, a single coaxial cable carries power to the remote location, selects one of eight video channels, and returns the selected signal. The system can choose one of several remote surveillance-camera signals, for example, and display the picture on a monitor near the interface box.

The heart of the multiplexer box (A) is a combination 8-channel multiplexer and amplifier (IC1). C11 couples the multiplexer's baseband video output to the coax, and L1 decouples the video from dc power arriving on the same line. This power—approximately 30 mA at 10 V—supplies all circuitry in the multiplexer box.

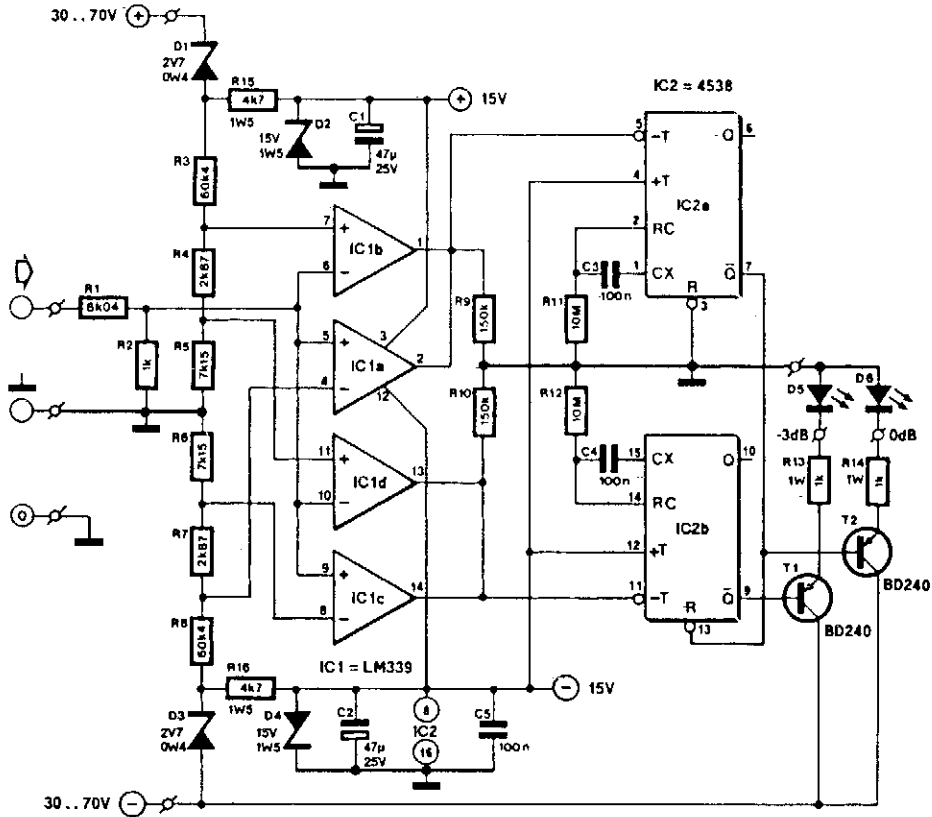
In interface box (B), a desired channel is encoded by three bits, set either by switches as shown or by an applied digital input. Momentary depression of the send button triggers downconverter IC1 and gated oscillator IC2A to initiate a channel-selection burst.

7805 TURN-ON CIRCUIT



A logic level can control a 7805 regulator with this circuit. Q2 is a series switching transistor controlled by Q1. Q1 is turned on by a logic voltage to its base.

AF DRIVE INDICATOR

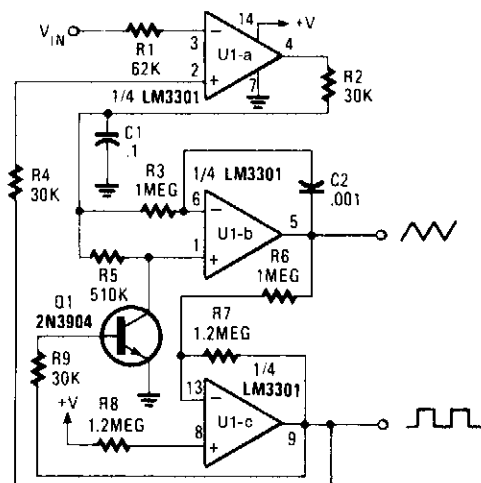


ELEKTOR ELECTRONICS

FIG. 57-18

This circuit was used with an audio power amplifier to detect the point at which output is -3 dB from maximum, indicated by LED D5, and at clipping, shown by LED D6. The indicator can be used with any amplifier operating from a ± 30 to ± 70 V symmetrical supply.

PHASE-LOCKED LOOP

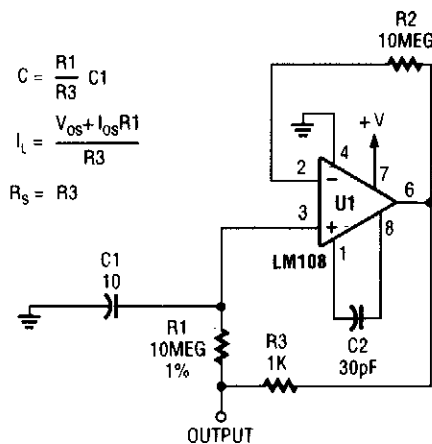


POPULAR ELECTRONICS

FIG. 57-19

The PLL will lock onto an input signal. Both triangle- and square-wave outputs are available. A quad op amp can be used in this circuit, which should be useful in the audio and LF radio region.

CAPACITANCE MULTIPLIER



$$C = \frac{R_1}{R_3} C_1$$

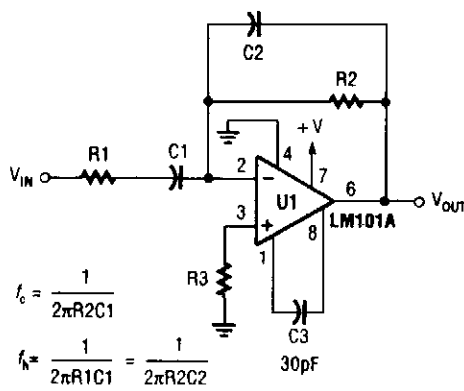
$$I_L = \frac{V_{os} + I_{os} R_1}{R_3}$$

$$R_s = R_3$$

POPULAR ELECTRONICS

FIG. 57-20

PRACTICAL DIFFERENTIATOR



$$f_c = \frac{1}{2\pi R_2 C_1}$$

$$f_h = \frac{1}{2\pi R_1 C_1} = \frac{1}{2\pi R_2 C_2}$$

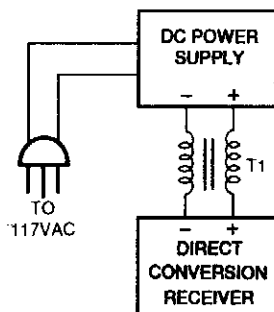
$$f_c < f_h < \text{unity gain}$$

POPULAR ELECTRONICS

FIG. 57-21

A differentiator has a high-pass characteristic. Components are chosen by using the design equations.

HUM REDUCER FOR DIRECT-CONVERSION RECEIVERS

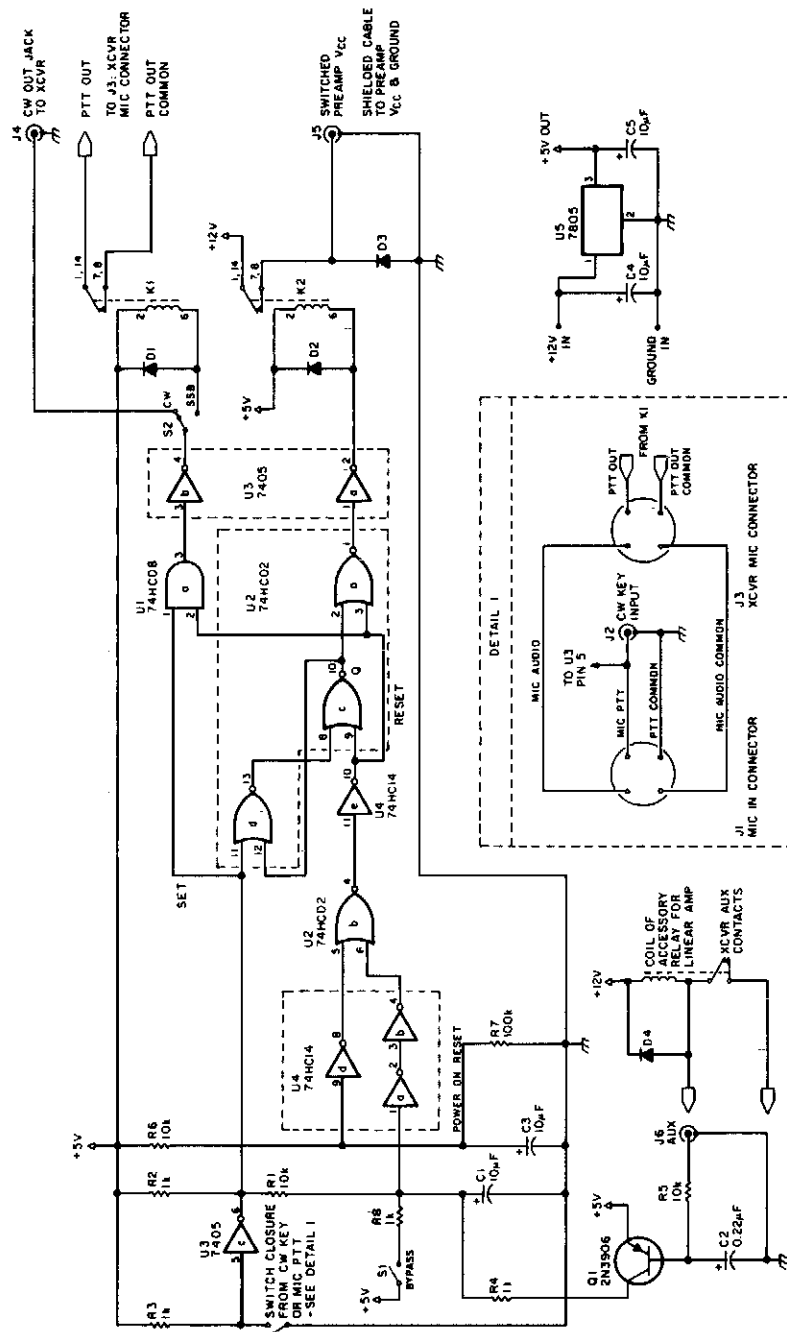


POPULAR ELECTRONICS

FIG. 57-22

One cure for ac power line hum and ripple (caused by leakage current) is to use a well-regulated and filtered 9- to 18-Vdc power supply with a balancing choke (\$T_1\$ in this illustration) between the power supply and the DCR.

PREAMP TRANSMIT-RECEIVE SEQUENCER

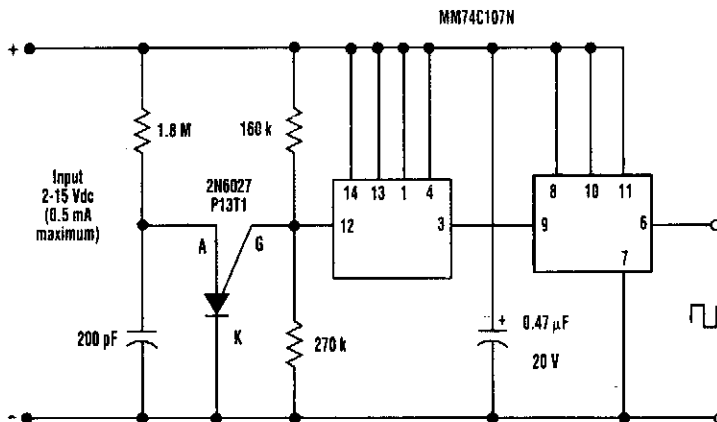


73 AMATEUR RADIO TODAY

FIG. 57-23

This circuit is useful in amateur radio VHF and UHF work where a mast-mounted antenna preamp is used for receiving. The kit controls T-R switching and change-over relay sequencing so that high RF levels are prevented from accidentally being applied to the preamplifier during switching intervals.

dc OUTPUT CHOPPER



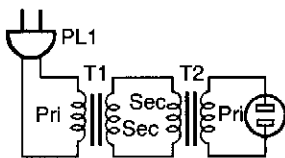
ELECTRONIC DESIGN

FIG. 57-24

Any dc voltage source in the 2- to 15-V range can be chopped into a unipolar square wave that has a peak amplitude nearly equal to the dc source voltage with circuit (lightly loaded CMOS will swing within a few millivolts of each rail at low frequencies). Depending on the actual voltage of the supply, the programmable-unijunction-transistor (PUT) relaxation oscillator produces 2000-Hz trigger pulses. These pulses operate the cascaded 74C107 flip-flop, producing a square wave.

ac ISOLATION TRANSFORMERS USE INEXPENSIVE 12-V TRANSFORMERS

“Safety first!” is a good motto to follow when you play with electricity. You can follow that adage more closely with this homebrew isolation transformer.

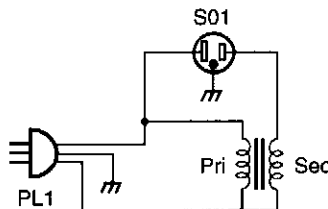


POPULAR ELECTRONICS

FIG. 57-25

ac LINE VOLTAGE BOOSTER

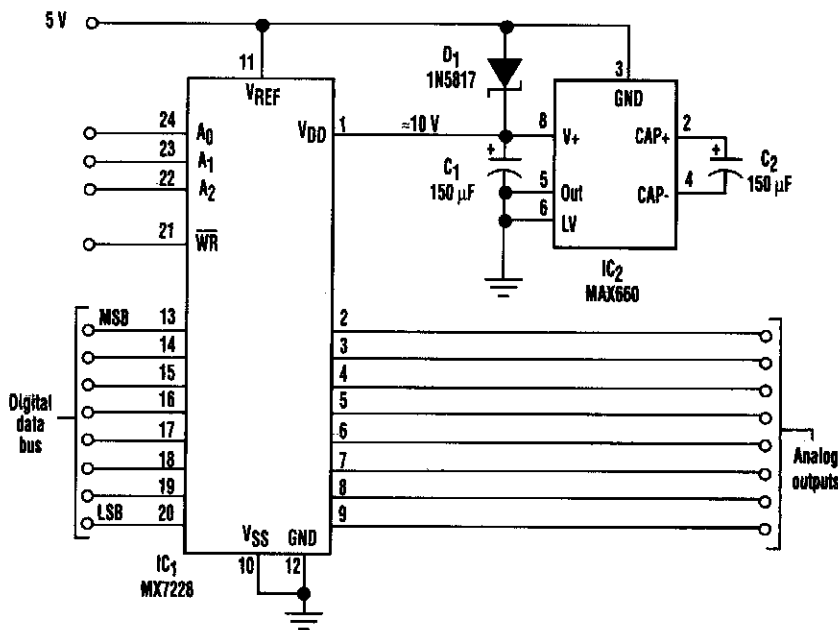
When incoming ac power drops, you can bring the voltage back up with this booster circuit. It adds the transformer's secondary voltage to the ac line voltage.



POPULAR ELECTRONICS

FIG. 57-26

OCTAL D/A CONVERTER

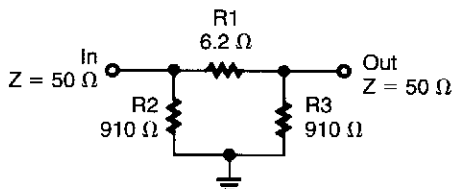


ELECTRONIC DESIGN

FIG. 57-27

This octal digital-to-analog converter operates on 5 V and provides eight output voltages, each digitally adjustable from supply rail to supply rail (0 to 5 V). Each output's resolution is 20 mV/LSB. The DAC chip (IC1) requires 3.5 V of "headroom" between its V_{DD} and reference voltages. However, a voltage-doubler charge pump (IC2) removes this limitation by generating an approximate 10-V supply for V_{DD} . All of the converter references are connected to the 5-V supply. IC2 doubles the 5-V input to an unregulated 10-V output that has an output impedance of less than 10 Ω . It can deliver 100 mA, which enables the eight DACs to issue their maximum output currents simultaneously ($8 \times 5 \text{ mA} = 40 \text{ mA}$).

1-dB PAD

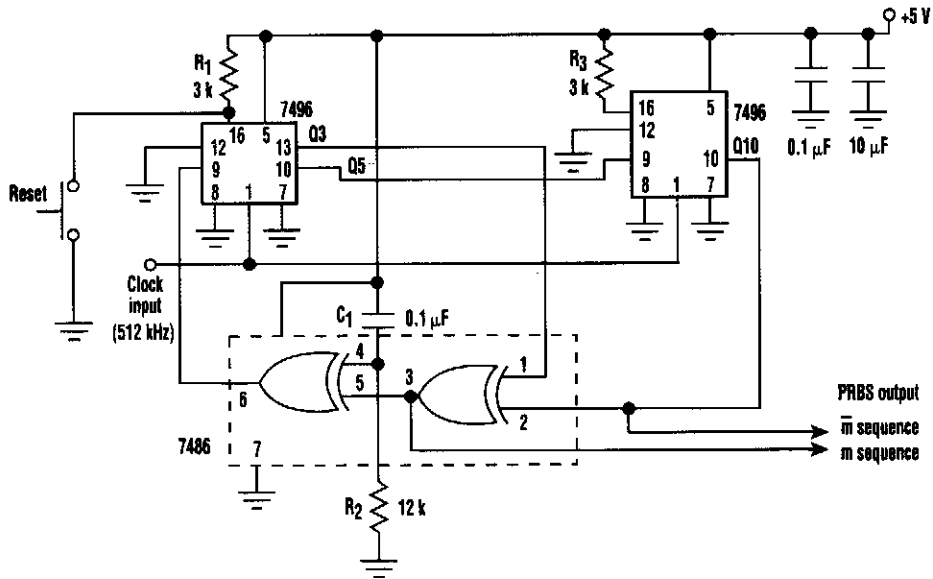


The 1-dB pad is useful as a termination in RF work to limit possible mismatch range between system blocks, etc.

POPULAR ELECTRONICS

FIG. 57-28

PSEUDO-RANDOM BIT SEQUENCE GENERATOR



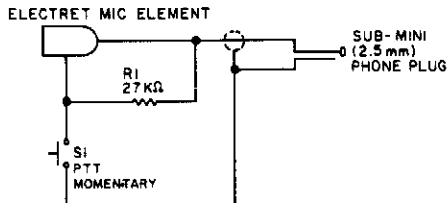
ELECTRONIC DESIGN

FIG. 57-29

In this circuit, an additional exclusive-OR gate is connected after the modulo-2 feedback, with C1 and R2 applying the supply turn-on ramp into the feedback loop. This provides sufficient transient signal so that the PRBS generator can self-start a power-up. A shift-register length n of 10 is shown with feedback at stages 3 and 10, providing true and inverted maximal length sequence outputs.

This technique applies an input directly to the feedback loop. Therefore, it's considered more reliable than applying an RC configuration to the shift-register reset input to create a random turn-on state.

SIMPLE EXTERNAL MICROPHONE CIRCUIT FOR TRANSCEIVERS

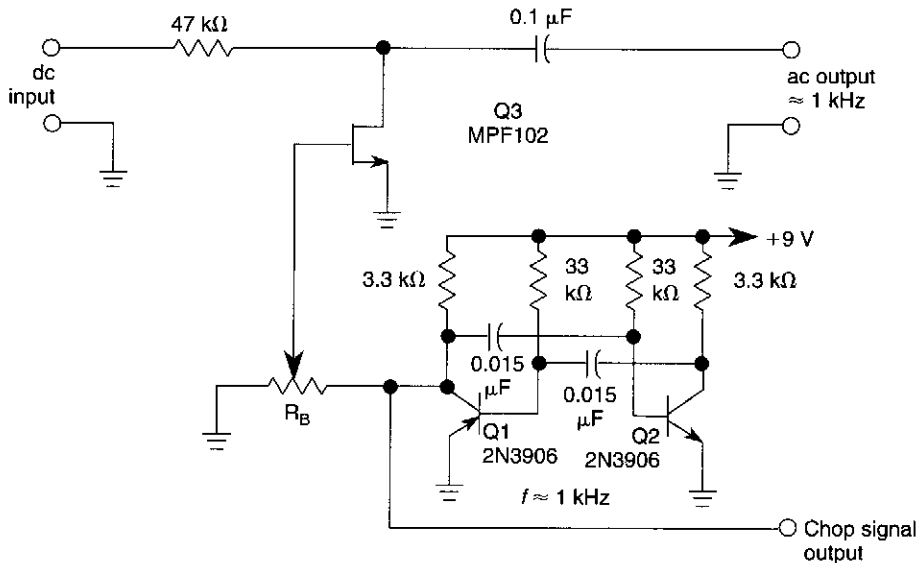


Used originally for an Icom ICZAT handie talkie, this circuit might prove useful in other applications.

73 AMATEUR RADIO

FIG. 57-30

JFET CHOPPER CIRCUIT

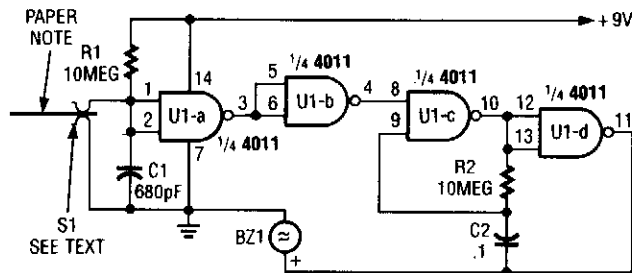


WILLIAM SHEETS

FIG. 57-31

A JFET (MPF102) is used to chop a dc signal for amplification in an ac coupled amplifier. Q3 is the chopper element and Q1-Q2 forms the multivibrator to derive a chopping signal. R_B sets the bias on the FET to keep the drive to MPF102 as low as possible.

AUDIO MEMO ALERT

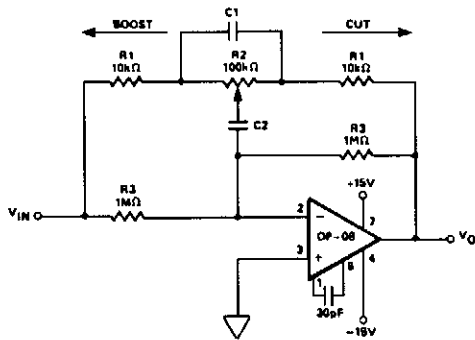


POPULAR ELECTRONICS

FIG. 57-32

This device prevents paper notes and memos from being overlooked. A paper note placed between two fingers made of a conducting material (metal or conductive plastic) breaks the circuit, allowing pair 1 of U1-a to go high. This causes U1-c & U1-d to act as an oscillator, pulsing piezo buzzer BZ1.

OCTAVE EQUALIZER



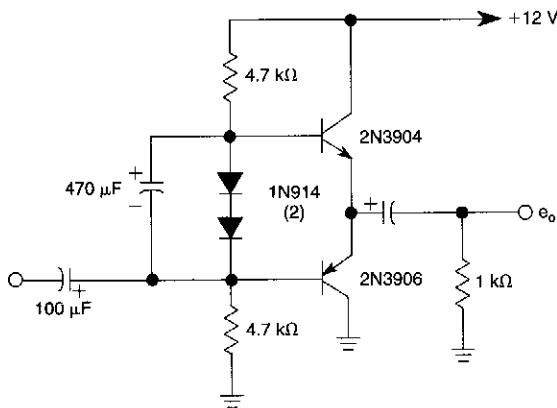
f_o (Hz)	C_1	C_2
32	$0.18\mu F$	$0.018\mu F$
64	$0.1\mu F$	$0.01\mu F$
125	$0.047\mu F$	$0.0047\mu F$
250	$0.022\mu F$	$0.0022\mu F$
500	$0.012\mu F$	$0.0012\mu F$
1k	$0.0056\mu F$	$560pF$
2k	$0.0027\mu F$	$270pF$
4k	$0.0015\mu F$	$150pF$
8k	$680pF$	$68pF$
16k	$360pF$	$36pF$

PRECISION MONOLITHICS INC.

FIG. 57-33

This circuit is one section of an octave equalizer used in audio systems. The table shows the values of C_1 and C_2 that are needed to achieve the given center frequencies. This circuit is capable of 12 dB boost or cut, as determined by the position of R_2 . Because of the low input bias current of the OP-08, the resistors could be scaled up by a factor of 10, and thereby reduce the values of C_1 and C_2 at the low-frequency end. In addition, 10 sections will only draw a combined supply current of 6 mA maximum.

COMPLEMENTARY OR BILATERAL ac EMITTER-FOLLOWER CIRCUIT

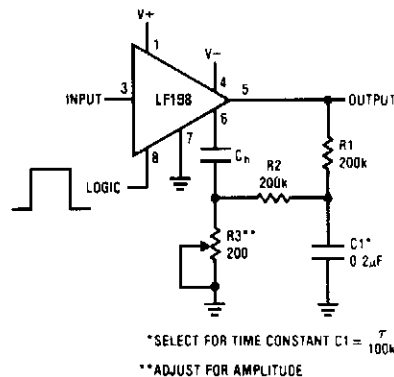


WILLIAM SHEETS

FIG. 57-34

This noninverting circuit uses a pair of complementary npn (2N3904) and pnp (2N3906) transistors.

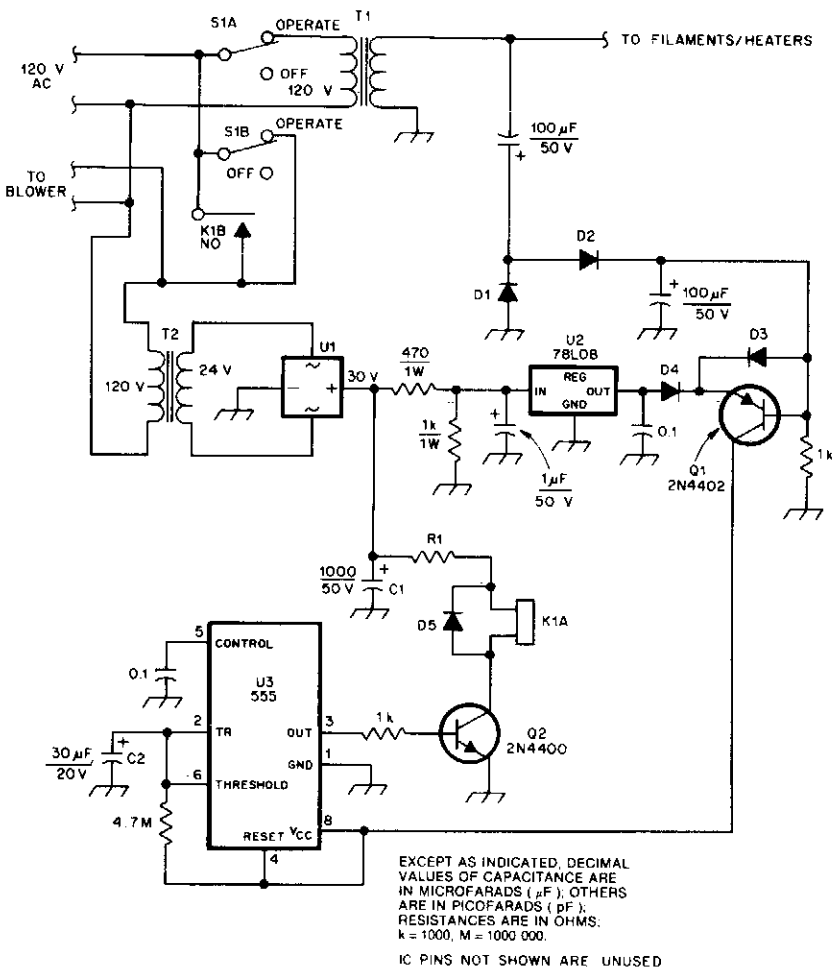
CAPACITOR HYSTERESIS COMPENSATOR



LINEAR DATABASE

FIG. 57-35

AMPLIFIER COOL-DOWN CIRCUIT I

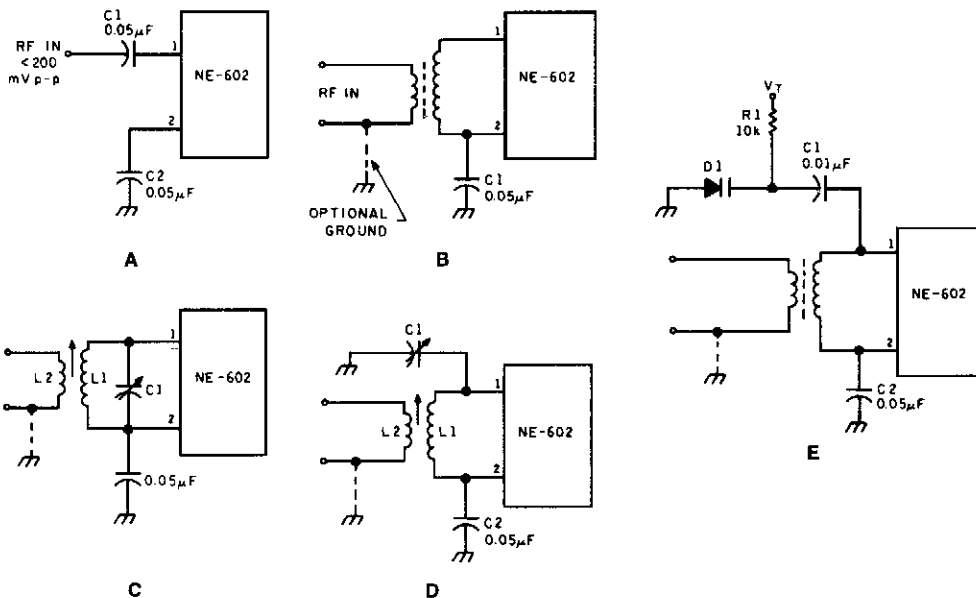


QST

FIG. 57-36

This cool-down relay circuit uses an IC timer to drive a relay, which keeps the blower on for a time delay from timer U3. The value of C_2 can be changed to lengthen or shorten the time, as needed.

NE602 INPUT CIRCUITS

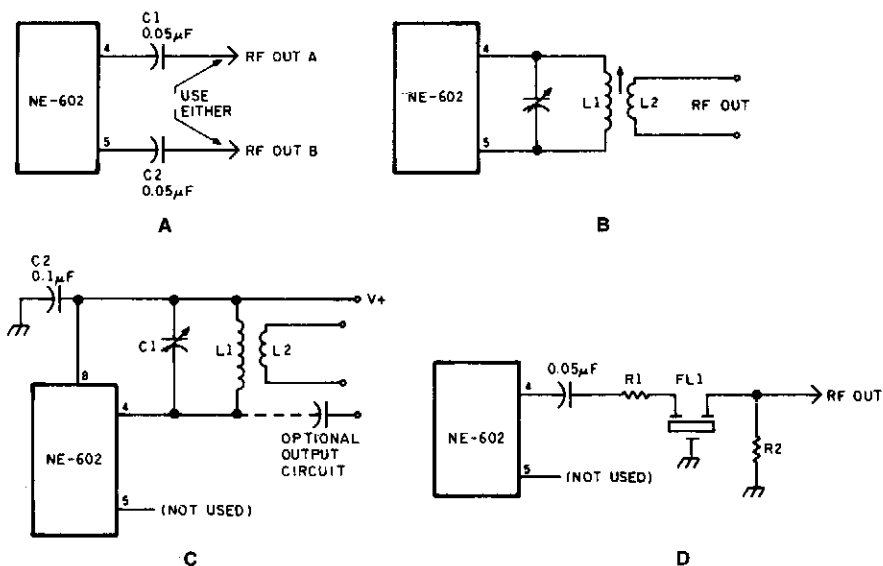


73 AMATEUR RADIO TODAY

FIG. 57-37

Input circuits for the NE-602.

NE602 OUTPUT CIRCUITS

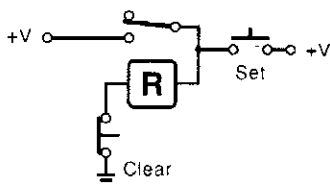


73 AMATEUR RADIO TODAY

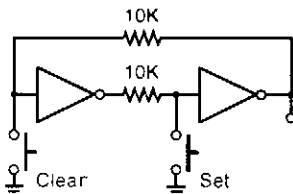
FIG. 57-38

Output circuits for the NE-602.

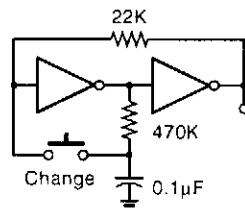
BASIC LATCH CIRCUITS



(A) Relay converted to latch.



(B) Inverter pair used as latch.



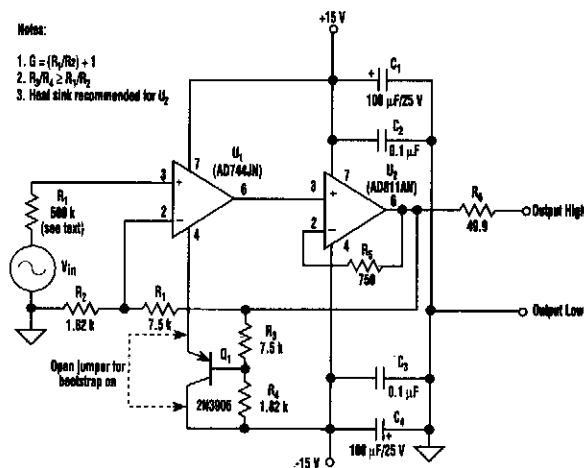
(C) Alternate action pushbutton.

ELECTRONICS NOW

FIG. 57-39

Some simple latches and alternate action circuits.

BOOTSTRAP CIRCUIT

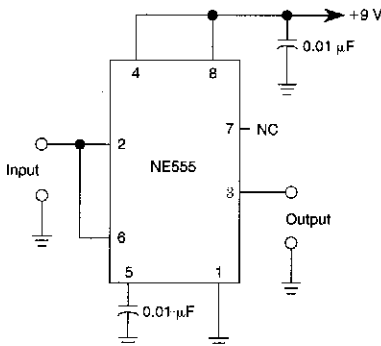


Bootstrapping the substrate of a JFET amplifier reduces the distortion caused by the non-linearity of the JFET input capacitance. In the figure, a second feedback divider bootstraps the substrate of U_1 . With $R_1 = 500 \text{ k}\Omega$ (source impedance), THD at 10 kHz was reduced an order of magnitude.

ELECTRONIC DESIGN

FIG. 57-40

SIMPLE SCHMITT TRIGGER

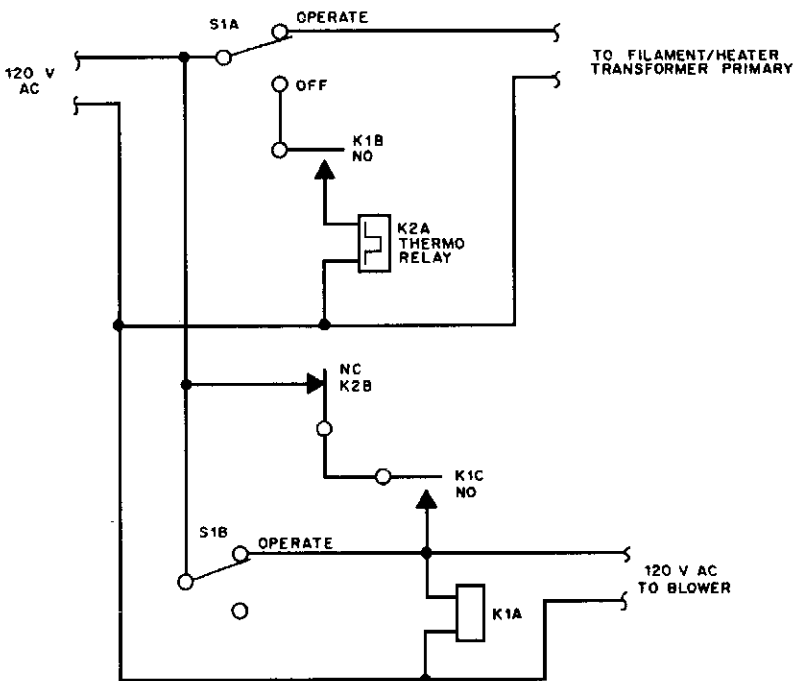
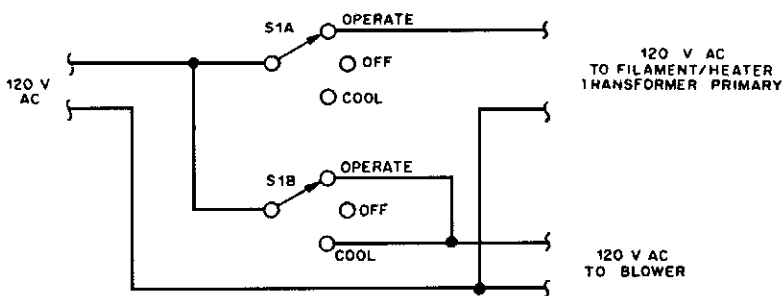


A 555 IC is shown configured to function as a Schmitt trigger. Inputs above and below the threshold level will turn the circuit on and off producing a square wave output.

WILLIAM SHEETS

FIG. 57-41

AMPLIFIER COOL-DOWN CIRCUIT II

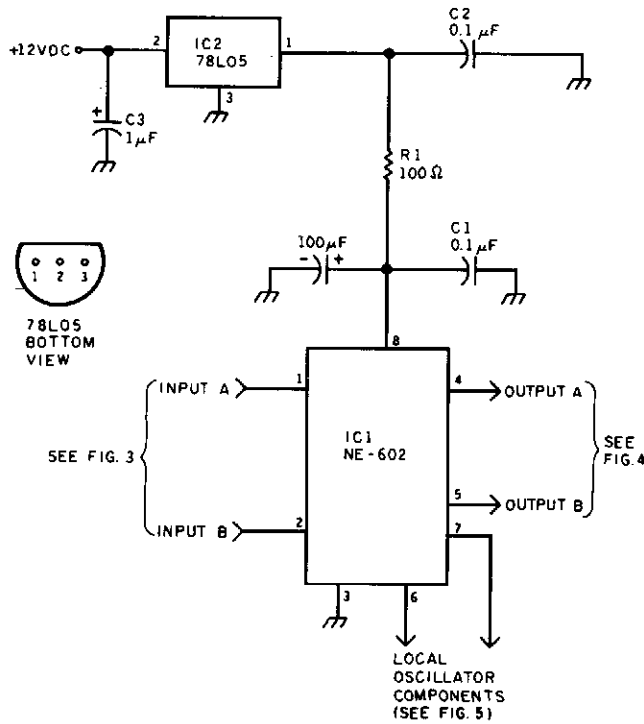


QST

FIG. 57-42

High-power amplifiers used in RF service, using vacuum tubes, often benefit from leaving the blower air flow on after removal of filament/heater voltage.

NE602 dc POWER CIRCUITS

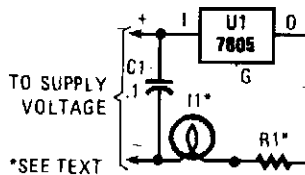


73 AMATEUR RADIO TODAY

FIG. 57-43

The dc power supply circuit for the NE-602.

INRUSH CURRENT LIMITER



POPULAR ELECTRONICS

FIG. 57-44

A 7805 can be configured as a constant-current regulator, to serve as an inrush current limiter. R_1 will have 5 V across it at all times so the total current through I_1 will be $5 V/R_1 + 5 \text{ mA}$, the 5 mA being the regulator operating current. In this case, $R_1 = 5 V/95 \text{ mA} = 52.6 \Omega$ for I_1 current = 100 mA.

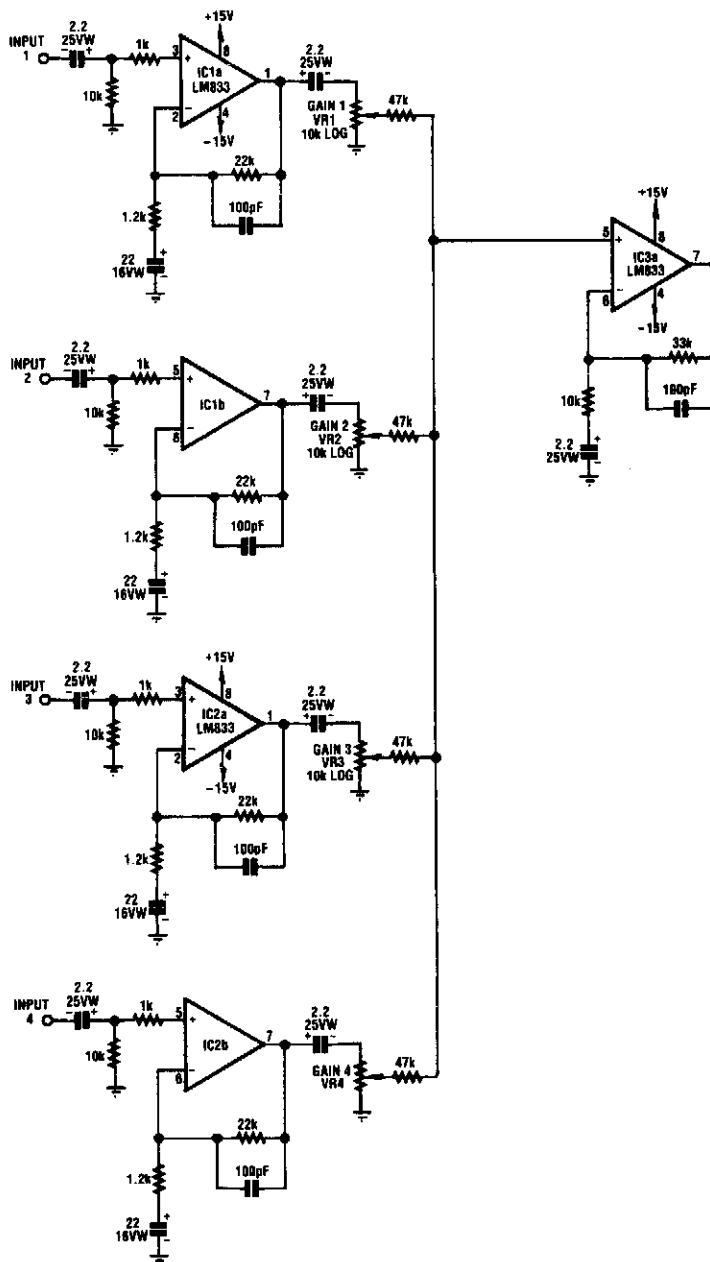
58

Mixer Circuits

The sources of the following circuits are contained in the Sources section, which begins on page 675. The figure number in the box of each circuit correlates to the entry in the Sources section.

Low-Noise 4-Channel Guitar Mixer
Audio Mixer
FET Microphone Mixer
Unity-Gain Four-Input Audio Mixer
FET Op Amp Microphone Mixer

LOW-NOISE 4-CHANNEL GUITAR MIXER



SILICON CHIP

IC1-a, IC1-b, IC2-a, and IC2-b all function with a gain of about 19. Their outputs are mixed via the level-control pots and the resulting signal amplified by IC3-a and fed to tone-control stage IC3-b. Finally, the output from IC3-b is fed to unity-gain buffer stage IC4-a via volume-control potentiometer VR8.

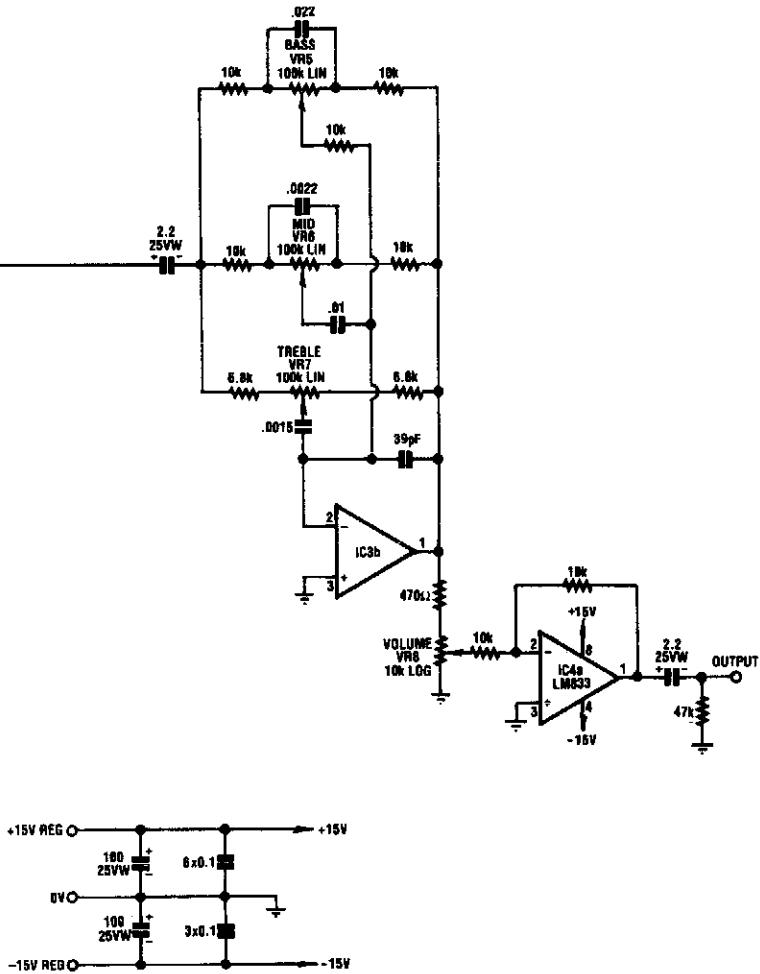
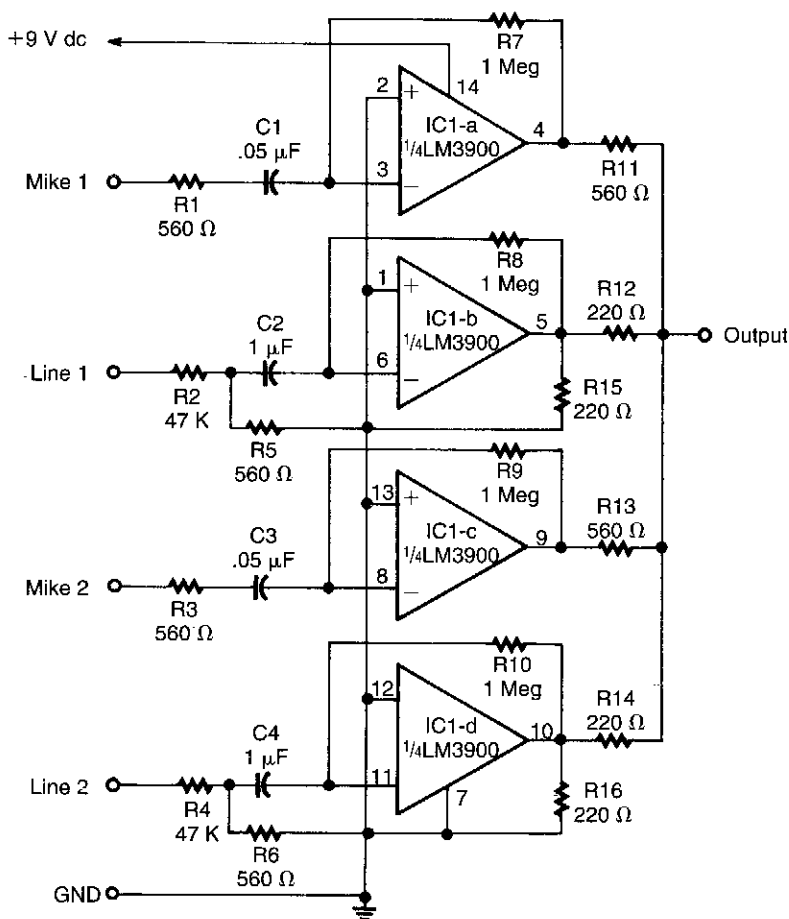


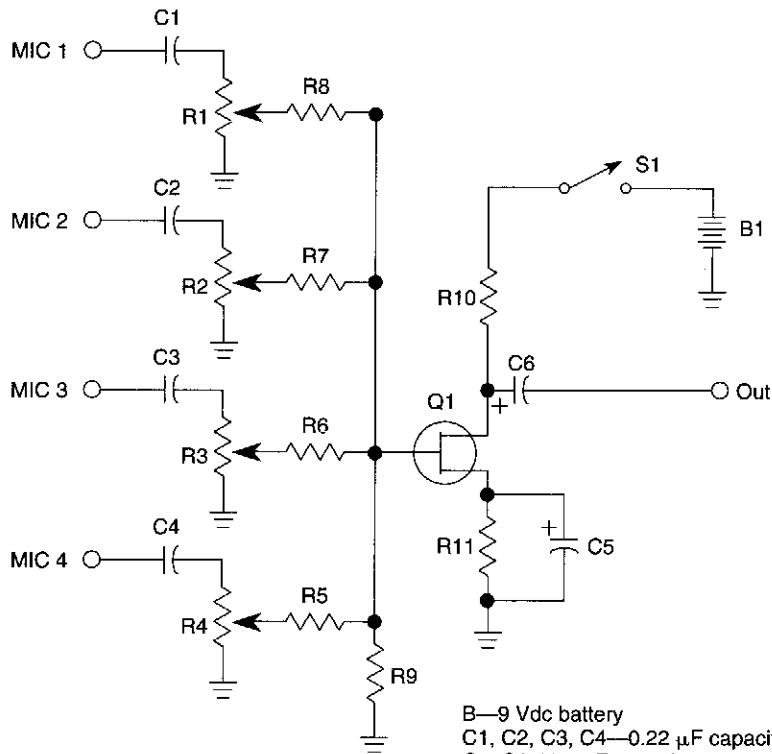
FIG. 58-1

AUDIO MIXER



Designed around an LM3900 quad op amp, this mixer combines 2-line and 2-mike inputs and sums them at the output terminal. R7 through R10 can be changed to vary the gain (around +23 dB).

FET MICROPHONE MIXER



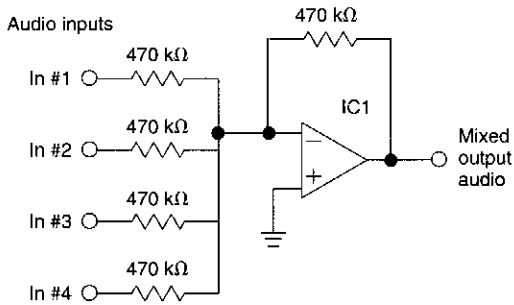
- B—9 Vdc battery
- C1, C2, C3, C4—0.22 μ F capacitor
- C5, C6—10 μ F capacitor
- R1, R2, R3, R4—500 k Ω potentiometer, audio taper
- R5, R6, R7, R8—2.2 M Ω resistor
- R9—10 M Ω resistor
- R10—2.2 k Ω resistor
- R11—470 Ω resistor
- Q1—FET (field effect resistor), MPF102
- S1—SPST switch

WILLIAM SHEETS

FIG. 58-3

A JFET transistor is used as a high-to-low impedance converter and signal mixer. Input impedance is approximately 500 k Ω but it can be increased by increasing R5 to R8 as high as 10 M Ω . Output Z is about 2 k Ω , but it can be increased or decreased by changing the value of R₁₀. Use 560 or 680 Ω to feed a 600- Ω input; use 100 k Ω to 1 M Ω for high impedance.

UNITY-GAIN FOUR-INPUT AUDIO MIXER



The circuit has four inputs. The voltage gain between each input and the output is held at unity by the relative values of the 470kΩ input resistor and the 470kΩ feedback resistor.

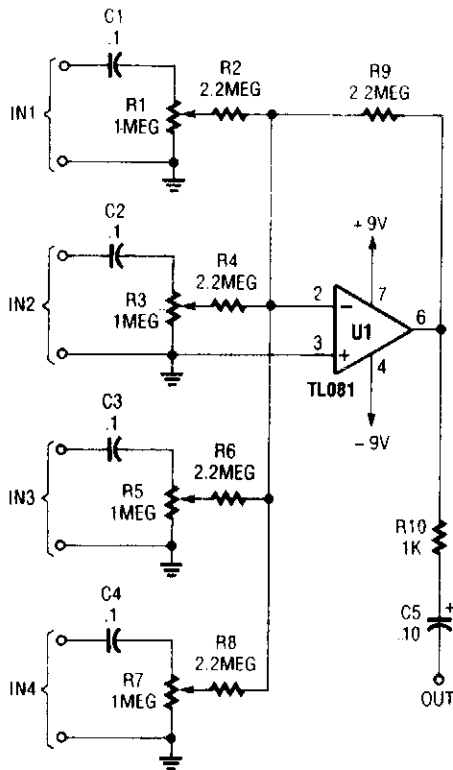
$$E_{OUT} = -(In \#1 + In \#2 + In \#3 + In \#4)$$

IC1 = LM741, etc.

WILLIAM SHEETS

FIG. 58-4

FET OP AMP MICROPHONE MIXER



POPULAR ELECTRONICS

FIG. 58-5

59

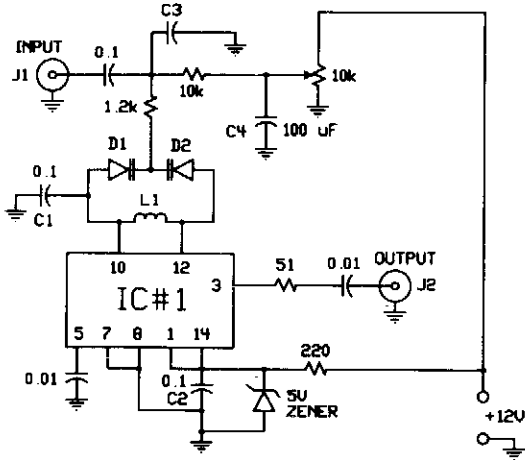
Modulator Circuits

The sources of the following circuits are contained in the Sources section, which begins on page 675. The figure number in the box of each circuit correlates to the entry in the Sources section.

FM Modulator
455-kHz Modulator
555 FM Circuit

FM MODULATOR

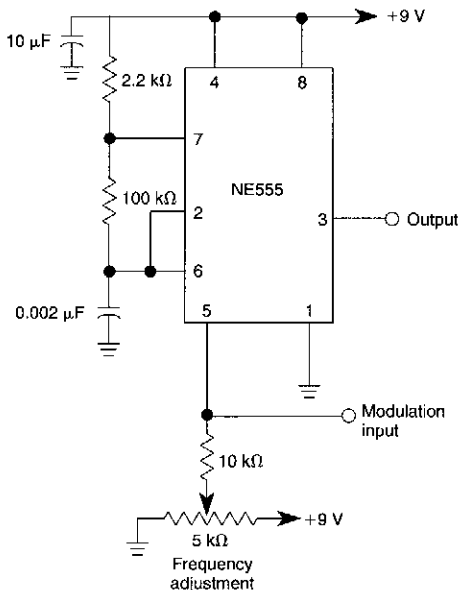
IC-1 - Motorola MC-1648P
 All resistors 5%, 0.25 W
 Zener - 5.1 V, 0.5 W
 All 0.1 and 0.01 μ F capacitors ceramic, 16V
 C4 - 100 μ F, 16 V electrolytic
 D1, D2 - Motorola MV-209
 L1 - airwound, 6 turns, 3/16" dia., 5/16" long, 20 AWG
 C3 - 500 pF, silver mica



RF DESIGN

FIG. 59-1

455-kHz MODULATOR



WILLIAM SHEETS

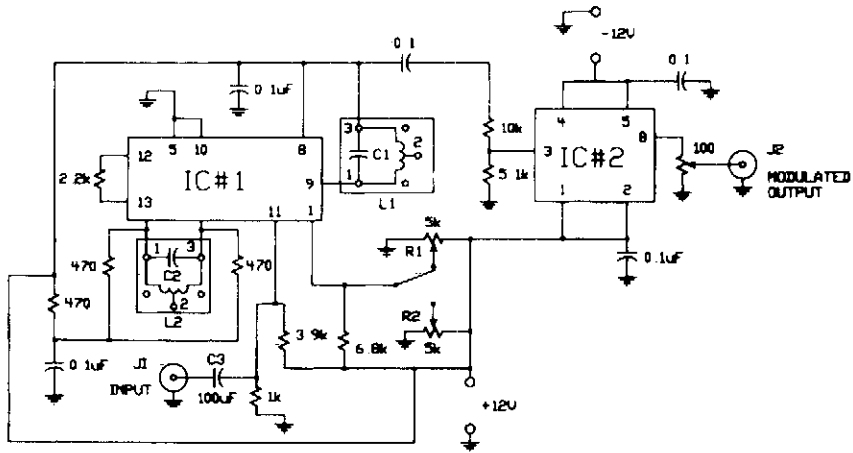
FIG. 59-2

The FM modulator is built with a Motorola MC1648P oscillator. Two varactors, Motorola MV-209, are used to frequency modulate the oscillator. The 5000- Ω potentiometer is used to bias the varactors for best linearity. The output frequency of approximately 100 MHz can be adjusted by changing the value of the inductor. The output frequency can vary as much as 10 MHz on each side. The output level of the modulator is -5 dBm. In this prototype, the varactor bias was 7.5 V for best linearity; but this could be different with other varactors.

555 FM CIRCUIT

IC-1 - Motorola MC-1374P
 IC-2 - National LH0002C
 L1, L2 - Mouser Electronics #4211F200
 C1, C2 - silver mica, 300 pF
 All 0.1 uF cap., ceramic disc, 16V
 C3 - 100 uF, 10 V, electrolytic
 All resistors 5%, 0.25 W

ADJUSTMENT: Adjust R1 for minimum carrier; signal from function generator should generate 500 mVpp at pin 8 of IC-2 (suppressed carrier double sideband). Adjust R2 and function generator level to achieve 800 mVpp at pin 8 of IC-2 (standard AM with carrier). Adjust L2 for 455 kHz. Adjust L1 for maximum output.



RF DESIGN

FIG. 59-3

Circuit for applying a dc-coupled FM or PPM to a 555 configured as an oscillator.

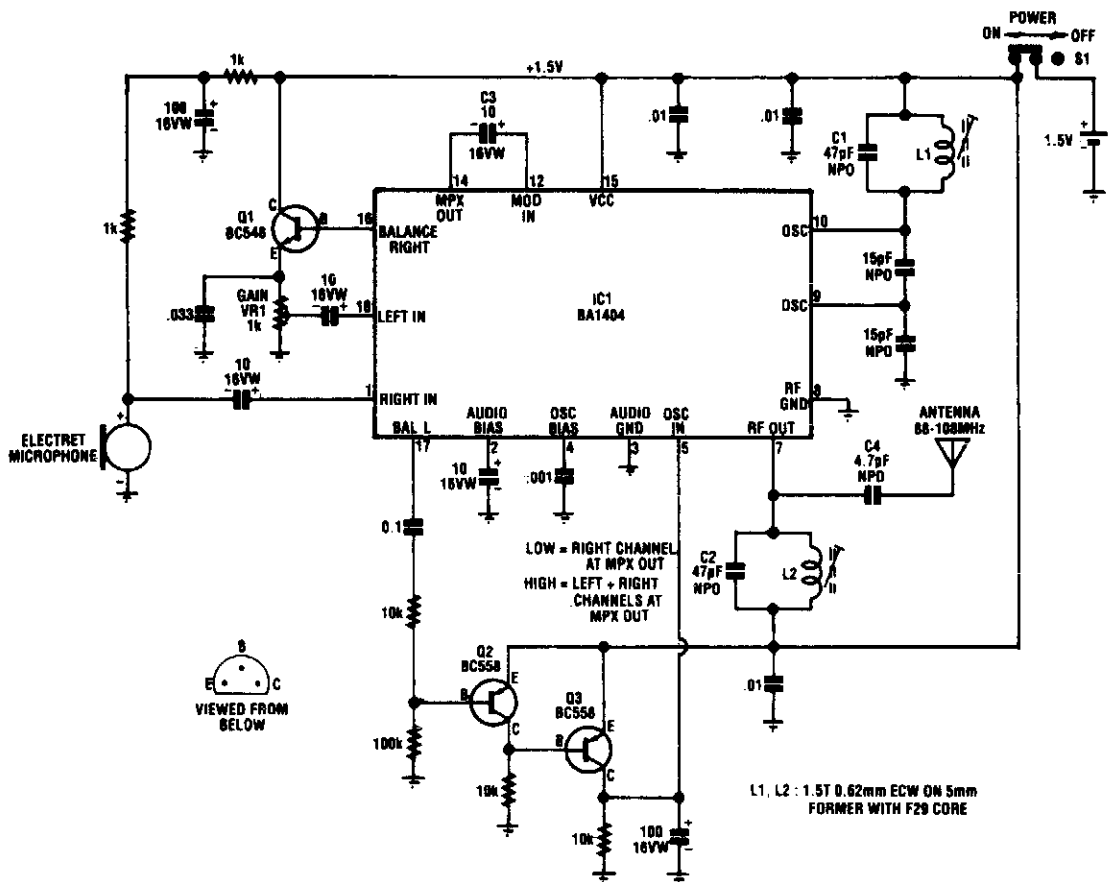
60

Monitor Circuits

The sources of the following circuits are contained in the Sources section, which begins on page 675. The figure number in the box of each circuit correlates to the entry in the Sources section.

Room Monitor
Baby Monitor
Bird Feeder Monitor
Acid-Rain Monitor

ROOM MONITOR

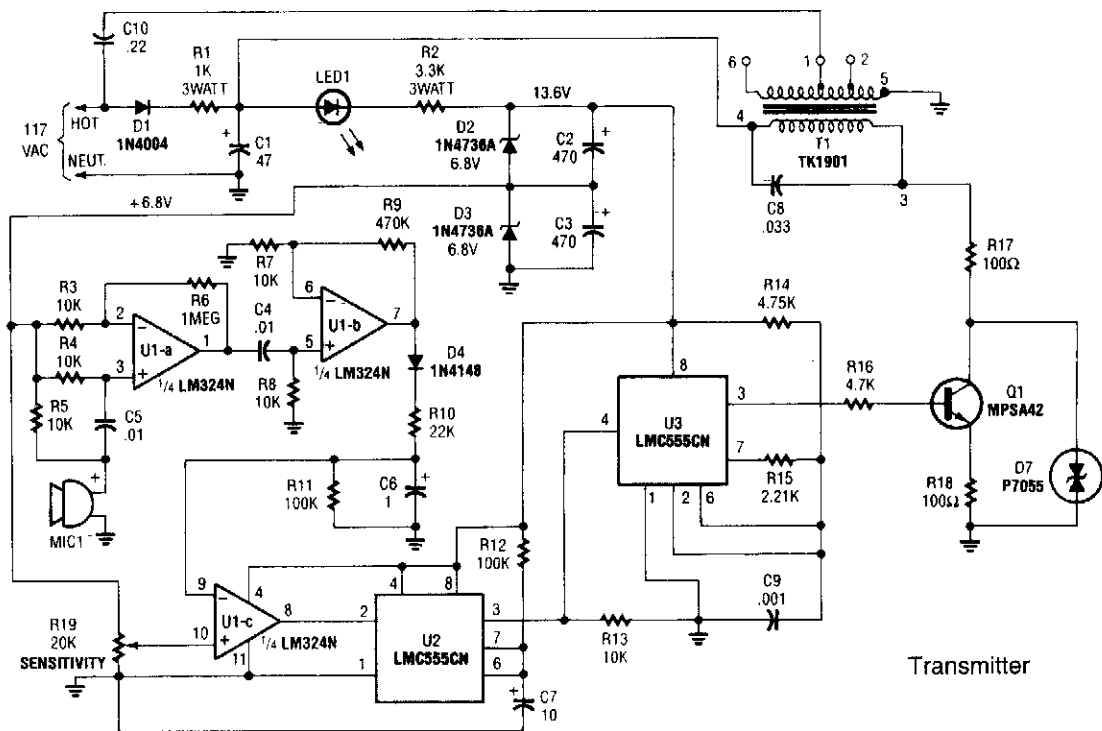


SILICON CHIP

FIG. 60-1

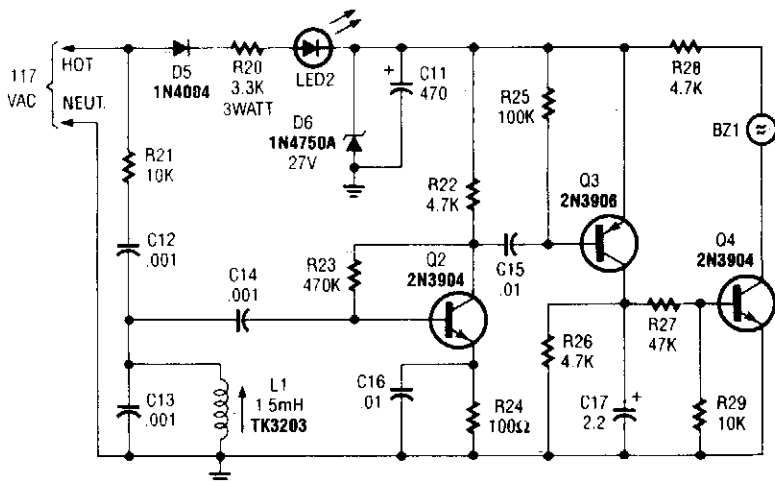
The circuit uses Q1 to buffer the right-channel balance output while Q2 and Q3 form a VOX circuit. When the signal level from the microphone goes high, the output of the VOX also goes high and the multiplexer inside IC1 switches the high-gain left-channel output through to a following buffer stage. This signal is then ac-coupled via C3 into an RF mixer stage and thence to an RF amplifier, which is tuned by C2 and L2.

-BABY MONITOR



Transmitter

A



Receiver

B

BABY MONITOR (Cont.)

Transmitter operation. Operating power for the transmitter circuit is derived directly from the ac line. The dc power to operate the circuit is generated in two stages, one for an RF power-amplifier stage, and the second for the remainder of the circuit.

The ac line voltage is applied to D1, which half-wave rectifies the ac input. The resulting dc voltage (approximately 30V under load) is fed across an RC filter (comprised of R1 and C1) and used to operate amplifier, Q1. The second stage of the power supply (composed of LED1, R2, D2, D3, C2, and C3, which forms a regulated +13.6-V, center-tapped supply) feeds the remainder of the circuit. LED1 is connected in series with R2 and is used as a visual power-on indicator for the transmitter.

An electret microphone element (MIC1) is used as the pick-up. The output of the microphone is ac coupled through C5 to U1-a (a noninverting op amp with a gain of about 100). The output of U1-a at pin 1 is ac coupled through C4 to the noninverting input of U1-b (which provides an additional gain of 48) at pin 5. The output of U1-b at pin 7 is then fed through D4 and R10, and across R11 and C6 to the inverting input of U1-c which is biased to a positive voltage that is set by SENSITIVITY-control R19. This represents a threshold voltage at which the output of U1-c switches from high to low.

During standby, the output of U1-c at pin 8 is held at about 12 V when the voltage developed across C6 is less than the bias-voltage setting at pin 10. When a sound of sufficient intensity and duration is detected, the voltage at pin 9 of U1-c exceeds the threshold level (set by R19), causing U1-c's output at pin 8 to go low. That low is applied to pin 2 of U2 (a 555 oscillator/timer configured as a monostable multivibrator). This causes the output of U2 to go high for about one second, as determined by the time constant of R12 and C7. The output of U2 at pin 3 is applied to pin 4 of U3 (a second 555 oscillator/timer that is configured for astable operation, with a frequency of about 125 kHz). That causes U3 to oscillate, producing a near square-wave output that is used to drive Q1 into conduction. The output of Q1 is applied across a parallel-tuned circuit composed a T1's primary and C8. The tuned circuit, in turn, reshapes the 125-kHz signal, causing a sine-wave-like signal to appear across both the primary and the secondary of T1.

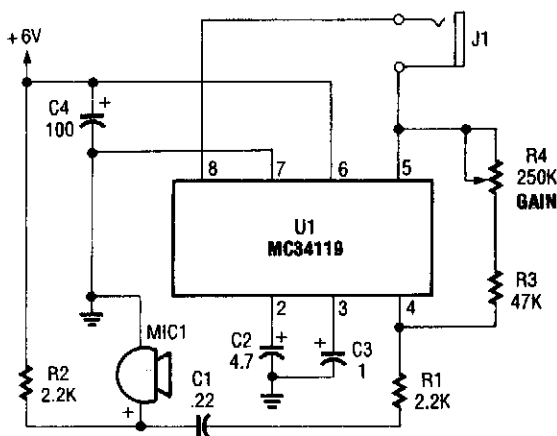
The signal appearing at T1's secondary (about 1 or 2 V peak-to-peak) is impressed across the ac power line, and is then distributed throughout the building without affecting other electrical appliances connected to the line. Transient suppressor D7 is included in the circuit to help protect Q1 from voltage spikes that might appear across the power line and be coupled to the circuit through T1.

Receiver operation. Power for the receiver, as with the transmitter, is derived from a traditional half-wave rectifier (D5). The resulting dc voltage is regulated to 27 V by D6 and R20, and is then filtered by C11 to provide a relatively clean, dc power source for the circuit. A light-emitting diode, LED2, connected in series with R20 provides a visual indication that the circuit is powered and ready to receive a signal.

The 125-kHz signal is plucked from the ac line and coupled through R21 and C12 to a parallel-tuned LC circuit, consisting of C13 and L1. That LC circuit passes 125-kHz signals while attenuating all others. The 125-kHz signal is fed through C14 to the base of Q2 (which is configured as a high-gain linear amplifier), which boosts the relatively low amplitude of the 125-kHz signal. The RF output of Q2 is ac coupled to the base of Q3 through C15. Transistor Q3 acts as both an amplifier and detector. Because there is no bias voltage applied to the base of Q3, it remains cut off until driven by the amplified 125-kHz signal. When Q3 is forward biased, its collector voltage rises.

Capacitor C16, connected across Q3's collector resistor, filters the 125-kHz signal so that it is essentially dc. When the voltage at the collector of Q3 rises, Q4 is driven into conduction. That causes current to flow into piezo buzzer BZ1, producing a distinctive audio tone that alerts anyone within earshot that the baby needs attention.

BIRD FEEDER MONITOR



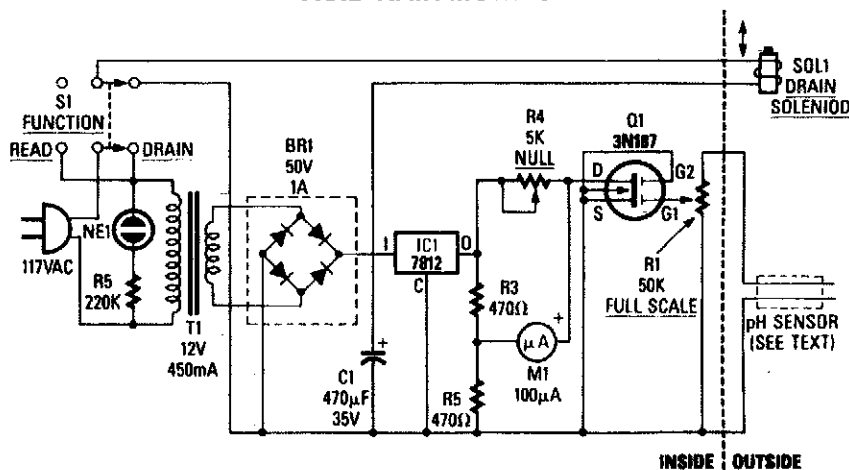
The first amplifier circuit is a bird phone. In this circuit, the electret mike (MIC1) is mounted in the neck of a large plastic funnel. The amplifier, built around an MC34119 (which is available from D.C. Electronics, P.O. Box 3203, Scottsdale, AZ 85271-3203; Tel. 800-467-7736, and elsewhere), is then placed outside of the funnel with the pick-up facing a nearby bird feeder. The output of the amplifier is then connected to a 16- Ω speaker.

The amplifier's voltage gain is determined by the values of the input resistor (R1) and the feed-back resistor (R3 and R4, respectively). The differential gain of the amplifier is given by: $R_3 + R_4/R_1 \times 2$. With the component values shown, the maximum voltage gain is about 270. This permits listening to the activity at the bird feeder.

POPULAR ELECTRONICS

FIG. 60-3

ACID-RAIN MONITOR



R-E EXPERIMENTERS HANDBOOK

FIG. 60-4

The drain-to-source resistance of Q1 varies depending on the acidity of the sample presented to Q1's gate circuit. That variable resistance varies the current flowing through the bridge; that current is proportional to pH.

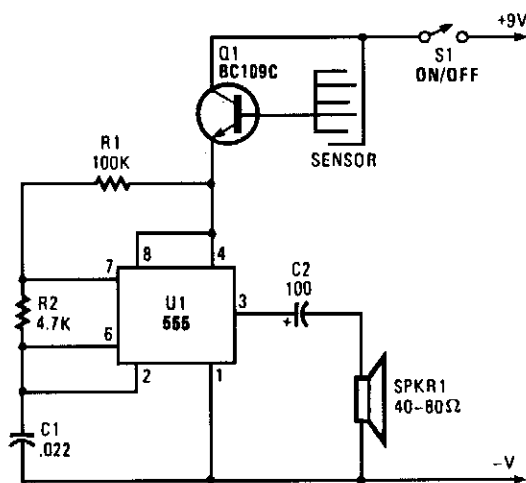
61

Moisture- and Fluid-Detector Circuits

The sources of the following circuits are contained in the Sources section, which begins on page 675. The figure number in the box of each circuit correlates to the entry in the Sources section.

Water-Activated Alarm
Simple Flood Alarm
Moisture Detector

WATER-ACTIVATED ALARM

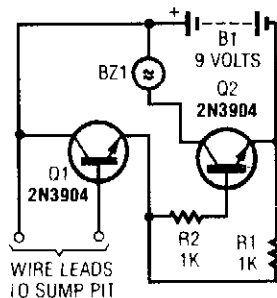


POPULAR ELECTRONICS

FIG. 61-1

When sensor gets wet, it conducts, forward-biases Q1, and activates audio oscillator U1. A tone is heard from the speaker.

SIMPLE FLOOD ALARM

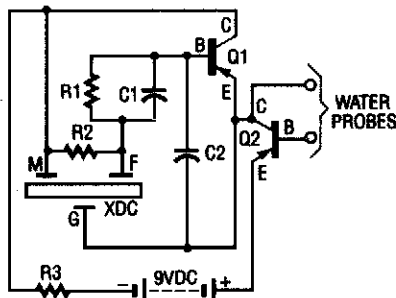


POPULAR ELECTRONICS

FIG. 61-2

A common collector amplifier drives a 2N3904 switch to sound alarm BZ1. The wire leads to water sensor or sump pit, level switch, etc. and used to allow the alarm to operate and be mounted in a dry place.

MOISTURE DETECTOR



1991 PE HOBBYIST HANDBOOK

FIG. 61-3

The moisture detector uses two transistors and a piezoelectric transducer to sound an alarm tone when water is present. Transistor Q1 forms a crystal-controlled oscillator, using a portion of piezoelectric transducer XDC—which contains two piezoelectric crystal regions—as the crystal. The transducer has three separate leads. One lead goes to each of the crystals, and the third lead is common to both.

The smaller internal crystal region sets the frequency of operation and the larger element is driven by Q1 (when it is biased “on”) to provide the loud tone output. To turn the pnp transistor Q1 (used as an oscillator) “on” pnp transistor Q2 (used here as a switch) must be on. To turn it “on” with the biasing that is normally connected, you would only need to connect a resistor from the collector of Q2 to the base, which gives the base a negative (–) bias. The resistor used is the water that is to be detected. That turns Q2 on, which, in turn, turns on Q1. The result when water touches the probe is that the transducer emits a loud sound.

C1, C2	0.1- μ F Mylar Capacitor
Q1, Q2	2N3906 Transistor
R1	6.8-k Ω Resistor
R2	33-k Ω Resistor
R3	200- Ω Resistor
XDC	Piezoelectric Transducer

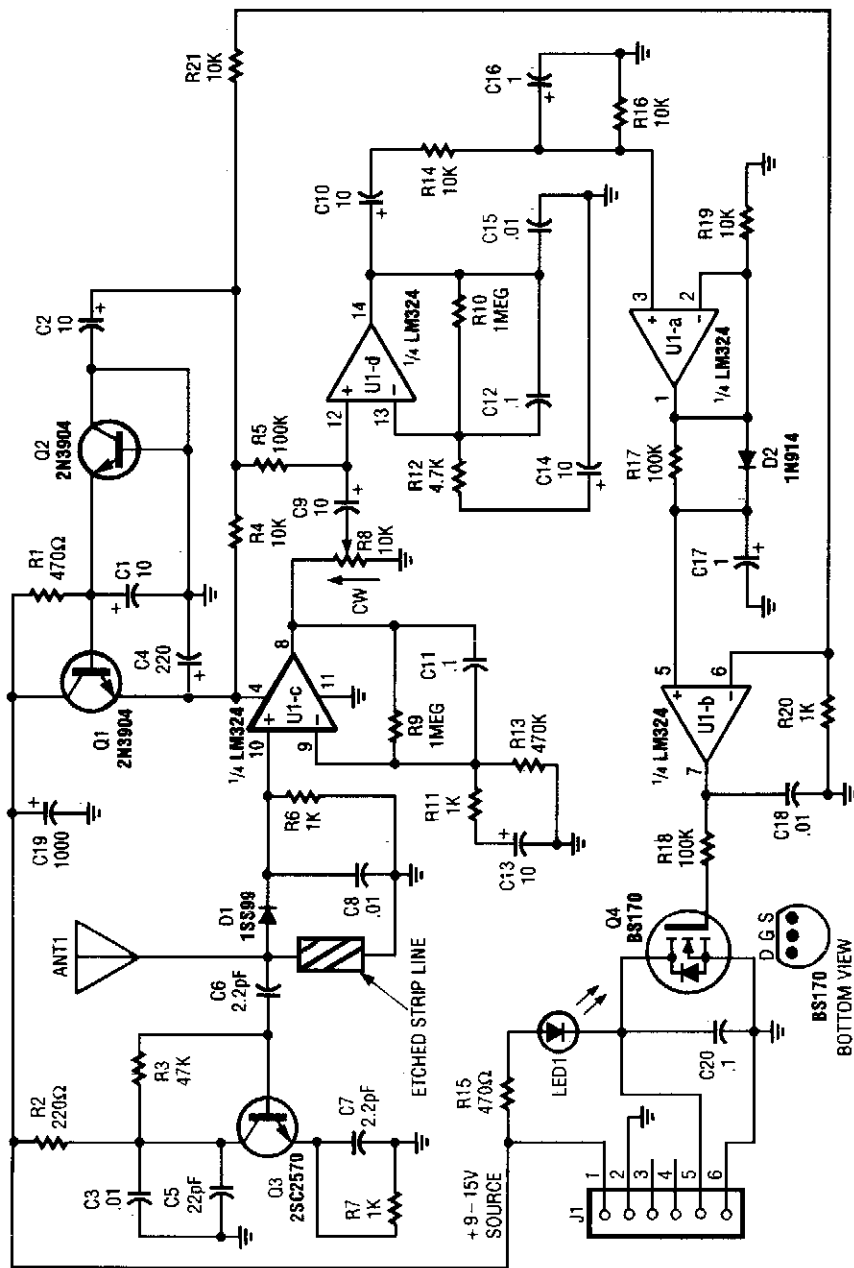
62

Motion Detector Circuit

The source of the following circuit is contained in the Sources section, which begins on page 675. The figure number in the box of the circuit correlates to the entry in the Sources section.

Microwave Motion Detector

MICROWAVE MOTION DETECTOR



POPULAR ELECTRONICS

FIG. 62-1

Operating at around 1.1 GHz, the detector senses field disturbance in the neighborhood of the antenna. The Doppler signal from detector D1 is amplified and drives a power MOSFET switch. The antenna is a short (2 to 3") length of wire.

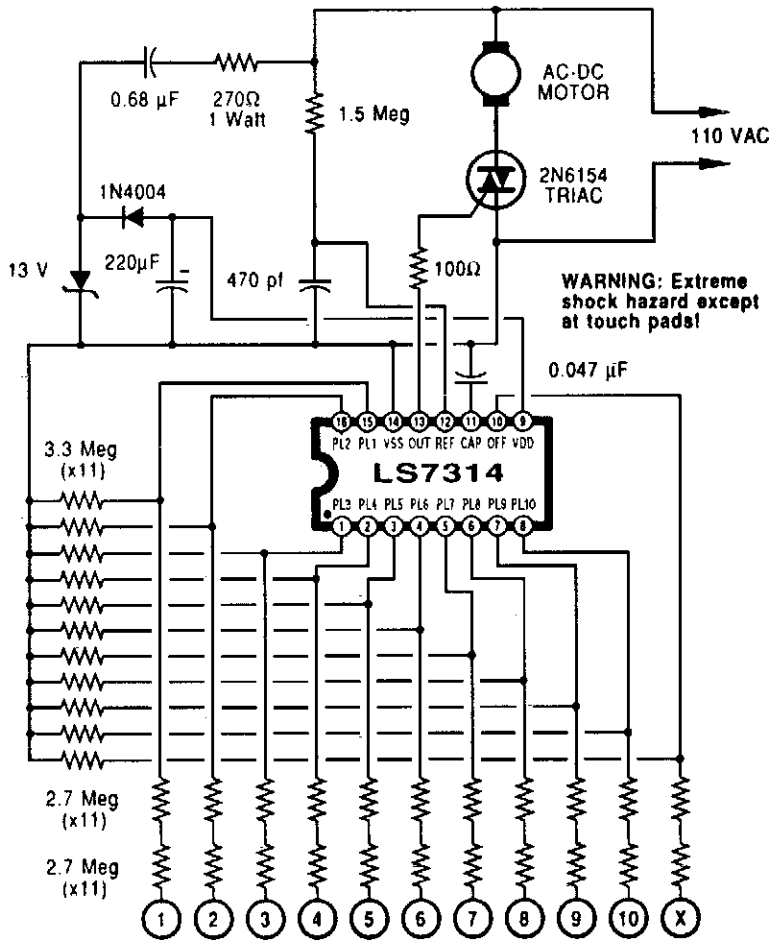
63

Motor-Control Circuits

The sources of the following circuits are contained in the Sources section, which begins on page 675. The figure number in the box of each circuit correlates to the entry in the Sources section.

- Blender-Control Circuit
- PWM Motor-Drive Circuit
- Speed-Control Switch Circuit
- Piezo Motor Drive
- Pulse-Width-Modulated Motor-Speed Control
- Speed-Control Switch

BLENDER-CONTROL CIRCUIT



A 10-speed touch-control blender circuit that uses the low-cost LS314 chip by LSI Systems. The 11th touch pad is for power off.

PWM MOTOR-DRIVE CIRCUIT

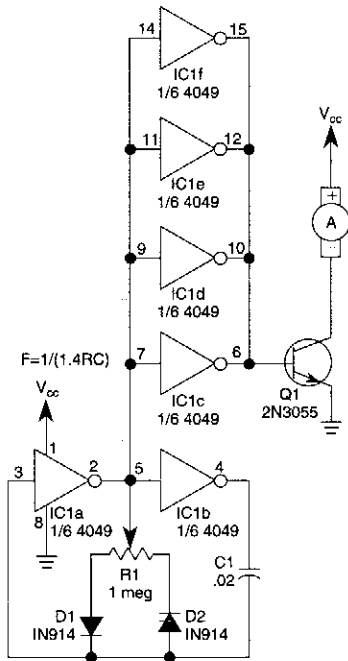
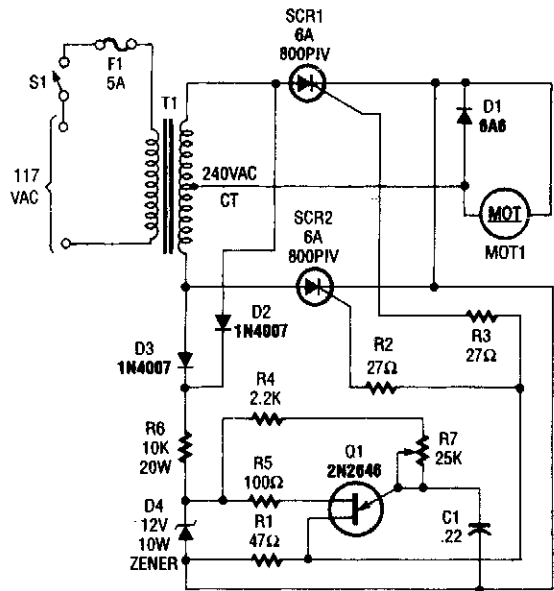


FIG. 63-2

RADIO-ELECTRONICS

This circuit will drive a small dc motor over a wide range of speeds without stalling by controlling the duty cycle of the motor, rather than the supply voltage.

SPEED-CONTROL SWITCH CIRCUIT



POPULAR ELECTRONICS

FIG. 63-3

A center-tapped 240-V transformer is used with two SCR devices to provide rectified ac (pulsating dc) to MOT1. Q1 is a UJT ramp generator used to generate trigger pulses for SCR1 and SCR2.

PIEZO MOTOR DRIVE

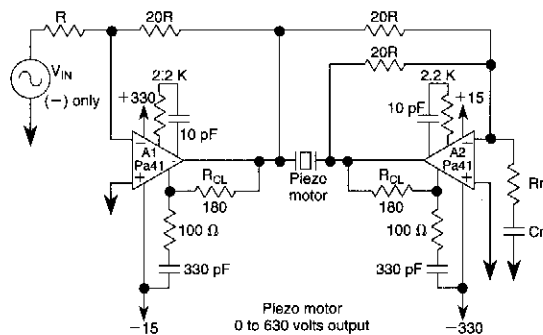
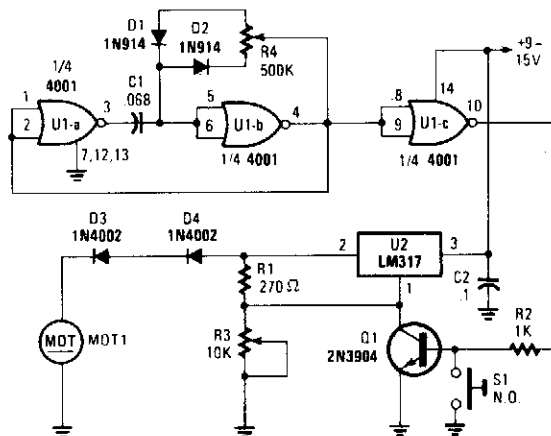


FIG. 63-4

ELECTRONIC DESIGN

Using two Apex Microtechnology PA41 devices in a bridge circuit, this piezo motor driver delivers 0- to 630-V output.

PULSE-WIDTH-MODULATED MOTOR-SPEED CONTROL



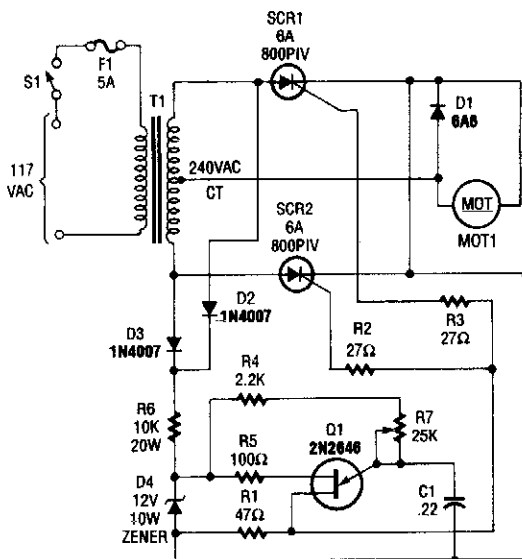
POPULAR ELECTRONICS

FIG. 63-5

Connected in this manner, an LM317 1-A adjustable-voltage regulator can be used to control the speed of a miniature dc motor or vary the brilliance of a small lamp. The circuit does so by controlling the pulse width, and therefore the current, to the load device.

To set the desired maximum output voltage, momentarily close S1 and adjust R3. Connect either a lamp or small dc motor (as is shown in the schematic to the circuit's output) and adjust R4 for the desired results. Any device that is driven by this circuit should have a current requirement of 1 A or less. And you should be sure to use good-sized heatsink for the LM317 regulator IC.

SPEED-CONTROL SWITCH



POPULAR ELECTRONICS

FIG. 63-6

The speed-control switch offers reasonably good control and stability to both ends of its operating range. This circuit uses two SCR devices in a full-wave configuration to control the dc power to a motor. A center-tapped transformer is used to supply the SCRs.

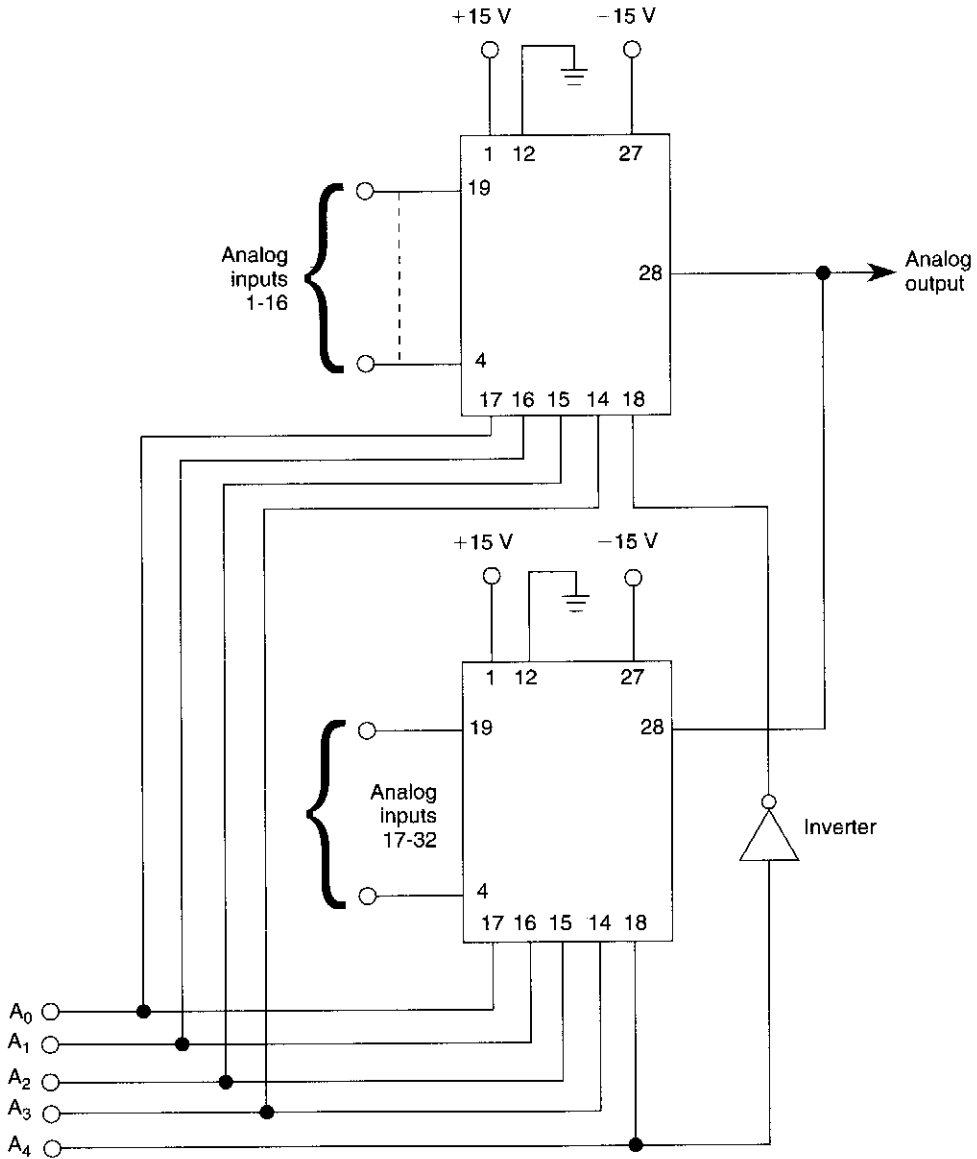
64

Multiplexer Circuit

The source of the following circuit is contained in the Sources section, which begins on page 675. The figure number in the box of the circuit correlates to the entry in the Sources section.

32-Channel Analog Multiplexer

32-CHANNEL ANALOG MULTIPLEXER



WILLIAM SHEETS

FIG. 64-1

Using two Siliconix DG506 multiplexer chips, this 32-channel analog multiplexer selects 1 of 32 channels, depending on the data inputs $A_0 - A_4$.

65

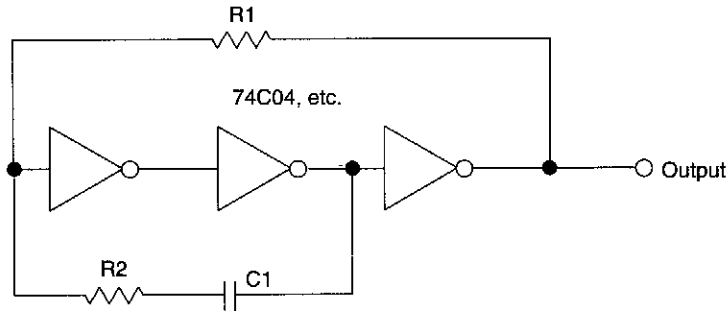
Multivibrator Circuits

The sources of the following circuits are contained in the Sources section, which begins on page 675. The figure number in the box of each circuit correlates to the entry in the Sources section.

Improved CMOS Multivibrator
Very Low Frequency Multivibrator
Monostable Multivibrator I
Astable Multivibrator or Free-Running
Square-Wave Oscillator
Astable Multivibrator I

Monostable Multivibrator II
Astable Multivibrator II
One-Shot Multivibrator
Flip-Flop or Bistable Multivibrator
with Pushbutton Triggering
Free-Running Multivibrator Using Op Amp

IMPROVED CMOS MULTIVIBRATOR

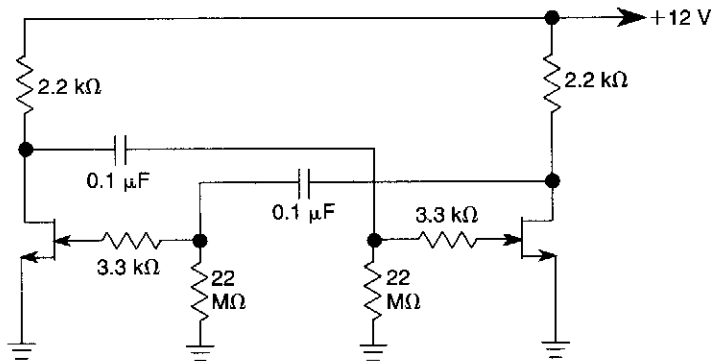


WILLIAM SHEETS

FIG. 65-1

This circuit uses a protective resistor $R2$ in conjunction with feedback resistor $R1$. Together, they form a voltage divider to reduce the input voltage amplitude for IC1-a so that the protective diodes never conduct. This improves temperature and voltage stability of the multivibrator.

VERY LOW FREQUENCY MULTIVIBRATOR



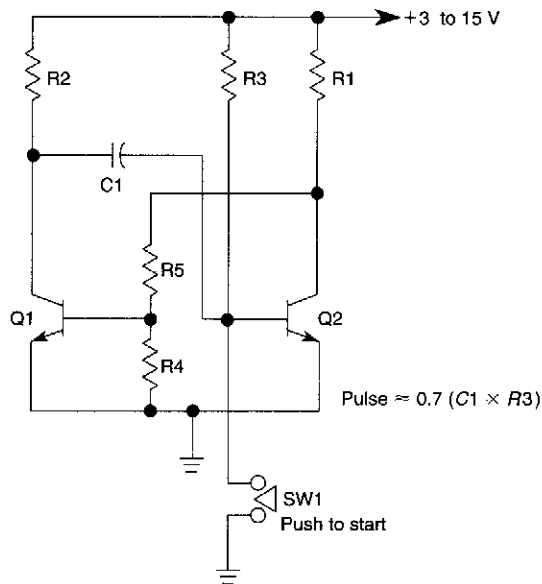
JFETs Transistor: N-channel (MPF102, etc.)

WILLIAM SHEETS

FIG. 65-2

The use of JFETs permits, high resistance and long time constants in this very low frequency multivibrator. The values shown are for 0.15 Hz operation.

MONOSTABLE MULTIVIBRATOR I

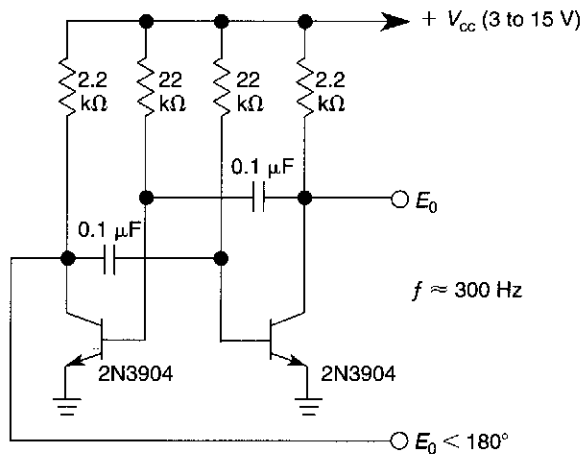


WILLIAM SHEETS

FIG. 65-3

This circuit is activated when SW1 is pushed to ground the base of transistor Q2. The pulse rate is approximately equal to $0.7(R3 \times C1)$.

ASTABLE MULTIVIBRATOR OR FREE-RUNNING SQUARE-WAVE OSCILLATOR

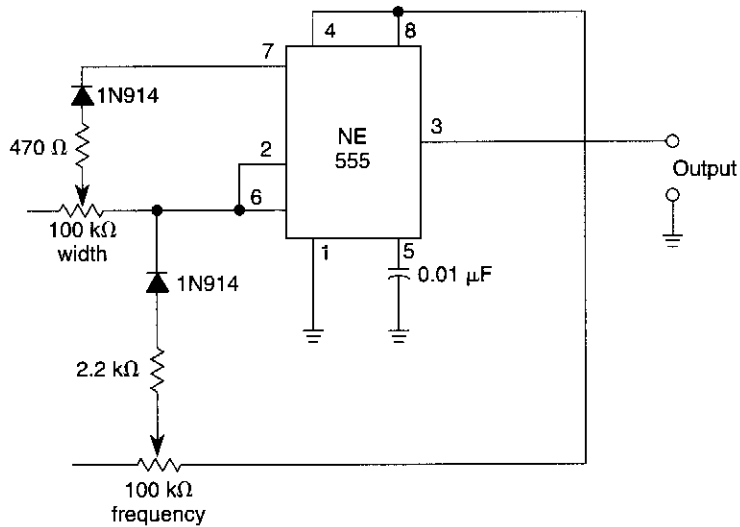


WILLIAM SHEETS

FIG. 65-4

This free-running square-wave oscillator uses two npn transistors. Output frequency is approximately 300 Hz with the values shown.

ASTABLE MULTIVIBRATOR I

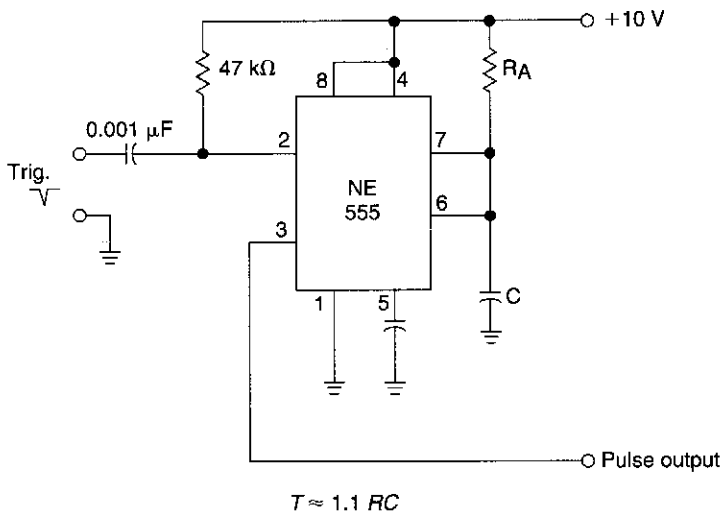


WILLIAM SHEETS

FIG. 65-5

In this multivibrator circuit frequency and pulse width can be separately controlled by using steering diodes (1N914) and two potentiometers.

MONOSTABLE MULTIVIBRATOR II

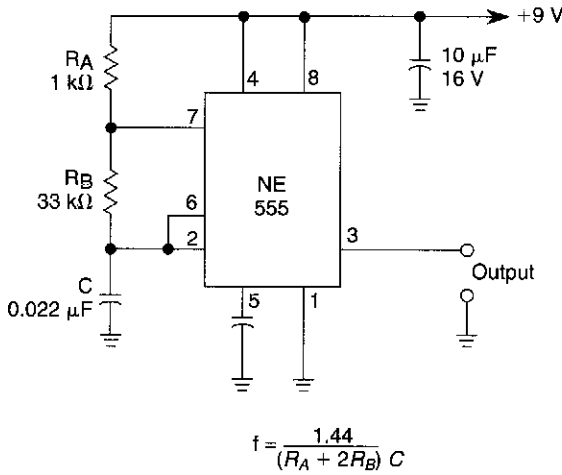


WILLIAM SHEETS

FIG. 65-6

The time constant of $R_A C$ determines the period of the monostable multivibrator. A negative pulse at pin 2 of the 555 starts the cycle.

ASTABLE MULTIVIBRATOR II

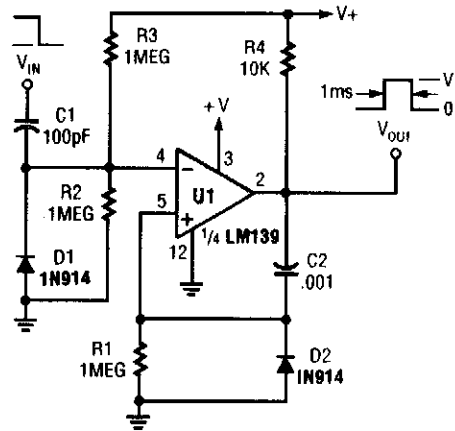


WILLIAM SHEETS

FIG. 65-7

An astable multivibrator based on the 555 is shown. Freq is approximately 975 Hz as determined by the values of R_B and C .

ONE-SHOT MULTIVIBRATOR

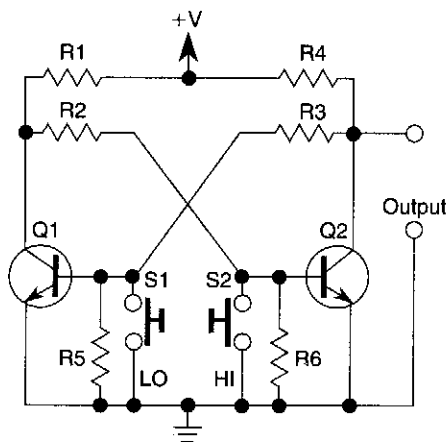


POPULAR ELECTRONICS

FIG. 65-8

A section of a quad LM139 is used here as a one-shot pulse former.

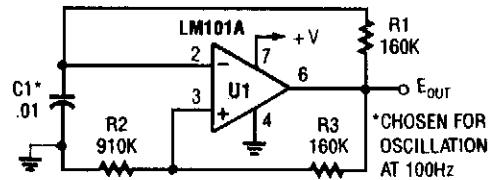
FLIP-FLOP OR BISTABLE MULTIVIBRATOR WITH PUSHBUTTON TRIGGERING



ELECTRONICS NOW

FIG. 65-9

FREE-RUNNING MULTIVIBRATOR USING OP AMP



POPULAR ELECTRONICS

FIG. 65-10

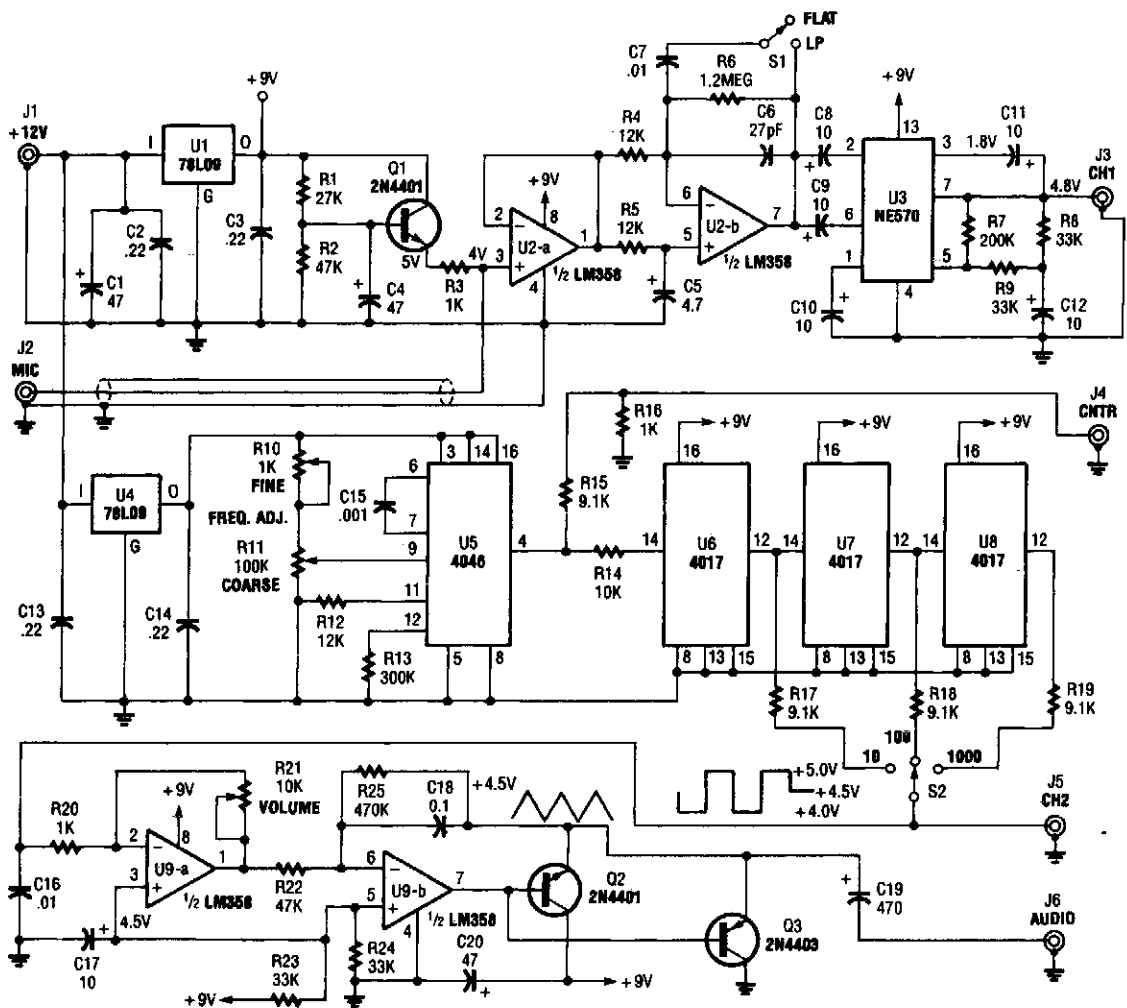
66

Musical Circuits

The sources of the following circuits are contained in the Sources section, which begins on page 575. The figure number in the box of each circuit correlates to the entry in the Sources section.

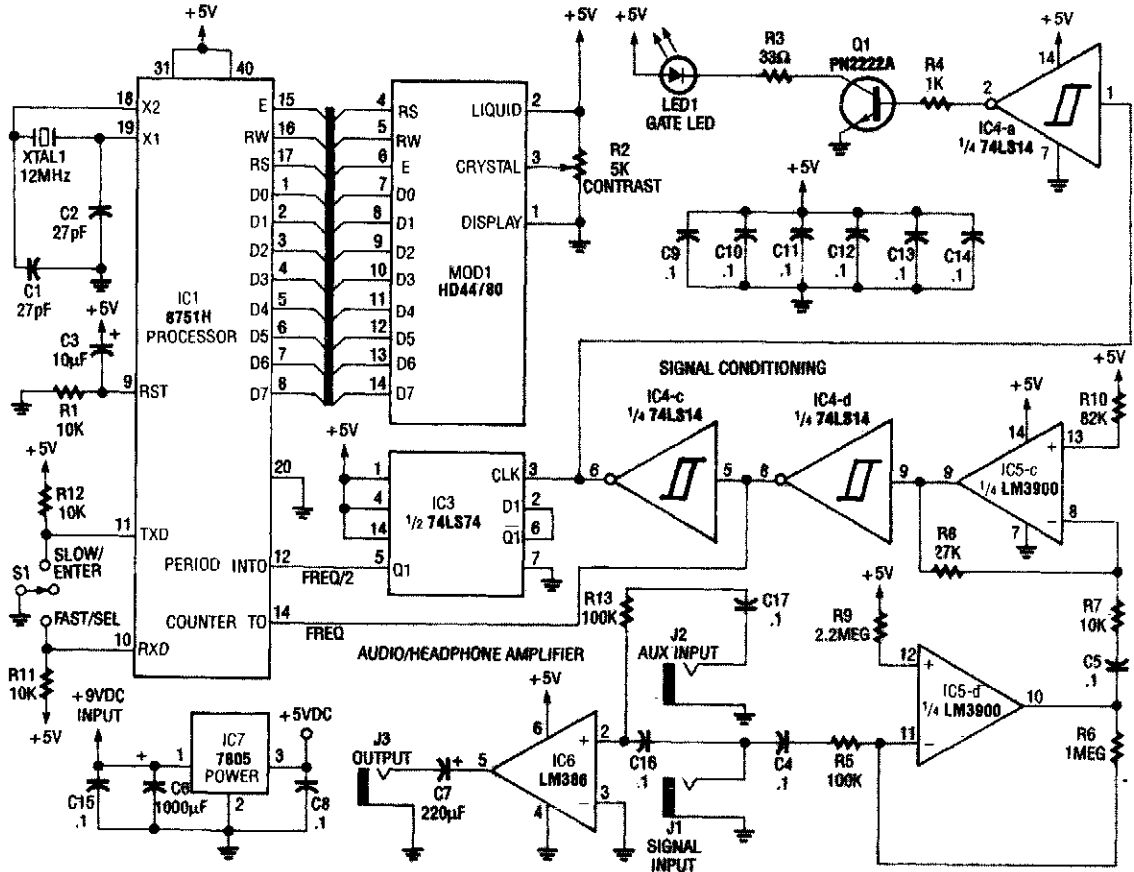
Precision Audio Generator for Musical Instrument Tune-Up
Perfect Pitch
Musical Instrument Digital Interface (MIDI) Receiver
Electronic Metronome
Musical Instrument Digital Interface (MIDI) Transmitter
Melody Circuit
Top Octave Generator

PRECISION AUDIO GENERATOR FOR MUSICAL INSTRUMENT TUNE-UP



One section of the precision audio frequency generator uses an electret microphone element to pick up audio from the piano. That signal is then processed and sent to one channel of a dual-trace oscilloscope. The other section of the circuit is used to produce a variable-frequency signal that is fed to a digital frequency counter. After conditioning, the audio signal is presented to the second channel of the scope and output to a set of stereo headphones.

PERFECT PITCH

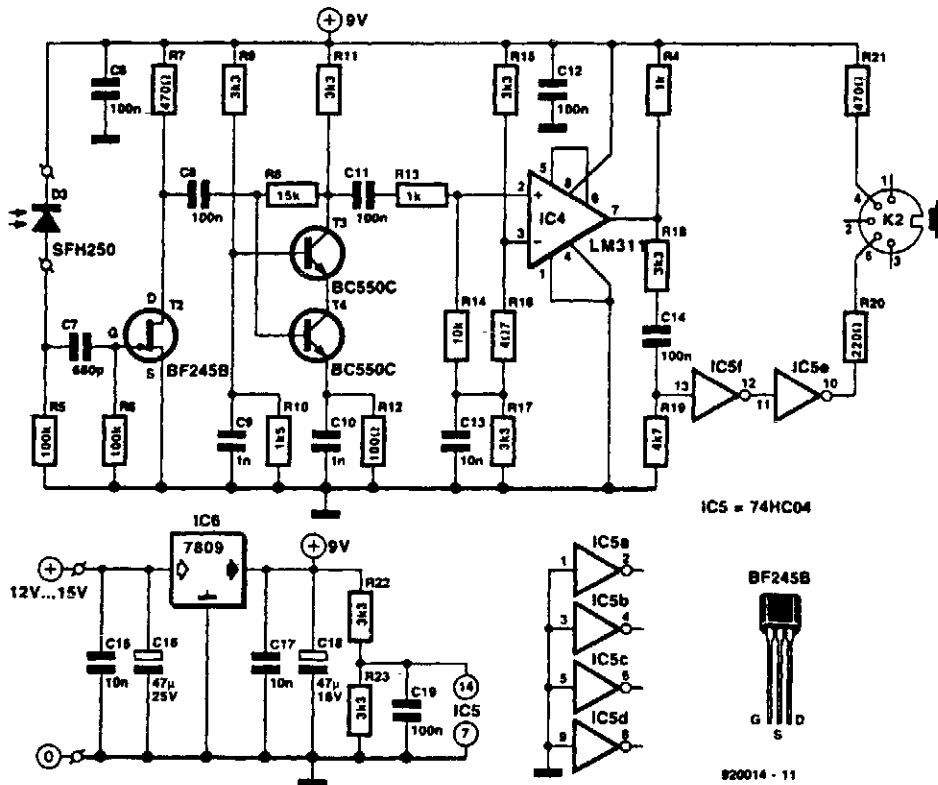


ELECTRONICS NOW

FIG. 66-2

Perfect pitch, which is based on the 8751 H microprocessor, is an inexpensive and easy-to-build instrument tuner/frequency counter with a built-in headphone amplifier and a visual metronome. Perfect pitch converts the audio signal from your instrument to a digital signal, and displays the musical note you are playing and its frequency in real time on a 16-character liquid-crystal display. It also has an auxiliary audio input for radio, tape, or CD players so that you can tune up and play along with your favorite artists.

MUSICAL INSTRUMENT DIGITAL INTERFACE (MIDI) RECEIVER

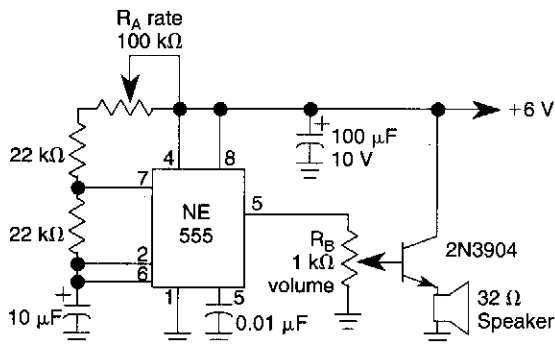


ELEKTOR ELECTRONICS

FIG. 66-3

Receiver photodiode SFH250 is used to convert optical data pulses at 32.5 Kb to electrical signals. Buffer T2 feeds the signals to cascade amplifier T3-T4, then to op amp IC4, and buffers IC5-f and IC5-e. IC6 supplies 9 V for the circuit.

ELECTRONIC METRONOME

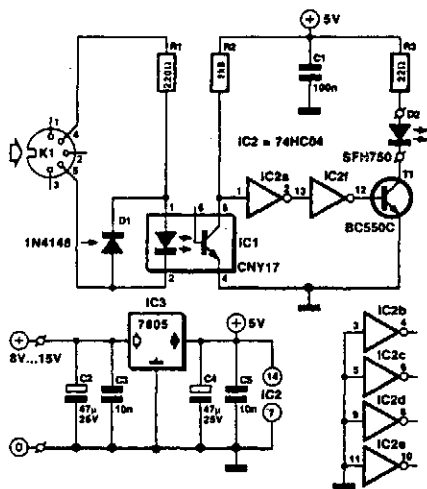


R_A sets the rate while R_B sets the volume of clocks in the speaker. The 555 is configured as a low frequency oscillator. The circuit is powered by a 6 V battery.

ELECTRONICS NOW

FIG. 66-4

MUSICAL INSTRUMENT DIGITAL INTERFACE (MIDI) TRANSMITTER

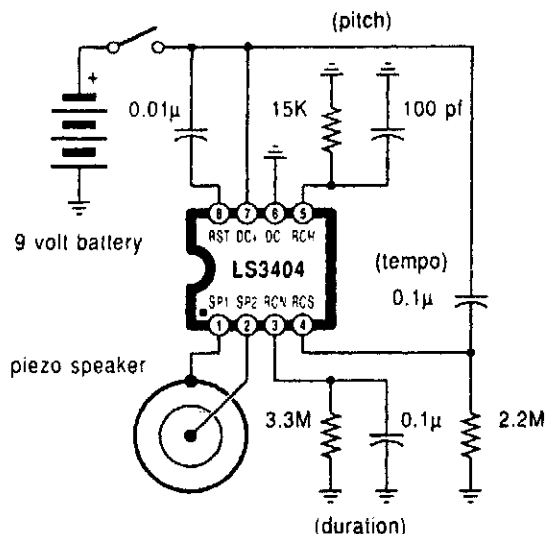


ELEKTOR ELECTRONICS

FIG. 66-5

Used for digital control of musical instruments, this transmitter converts the digital data signals to equivalent optical signals for fiberoptic cable interface. Optocoupler IC1 provides isolation, and drives IC2-a and -b and T1, and finally provides a cable driver LED (SFH750).

MELODY CIRCUIT



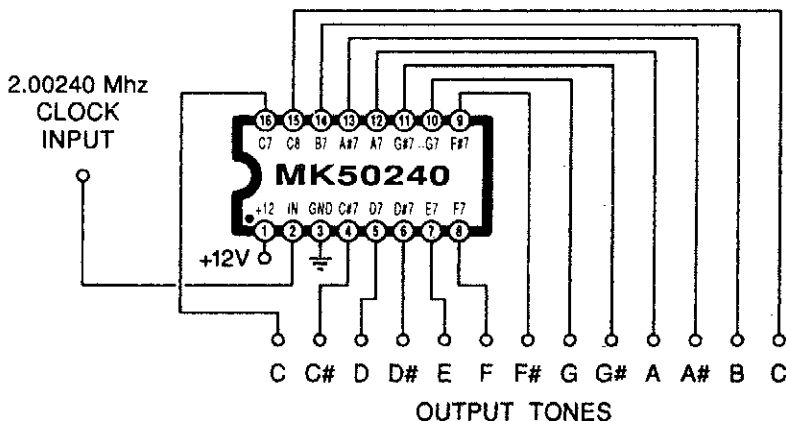
RADIO-ELECTRONICS

FIG. 66-6

A high-quality melody circuit. The slow decay waveform produced will create chime-like notes. Pitch, tempo, and duration are all adjustable.

TOP OCTAVE GENERATOR

Inputs and outputs are 12 volt square waves



RADIO-ELECTRONICS

FIG. 66-7

Using an MK50240, this circuit produces 12 top octave tones. The input and output lines can be divided using a binary divider IC to obtain the lower notes.

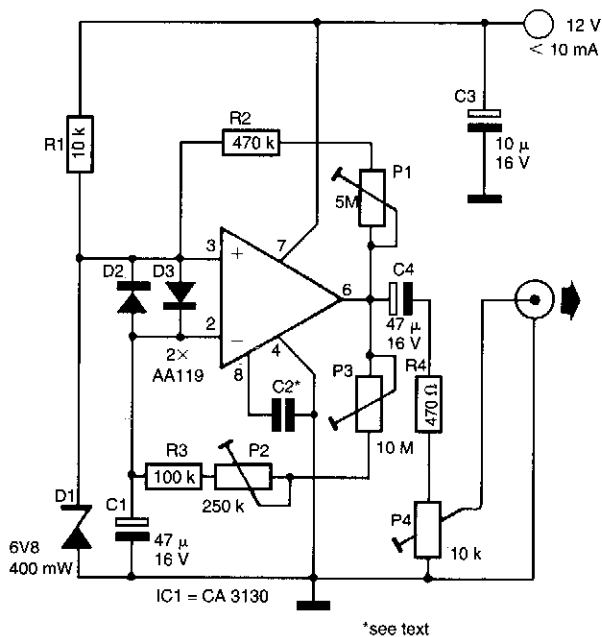
67

Noise-Generator Circuits

The source of the following circuit is contained in the Sources section, which begins on page 675. The figure number in the box of the circuit correlates to the entry in the Sources section.

Noise Generator

NOISE GENERATOR



303 CIRCUITS

FIG. 67-1

This circuit generates noise pulses that are suitable for test purposes, etc. A zener diode is used as a noise source. IC1 is a relaxation oscillator. P1 determines noise bandwidth, and P2 and P3 the noise amplification. Current consumption is 10 mA @ 12 Vdc.

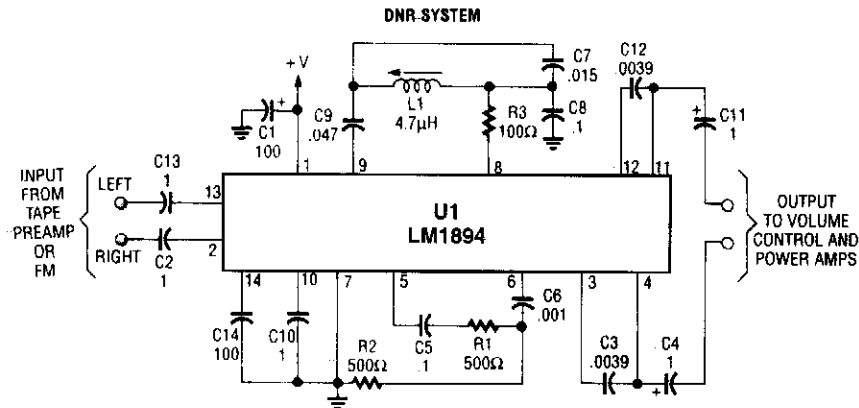
68

Noise-Limiting Circuits

The sources of the following circuits are contained in the Sources section, which begins on page 675. The figure number in the box of each circuit correlates to the entry in the Sources section.

Audio Dynamic Noise-Reduction System
Amplified Noise Limiter for SW Receivers
Receiver AF Noise Limiter for Low-Level Signals
Simple Noise Limiter for Receivers

AUDIO DYNAMIC NOISE-REDUCTION SYSTEM

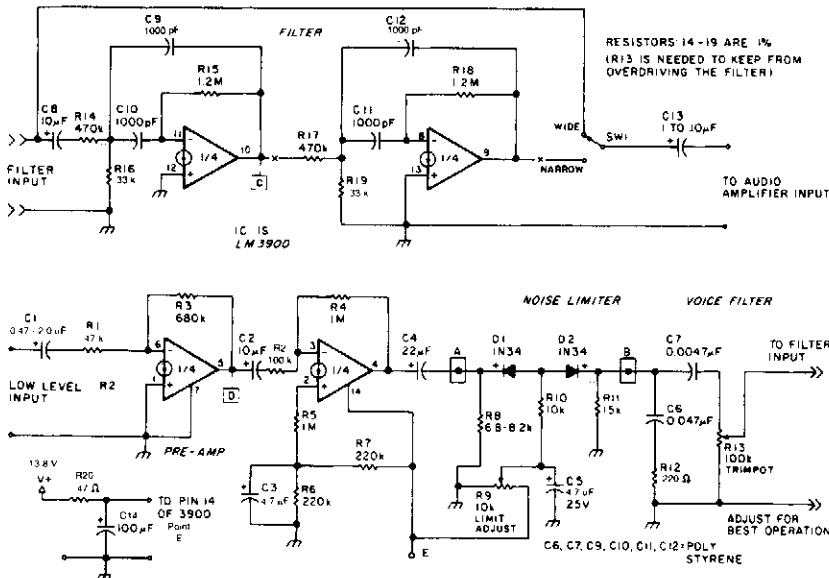


POPULAR ELECTRONICS

FIG. 68-1

U1 is a dedicated IC (National Semiconductor) that achieves up to 10 dB noise reduction by an adaptive bandwidth scheme and a psycho acoustic masking technique.

AMPLIFIED NOISE LIMITER FOR SW RECEIVERS

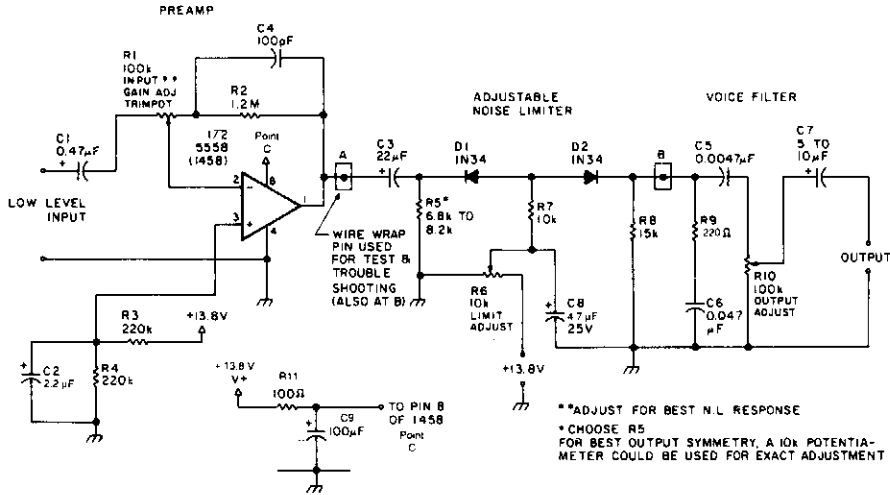


73 AMATEUR RADIO TODAY

FIG. 68-2

The noise limiter circuit has a preamplifier clipper, and a switchable audio bandpass filter. Audio levels in the 5- to 50-mV range are amplified in a preamp to several volts p-p, fed to a clipper, voice band filter, then to a narrow band active filter which can be switched in and out of the circuit.

RECEIVER AF NOISE LIMITER FOR LOW-LEVEL SIGNALS

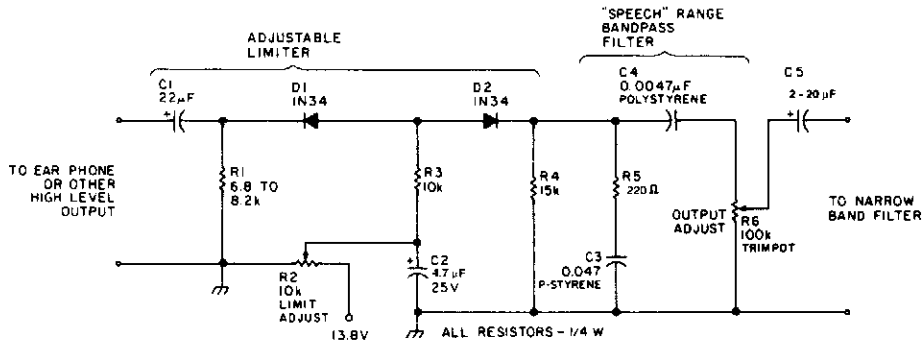


73 AMATEUR RADIO TODAY

FIG. 68-3

A preamplifier in the audio frequency range amplifies a noisy audio signal to drive a diode clipper. Suitable audio input levels would be in the 10-mV to 1-V range.

SIMPLE NOISE LIMITER FOR RECEIVERS



73 AMATEUR RADIO TODAY

FIG. 68-4

This circuit uses a diode series clipper to limit noise peaks on a received signal. It is best used where several volts p-p of audio signal are available.

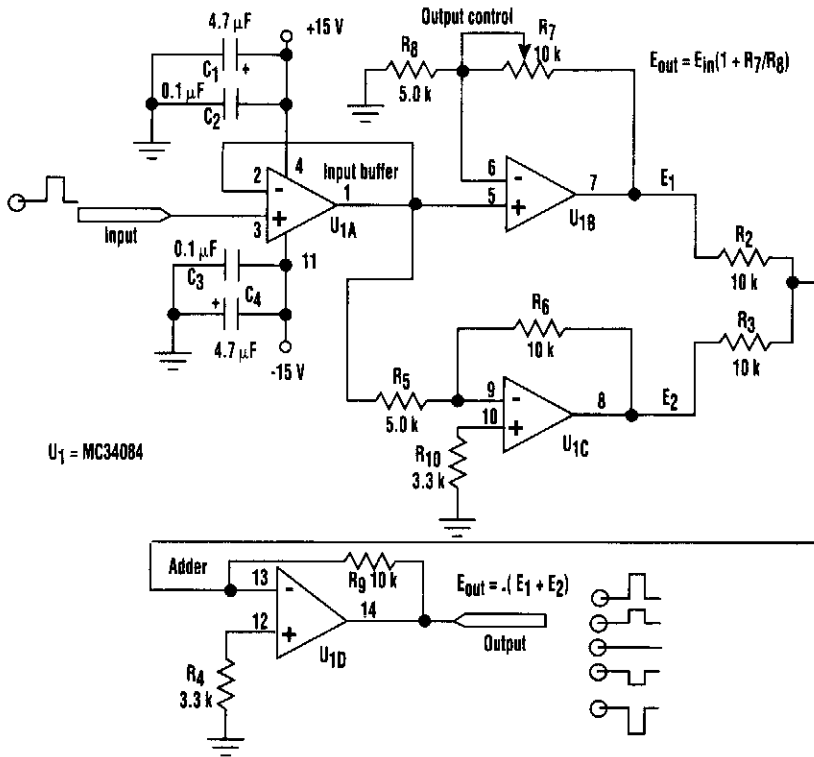
69

Operational-Amplifier Circuits

The sources of the following circuits are contained in the Sources section, which begins on page 675. The figure number in the box of each circuit correlates to the entry in the Sources section.

Polarity Gain Adjustment
Fast Composite Amplifier
Non-Linear Operational Amplifier with
Temperature-Compensated Breakpoints
Power Op Amp
Variable Gain Op-Amp Circuit
Low Noise and Drift Composite Amp
High-GBW Op Amp
Single Op-Amp Full-Wave Rectifier

POLARITY GAIN ADJUSTMENT



ELECTRONIC DESIGN

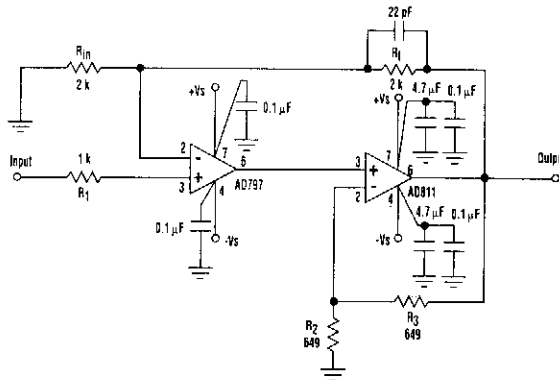
FIG. 69-1

By adjusting one potentiometer, this circuit's output can be varied from a positive-going version of the input signal, smoothly through zero output, then to a negative-going version of the input (see the figure). If the input signal is a positive pulse of, for example, +2-V peak, the output pulse amplitude can be smoothly varied from +2-V through ground (no output) to a -2-V peak.

Taking a closer look at the setup, assume that the signal has a +2-V peak input. The A section of the quad op amp is an input buffer, op amp C provides a fixed negative-going output of -4-V peak, and op amp B supplies a positive-going output that varies from +2-V to +6-V peak. The D section adds the B and C outputs. Thus, by varying the B output, the circuit output varies smoothly from -2-V to +2-V peak.

The circuit can, of course, also be used as a 0°/180° phase switcher. For instance, with a ground-centered sine-wave input of 4V p-p, the output varies from 4-V p-p in phase with the input, smoothly through 0 V, to 4V p-p 180° out of phase with the input.

FAST COMPOSITE AMPLIFIER



ELECTRONIC DESIGN

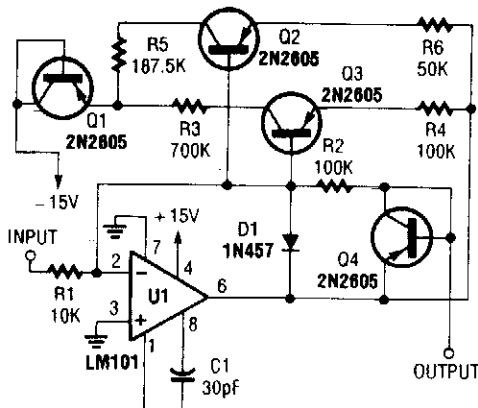
FIG. 69-2

An ultra-low-noise, low-distortion op amp—the AD797—is combined with the AD811 op amp, which offers a high bandwidth and a 100-mA output drive capability. The composite-amplifier circuit serves quite well when driving high resolution ADC's and ATE systems.

The fast AD811 operates at twice the gain of the AD797 so that the slower amplifier need only slew one-half of the total output swing. Using the component values shown, the circuit is capable of better than -90 dB THD with a ± 5 -V, 500-kHz output signal. If a 100-kHz sine-wave input is used, the circuit will drive a 600- Ω load to a level of 7 V rms with less than -109 dB THD, as well as a 10-k Ω load at less than -117 dB THD.

The device can be modified to supply an overall gain of 5 by changing both the R_f/R_{in} ratio and R_3/R_2 ratio to 4:1. This raises the gains of AD811 and the total circuit while maintaining the AD797 at unity gain. If only the R_f/R_{in} ratio is changed, the circuit might become unstable. In contrast, if only the R_3/R_2 ratio is varied, the AD797 will then operate at gain. Subsequently, the circuit will have a lower overall bandwidth. R_1 should be equal to the parallel combination of R_{in} and R_f .

NONLINEAR OPERATIONAL AMPLIFIER WITH TEMPERATURE-COMPENSATED BREAKPOINTS

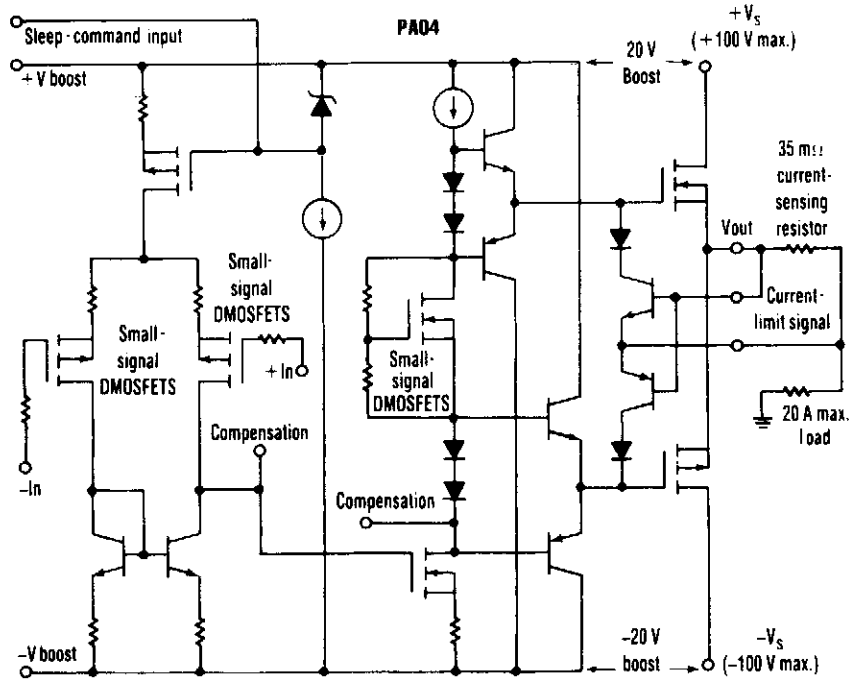


Using resistor and transistor feedback elements, this operational amplifier circuit can be used as a nonlinear amplifier. R_4 and R_6 can be varied to change breakpoints, as required.

POPULAR ELECTRONICS

FIG. 69-3

POWER OP AMP

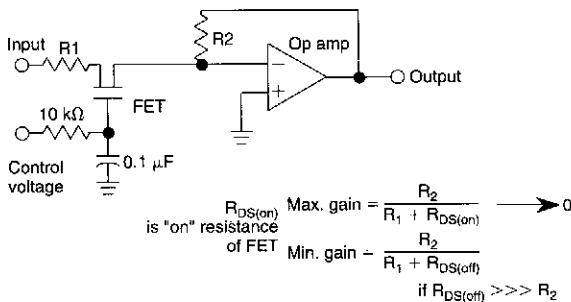


ELECTRONIC DESIGN

FIG. 69-4

This circuit from Apex Microtechnology can deliver 180 V p-p @ 90 kHz into a 4-Ω load. The PA04 can deliver 400-W RMS into an 8-Ω load with low THD at frequencies beyond 20 kHz.

VARIABLE GAIN OP-AMP CIRCUIT



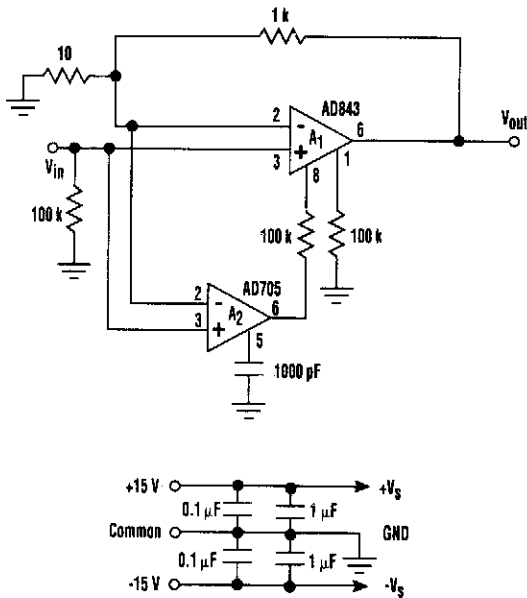
A JFET acts as a variable attenuator for this op amp. Maximum gain is:

$$\frac{R_2}{R_1 + R_{DS(ON)}}$$

ELECTRONICS NOW

FIG. 69-5

LOW NOISE AND DRIFT COMPOSITE AMP



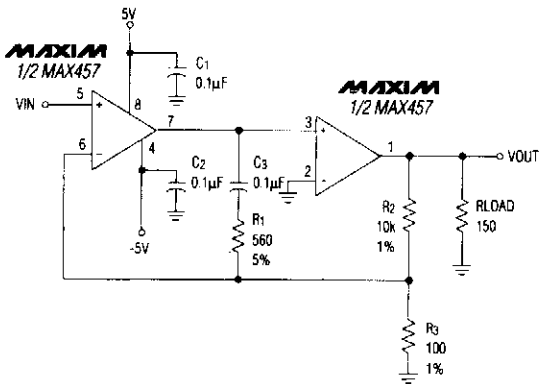
This circuit offers the best of both worlds. It can be combined with a low input offset voltage and drift without degrading the overall system's dynamic performance. Compared to a standalone FET input operational amplifier, the composite amplifier circuit exhibits a 20-fold improvement in voltage offset and drift.

In this circuit arrangement, A1 is a high-speed FET input op amp with a closed-loop gain of 100 (the source impedance was arbitrarily chosen to be 100 kΩ). A2 is a SuperBeta bipolar input op amp. It has good dc characteristics, biFET-level input bias current, and low noise. A2 monitors the voltage at the input of A1 and injects current to A1's null pins. This forces A1 to have the input properties of a bipolar amplifier while maintaining its bandwidth and low-input-bias-current noise.

ELECTRONIC DESIGN

FIG. 69-6

HIGH-GBW OP AMP

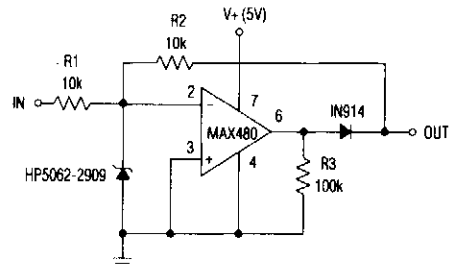


MAXIM ENGINEERING JOURNAL

FIG. 69-7

You can build a composite amplifier featuring high gain, wide bandwidth, and good dc accuracy by cascading the sections of a dual video amplifier and adding two appropriate phase-compensation components. The op amp drives a 150-Ω load and provides a closed-loop gain of 40 dB.

SINGLE OP-AMP FULL-WAVE RECTIFIER



MAXIM ENGINEERING JOURNAL

FIG. 69-8

This circuit operates from +5 V and uses a single op amp to deliver a full-wave rectified output of the input signal.

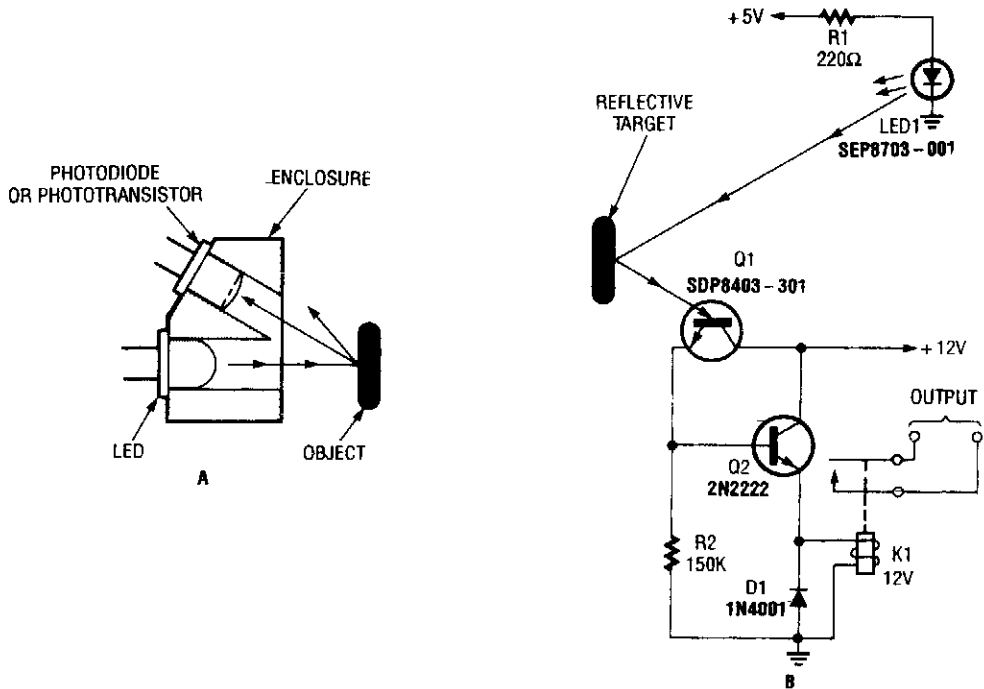
70

Optical Circuits

The sources of the following circuits are contained in the Sources section, which begins on page 675. The figure number in the box of each circuit correlates to the entry in the Sources section.

- Optical Proximity Detector
- Photoreceiver Optimized for Noise and Response
- Optoisolator and Optocoupler Interface Circuits
- Optocoupler Circuits
- Optical Direction Discriminator
- Optical Safety Circuit Switches
- Simple Amplifier for Phototransistors
- Variable-Sensitivity Phototransistor Circuit

OPTICAL PROXIMITY DETECTOR

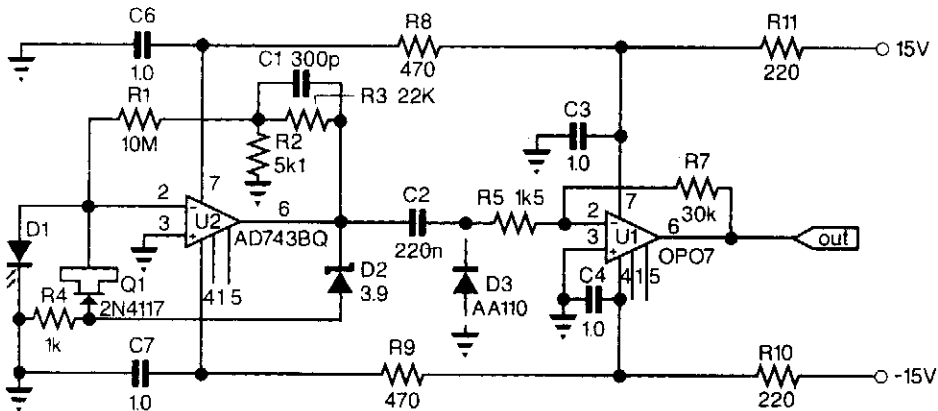


POPULAR ELECTRONICS

FIG. 70-1

A “reflector” isolator (A) detects the presence of an object by bouncing light off of it. This technique is useful in circuits that detect when an object is close enough to the sensor (B).

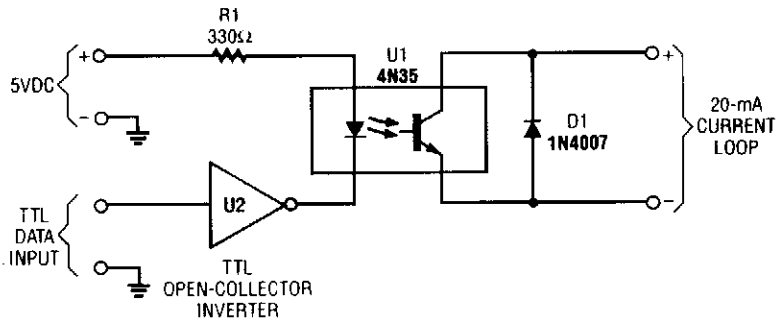
PHOTORECEIVER OPTIMIZED FOR NOISE AND RESPONSE



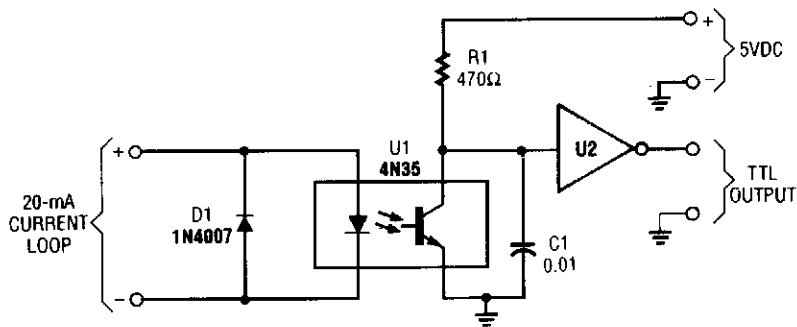
ELECTRONIC ENGINEERING

FIG. 70-2

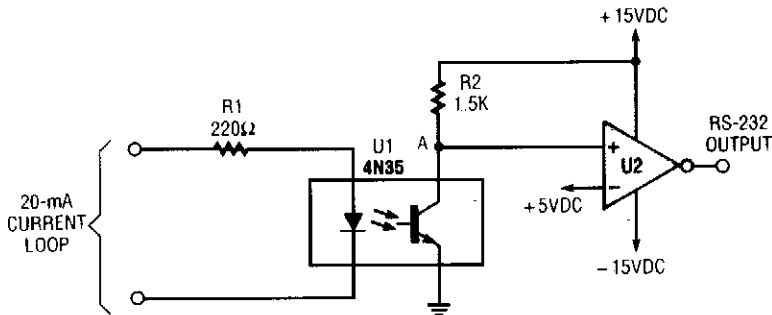
OPTOISOLATOR AND OPTOCOUPLER INTERFACE CIRCUITS



A



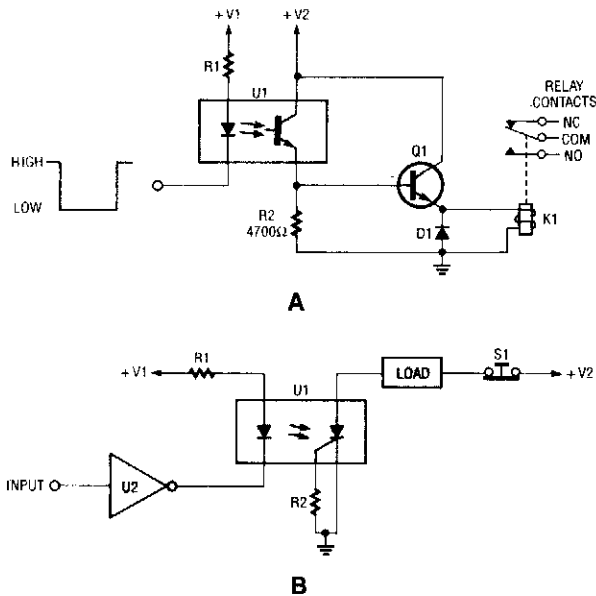
B



C

Interfacing equipment, whether TTL, RS-232C, or 20-mA current-loop based, with optoisolators.

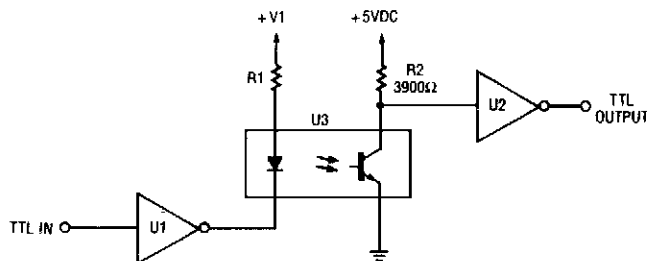
OPTOISOLATOR AND OPTOCOUPLER INTERFACE CIRCUITS (Cont.)



Very heavy loads, which can't be powered directly by an optoisolator, might require the use of a relay as shown in A. You can sometimes get away with using a circuit like that shown in B, but it won't turn itself off.

A circuit for isolating a variable resistor is shown. An optoisolator that has an LED and a photoconductive cell (or photoresistor) is used. The current through the LED controls its brightness, which in turn determines the resistance between terminals A and B. The LED current is set by the voltage of the dc power supply and the value of the two resistors (R_1 and R_2). The fixed resistor (R_1) is used to limit the current to a maximum of 20 mA (when the resistance of the potentiometer, R_2 , is set to zero ohms), otherwise, the LED might burn out.

OPTOCOUPLER CIRCUITS

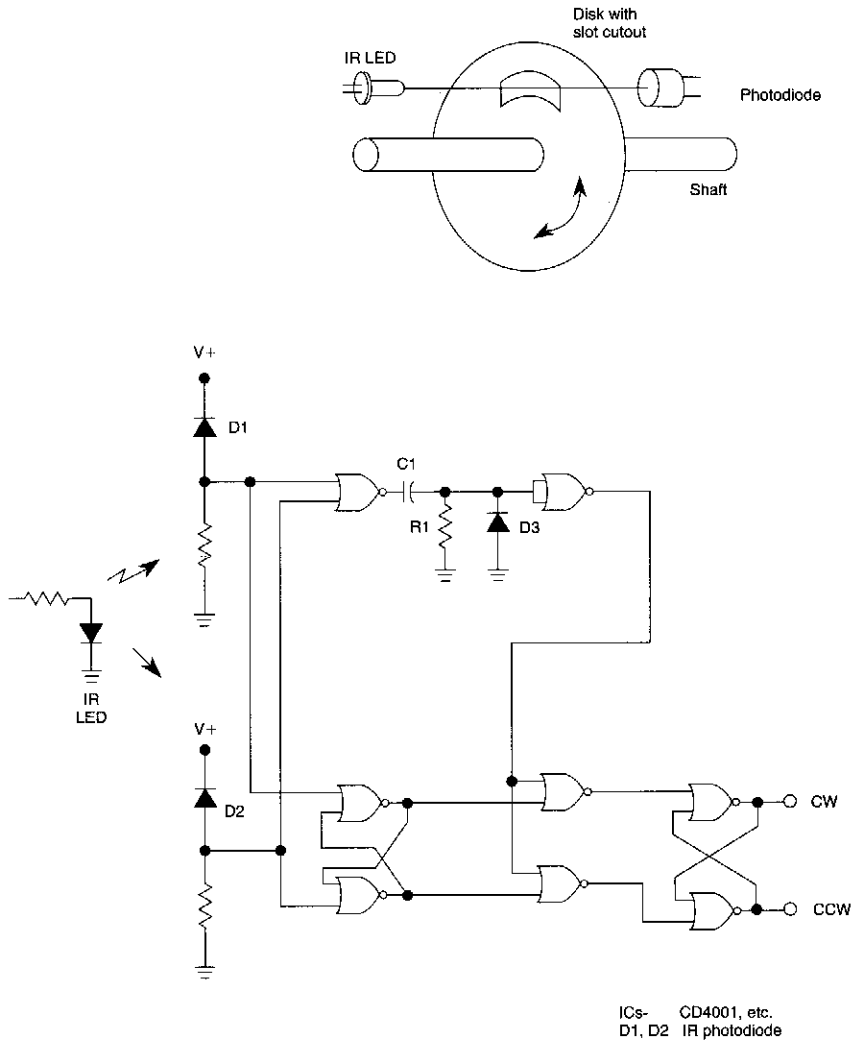


POPULAR ELECTRONICS

FIG. 70-4

This circuit is a TTL-to-TTL isolator circuit. The driver circuit is an open-collector TTL inverter (U_1). When the input is high, then the output of the inverter is low. Thus, when the input is high, the output of U_1 grounds the cathode end of the LED and causes the LED to turn on.

OPTICAL DIRECTION DISCRIMINATOR



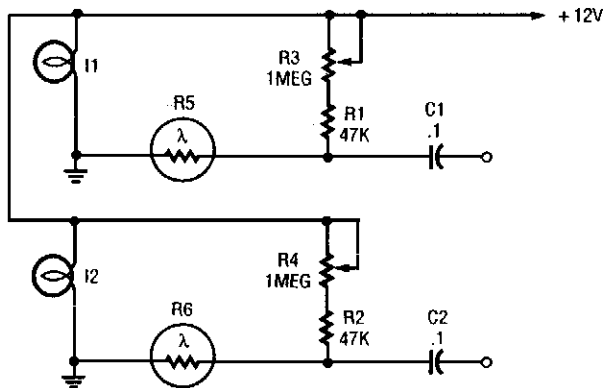
WILLIAM SHEETS

FIG. 70-5

The very simple circuit uses only two CD4001 packages, i.e., eight NOR gates and operates in the following way: Pulse streams are fed to an RS flip flop generating an output waveform which has a small or large duty cycle depending on the direction of rotation. The same input pulses are also fed to a NOR gate, which "adds" the two pulse trains.

The rising edges of this waveform are used to produce short positive pulses from the circuit consisting of R1, C1, D3, and a NOR gate used as an inverter. This is used to "sample" the outputs of the flip flop to detect the direction of rotation. The output, whose duty cycle is large, forces the sampling NOR gate to generate a pulse train which sets (or resets) the second RS flip-flop continuously giving a permanent indication of the direction of rotation.

OPTICAL SAFETY CIRCUIT SWITCHES

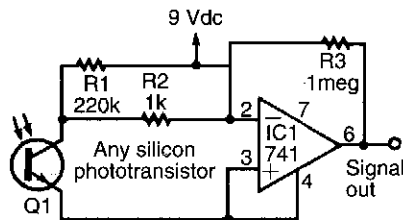


POPULAR ELECTRONICS

FIG. 70-6

Use of two LDR devices replaces the two pushbuttons used in safety switches. The lamps provide light sources for the LDR devices.

SIMPLE AMPLIFIER FOR PHOTOTRANSISTORS

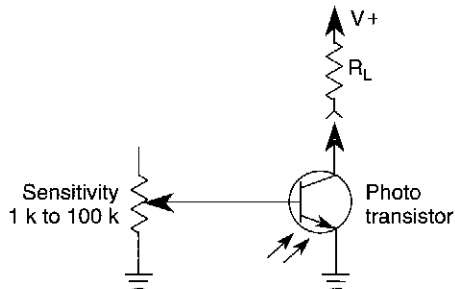


ELECTRONICS NOW

FIG. 70-7

This simple amplifier will work well with just about any phototransistor. The 741, although designed to operate with a split supply, will work with a single-sided supply as well.

VARIABLE-SENSITIVITY PHOTOTRANSISTOR CIRCUIT



ELECTRONICS NOW

FIG. 70-8

A variable resistor is used to vary the light-level response of a phototransistor. Phototransistors are more light sensitive than photodiodes, but they generally have poorer frequency response.

71

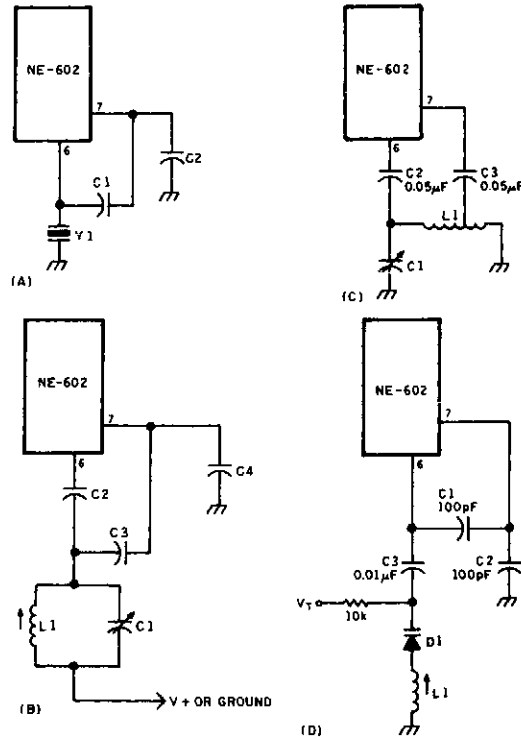
Oscillator Circuits

The sources of the following circuits are contained in the Sources section, which begins on page 675. The figure number in the box of each circuit correlates to the entry in the Sources section.

NE602 Local Oscillator Circuits
LC Audio Oscillator
Colpitts Oscillator
MOSFET Mixer-Oscillator Circuit for
 AM Receivers
Simple RF Test Oscillator
AF Power Oscillator
Gated 1-kHz Oscillator (Normally Off)
Gated 1-kHz Oscillator (Normally On)
Precision LF Oscillator
Basic Oscillator Circuits
Variable Wien-Bridge Oscillator

Local Oscillator for Double Balanced Mixers
Precision Audio-Frequency Generator
CMOS VFO
Frequency Switcher
Precision Gated Oscillator
Wien-Bridge Audio Oscillator
Variable Duty-Cycle Oscillator
Adjustable VFO Temperature Compensator
4093 CMOS Astable Oscillator
Simple Audio Test Oscillator
4093 CMOS VFO

NE602 LOCAL OSCILLATOR CIRCUITS

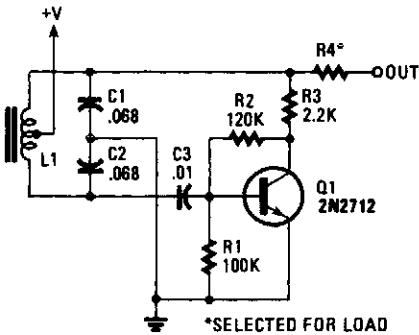


73 AMATEUR RADIO TODAY

FIG. 71-1

Local oscillator circuits for the NE602.

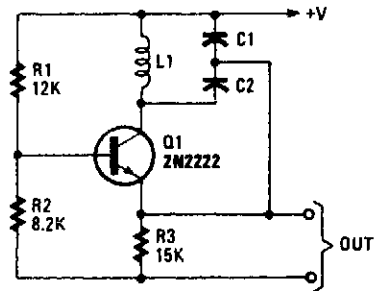
LC AUDIO OSCILLATOR



POPULAR ELECTRONICS

FIG. 71-2

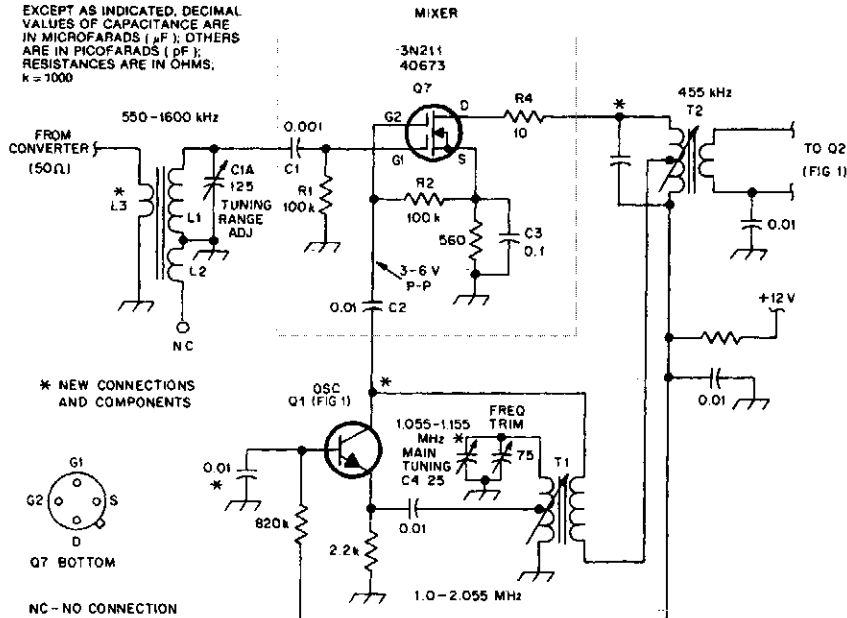
COLPITTS OSCILLATOR



POPULAR ELECTRONICS

FIG. 71-3

MOSFET MIXER-OSCILLATOR CIRCUIT FOR AM RECEIVERS

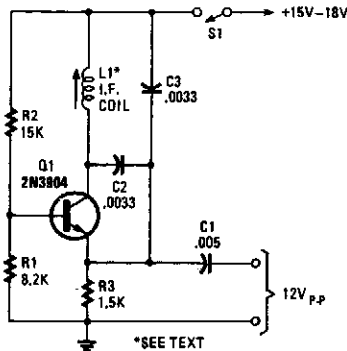


QST

FIG. 71-4

This circuit is an improved front end for upgrading a transistor AM receiver. This front end is useful when the radio is to be used as a tuneable IF amplifier with shortwave converters.

SIMPLE RF TEST OSCILLATOR

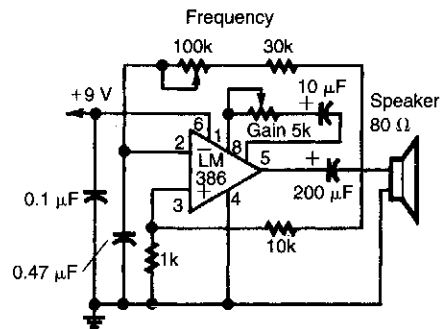


POPULAR ELECTRONICS

FIG. 71-5

A simple oscillator for IF alignment (455 kHz) can prove useful in field testing or where a standard signal generator is available. L1 should resonate at the desired output frequency with the series combination of C2 and C3.

AF POWER OSCILLATOR



RADIO ELECTRONICS

FIG. 71-6

An LM386 audio power IC is set up as a feedback oscillator. Any supply from 6 to 12 V can be used. The circuit can drive a loudspeaker.

GATED 1-kHz OSCILLATOR (NORMALLY OFF)

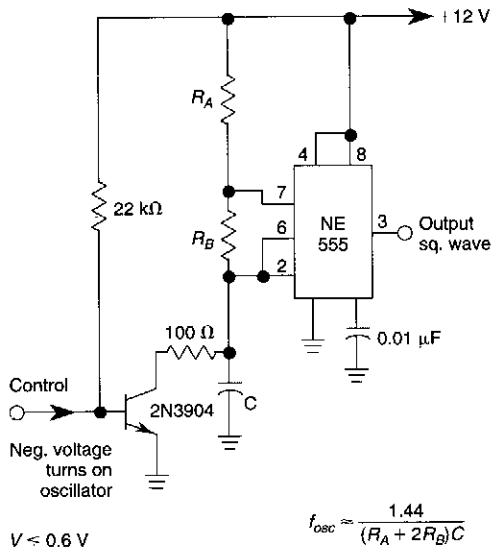


FIG. 71-7

ELECTRONICS NOW

This gated 1-kHz oscillator offers “press-to-turn-on” operation, A, and waveforms at the output of pin 3 and across C1, B.

GATED 1-kHz OSCILLATOR (NORMALLY ON)

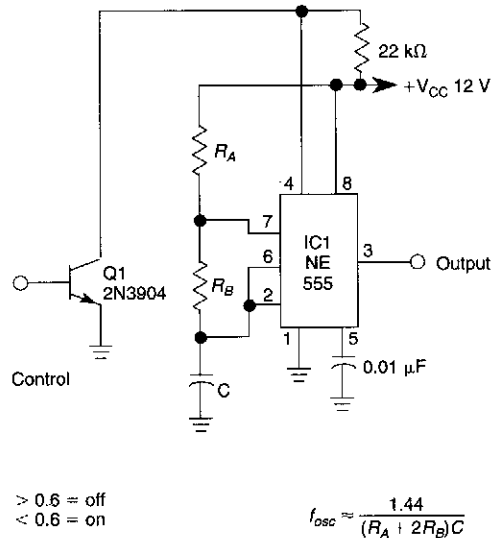


FIG. 71-8

ELECTRONICS NOW

This gated 1-kHz oscillator offers “press-to-turn-off” operation, A, and waveforms at the output of pin 3 and across C1, B.

PRECISION LF OSCILLATOR

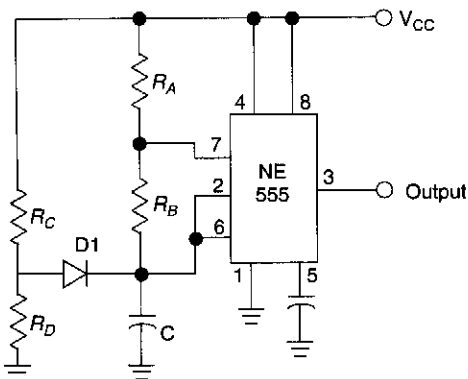
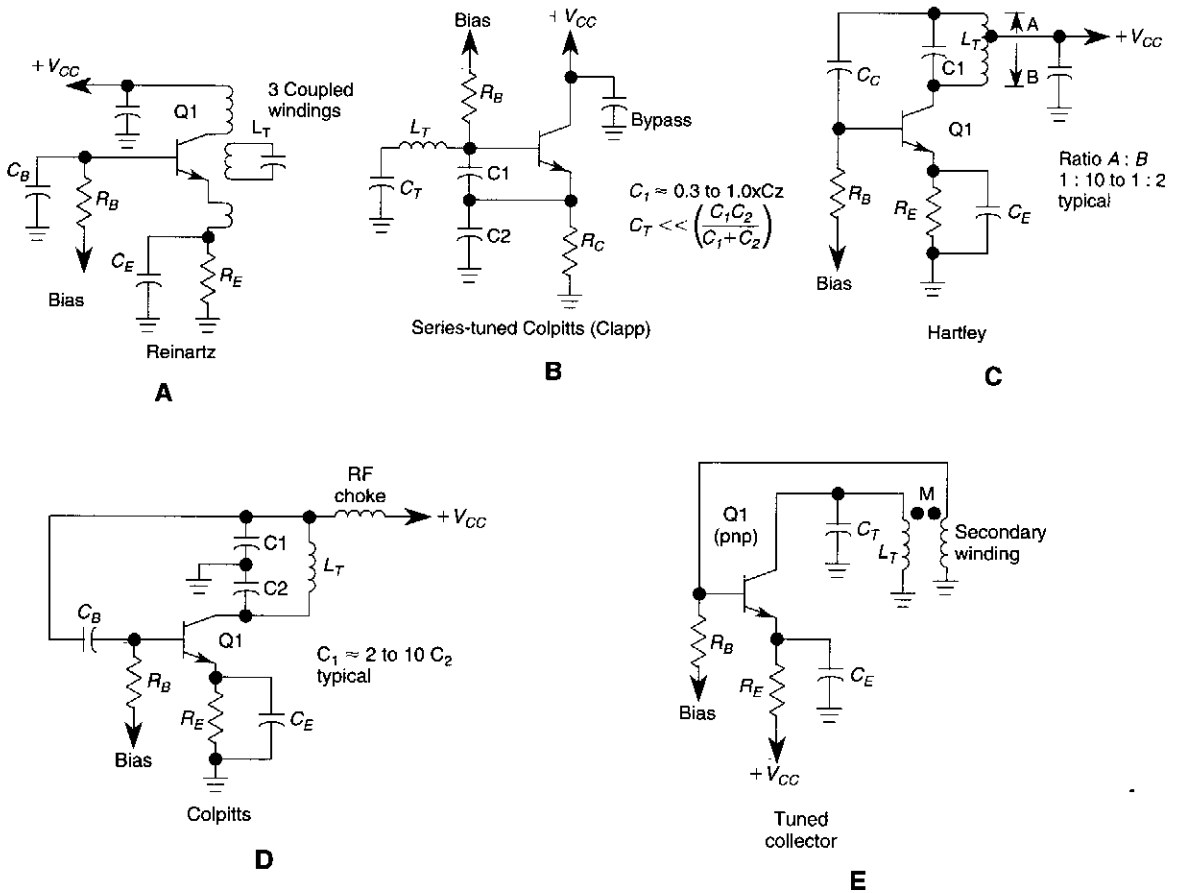


FIG. 71-9

ELECTRONICS NOW

Using R1, R7, and D1 to preset C1 to one third of the supply voltage, this circuit avoids a longer first cycle period than subsequent cycles.

BASIC OSCILLATOR CIRCUITS



ELECTRONICS NOW

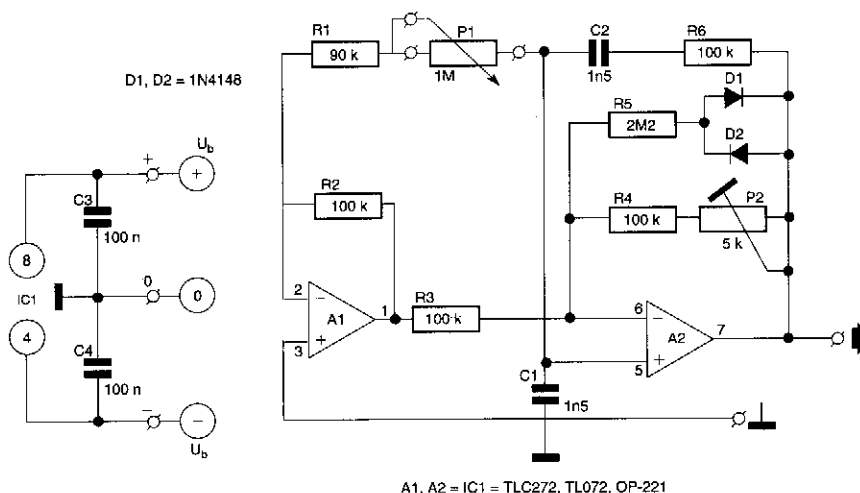
FIG. 71-10

Five basic types of LC oscillators are shown. The frequency can be changed by using the formula:

$$f = \frac{1}{2\pi L_{\text{effective}} C_{\text{effective}}}$$

where $L_{\text{effective}}$ = equivalent inductance
 $C_{\text{effective}}$ = equivalent capacitance

VARIABLE WIEN-BRIDGE OSCILLATOR



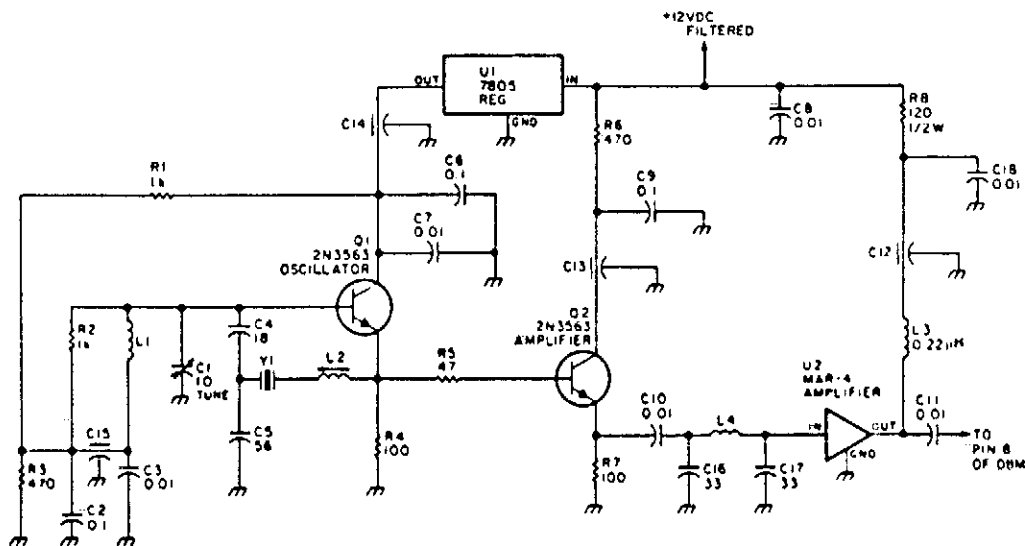
A1, A2 = IC1 = TLC272, TL072, OP-221

303 CIRCUITS

FIG. 71-11

This circuit uses a single potentiometer to tune a 300- to 3000-Hz range. A FET op amp is used at A1 and A2. The upper frequency limit is determined by the gain-bandwidth product of the op amps.

LOCAL OSCILLATOR FOR DOUBLE BALANCED MIXERS

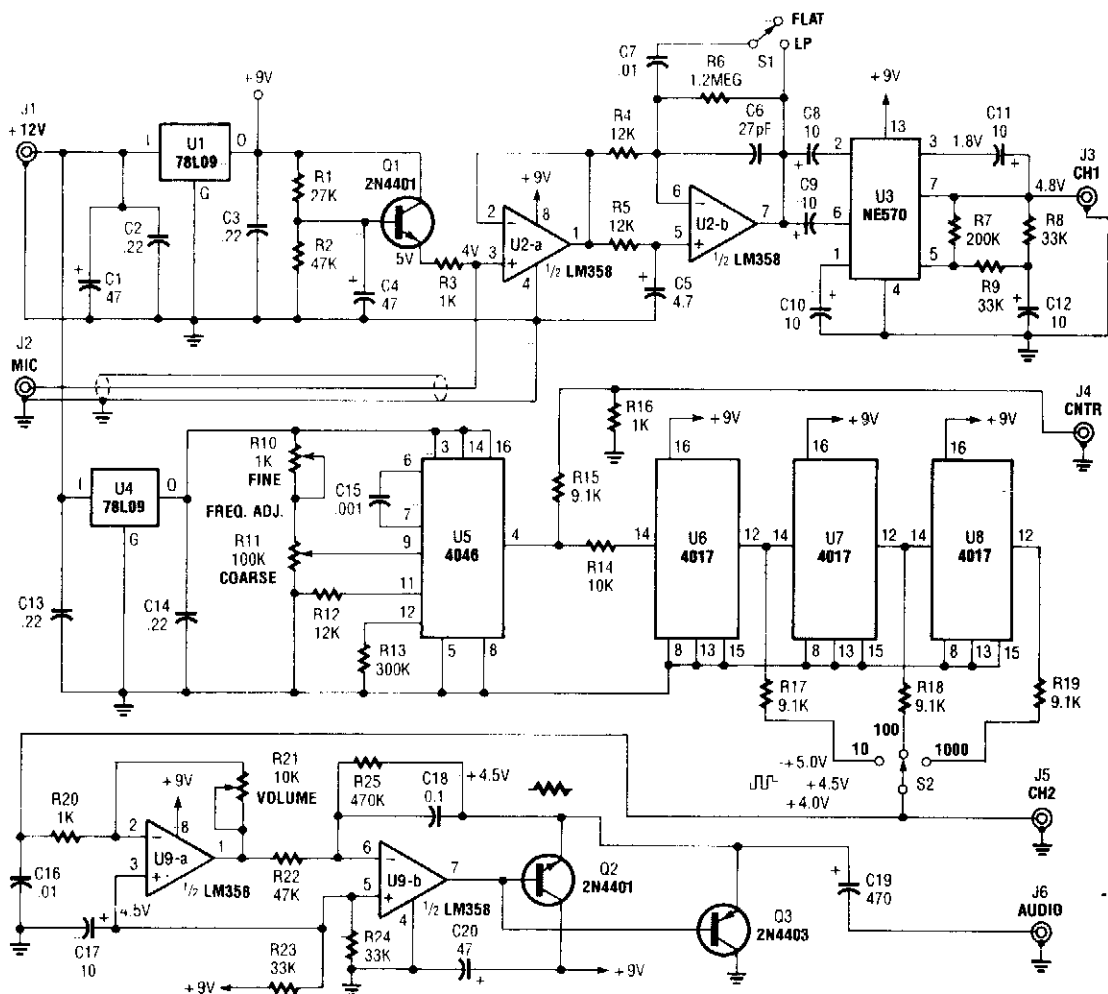


73 AMATEUR RADIO TODAY

FIG. 71-12

This circuit has an amplifier to supply +10 dBm to an SBL series (Mini-circuits) or similar type doubly-balanced mixer assembly. This circuit has values shown for \approx 80- to 90-MHz crystals, although values of oscillator circuit constants can be scaled for higher or lower frequencies.

PRECISION AUDIO-FREQUENCY GENERATOR



POPULAR ELECTRONICS

FIG. 71-13A

The precision audio-frequency generator consists of several subcircuits—an audio-amplifier/filter circuit, an automatic level control, a variable voltage-controlled oscillator, a frequency divider circuit, an integrator, and an audio output amplifier.

An electret microphone element is used to pick up the audio tone produced by the instrument. That signal is then fed to an amplifier/filter/level-controlled circuit and output via channel 1 (CH1) to an oscilloscope for display.

The variable voltage-controlled oscillator (VCO) is used to produce a signal of from less than 10 kHz to more than 99 kHz. The VCO output is fed to a digital frequency counter for display, and is also routed to a chain of frequency dividers, where the signal is divided by 10, 100, or 1,000, depending on the setting of a selector switch.

PRECISION AUDIO-FREQUENCY GENERATOR (Cont.)

Note/ Octave	Key#	Hertz	Stretch in Cents	Note/ Octave	Key#	Hertz	Stretch in Cents
A/0	1	27.184	-20	F/4	45	349.03	- 1
B \flat /0	2	28.817	-19	G \flat /4	46	369.78	- 1
B/0	3	30.548	-18	G/4	47	391.77	- 1
C/1	4	32.384	-17	A \flat /4	48	415.07	- 1
D \flat /1	5	34.329	-16	A/4	49	440.00	0
D/1	6	36.391	-15	B \flat /4	50	466.16	0
E \flat /1	7	38.578	-14	B/4	51	493.88	0
E/1	8	40.895	-13	C/5	52	523.25	0
F/1	9	43.352	-12	D \flat /5	53	554.37	0
G \flat /1	10	45.956	-11	D/5	54	587.33	0
G/1	11	48.717	-10	E \flat /5	55	622.61	+ 1
A \flat /1	12	51.644	- 9	E/5	56	659.64	+ 1
A/1	13	54.746	- 8	F/5	57	698.86	+ 1
B \flat /1	14	58.035	- 7	G \flat /5	58	740.42	+ 1
B/1	15	61.522	- 6	G/5	59	784.44	+ 1
C/2	16	65.180	- 6	A \flat /5	60	831.57	+ 2
D \flat /2	17	69.096	- 5	A/5	61	881.02	+ 2
D/2	18	73.204	- 5	B \flat /5	62	933.41	+ 2
E \flat /2	19	77.602	- 4	B/5	63	988.91	+ 2
E/2	20	82.217	- 4	C/6	64	1047.7	+ 2
F/2	21	87.106	- 4	D \flat /6	65	1110.7	+ 3
G \flat /2	22	92.285	- 4	D/6	66	1176.7	+ 3
G/2	23	97.773	- 4	E \flat /6	67	1246.7	+ 3
A \flat /2	24	103.65	- 3	E/6	68	1321.6	+ 4
A/2	25	109.81	- 3	F/6	69	1400.1	+ 4
B \flat /2	26	116.34	- 3	G \flat /6	70	1484.3	+ 5
B/2	27	123.26	- 3	G/6	71	1572.5	+ 5
C/3	28	130.59	- 3	A \flat /6	72	1667.0	+ 6
D \flat /3	29	138.35	- 3	A/6	73	1766.1	+ 6
D/3	30	146.58	- 3	B \flat /6	74	1872.2	+ 7
E \flat /3	31	155.29	- 3	B/6	75	1984.7	+ 8
E/3	32	164.53	- 3	C/7	76	2103.9	+ 9
F/3	33	174.31	- 3	D \flat /7	77	2230.3	+10
G \flat /3	34	184.73	- 2.5	D/7	78	2230.2	+10
G/3	35	195.71	- 2.5	E \flat /7	79	2506.3	+12
A \flat /3	36	207.41	- 2	E/7	80	2656.9	+13
A/3	37	219.75	- 2	F/7	81	2818.1	+15
B \flat /3	38	232.81	- 2	G \flat /7	82	2989.2	+17
B/3	39	246.66	- 2	G/7	83	3170.6	+19
C/4	40	261.32	- 2	A \flat /7	84	3363.0	+21
D \flat /4	41	276.86	- 2	A/7	85	3567.1	+23
D/4	42	293.33	- 2	B \flat /7	86	3783.6	+25
E \flat /4	43	310.86	- 1.5	B/7	87	4013.2	+27
E/4	44	329.44	- 1	C/8	88	4259.2	+30

•Standard pitch, A49= 440 Hz
 Values shown are stretched for the average piano

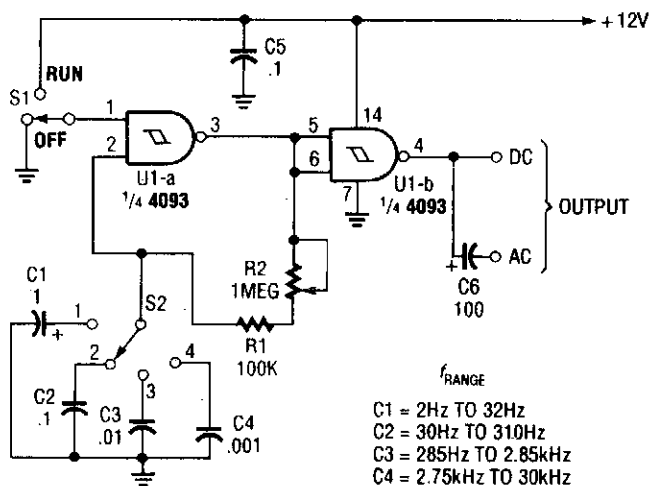
POPULAR ELECTRONICS

FIG. 71- 13B

From there, the selected signal frequency divides along two paths; one going to CH2 (which feeds the oscilloscope's sweep synchronization input) and to an integrator that converts the square-wave output of the divider into a triangular waveform. The output of the integrator is then amplified and fed to a set of stereo headphones via an audio output jack.

One section of the precision audio-frequency generator uses an electret microphone element to pick up audio from the piano. That signal is then processed and sent to one channel of a dual-trace oscilloscope. The other section of the circuit is used to produce a variable-frequency signal that is fed to a digital frequency counter and, after conditioning, is presented to the second channel of the scope and output to a set of stereo headphones.

CMOS VFO

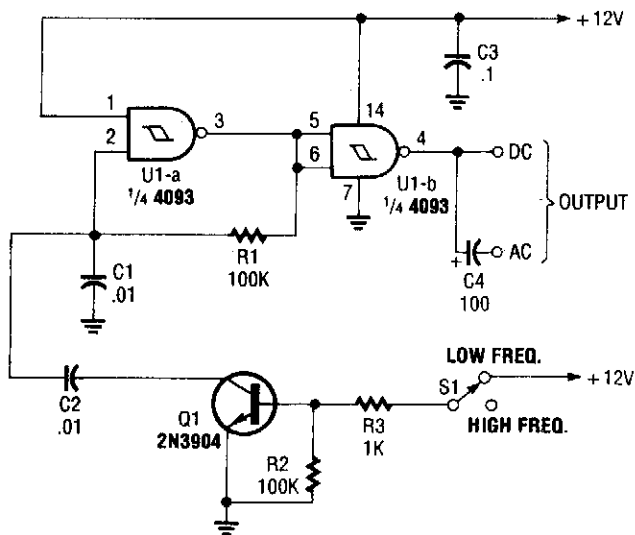


POPULAR ELECTRONICS

FIG. 71-14

The circuit shown has a frequency range of 2 Hz to 30 kHz. R2 is a linear or log potentiometer.

FREQUENCY SWITCHER

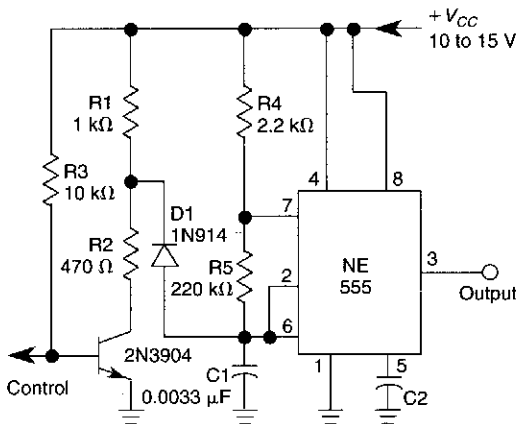


POPULAR ELECTRONICS

FIG. 71-15

This transistor can achieve frequency switching in this CMOS astable oscillator.

PRECISION GATED OSCILLATOR

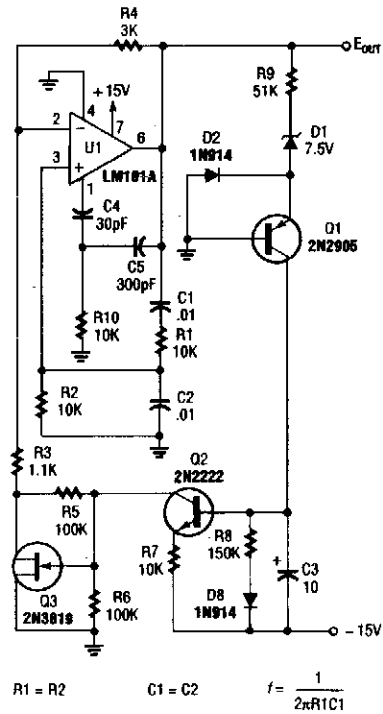


ELECTRONICS NOW

FIG. 71-16

A 1-kHz gated oscillator with no long "turn-on" cycle is shown. R2, R3, and D1 preset the voltage on tuning capacitor C1 to $\frac{1}{3}$ of the supply voltage.

WIEN-BRIDGE AUDIO OSCILLATOR



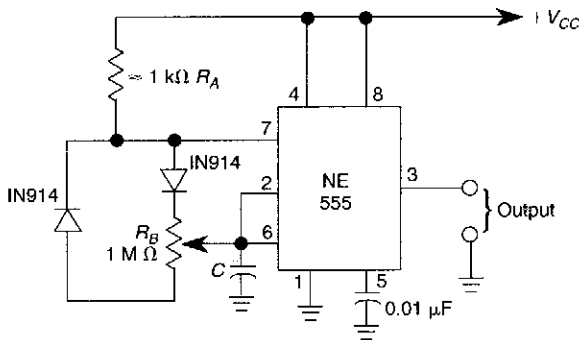
$$R1 = R2 \quad C1 = C2 \quad f = \frac{1}{2\pi R1C1}$$

POPULAR ELECTRONICS

FIG. 71-17

For variable-frequency operation, R1 and R2 can be replaced by a dual potentiometer.

VARIABLE DUTY-CYCLE OSCILLATOR



$$T \approx \frac{1.44}{(R_A + 2R_B)C}$$

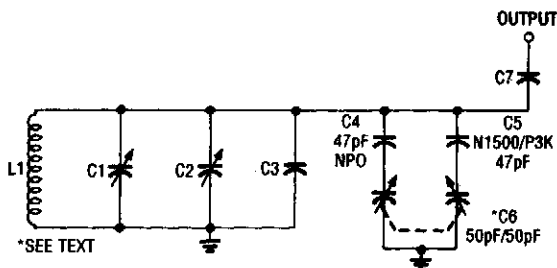
NOTE: Diodes have the effect of slightly reducing the observed frequency—especially if $V_{CC} < 10$ V as a result of 0.6 V offset.

ELECTRONICS NOW

FIG. 71-18

Using a potentiometer and steering diodes, this 1.2-kHz oscillator will provide 1 to 99% duty cycle. Vary C1 to change frequency.

ADJUSTABLE VFO TEMPERATURE COMPENSATOR

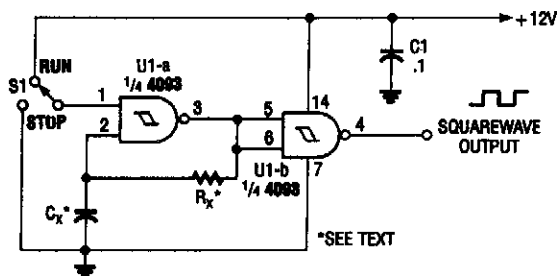


POPULAR ELECTRONICS

FIG. 71-19

Use of a differential capacitor allows temperature compensation of LC circuit using an NPO and N1500 ceramic. C6 is a differential capacitor that has two stators and one common rotor. When one capacitance (stator) is maximum, the other is minimum. L1, C1, C2, and C3 are tuning, trimming, and fixed capacitors, respectively.

4093 CMOS ASTABLE OSCILLATOR

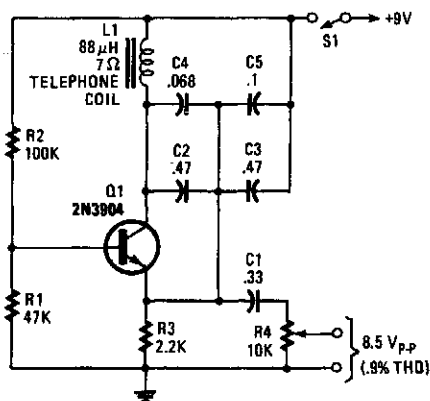


POPULAR ELECTRONICS

FIG. 71-20

Two gates of the Quad 4093 are used to make an oscillator. R_x can be from about 5 k Ω to around 10 M Ω . C_x can be from about 10 pF to many μ F, the limit being set by the leakage of the capacitor. Frequency is approximately $2.8/R_x C_x$ (R M Ω , Cmfd).

SIMPLE AUDIO TEST OSCILLATOR

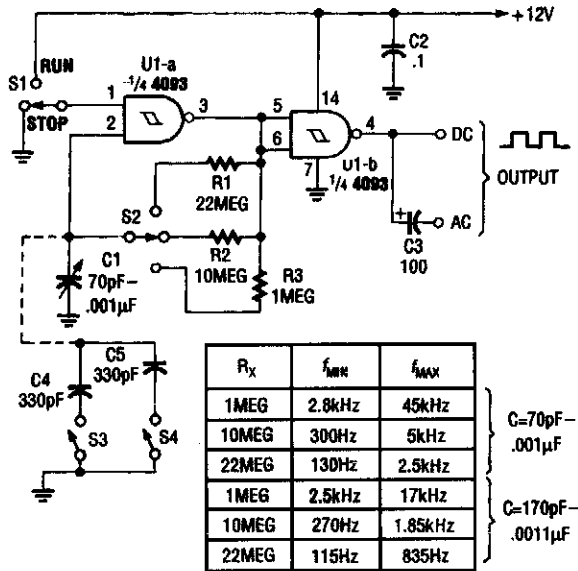


POPULAR ELECTRONICS

FIG. 71-21

An 88-mH surplus telephone toroidal coil is used in a 1-kHz oscillator. Up to 8 V p-p into a high-Z load is available. THD is 0.9%.

4093 CMOS VFO



POPULAR ELECTRONICS

FIG. 71-22

Two gates of a Quad 4093 are used in an astable multivibrator. C1 is a three-gang 365 pF variable capacitor with sections paralleled. S3 and S4 switch in optional extra capacitors.

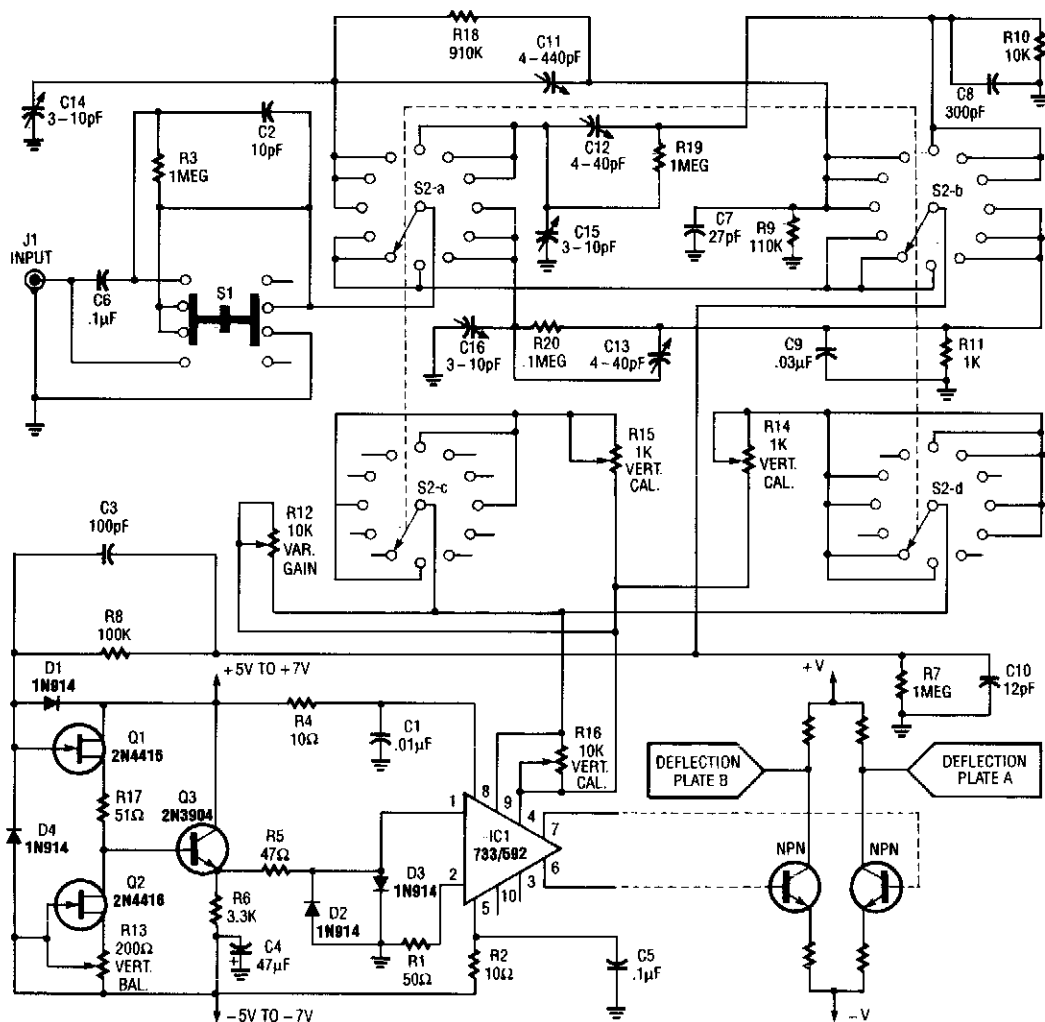
72

Oscilloscope Circuits

The sources of the following circuits are contained in the Sources section, which begins on page 675. The figure number in the box of each circuit correlates to the entry in the Sources section.

Oscilloscope Preamplifier
Simple Spectrum Analyzer Adaptor for Scopes
Simple Oscilloscope Timebase Generator
Trigger Selection Circuit for Oscilloscope Timebase
Variable Gain Amplifier

OSCILLOSCOPE PREAMPLIFIER

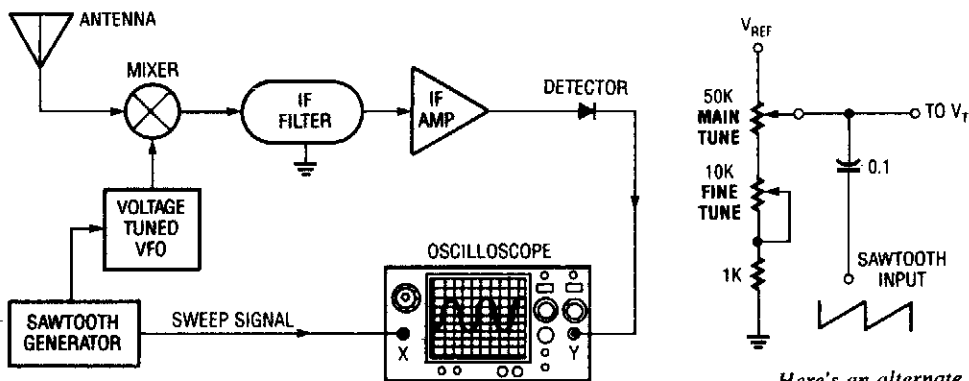


RADIO ELECTRONICS

FIG. 72-1

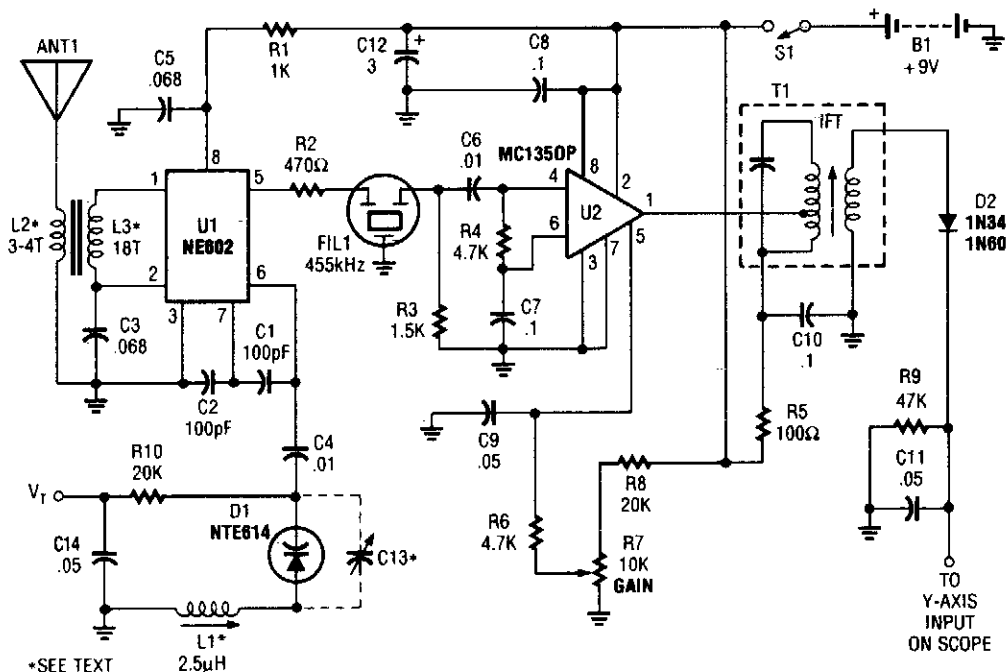
An oscilloscope front-end amplifier can be built with low-cost transistor and video amp ICs. This preamp uses a FET input and compensated attenuators, and has approximately 100-MHz bandwidth, which is adequate for most general-purpose oscilloscopes.

SIMPLE SPECTRUM ANALYZER ADAPTOR FOR SCOPES



Block diagram of a spectrum analyzer.

Here's an alternate tuning network for the spectrum analyzer.

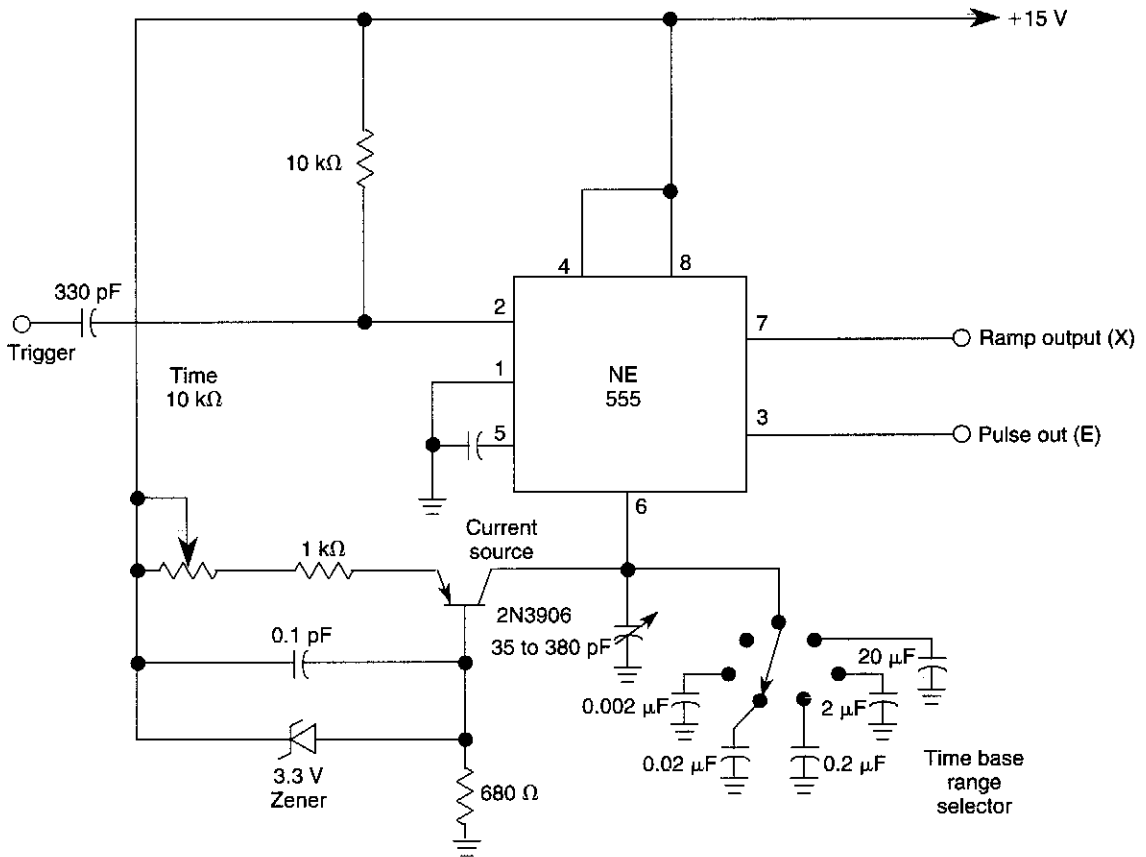


POPULAR ELECTRONICS

FIG. 72-2

Suitable for monitoring an amateur band or a segment of the radio spectrum, this simple adaptor uses an NE602 mixer-oscillator chip to produce a 455-kHz IF signal, which U2 amplifies, then feeds to detector D2 and the Y axis of an oscilloscope. V_T is used to drive the horizontal axis input of a scope. L2 and L3 are coils suitable for the frequency range in use. For this circuit, coils are shown for the 10- to 15-MHz range. L2 and L3 are wound on Amidon Associates, T-37 or T-50 toroidal cores, and L1 is a commercial or homemade variable inductor, etc.

SIMPLE OSCILLOSCOPE TIMEBASE GENERATOR

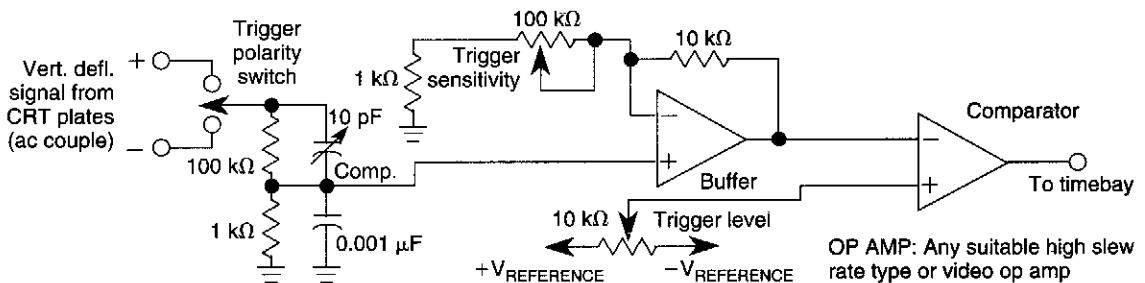


ELECTRONICS NOW

FIG. 72-3

The 555 timer generates both a linear ramp and an output for Z-axis modulations of the CRT electron beam.

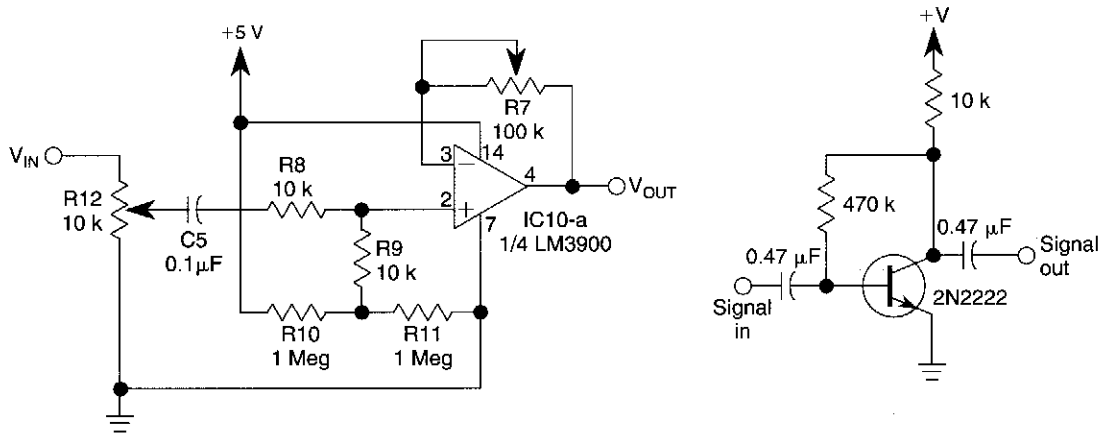
TRIGGER SELECTION CIRCUIT FOR OSCILLOSCOPE TIMEBASE



ELECTRONICS NOW

FIG. 72-4

VARIABLE GAIN AMPLIFIER



ELECTRONICS NOW

FIG. 72-5

This circuit uses ¼ of an LM3900 to build a simple variable-gain front end for an oscilloscope. R7 is the gain control. Also shown is a simple preamp if you need more than 10X of gain.

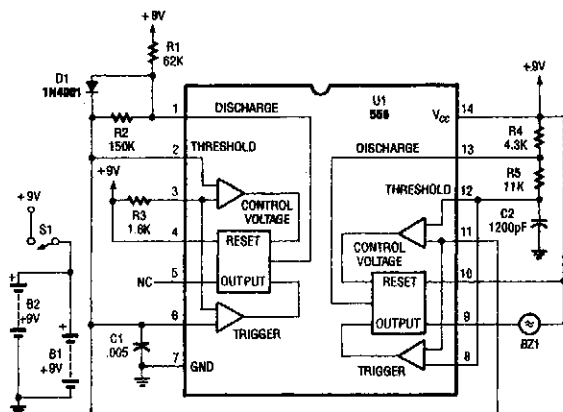
73

Pest-Control Circuits

The sources of the following circuits are contained in the Sources section, which begins on page 675. The figure number in the box of each circuit correlates to the entry in the Sources section.

Pest Repeller
Ultrasonic Pest Repeller

PEST REPELLER

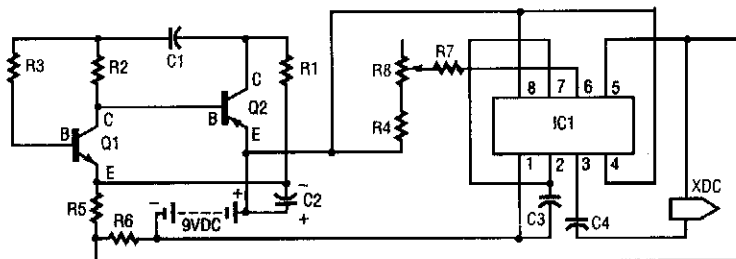


1992 PE HOBBYIST HANDBOOK

FIG. 73-1

The two timers in the bug repeller have some interesting characteristics. Both of them have their thresholds externally set; the oscillator on the left has a 50% duty cycle and the oscillator on the right acts as a VCO.

ULTRASONIC PEST REPELLER



1991 PE HOBBYIST HANDBOOK

FIG. 73-2

This circuit uses two transistors and one IC (555 timer IC) to produce a pulsating ultrasonic frequency. Transistors Q1 and Q2 are connected in a direct-coupled oscillator. The frequency of that oscillator is set by capacitor C1. The oscillator output is taken from the emitter of Q2 to pin 7 of IC1. Transistor Q1 is an npn transistor, and Q2 is a pnp transistor. The signal of pin 7 on IC1 causes the output signal appearing on pin 3 to be modulated or varied by the audio frequency developed by Q1 and Q2. The IC itself is connected as a stable multivibrator with a frequency that is determined by C3. Capacitor C3 sets the basic frequency to be well above the human hearing range (ultrasonic). The combined modulated ultrasonic frequency appears on pin 3 of IC1, where it is coupled by capacitor C4 to the piezoelectric transducer.

C1, C2	0.1- μ F Mylar Capacitor	R2	3.3-M Ω Resistor
C2	1- μ F Electrolytic Capacitor	R3, R6	10-k Ω Resistor
C3	0.001- μ F Mylar Capacitor	R4, R5	100- Ω Resistor
IC1	555 timer IC	R7	18-k Ω Resistor
Q1	2N3904 Transistor	R8	Potentiometer
Q2	2N3906 Transistor	XDC	Piezoelectric Transducer Disc
R1	4.7-k Ω Resistor	Misc	IC Socket, 9-V Snap, PC Board

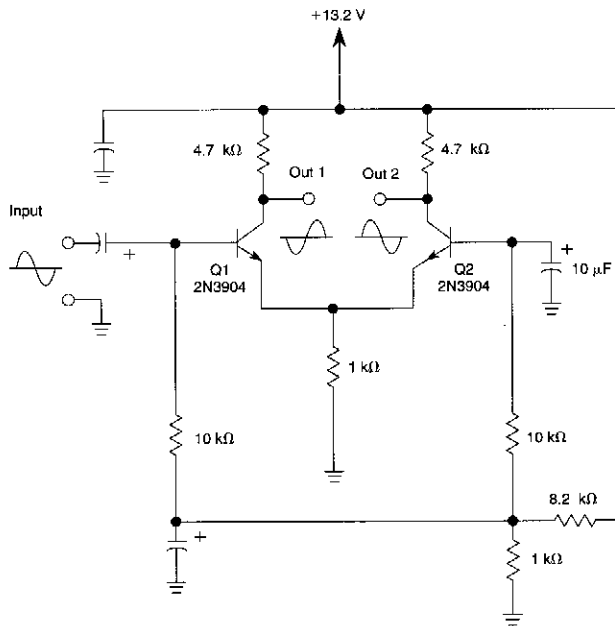
74

Phase Shifter Circuits

The sources of the following circuits are contained in the Sources section, which begins on page 675. The figure number in the box of each circuit correlates to the entry in the Sources section.

Long-Tailed Pair Phase-Splitter
Phase-Splitter Circuit
Phase Shifter with Eight Outputs

LONG-TAILED PAIR PHASE-SPLITTER

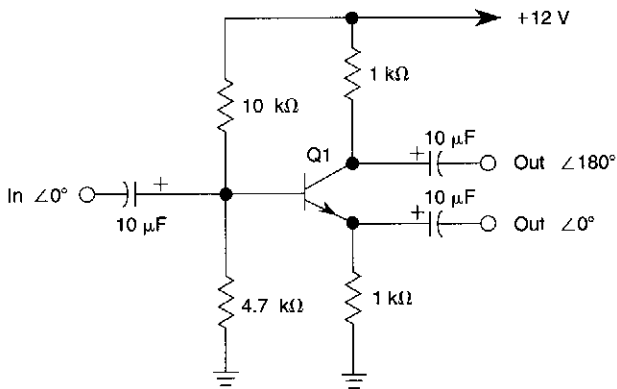


WILLIAM SHEETS

FIG. 74-1

The single-phase input produces out-of-phase outputs at the collectors of Q1 and Q2.

PHASE-SPLITTER CIRCUIT



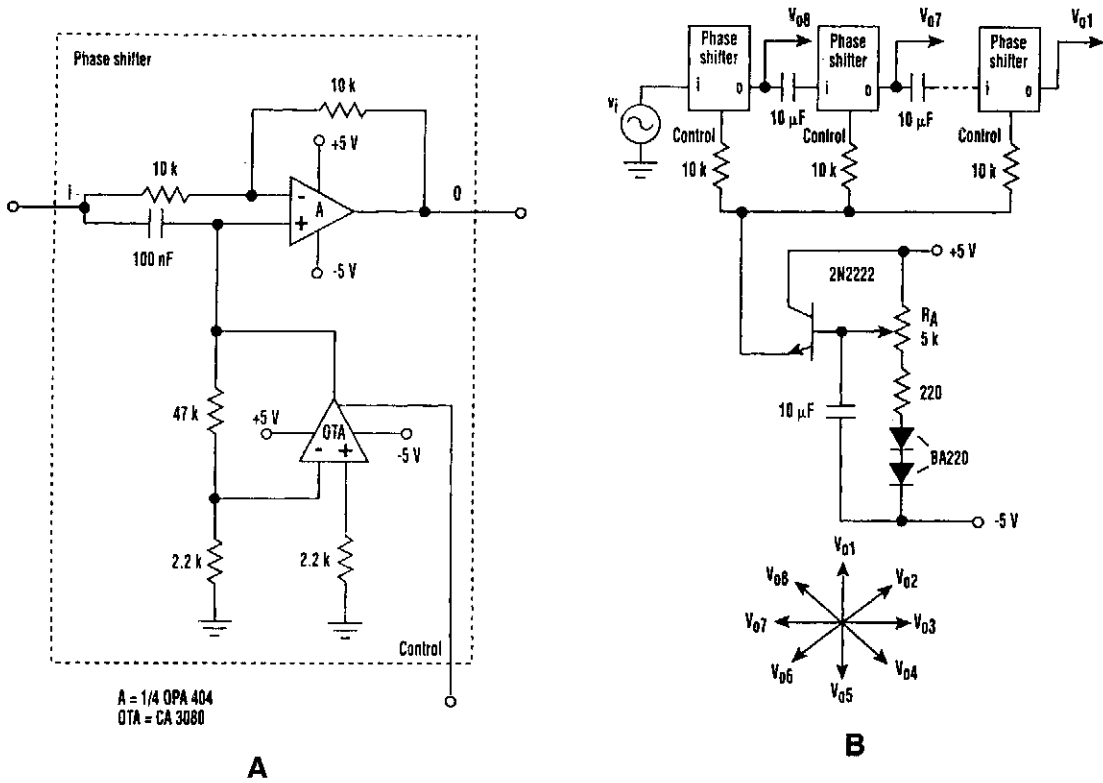
Q1: 2N2222, etc.

WILLIAM SHEETS

FIG. 74-2

This phase splitter uses a 2N2222 (or other general purpose npn transistor) to achieve outputs that are 180° out of phase.

PHASE SHIFTER WITH EIGHT OUTPUTS



ELECTRONIC DESIGN

FIG. 74-3

The circuit consists of eight cascaded identical cells, each cell being a dc-controlled active phase shifter. Because the dc control is common for all shifters, the circuit is adjusted by trimming R_A so that the phase difference between V_{o1} and V_i is zero. As a result, each shifter will introduce a phase difference of exactly π/r . The eight signals for PSK are available at the op amps' outputs.

Phase accuracy is acceptable for 1%-tolerance resistors and 5%-tolerance 100-nF capacitors. Also, the amplitude of V_i (which is a 1700-Hz sine wave), should not exceed 1 V.

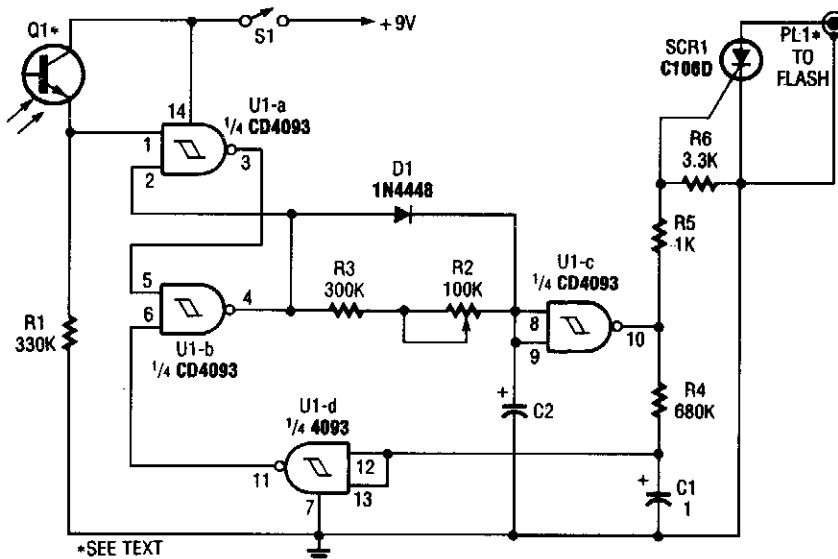
75

Photography Related Circuits

The sources of the following circuits are contained in the Sources section, which begins on page 675. The figure number in the box of each circuit correlates to the entry in the Sources section.

Time-Delay Flash-Trigger Circuit
Photo Flash Slave Unit
Enlarging Light Meter
Photo Strobe
Darkroom Timer
Photo Strobe Slave Trigger
Strobe Light
Enlarger Exposure Meter

TIME-DELAY FLASH-TRIGGER CIRCUIT

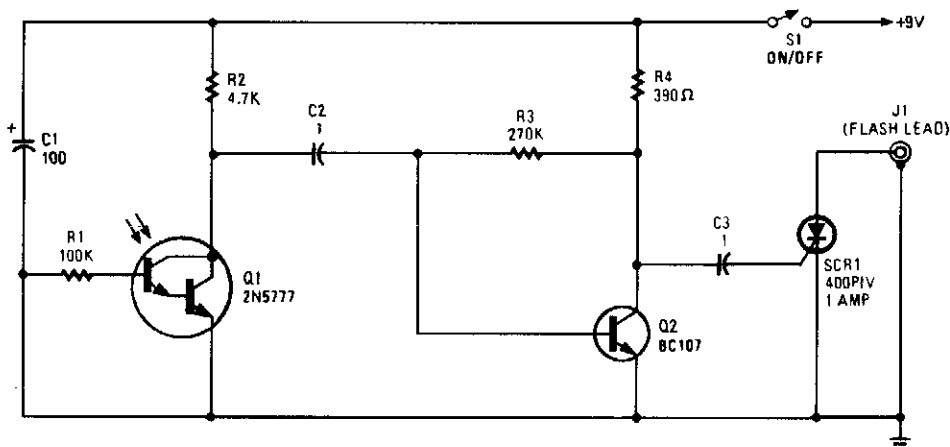


1992 PE HOBBYIST HANDBOOK

FIG. 75-1

The circuit is built around a single 4093 quad 2-input NAND Schmitt trigger. Two gates from that quad package (U1-a and U1-b) are configured as a set-reset flip-flop.

PHOTO FLASH SLAVE UNIT

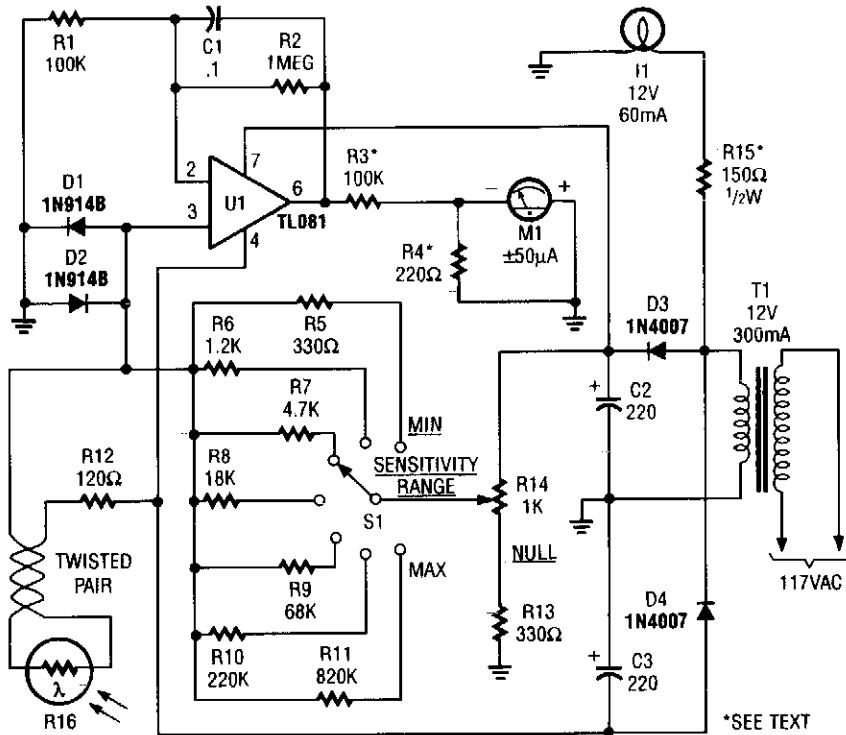


POPULAR ELECTRONICS

FIG. 75-2

Phototransistor Q1 receives a light pulse from a photoflash unit. The pulse is ac-coupled to amplifier Q2. It then triggers SCR1, which triggers a flash unit that is connected to J1.

ENLARGING LIGHT METER



*SEE TEXT

POPULAR ELECTRONICS

FIG. 75-3

Meter M1, a $\pm 50\text{-}\mu\text{A}$ zero-center D'Arsonval meter movement is driven by U1, a TL081 FET op amp, through R3. The gain of U1 is set at 11 by R1 and R2, while capacitor C1 is used to restrict the bandwidth of U1 to 1.6 Hz. Power for the circuit is derived from a simple dual-polarity 12-V power supply (consisting of T1, D3, D4, C2, and C3).

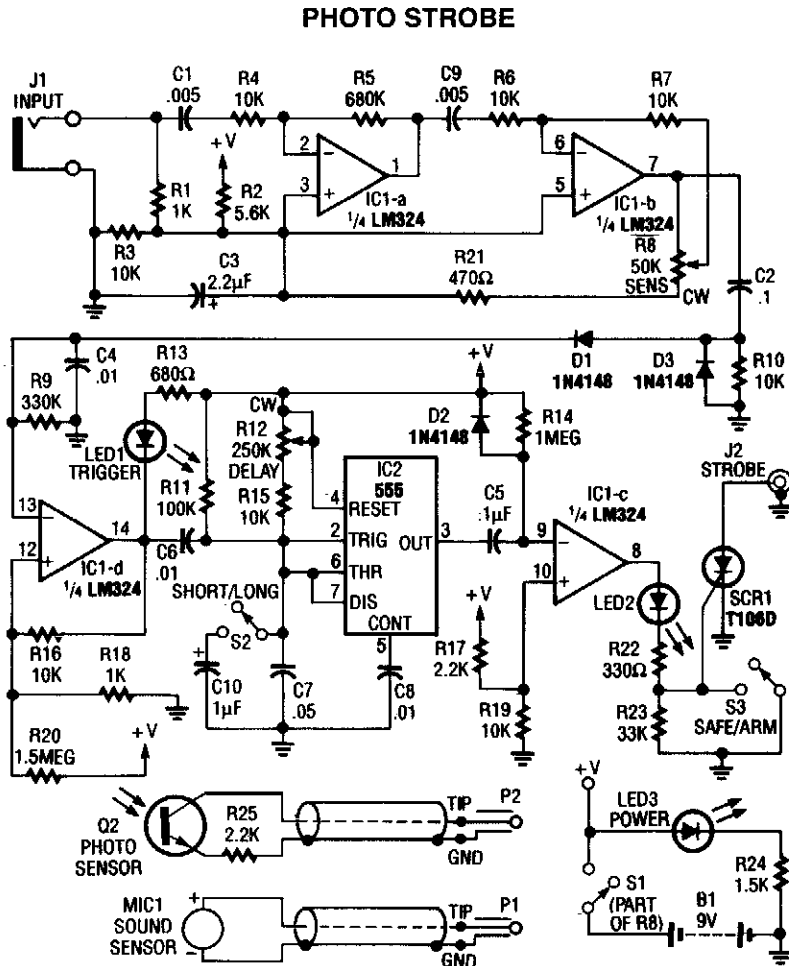
A light-dependent resistor (LDR), R16 (which is a semiconductor element whose resistance decreases as it is exposed to increasing illumination), is used as a light-sensing device. One end of R16 is connected to the negative supply rail through R12, and the other end is connected to pin 3 of U1, applying a negative current to U1. A variable (over a 4:1 range) positive current determined by the settings of R14 and S1 (and derived from the positive supply rail) is also fed to pin 3 of U1.

When the two currents (of opposite polarities) are equal, they cancel each other out, so effectively no current is applied to pin 3 of U1. With no current applied to pin 3, the output of U1 is zero and meter M1 registers accordingly, indicating a null. However, when light striking R16 causes its resistance to decrease, the current through the device increases, making the negative current greater than the positive current. Under that condition, the negative current causes the output of U1 to swing negative, causing the pointer to swing in the negative direction.

That indicates that the light intensity must be reduced by using a smaller lens opening on the enlarger (smaller f/stop). The opposite occurs if the light is too dim. Lamp 11, a 12-V 60-mA "grain of wheat" unit, is used to illuminate the meter scale, and R15 is used to limit the meter's illumination to a faint glow that is just bright enough so that the face of M1 can be plainly seen in a photo darkroom.

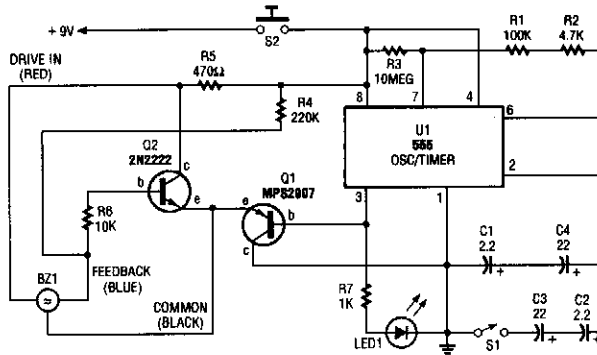
ENLARGING LIGHT METER (Cont.)

Resistors R3 and R4 should be selected for the meter used. With a dual supply of ± 12 V, U1 produces an output voltage of 10 V peak-to-peak. The resistance of R3 can be found by dividing the peak voltage (i.e., 10/2) by the full-scale meter current (in amps); i.e., $R_3 = (10/2)/0.0005 = 100,000 \Omega$. R4, the shunt resistor, should be selected to have a value equal to the meter's internal resistance.



Sound or light sensors connected to J2 produce a voltage that is amplified by IC1-a and IC1-b. A positive trigger voltage that is developed by D1 and D3 and amplified by IC1-d, drives IC2 and IC1 to trigger SCR1. SCR1 is connected to a strobe. This device is handy for photographic purposes to take pictures of events that involve sound, such as impacts, etc.

DARKROOM TIMER



1991 PE HOBBYIST HANDBOOK

FIG. 75-5

The electronic darkroom timer is built around a 555 oscillator/timer, a pair of general-purpose transistors, a buzzer, and an LED. The 555 (U1) is configured as an astable multivibrator (free-running oscillator). The frequency of the oscillator is determined by the values R_1 through R_3 and C_1 through C_4 . Switch S1 is used to divide the capacitor network to vary the time interval between beeps; when S1 is closed, the circuit beeps at intervals of 30 seconds. With S1 closed, it beeps at 15-second intervals.

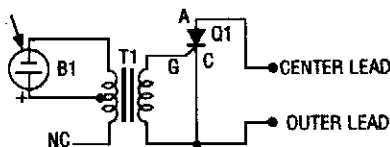
When power is applied to the circuit (by closing switch S2), the output of U1 at pin 3 is initially high. That high is applied to the base of transistor Q1 (an MPS2907 general-purpose pnp device), keeping it turned off. That high is also applied to the anode of LED1 (which is used as a power on indicator) through resistor R7, turning it on.

Timing capacitors C1 through C5 begin to charge through timing resistors R1 through R3. dc voltage is applied to BZ1's driver input through R5 and to its feedback terminal (through R4), which is also connected to Q2's base terminal. The V_+ voltage that applied to Q2's base causes it to turn on, tying BZ1's common terminal high.

When the timing capacitors are sufficiently charged, a trigger pulse is applied to pin 2 (the trigger input) of U2, causing U1's output to momentarily go low. This causes LED1 to go out and transistor Q1 to turn on. That, in turn, grounds the common lead of buzzer BZ1, causing BZ1 to sound. Afterward, the output of U1 returns to the high state, turning off Q1, and turning on LED1, until another time interval has elapsed and the process is repeated.

The circuit is powered by a 9-Vac adapter, which plugs into a standard 117-V household outlet. Because the circuit draws only about 10 to 15 mA, a 9-V alkaline transistor-radio-battery can also be used to power the circuit.

PHOTO STROBE SLAVE TRIGGER

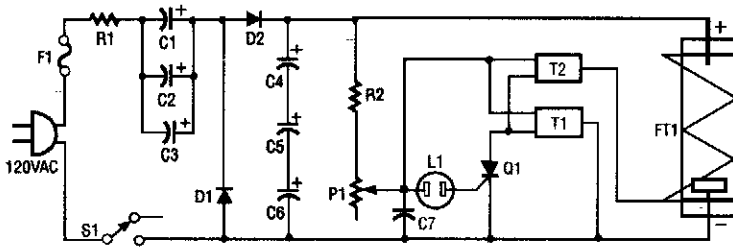


The photo strobe slave trigger circuit uses a solar cell and an SCR to flash any strobe when you trigger your "master" strobe. The tiny solar cell produces a very small voltage when light falls on its surface.

1991 PE HOBBYIST HANDBOOK

FIG. 75-6

STROBE LIGHT



- C1,C2,C3... 10 μ F 160V Electrolytic Capacitor
 C4,C5,C6... 160 μ F 200V Electrolytic Capacitor
 C7 0.5 μ F 250V Mylar Capacitor
 D1, D2 .. 1N4004 Diodes
 F1 1 Amp Pigtail Fuse
 FT1 Giant Xenon Strobe Tube
 L1 Neon Lamp
 P1 10 Meg Potentiometer
 Q1 106D1 SCR
 R1 20 ohm 10 Watt Power Resistor
 R2 270K 1/4 Watt Resistor
 S1 Slide Switch
 T1, T2 .. Trigger Coil

1991 PE HOBBYIST HANDBOOK

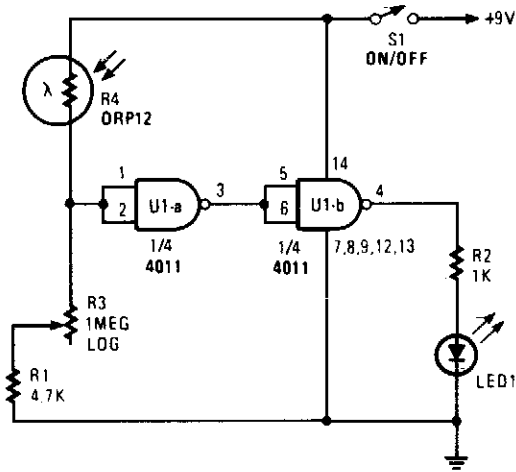
FIG. 75-7

This strobe light operates from standard 120-Vac power. R1 limits the amount of current applied to the voltage doubler stage, which is comprised of C1, C2, C3, D1, D2, C4, C5, and C6. Capacitors C1, C2, and C3 are connected in parallel and form a capacitance of 30 μ F at 160 V. Capacitors C4, C5, and C6 are connected in series and form an equivalent capacitor of about 53 μ F at 480 V. Diodes D1 and D2 not only rectify the ac voltage, but also complete the voltage doubler stage, which converts the incoming 120 Vac to the appropriately 300 V that are required by the xenon strobe tube.

The next stage of the circuit is the neon relaxation oscillator and trigger stage. This stage is made up of R2, P1, C7, L1, Q1, T1, and T2. As the storage capacitor (made up of C4, C5, and C6) reaches its full-capacity charge, the voltage divider (made up of R2 and P1) applies voltage to capacitor C7. As C7 charges up, it reaches a threshold voltage level, SCR Q1. When Q1 has a positive pulse on its gate, it fires (causes a short from anode to cathode). That firing action discharges most of the energy stored in C7 into trigger transformers T1 and T2 (which have secondaries connected in series to developer 8 kV). The frequency of the 8-kV pulses is determined by the setting of P1 and the value of C7. Because C7 is a fixed capacitor, only the setting of P1 adjusts the flash rate in this circuit.

As soon as an 8-kV pulse is applied from the secondary of T2 (trigger wire) to the trigger lead of FT1, it discharges storage capacitors C4, C5, and C6, which causes it to ionize (flash). The cycle then repeats itself until the power is removed from the circuit board by turning "off" S1 or removing the line cord.

ENLARGER EXPOSURE METER



Two gates of a 4011 are used as a comparator. When the resistance of R4 decreases the voltage at pin 1 and 2 increases, producing a logic zero at pin 3, causing pin 4 to go high and activating the LED. R3 is calibrated in light units, or seconds exposure time. To calibrate, set pot R3 so as to just be on the LED ON/OFF threshold. With a light level that is suitable to correctly expose a photographic print, use a known enlarger and a known negative.

76

Piezo Circuits

The sources of the following circuits are contained in the Sources section, which begins on page 675. The figure number in the box of each circuit correlates to the entry in the Sources section.

CMOS Piezo Driver

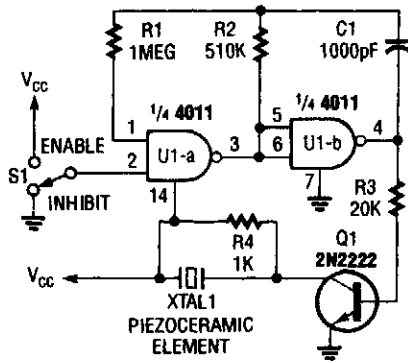
CMOS Piezo Driver Using 4049

Piezo Driver

Piezo Micropositioner Driver

555 Oscillator for Driving a Piezo Transducer

CMOS PIEZO DRIVER



POPULAR ELECTRONICS

FIG. 76-1

A CMOS-gate and transistor buffer can be used as an effective driver for a piezoelectric transducer.

CMOS PIEZO DRIVER USING 4049

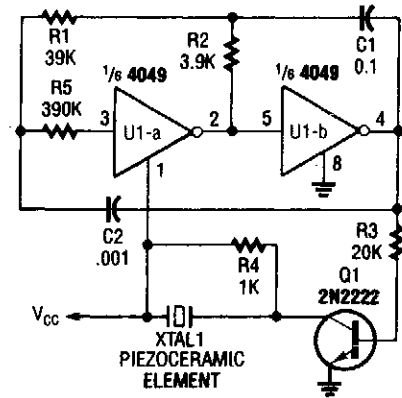
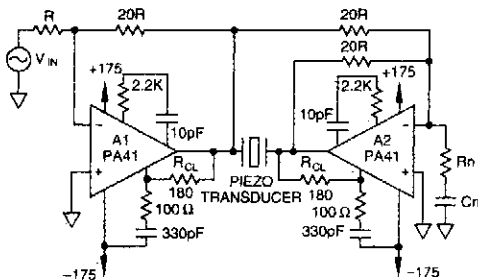


FIG. 76-2

This circuit uses a 4049 IC to drive a 2N2222 switching transistor. The transistor drives crystal 1 a piezo transducer.

PIEZO DRIVER

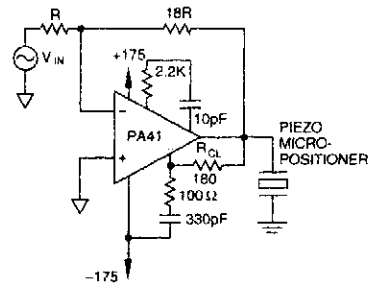


ELECTRONIC DESIGN

FIG. 76-3

Using a PA41 from Apex Microtechnology, this monolithic amplifier is capable of 350-V operation and delivers 660 V p-p in a bridge circuit.

PIEZO MICROPOSITIONER DRIVER

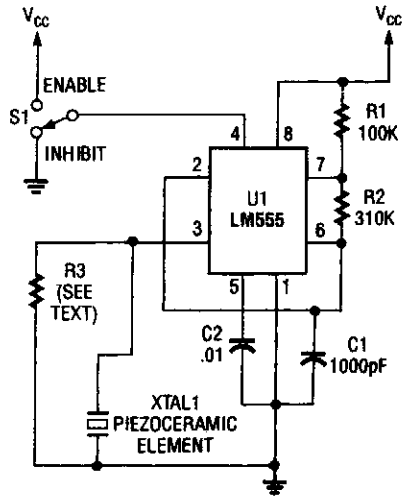


ELECTRONIC DESIGN

FIG. 76-4

The PA41 from Apex Microtechnology is used here to drive a piezoelectric micropositioner. The drive voltage is less than 20 V p-p at input.

555 OSCILLATOR FOR DRIVING A PIEZO TRANSDUCER



POPULAR ELECTRONICS

FIG. 76-5

A 555-timer oscillator is perhaps one of the most popular circuits for driving a piezoelectric transducer.

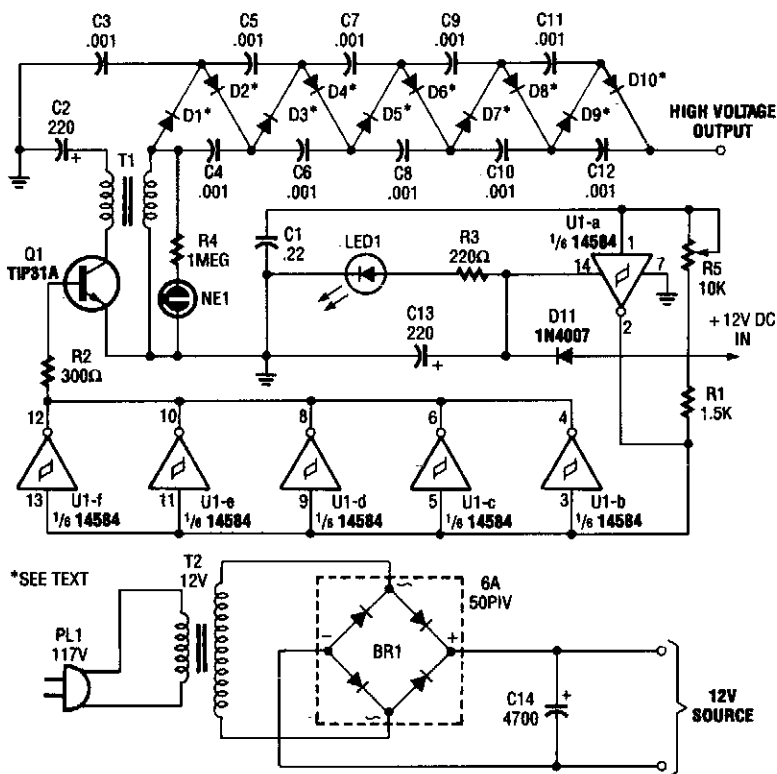
77

Power Supply Circuits—High Voltage

The sources of the following circuits are contained in the Sources section, which begins on page 675. The figure number in the box of each circuit correlates to the entry in the Sources section.

High-Voltage dc Generator
Fluorescent Tube Power Supply
Photomultiplier Supply
Negative Voltage Supply
Photomultiplier Circuit
Single-Chip dc Supply for 120–240 Vac Operation
High-Voltage Supply
Cold-Cathode Fluorescent-Lamp Power Supply

HIGH-VOLTAGE dc GENERATOR



1990 PE HOBBYIST HANDBOOK

FIG. 77-1

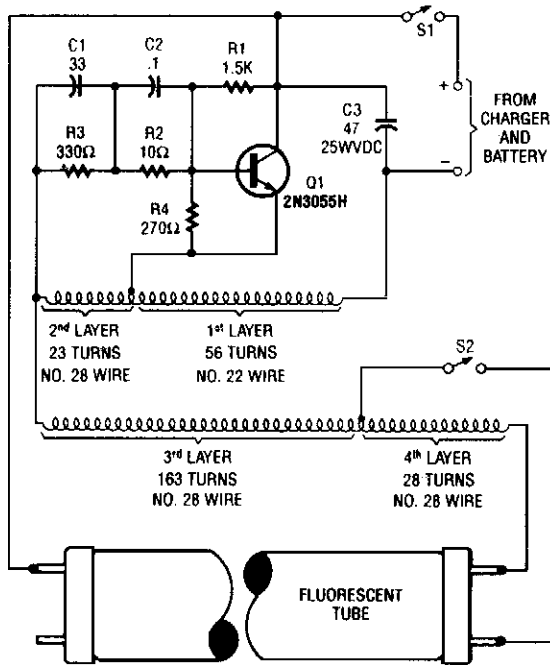
In the miniature high-voltage dc generator, the input to the circuit, taken from a 12-Vdc power supply, is magnified to provide a 10,000-Vdc output causing a pulsating signal, of opposite polarity, to be induced in T1's secondary winding.

The pulsating dc output at the secondary winding of T1 (ranging from 800 to 1000 V) is applied to a 10-stage voltage-multiplier circuit, which consists of D1 through D10, and C3 through C12. The multiplier circuit increased the voltage 10 times, producing an output of up to 10,000 Vdc. The multiplier accomplishes its task by charging the capacitors (C3 through C12); the output is a series addition of the voltages on all the capacitors in the multiplier.

In order for the circuit to operate efficiently, the frequency of the square wave, and therefore the signal applied to the multiplier, must be considered. The output frequency of the oscillator (U1-a) is set by the combined values of R_1 , R_5 , and C_1 (which with the values specified is approximately 15 kHz). Potentiometer R5 is used to fine tune the output frequency of the oscillator. The higher the frequency of the oscillator, the lower the capacitive reactance in the multiplier.

Light-emitting diode LED1 serves as an input-power indicator, and neon lamp NE1 indicates an output at the secondary of T1. A good way to get the maximum output at the multiplier is to connect an oscilloscope to the high-voltage output of the multiplier, via a high-voltage probe, and adjust potentiometer R5 for the maximum voltage output.

FLUORESCENT TUBE POWER SUPPLY

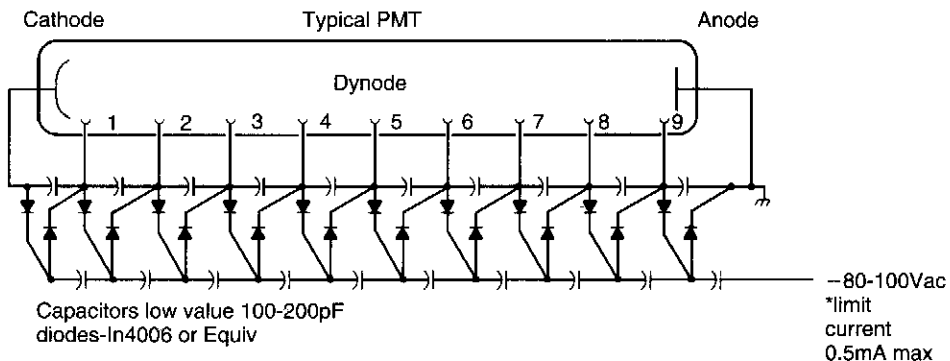


POPULAR ELECTRONICS

FIG. 77-2

A 2N3055 oscillator (Q1) drives a homemade transformer, wound on a $\frac{5}{16} \times 1\frac{1}{8}$ " ferrite rod. S2 is used as a filament switch and it can be eliminated, if desired. A 20-W fluorescent tube is recommended. The supply is 12 V.

PHOTOMULTIPLIER SUPPLY



73 AMATEUR RADIO TODAY

FIG. 77-3

A Cockcroft-Walton voltage multiplier supplies the stepped voltage required for the dynodes of the PMT without the power-wasting voltage-divider resistor string that is traditionally used.

NEGATIVE VOLTAGE SUPPLY

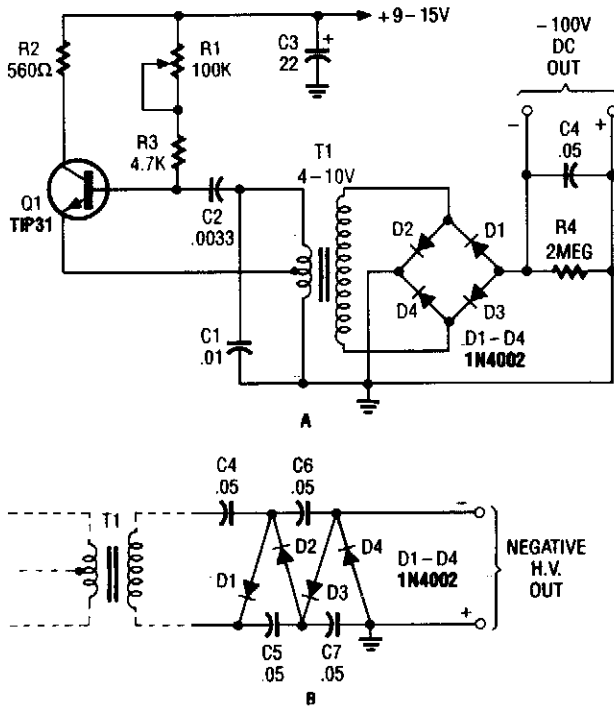


FIG. 77-4

POPULAR ELECTRONICS

The combination Hartley oscillator/step-up transformer shown in A can generate significant negative high voltage, especially if the voltage output of the transformer is multiplied by the circuit.

PHOTOMULTIPLIER CIRCUIT

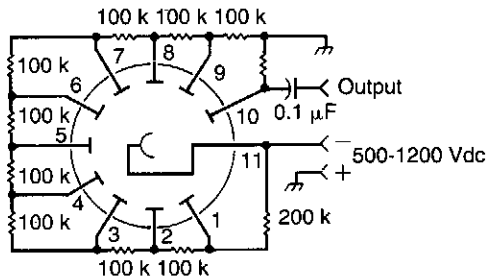
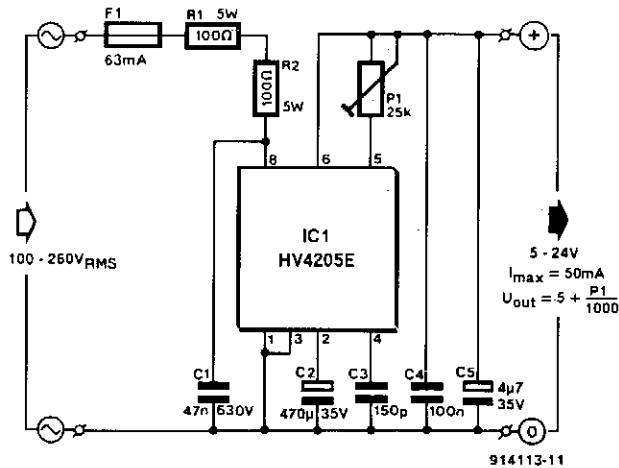


FIG. 77-5

73 AMATEUR RADIO TODAY

This circuit is typical of the way that a photomultiplier tube is used. The circuit shown is ac coupled, but if dc coupling is needed, the capacitor can be omitted and a suitable interfacing method used. A typical tube is the widely available 931/931A.

SINGLE-CHIP dc SUPPLY FOR 120-TO 240-Vac OPERATION

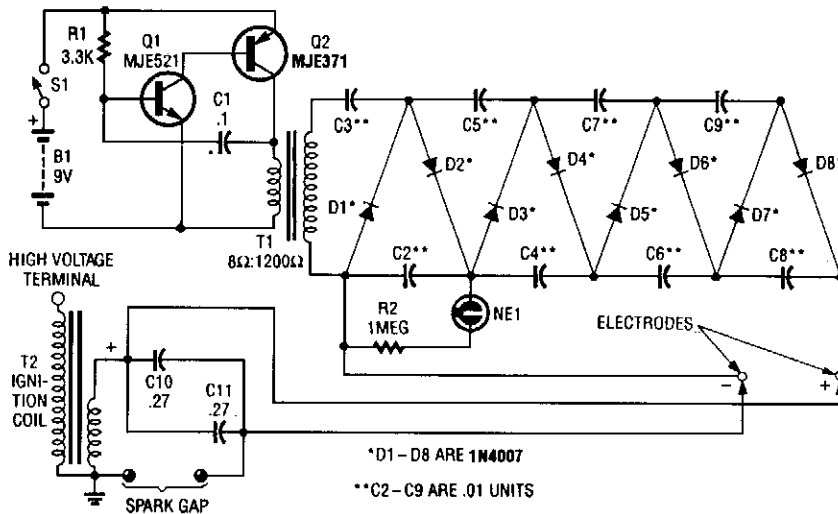


ELEKTOR ELECTRONICS

FIG. 77-6

Direct derivation of 5 to 24 Vdc from ac mains, without a transformer is possible with this circuit. Note that a direct mains connection to the dc output exists. *Suitable safety precautions must be taken.*

HIGH-VOLTAGE SUPPLY

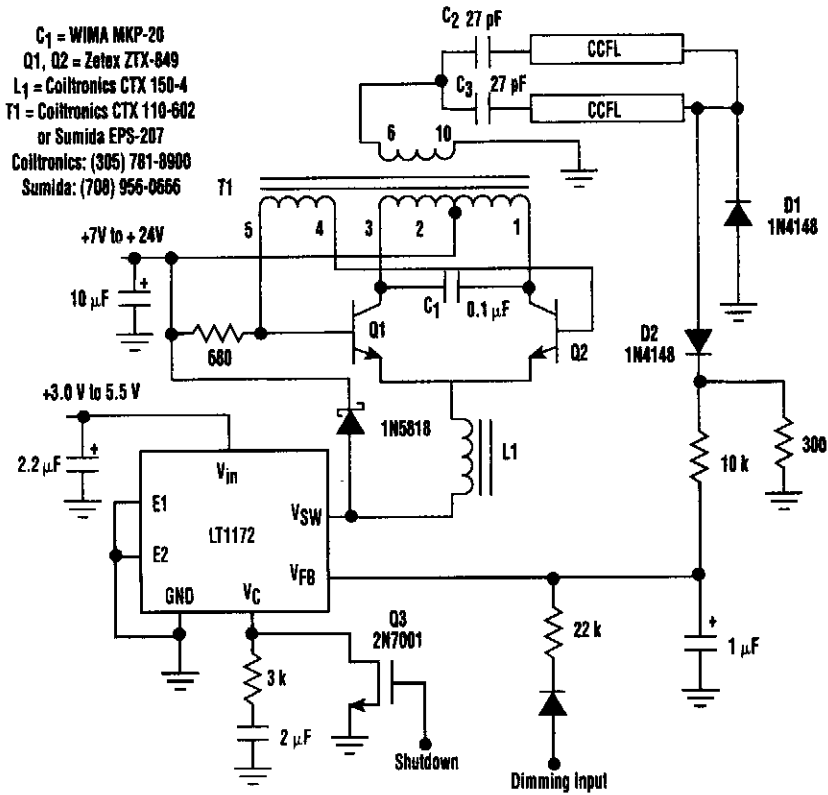


POPULAR ELECTRONICS

FIG. 77-7

This circuit uses a transistor oscillator and a voltage multiplier to charge C10 and C11 to a high voltage. When the spark gap breaks down, T2 produces a high-voltage pulse via the capacitance discharge of C10 and C11 into its primary. T2 is an auto ignition coil.

COLD-CATHODE FLUORESCENT-LAMP POWER SUPPLY



ELECTRONIC DESIGN

FIG. 77-8

This circuit is a 92%-efficient power supply for cold-cathode fluorescent lamps (CCFLs), which are used to backlight LCD in portable equipment. The efficiency depends heavily on the component types, particularly C₁, Q₁, Q₂, L₁, and T₁, whose manufacturers are noted.

Power Supply Circuits—Low Voltage

The sources of the following circuits are contained in the Sources section, which begins on page 675. The figure number in the box of each circuit correlates to the entry in the Sources section.

Tracking Double-Output Bipolar Supply	5-V to 3.3-V Switching Regulator
Universal Laboratory Power Supply	24-V to 3.3-V Switching Regulator
+5 V/+3.6 V from 4 AA Cells	Laptop Computer Power Supply
Inductorless Switching Regulator	Subwoofer Amplifier Power Supply
Single LTC Power Supply	Dual Voltage-Rectifier Circuit
Configurable Power Supply	Dual Audio Amplifier Power Supply
Combination Voltage and Current Regulator	Diodeless Rectifier
HV Power Supply with 9-to 15-Vdc Input	Regulator Loss Cutter
Inductorless Power Supply Converter	Synchronous Stepdown Switching
Simple Negative Supply for	Regulator with 90% Efficiency
Low-Current Applications	±5- to ±35-V Tracking Power Supply
Inverting Power Supply	8-V from 5-V Regulator
Multivoltage Power Supply	+1.5-V Supply for ZN416E Circuits
Current-Limiting Regulator	Antique Radio dc Filament Supply
Neon Lamp Driver for 5- to 15-V Supplies	Inexpensive Isolation Transformer
13.8-Vdc 2-A Regulated Power Supply	(Impromptu Setup)
0- to 12-V, 1-A Variable Power Supply	5-V UPS
Voltage Doubler Supply	+5-V Supply
Adjustable 20-V Supply	Add 12-V Output to 5-V Buck Regulator
Switching Regulator Converter	Telecom Converter -48 V to +5 V @ 1 A

TRACKING DOUBLE-OUTPUT BIPOLAR SUPPLY

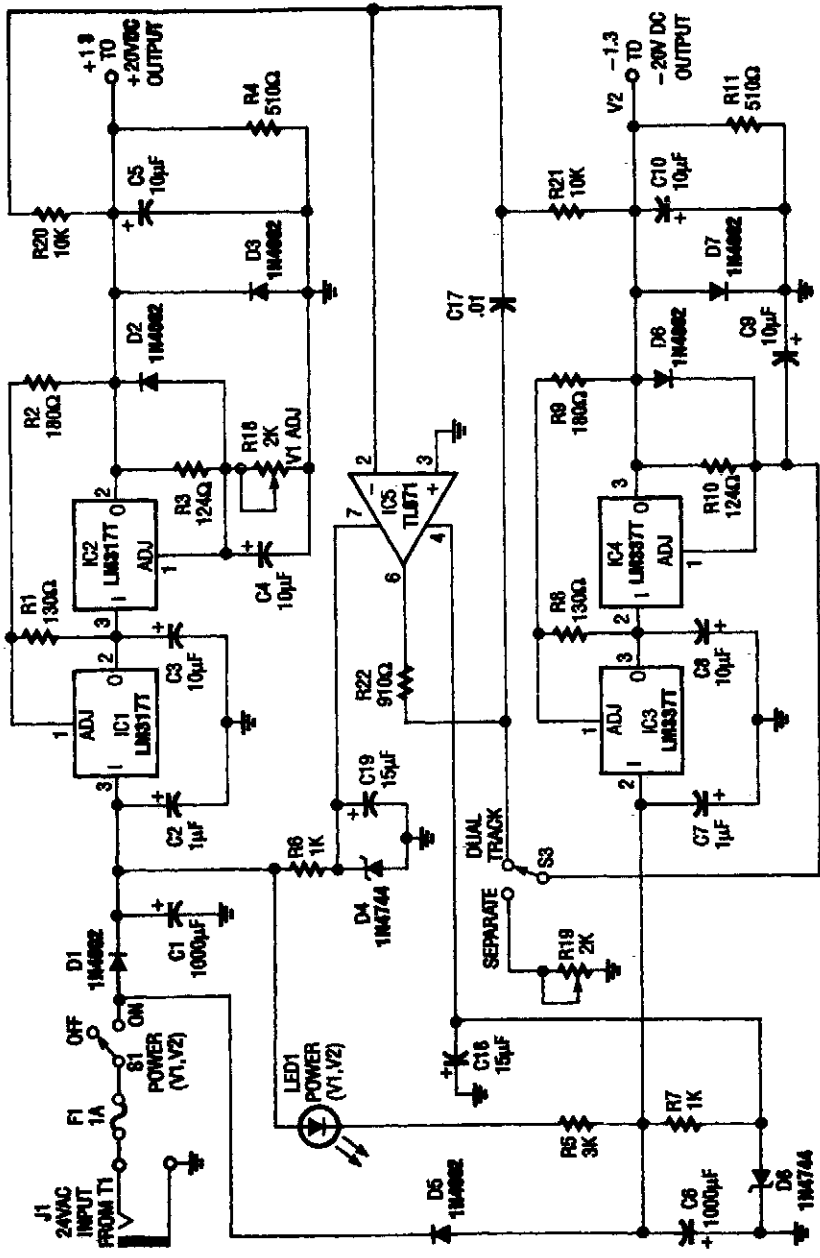
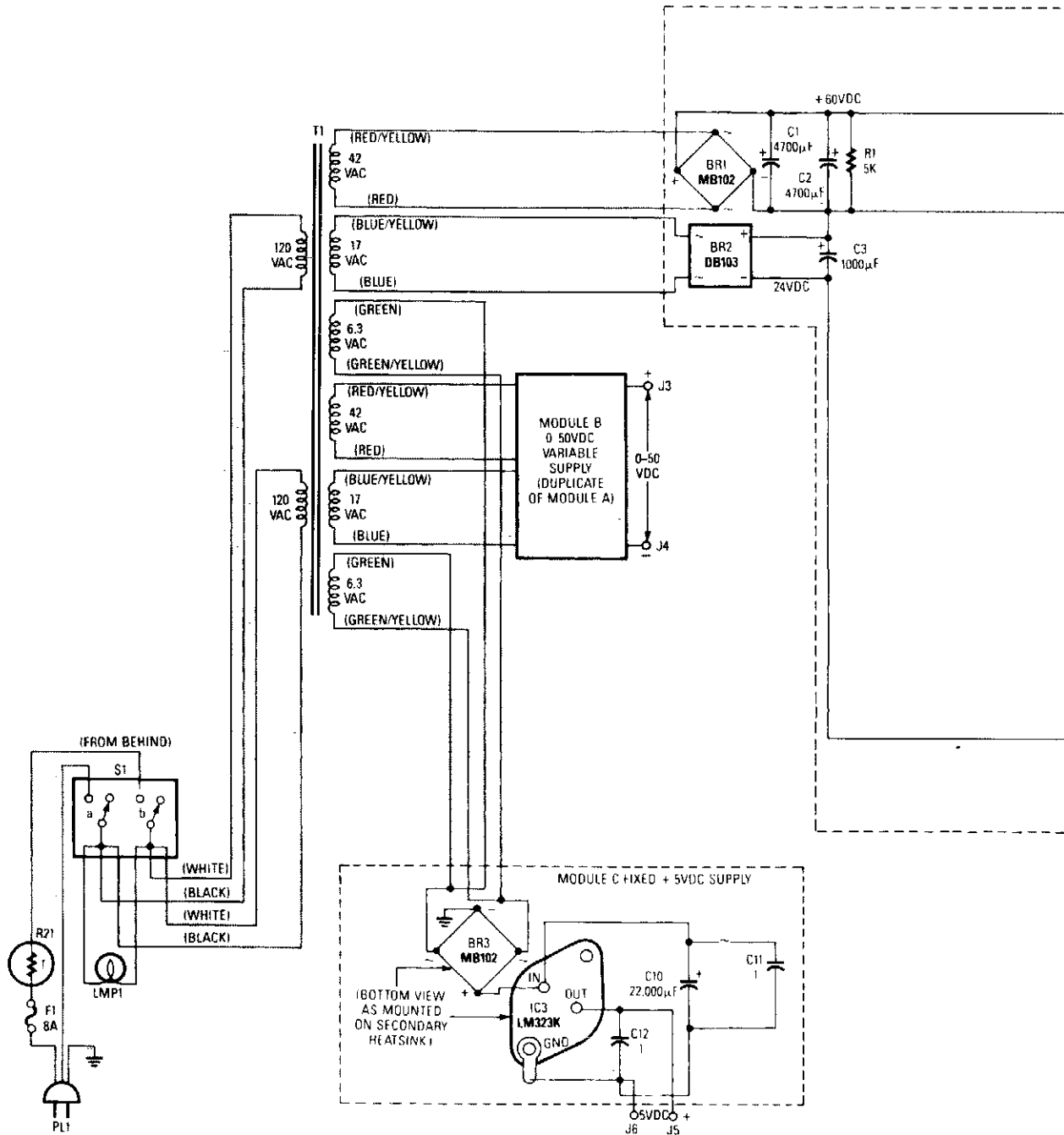


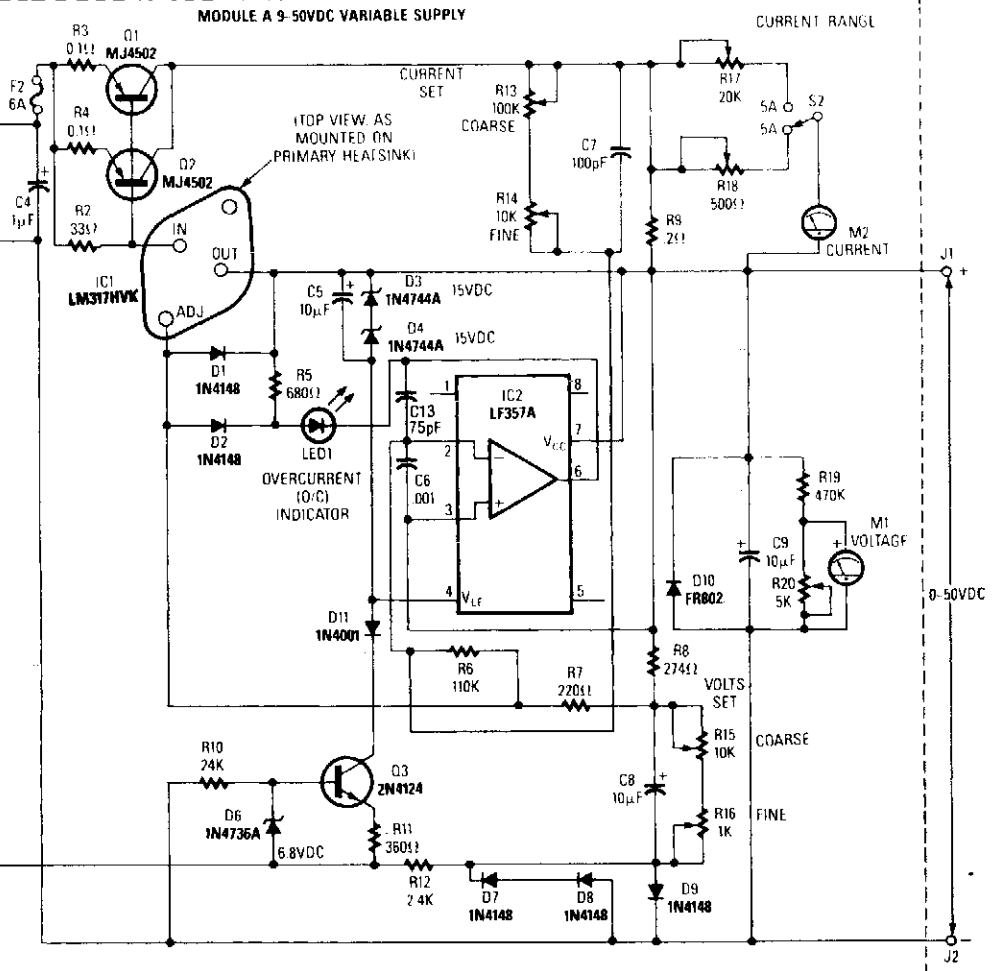
FIG. 78-1

ELECTRONICS NOW

This circuit is useful for a bench supply in the lab. Separate or tracking operation is possible. The regulators should be properly heatsinked. T1 is a 24-Vac wall transformer of suitable current capacity.

UNIVERSAL LABORATORY POWER SUPPLY





The value of the design lies in the use of IC1, an LM317HVK adjustable series-pass voltage regulator, for broad-range performance remainder supplies voltage-setting and current-limiting functions. The input to IC1 comes from the output of BR1, which is filtered by C1 and C2 to about +60 Vdc, and the input for current-sense comparator IC2 comes from BR2, which also acts as a negative bias supply for regulation down to ground. The output voltage is determined by:

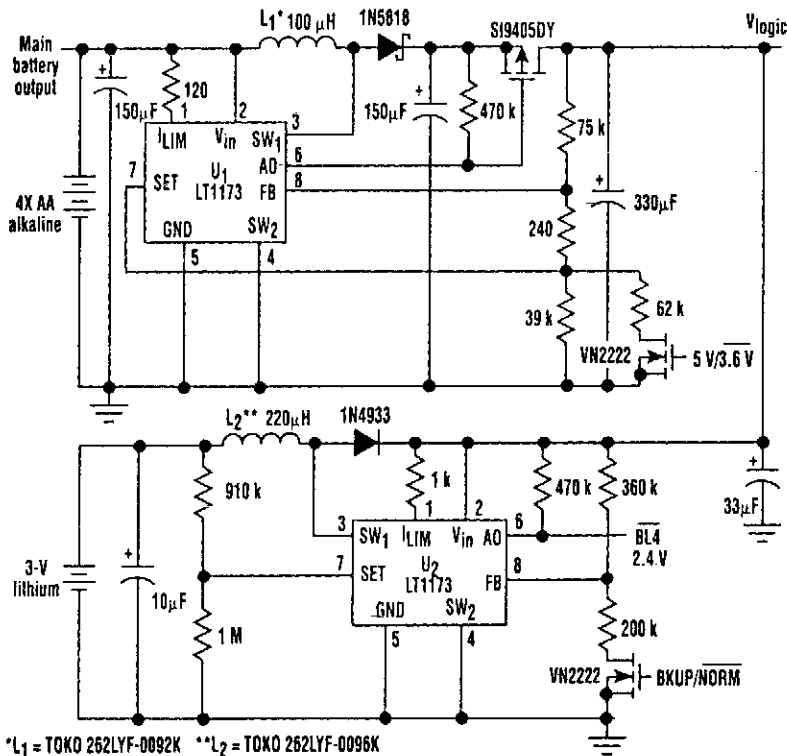
$$(V_{OUT} - 1.25 + 1.3)/(R_{15} + R_{16}) = 1.25/R_8.$$

Thus, the maximum value from each variable supply board is:

$$V_{OUT} = (1.25/R_8) \times (R_{15} + R_{16}) = 50.18 \text{ Vdc}.$$

FIG. 78-2

+5 V/+3.6 V FROM 4 AA CELLS



ELECTRONIC DESIGN

FIG. 78-3

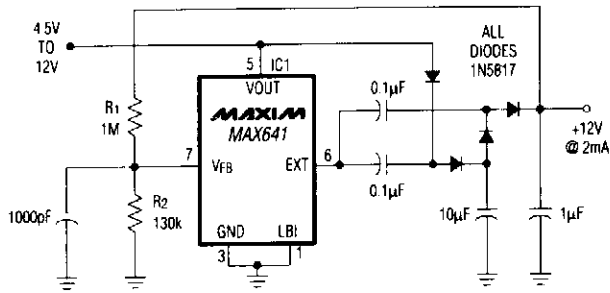
With this unique logic-power-converter design (see the figure), a switchable 3.6 or 5 V at 200 mA can be attained by using four AA cells. The supply incorporates a MOSFET switch that can switch to a lithium backup battery, providing a 3.4-V output when the main battery is dead or removed. The supply consumes only 380 μA under no-load conditions.

The circuit operates in a somewhat novel mode as a step-up/step-down converter. When the cells are fresh (from about 6 V to about 5.2 V), the LT1173's gain block drives the p-channel MOSFET, which turns the circuit into a linear voltage regulator. This might seem inefficient, but the batteries are quick to drop from 6 V to 5 V. With a 5-V input, the efficiency (for the 3.6-V output) is 3.6/5 or 72%, which is reasonable. As the battery-pack drops in voltage, efficiency increases, reaching greater than 90% with a 4.2-V input.

At a point below a 4-V input, the circuit switches to step-up mode. This mode squeezes the batteries for all of their available energy. In this case, efficiency runs between 83% at approximately a 4-V input to 73% at a 2.5-V input.

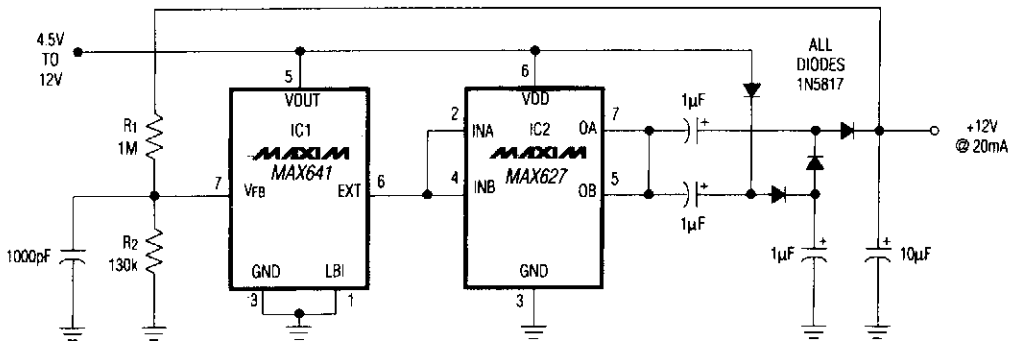
The supply can deliver 200 mA over its entire operational range. In its linear mode of operation, the supply has no current spikes that, because of the fairly high internal resistance of the alkaline cells, can reduce battery life. The topology delivers over 9.3 hours of 3.6-V 200-mA output power, compared to just 7 hours using the traditional flyback topology that is used in other designs.

INDUCTORLESS SWITCHING REGULATOR



Substituting the diode-capacitor network shown for an inductor allows this switching-regulator IC to deliver 2mA at comparable line and load regulation, with somewhat reduced efficiency.

A



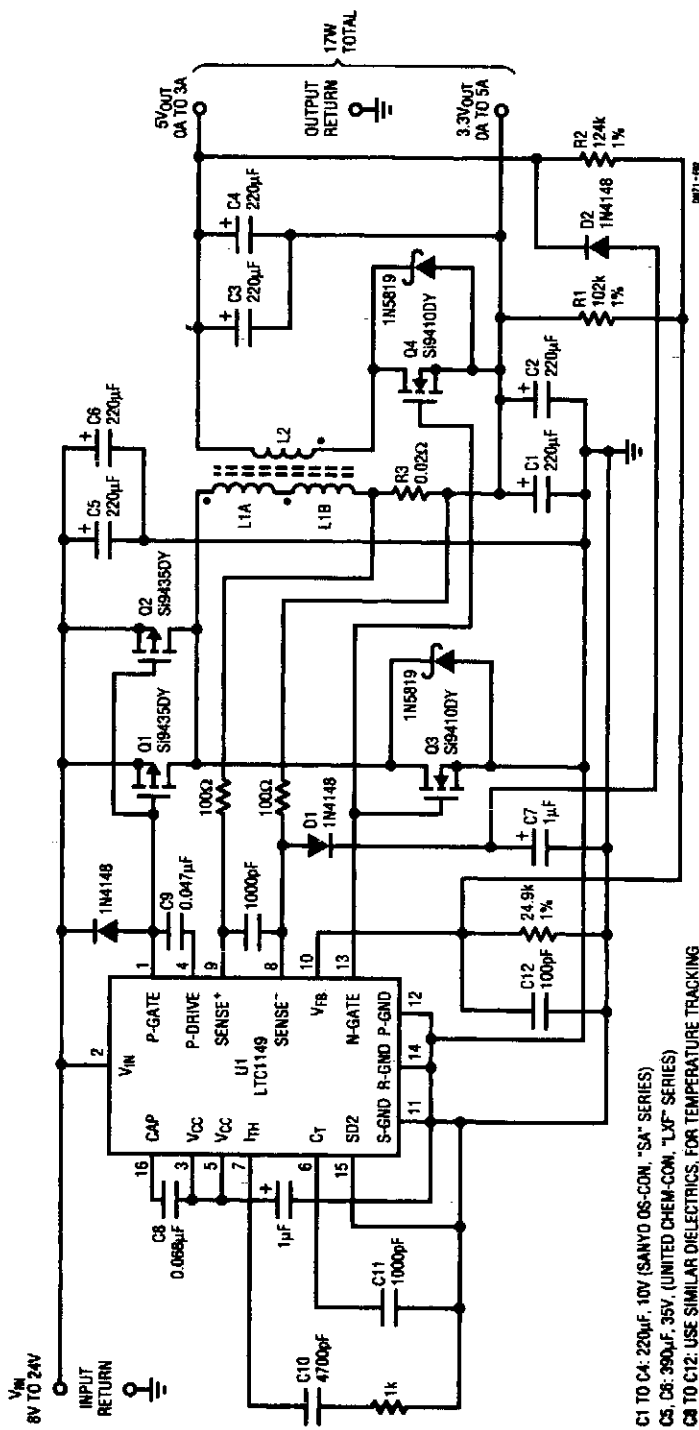
Introducing an MOS driver (IC₂) enables the Figure 1 circuit to deliver as much as 20mA.

B

In conventional applications, switching-regulator ICs regulate V_{OUT} by controlling the current through an external inductor. The IC in A, however, driving a diode-capacitor network in place of the inductor, offers comparable performance for small loads. The network can double, triple, or quadruple the input voltage.

Feedback from the R1/R2 voltage divider enables IC1 to set the regulated-output level. (As shown, the circuit derives 12 V from a 5- to 12-V input and provides as much as 2 mA of output current.) Adding a noninverting MOS driver (B) boosts the available output current to 20 mA. Substituting the diode-capacitor network shown for an inductor allows this switching-regulator IC to deliver 2 mA at comparable line and load regulation, with somewhat reduced efficiency.

SINGLE LTC POWER SUPPLY



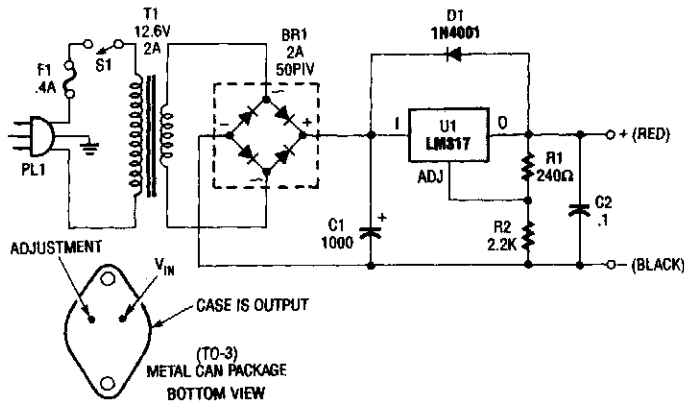
- C1 TO C4: 220µF, 10V (SANYO OS-CON, "SA" SERIES)
- C5, C6: 390µF, 35V (UNITED CHEM-CON, "LXF" SERIES)
- C8 TO C12: USE SIMILAR DIELECTRICS FOR TEMPERATURE TRACKING (DO NOT USE TYPE Z5U CERAMIC CAPACITORS)
- R3: 0.02Ω, NONINDUCTIVE, IRC TYPE MSM-1-0.02Ω±5%
- L1A, L1B, L2: SEE TEXT
- UNMARKED RESISTORS ARE 0.25W, 5%

LINEAR TECHNOLOGY

FIG. 78-5

One LTC 1149 synchronous switching regulator can deliver both 3.3- and 5-V outputs. The design's simplicity, low cost, and high efficiency make it a strong contender for portable, battery-powered applications. The circuit described accepts input voltages from 8 to 24 V, to power any combination of 3.3-V and 5-V loads totalling 17 W or less. For input voltages in the 8-V to 16-V range, the LTC1148 may be used, reducing both quiescent current and cost.

CONFIGURABLE POWER SUPPLY



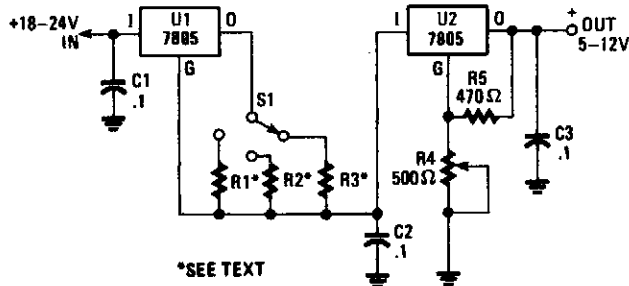
POPULAR ELECTRONICS

FIG. 78-6

The adjustable supply can easily be reconfigured by altering the value of V_2 and beefing up some other components, as is necessary.

The output voltage is given by $V_{OUT} = 1.25 (1 + R_2/R_1)$. R_2 can be changed, as is necessary.

COMBINATION VOLTAGE AND CURRENT REGULATOR



POPULAR ELECTRONICS

FIG. 78-7

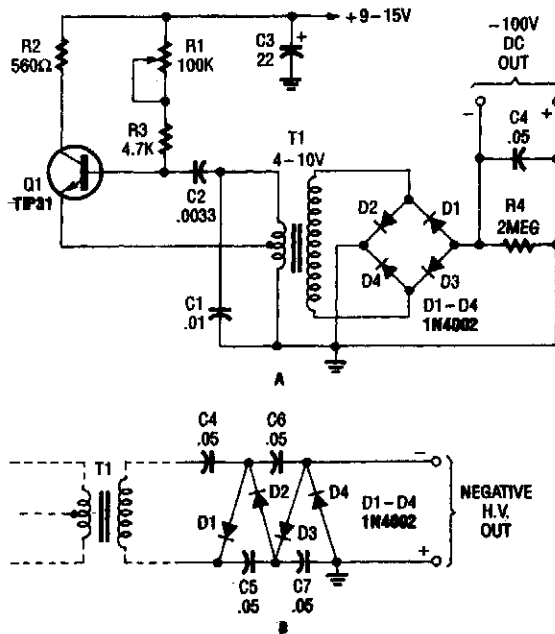
This voltage-regulator/current-limiter combination can be made from two 7805 regulators as shown. R_1 , R_2 , and R_3 should be selected for a 5-V drop at the maximum allowable current limit. S_1 selects one of the three current values. Do not forget that U_1 requires 5 mA to operate and this means that the minimum current limit setting should be 10 mA or more ($R_1 = 1.25 \text{ k}\Omega$). Resistor values are as follows:

$$R_x \text{ (k}\Omega\text{)} = \frac{5 \text{ volts}}{\text{(current limit mA} - 5 \text{ mA)}}$$

For 100 mA,

$$R_x = \frac{5}{100-5} = \frac{5}{95} \text{ k}\Omega \text{ or } 52.5 \Omega$$

HV POWER SUPPLY WITH 9-TO 15-Vdc INPUT

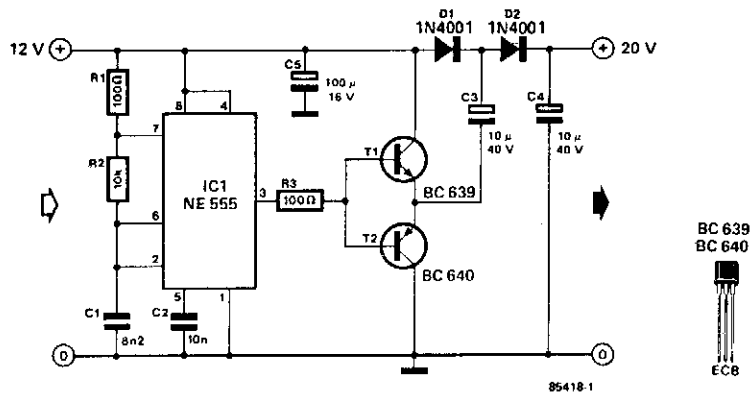


POPULAR ELECTRONICS

FIG. 78-8

The combination Hartley oscillator/step-up transformer shown in A can generate significant negative high voltage, especially if the voltage output of the transformer is multiplied by the circuit in B.

INDUCTORLESS POWER SUPPLY CONVERTER

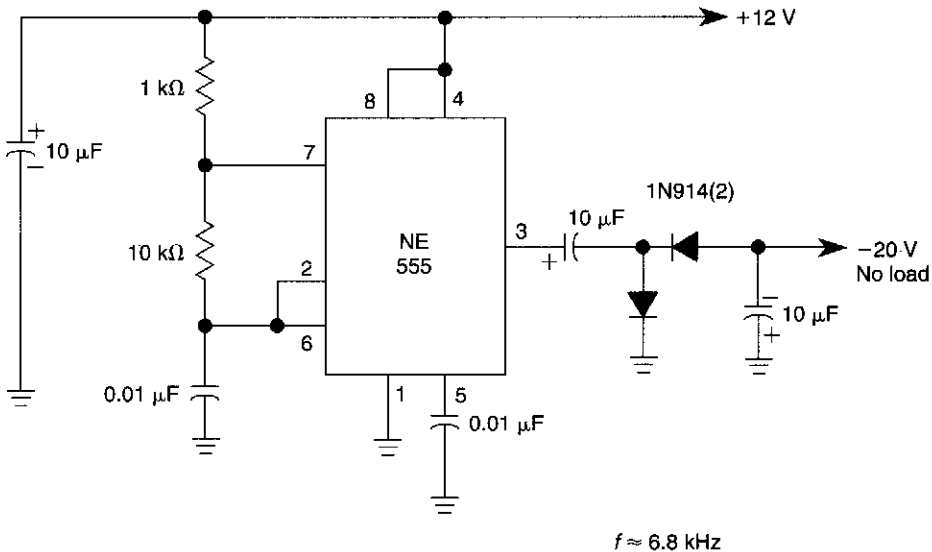


303 CIRCUITS

FIG. 78-9

Using a 555 timer and voltage doubler, this circuit will supply ≥ 50 mA at 20 Vdc. T1 and T2 act as power amplifiers to drive the voltage doubler. Frequency of operation is approximately 8.5 kHz.

SIMPLE NEGATIVE SUPPLY FOR LOW-CURRENT APPLICATIONS

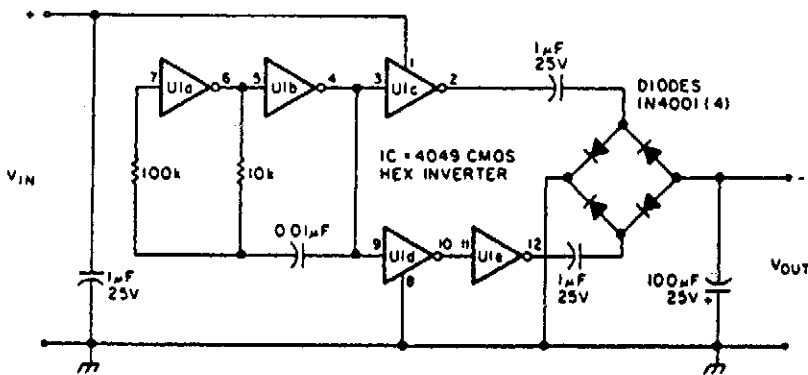


WILLIAM SHEETS

FIG. 78-10

This dc negative-voltage generator based on the 555 produces a negative output voltage equal to approximately 2x the dc supply voltage.

INVERTING POWER SUPPLY

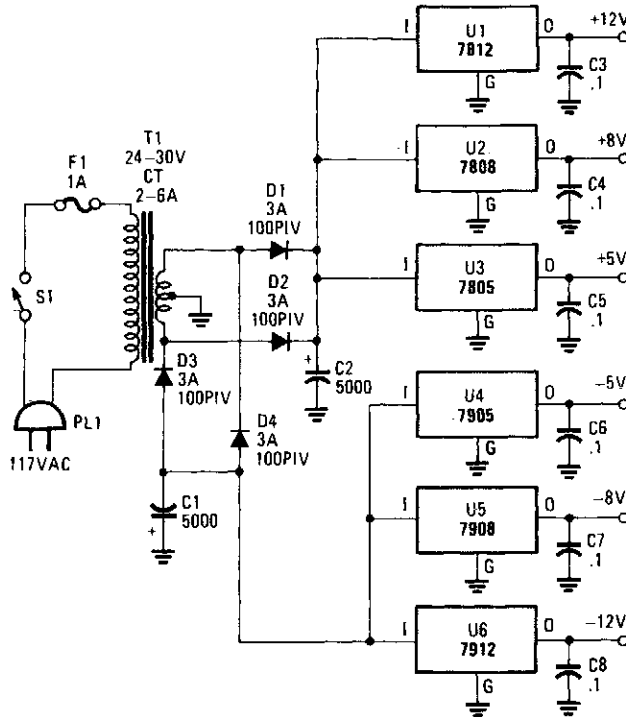


73 AMATEUR RADIO TODAY

FIG. 78-11

This circuit will provide a negative dc voltage that is approximately equal to the positive input voltage at no load and about 3 V less at 10 mA load. V_{IN} is from +5 to +15 Vdc. Do not exceed 15 V or U1 might be damaged.

MULTIVOLTAGE POWER SUPPLY

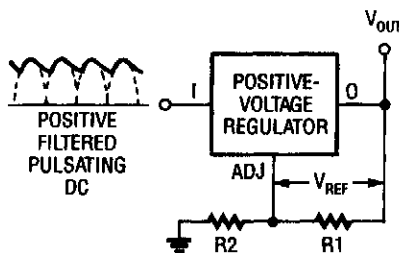


POPULAR ELECTRONICS

FIG. 78-12

This dual-polarity, multivoltage power supply can be built for a very small investment. The circuit is built around 78XX and 79XX series 1-A voltage regulators, four 3-A diodes, a 24-30-V 2-6-A transformer, and eight filter capacitors.

CURRENT-LIMITING REGULATOR

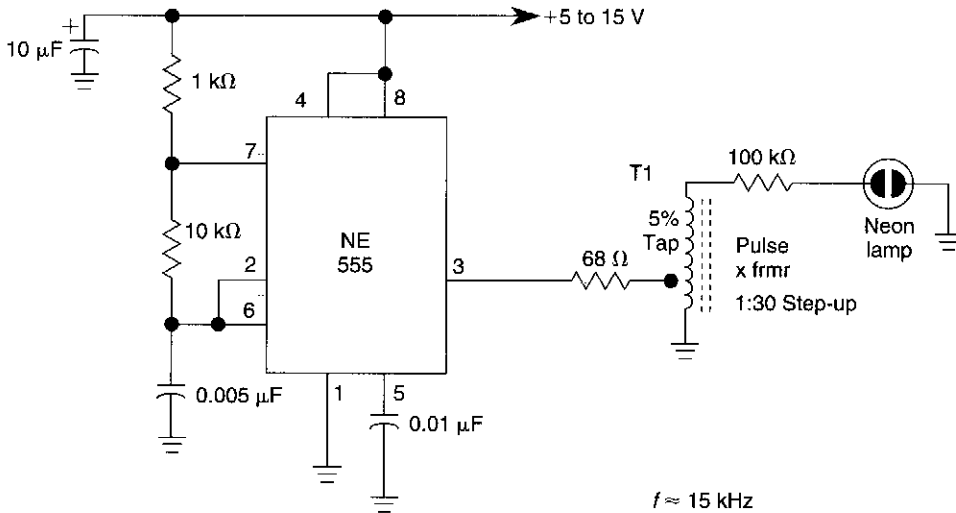


Floating adjustable regulators can be used as current limiters. Resistor R1 programs the current flowing through R2.

1993 ELECTRONICS HOBBYISTS HANDBOOK

FIG. 78-13

NEON LAMP DRIVER FOR 5- TO 15-V SUPPLIES

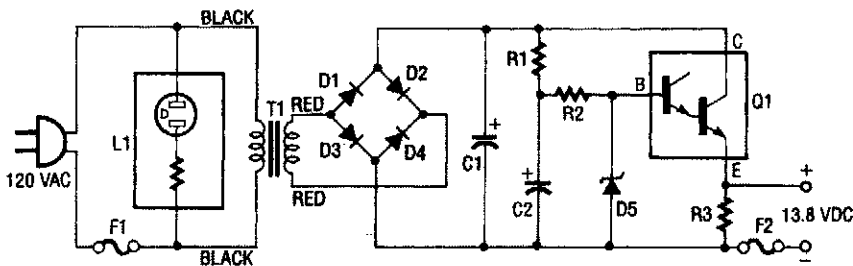


WILLIAM SHEETS

FIG. 78-14

This neon-lamp driver based on the 555 T1 can be wound on an old TV flyback transformer core.

13.8-Vdc 2-A REGULATED POWER SUPPLY

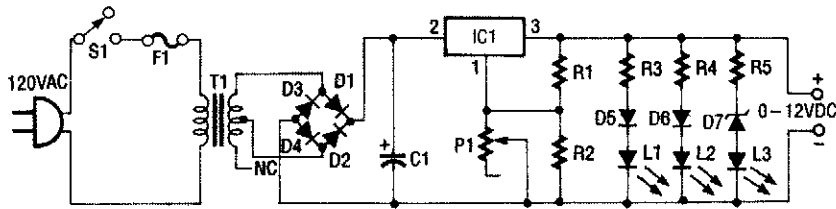


1991 PE HOBBYIST HANDBOOK

FIG. 78-15

This regulated power supply consists of step-down transformer T1, a full-wave rectifier bridge (D1 through D4), and a filtering regulator circuit made up of C1, C2, R1, R2, R3, D5, and Q1. When 120 Vac is provided, the neon-lamp assembly L1 lights up, and transformer T1 changes 120 Vac to about 28 Vac. The rectifier bridge, D1 through D4, rectifies the ac into pulsating dc, which is then filtered by C1. Capacitor C1 acts as a storage capacitor. Zener diode D5 keeps the voltage constant across the base of Darlington regulator Q1, causing constant voltage across resistor R3 and the (+) and (-) output terminals, where the load is connected. Fuse F2 is used to open ("blow"), if the current through the output terminals is too high. Make sure to take proper precautions when using projects powered by 120 Vac.

0- TO 12-V, 1-A VARIABLE POWER SUPPLY



1991 PE HOBBYIST HANDBOOK

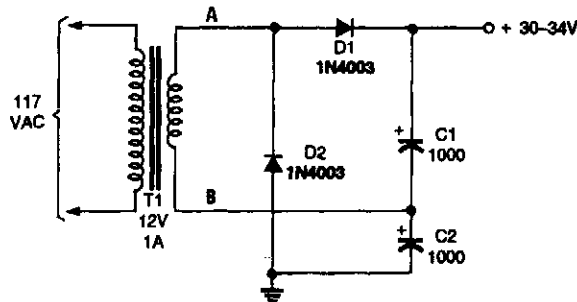
FIG. 78-16

This 0- to 12-Vdc variable power supply uses an IC voltage regulator and a heavy-duty transformer to provide a reliable dc power supply. Looking at the schematic shown, you can see that transformer T1 has a 120-V primary and a 28-V secondary.

Filtered dc is fed to the input (pin 2) of the LM317T voltage regulator, IC, which keeps the voltage at its output constant (pin 3) regardless (within limitations) of the input voltage. Pin 1 of the LM317T is the adjustment pin. Varying the voltage on pin 1 (via P1) varies the output voltage.

Diodes D5 through D7 and LEDs L1 through L3 give an approximate indication of the output voltage. Each LED/diode path has a limiting resistor to limit the current to a level that is safe for the LED.

VOLTAGE DOUBLER SUPPLY

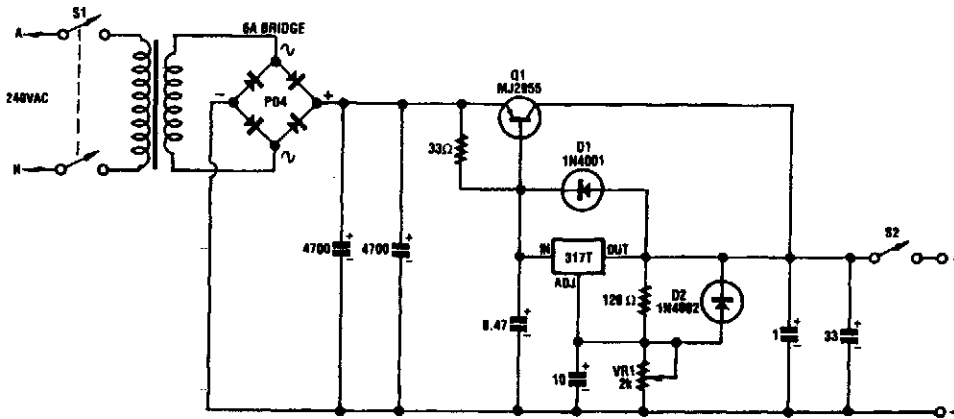


POPULAR ELECTRONICS

FIG. 78-17

The voltage doubler is built around a pair of diodes (D1 and D2) and a pair of capacitors (C1 and C2) that are fed from, in this case, a 12-V, 1-A step-down transformer (T1).

ADJUSTABLE 20-V SUPPLY



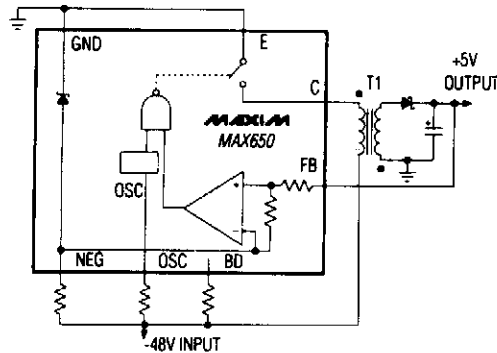
SILICON CHIP

FIG. 78-18

This circuit can deliver 3 A or more and a maximum dc voltage of a little over 20 V. It is designed around the readily available LM317T adjustable 3-terminal regulator and has a pnp power transistor to boost the current output.

The transformer has an 18-V secondary rated at 6 A; this feeds to bridge rectifier and two 4700- μ F capacitors to yield around 25 Vdc. This voltage is fed to the emitter of the MJ2955 transistor and to the input of the LM317 via a 33- Ω resistor.

SWITCHING REGULATOR CONVERTER

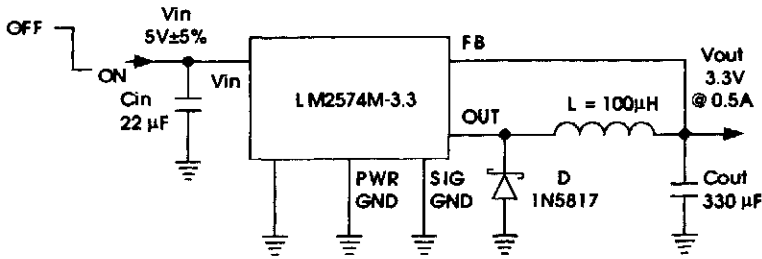


MAXIM ENGINEERING JOURNAL

FIG. 78-19

The Max650 switching regulator produces a regulated 5 V from large negative voltages, such as the -48 V found on telephone lines. The resulting power supply operates with several external components, including a transformer, and it delivers 250 mA. The device includes a 140-V 250-mA pnp transistor, short-circuit protection, and all necessary control circuitry.

5-V TO 3.3-V SWITCHING REGULATOR



NATIONAL SEMICONDUCTOR, LINEAR EDGE

FIG. 78-20

A National Semiconductor LM2574 is used to derive 3.3 V at 0.5 A from a 5-V logic bus. The duty cycle is:

$$\frac{V_{OUT} + V_D - V_{IND}}{V_{IN} - V_{SAT} + V_D - 2 V_{IND}}$$

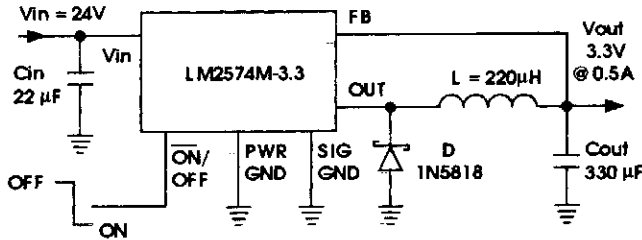
V_D = diode drop (0.39)

V_{IND} = inductor dc drop

V_{SAT} = saturation voltage of LM2574 (0.9 V typical)

This circuit should be useful to derive 3.3 V for logic devices from existing +5-V buses.

24-V TO 3.3-V SWITCHING REGULATOR



NATIONAL SEMICONDUCTOR, LINEAR EDGE

FIG. 78-21

The National Semiconductor LM2574 delivers 3.3 V out at 0.5 A from a 24-V source. The duty cycle is:

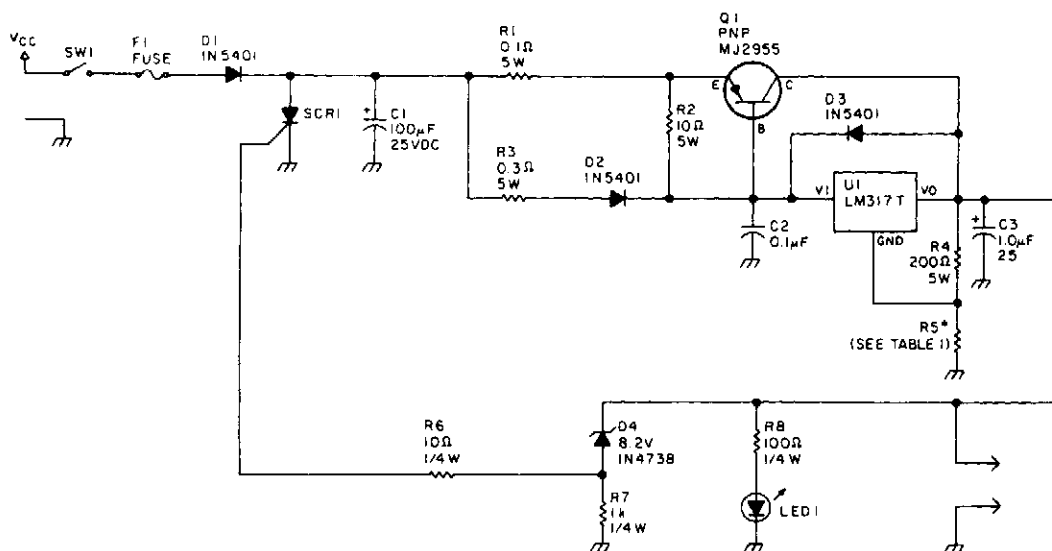
$$\frac{V_{OUT} + V_D - V_{IND}}{V_{IN} - V_{SAT} + V_D - 2 V_{IND}}$$

V_D = diode drop (0.39)

V_{IND} = inductor dc drop

V_{SAT} = saturation voltage of LM2574 (0.9 V typical)

LAPTOP COMPUTER POWER SUPPLY



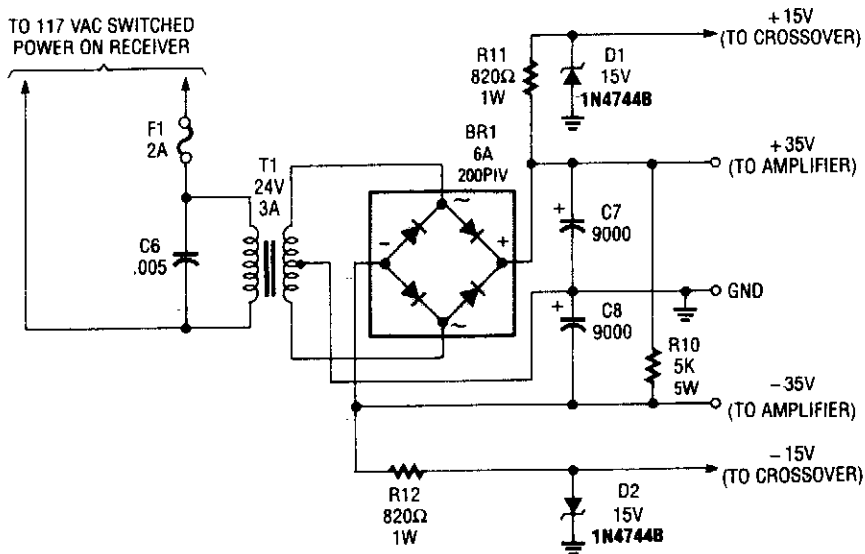
R5 Resistor Value	Voltage Out
750Ω	5V
910Ω	6V
1.2K	8V
1.5K	9V
1.8K	10V
2.0K	12V
2.7K	15V
3.3K	18V
3.6K	20V
4.3K	24V

Note: Any output voltage value greater than 10V requires a higher input voltage than 13.6V. In addition capacitor working voltage ratings will have to be increased accordingly. Allow a minimum of 2.5 times the voltage expected to appear across the capacitor as a standard for the working voltage.

Table 1. Resistor value/voltage matchup.

A laptop computer supply that has 9-V output, crowbar overvoltage protection, and operates from a 12-V supply is shown above. The supply voltage should be at least 3.6 V above the expected output voltage. Q1 should be heatsinked appropriately. R5 should have a value of 1.5 kΩ for 9-V output. Table 1 gives values for other voltages.

SUBWOOFER AMPLIFIER POWER SUPPLY

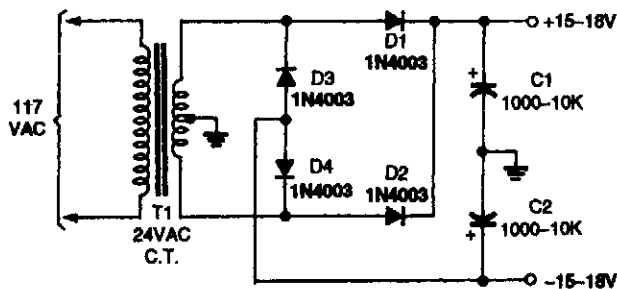


POPULAR ELECTRONICS

FIG. 78-23

Although intended to power a 100-W low-frequency amplifier, this power supply should handle many mono or stereo amplifiers in the medium power range that require ± 30 to 35 V.

DUAL VOLTAGE-RECTIFIER CIRCUIT

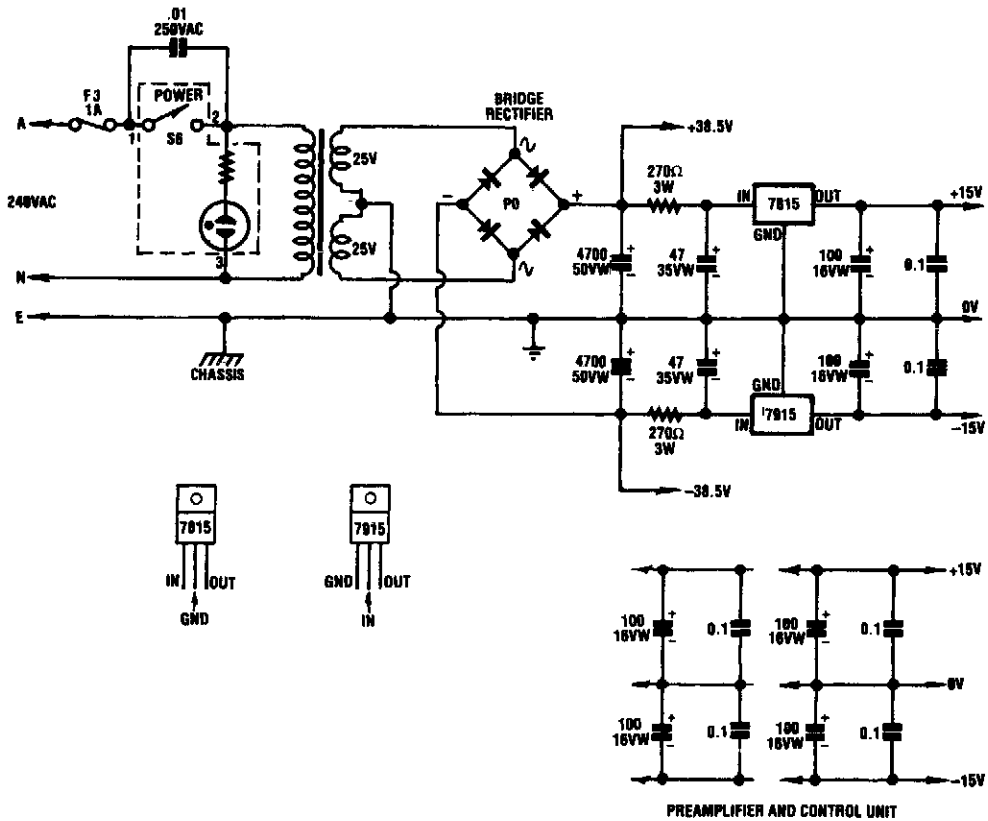


POPULAR ELECTRONICS

FIG. 78-24

This stepped-up dual voltage supply provides ± 15 to ± 18 V unregulated.

DUAL AUDIO AMPLIFIER POWER SUPPLY

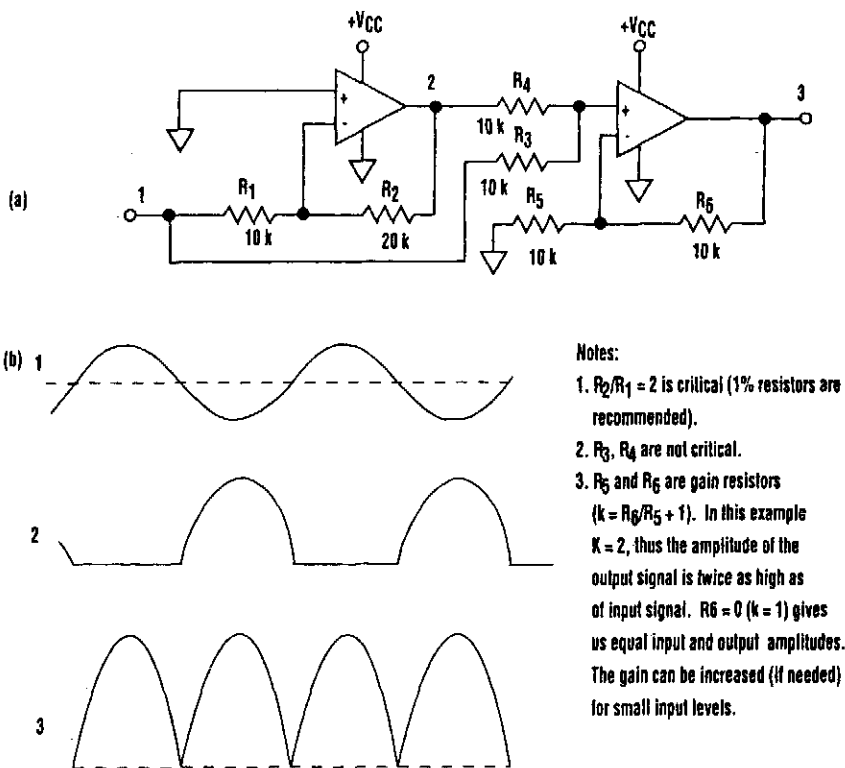


SILICON CHIP

FIG. 78-25

A dual audio amplifier that will deliver 50 W per channel is shown in the schematic. It includes preamp and tone controls, and also includes a headphone amplifier. The circuit depicts the power supply that supplies ± 38.5 V and ± 15 V regulated for the dual 50 watt.

DIODELESS RECTIFIER



ELECTRONIC DESIGN

FIG. 78-26

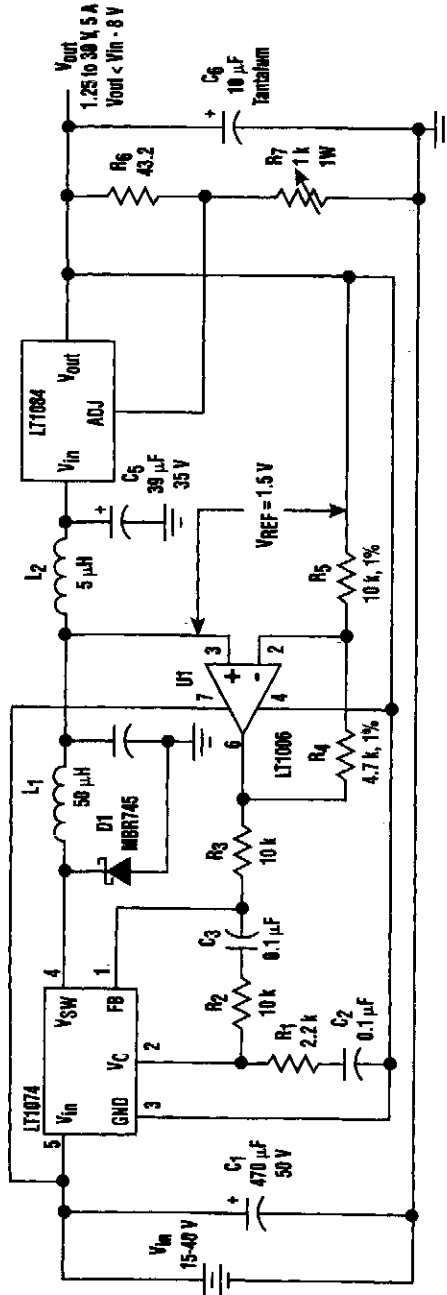
It's common knowledge that when working with single-supply op amps, implementing simple functions in a bipolar signal environment can be difficult. Sometimes additional op amps and other electronic components are required.

Taking that into consideration, can any advantage be attained from this mode? The answer lies in this simple circuit (A). Requiring no diodes, the circuit is a high-precision full-wave rectifier with a high-frequency limitation equalling that of the op amps themselves. Look at the circuit's timing diagram (B) to see the principle of operation.

The first amplifier rectifies negative input levels with an inverting gain of 2 and turns positive levels to zero. The second amp, a noninverting summing amplifier, adds the inverted negative signal from the first amplifier to the original input signal. The net result is the traditional waveform produced by full-wave rectification.

In spite of the limitation on the input signal amplitude (it must be less than $V_{CC}/2$), this circuit can be useful in a variety of setups.

REGULATOR LOSS CUTTER



$I_{out} < 1.5$ A: LT1076, LT1886
 $I_{out} < 5$ A: LT1074, LT1084

L_1 = Coiltronics CTX50-5-32
 L_2 = Coiltronics CTX5-5-FR

C_1 = Nichicon UPL1H471MRH
 C_2 = Nichicon UPL1H331MRH
 C_3 = Nichicon UPL1V330MEH

ELECTRONIC DESIGN

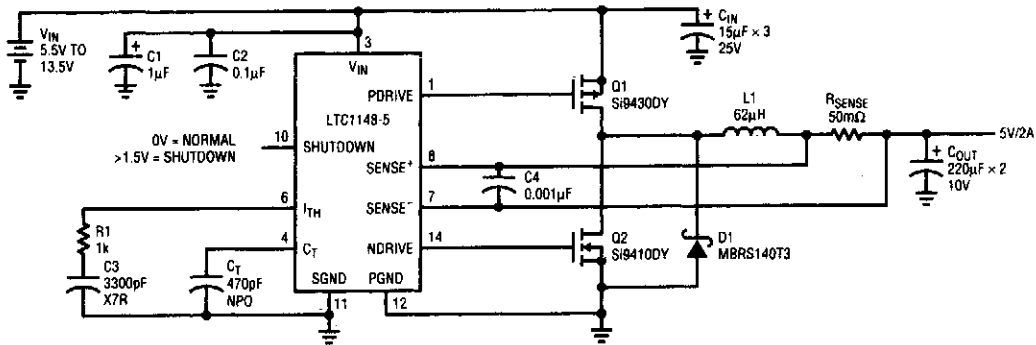
FIG. 78-27

Large input-to-output voltage differentials, caused by wide input voltage variations, reduce a linear regulator's efficiency and increase its power dissipation. A switching preregulator can reduce this power dissipation by minimizing the voltage drop across an adjustable linear regulator to a constant 1.5-V value.

The circuit operates the LT1084 at slightly above its dropout voltage. To minimize power dissipation, a low-dropout linear regulator was chosen. The LT1084 functions as a conventional adjustable linear regulator with an output voltage that can be varied from 1.25 to 30 V.

Without the preregulator (for a 40-V input and a 5-V output at 5 A), it would be virtually impossible to find a heatsink large enough to dissipate enough energy to keep the linear-regulator junction temperature below its maximum value. With the preregulator technique, however, the linear regulator will dissipate only 7.5 W under worst-case loading conditions for the entire input-voltage range of 15 to 40 V. Even under a short-circuit fault condition, the 1.5-V drop across the LT1084 is maintained.

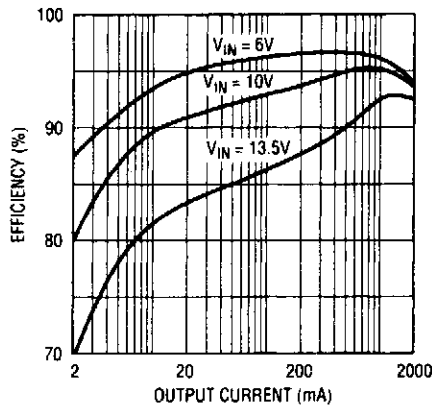
SYNCHRONOUS STEPDOWN SWITCHING REGULATOR WITH 90% EFFICIENCY



C1(TA)
 C_{IN} AVX (TA) TAJD156K025RLR, ESR = 0.3 Ω , I_{RMS} = 0.707A
 C_{OUT} AVX (TA) TAJE227K010RLR, ESR = 0.08 Ω , I_{RMS} = 1.4A
 Q1 SILICONIX PMOS, BVDS = 20V, $R_{DS(on)}$ = 0.1 Ω , C_{RSS} = 400pF, Q_G = 50nC
 Q2 SILICONIX NMOS, BVDS = 30V, $R_{DS(on)}$ = 0.05 Ω , C_{RSS} = 160pF, Q_G = 30nC

D1 MOTOROLA SCHOTTKY, VBR = 40V
 R_{SENSE} IRC LR2512-01-R050J P_D = 1W
 L1 COILTRONICS CTX62-2-MP, DCR = 0.035 Ω , MPP CORE (THROUGH HOLE)
 L1-1 COILTRONICS CTX02-11715-2, DCR = 0.11 Ω , FERRITE CORE (SURFACE MOUNT)
 ALL OTHER CAPACITORS ARE CERAMIC

A LTC1148 (5.5V-13.5V to 5V/2A) surface mount



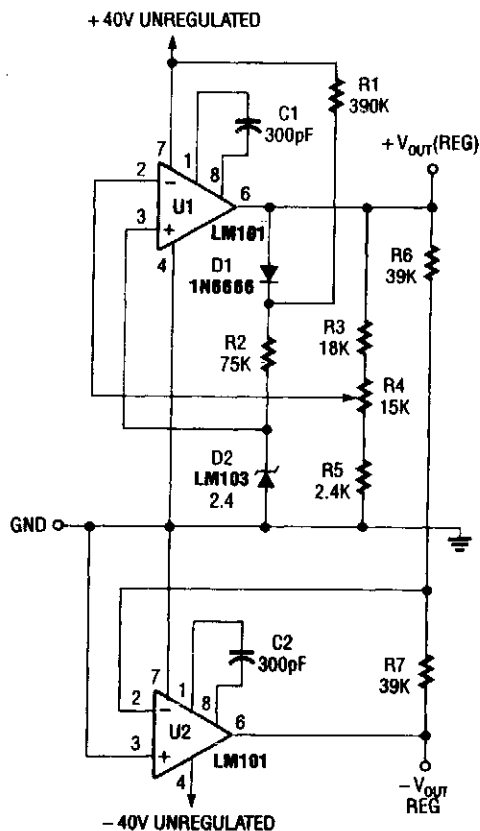
B LTC 1148-5: 5.5V to 13.5V efficiency

LINEAR TECHNOLOGY

FIG. 78-28

A shows a typical LTC1148 surface-mount application providing 5 V at 2 A from an input voltage of 5.5 V to 13.5 V. The operating efficiency, shown in B, peaks at 97% and exceeds 90% from 10 mA to 2 A with a 10-V input. Q1 and Q2 comprise the main switch and synchronous switch, respectively, and inductor current is measured via the voltage drop across the current shunt. R_{SENSE} is the key component used to set the output current capability according to the formula $I_{OUT} = 100 \text{ mV}/R_{SENSE}$. The advantages of current control include excellent line and load transient rejection, inherent short-circuit protection and controlled startup currents. Peak inductor current is limited to $150 \text{ mV}/R_{SENSE}$ or 3 A for the circuit in A.

±5- TO ±35-V TRACKING POWER SUPPLY



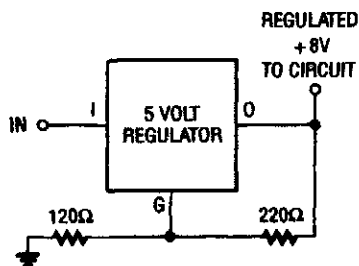
OUTPUT VOLTAGE IS VARIABLE FROM $\pm 5\text{V}$ TO $\pm 35\text{V}$.
NEGATIVE OUTPUT TRACKS POSITIVE OUTPUT TO
WITHIN THE RATIO OF R6 TO R7.

POPULAR ELECTRONICS

FIG. 78-29

This supply is designed to operate from a $\pm 40\text{-V}$ nominal unregulated power source (bridge rectifier, etc.).

8-V FROM 5-V REGULATOR

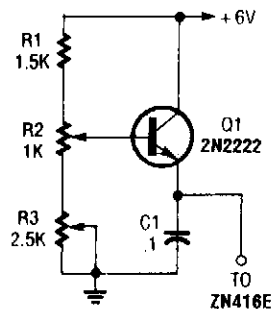


POPULAR ELECTRONICS

FIG. 78-30

If you have trouble locating an 8-V regulator, although they are commonly available, a 5-V unit can replace it by connecting the regulator, as is shown here.

+1.5-V SUPPLY FOR ZN416E CIRCUITS

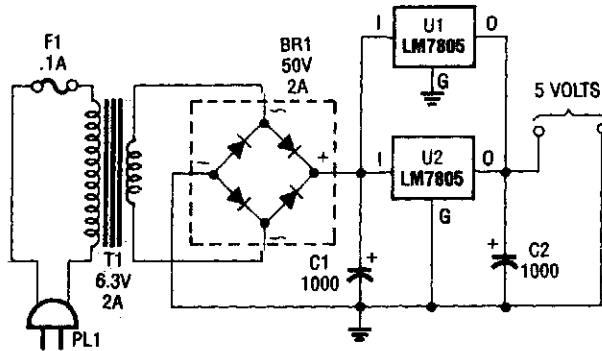


POPULAR ELECTRONICS

FIG. 78-31

This regulator can be used with a +6-V source to supply ZN416E low-voltage TRF radio-receiver IC the necessary +1.5 V. R3 sets output voltage.

ANTIQUe RADIO dc FILAMENT SUPPLY

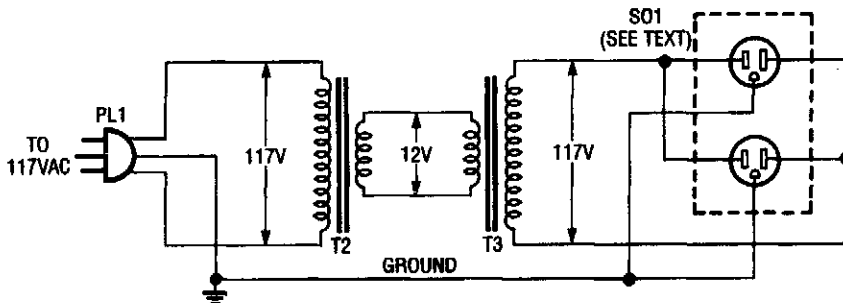


POPULAR ELECTRONICS

FIG. 78-32

This dc supply is great for operating battery-powered antique radios, because it is designed to prevent harming the tube filaments. The circuit is useful for powering filaments of 00-A, 01-A, 112A, and 71A tubes, which require 5V at 250 mA.

INEXPENSIVE ISOLATION TRANSFORMER (IMPROMPTU SETUP)

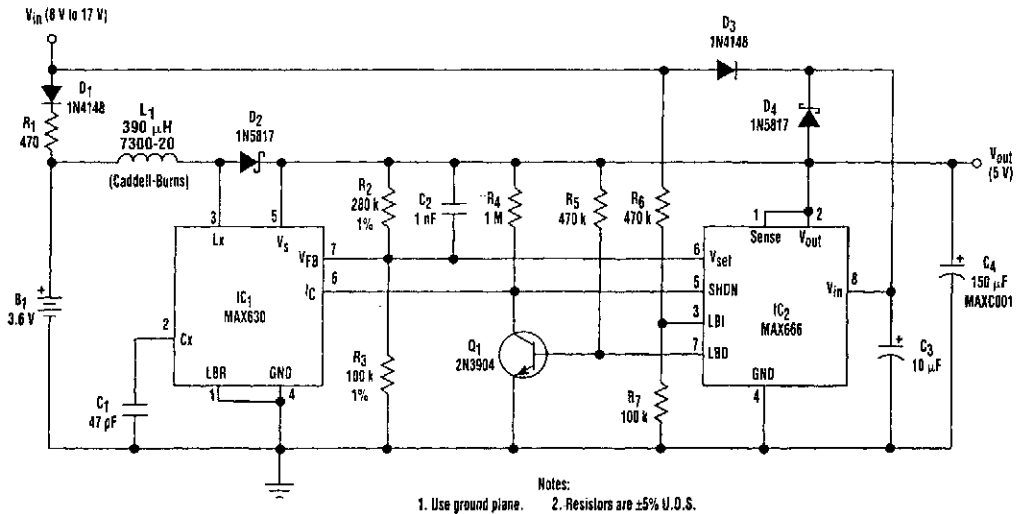


1993 ELECTRONICS HOBBYISTS HANDBOOK

FIG. 78-33

Using two 12-V filament or power transformers, an impromptu isolation transformer can be made for low-power (under 50 W) use in testing or servicing. S01 is an ordinary, duplex ac receptacle. Use heavy-wire connections between the 12-V windings because several amperes can flow.

5-V UPS



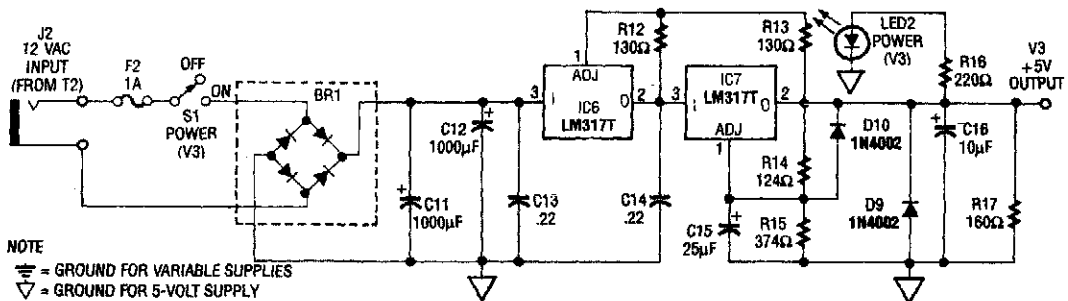
ELECTRONIC DESIGN

FIG. 78-34

A 9-V wall adapter supplies V_{IN} . IC2 contains a low-battery detector circuit that senses V_{IN} by means of R6 and R7. The detector output (pin 7) drives an inverter (Q1), which in turn drives the shut-down inputs I_C of IC1 and SHDN of IC2. These inputs have opposite-polarity active levels. The common feedback resistors, R2 and R3 enable both regulators to sense the output voltage, V_{OUT} .

When IC2 shuts down, its output turns off. However, when IC1 shuts down, the whole chip assumes a low-power state and draws under 1 μ A. L1, D2, C1, C2, R2, and R3 are part of the 250-mW switching regulator. Diodes D3 and D4 wire-OR the power connection to IC2, and C3 improves the linear regulator's load regulation.

+5-V SUPPLY

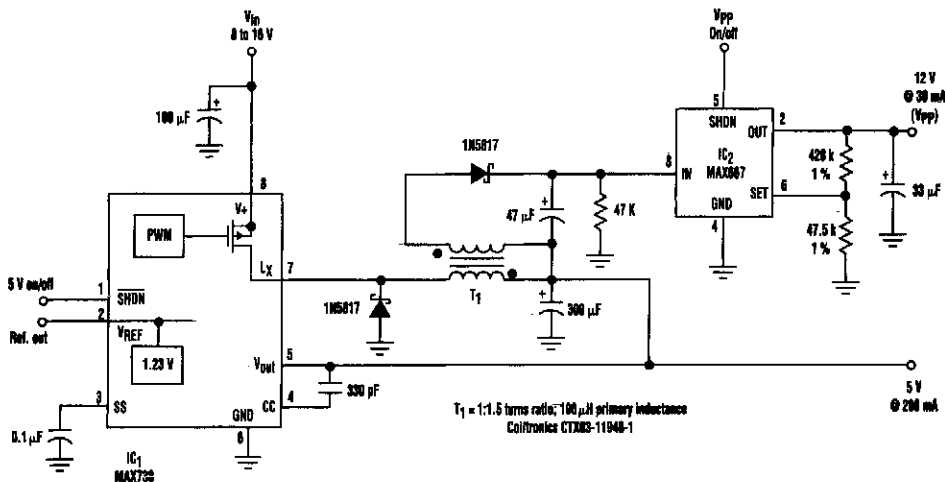


ELECTRONICS NOW

FIG. 78-35

The power supply shown is designed to operate from a wall transformer. This circuit can be used in conjunction with a variable supply to test circuits in the lab, etc. T2 is a 12-V wall transformer.

ADD 12-V OUTPUT TO 5-V BUCK REGULATOR

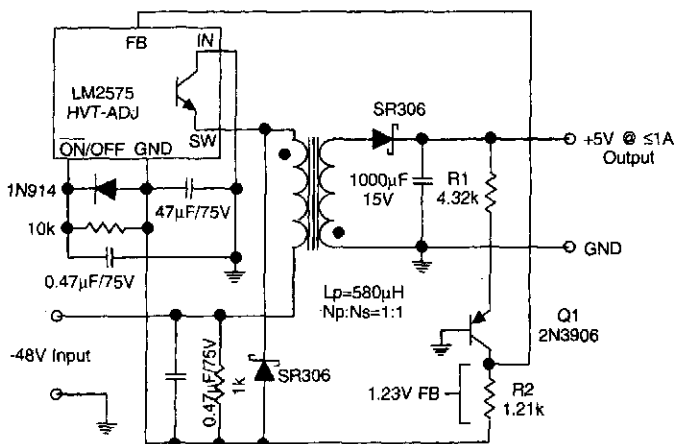


ELECTRONIC DESIGN

FIG. 78-36

By adding a flyback winding to a buck-regulator switching converter (see the figure), which is essentially a 5-V supply with a 200-mA output capability, a 12-V output (V_{pp}) can be produced. The flyback winding on the main inductor (forming transformer T_1) enables an additional low-dropout linear regulator (IC_2) to create the 12-V output voltage that's needed to program EEPROMs. The required input voltage is 8 to 16 V.

TELECOM CONVERTER -48 V TO +5 V @ 1 A



NATIONAL SEMICONDUCTOR, LINEAR EDGE

FIG. 78-37

The circuit supplies 1 A at +5 V from the -48-V supply commonly used in telephone equipment. The National Semiconductor LM2575 is a simple switching regulator.

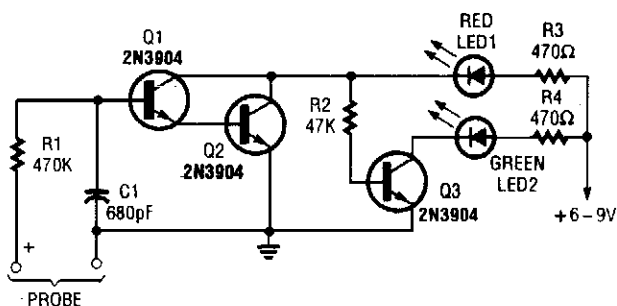
79

Probe Circuits

The sources of the following circuits are contained in the Sources section, which begins on page 675. The figure number in the box of each circuit correlates to the entry in the Sources section.

Simple Voltage Probe
ac Voltage Probe

SIMPLE VOLTAGE PROBE

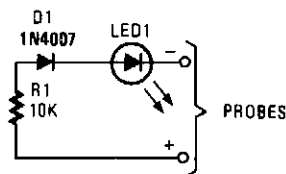


POPULAR ELECTRONICS

FIG. 79-1

This simple voltage probe can be helpful in checking and troubleshooting solid-state circuitry.

ac VOLTAGE PROBE



POPULAR ELECTRONICS

FIG. 79-2

This simple probe can save your life by warning you of live circuitry. It's ideal for times when more than one person is working on a device.

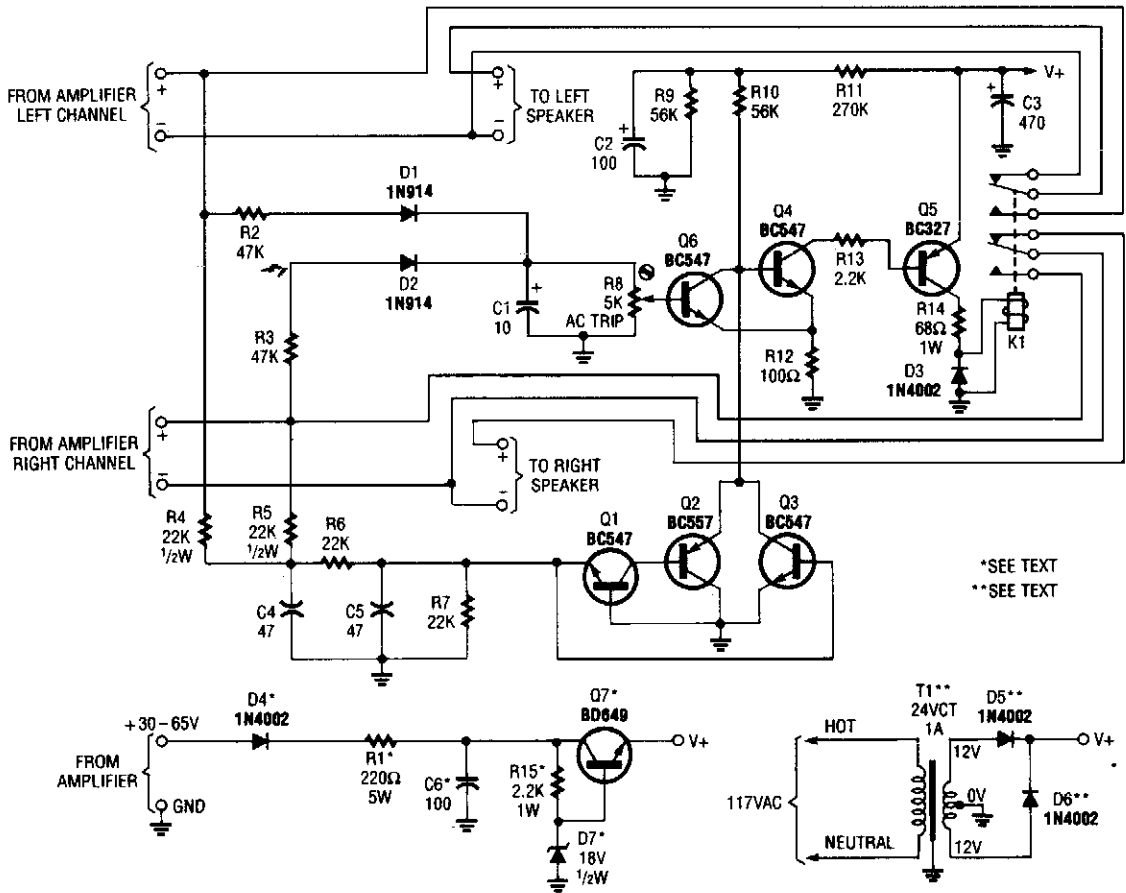
80

Protection Circuits

The sources of the following circuits are contained in the Sources section, which begins on page 675. The figure number in the box of each circuit correlates to the entry in the Sources section.

Speaker Protector	Overvoltage Protection Circuit
Electronic Fuse	Timed Safety Circuit
Safety Circuit	Modem/Fax Protector for Two Computers
Overload Indicator	Ear Protector
Relay Fuse for Power Supplies	Loudspeaker Protector
Speaker Protector	Simple Safety Circuit
Modem Protector	

SPEAKER PROTECTOR

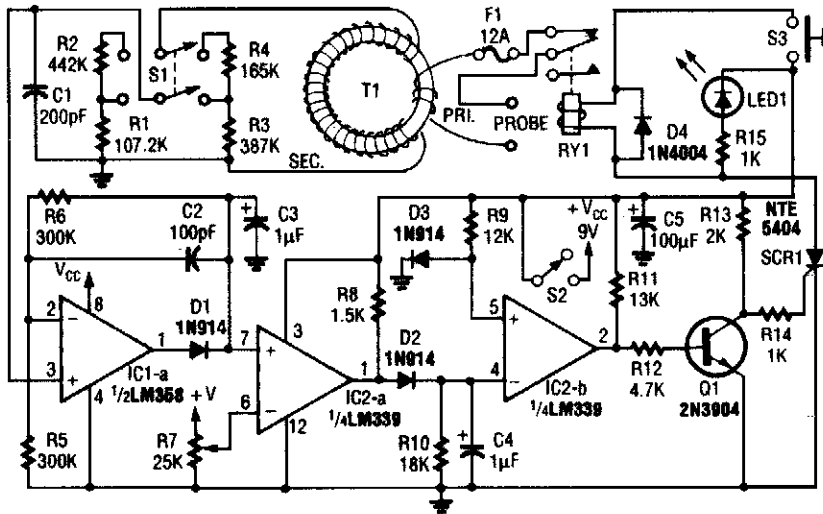


POPULAR ELECTRONICS

FIG. 80-1

Most of the transistors in this speaker protector function as switches. Normally, Q4, Q5, and K1 are on and the speakers are connected to the amplifier. However, if a large dc voltage appears at an amplifier output, either Q3, or Q1 and Q2 turn on, biasing Q4 off. That action turns Q5 off, de-energizes the relay, and disconnects the speakers from the amplifier. Components D1, D2, and Q6 form the overdrive-protection circuit.

ELECTRONIC FUSE

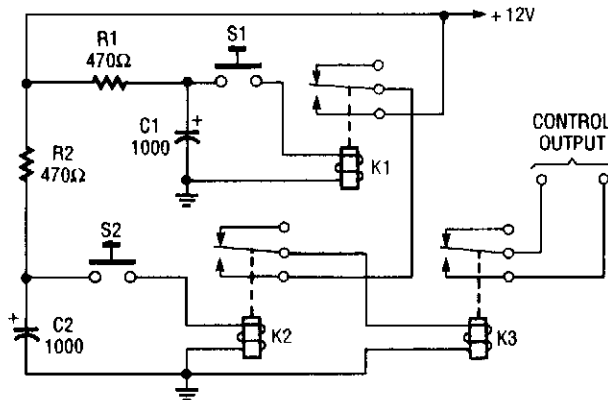


RADIO-ELECTRONICS

FIG. 80-2

Basically, this circuit is an adjustable electronic circuit breaker, containing a toroidal transformer that senses 60-Hz load current. T1 has a two-turn winding for primary, and 100 turns of #30 gauge wire for the secondary. A high-low range switch selects 0.1 to 6 A or 1 to 12 A. The primary winding of T1 carries full load current and voltage; should be suitably insulated, as should be RY1.

SAFETY CIRCUIT

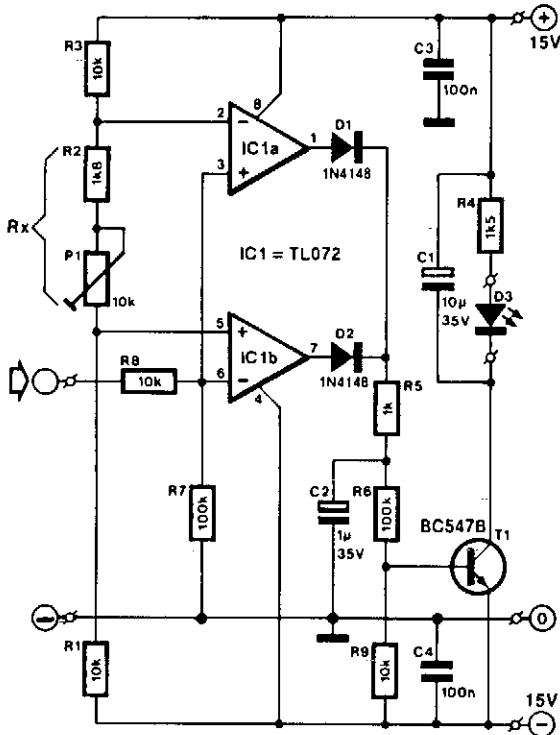


POPULAR ELECTRONICS

FIG. 80-3

Because of the finite hold-on time of delay circuits R1/C1 and R2/C2, both S1 and S2 must be pressed at the same time to power up the load.

OVERLOAD INDICATOR

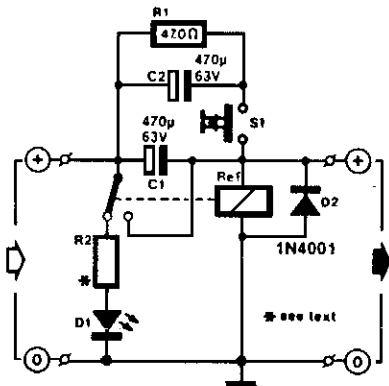


Two op amps are used as comparators to indicate excessive magnitude of an AF signal, either positive or negative, even if the signal is asymmetrical. P1 sets the reference voltage for both op amps. This circuit is useful for audio-amplifier and op-amp circuits using split power supplies.

ELEKTOR ELECTRONICS

FIG. 80-4

RELAY FUSE FOR POWER SUPPLIES

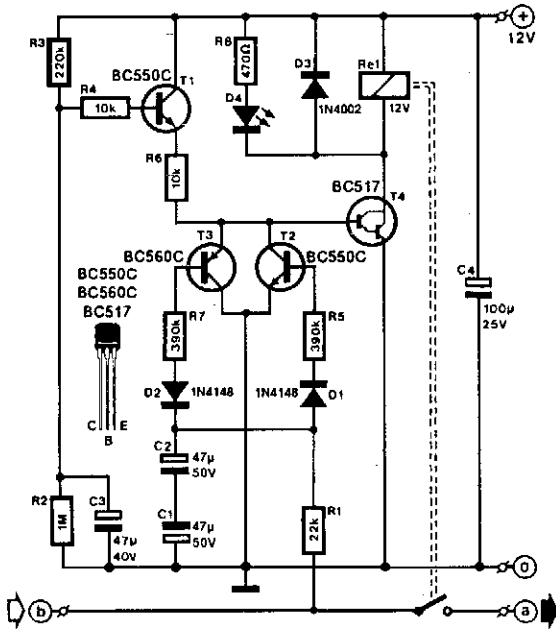


A method of adding overload protection to a power supply using a relay is shown. In each circuit, the relay must be reset by a momentary switch using a charge on capacitor C2. This prevents overload if the short still exists.

ELEKTOR ELECTRONICS

FIG. 80-5

SPEAKER PROTECTOR

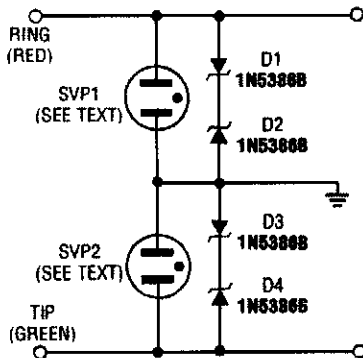


ELEKTOR ELECTRONICS

FIG. 80-6

A speaker system can be protected against amplifier failure when dc voltages (on speaker line a-b) are sensed by the circuit. Either positive or negative dc voltages are sensed. A relay opens in this case, removing the dc from the speakers. About 12 V at 50 mA is needed to power the circuit, depending on the relay.

MODEM PROTECTOR

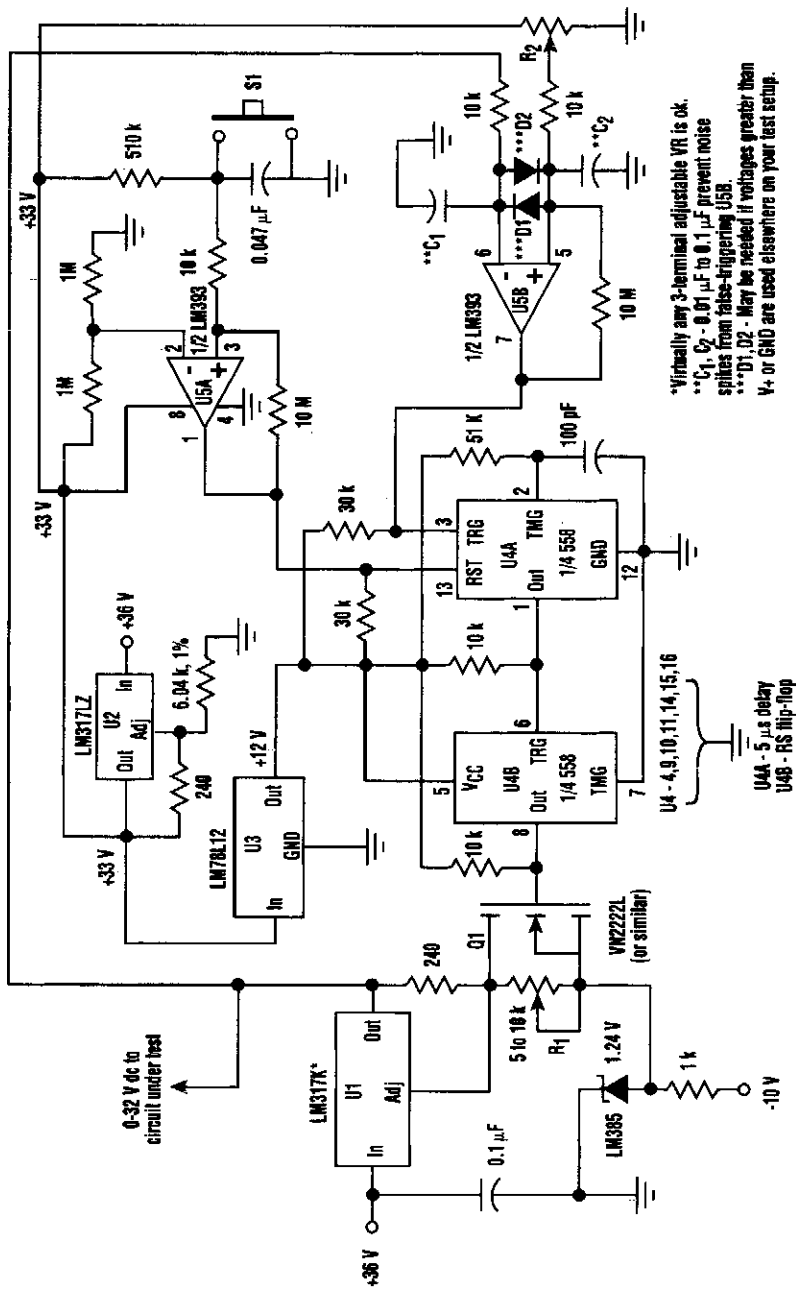


ELECTRONICS NOW

FIG. 80-7

This protector uses surge voltage protectors rated at 230-V breakdown. An effective ground should be used.

OVERVOLTAGE PROTECTION CIRCUIT

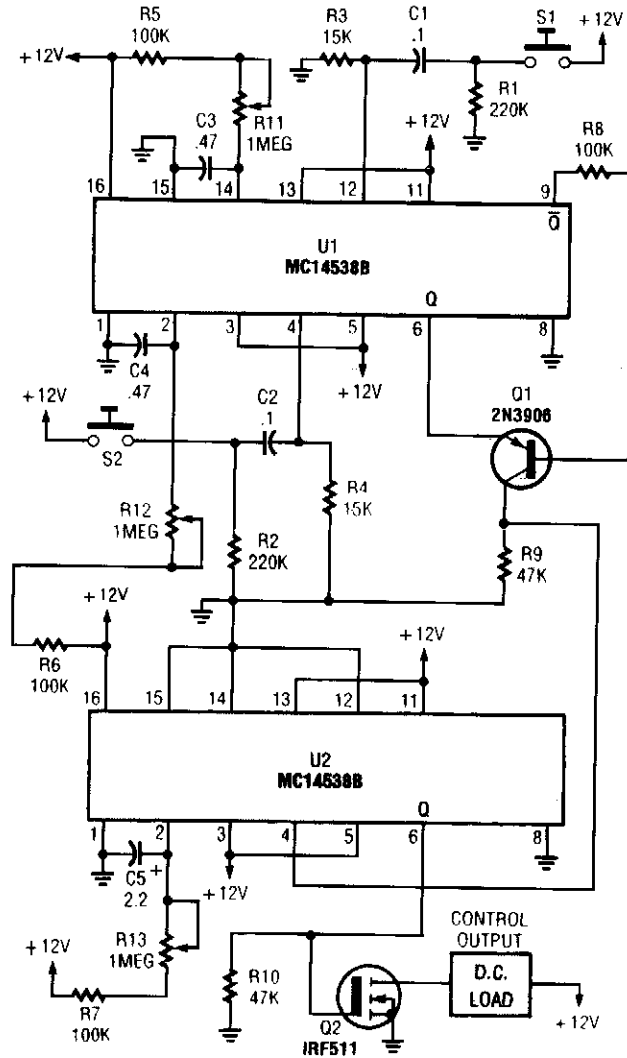


ELECTRONIC DESIGN

FIG. 80-8

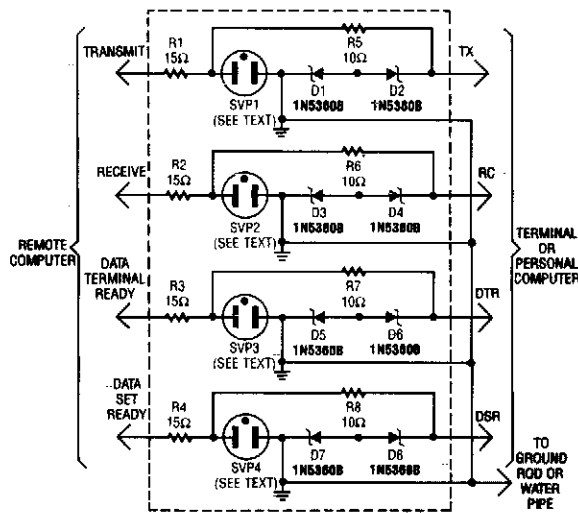
When testing a circuit, a source of voltage that is variable and has overvoltage shutdown is very useful. In this circuit, R1 is adjusted to 1 to 2 V below the eventual shutdown threshold. R2 sets the trip voltage. When this voltage is reached, the circuit shuts the voltage to the circuit under test down. To reset, reduce R1 below trip threshold and depress reset switch S1.

TIMED SAFETY CIRCUIT



When S1 is closed, pin 9 of U1 goes low, turning on Q1 for a preset period. If S2 is closed during this period, Q2 is turned on for a preset period. R11 and R13 set the two time periods.

MODEM/FAX PROTECTOR FOR TWO COMPUTERS



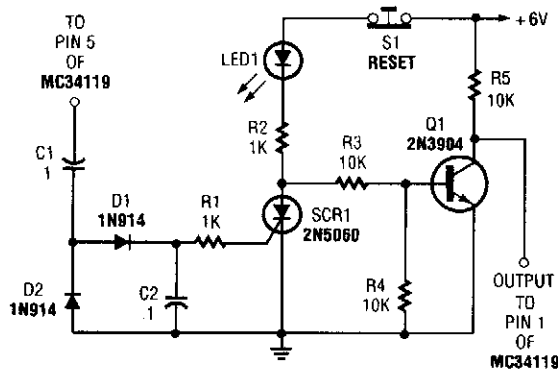
VARIAION OF THE MODEM/FAX PROTECTOR for use in telephone line connections between PC or terminal and larger distant computer.

ELECTRONICS NOW

FIG. 80-10

This modem/fax protector can be used in telephone-line connections between a PC or a terminal and a distant computer. In this circuit, the SVPs (surge voltage protectors) are rated at 230 V. A good ground is a must for effective operation.

EAR PROTECTOR

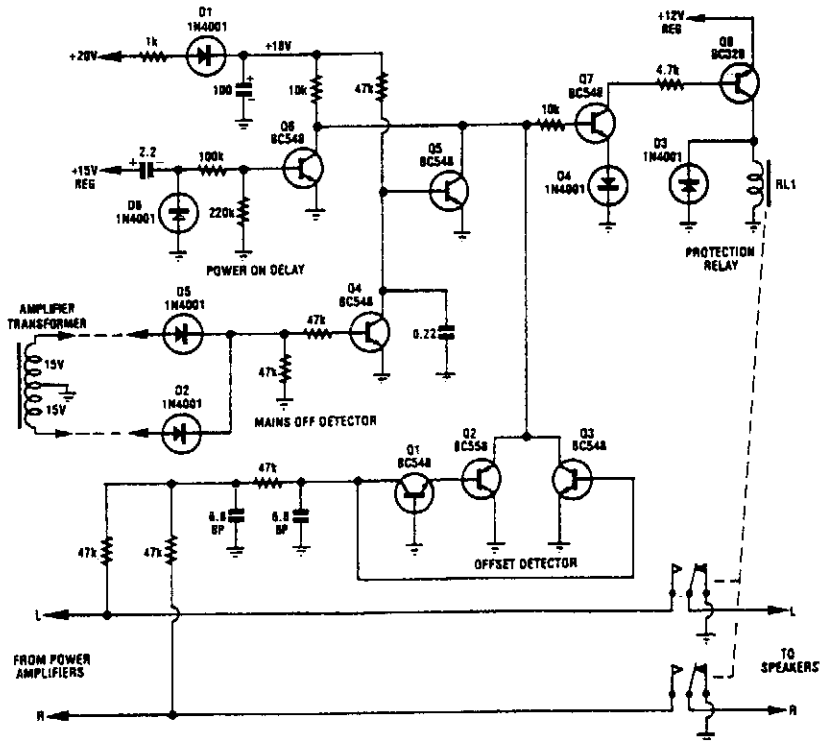


POPULAR ELECTRONICS

FIG. 80-11

The ear protector is actually a peak audio-detector/shutdown circuit that disables the amplifier through its chip-disable input when the output volume of an amplifier reaches the set level. The circuit, although intended for the MC34119 amplifier, should work with similar IC devices or applications.

LOUDSPEAKER PROTECTOR

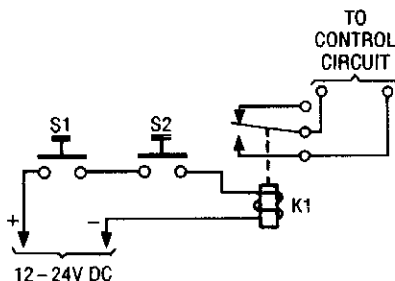


SILICON CHIP

FIG. 80-12

Transistors Q1, Q2, and Q3 monitor the two outputs of the stereo amplifier. If the offsets exceed ± 2 V, Q7 is turned off, which turns off Q8 and the normally on relay. Diodes D2 and D5, together with Q4, provide a mains voltage monitor. As soon as the ac input voltage disappears, as when the amplifier is turned off, Q4 turns off and Q5 turns on. This turns off Q7, Q8, and the relay. Hence, the loudspeakers are disconnected immediately after the amplifier is turned off.

SIMPLE SAFETY CIRCUIT



The simple two-hand safety-control switch shown here is little more than two pushbutton switches connected in series; both must be depressed in order to energize the relay.

POPULAR ELECTRONICS

FIG. 80-13

81

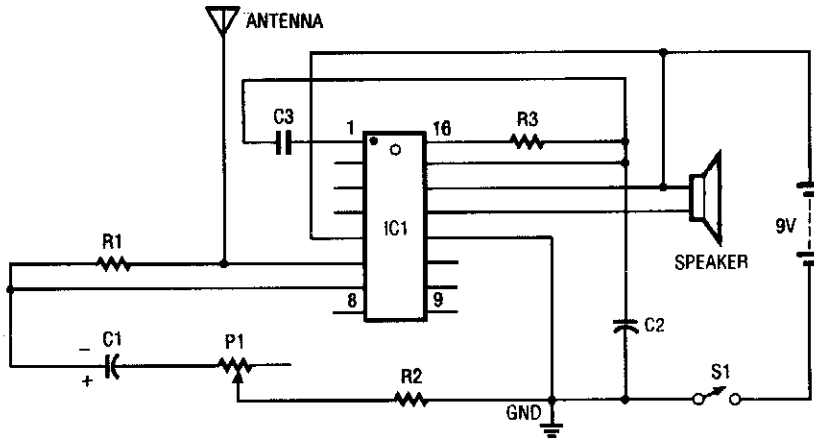
Proximity Circuits

The sources of the following circuits are contained in the Sources section, which begins on page 675. The figure number in the box of each circuit correlates to the entry in the Sources section.

Proximity Alarm I

Proximity Alarm II

PROXIMITY ALARM I



1991 PE HOBBYIST HANDBOOK

FIG. 81-1

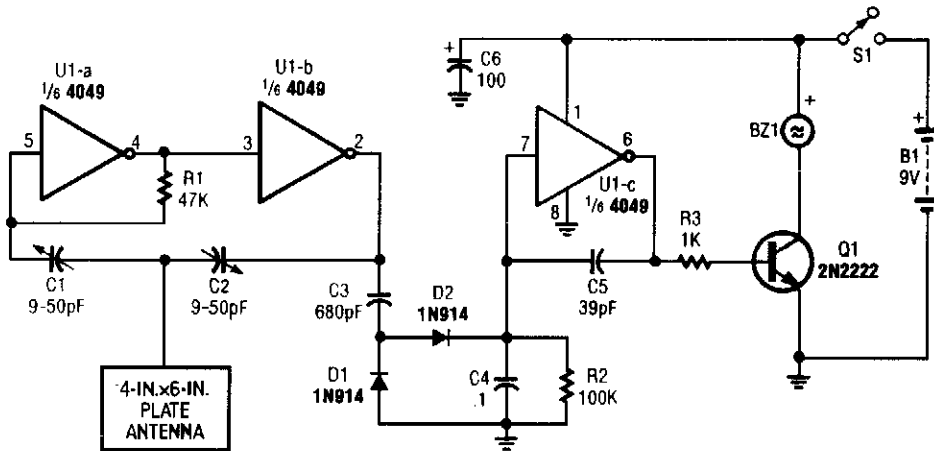
IC1 contains several oscillators and an amplifier. The low-frequency audio-signal oscillator is used to supply an input to the amplifier. That signal is the audio tone that is amplified, then supplied to the speaker by the amplifier.

The high-frequency oscillator is purposely set to be very unstable. It is dormant or "off" until the resistor-capacitor (RC) network is changed. The resistance (R) in this case is made up of R_2 and P_1 . As the resistance of P_1 is decreased, the unit becomes more sensitive (more unstable), and less capacitance (C) is needed to cause the oscillator to oscillate.

The capacitance required is provided by C_2 and by any capacitance introduced via the antenna loop. When you come near that loop, your inherent body capacitance causes the high-frequency oscillator to begin to oscillate, which then causes the low-frequency oscillator to be "switched on" internally. Once the alarm is sounding, the IC is designed so that it "latches", that is, it stays on until the power to it is switched off.

C1	1- μ F Axial Capacitor
C2	27-pF Silver Mica Capacitor
C3	0.1- μ F Mylar Capacitor
IC1	CM1001N IC
P1	50-k Ω Trimmer Resistor
R1	75-k Ω Resistor
R2	200- Ω Resistor
R3	100-k Ω Resistor
S1	SPDT Switch
Spk	Small Speaker
Misc	IC Socket, Battery Snap, Ground Plate, Wire, PC Board

PROXIMITY ALARM II



POPULAR ELECTRONICS

FIG. 81-2

A CMOS logic gate is used to make up this circuit. When an object is near the antenna, the change in oscillator output is detected by D1 and D2 and amplified by U1C, which drives Q1, sounding alarm BZ1.

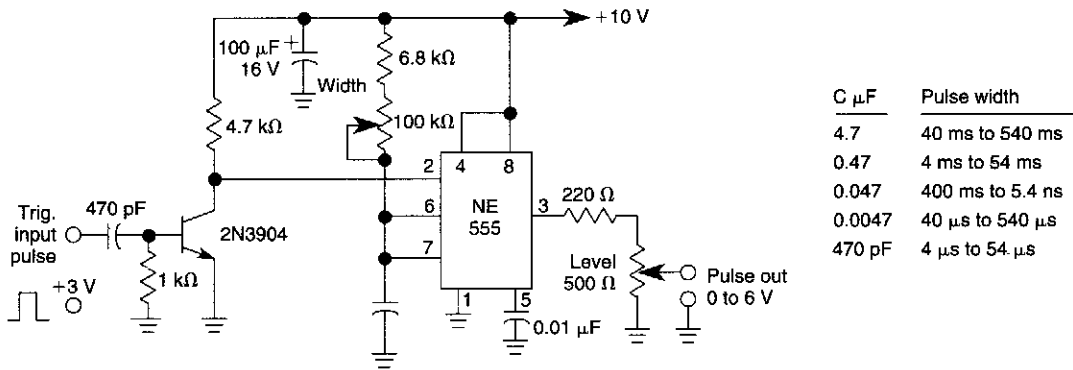
82

Pulse-Generator Circuits

The sources of the following circuits are contained in the Sources section, which begins on page 675. The figure number in the box of each circuit correlates to the entry in the Sources section.

- Add-On Pulse Generator
- Pulse Generator
- Logic Pulser
- Precise One-Shot
- Digitally Controlled Sawtooth Pulse Generator
- Delayed Pulse Generator
- Pulse Generator with Variable Duty Cycle

ADD-ON PULSE GENERATOR



WILLIAM SHEETS

FIG. 82-1

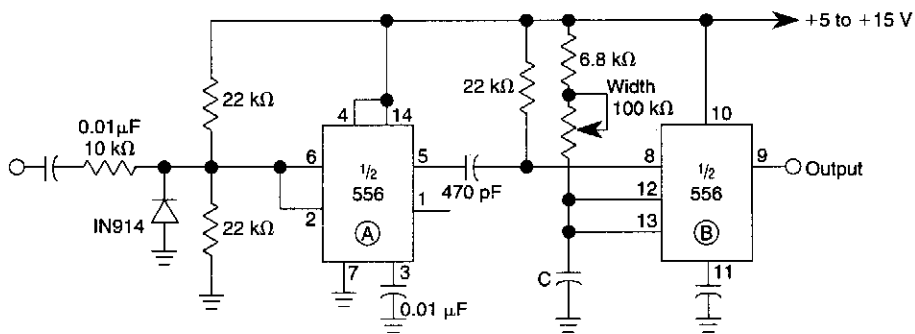
This pulse generator can supplement a standalone pulse generator. Using a transistor and a 555 timer, pulse widths of $<5 \mu\text{s}$ to $500 \mu\text{s}$ can be produced. The value of C_3 is approximately found from the formula:

$$C_3 \mu\text{F} \approx 1.1 \times 10^{-5} T \quad \text{where } T \text{ is the shortest pulse width } (\mu\text{s}) \text{ desired in a 10:1 range}$$

(T should be greater than $5 \mu\text{s}$)

The capacitor values and consequent pulse width range are shown.

PULSE GENERATOR



$$\text{Pulsewidth } T \approx 1.1 RC$$

$$\text{In this circuit } T \approx 7.4 \times 10^{-3} C_{\mu\text{F}} \text{ to } 0.117 \times C_{\mu\text{F}} \text{ seconds}$$

$$\text{with } C = 0.1 \mu\text{F} \quad T = 740 \mu\text{s to } 11.7 \text{ ms}$$

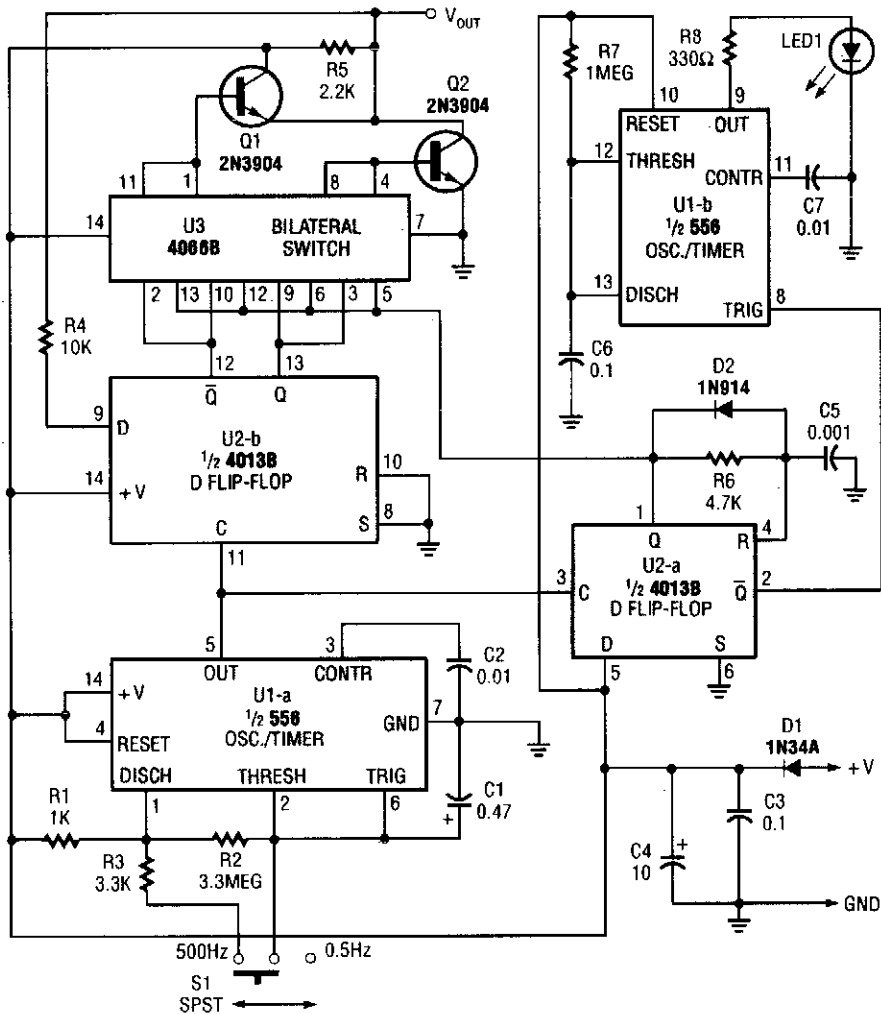
WILLIAM SHEETS

FIG. 82-2

By using a 556 dual timer with IC1A acting as a waveshaper and IC1B as a pulse generator, a 10:1 range of pulse widths can be generated.

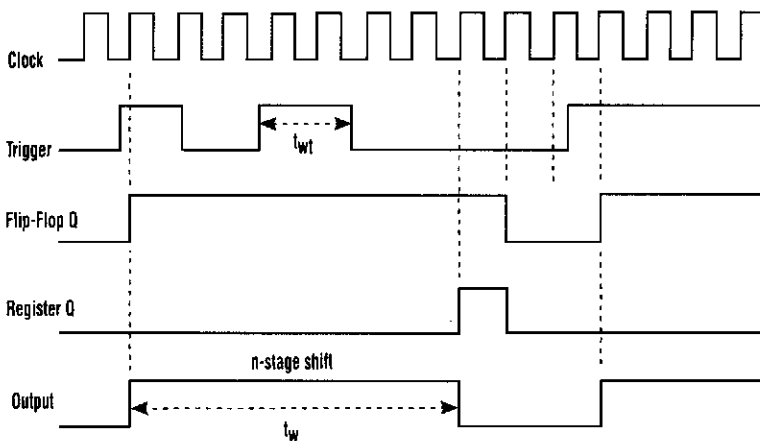
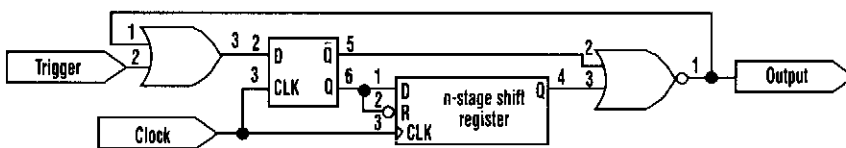
A sine wave can be used to trigger this circuit.

LOGIC PULSER

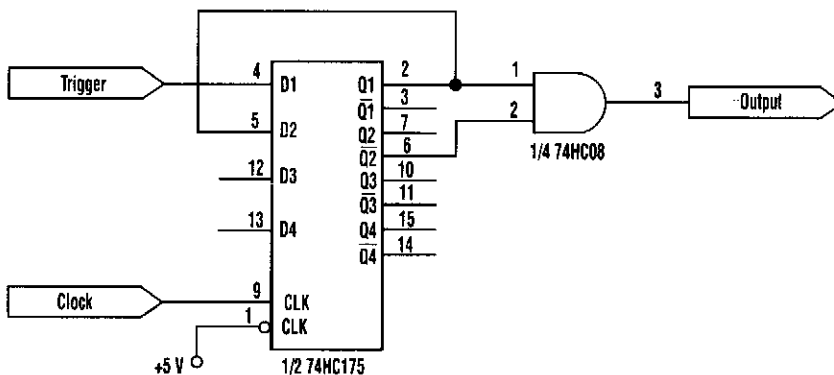


The logic pulser generates pulses at 500 Hz or 0.5 Hz. When the pulser's tip connects to an input that is already being driven high or low, the pulser senses the logic state and automatically pulses the input briefly to the opposite state.

PRECISE ONE-SHOT



A more precise and stable one-shot pulse is generated by this circuit (a). When a trigger pulse is present, the flip-flop initiates a one-shot pulse whose width is a multiple of the clock period (b).



This simple one-shot circuit has a pulse width of one clock period and is more precise and stable than a multivibrator.

PRECISE ONE-SHOT (Cont.)

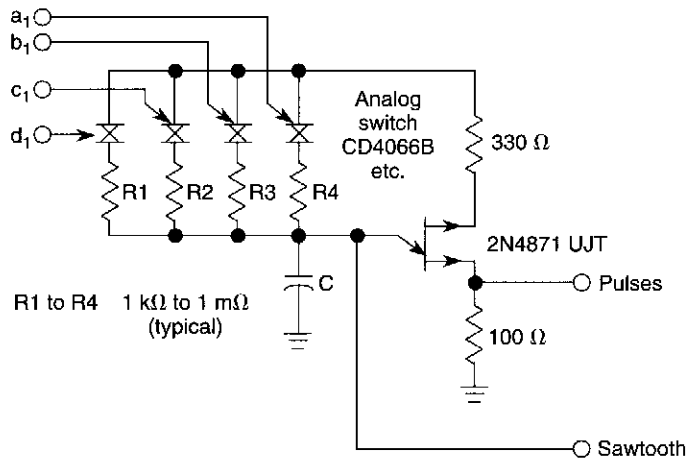
This approach uses a flip-flop, a shift register, and two gates (A). Before the one-shot pulse, the output of the NOR gate is 0. Consequently, the data input of the D-type flip-flop is equivalent to the trigger. When a trigger pulse is present, the flip-flop initiates the one-shot pulse, and the n-stage shift register controls the pulse width, t_w , which is a multiple of the clock's period (B).

The precision of the one-shot pulse is determined by the clock period, which is inversely proportional to its frequency. For the circuit to work properly, the width of the trigger pulse, t_w , should be greater than one clock period.

The OR gate masks the trigger's effect when the circuit is generating the desired pulse. The net result is a circuit that functions as a nonretriggerable multivibrator.

When the pulse needs to be only one-clock-period wide, the circuit can be simplified. All that's required are two D-type flip-flops and an AND gate. However, despite its simplicity, this circuit generates a more stable and precise one-shot pulse than a multivibrator.

DIGITALLY CONTROLLED SAWTOOTH PULSE GENERATOR

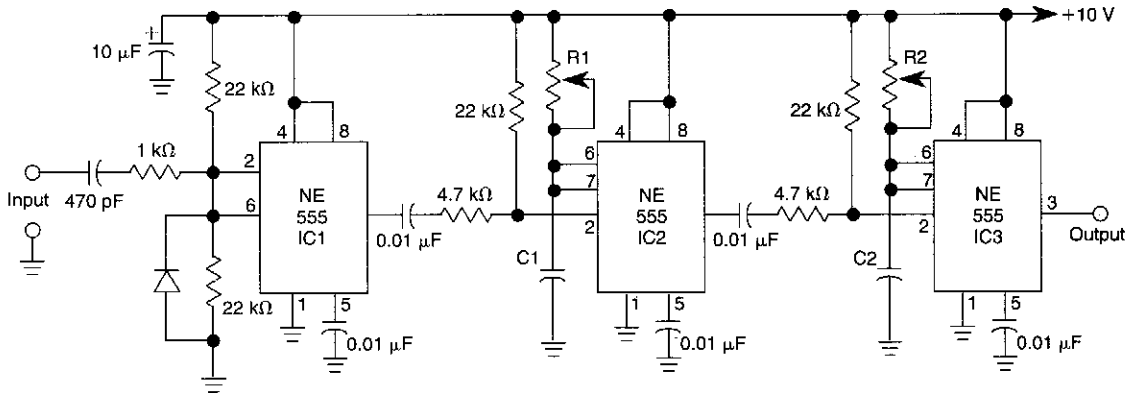


WILLIAM SHEETS

FIG. 82-5

Use of an analog switch as shown allows digital control of a UJT oscillator.

DELAYED PULSE GENERATOR



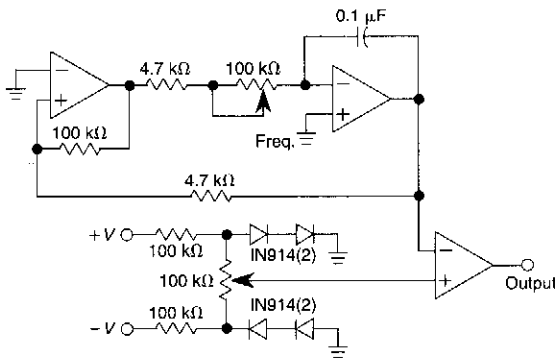
WILLIAM SHEETS

FIG. 82-6

Three 555 IC timers are used in this circuit to construct a simple delayed-pulse generator. IC1 acts as a waveform shaper to produce a rectangular waveform. IC2 produces a delaying pulse to trigger IC3 on the trailing edge of the delaying pulse. R1 controls delay time and R2 controls pulse width. As much as a 10:1 range can be generated.

$$\begin{aligned} \text{Delay: } & C1 = 1.1 \times 10^{-5} T \text{ delay} \quad \text{c } \mu\text{F} \\ \text{Pulse: } & C2 = 1.1 \times 10^{-5} T \text{ pulse} \quad \text{T } \mu\text{sec} \end{aligned}$$

PULSE GENERATOR WITH VARIABLE DUTY CYCLE



WILLIAM SHEETS

FIG. 82-7

Using only one IC and six passive components, this pulse generator has a frequency range of 400 to 4000 Hz and an adjustable duty cycle of 1 to 99%. A threshold detector (ICA) and an integrator (ICB) generate a triangular waveform. A

positive voltage at the output of ICA causes the output of ICB to become a negative-going ramp. When the output of this ramp reaches a certain value, ICA, by virtue of its positive-feedback network, changes state; its output becomes negative, and the integrator generates positive ramp. This process continually repeats. A voltage follower (ICC) and a 100-kΩ potentiometer provide a variable ± 0.18 -V reference voltage. This reference voltage, along with the triangular waveform, feeds into the positive and negative inputs, respectively, of comparator ICD. You can set the comparator's trip voltage at any point on the triangular waveform; ICD's output changes at that point. Varying the reference voltage alters the duty cycle of the comparator's output by adjusting the potentiometer at the negative input of the integrator, thereby varying the integration time without altering the duty cycle.

83

Receiver Circuits

The sources of the following circuits are contained in the Sources section, which begins on page 675. The figure number in the box of each circuit correlates to the entry in the Sources section.

Simple Direct-Conversion
Receiver for 160 to 20 M
27.145-MHz NBFM Receiver
VLF Whistler Receiver
Basic AM Receiver Circuit
Simple 1.5-V AM Broadcast Receiver
CMOS Line Receiver

NE602 Direct-Conversion Receiver
80- and 40-M CW/SSB Receiver
NE602 RF Input Circuits
Super-Simple Shortwave Receiver
Transistorized AM Radio
NE602 Superhet Front End

SIMPLE DIRECT-CONVERSION RECEIVER FOR 160 TO 20 M

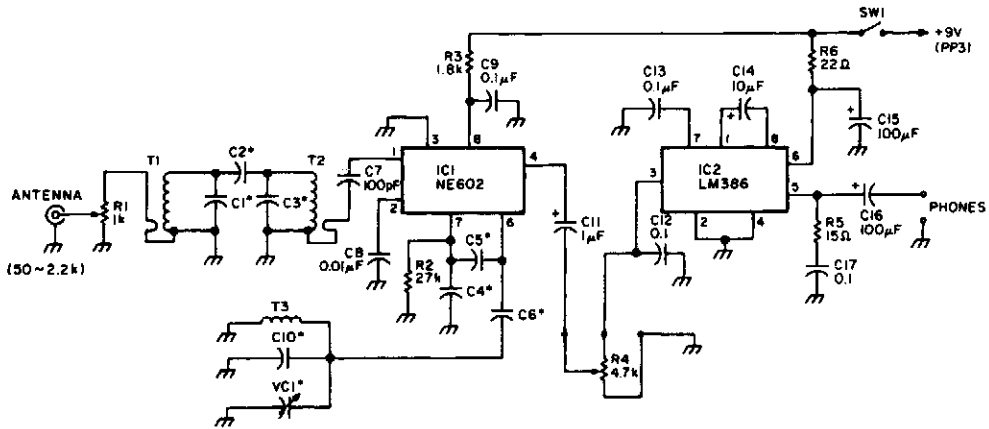


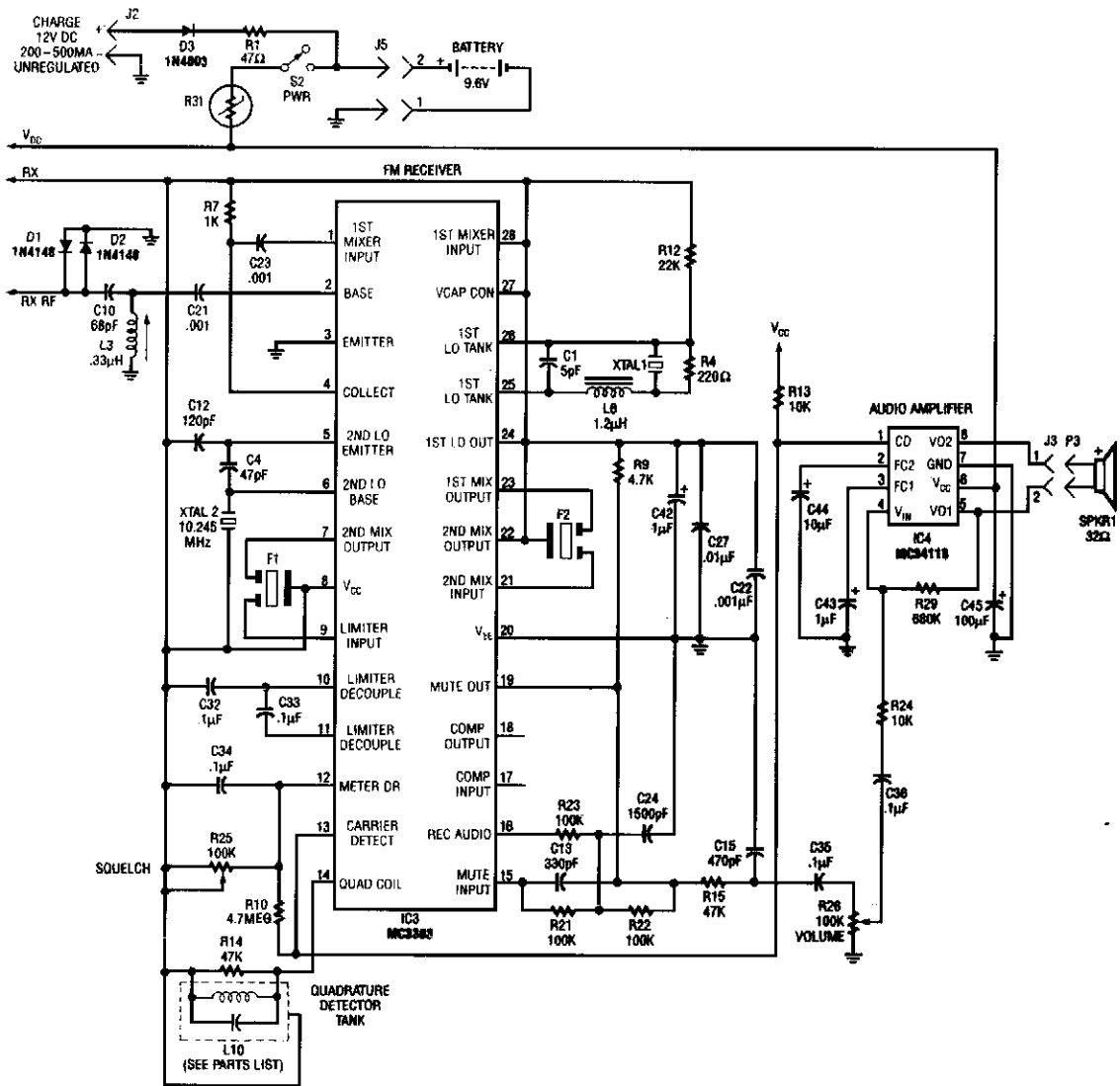
Table. Component Values for Different Bands

Band	C1	C2	C3	T1	T2
160	220 pF	10 pF	220 pF	BKXN-K3333R	BKXN-K3333R
80	47 pF	3 pF	47 pF	BKXN-K3333R	BKXN-K3333R
40	100 pF	8.2 pF	100 pF	BKXN-K3334R	BKXN-K3334R
30	47 pF	3 pF	47 pF	BKXN-K3334R	BKXN-K3334R
20	100 pF	3 pF	100 pF	BKXN-K3335R	BKXN-K3335R

VC1 + C10	C4	C5	C6	T3
All Sections +	100 pF	0.001 μF	0.001 μF	560 pF
All Sections +	100 pF	0.001 μF	0.001 μF	560 pF
1 Section +	47 pF	560 pF	560 pF	270 pF
1 Section +	68 pF	680 pF	680 pF	220 pF
1 Section +	68 pF	220 pF	220 pF	68 pF

Note that T1 and T2 are TOKO, including part numbers for the coils T1 and T2. The direct-conversion receiver shown uses a double-tuned input network made from readily available TOKO coils. IC1, an NE602, acts as a VFO and mixer, with the output being an IF frequency in the audio range. IC2 is an audio amplifier, R4 is a volume control.

27.145-MHz NBFM RECEIVER

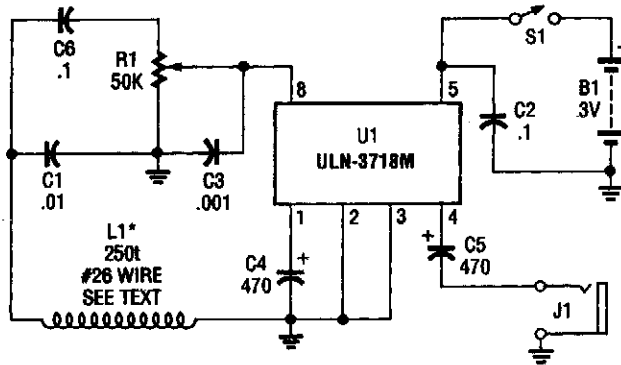


ELECTRONICS NOW

FIG. 83-2

Using a Motorola MC3363 LSI one-chip FM receiver, the circuit is a dual-conversion FM receiver with a 10.7-MHz IF chain. IC4 provides power to drive a small speaker.

VLF WHISTLER RECEIVER

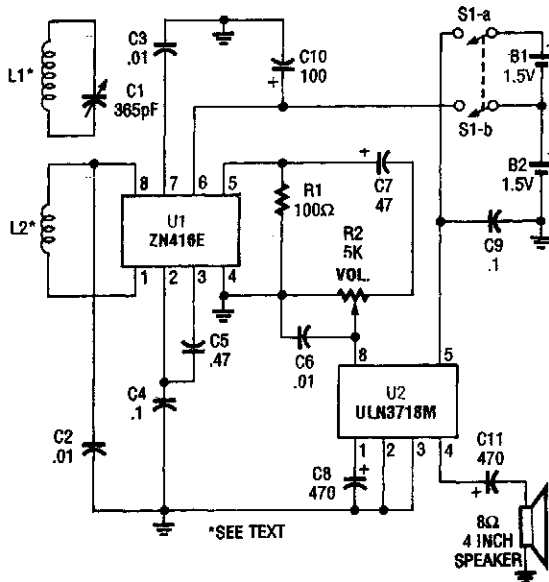


POPULAR ELECTRONICS

FIG. 83-3

The VLF whistler receiver is intended to listen to natural radio noise and signals that occur below 20 kHz. L1 is a large loop antenna that is 250 to 300 turns #26 gauge wire on a form 3' diameter. L1 should be mounted well away from power lines and is oriented for minimum 60- and 120-Hz pickup.

BASIC AM RECEIVER CIRCUIT

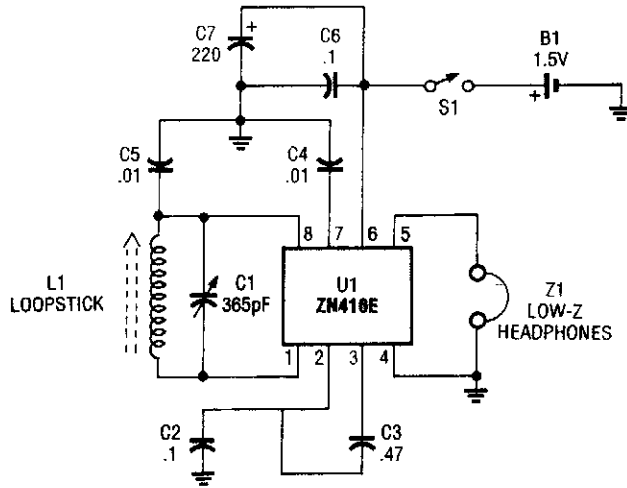


POPULAR ELECTRONICS

FIG. 83-4

Using a single ZN416E IC and a ULN3718M, this simple TRF receiver can drive a loudspeaker. Two 1.5-V cells power the circuit.

SIMPLE 1.5-V AM BROADCAST RECEIVER

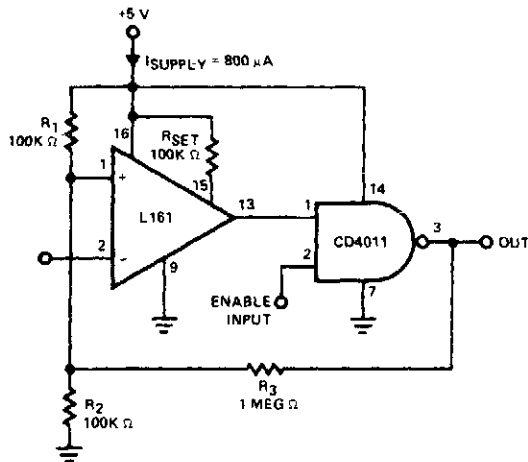


POPULAR ELECTRONICS

FIG. 83-5

This receiver uses the ZN416E made by GEC Plessey. The tuning is via C1.

CMOS LINE RECEIVER



INTEGRATED CIRCUITS DATA BOOK

FIG. 83-6

This circuit will interface a line input to CMOS. The supply current is >1 mA at +5 V.

NE602 DIRECT-CONVERSION RECEIVER

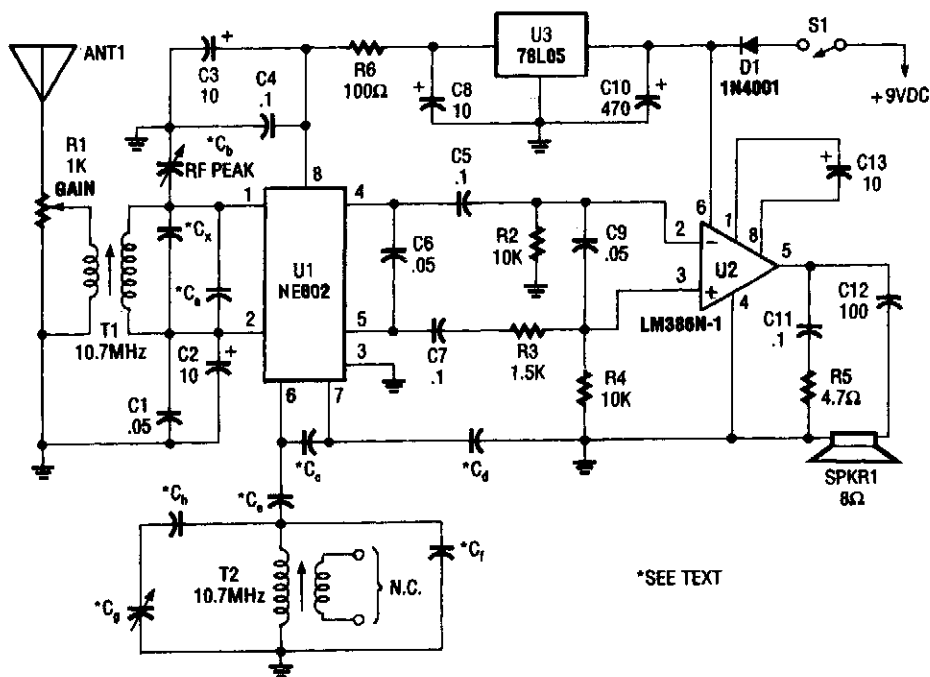
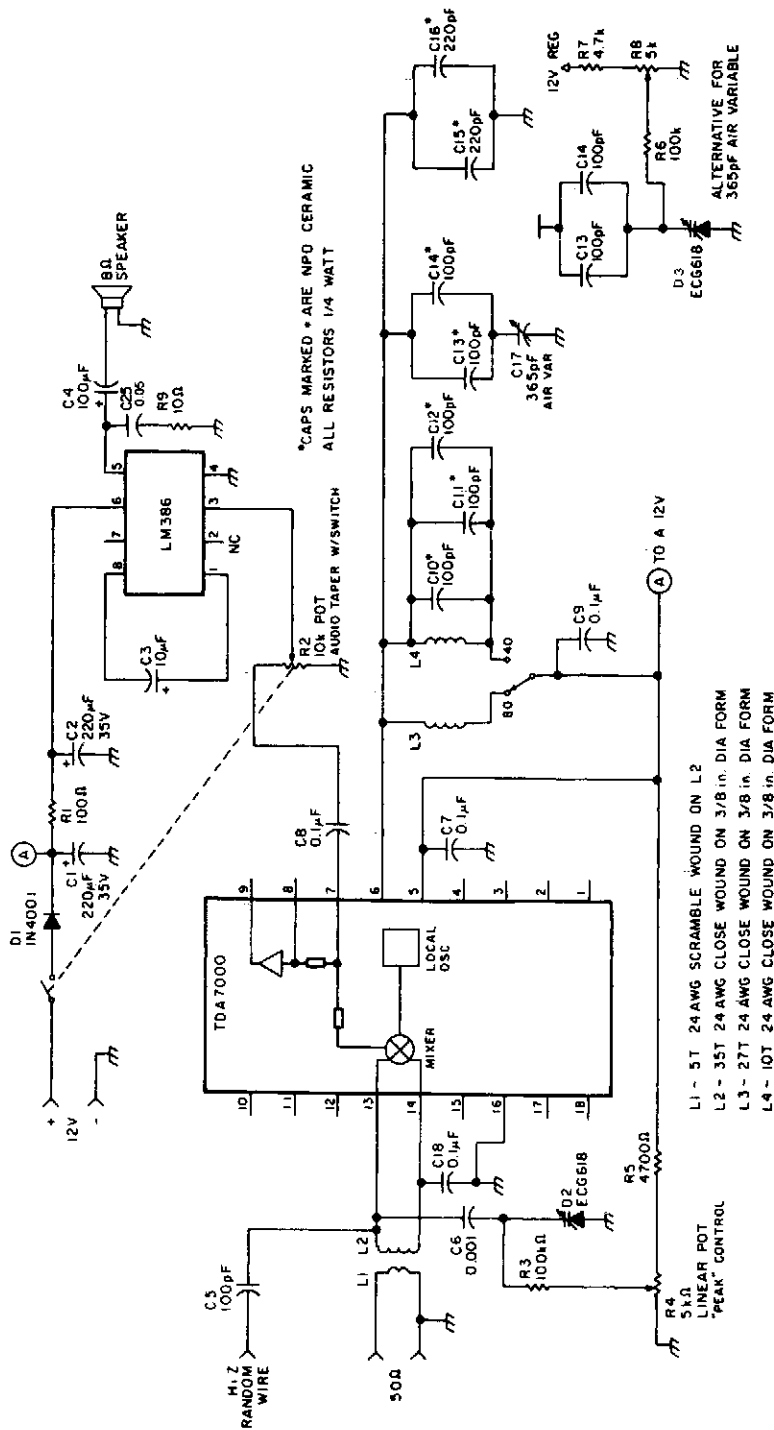


Table 1-- CAPACITOR SELECTION

Band (meters)	Capacitor values (picofarads)					
	Cc	Cd	Ce	Cf	Cg	Ch
75/80	1000	1000	470	120	365	270
40	330	330	120	150	365	68

An NEC602 is used as a mixer with a zero IF frequency output. U2 acts as an audio amplifier. This receiver is primarily for SSB and CW signals. T1 and T2 are 10.7-MHz IF coils used in AM/FM transistorized radios, etc. or in any similar indicator.

80- AND 40-M CW/SSB RECEIVER

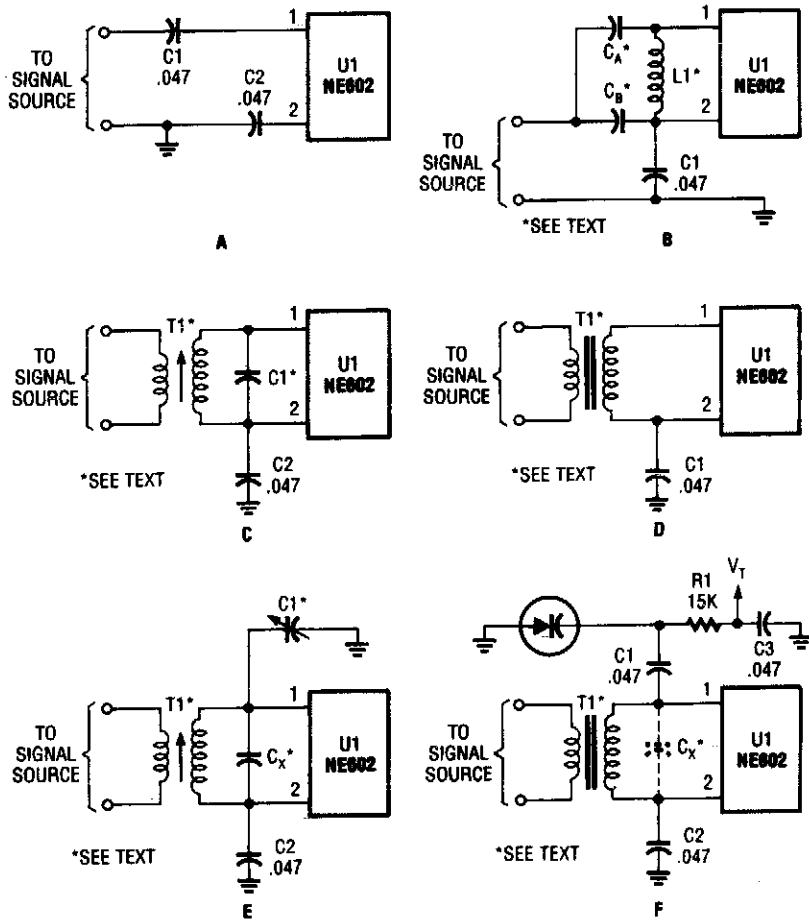


73 AMATEUR RADIO TODAY

FIG. 83-8

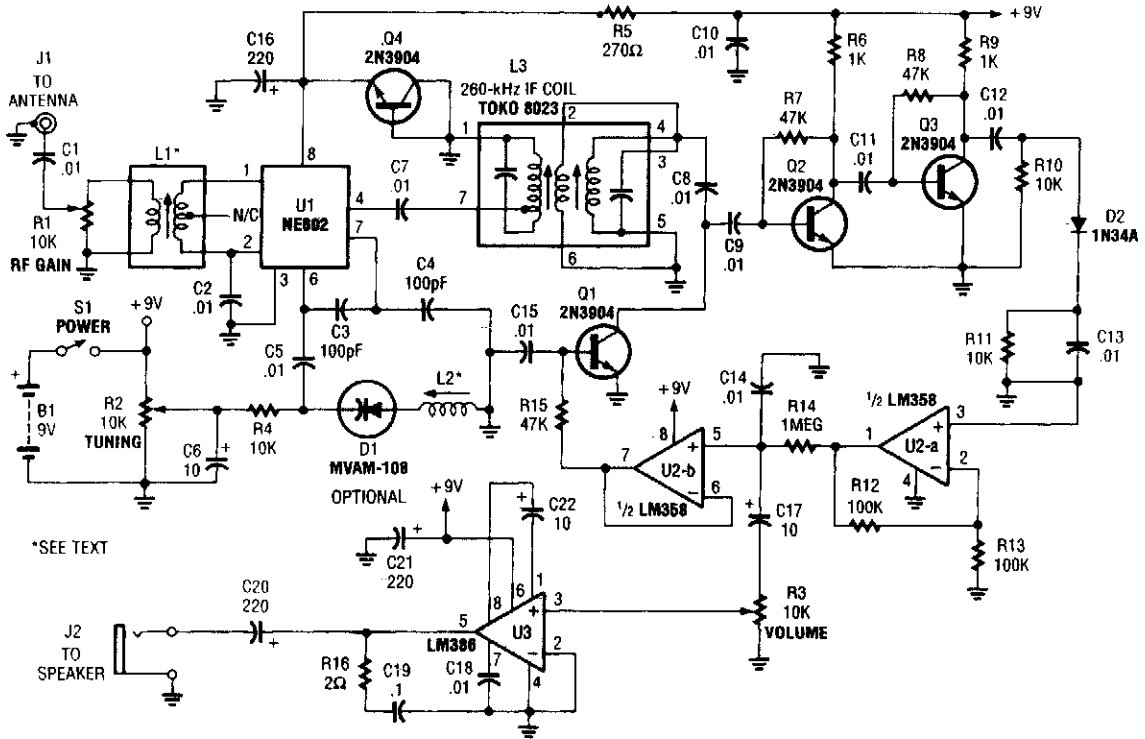
This direct-conversion receiver uses a TDA7000 IC and it drives an LM386 audio amplifier. The TDA7000 is used for its mixer and L.O. section. The frequency control can be either with an air variable capacitor or a varactor diode.

NE602 RF INPUT CIRCUITS



Here are a few of the many possible RF input circuits for the NE602. Just about any tuned or broadband circuit will work.

SUPER-SIMPLE SHORTWAVE RECEIVER



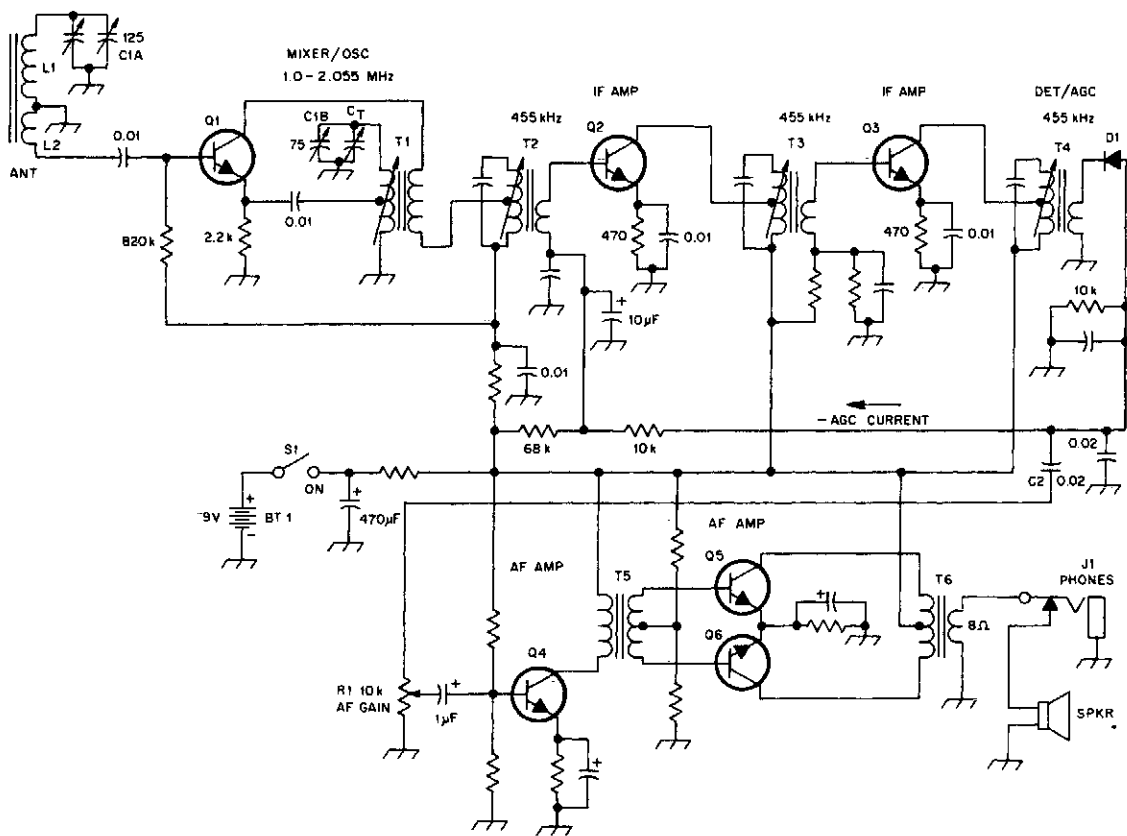
POPULAR ELECTRONICS

FIG. 83-10

Integrated circuit U1 (an NE602 double-balanced mixer) is a combination oscillator and frequency mixer. Signals from the antenna input (at J1) are fed through dc-blocking capacitor C1 to the RF-gain control, R1, and fed to the input of U1 at pins 1 and 2.

The local-oscillator frequency, which varies with the settings of R2 and L2, is mixed internally within U1, resulting in an output. The mixer output at pin 4 of U1 is applied to a tunable 260-kHz band-pass intermediate-frequency (IF) transformer, L3, through dc-blocking capacitor C7. Therefore, signals that are roughly 260 kHz above and below the local-oscillator frequency are passed while others are effectively blocked. The IF frequencies are now amplified by Q2 and Q3. The AM audio signal is detected by D2 and its associated components, which bypass the RF signals, and leave only the audio signals. The signals are preamplified by U1-a (half of an LM358 dual op amp). The audio is then boosted to speaker level by the LM386 low-voltage audio power amplifier, U3.

TRANSISTORIZED AM RADIO

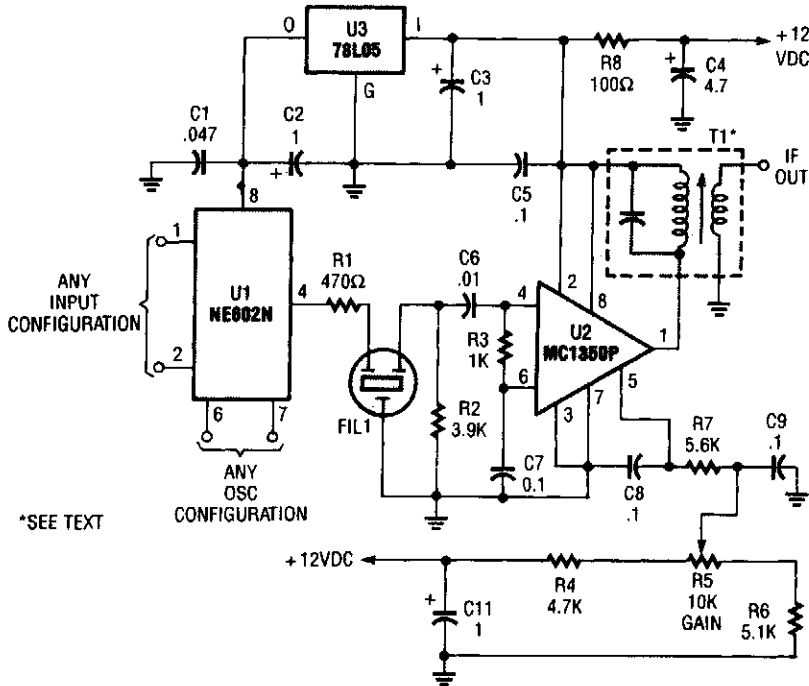


QST

FIG. 83-11

Shown is a schematic of a typical transistor AM radio. This circuit uses npn transistors. The circuit is "generic;" therefore, no specific values are given for some components. This circuit is for reference, to serve as a starting point for experimenters.

NE602 SUPERHET FRONT END



POPULAR ELECTRONICS

FIG. 83-12

By using an NE602 with a filter and an MC1350P IC, a front end and an IF system for a basic superheterodyne receiver can be built with few parts. T1 is any suitable IF transformer for 262 kHz, 455 kHz, 10.7 MHz, etc.

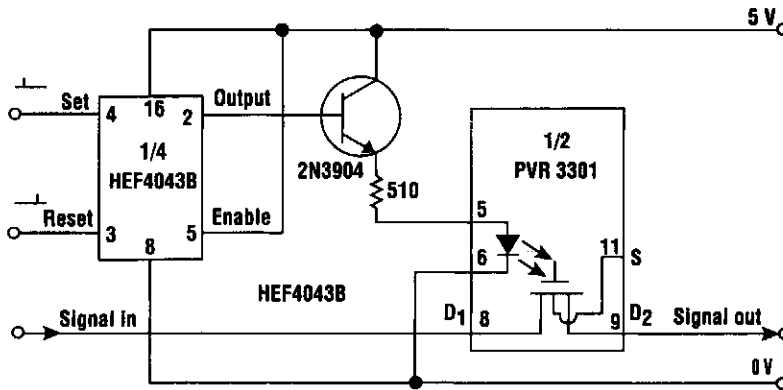
84

Relay Circuits

The sources of the following circuits are contained in the Sources section, which begins on page 675. The figure number in the box of each circuit correlates to the entry in the Sources section.

Solid-State Latching Relay
Solid-State Relay Circuit
Solid-State Relay Circuits
Time Delay Relay
Sensor-Activated Relay Pulser

SOLID-STATE LATCHING RELAY



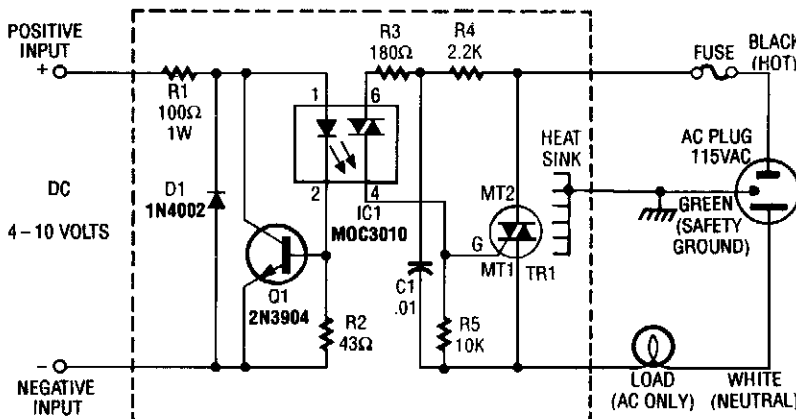
ELECTRONIC DESIGN

FIG. 84-1

This simple circuit provides a solid-state equivalent of the electromechanical latching relay (see the figure). What's more, the switching is clean, highly resistant to vibration and shock, and isn't sensitive to magnetic fields or position.

The circuit operates as follows: a set pulse to the 4043 RS latch takes its output high and turn on the 2N3904 transistor. Current will then flow through the photovoltaic relay's LED and the resistance between D1 and D2 will fall from several gigaohms to less than $30\ \Omega$. The PVR will remain in this state until a reset pulse is received by the 4043 RS latch.

SOLID-STATE RELAY CIRCUIT

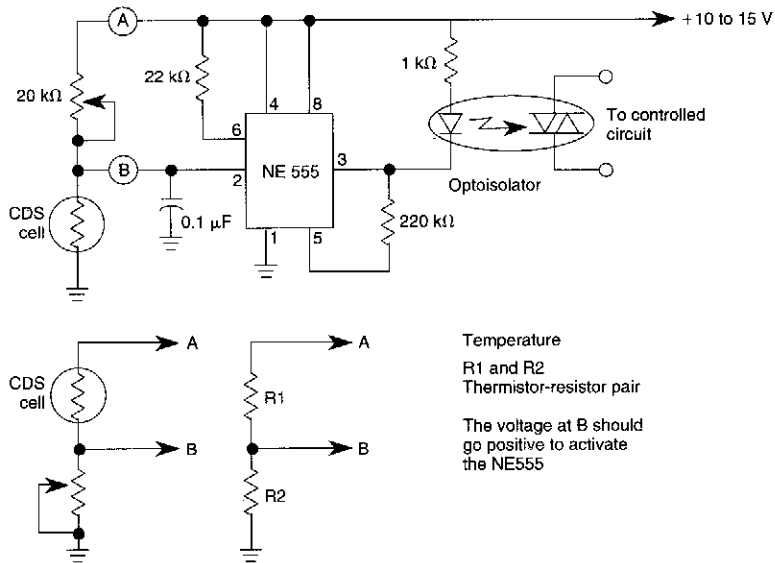


RADIO ELECTRONICS

FIG. 84-2

R1 limits input current while Q1 acts as a current sink to protect IC1. D1 serves as a polarity protector. IC1 provides a triac output to trigger the main triac, TR1.

SOLID-STATE RELAY CIRCUITS

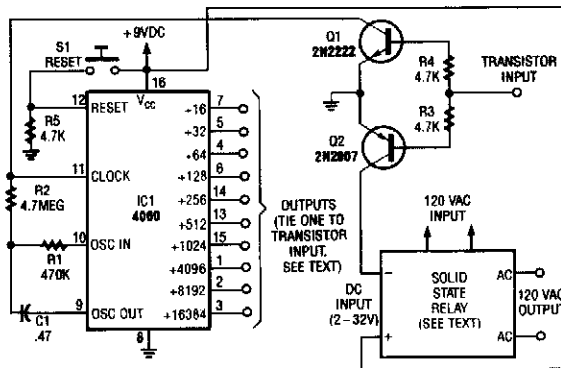


WILLIAM SHEETS

FIG. 84-3

This dark-activated relay switch can be used to turn on walkway or other outdoor lighting at dusk. By using alternate connections to A and B, increasing illumination, high and low temperatures can be sensed.

TIME DELAY RELAY

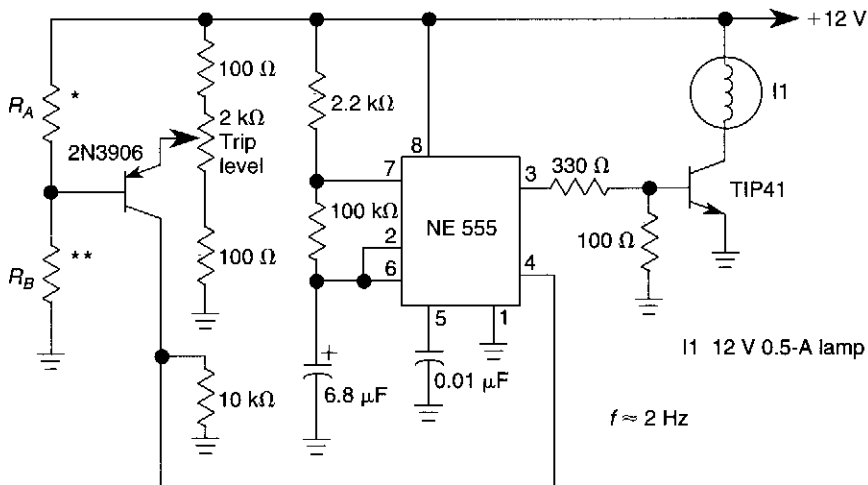


ELECTRONICS NOW

FIG. 84-4

Using a 4060 CMOS binary divider and built-in clock oscillator, a long-duration timer can be made very simply. The solid-state relay can be sized for your application, and can be replaced with a mechanical relay if a suitable power supply is available. With the components shown, a 4.5-Hz clock frequency is generated. Divided outputs are available from $\div 4$ to 16384 (about 4 hours).

SENSOR-ACTIVATED RELAY PULSER



Either R_A or R_B can be sensors, as desired. A decrease in R_B or an increase in R_A will cause the NE555 to flash I1. R_A and R_B should be ≤ 100 k Ω max.

WILLIAM SHEETS

FIG. 84-5

A sensor turns on Q1 to activate the low-frequency 555 oscillator, which pulses LAMP I1. Sensor may be sensitive to changes in light or temperature.

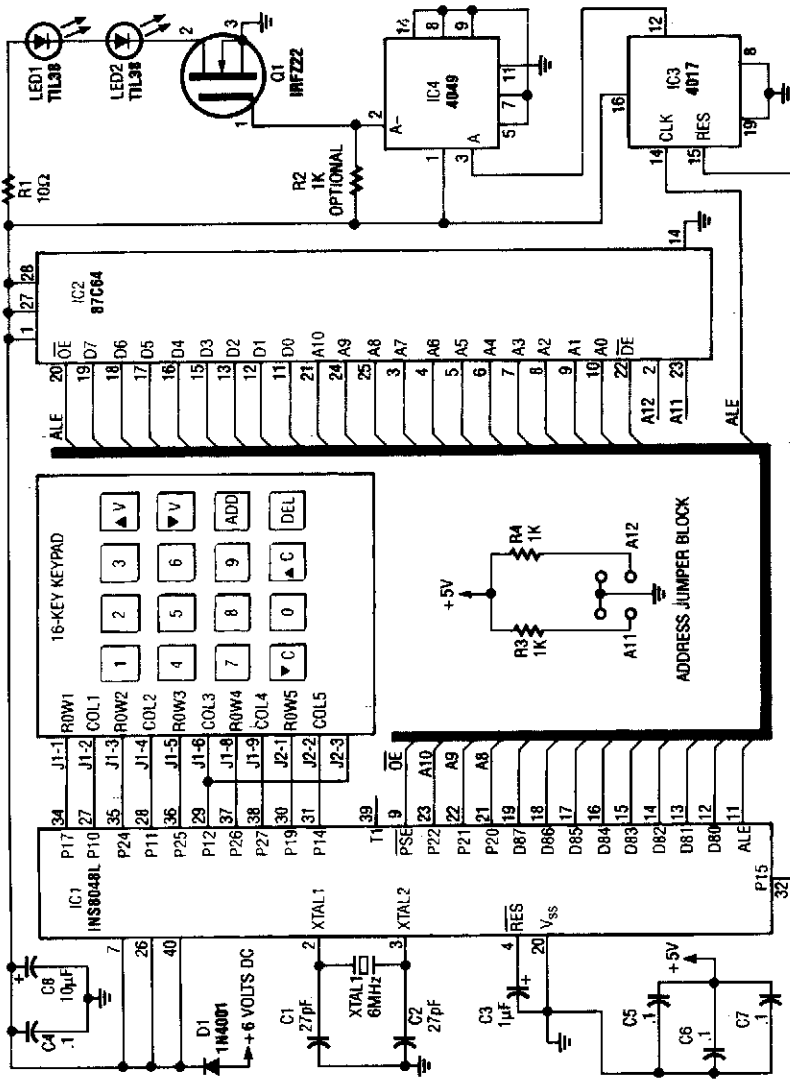
85

Remote-Control Circuits

The sources of the following circuits are contained in the Sources section, which begins on page 675. The figure number in the box of each circuit correlates to the entry in the Sources section.

Remote-Control Transmitter
Remote-Control Receiver
Interface Circuits for the Remote-Control Transmitter
Remote-Control Extender
Ultrasonic Remote-Control Transmitter
Remote-Control Transmitter
Ultrasonic Remote-Control Receiver

REMOTE-CONTROL TRANSMITTER



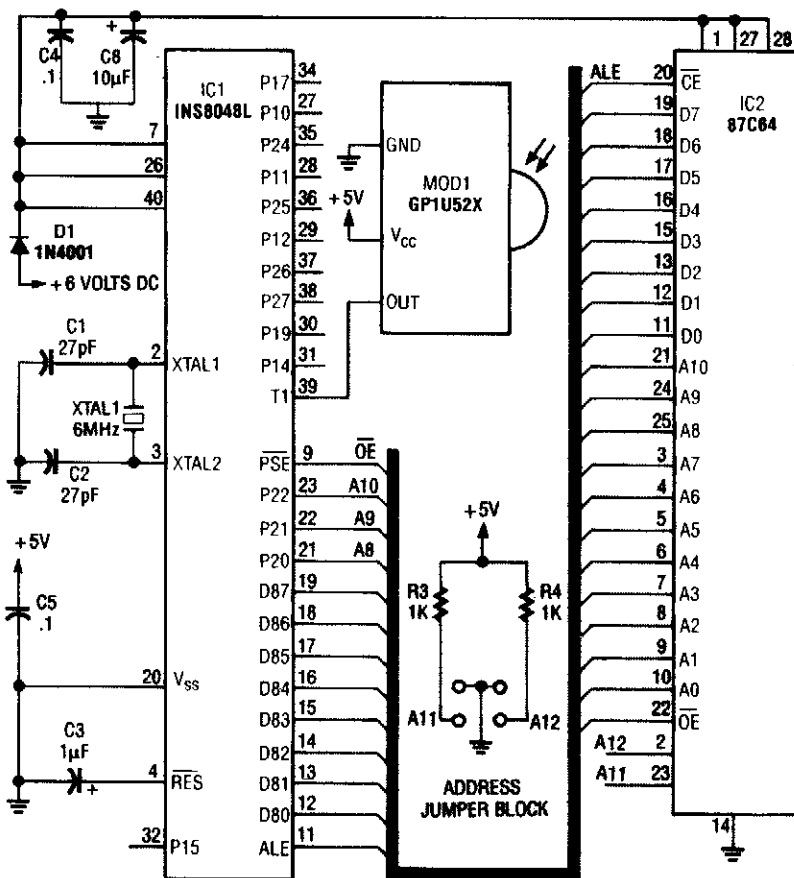
IR TRANSMITTER SCHEMATIC. The 40-kHz carrier is derived by dividing IC1's oscillator frequency (6 MHz) by 15, to get 400 kHz, which is divided by 10 by IC3.

ELECTRONICS NOW

FIG. 85-1

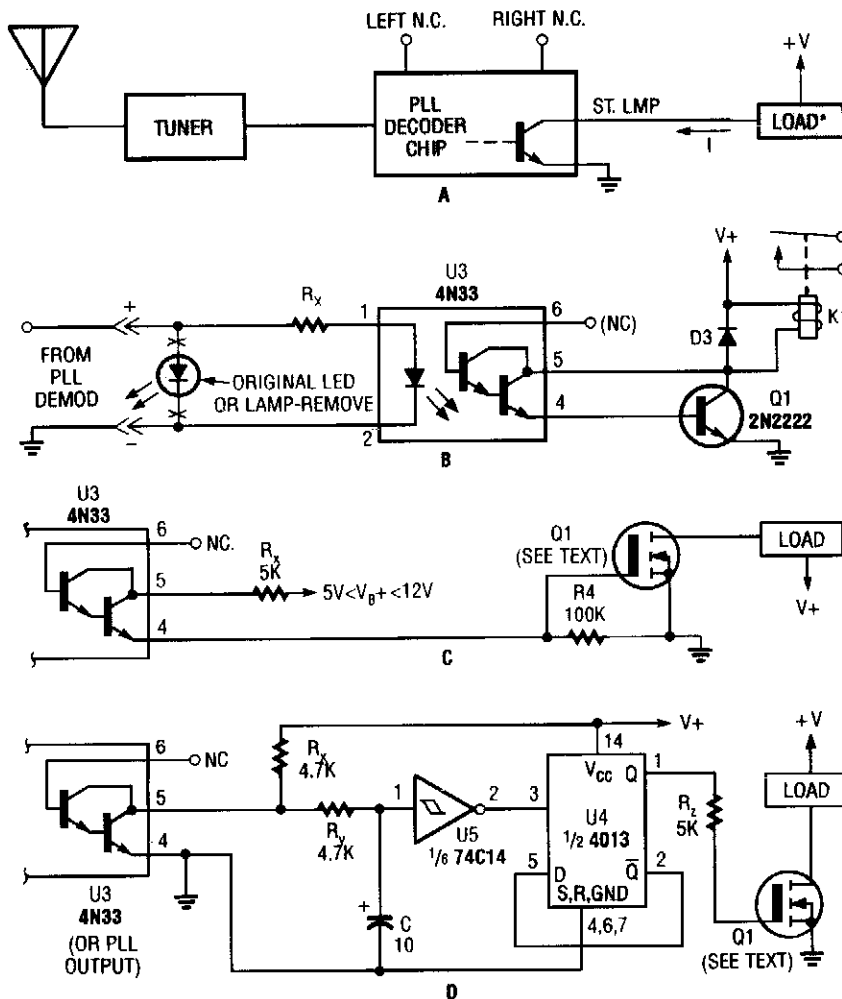
This transmitter sends an FM signal in the 88-to 108-MHz range, with a tone of 19 kHz. This can be used to activate the FM MPX pilot carrier indicator, which can be interfaced to external devices. L4 is for use with a 15 CM wire antenna. L1 is 9 turns of #26 enamelled wire on a 10-kΩ ¼-W resistor. L2 is 2 turns wound over L1. L3 is 7 turns of #26 enamelled wire on a 10-kΩ ¼-W resistor.

REMOTE-CONTROL RECEIVER



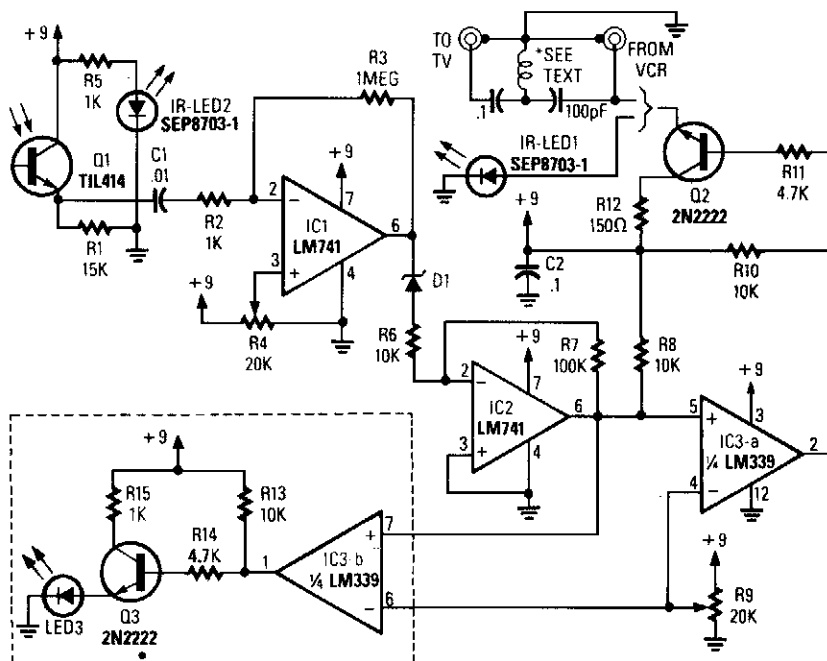
This circuit is based on the Sharp GP1U52X IR module and INS8048L microprocessor. The GP1U52X is a hybrid IC/infrared detector that provides a strong clean signal for later filtering and demodulation.

INTERFACE CIRCUITS FOR THE REMOTE-CONTROL TRANSMITTER



Shown here are several possible interface circuits that can be used with the remote-control transmitter. The one in A illustrates a typical FM stereo MUX decoder with a load connected directly to the open-collector output of a TA7343 PLL. The circuit in B illustrates an optoisolator-coupler output driving a 12-V relay coil via a general-purpose transistor. C shows the gate of an N-channel power MOSFET connected to the output of a 4N33. The final circuit, D, is a toggle flip-flop that allows push-on/push-off control.

REMOTE-CONTROL EXTENDER

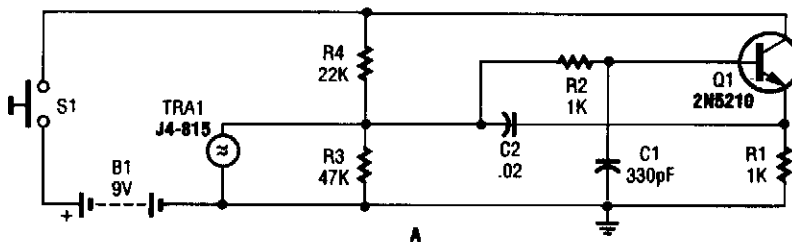


1991 R-E EXPERIMENTERS HANDBOOK

FIG. 85-4

A signal from an IR remote control is converted from IR radiation to a frequency pulse that can be transmitted through coaxial TV cable or any other two-conductor wire to another room, where it's converted back into an IR signal.

ULTRASONIC REMOTE-CONTROL TRANSMITTER

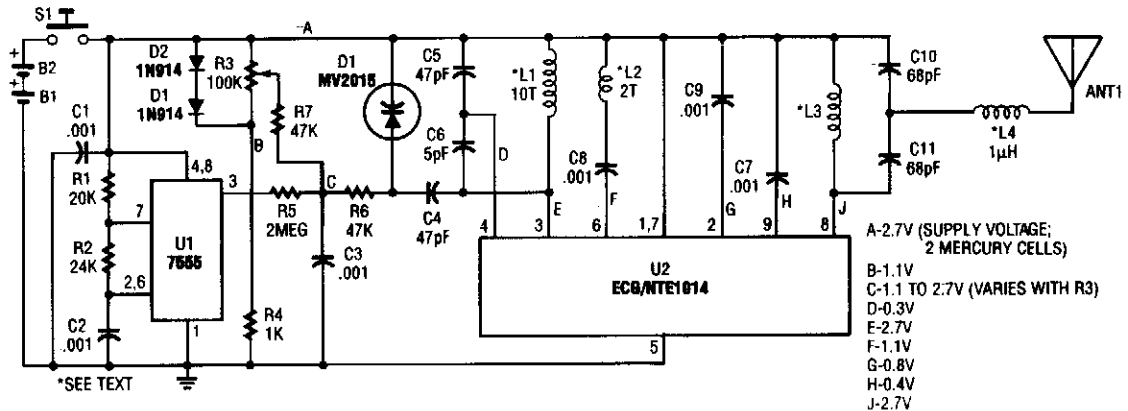


POPULAR ELECTRONICS

FIG. 85-5

A GC Electronic P/N J4-815 ultrasonic transducer is used in this 40-kHz transmitter for remote-control application.

REMOTE-CONTROL TRANSMITTER

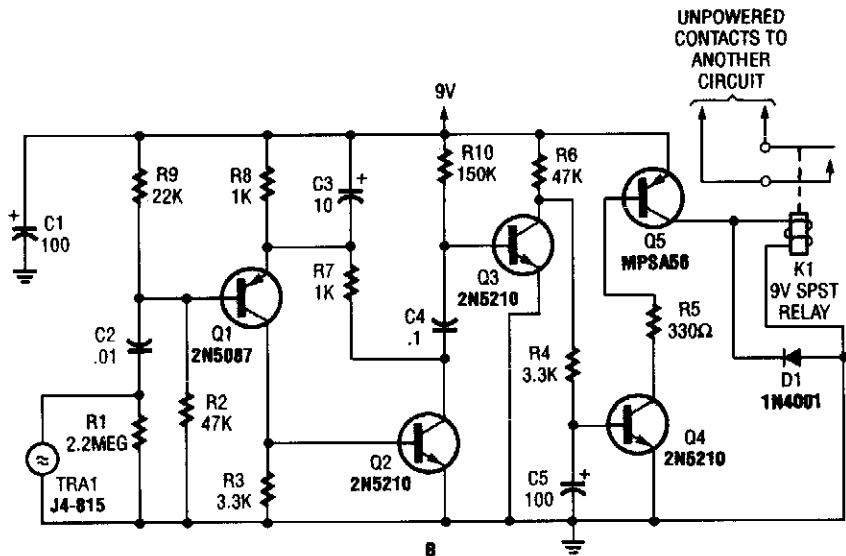


POPULAR ELECTRONICS

FIG. 85-6

This transmitter can be used for a variety of purposes. An INS8048L microprocessor generates various codes depending on keypad presses. The codes are modulated on a 40-kHz carrier. Q1 drives IR LEDs LED1 and LED2.

ULTRASONIC REMOTE-CONTROL RECEIVER



POPULAR ELECTRONICS

FIG. 85-7

A GC Electronics P/N J4-815 transducer is used to receive 40-kHz acoustic remote-control signals. The receiver drives a relay for control of another circuit.

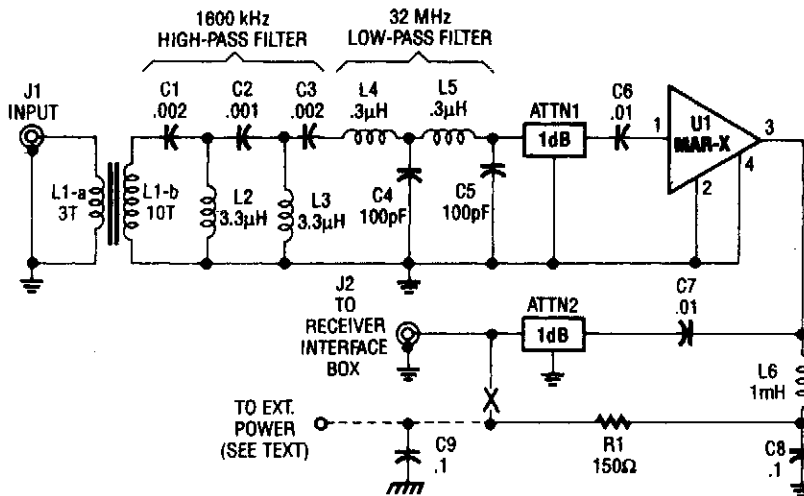
86

RF Amplifier Circuits

The sources of the following circuits are contained in the Sources section, which begins on page 675. The figure number in the box of each circuit correlates to the entry in the Sources section.

HF Preamplifier	Receiver/Scanner Preamp Using MAR-1 MMIC
VHF/UHF Preamp Using MAR-x	20-W 1296-MHz Amplifier Module
Broadband RF Amplifier	Simple 455-kHz IF Amplifier
Low-Noise GASFET Preamp for 435 MHz	UHF Amplifier
Broadcast-Band RF Amplifier	144- to 2304-MHz UHF Broadband Amplifier
70-MHz RF Power Amplifier	455-kHz IF Amplifier
Miniature Wideband Amplifier	Switchable HF/VHF Active Antenna
30-MHz Amplifier	455-kHz IF Amp for 1.5-V Operation
20-W 450-MHz Amplifier	5-W 7-MHz RF Power Amplifier
Wideband Power Amplifier	LC Tuned Amplifiers
TV Sound System	Wideband Preamp
10-W 10-Meter Linear Amplifier	RF Preamplifiers
2-Meter FET Power Amplifier for HTs	45-MHz IF Amplifier with crystal filter

HF PREAMPLIFIER

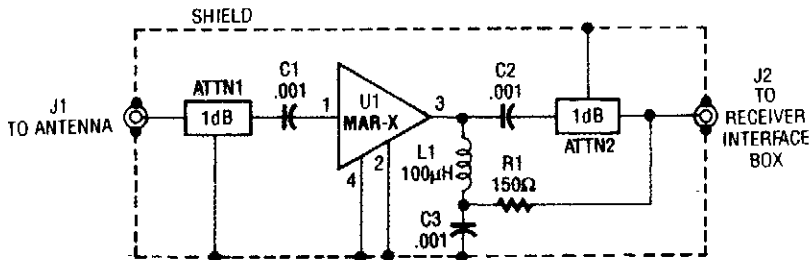


POPULAR ELECTRONICS

FIG. 86-1

This HF SW receiver preamplifier is comprised of a broadband toroidal transformer (L1-a and L1-b), a complex LC network (comprised of a 1600-kHz, high-pass filter and a 32-MHz, low-pass filter), L2 and L3 (26 turns of #26 enameled wire wound on an Amidon Associates T-50-2, red, toroidal core), a pair of resistive attenuators (ATTN1 and ATTN2), and of course, the MAR-x device. External power for the preamp can be 9 to 12 Vdc. R1 can be increased in value for higher voltages.

VHF/UHF PREAMP USING MAR-x

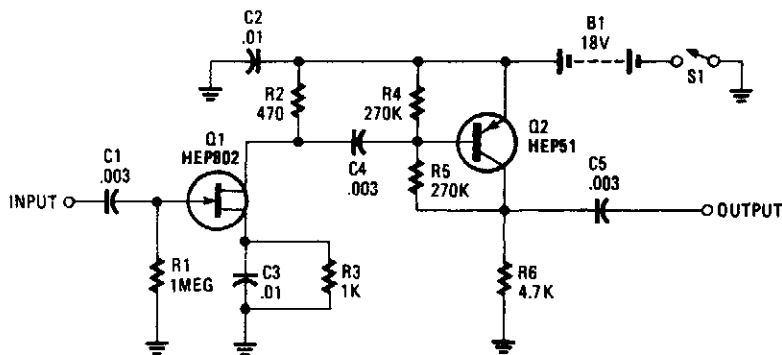


POPULAR ELECTRONICS

FIG. 86-2

The MAR-x preamp shown will cover up to 1.5 or 2 GHz with the correct MAR-x IC. ATTN1 should be omitted for low noise-figure applications. ATTN1 and ATTN2 provide a means of limiting possible termination range, for less chance of device instability.

BROADBAND RF AMPLIFIER

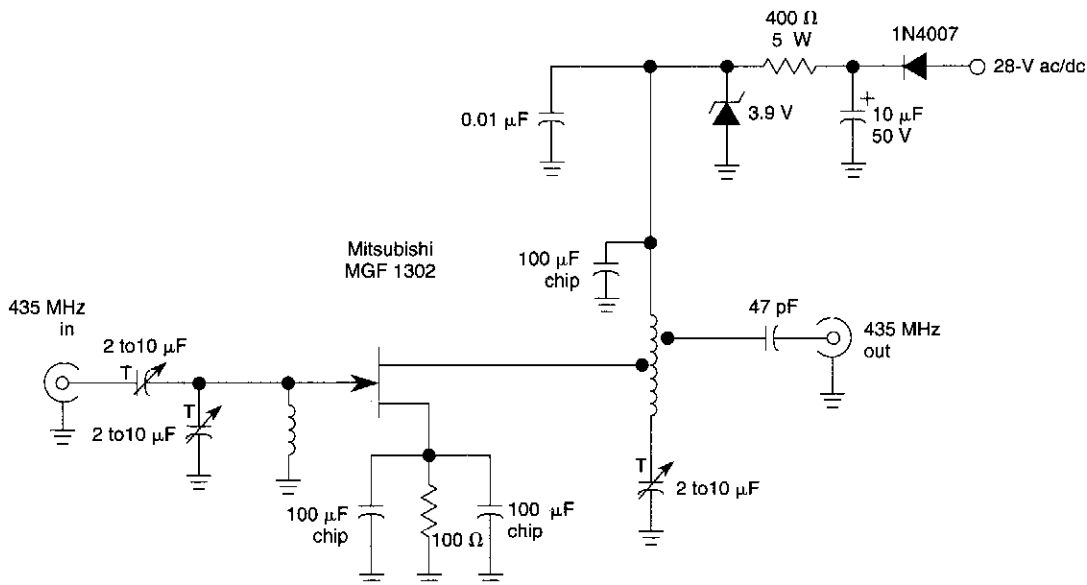


POPULAR ELECTRONICS

FIG. 86-3

The use of a FET gives this amplifier a high input impedance. The bandwidth should be adequate for LW through HF use (dc-30 MHz), as an active antenna preamplifier.

LOW-NOISE GASFET PREAMP FOR 435 MHz

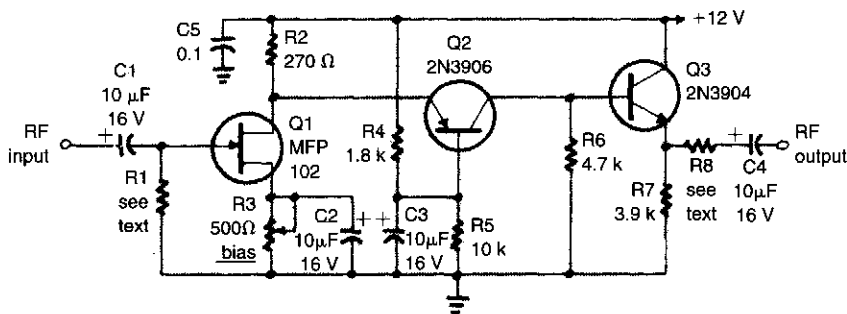


WILLIAM SHEETS

FIG. 86-4

This circuit is a low-noise preamplifier for the 435-MHz amateur satellite frequencies. The circuit uses a Mitsubishi MGF1302. A 28-Vdc source is shown, although by changing the 400-Ω 5-W resistor lower voltages can be used.

BROADCAST-BAND RF AMPLIFIER

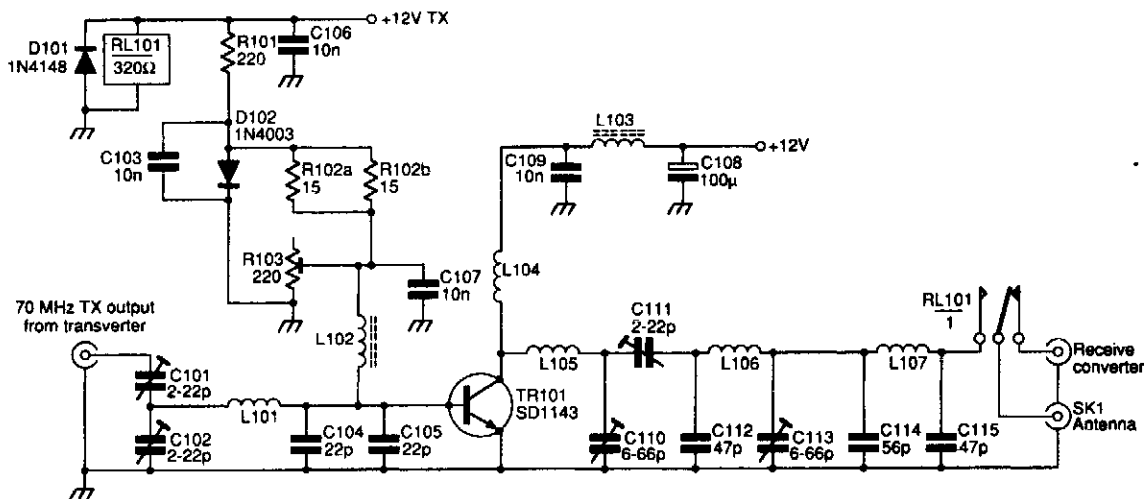


R-E EXPERIMENTERS HANDBOOK

FIG. 86-5

The circuit has a frequency response that ranges from 100 Hz to 3 MHz; the gain is about 30 dB. Field-effect transistor Q1 is configured in the common-source self-biased mode; optional resistor R1 allows you to set the input impedance to any desired value. Commonly, it will be 50 Ω. The signal is then direct-coupled to Q2, a common-base circuit that isolates the input and output stages and provides the amplifier's exceptional stability. Last, Q3 functions as an emitter-follower, to provide low output impedance (about 50 Ω). If you need higher output impedance, include resistor R8. It will affect impedance according to this formula: $R_8 \approx R_{OUT} - 50$. Otherwise, connect output capacitor C4 directly to the emitter of Q3.

70-MHz RF POWER AMPLIFIER

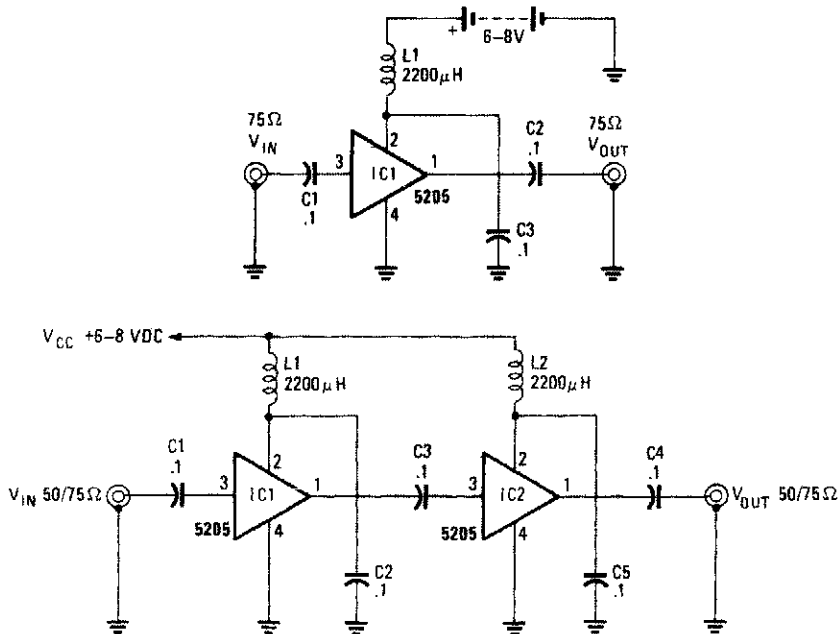


PRACTICAL WIRELESS

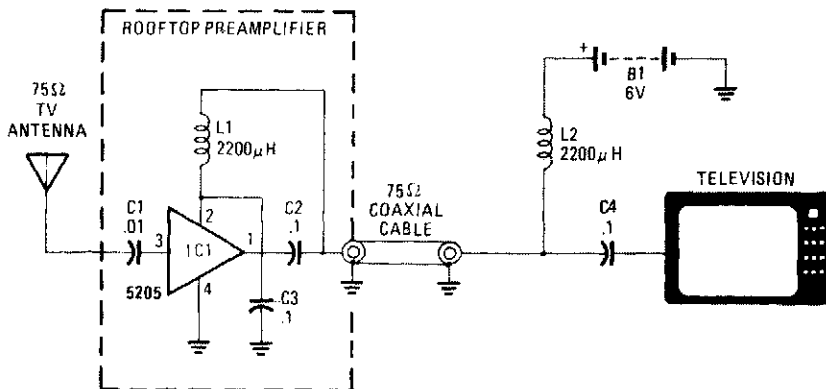
FIG. 86-6

The SD1143 transistor provides a gain of about 14 dB in this circuit. It uses the fact that a 175-MHz device has a much higher gain when used at lower frequencies. The amplifier was originally designed to be used with a transverter. The output is 8 to 10 W for a 300- to 500-mW input.

MINIATURE WIDEBAND AMPLIFIER



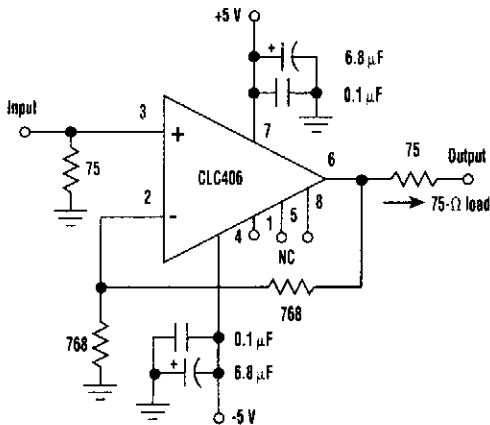
SINCE THE NE5205 FUNCTIONS as a gain block, two or more can be easily cascaded to provide additional amplification. In this circuit, which uses two NE5205s, the overall gain is <0 dB.



IF THE POWER SUPPLY is fed through the signal-carrying coaxial cable, the amplifier can be mounted in a weatherproof enclosure directly at the antenna.

Except for the coupling and decoupling capacitors, IC1 is a complete wideband amplifier that has a fixed gain of 20 dB to 450 MHz. No external compensation is required.

30-MHz AMPLIFIER

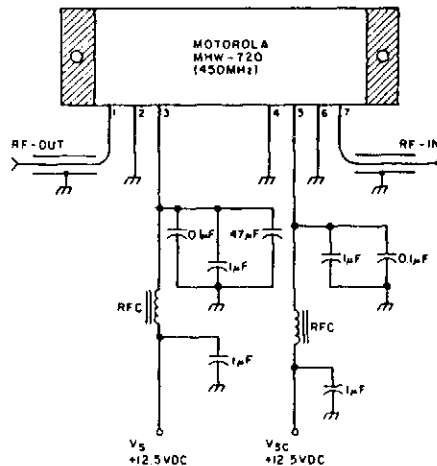


ELECTRONIC DESIGN

FIG. 86-8

Using a CLC406 op amp, this video amplifier has a voltage gain of +2 and is flat to 30 MHz. The circuit should be useable in video switching and interfacing applications.

20-W 450-MHz AMPLIFIER

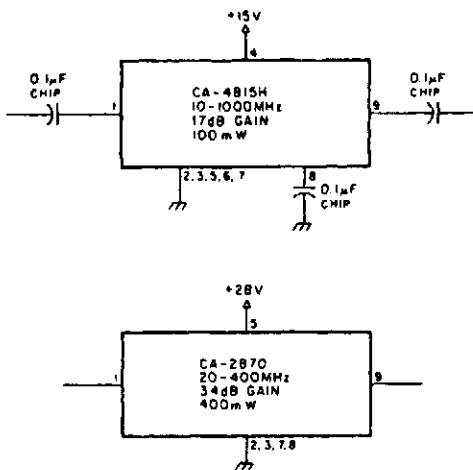


73 AMATEUR RADIO

FIG. 86-9

Delivering 20-W output, this amplifier has a gain of 21 dB at 450 MHz. A 12-V supply powers this circuit.

WIDEBAND POWER AMPLIFIER

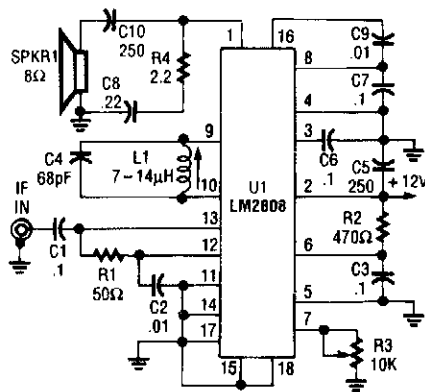


73 AMATEUR RADIO

FIG. 86-10

Using TRW P/N CA-815H, a 17-dB gain amplifier that delivers 100 mW over 10 to 1000 MHz can be constructed. The CA-2870 will yield 0.4 W with 34-dB gain from 20 to 400 MHz.

TV SOUND SYSTEM

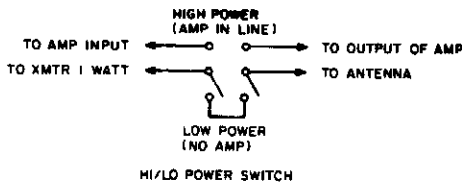
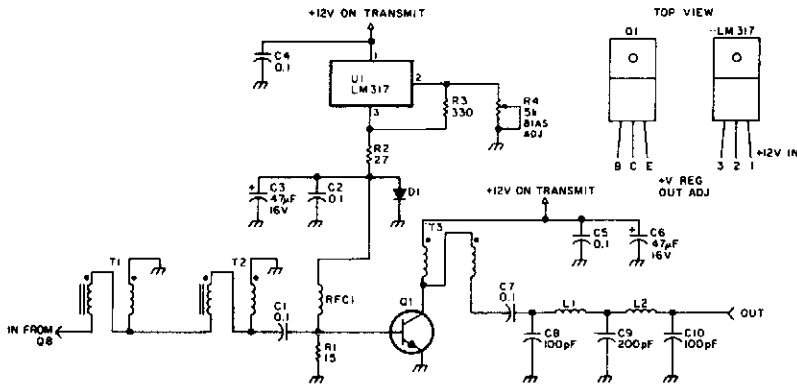


POPULAR ELECTRONICS

FIG. 86-11

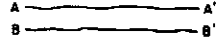
An LM2808 performs IF amplification of the 4.5-MHz sound subcarrier, limiting, detection, and audio amplification. If the center frequency must be changed, then change L1/C4. Audio output is 0.5 W. R3 is the volume control.

10-W 10-METER LINEAR AMPLIFIER

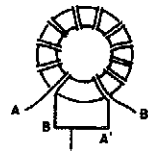


A double-pole double-throw switch can be used to switch the amplifier in and out of the circuit.

1. TWIST TWO ENAMELED WIRES TOGETHER. ITS HELPFUL TO USE DIFFERENT COLORS.



2. WIND THE A, B PAIR AROUND TOROID THE RIGHT NUMBER OF TURNS. 3. SOLDER END B TO END A'.



Bifilar winding details for T1, T2 and T3.

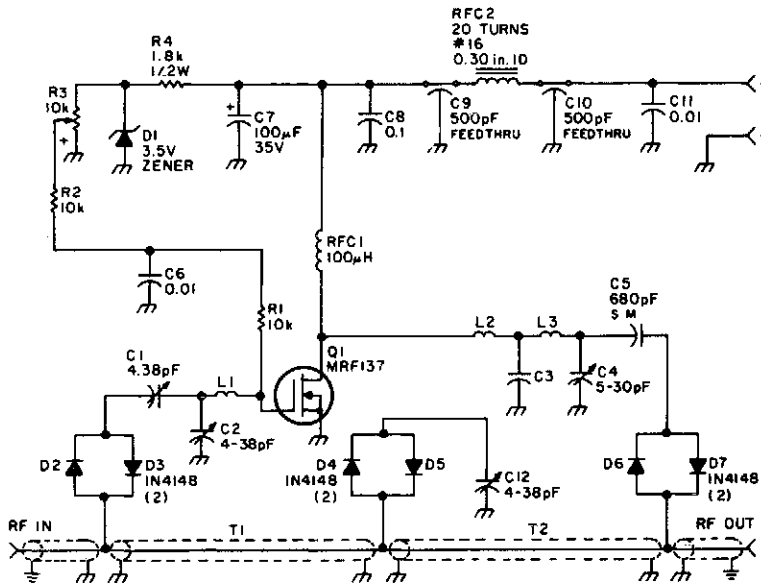
Table 1. Output filter values for other bands.

Band (meters)	C1,C3	C2	L1,L2
12	117 pF	220 pF	8 turns, T-50-6 toroid
15	138 pF	270 pF	9 turns, T-50-6 toroid
20	138 pF	420 pF	12 turns, T-50-6 toroid
30	289 pF	579 pF	12 turns, T-50-2 toroid
40	400 pF	800 pF	14 turns, T-50-2 toroid
80	700 pF	1415 pF	19 turns, T-50-2 toroid

Note: use #26 wire for C1 and C2. Use capacitors that are closest to these suggested values. As the operating frequency decreases, the gain will increase as well as the possibility for instability. You may have to use RC feedback to negate this effect. Values for the above table were obtained from the QRP Notebook by Doug DeMaw.

This linear amplifier delivers 10-W PEP output with 1.25-W drive on 10 m. T1, T2, and T3 are 10 turns of bifilar windings on an FT-50-43 toroidal core. The transformers are broadband. Filters for other bands, if desired, are shown.

2-METER FET POWER AMPLIFIER FOR HTs

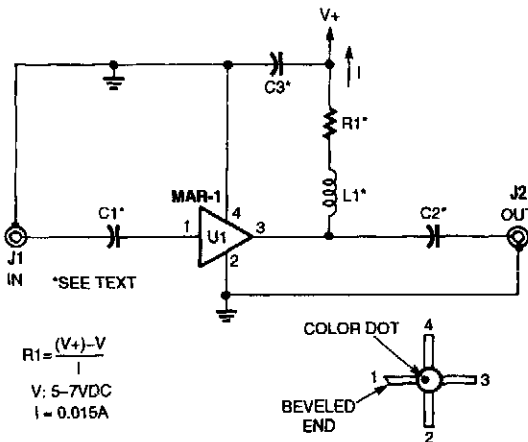


73 AMATEUR RADIO TODAY

FIG. 86-13

Using a power MOSFET, this amplifier can boast a 2-W handie-talkie power level to around 10 W on 2 meters. A transmission-line RF switch is used for T/R switching.

RECEIVER/SCANNER PREAMP USING MAR-1 MMIC

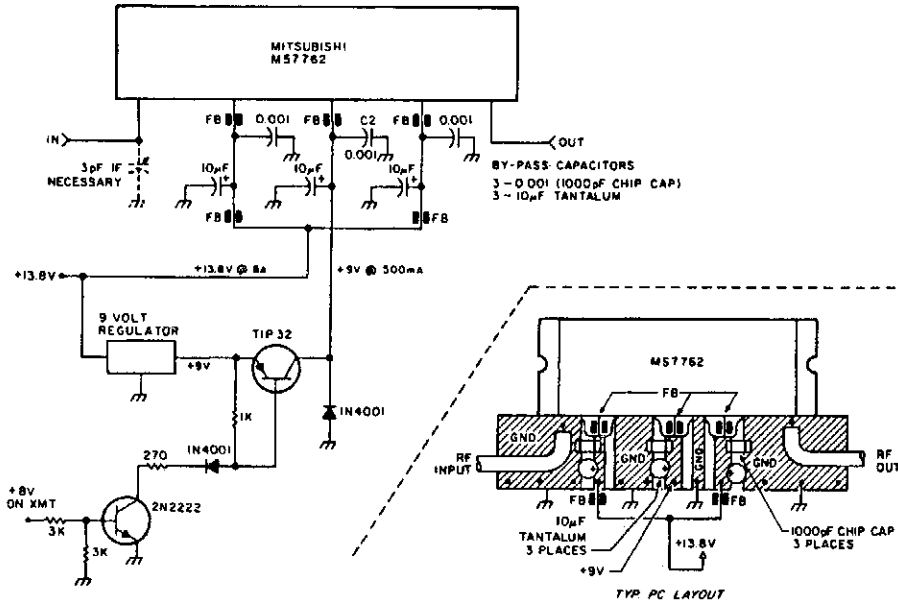


The low-cost Mini-Circuits MAR-X series of chips offer the RF builder a real advantage, with their inherent 50-Ω input and output impedances (needed for RF systems). An MAR-1-based receiver/scanner preamplifier is shown. C1 and C2 are chip capacitors. Use 0.01 μF for HF, 0.001 for VHF, and 100 pF for above 100 MHz, depending on the low-frequency limit that you desire. C3 can be a ceramic disc of 0.01 μF or 0.001 μF, depending on frequency range. L1 is an RF choke that is suitable for the frequency range that you desire (0.1 to 10 μH).

POPULAR ELECTRONICS

FIG. 86-14

20-W 1296-MHz AMPLIFIER MODULE

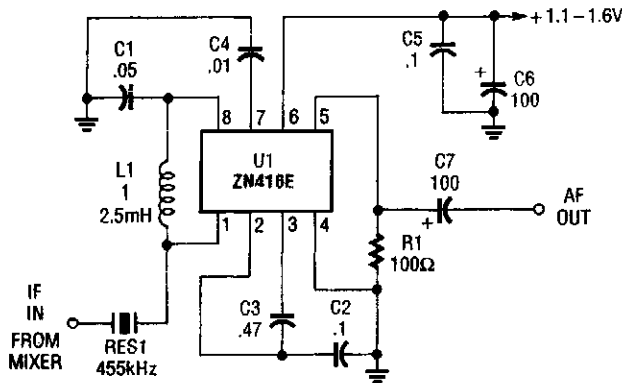


73 AMATEUR RADIO

FIG. 86-15

Using a Mitsubishi M57762-amplifier module, this amplifier delivers 20-W output on 1296 MHz. A single 12-V nominal power supply can be used.

SIMPLE 455-kHz IF AMPLIFIER

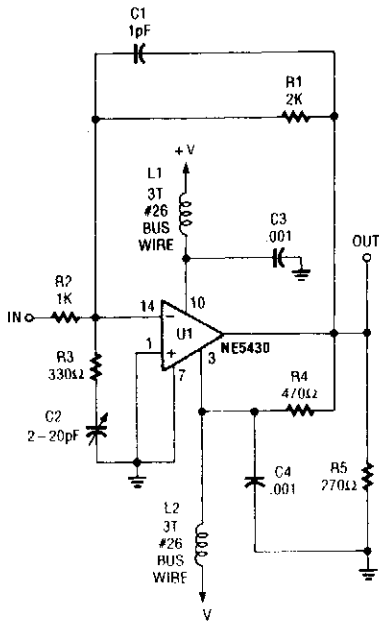


POPULAR ELECTRONICS

FIG. 86-16

The ZN416E can be configured as a simple 455-kHz IF amplifier. In this case, the circuit's center frequency and bandwidth are set by RES1 (a Murata CSB455E ceramic resonator).

UHF AMPLIFIER



NOTE
RESISTORS-1/4 WATT CARBON
L1 & L2 WOUND ON FERROXCUBE VK200 09/3B
WIDEBAND THREADED CORE.

POPULAR ELECTRONICS

FIG. 86-17

144- TO 2304-MHz UHF BROADBAND AMPLIFIER

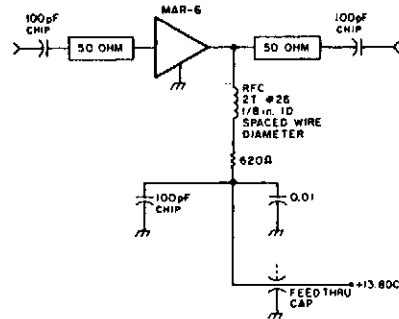
Table 1.

Device	Max. mA	Normal Current mA.	Approx. Gain 1-GHz
MAR-1	40	20-30 mA	18 dB
MAR-2	60	30-40 mA	13 dB
MAR-3	70	30-50 mA	12 dB
MAR-4	85	50-70 mA	8 dB
MAR-6	50	15-25 mA	17 dB
MAR-7	60	25-40 mA	13 dB
MAR-8	65	30-50 mA	23 dB

Table 2.

MMIC Amplifier Performance

144 MHz	18.2 dB	2.7 dB N/F
220 MHz	18.3 dB	2.6 dB N/F
432 MHz	16.5 dB	2.8 dB N/F
902 MHz	15.0 dB	2.9 dB N/F
1296 MHz	13.0 dB	3.5 dB N/F
2304 MHz	8.8 dB	4.2 dB N/F

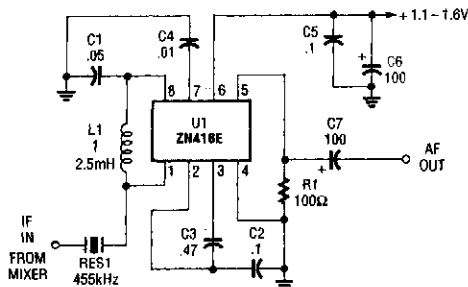


73 AMATEUR RADIO

FIG. 86-18

Based on an MAR-6 preamp, this circuit yields low noise figures and useful gain for the 144-MHz to 2304-MHz amateur bands.

455-kHz IF AMPLIFIER

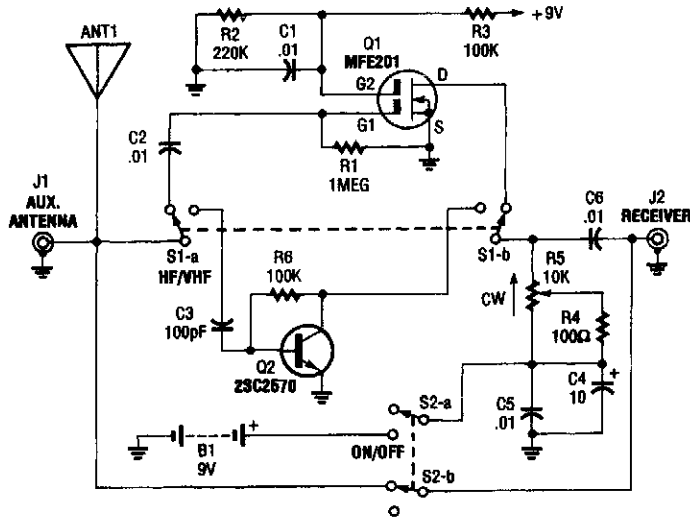


POPULAR ELECTRONICS

FIG. 86-19

Up to 60 dB of gain at 455 kHz is available with the MC1350P. RES1 is a ceramic resonator, LC, or crystal filter. Keep the leads to pins, 1, 2, 3, and 7 short.

SWITCHABLE HF/VHF ACTIVE ANTENNA

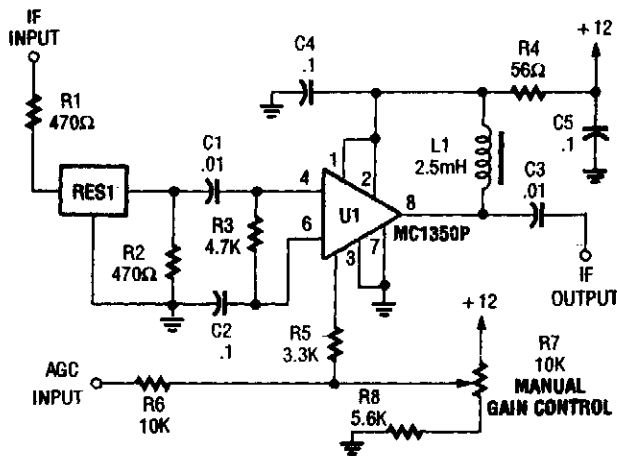


POPULAR ELECTRONICS

FIG. 86-20

The AA-7 active antenna contains only two active elements: Q1 (an MFE201 N-channel dual-gate FET) and Q2 (a 2SC2570 npn VHF silicon transistor), which provide the basis of two independent, switchable RF preamplifiers.

455-kHz IF AMP FOR 1.5-V OPERATION

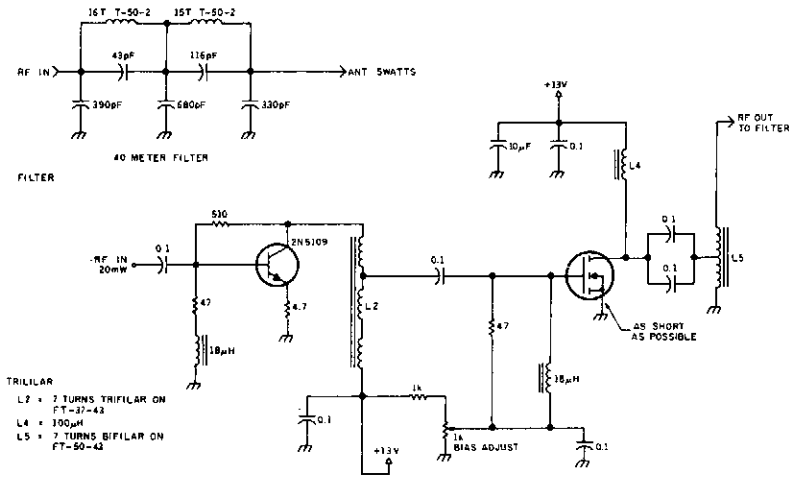


POPULAR ELECTRONICS

FIG. 86-21

The ZN416E can be configured as a simple 455-kHz IF amplifier. In this case, the circuit's center and bandwidth are set by RES1 (a Murata CSB455E ceramic resonator).

5-W 7-MHz RF POWER AMPLIFIER

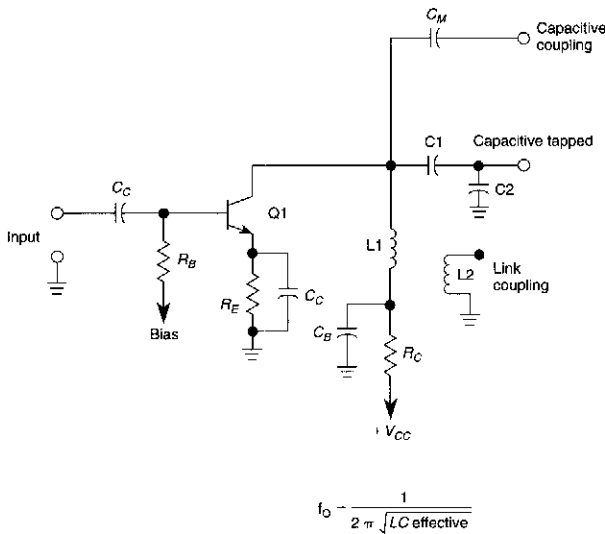


73 AMATEUR RADIO TODAY

FIG. 86-22

The circuit shown will produce up to 5-W RF output in the 40-m (7 MHz) amateur band. The coils shown are wound on toroidal cores (Arndon Associates Inc.). The part numbers are given in the schematic. The circuit requires about 20-mW drive and a 13-V supply.

LC TUNED AMPLIFIERS



WILLIAM SHEETS

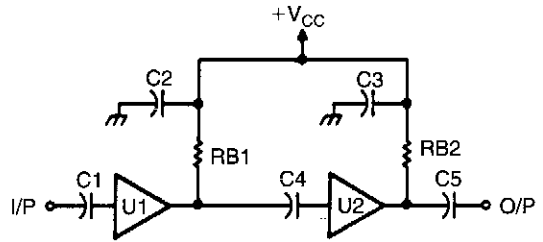
FIG. 86-23

This basic tuned LC amplifier can be used with three output coupling methods. They are capacitive coupling output, capacitive tapped output, or link-coupled output.

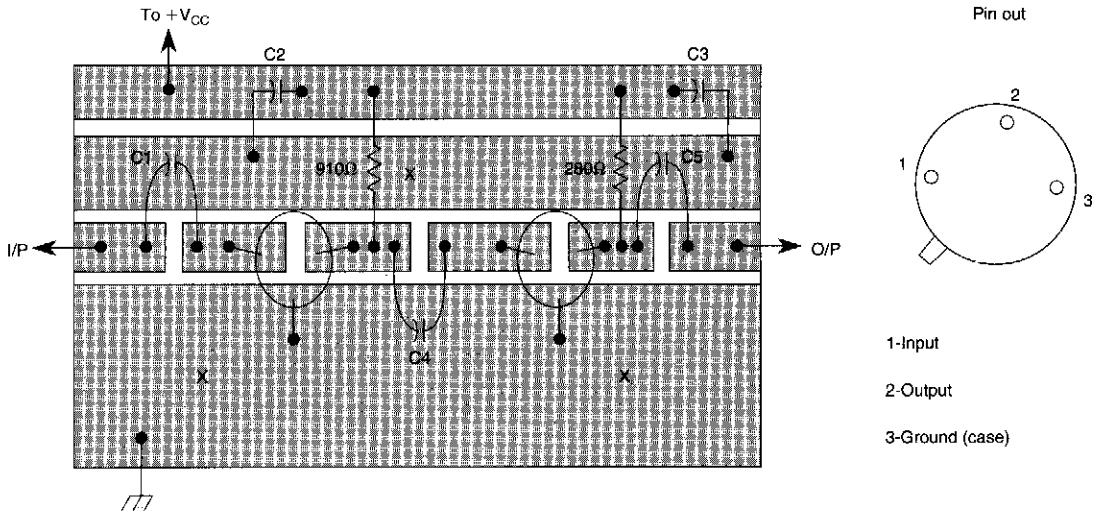
WIDEBAND PREAMP

Table 1.

	V _{CC}	V _d	I _d	R _b
MWA110	5 Vdc	2.9 Voc	10 mA	210Ω
	6			310Ω
	12			910Ω
MWA120	5	5.0	25	1Ω
	6			40Ω
	12			280Ω
MWA130	5	3.2	25	85Ω
	6			120Ω
	12			360Ω



V_{CC} = 12 Vdc; C1 to C5 = 0.1 μF; RB1 = 910Ω;
RB2 = 280Ω; U1 = MWA110; U2 = MWA120



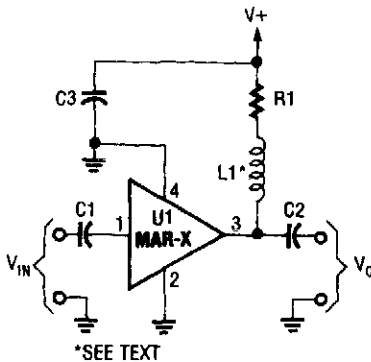
PC board layout (shading represents copper) and parts layout. "X" is the feedthrough wire to the ground plane. All capacitors are 0.1 μF. Keep all leads short.

Motorola MWA 110, 120, or 130 are wideband amplifier ICs. This wideband preamp circuit can be used in many applications. Keep the leads short when constructing the circuitry.

RF PREAMPLIFIERS

TABLE 1—MAR-X CAPABILITIES

DEVICE	MAX. FREQ. (MHz)	GAIN (100/50/1000 MHz)	N.F.	COLOR
MAR-1	1,000	18.5/17.5/15.5	5	Brown
MAR-2	2,000	13/12.8/12.5	6.5	Red
MAR-3	2,000	13/12.8/12.5	6	Orange
MAR-4	1,000	8.2/8.2/8	7	Yellow
MAR-6	2,000	20/19/16	2.8	White
MAR-7	2,000	13.5/13.1/12.5	5	Violet
MAR-8	1,000	33/28/23	3.5	Blue

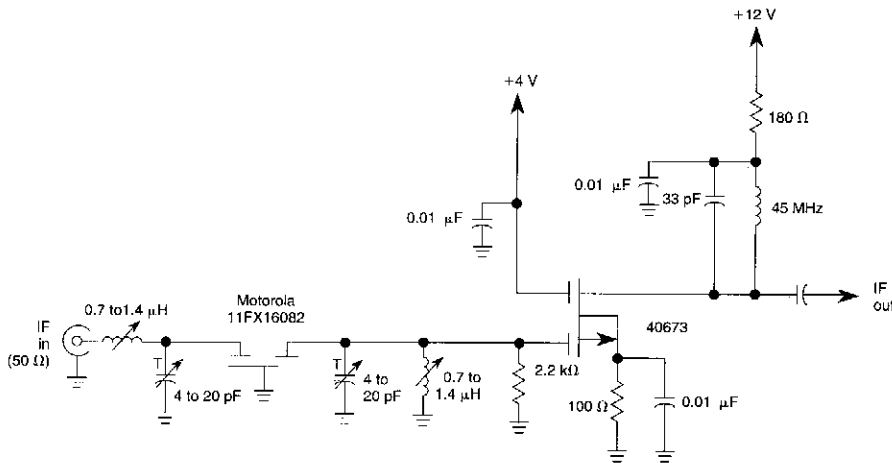


In this basic MAR-x-based circuit, both the input and output are comprised of a single dc-blocking capacitor (C1 and C2 for the input and output, respectively). The dc power-supply network (comprised of L1 and R1) is attached to the MAR-x via the RF-output terminal (lead 3).

POPULAR ELECTRONICS

FIG. 86-25

45-MHz IF AMPLIFIER WITH CRYSTAL FILTER



WILLIAM SHEETS

FIG. 86-26

A 40673 dual-gate MOSFET is matched to a crystal filter at 45 MHz. The filter impedance is around 2kΩ. The +4-V source can be made variable for gain control (about +4 to -4V).

87

RF Oscillator Circuits

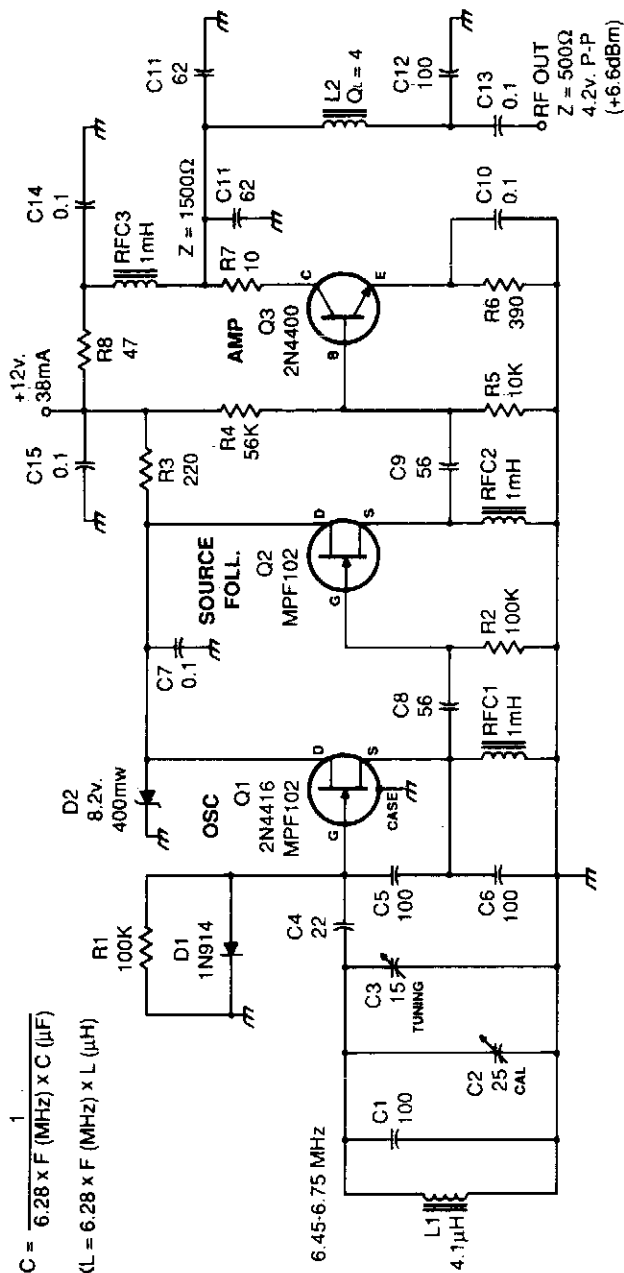
The sources of the following circuits are contained in the Sources section, which begins on page 675. The figure number in the box of each circuit correlates to the entry in the Sources section.

6.5-MHz VFO
RF Signal Generator
NE602 RF Oscillator Circuits
A Shortwave Pulsed-Marker Oscillator
Ham Band VFO

6.5-MHz VFO

$$XC = \frac{1}{6.28 \times F \text{ (MHz)} \times C \text{ (\mu F)}}$$

$$XL = 6.28 \times F \text{ (MHz)} \times L \text{ (\mu H)}$$



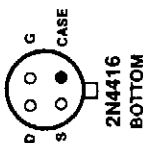
Schematic diagram of the VFO. Fixed-value capacitors are disc ceramic. C1, C4, C5, C6, and C8 are NP0 ceramic or polystyrene. C2 is a 25-pF ceramic trimmer and C3 is a 15-pF miniature air variable. Resistors are 1/4 watt carbon film or composition. The RF chokes are miniature Mouser Electronics No. 43LR103 units. For L1 use 32 turns of No. 28 enamel wire on an Amidon Assoc. T50-6 (yellow) toroid. L2 has 25 turns of No. 28 enamel wire on an Amidon FT-37-61 ferrite toroid.



2N4400



MPF102



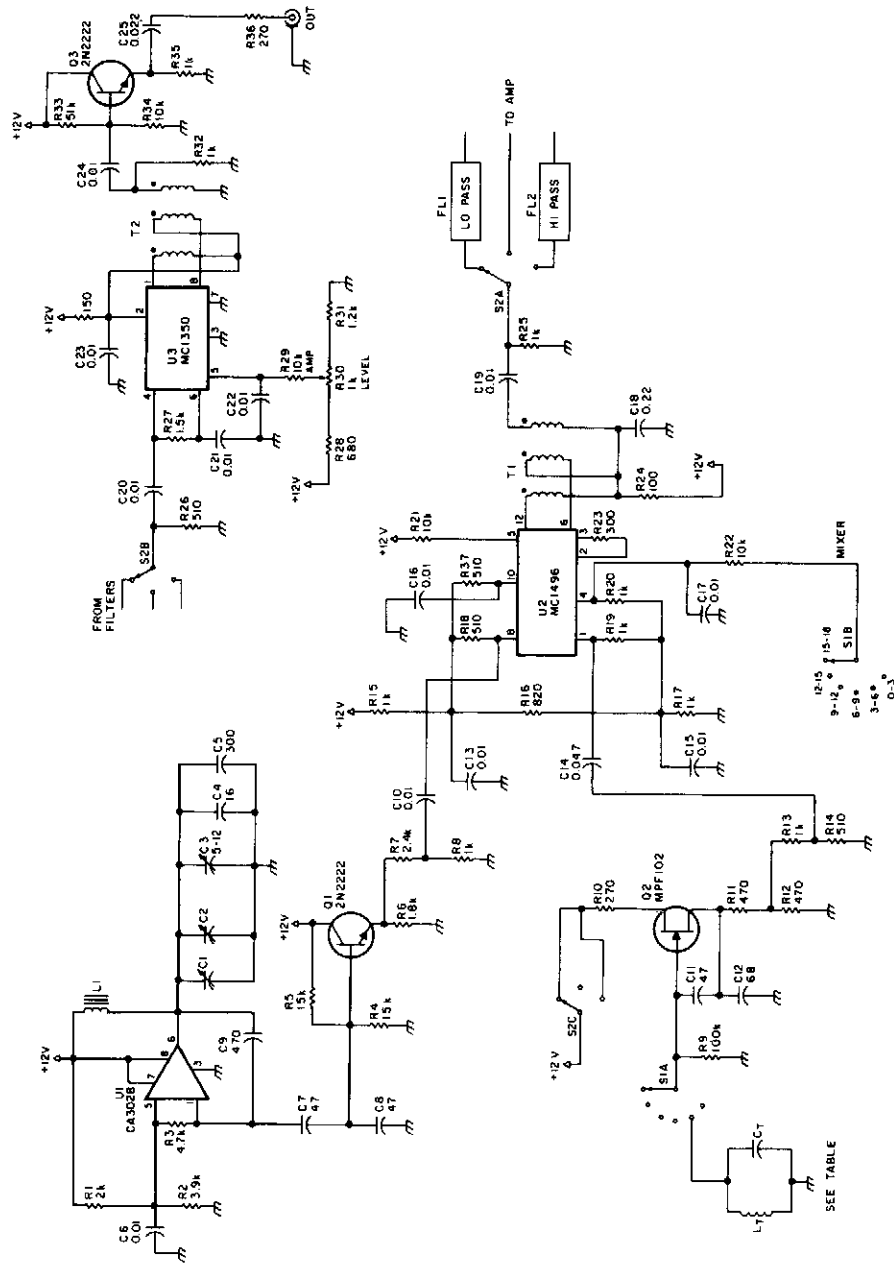
2N4416
BOTTOM

QST

FIG. 87-1

Fixed-value capacitors are disc ceramics. C1, C4, C5, C6, and C8 are NP0 ceramic or polystyrene. C2 is a 25-pF ceramic trimmer and C3 is a 15-pF miniature air variable capacitor. The resistors are 1/4-W carbon film or composition. The RF chokes are miniature Mouser Electronics No. 43LR103 units. For L1, use 32 turns of #28 enamel wire on an Amidon Assoc. T50-6 (yellow) toroid. L2 has 25 turns of #28 enamel wire on an Amidon Ft-37-61 ferrite toroid.

RF SIGNAL GENERATOR

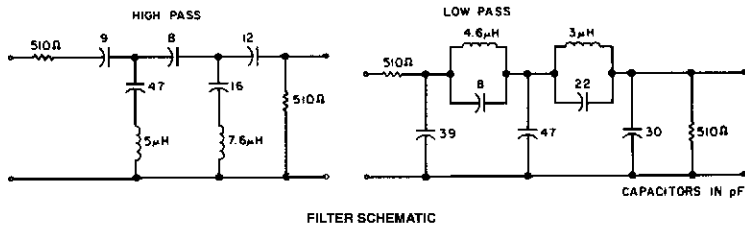


73 AMATEUR RADIO TODAY

FIG. 87-2A

This circuit uses a VFO operating from 15 to 18 MHz (U1), which feeds a balanced mixer (U2). A fixed oscillator signal is mixed with this signal to generate an output from 0.4 to 33 MHz. FL1 and FL2 are low- and high-pass filters that are used to eliminate undesired mixer products. Amplifier U3/Q3 supplies up to 200 mV rms to the output jack.

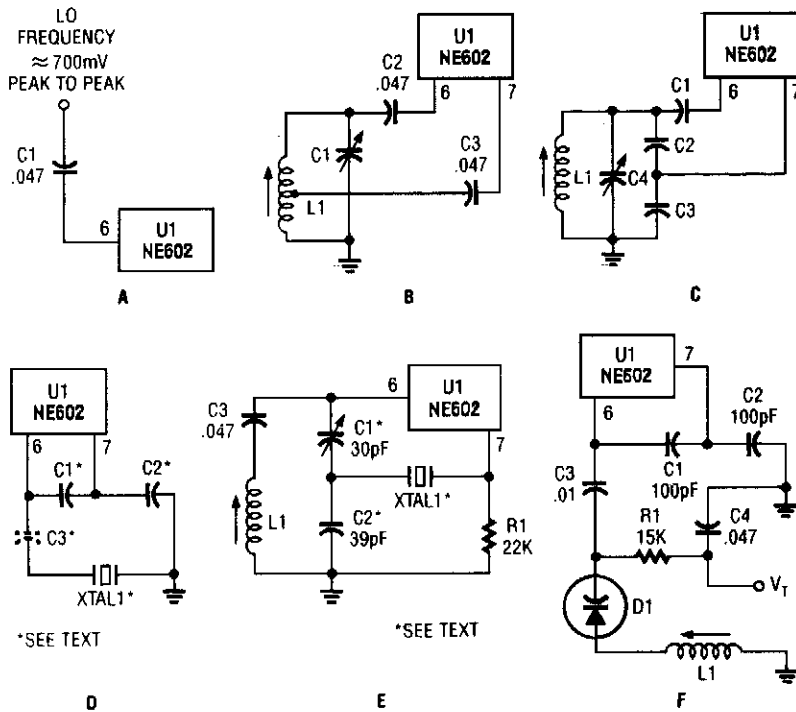
RF SIGNAL GENERATOR (Cont.)



73 AMATEUR RADIO TODAY

FIG. 87-2B

NE602 RF OSCILLATOR CIRCUITS

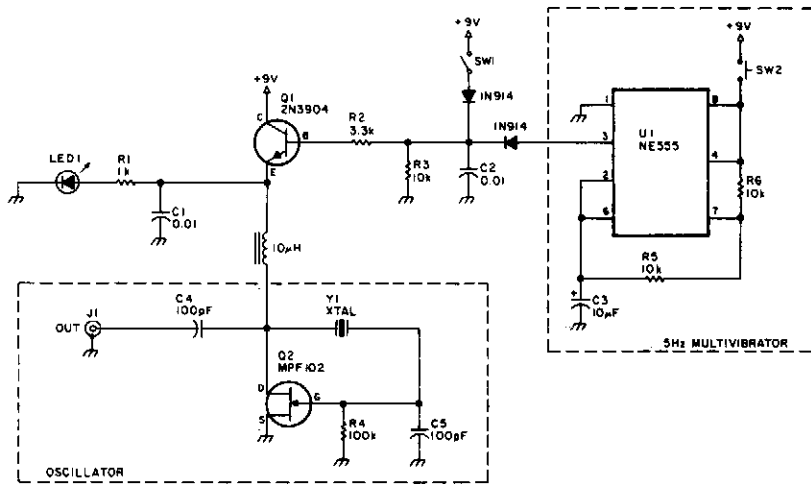


POPULAR ELECTRONICS

FIG. 87-3

Just about any standard oscillator (such as a Colpitts or Hartley configuration) can be used to generate the LO (local oscillator) frequency needed by the NE602.

A SHORTWAVE PULSED-MARKER OSCILLATOR

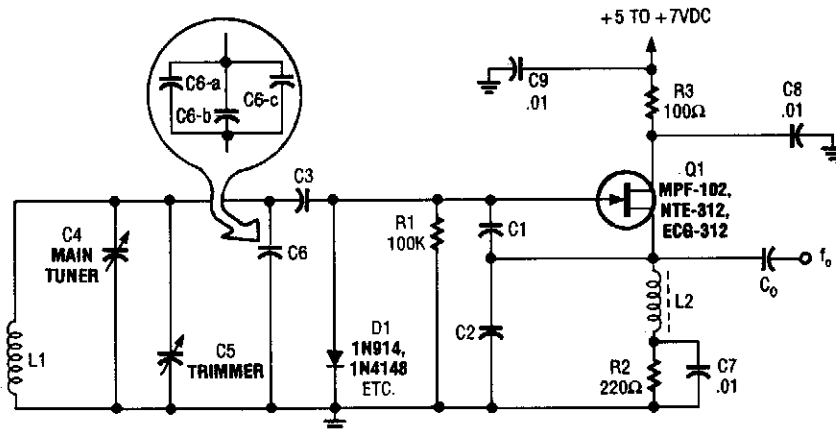


73 AMATEUR RADIO TODAY

FIG. 87-4

A useful marker oscillator can be made using an NE555 to pulse the oscillator at an audio rate. This makes it easy to find the signal in the presence of interference. The crystal can be any suitable frequency from 1 to 30 MHz.

HAM BAND VFO



POPULAR ELECTRONICS

FIG. 87-5

This basic VFO for the 3- to 6-MHz range is commonly used in amateur applications, using a Colpitts circuit. For 5 to 5.5 MHz, $C_1 = C_2 = 70$ pF and for 3.5 to 4.0 MHz, use 1000 pF. C_3 is typically 10 to 220 pF, depending on the frequency. C_4 , C_5 , and C_6 , together with C_3 , determine the frequency along with L_1 . C_6 can be made up of several smaller values, paralleled to get the exact required value.

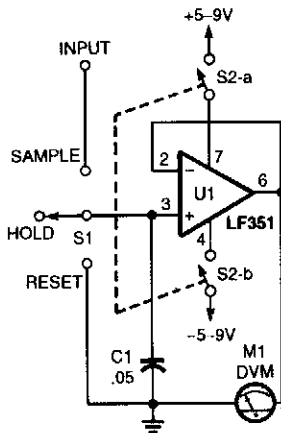
88

Sample-and-Hold Circuits

The sources of the following circuits are contained in the Sources section, which begins on page 675. The figure number in the box of each circuit correlates to the entry in the Sources section.

Sample-and-Hold Circuit I
Sample-and-Hold Circuit II

SAMPLE-AND-HOLD CIRCUIT I

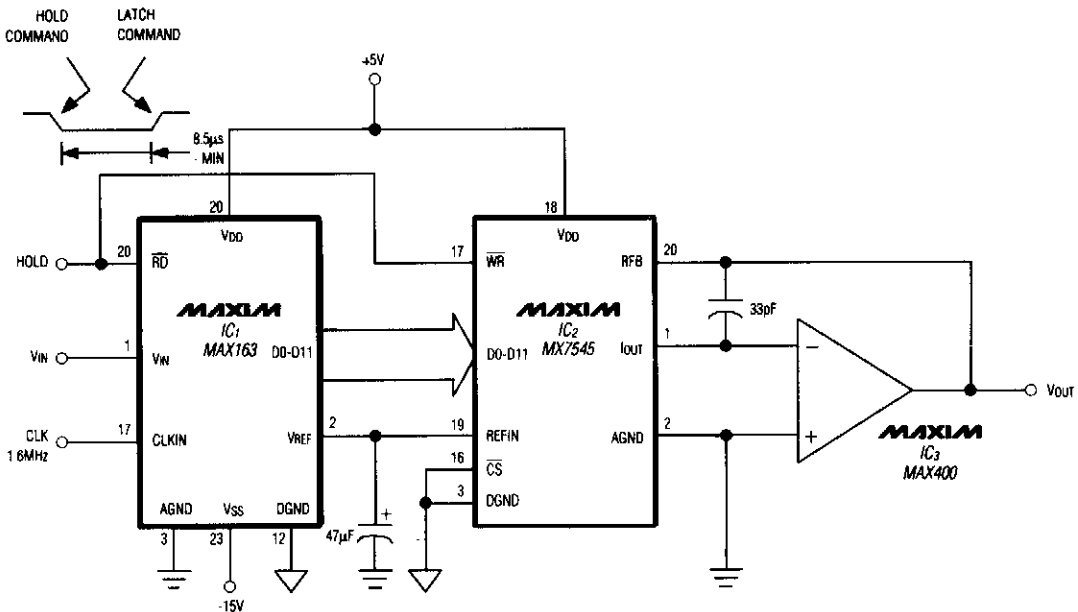


This circuit demonstrates the principle of the sample-and-hold circuit. S1 can be replaced by electronic switches (FET, etc.) in an actual application.

POPULAR ELECTRONICS

FIG. 88-1

SAMPLE-AND-HOLD CIRCUIT II



MAXIM ENGINEERING JOURNAL

FIG. 88-2

Driving a D/A converter with an A/D converter provides an overall analog-hold function, which though limited in output resolution, offers zero voltage droop and infinite hold time. The A/D converter shown (IC1) includes a 12-bit compatible track/hold at its input. The track/hold specifies a 6-MHz full-power bandwidth, a 30-ns aperture delay, and a 50-ps aperture jitter. The direct connections shown allow the D/A converter to reconstruct signal levels within the input range of 0 to 5 V.

89

SCA Circuit

The source of the following circuit is contained in the Sources section, which begins on page 675. The figure number in the box of the circuit correlates to the entry in the Sources section.

Subcarrier Adapter for FM Tuners

SUBCARRIER ADAPTER FOR FM TUNERS

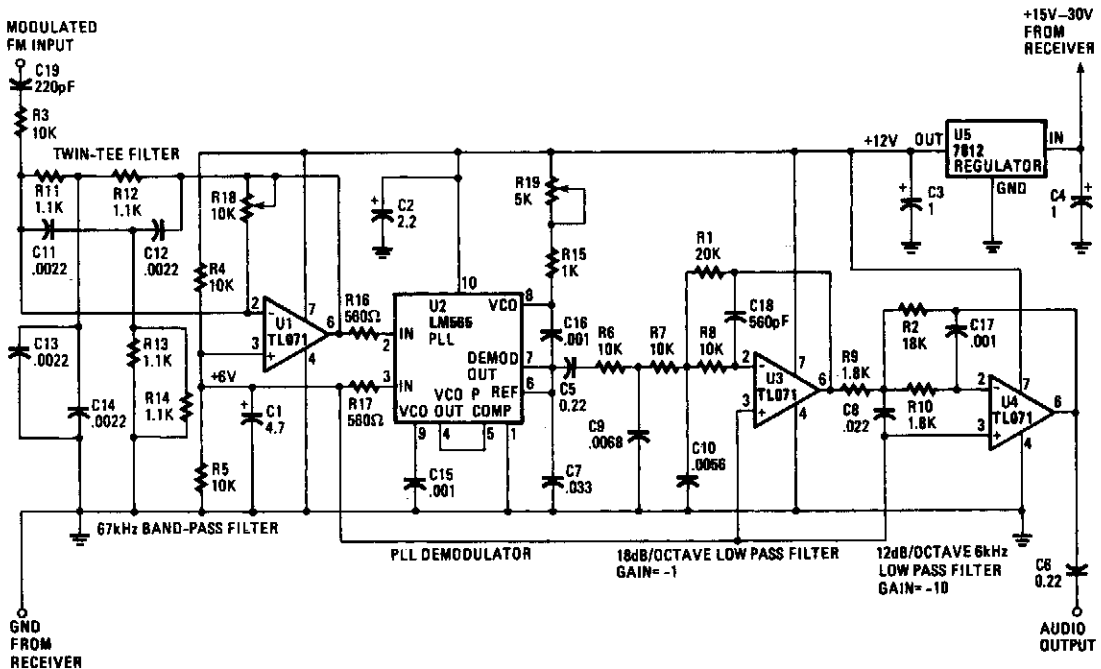


FIG. 89-1

Op amp U1 and its associated components comprise the 67-kHz bandpass filter. A twin-T network, comprised of four 1100-Ω resistors and four 0.0022-μF capacitors, is connected in the feedback network of the op amp. That gives some gain at 67 kHz and heavy attenuation for frequencies above and below that frequency.

An additional passive filter at the input to the twin-T network (containing a 220-pF capacitor and a 10,000-Ω resistor) provides some additional roll-off for frequencies below 67 kHz.

In practice, the bandpass-filter action covers a frequency range of about 10 kHz above and below the 67-kHz center frequency. Resistor R18 sets the gain of the bandpass-filter stage.

Integrated-circuit U2 is a National LM565 phase-locked loop that modulates the 67-kHz frequency-modulated (FM) signal from U1. The LM565 PLL consists of a voltage-controlled oscillator (VCO) set to 67 kHz, and a comparator that compares the incoming frequency-modulated 67-kHz signal at pin 2 with the VCO signal that is fed into pin 5.

The output of the comparator represents the phase difference between the incoming signal and the VCO signal. Therefore, the output is the audio modulated by the subcarrier. A treble deemphasis of 150 μs is provided by a 0.033-μF capacitor (at pin 7).

The free-running VCO frequency is determined by the 0.001-μF capacitor at pin 9 and by the resistance between the positive rail and pin 8 (100 Ω in series with R19). Variable-resistor R19 adjusts the oscillator frequency (also known as the *center frequency*) so that the incoming signal is within the lock range of the PLL.

90

Shutdown Circuits

The sources of the following circuits are contained in the Sources section, which begins on page 675. The figure number in the box of each circuit correlates to the entry in the Sources section.

Resettable Shutdown Circuits
Shutdown Circuit

RESETTABLE SHUTDOWN CIRCUITS

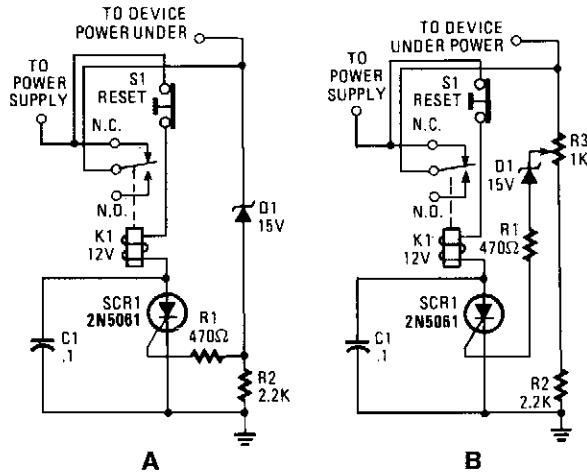


FIG. 90-1

POPULAR ELECTRONICS

If your circuits experience frequency overvoltage conditions, continually replacing blown fuses can get pretty expensive. However, this shutdown circuit overcomes that deficiency by replacing the fuse with a relay and a low-current SCR.

When the input voltage rises above the threshold set by the Zener diode (D1), a current of sufficient magnitude is applied to the gate of SCR1, which turns it on. That draws current through the relay coil and energizes it, which swings its commutator to its normally open contact, and disrupts power to the circuit under power. Switch S1, a normally closed pushbutton switch, is used to reset the circuit; it does so by interrupting power to the relay. When S1 is pressed, the relay's wiper arm returns to the normally closed position, restoring power to the connected circuit.

If you deal with a number of circuits that have different burn-out levels, try the circuit in B. That circuit variation, a variable trip-point shutdown circuit, allows you to adjust the shutdown threshold to whatever level you desire. The circuit adjustment allows for the 30% variance in the trip point. The zener diode should be selected to have a voltage rating that is slightly lower than the minimum desired threshold voltage.

SHUTDOWN CIRCUIT

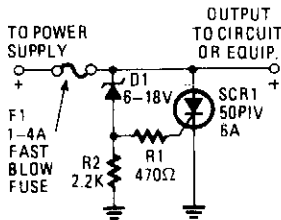


FIG. 90-2

POPULAR ELECTRONICS

Many modern devices have shutdown circuits that are designed to remove power from the device under power when the voltage rises above a predetermined threshold. This one blows a fuse to protect the device under power.

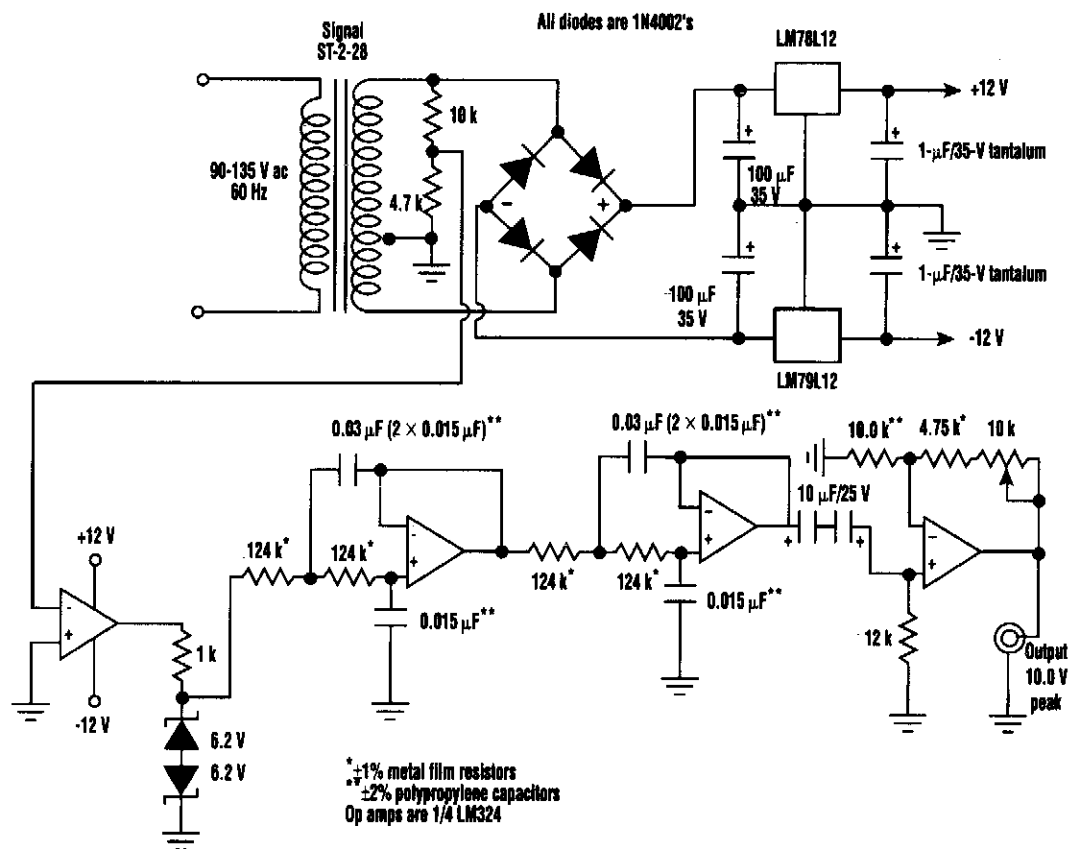
91

Sine-Wave Oscillator Circuits

The sources of the following circuits are contained in the Sources section, which begins on page 675. The figure number in the box of each circuit correlates to the entry in the Sources section.

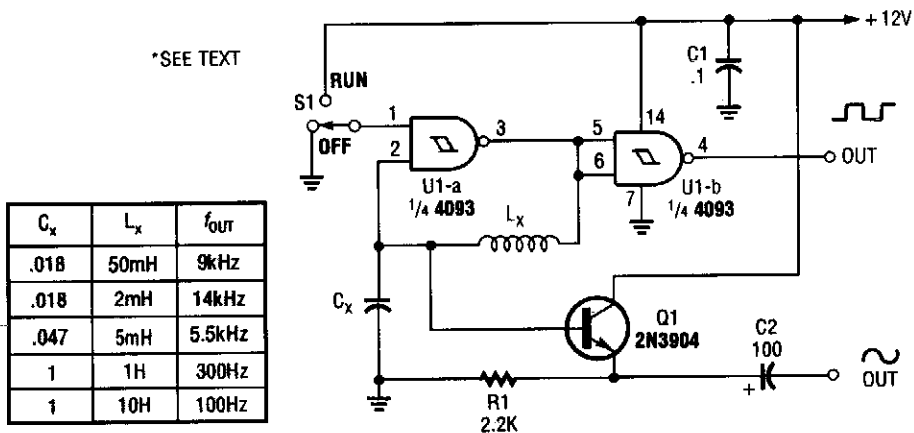
Highly Stable 60-Hz Sine-Wave Source
Simple Sine-Wave Oscillator
Wien-Bridge Sine-Wave Oscillator
Battery-Powered Sine-Wave Generator
1-Hz Sine-Wave Oscillator
Simple Sine-Wave Generator
Sine-Wave Generator
Sine-Wave Shaper
Pure Sine-Wave Generator

HIGHLY STABLE 60-Hz SINE-WAVE SOURCE



A highly-stable 60-Hz sine wave can be delivered with this circuit, which offers a different and much simpler approach to gaining a stable amplitude. Capacitor coupling the last stage removes any dc component caused by unequal zener voltages in the clipping circuit that follows the comparator.

SIMPLE SINE-WAVE OSCILLATOR

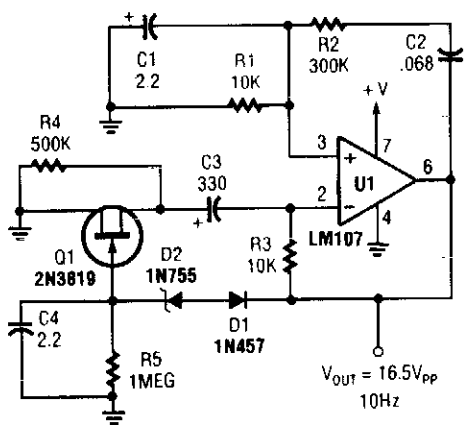


POPULAR ELECTRONICS

FIG. 91-2

Using an LC circuit, this CMOS oscillator generates sine waves.

WIEN-BRIDGE SINE-WAVE OSCILLATOR

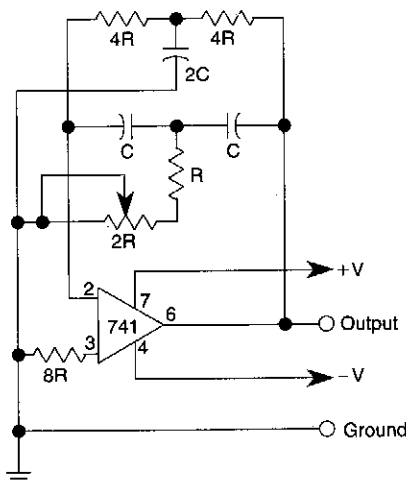


POPULAR ELECTRONICS

FIG. 91-3

This Wien-bridge sine-wave oscillator uses a 2N3819 as an amplitude stabilizer. The 2N3819 acts as a variable-resistance element in the Wien bridge.

BATTERY-POWERED SINE-WAVE GENERATOR



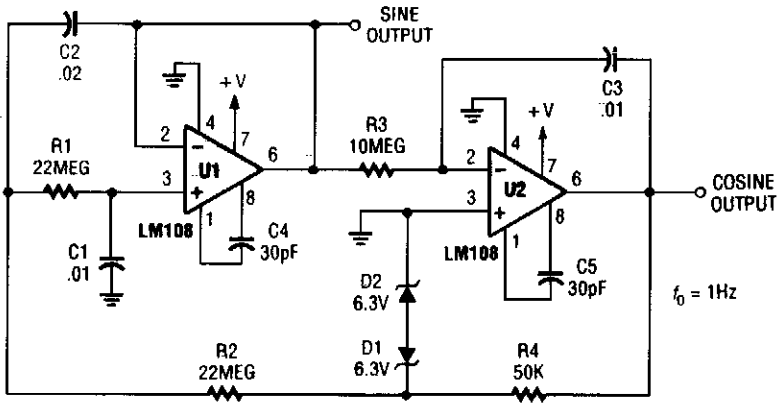
ELECTRONICS NOW

FIG. 91-4

The quality of the sine wave depends on how closely you match the components in the twin-T network in the op amp's feedback loop.

$$f = \frac{1}{2\pi RC}$$

1-Hz SINE-WAVE OSCILLATOR

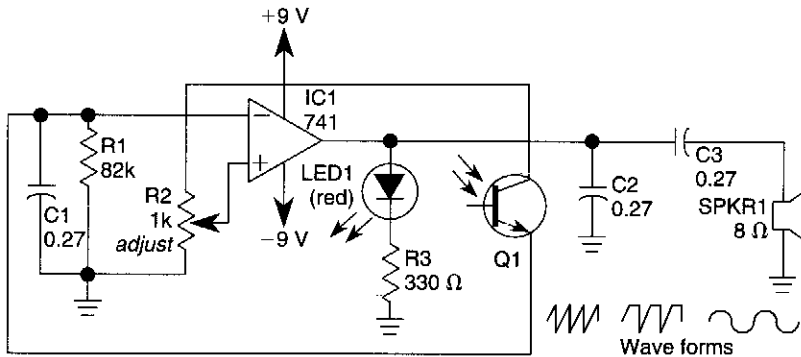


POPULAR ELECTRONICS

FIG. 91-5

This circuit produces a 1-Hz sine wave using two op amps. A single-chip dual op amp could be used as well.

SIMPLE SINE-WAVE GENERATOR



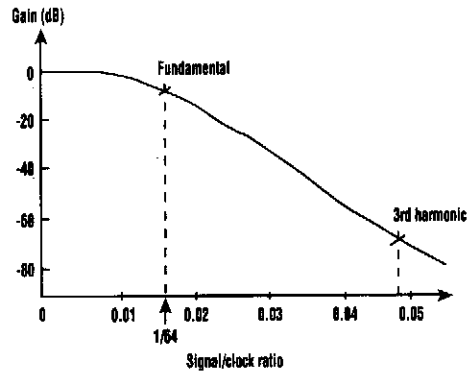
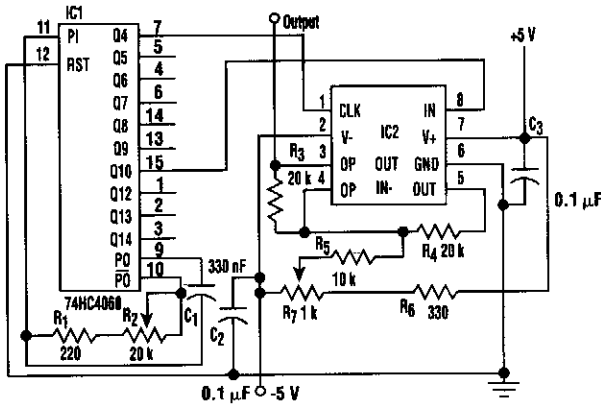
R-E EXPERIMENTERS HANDBOOK

FIG. 91-6

A 555 timer operating in the astable mode generates the driving pulses and two 4518 dual BCD (binary coded decimal) counters provide the square waves. A TL081 op amp serves as an output buffer-amplifier, and potentiometers R1 and R2 are used in order to control the pulse's frequency and amplitude, respectively.

The output-frequency range can be varied by changing C_x . For example, a value of $0.1\ \mu\text{F}$ gives a range from about 0.1 to 30 Hz, and a value of 470 pF gives a range from about 10 Hz to 1.5 kHz. The maximum output frequency is 30 kHz.

SINE-WAVE GENERATOR

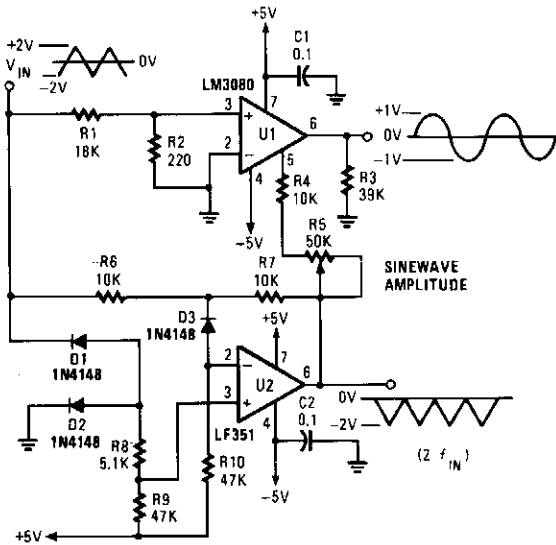


ELECTRONIC DESIGN

FIG. 91-7

In this circuit, a square wave is filtered by a high-order low-pass filter so that a -3 -dB frequency will eliminate most harmonics of the waveform. As a result, the filter outputs a fundamental sine wave. This method is applied to generate a sine wave by using a switched-capacitor filter (MAX292) (see the figure). This circuit offers wide frequency range (0.1 Hz to 25 kHz), low distortion, and constant output amplitude throughout the whole frequency range.

SINE-WAVE SHAPER

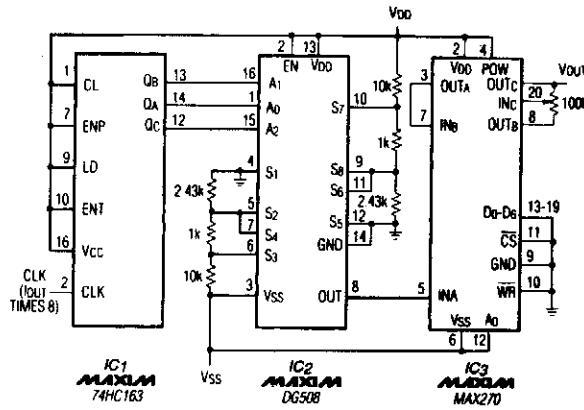


Unlike most sine-wave shapers, this circuit is temperature stable. It varies the gain of a transconductance amplifier to transform an input triangle wave into a good sine-wave approximation.

POPULAR ELECTRONICS

FIG. 91-8

PURE SINE-WAVE GENERATOR



NOTES:
VDD TYPICALLY IS 5V
VSS TYPICALLY IS -5V

A TTL counter, an 8-channel analog multiplexer, and a fourth-order low-pass filter can generate 10- to 25-kHz sine waves with a THD better than -80 dB. The circuit cascades the two second-order, continuous-time Sallen-Key filters within IC3 to implement the fourth-order low-pass filter.

To operate the circuit, choose the filter's cutoff frequency, f_C , by tying IC3's D_0 through D_6 inputs to 5 V or ground. The cutoff frequency can be at 128 possible levels between 1 and 25 kHz, depending on those seven digital input levels. Because the circuit ties D_0 through D_6 to ground, f_C equals 1 kHz. The 100-kΩ potentiometer adjusts the output level between $V_{DD} - 1.5$ V and $V_{SS} + 1.5$ V.

92

Sound- and Voice-Controlled Circuits

The sources of the following circuits are contained in the Sources section, which begins on page 675. The figure number in the box of each circuit correlates to the entry in the Sources section.

- Vocal Stripper
- Sleep-Mode Circuit
- Sonic Kaleidoscope
- Automatic Fader
- Voice Identifier for Ham Radio Use
- Whistle Switch
- Audio Light
- Voice-Activated Switch and Amplifier
- Audio-Controlled Switch
- Speech Scrambler
- Audio-Controlled Mains Switch

VOCAL STRIPPER

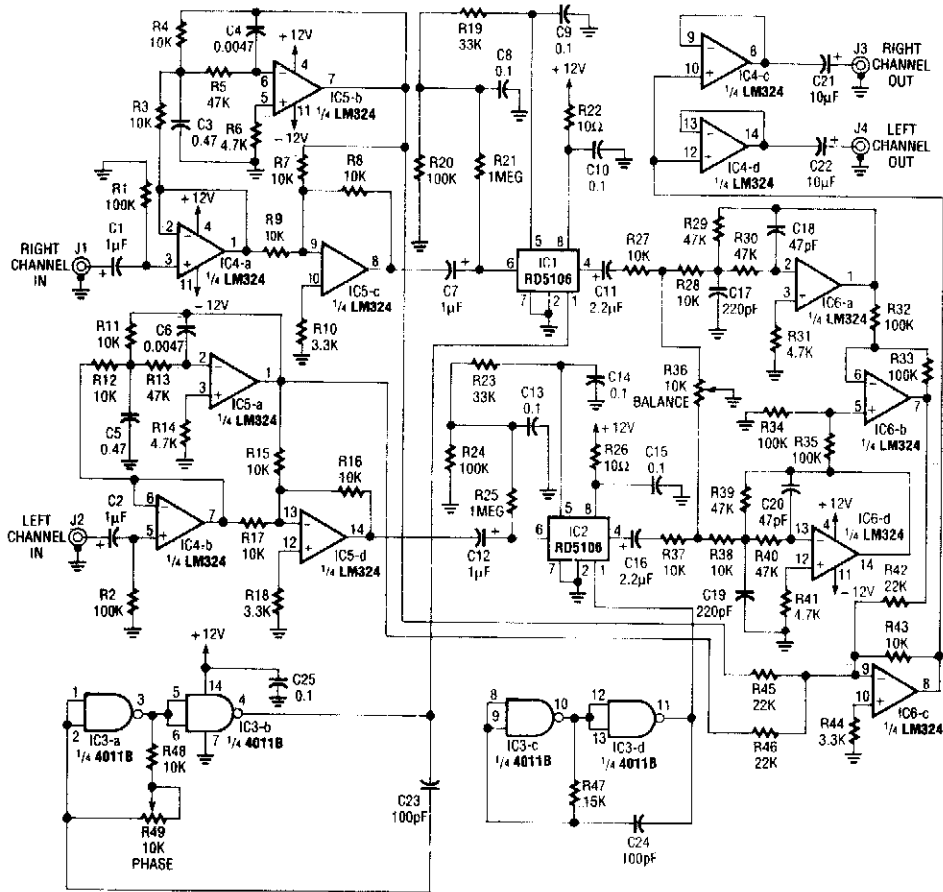


FIG. 92-1A

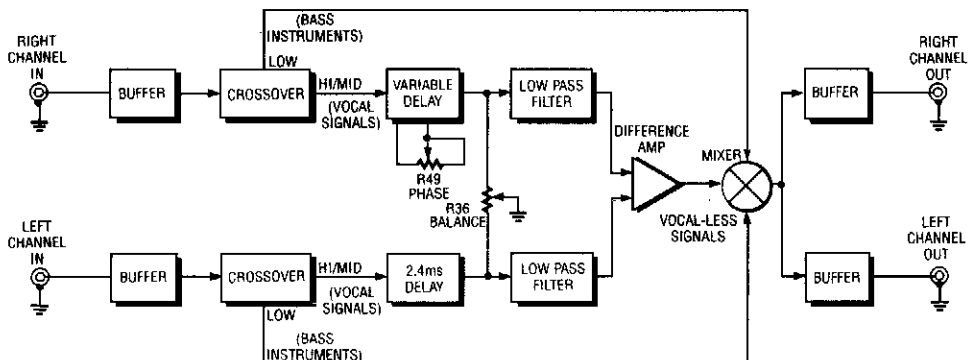


FIG. 92-1B

VOCAL STRIPPER (Cont.)

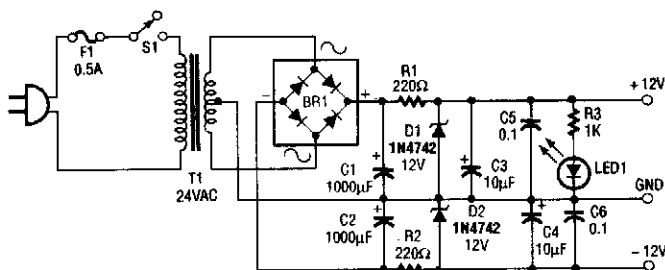
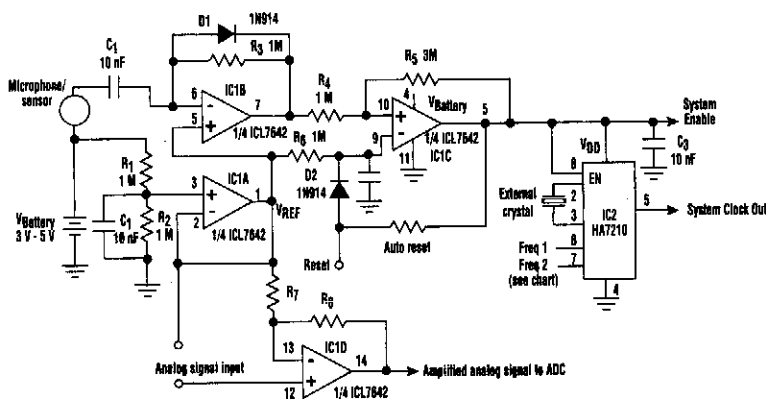


FIG. 92-1C

Right- and left-channel signals pass through IC4-a and -b buffer amps into active crossover IC5; low frequencies are sent to the IC6-c mixer, and middle and high frequencies are sent to the analog delay lines of IC1 and IC2. That output passes through IC6-a and -d to filter high-frequency sample steps. IC6-b signals are remixed with low frequencies by IC6-c and are sent to final out via IC4-c and -d buffers.

One channel (R) is a variable-delay circuit, using an analog bucket-brigade device and a variable clock frequency. This is compared in amplitude and phase to the L channel (fixed delay). The local can therefore be nulled out via R36.

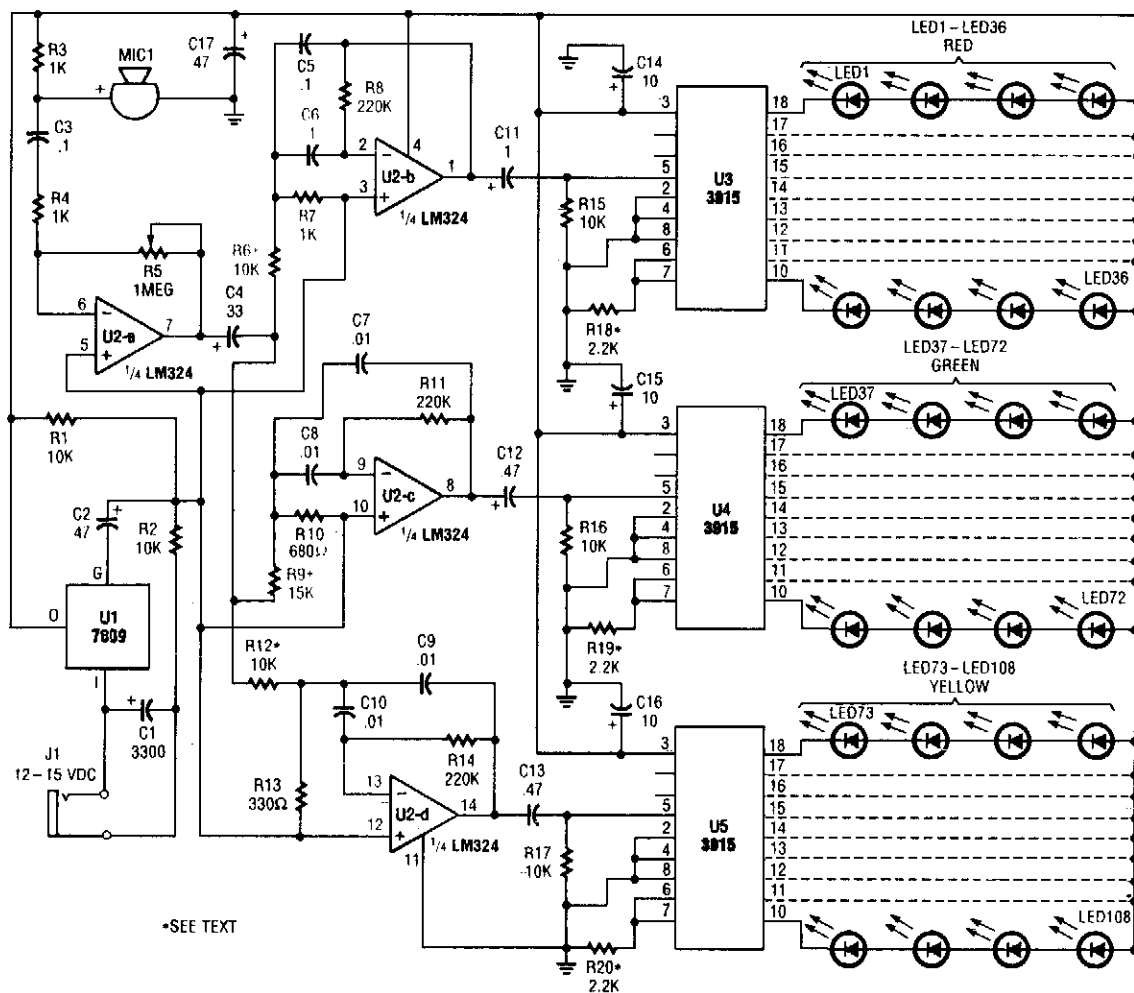
SLEEP-MODE CIRCUIT



HA7210 OSCILLATOR CONTROL INPUTS			
Enable	Freq 1	Freq 2	Output range
1	1	1	10 kHz-100 kHz
1	1	0	100 kHz-1 MHz
1	0	1	1 kHz-5 MHz
1	0	0	5 MHz-10 MHz +
0	X	X	High impedance

The HA7210 oscillator IC combines with an ICL7642 quad CMOS op amp to produce a sleep-mode control circuit. The circuit is put into the sleep mode with a logic high applied to the Reset input or with an RC timer for automatic reset. The system is awakened by a signal from the microphone/sensor.

SONIC KALEIDOSCOPE



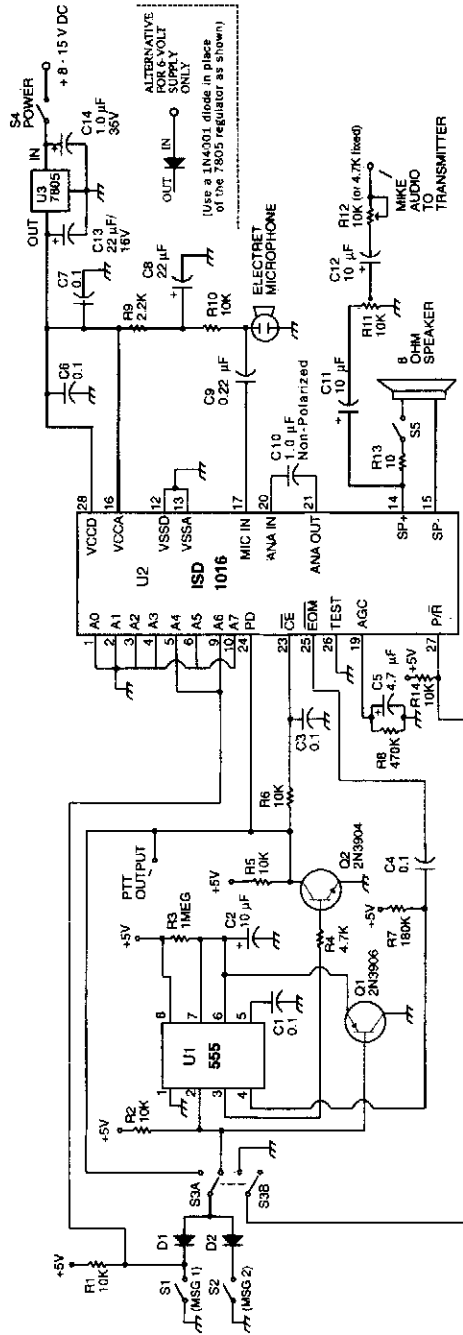
POPULAR ELECTRONICS

FIG. 92-3

The microphone input, MIC1, is fed through C3 and R4 to inverting amplifier U2-a; the gain of U2-a is controlled by potentiometer R5. The output of U2-a is fed through C4 to the remaining op-amps (U2-b, U2-c, U2-d), which are all configured as band-pass filters. Each filter is tuned to pass a different range of frequencies by its resistor/capacitor combination. With the values shown, U2-b, U2-c, and U2-d have center frequencies of roughly 100, 1000 and 1500 Hz, respectively.

Resistors R6, R9, R12 control the bandwidth and gain of their respective filter circuits, and can range in value from 10 to 15 k Ω . The output of U2-b is capacitively coupled via C11 to the input of U3, with R15 serving as the load resistor for U2-b. That resistor also keeps U3's outputs from "floating" in the absence of a signal. Connected as shown, U3 uses its own internal voltage reference to make a full-scale display of 1.2 V.

VOICE IDENTIFIER FOR HAM RADIO USE

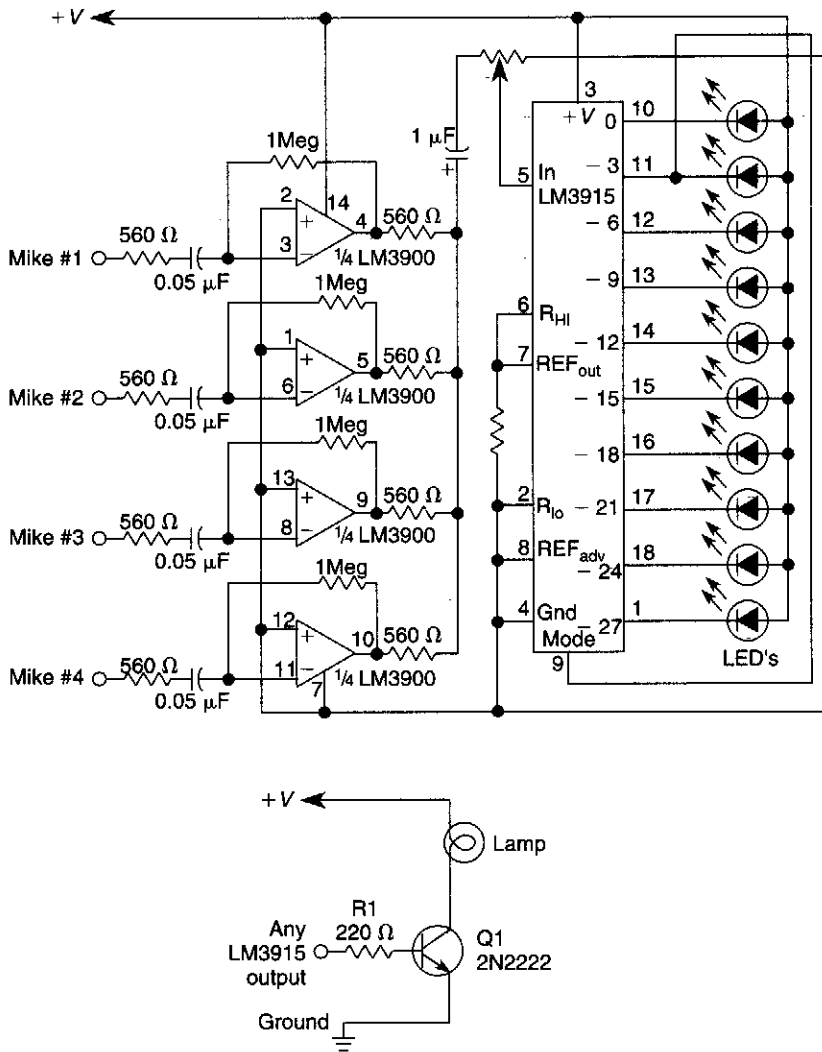


73 AMATEUR RADIO TODAY

FIG. 92-5

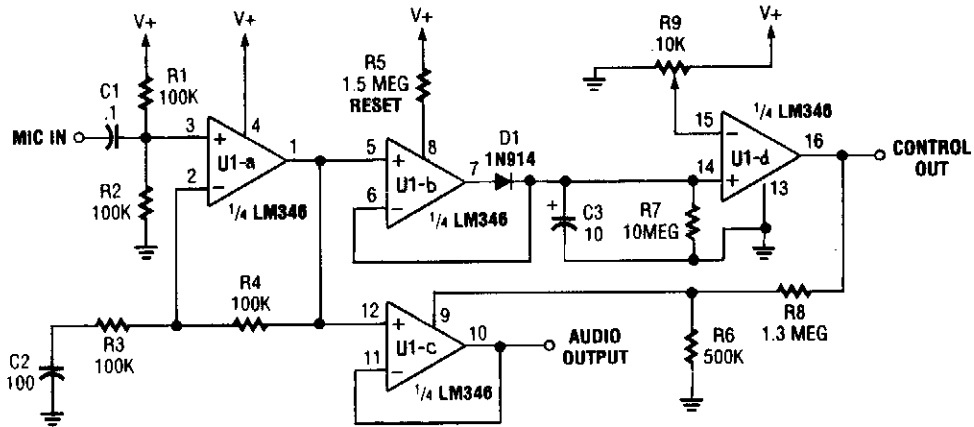
Using an ISD1016 audio record/playback chip (Information Storage Devices, Inc.), this circuit records and plays back messages on command. Although intended for use with transmitters, it can be used as an electronic notepad, etc. Consult the ISD1016 data sheet for other applications.

AUDIO LIGHT



This circuit will produce an output when the sound exceeds a preset level. The LM3915 is a log-output bar graph driver. Use the transistor driver shown for higher current loads. To drive heavy-current loads with an LM3915 output, you must add a transistor, as shown in B.

VOICE-ACTIVATED SWITCH AND AMPLIFIER

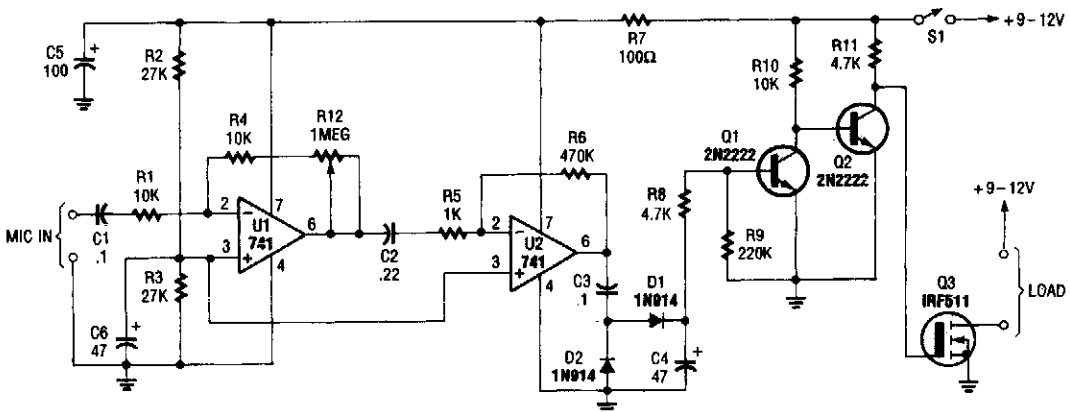


POPULAR ELECTRONICS

FIG. 92-8

In certain applications, such as transmitter or other communications and control applications, this circuit should be useful. Both audio output and dc control outputs are provided. R9 sets the control threshold.

AUDIO-CONTROLLED SWITCH

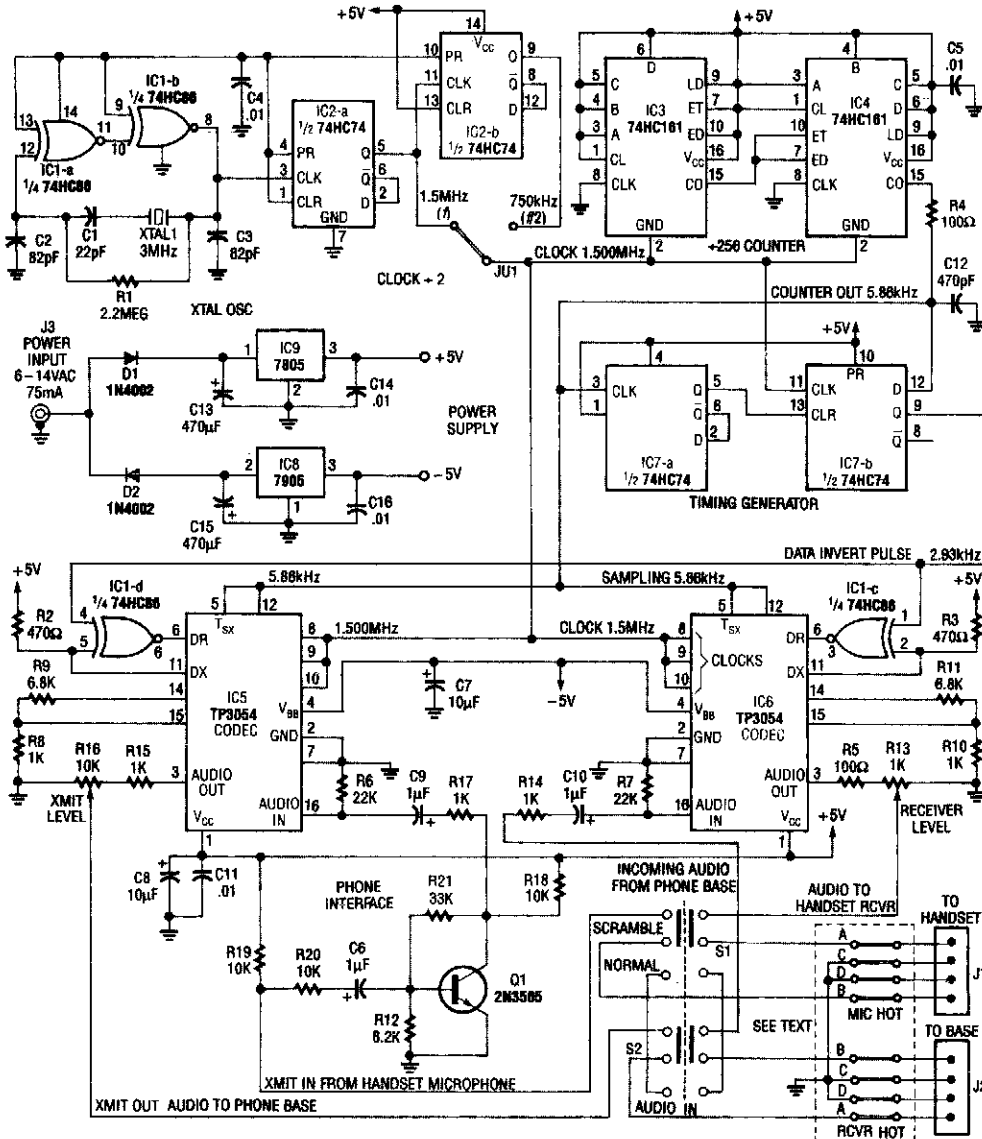


POPULAR ELECTRONICS

FIG. 92-9

The audio-controlled switch combines a pair of 741 op amps, two 2N2222 general-purpose transistors, a hexFET, and a few support components to a circuit that can be used to turn on a tape recorder, a transmitter, or just about anything that uses sound.

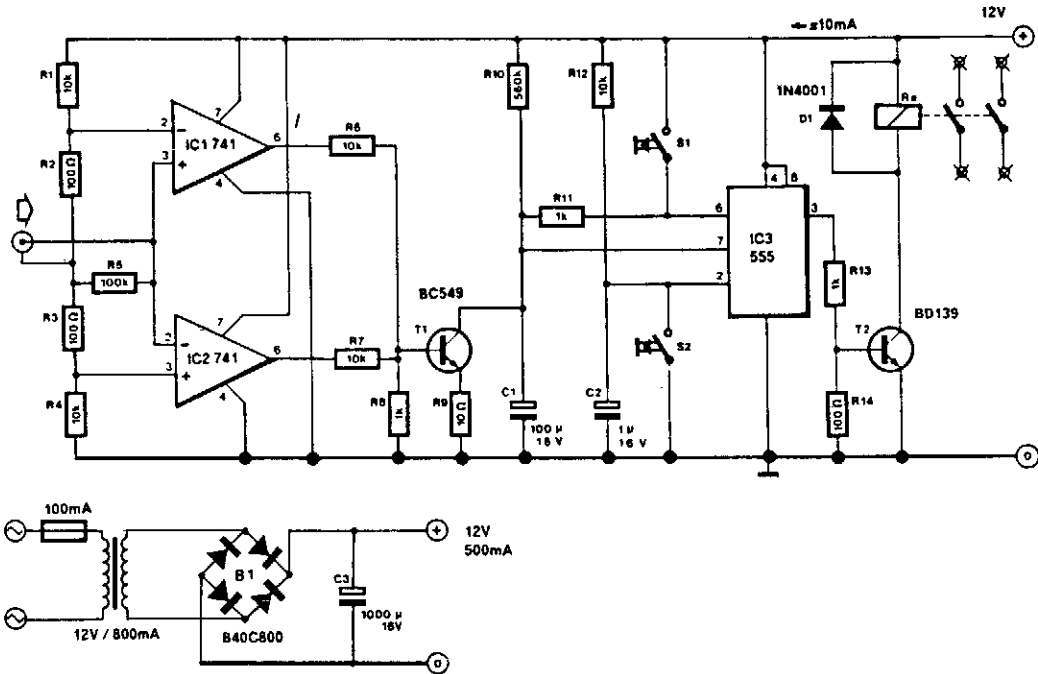
SPEECH SCRAMBLER



Using digital techniques, this circuit accomplishes the frequency-inversion algorithm via digitization of the audio, inversion of the sign of every alternate sample, and D/A conversion of the resultant data. The result is an inverted frequency spectrum. Because the circuit has two channels, this system can be used in a full duplex two-way telephone scrambler.

A complete kit of parts is available from North Country Radio, P.O. Box 53, Wykagyl Station, New Rochelle, NY 10804-0053A.

AUDIO-CONTROLLED MAINS SWITCH



303 CIRCUITS

FIG. 92-11

This circuit will switch off the line supply to audio or video equipment if there has been no input signal for about 2 seconds. S1 provides manual operation and S2 acts as a reset. This circuit allows for time to change a tape or compact disc. About 50 mV of audio signal is necessary.

93

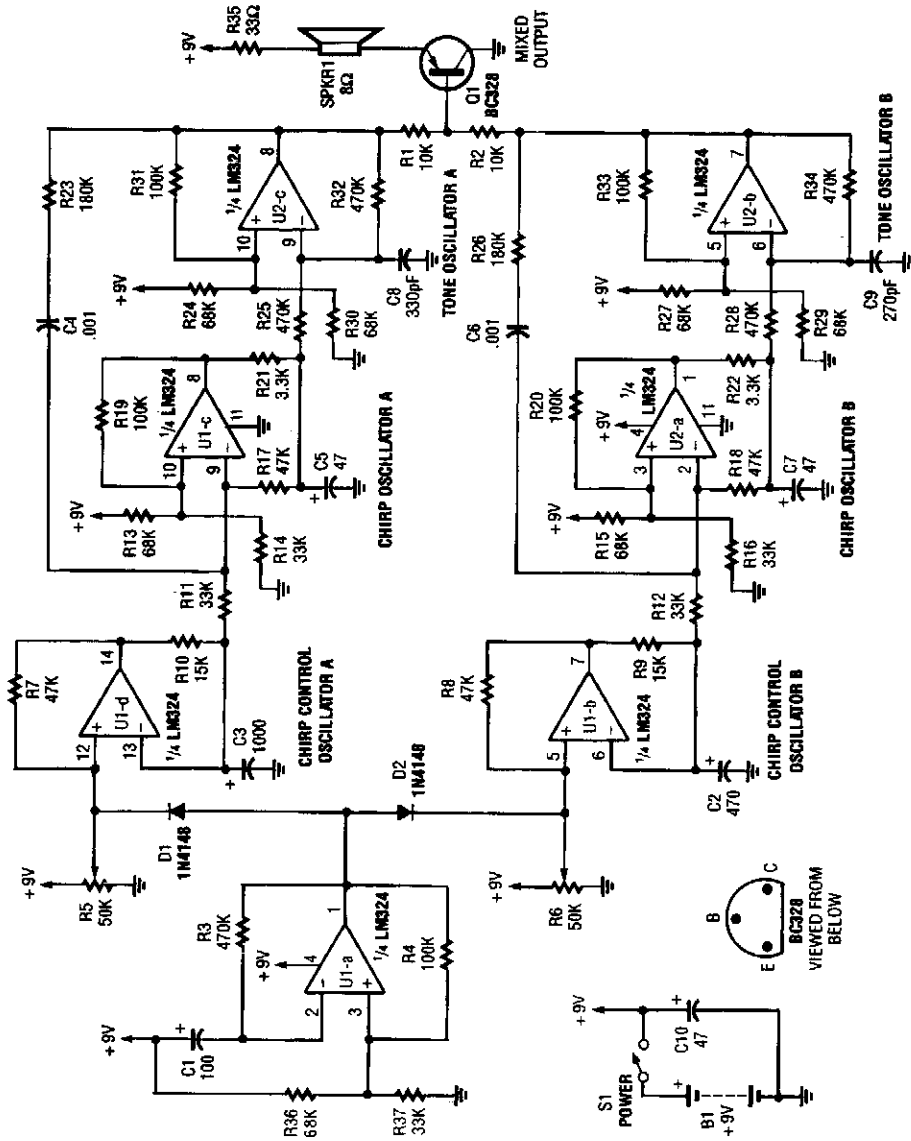
Sound-Effects Circuits

The sources of the following circuits are contained in the Sources section, which begins on page 675. The figure number in the box of each circuit correlates to the entry in the Sources section.

Canary Sound Simulator
110-dB Beeper
Siren Alarm
1000-Hz Pulsed-Tone Alarm
Tone Chime
Spaceship Alarm
10-Note Sound Synthesizer
Spacc-Age Sound Machine

Electronic Gong
Alarm Tone Generator
Dual-Tone Sounder
Low-Level Sounder
Sound-Effects Generator
Siren
Simple Multi-Tone Generator
Siren Oscillator

CANARY SOUND SIMULATOR

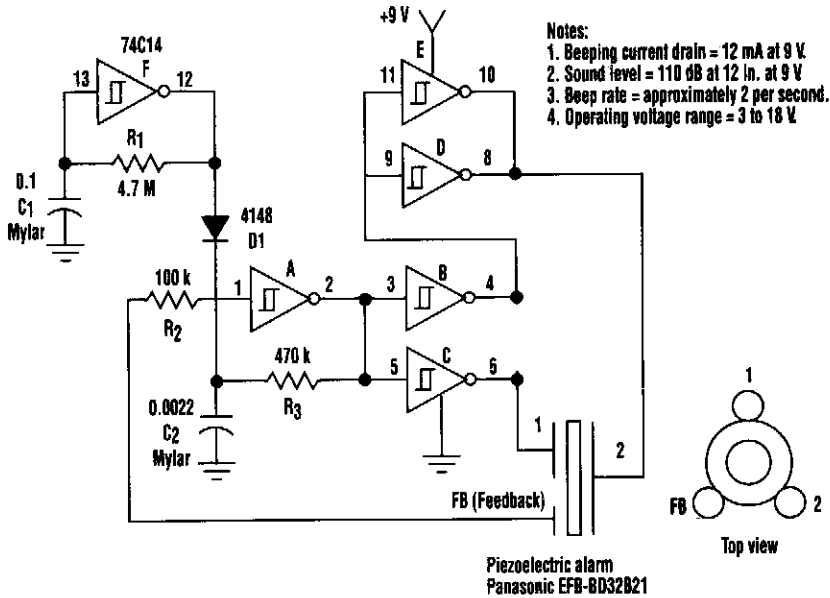


POPULAR ELECTRONICS

FIG. 93-1

This circuit generates the sound of two canaries singing in a cage. Two LM324 quad amps make up seven oscillators. One oscillator is an on/off control, the other six generate the sounds of two canaries. A 9-V supply powers the circuit.

110-dB BEEPER



ELECTRONIC DESIGN

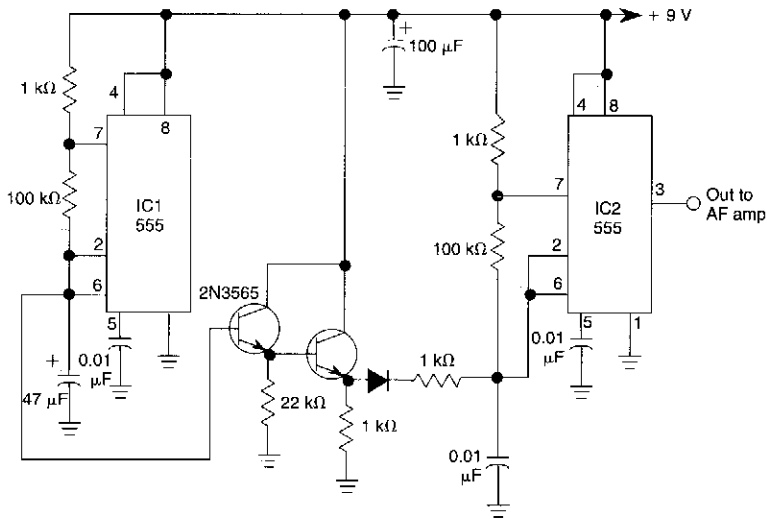
FIG. 93-2

This circuit will generate an ear-splitting 110 dB from 9 V. The setup uses a single 74C14 (CD40106B) CMOS hex inverting Schmitt-trigger IC, which must be used with a piezoelectric device with a feedback terminal. The feedback terminal is attached to a central region on the piezoelectric wafer. When the beeper is driven at resonance, the feedback signal peaks.

One inverter of the 74C14 is wired as an astable oscillator. The frequency is chosen to be 5 times lower than the 3.2 kHz resonant frequency of the piezoelectric device. Feedback from the third pin of the beeper reinforces the correct drive frequency to ensure maximum sound output.

Four other inverter sections of the IC are wired to form two separate drivers. The output of one section is cross-wired to the input of the second section. The differential drive signal that results produces about 18-V p-p when measured across the beeper. The last inverter section is wired as a second astable oscillator with a frequency of about 2 Hz. It gates the main oscillator on and off through a diode. For a continuous tone, the modulation circuit can be deleted.

SIREN ALARM

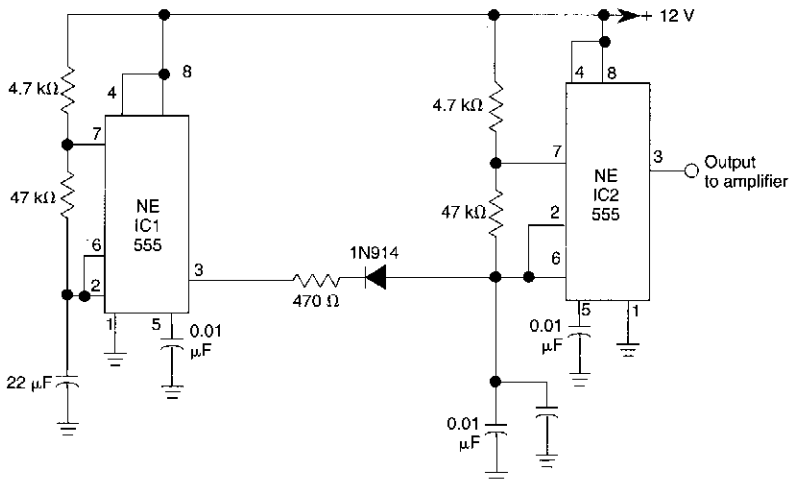


WILLIAM SHEETS

FIG. 93-3

The ramp voltage from the low frequency oscillator IC1 modulates IC2 thereby producing a rising and falling tone like the siren wail of police cars.

1000-Hz PULSED-TONE ALARM

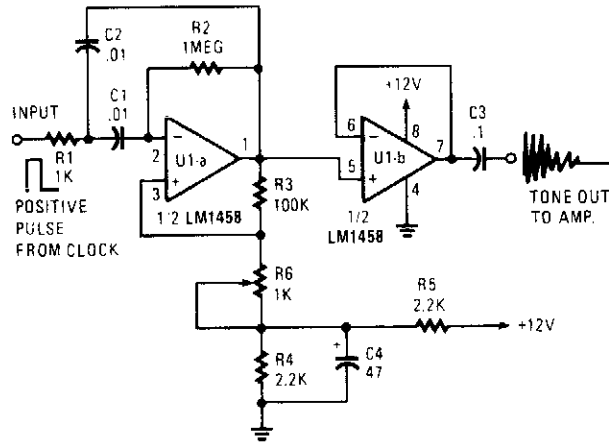


WILLIAM SHEETS

FIG. 93-4

IC1 generates a pulse that modulates the 1000-Hz tone generated by IC2. This circuit can be used to generate warning or alert signals.

TONE CHIME

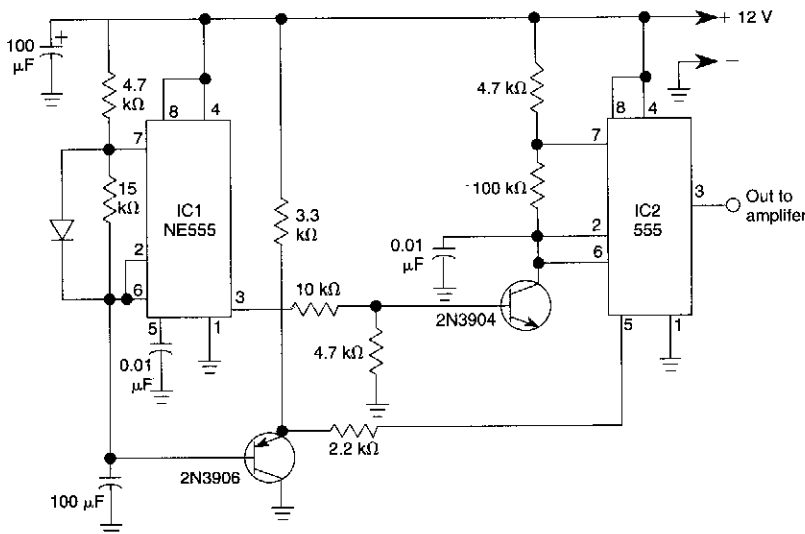


POPULAR ELECTRONICS

FIG. 93-5

A positive pulse input to R1 causes the active filter U1-a to "ring." If the gain is set too high (R6), the circuit will oscillate. R6 controls the positive feedback and the Q of the circuit. C1 and C2 can be changed to adjust the tone frequency.

SPACESHIP ALARM

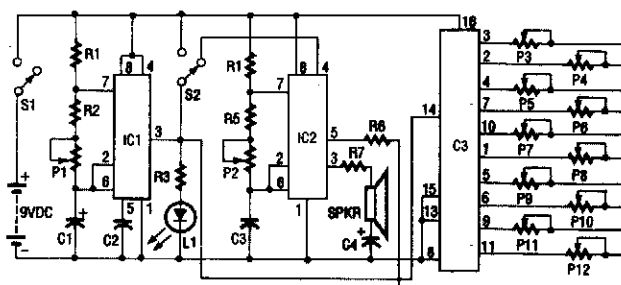


WILLIAM SHEETS

FIG. 93-6

By using two 555 timers this circuit produces a low frequency tone that rises to a high frequency tone in a little over 1 second. Then the sound stops for about 0.3 seconds, thereafter the cycle repeats. To produce the alarm sound of the Star Trek spaceship.

10-NOTE SOUND SYNTHESIZER

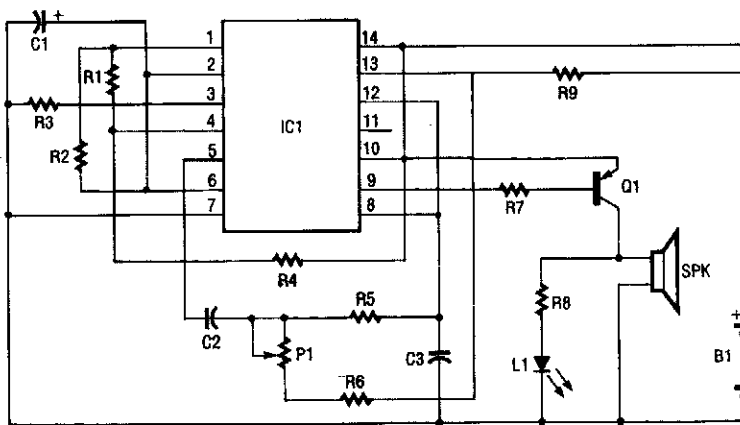


C1	22 μ F	Electrolytic Capacitor
C2	0.01 μ F	Capacitor
C3	0.1 μ F	Capacitor (104k)
C4	10 μ F	Capacitor
IC1, IC2	555	Timer IC
IC3	4017	IC
L1		Red LED
P1-P12	5k	Trimmer Resistor
R1, R3, R4	1k	Resistor
R2	200-ohm	Resistor
R5	4.7k	Resistor
R6	100-ohm	Resistor
R7	15-ohm	Resistor
S1, S2		SPDT Switch

As shown, three ICs are used to produce the sounds. IC1 is a 555 timer that generates clock pulses. It is configured as an astable multivibrator. The frequency of the clock pulses is set by trimmer potentiometer P1. These clock pulses are coupled to the input of IC3 (a 4017 CMOS Johnson counter) on its clock input pin 14. Each clock pulse causes IC3 to shift a "high" to each of its output pins in sequence. A trimmer resistor, which can be adjusted to set a different frequency for each note, is connected to each of IC3's output pins. One side of each of the trimmers is connected to pin 5 (the control voltage pin) of IC2.

IC2, another 555 timer IC, creates the tone; the overall pitch of the tone can be varied by P2. As the output sequences from the 4017, that tone, which is changed in frequency by each output shift is applied to a small speaker from pin 3 of IC2. An LED, which flashes with each clock pulse, is connected to pin 3 of IC1. Switch S2 is used to vary the sound between "flowing" and distinct notes.

SPACE-AGE SOUND MACHINE



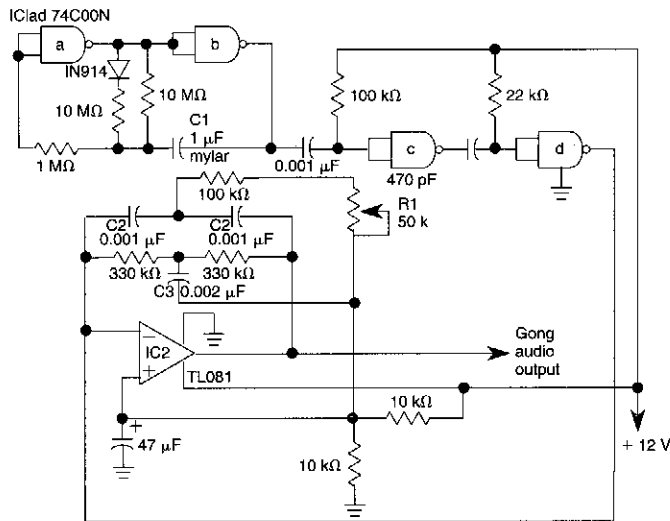
- C1 1 μ F Radial Electrolytic Capacitor
- C2, C3 .. 0.01 μ F Disc Capacitor
- IC1 556 Dual Timer IC
- L1 Green LED
- P1 2 Meg Trimmer Resistor
- Q1 B714 PNP Transistor
- R1 82K Resistor
- R2, R5 .. 33K Resistor
- R3, R7 .. 4.7K Resistor
- R4, R6, R9...1K Resistor
- R8 100 ohm Resistor
- Spk Small Speaker

The space-age sound device uses a 556 dual-timer IC to produce a phasor sound. That IC is actually two 555 timer ICs in one 14-pin package, as shown in the schematic. Each timer inside the 556 is connected in an astable multivibrator mode.

The first timer has its frequency set by R1, R2, and C1. Its output appears on pin 5 and it is coupled through C2 and R5 into the trigger input of the second timer. The second timer has an adjustable frequency that is controlled by P1, R6, and C3.

In the second timer, the first frequency mixes with the second frequency and produces the phasor-like sounds. The output of the second timer, which has the two signals mixed together, is brought from pin 9 through limiting resistor R7 to the input of Q1. The function of pnp germanium power transistor Q1 is to amplify the signal to the level that is needed to drive the speaker. The green LED, L1, converts electrons directly into visible photons (light) in time with the pulses from the speaker. The purpose of resistor R8 is to limit the current through the LED to a safe level.

ELECTRONIC GONG

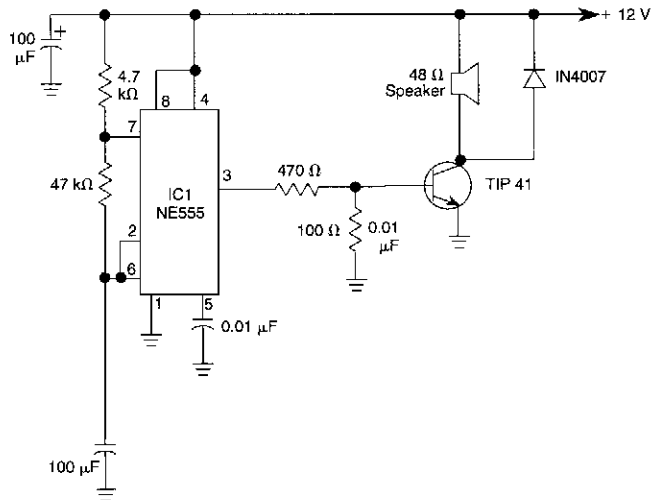


WILLIAM SHEETS

FIG. 93-9

The electronic gong is comprised of an oscillator (built around half of a 74C00N quad 2-input NAND gate), an active twin-T filter (built around a TL081), and will drive an audio amplifier IC such as an LM386N. Pulses from astable multivibrator IC1 cause the twin-tee active filter U2 to ring, producing a damped sinusoidal output. C1 varies rate and C2-C3 vary gong frequency. Adjust R1 for best "tone" sound.

ALARM TONE GENERATOR

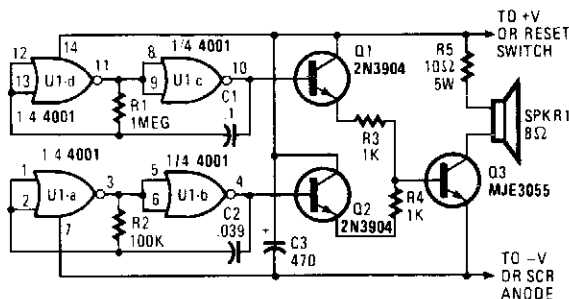


WILLIAM SHEETS

FIG. 93-10

In this alarm tone generator, a TIP41 transistor is used as a speaker driver. R1, R2, and C1 determines the frequency which is 1400 Hz with the values shown.

DUAL-TONE SOUNDER



POPULAR ELECTRONICS

FIG. 93-11

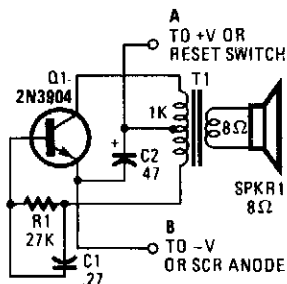
An outside horn-type speaker works best with the circuit. However, such devices require a great deal of power, so this sounder should only be used in alarm circuits where at least a 6-A SCR is used as the sounder driver.

A single CMOS 4001 quad 2-input NOR gate, two 2N3904 general-purpose npn transistors, and a single MJE3055 power transistor combine to generate a two-tone output. Gates U1-a and U1-b are configured as a simple feedback oscillator with R₂ and C₂ setting the oscillator's frequency. With the values shown, the circuit oscillates at about 500-Hz.

Gates U1-c and U1-d are connected in a similar oscillator circuit, but they operate at a much lower frequency. The oscillator frequencies (and thus the tones that they produce) can be altered by increasing or decreasing the values of R₁ and C₁ for the low-frequency oscillator and R₂ and C₂ for the high-frequency oscillator. Decreasing the values of those components will increase the frequency; increasing their values will decrease the frequency.

The two oscillator outputs are connected to separate amplifiers (configured as emitter followers), whose outputs are used to drive a single power transistor (Q3, an MJE3055). A 10-Ω, 5-W resistor, R₅, is used to limit the current through the speaker and Q3 to a safe level. To boost the sound level, R₅ can be replaced with another speaker.

LOW-LEVEL SOUNDER



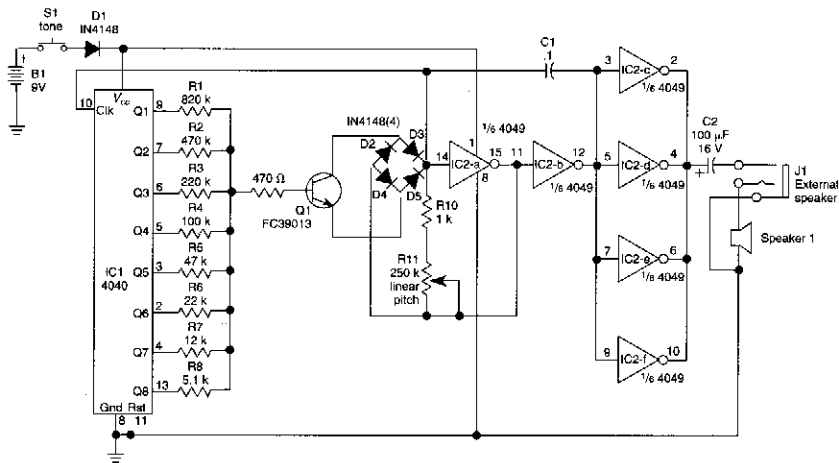
POPULAR ELECTRONICS

FIG. 93-12

This is a simple low-level noise maker that's ideally suited to certain alarm applications. When the sounder is located in another part of the building, the sound level is loud enough to be heard, but is not loud enough to warn off an intruder. A single 2N3904 npn transistor is connected in a Hartley audio oscillator, with a 1 kΩ to 8-Ω transistor-output transformer doing double duty.

The circuit produces a single-frequency tone that can be varied in frequency by changing the value of either or both R₁ and C₁. Increasing the value of either component will lower the output frequency and decreasing their values will raise the frequency. Don't go below 4.7 kΩ for R₁ because you could easily destroy Q1.

SOUND-EFFECTS GENERATOR



1989 R-E EXPERIMENTERS HANDBOOK

FIG. 93-13

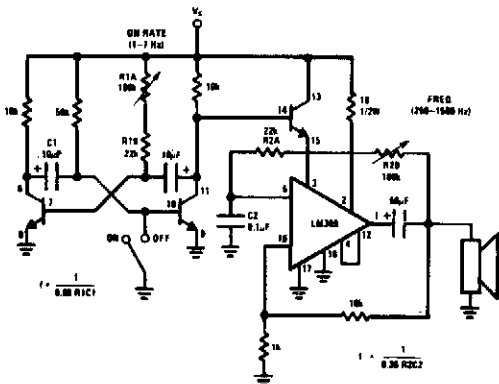
The circuit consists of four parts: a binary counter, a D/A converter, a VCO, and an audio output amplifier. The speed at which the counter counts depends on the frequency of the output of the VCO, which in turn is determined by the output of the counter. That feedback loop gives this circuit its characteristic output.

The initial frequency of oscillation is determined by potentiometer R11. The VCO first oscillates at a relatively low frequency, and it gradually picks up speed as the control voltage supplied by the D/A converter increases.

The D/A converter is simply the group of resistors R1 through R8. When none of IC1's outputs is active, little current will flow into the base of Q1, so the VCO's control voltage will be low. As more and more counter outputs become active, base current increases, and so does the VCO's frequency of oscillation.

The VCO itself is composed of IC2-a, IC2-b, and Q1; the timing network is D1 through D4, C1, R10, and R11. The diode bridge functions basically as a voltage-controlled resistor. The buffer amplifier is made up of the four remaining gates from IC2, all wired in parallel. The volume is sufficient for experimental purposes, but you might want to add an amplifier, speaker, or both.

SIREN

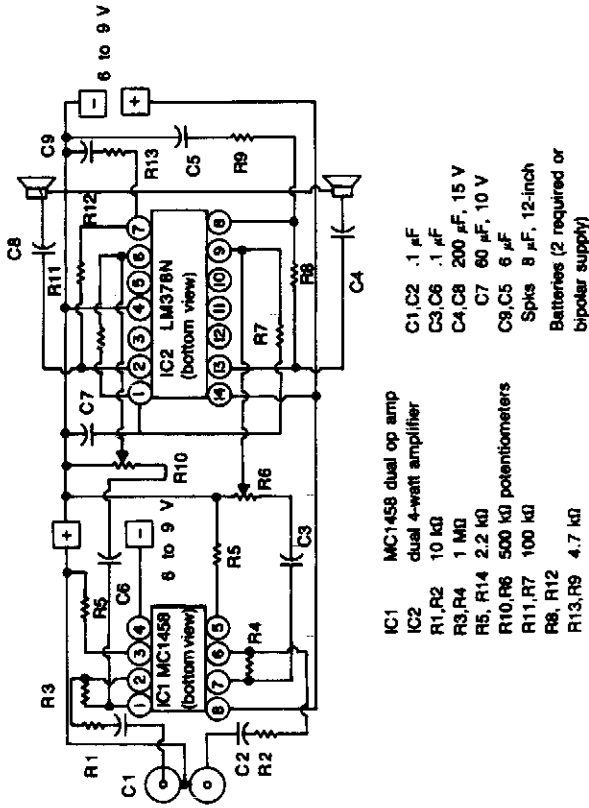


An LM380 audio IC is configured as a feedback audio oscillator. A transistor astable modulates this oscillator at a low frequency, which produces a siren tone.

NATIONAL SEMICONDUCTOR

FIG. 93-14

ALTERNATE TONE ALARM



1989 R-E EXPERIMENTERS HANDBOOK

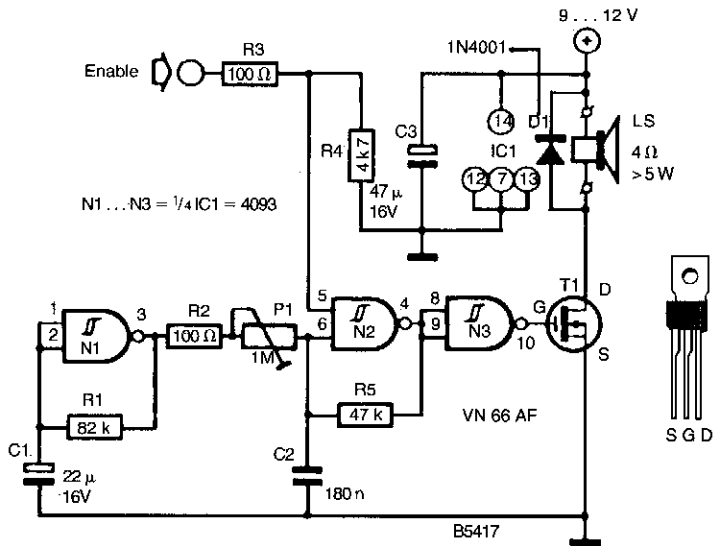
FIG. 93-15

A two-tone generator that is alternately switched ON provides a high/low output as might be heard from a traffic vehicle like a police car or ambulance.

IC1, CD4011, quad 2-input NAND gate is a two-tone oscillator in which each side, pins 1 through 7 and 8 through 13 set the tone frequencies. Changing the values of C_2 and C_1 determines the high/low tones. The output frequencies are coupled to IC2, CD4011, of which one side (pins 1 through 6) acts as a buffer. The buffer is necessary to prevent loading on the outputs that would occur if one tried to go directly to the LM386 amplifier. The other side of IC2, pins 8 through 13, is a slow pulse oscillator of approximately 8 Hz per second. The output at pin 10 is connected to IC4 as a clock.

IC4, CD4027, is a dual J-K master-slave flip-flop that is wired to perform as a toggle switch in which Q1 and 15, and Q1 (NOT) pin 14, go high and low alternately (flip-flop). The clock input from IC2 pin 10 is connected to pin 13 of IC4, and the outputs at pins 15 and 14 changes the flip/flop state with each positive pulse transition. The CD4027 functions in toggle mode when the set and reset inputs, pins 9 and 12, are held low or grounded. Also, J-K inputs, pins 10 and 11, must be held high or to the positive. The outputs Q1 and Q1 (NOT), pins 15 and 14 are connected to pins 13 and 1 respectively of IC1 that enables or disables. Thus, each tone oscillator is turned on and off alternately. IC3 is a straightforward low-voltage audio amplifier.

SIREN OSCILLATOR



303 CIRCUITS

FIG. 93-16

A CD4093 chip and a few components make up a siren oscillator, which drives power MOSFET T1. A 4-Ω speaker is driven directly from this device. The siren is enabled by a logic high applied to the ENABLE input.

94

Square-Wave Generator Circuits

The sources of the following circuits are contained in the Sources section, which begins on page 675. The figure number in the box of each circuit correlates to the entry in the Sources section.

Square-Wave Oscillator

Schmitt Trigger or Sine-to-Square Wave Converter

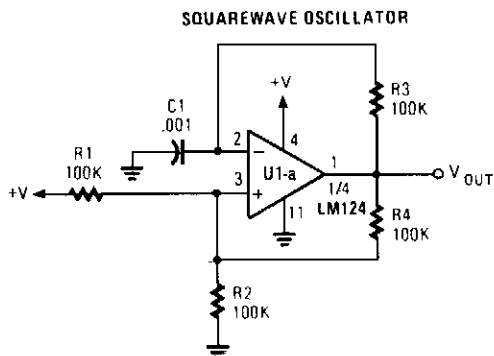
60-Hz Square-Wave Generator

Square-Wave Oscillator

Schmitt Trigger SineSquare Generator

10-Hz to 10-kHz VCO with Square- and Triangle-Wave Outputs

SQUARE-WAVE OSCILLATOR



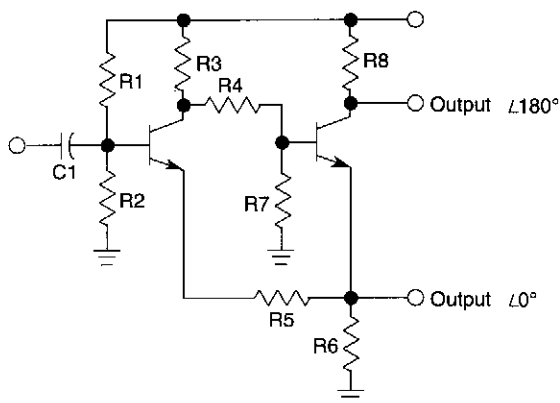
POPULAR ELECTRONICS

FIG. 94-1

An op amp with positive feedback generates a square wave. The period of the oscillator is determined by R3 and C1.

$$T = T_1 + T_2 \approx 0.69 \times 2 (R_3 C_1) \quad T_1 = T_2$$

SCHMITT TRIGGER OR SINE-TO-SQUARE-WAVE CONVERTER

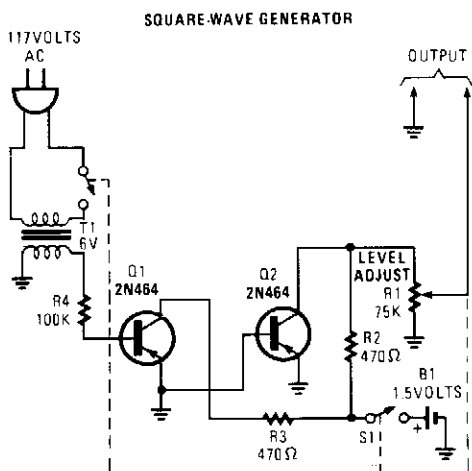


WILLIAM SHEETS

FIG. 94-2

This sine-wave triggered circuit produces two square-wave outputs that are 180° out of phase.

60-Hz SQUARE-WAVE GENERATOR

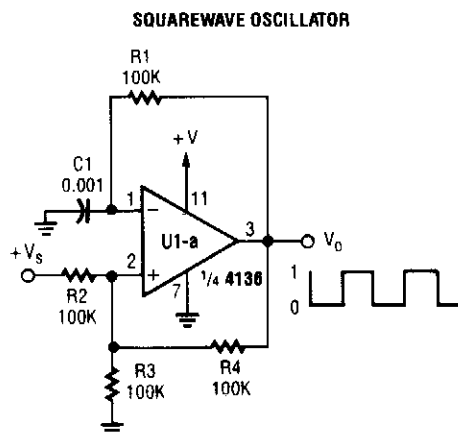


POPULAR ELECTRONICS

FIG. 94-3

This generator circuit uses an overdriven amplifier to produce a 60-Hz square wave from the 60-Hz ac line. The circuit can be used in line-operated applications as a clock source.

SQUARE-WAVE OSCILLATOR



POPULAR ELECTRONICS

FIG. 94-4

Positive feedback is via R3 and R4 and R1 and C1 determine period.

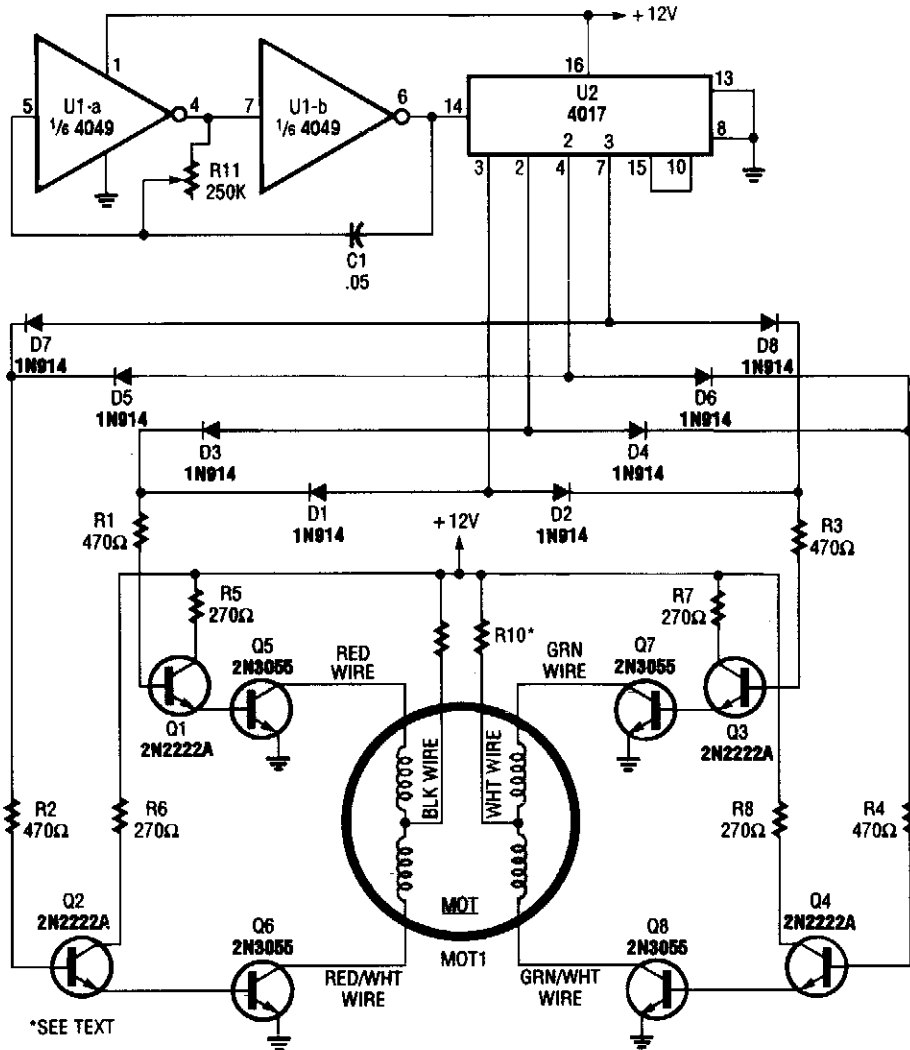
95

Stepper Motor Circuits

The sources of the following circuits are contained in the Sources section, which begins on page 675. The figure number in the box of each circuit correlates to the entry in the Sources section.

Bipolar Stepper Motor Drive Circuit
Stepper Motor Circuit with FET Drivers
Dual Clock Circuit for Stepper Motors

BIPOLAR STEPPER MOTOR DRIVE CIRCUIT



A 4017 decade counter/divider driven from a low-frequency oscillator (U1-a and U1-b) is used to drive transistor switches to sequence the windings, as is needed. MOT1 is a 12-V stepper motor. R9 and R10 are selected for the motor's current rating. A 3.3-Hz signal from U1 will cause the motor to run at 1 rpm, a 33-Hz signal will result in 10 rpm, etc.

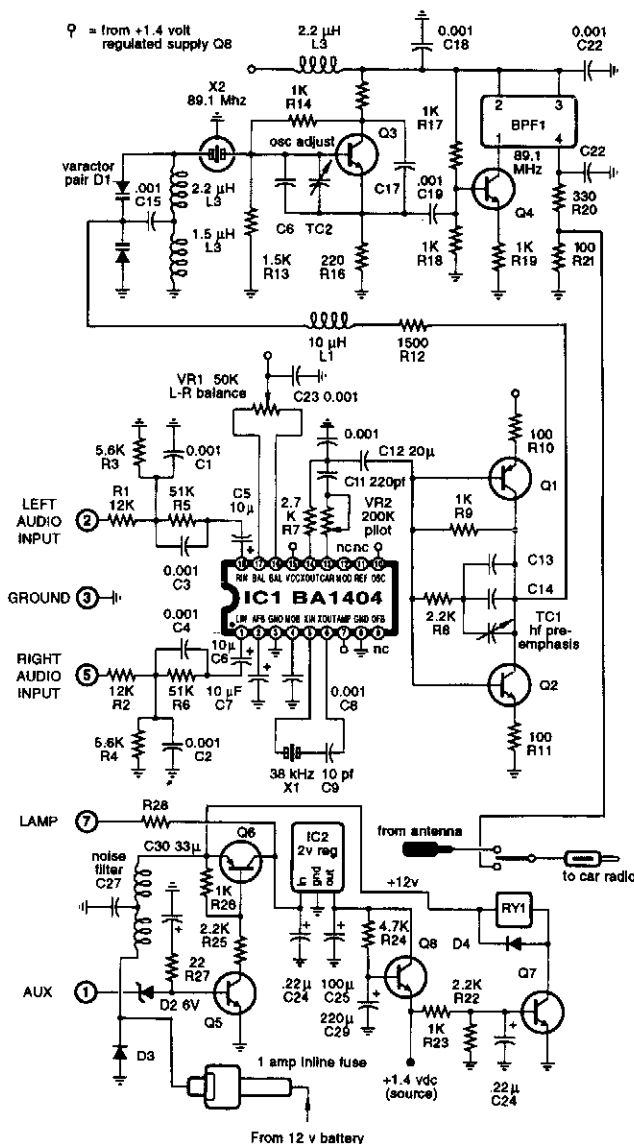
96

Stereo Circuits

The sources of the following circuits are contained in the Sources section, which begins on page 675. The figure number in the box of each circuit correlates to the entry in the Sources section.

FM Stereo Transmitter
Stereo TV Decoder
Crystal-Controlled FM Stereo Transmitter
Stereo TV Decoder
One-Chip Stereo Preamp with Tone Control
Audio Expander
Mini Stereo Amplifier
Stereo Balance Meter
Stereo Preamplifier
Stereo Phono Amplifier with Bass Tone Control

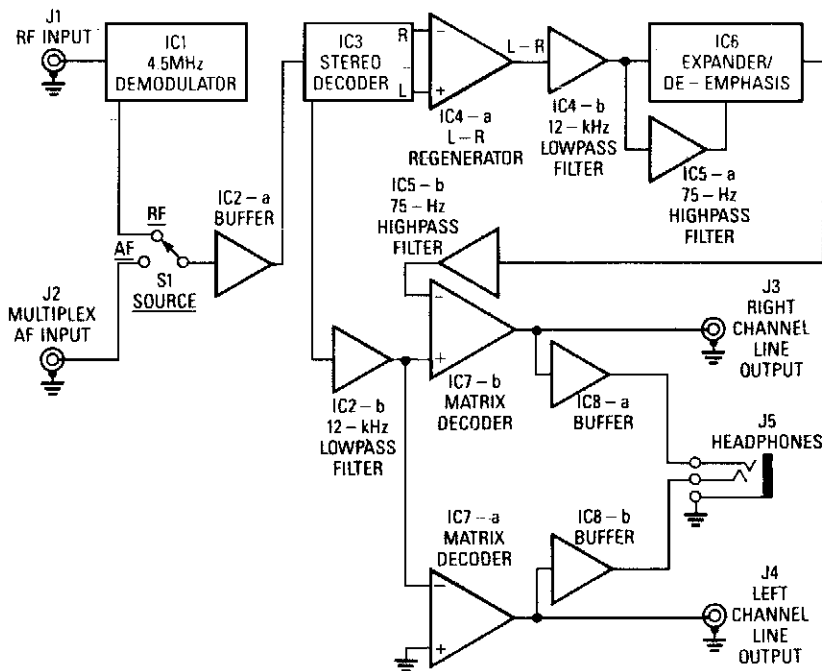
FM STEREO TRANSMITTER



WARNING: Be sure to current limit the AUX input with an external 1K resistor!

A BA1404 IC is used to generate a complete FM MPX signal. The chip contains all of the necessary circuitry. C1 and R3, and R4 and C4 provide pre-emphasis. The transmitter runs on a single AA cell. L3 is 3 turns of #20 wire on a $\frac{3}{16}$ " drill (for a form). L3 is $\frac{1}{4}$ " long. L4 is 4 turns #20 wire on $\frac{3}{16}$ " drill bit, spaced to $\frac{3}{8}$ ". If monophonic operation is wanted, omit C5 and the 38-kHz oscillator components.

STEREO TV DECODER



A block diagram of the stereo-TV decoder is shown in A. It shows the overall relationships between the separate sections of the circuit; B through E show the details of each subsection. The decoder section centers around IC1, a standard 4.5-MHz audio demodulator. The output of IC1 is routed to S1, which allows you to choose between the internally demodulated signal and an externally demodulated one. Buffer amplifier IC2-a then provides a low-impedance source to drive IC3, an LM1800 stereo demodulator.

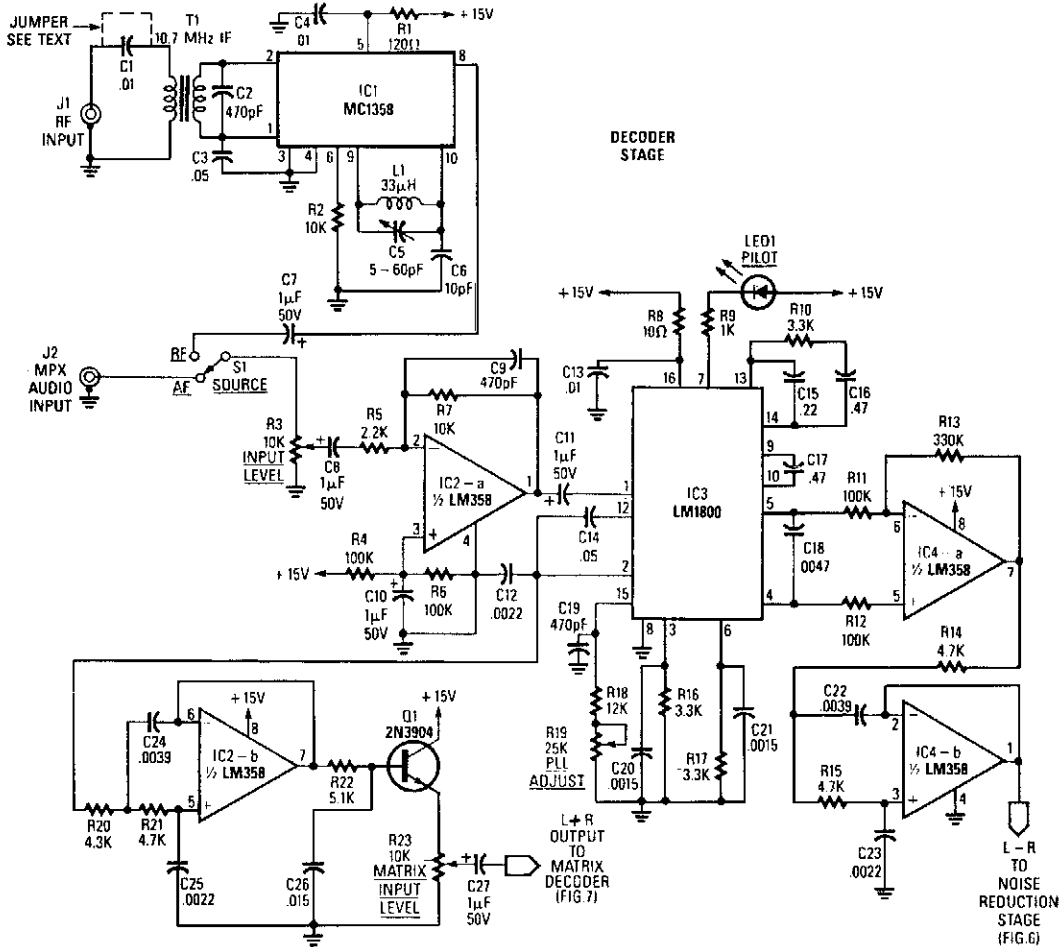
When IC3 is locked on a stereo signal, the outputs presented at pins 4 and 5 are discrete left- and right-channel signals, respectively. In order to provide noise reduction to the $L - R$ signal, you must recombine the discrete outputs into sum and difference signals. Op amp IC4-a is used to regenerate the $L - R$ signal. It is wired as a difference amplifier, wherein the inputs are summed together ($+L - R$). Capacitor C18 bridges the left- and right-channel outputs of the demodulator. Although it decreases high-frequency separation slightly, it also reduces high-frequency distortion.

The $L + R$ signal is taken from the LM1800 at pin 2, where it appears at the output of an internal buffer amplifier. The raw $L - R$ signal is applied to IC4-b, a 12-kHz lowpass filter. The $L + R$ signal is also fed through a 12-kHz low pass filter in order to keep the phase shift undergone by both signals equal.

Next, the $L - R$ signal is fed to Q2. It allows you to add a level control to the $L - R$ signal path; it provides a low source impedance for driving the following circuits, and it inverts the signal 180°. Inversion is necessary to compensate for the 180° inversion in the compander.

Next comes the expander stage. At the collector of Q2 is a 75- μ s de-emphasis network (R27 and C29) that functions just like the network that is associated with Q1. Note that Q2 feeds both Q3 and

STEREO TV DECODER (Cont.)



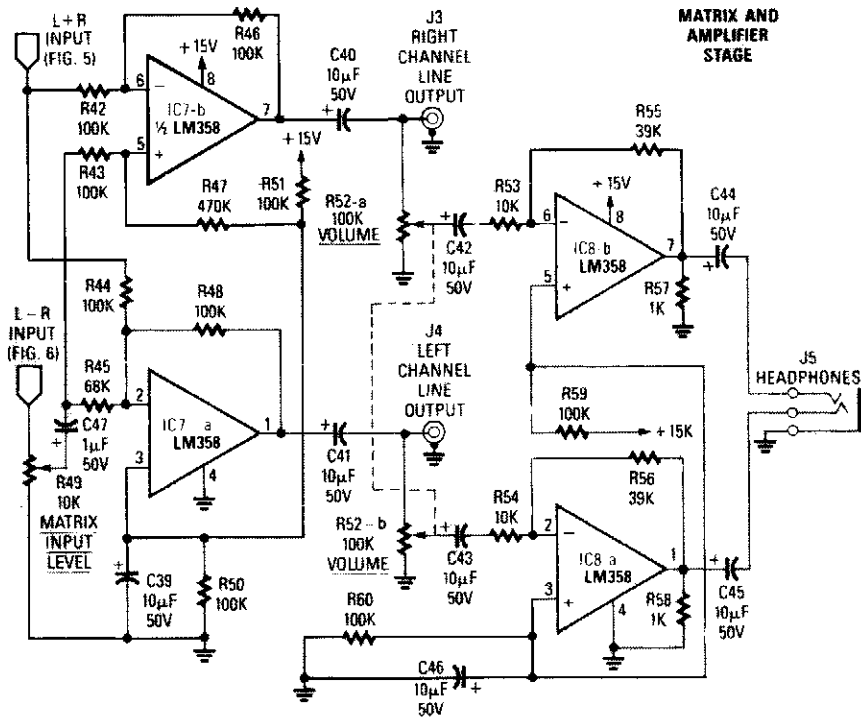
THE DECODER STAGE converts the multiplexed audio signal into L + R and L - R signals.

IC5-a, a -12-dB per octave high-pass filter. The output of that filter drives the rectifier input of IC6, an NE570. The 75-Hz high-pass filter at the rectifier input helps to prevent hum, 60-Hz sych buzz, and other low-frequency noise in the $L - R$ signal from causing pumping or breathing.

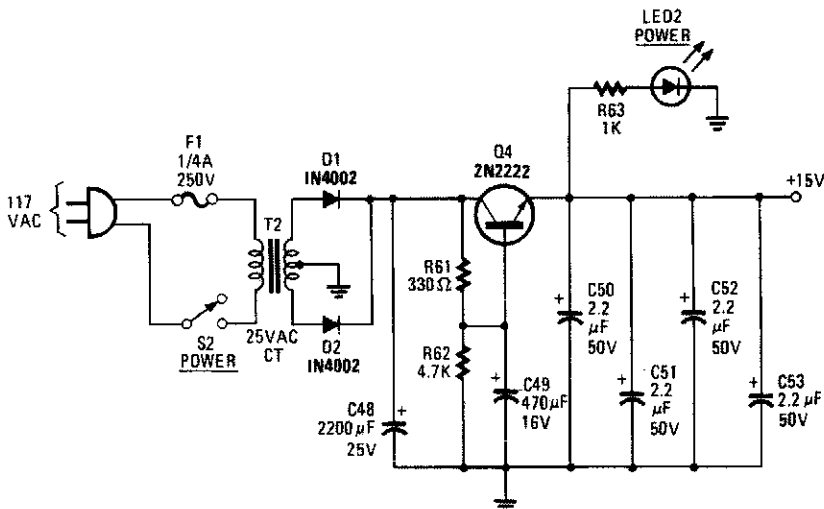
The NE570 contains an on-board op amp; its inverting input is available directly at pin 5 and via a 20-kΩ series resistor at pin 6. The 18-kΩ resistor (R30) combines with the internal resistor and C32 (0.01 μF) to form a first-order filter with a 390-μs time constant. Because the internal op amp operates in the inverting mode, the $-(L - R)$ signal is restored to the proper $(L - R)$ form.

The output of the expander drives another 75-Hz high-pass filter, but this one is a third-order type that provides -18 dB per octave rolloff. It is used to keep low-frequency noise from showing up at the output of the decoder. At this point, the $(L - R)$ signal has been restored, more or less, to the condition it was in before it was dBx companded at the transmitter.

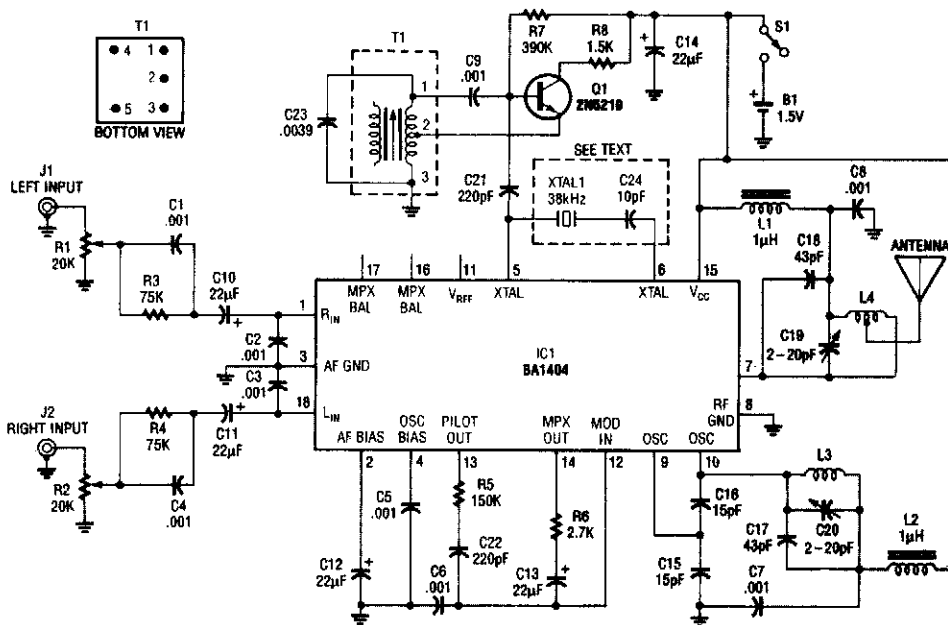
STEREO TV DECODER (Cont.)



THE MATRIX STAGE separates the L + R and L - R signals into the left- and right-channel components. Op-amp IC8 and associated components provide an optional headphone output. If you do not wish to drive a pair of headphones, or plan to use your amplifier's headphone jack for that purpose, all components to the right of jacks J3 and J4 can be deleted.



CRYSTAL-CONTROLLED FM STEREO TRANSMITTER

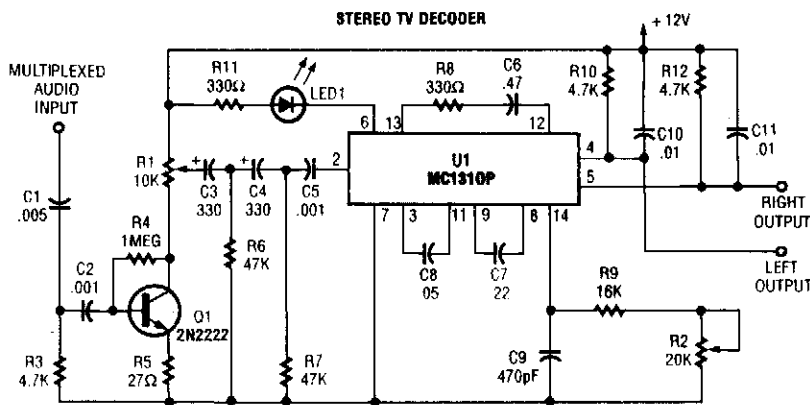


ELECTRONICS NOW

FIG. 96-3

In this application, a BA1404 is used to generate an FM MPX baseband signal. This modulates a crystal oscillator (Q3) via a dual varactor series modulator. This transmitter can be used to play CD audio on an existing FM auto radio.

STEREO TV DECODER

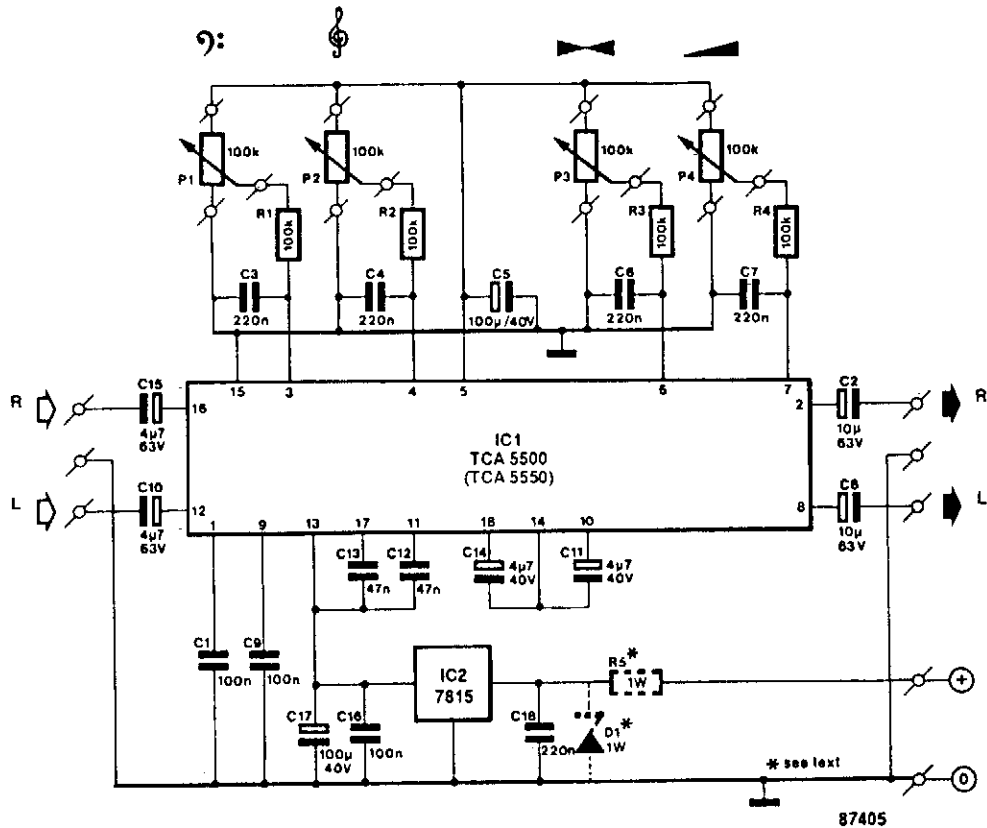


POPULAR ELECTRONICS

FIG. 96-4

Q1 is an audio amplifier and U1 is used as a 31.5-kHz subcarrier, which is similar to 38-kHz FM MPX. Pilot frequency is 15.734 kHz.

ONE CHIP STEREO PREAMP WITH TONE CONTROL

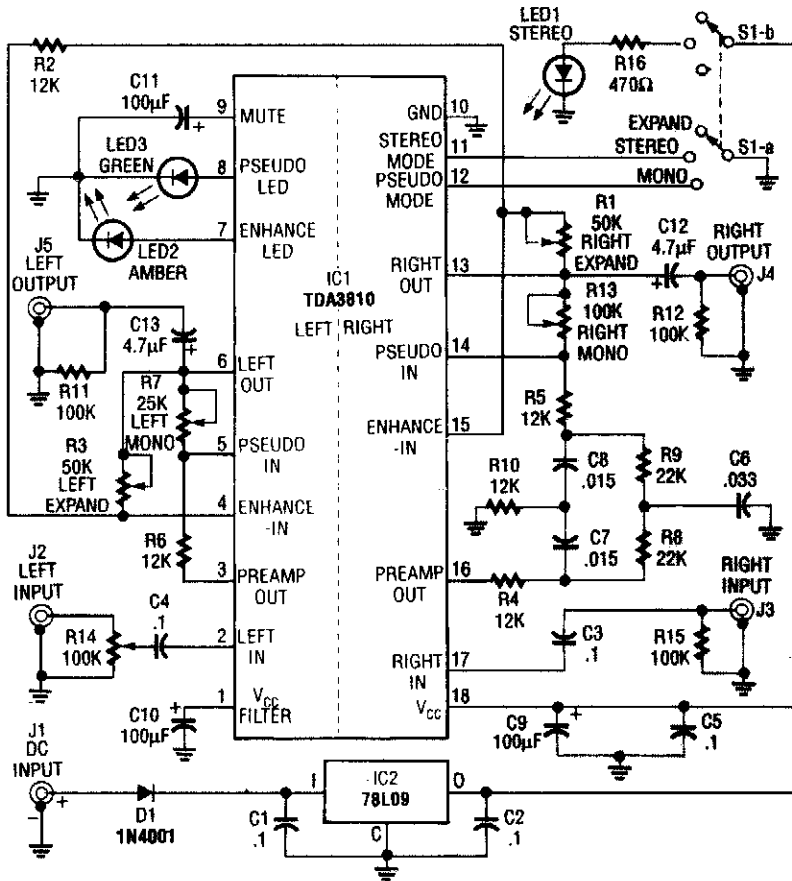


303 CIRCUITS

FIG. 96-5

A Motorola TCA5500 or TCA5550 can provide a stereo preamplifier system with tone controls. This circuit provides a gain of about 10X, a 14-dB tone-control range, a 75-dB volume control range, and it can operate from 8 to 18 Vdc. IC2 provides 15 V for IC1, and the input of IC2 can be supplied from the power amplifier's power supply (+) rail. D1 and R5 should be used if over 30 V input will be used.

AUDIO EXPANDER

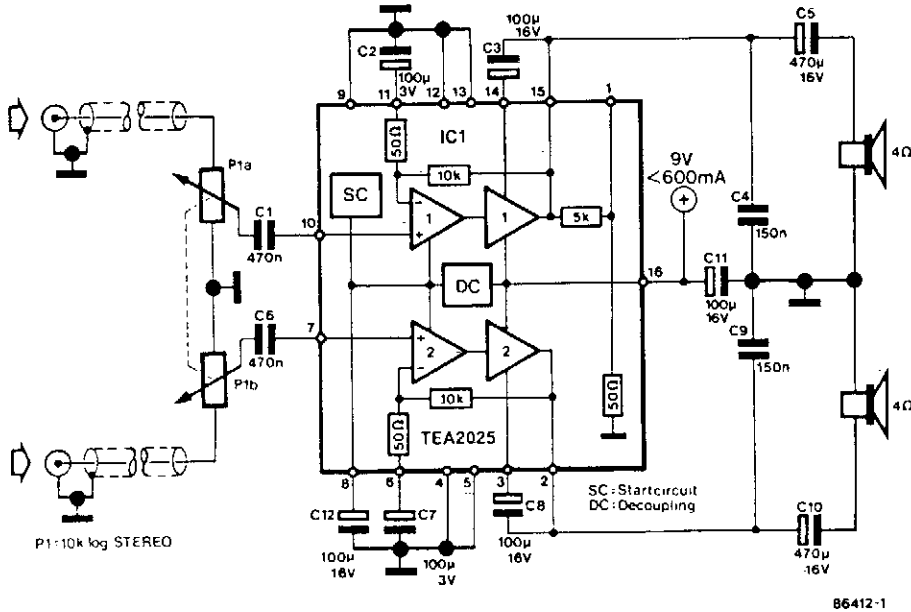


ELECTRONICS NOW

FIG. 96-6

This audio processor is based on the Signetics/Philips TDA3810N stereo, spatial, pseudo-stereo processor, IC. This processor uses a Philips TDA3810IC device, and it functions as an expander, pseudo stereo processor, and audio enhancer. Pseudo stereo is obtained by routing various frequencies to each channel via active filters.

MINI STEREO AMPLIFIER

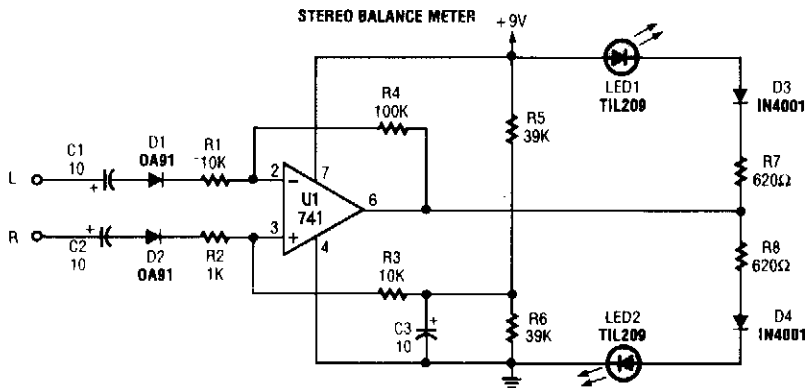


303 CIRCUITS

FIG. 96-7

Using a Thomson TEA2025, this stereo amplifier provides 1 W per channel into 4 Ω with a 9-V supply. Input sensitivity is 25 mV p-p for full output. Note that pins 4, 5, 12, and 13 of IC1 should be effectively grounded to a ground plane and heatsinked.

STEREO BALANCE METER

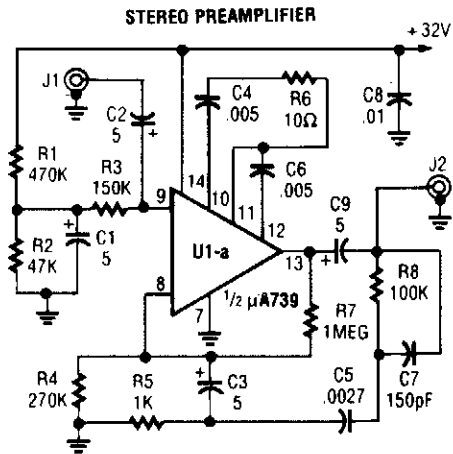


POPULAR ELECTRONICS

FIG. 96-8

When L & R signals are equal, no output is present from U1, and pin 6 is at a steady 4.5 V. Unbalanced audio causes the LEDs to vary in brightness, which causes a difference that corresponds to unbalance between channels.

STEREO PREAMPLIFIER



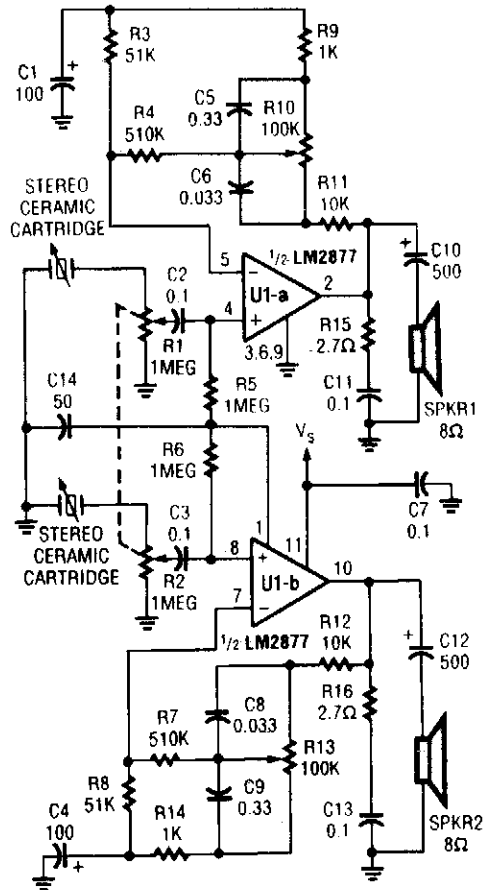
POPULAR ELECTRONICS

FIG. 96-9

A building block for audio work, the circuit can be used as a general-purpose preamp. Use two circuits for stereo applications.

STEREO PHONO AMPLIFIER WITH BASS TONE CONTROL

STEREO PHONOGRAPH AMPLIFIER WITH BASS TONE CONTROL



POPULAR ELECTRONICS

FIG. 96-10

97

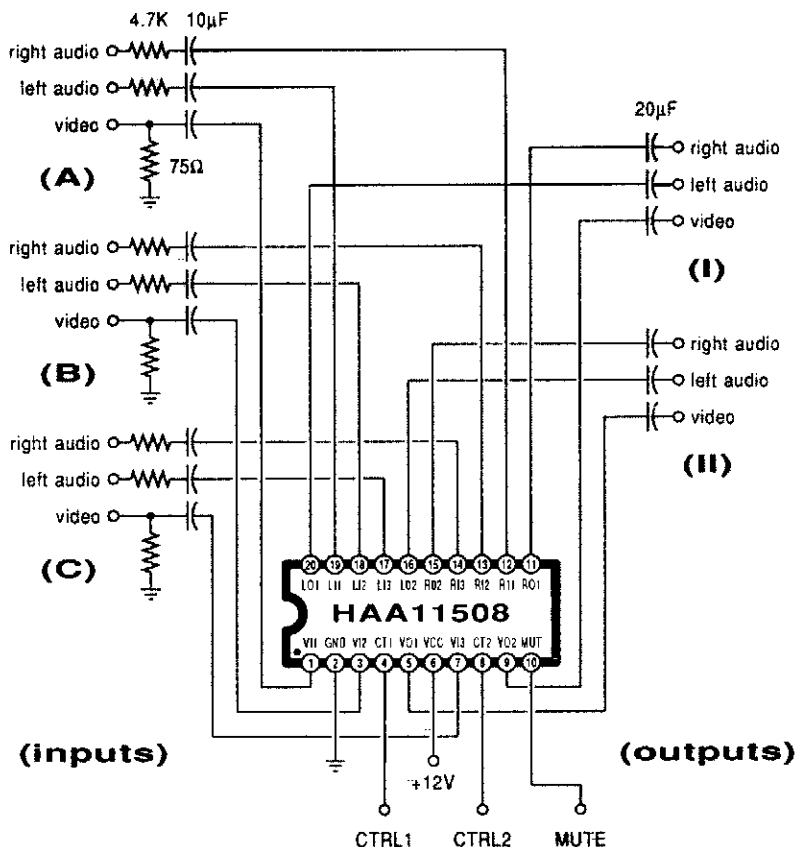
Switching Circuits

The sources of the following circuits are contained in the Sources section, which begins on page 675. The figure number in the box of each circuit correlates to the entry in the Sources section.

Simple Video/Audio Switcher
dc-Controlled Switch Using Optoisolator
Wideband Video Switch for RGB Signals
Eight-Channel Audio Switcher
Electronic Safety Switch
Audio-Controlled Switch
Oscillator Triggered Switch

Load-Disconnect Switch
Typical Two-Way Switch Wiring
HexFET Switch
dc-Controlled FET Switch
Remote Two Way ac Switch Hookup
Dual-Control HexFET Switch

SIMPLE VIDEO/AUDIO SWITCHER

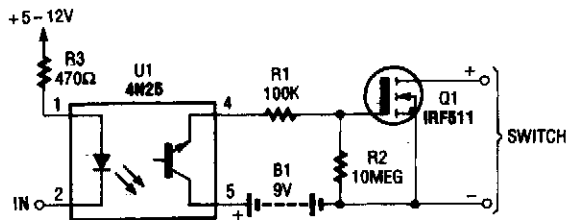


RADIO ELECTRONICS

FIG. 97-1

This channel selector selects video and stereo audio from any one of three different sources. The circuit should be constructed on a PC board with plenty of ground plane to minimize noise.

dc-CONTROLLED SWITCH USING OPTOISOLATOR

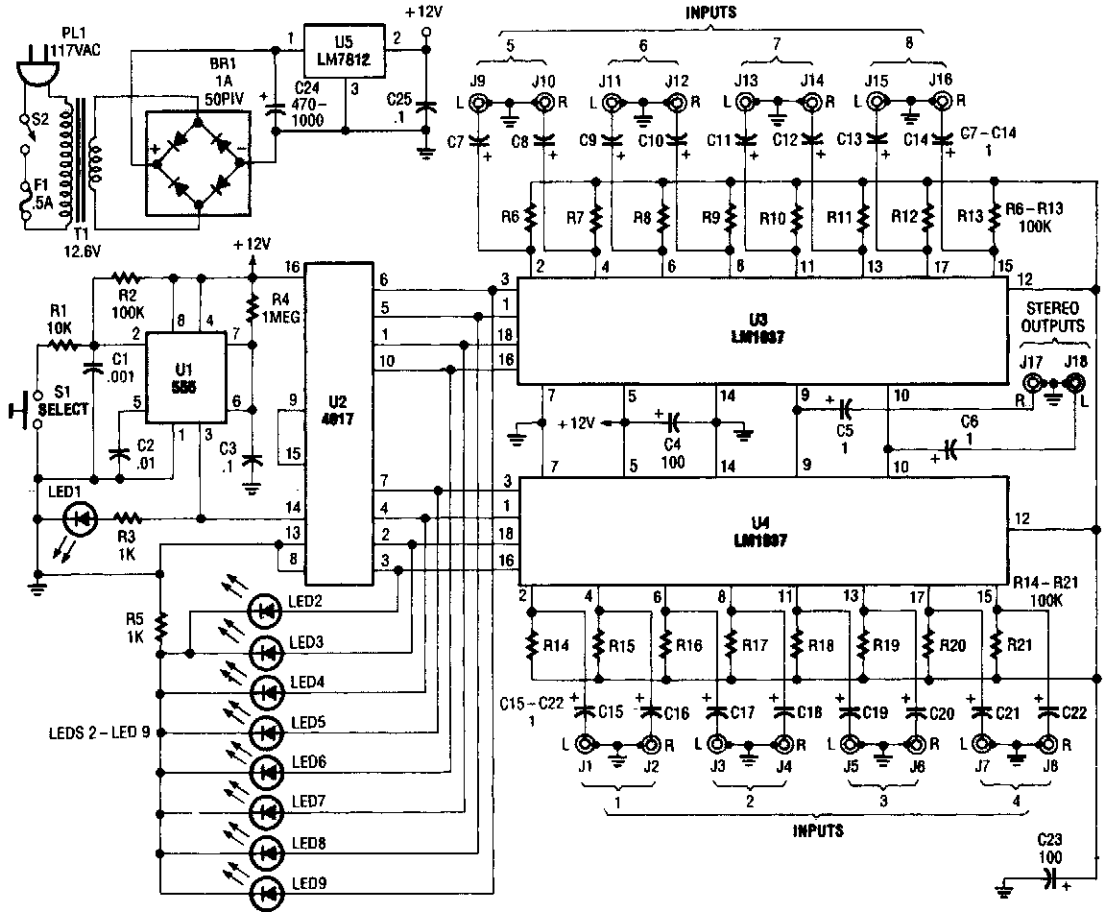


This dc-controlled switch uses an optoisolator/coupler, U1, to electrically isolate the input signal from the output-control device.

POPULAR ELECTRONICS

FIG. 97-2

EIGHT-CHANNEL AUDIO SWITCHER



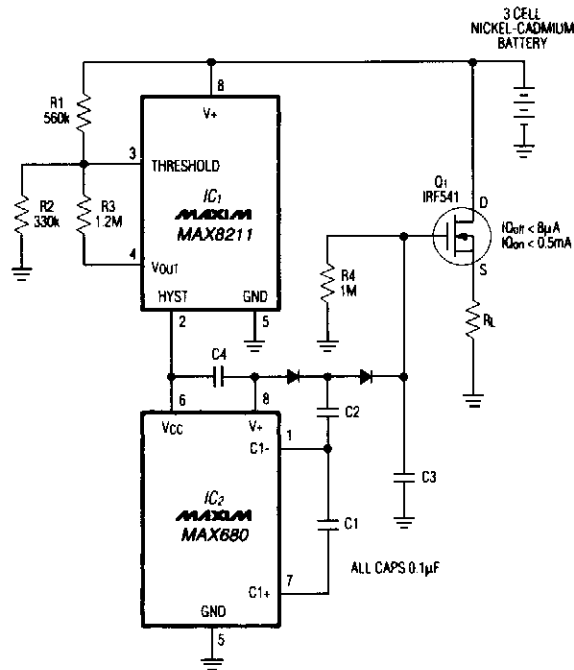
POPULAR ELECTRONICS

FIG. 97-4

This source is selected by pressing momentary-contact pushbutton switch S1. Switch S1 is connected to the trigger of a 555 oscillator/limer (U1) configured as a monostable multivibrator, which generates one short output pulse for each press of S1. That pulse turns on LED1 to give a visible indication that the 555 is working correctly. That pulse is also used to clock U2 (a 4017 CMOS divide-by-1-counter/divider).

Both LED1 and its associated current-limiting resistor R3 are optional and can be left out of the finished project without any affect on circuit operation. The 4017 advances by one clock pulse each time S1 is pressed, turning on its corresponding output. Pin 9 (corresponding to output 8) of U2 is directly connected to its own reset terminal at pin 15. This allows the counter to count from zero to seven, and then reset to zero on the eighth count.

LOAD-DISCONNECT SWITCH

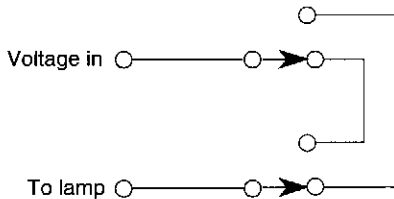


MAXIM ENGINEERING JOURNAL

FIG. 97-8

Deep discharge can damage a rechargeable battery. By disconnecting the battery from its load, this circuit halts battery discharge at a predetermined level of declining terminal voltage. Transistor Q1 acts as the switch. The overall circuit draws about 500 μA when the switch is closed and about 8 μA when the switch is open.

TYPICAL TWO-WAY SWITCH WIRING

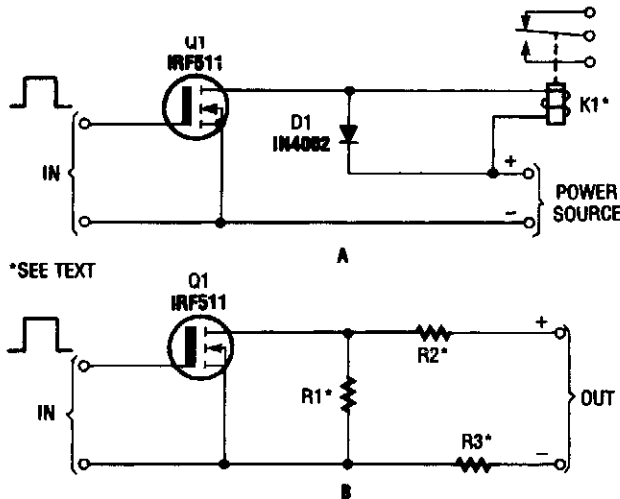


When the light is off, it can be turned on with either switch. When it's on, it can be turned off with either switch.

ELECTRONICS NOW

FIG. 97-9

HEXFET SWITCH



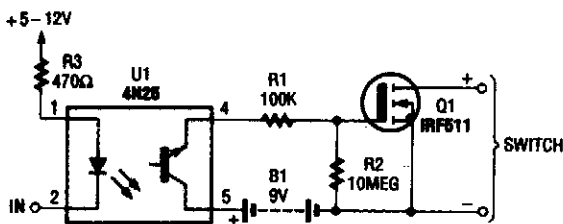
*SEE TEXT

POPULAR ELECTRONICS

FIG. 97-10

The hexFET can switch dc power to relays (as shown in A), motors, lamps, and numerous other devices. That arrangement can even be used to switch resistors in and out of a circuit, as shown in B. R1, R2, and R3 represent resistive loads that can be switched in and out of the circuit.

dc-CONTROLLED FET SWITCH

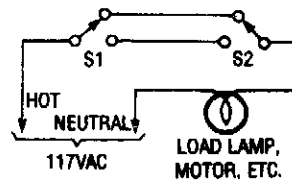


POPULAR ELECTRONICS

FIG. 97-11

This dc-controlled switch uses an optoisolator/coupler, U1, to electrically isolate the input signal from the output-control device.

REMOTE TWO WAY ac SWITCH HOOKUP

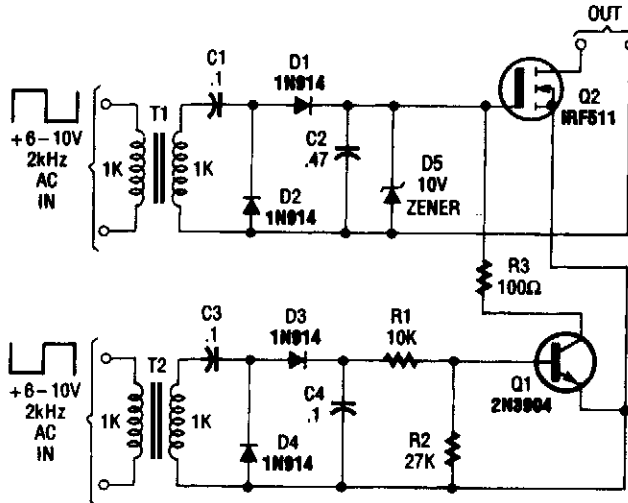


POPULAR ELECTRONICS

FIG. 97-12

This switching arrangement is the type of arrangement used in both domestic and industrial environments to allow a light or other ac-operated device to be controlled from more than one location.

DUAL-CONTROL HEXFET SWITCH



POPULAR ELECTRONICS

FIG. 97-13

This dual-control switch uses two 6 to 10-Vac sources to trigger the circuit on and off; one source for each function.

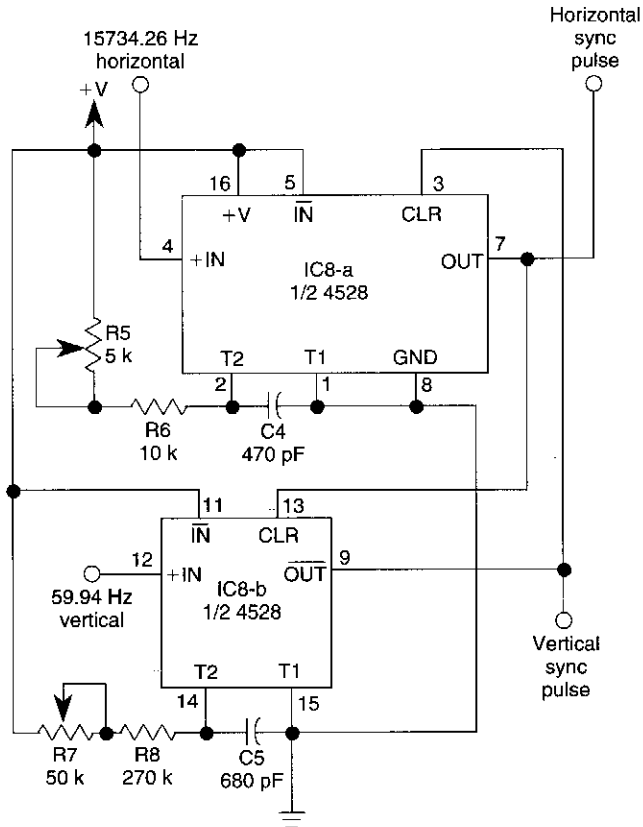
98

Sync Circuits

The sources of the following circuits are contained in the Sources section, which begins on page 675. The figure number in the box of each circuit correlates to the entry in the Sources section.

Sync Gating Circuit
Sync Combiner

SYNC GATING CIRCUIT

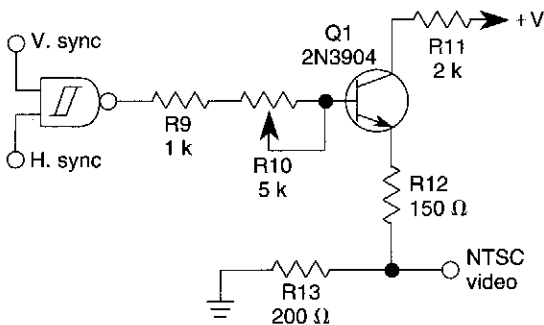


RADIO ELECTRONICS

FIG. 98-1

This circuit guarantees that only one type of sync pulse is generated at a time. During vertical sync periods, horizontal sync is disabled.

SYNC COMBINER



This circuit combines H and V sync signals at TTL or CMOS levels and produces an NTSC video sync output.

RADIO ELECTRONICS

FIG. 98-2

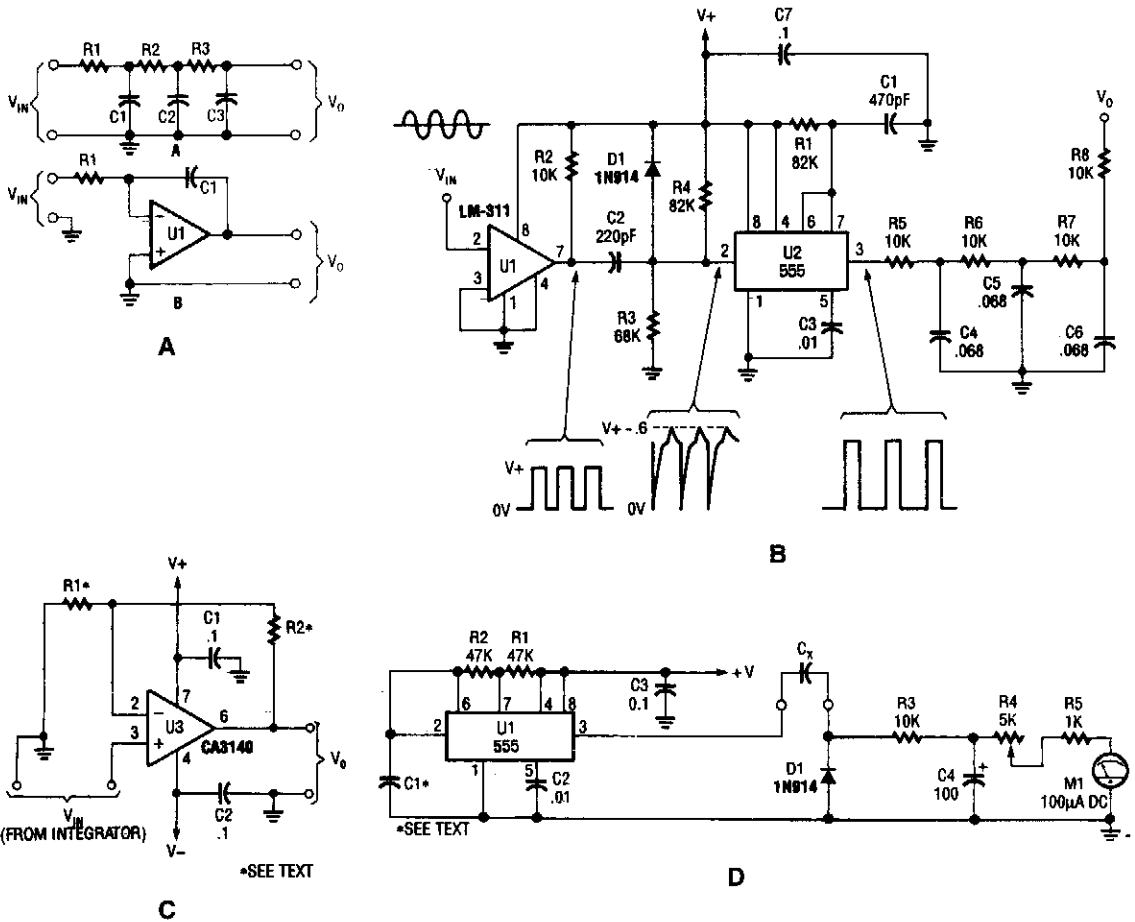
99

Tachometer Circuits

The sources of the following circuits are contained in the Sources section, which begins on page 675. The figure number in the box of each circuit correlates to the entry in the Sources section.

Analog Tachometer Circuits
Analog Tachometer Circuit

ANALOG TACHOMETER CIRCUITS



POPULAR ELECTRONICS

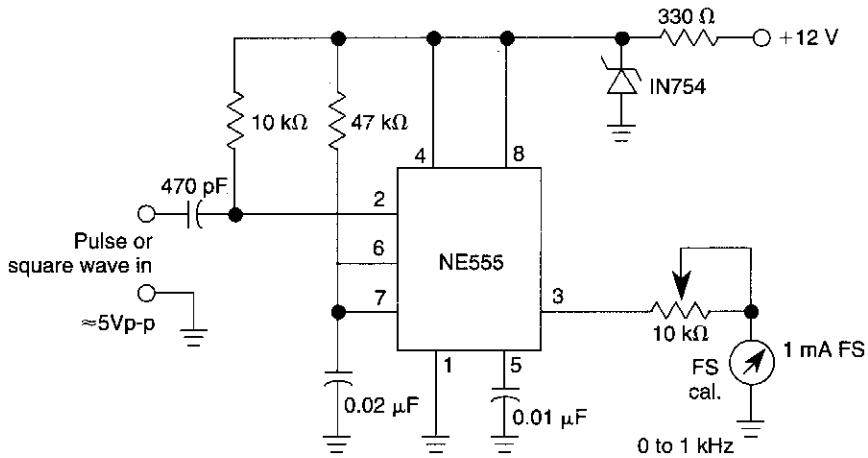
FIG. 99-1

The four circuits shown are: a passive and active integrator, an analog tachometer, a scaling amplifier, and a capacitance meter.

In B, $T = 1.1 R_1 C_1$ (output pulse duration)

In C, $V_o = V_{in} \left(1 + \frac{R_2}{R_1} \right)$

ANALOG TACHOMETER CIRCUIT



WILLIAM SHEETS

FIG. 99-2

In this tachometer circuit a 555 is used as a pulse shaper. The dc value of the integrated pulse train is read by M1 which is calibrated to read frequency. With the values shown, the meter will read 0–1 kHz.

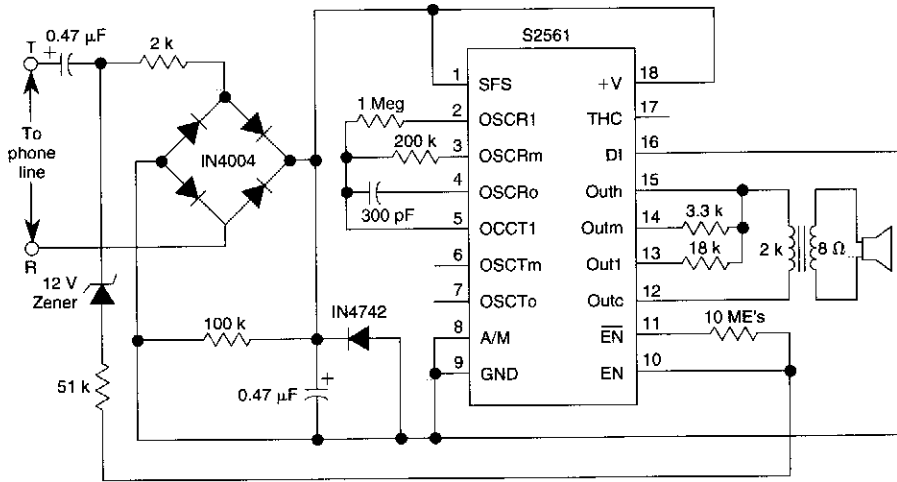
100

Telephone-Related Circuits

The sources of the following circuits are contained in the Sources section, which begins on page 675. The figure number in the box of each circuit correlates to the entry in the Sources section.

Telephone Ringer	Telephone Scrambler
Automatic Telephone-Call Recording Circuit	Phone Pager
Music on Hold	5-V Dial-Tone Circuit
Telephone Ring Converter	Phone Pager
Phone-In-Use Indicator	Alarm Dialer
Emergency Telephone Dialer	Telephone Audio Interface
Telephone Bell Simulator	Caller ID Circuit
Simple Telephone Ring Indicator	FCC Part 68 Phone Interface
Phone-Line Interface	Telephone Amplifier
Music-On-Hold Box	Telephone Hold Circuit
Speakerphone Adapter	Telephone Circuit
Telephone Voice-Mail Alert	Telephone-Line Tester

TELEPHONE RINGER

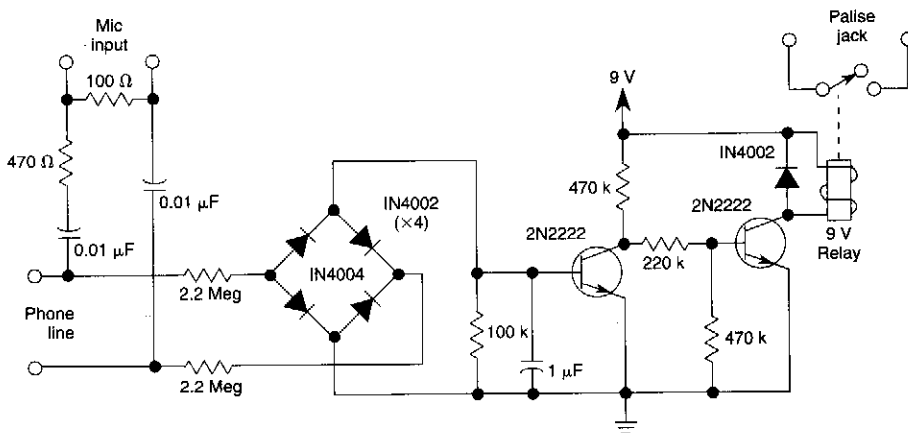


RADIO-ELECTRONICS

FIG. 100-1

Using an AMI chip P/N S2561, this telephone ringer can be powered directly off the telephone line. Audio output is about 50 mW when powered from a 10-V source.

AUTOMATIC TELEPHONE-CALL RECORDING CIRCUIT

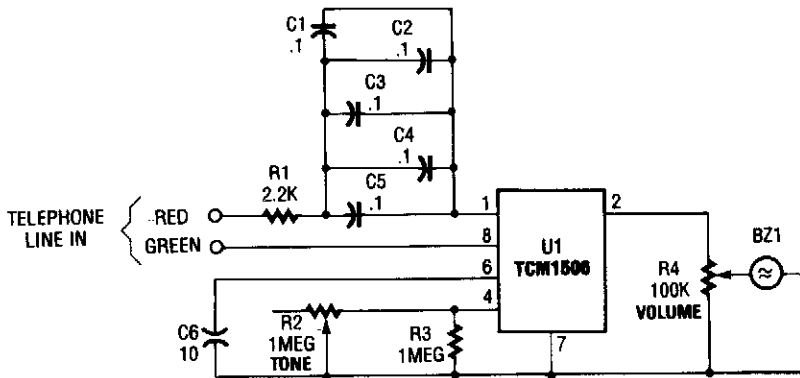


RADIO-ELECTRONICS

FIG. 100-2

The dc voltage present on a telephone line is usually around 45 to 50 V on-hook and 6 V off-hook. This circuit uses this drop in voltage to activate a relay. The relay controls a cassette tape recorder. Audio is taken off through a network to the microphone input of the cassette.

TELEPHONE RING CONVERTER



POPULAR ELECTRONICS

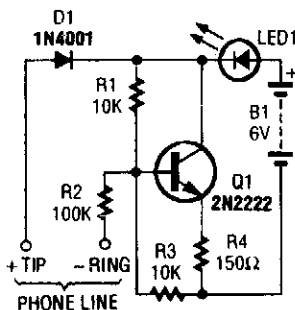
FIG. 100-4

The circuit is based on the TCM1506 ring detector/driver integrated circuit. It is a monolithic IC specifically designed to replace the telephone's mechanical bell. The chip is powered and activated by the telephone-line ring, which can vary from 40 to 150 V rms at a frequency of from 15 to 68 Hz. No other source of power is required. Again, referring to the figure shown, C1 through C5 are placed in parallel to form a 0.5- μ F capacitor that conducts the ac ring voltage to pin 1 of the TCM1506, but blocks any dc component. Of course, those capacitors can be replaced by a single 0.47- to 0.5- μ F capacitor provided that it has at least a 400-WVdc rating. Resistor R1 is in series with the capacitor network and is used to dissipate power from any high-voltage transient that might appear across the line. The diluted ac voltage that reaches pin 1 on U1 powers the chip.

Capacitor C6 is used to prevent "bell tapping." That is an annoying ringing of the bell that occurs when a phone on the same line is used to dial an outgoing call. The capacitor prevents the short dial pulses from triggering the ring detector, but still allows the much longer ring signal to activate it.

Potentiometer R2 is used to vary the tone of the ring signal from below 100 Hz to over 15 kHz. Potentiometer R4 is the volume control; adjusting that potentiometer to its lowest resistance will mute the piezo element (BZ1). When a ring signal is present on the phone-line, it powers U1. The IC then generates a tone (with a frequency that is determined by R2 and an amplitude set by R4) that is reproduced by BZ1.

PHONE-IN-USE INDICATOR

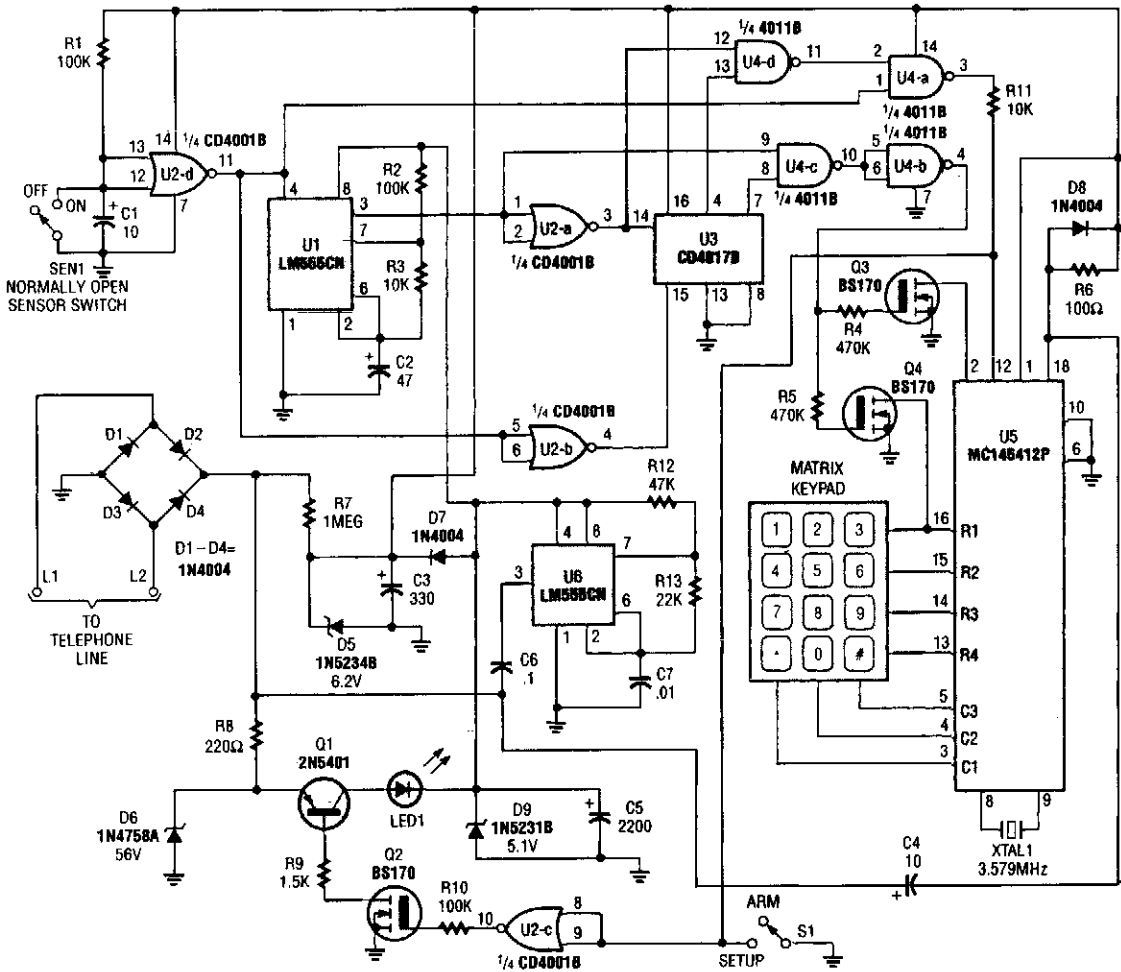


This phone-in-use indicator also indicates the presence of a ring signal. Just the thing for the hearing impaired.

POPULAR ELECTRONICS

FIG. 100-5

EMERGENCY TELEPHONE DIALER



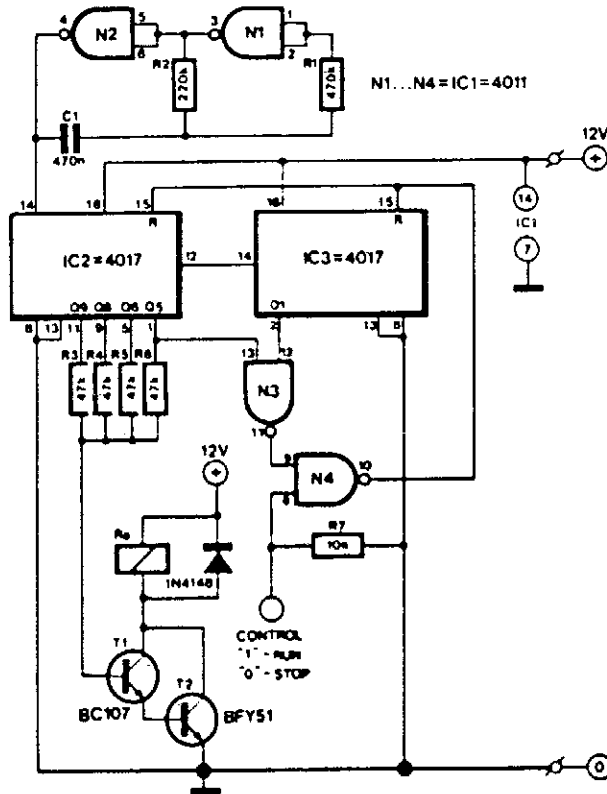
POPULAR ELECTRONICS

FIG. 100-6

This system will alert you or anyone chosen by automatically dialing a programmed phone number. This is accomplished by monitoring an open-loop or closed-loop sensor switch located in the protected area. When the sensor detects a problem (such as a break-in, fire, heating system failure, flood, etc.), Teleguard dials whatever telephone number has been programmed into its memory. When the phone is taken off the hook, Teleguard emits an unusual tone to alert the party on the receiving end that something is amiss.

The circuit is not hampered by busy signals when a call is placed; it automatically redials the number again and again (about once a minute) until it gets through. In addition, Teleguard can also automatically dial a number in the event of a medical emergency; for instance, where a mobility-impaired person is unable to dial the telephone. That can be accomplished by adding a "panic" switch to the circuit.

TELEPHONE BELL SIMULATOR

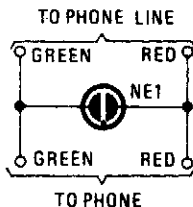


303 CIRCUITS

FIG. 100-7

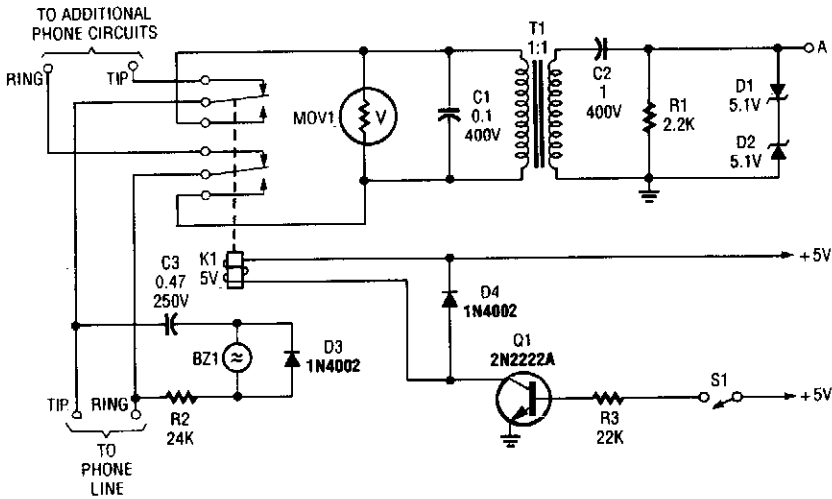
This circuit is intended for use in a small private telephone installation. The ringing tone sequence is 400 ms on, 200 ms off, 400 ms on, 2 ms off. In the accompanying diagram, N1 and N2 form an oscillator that operates at a frequency of 5 Hz, which gives a period of 200 ms. The oscillator signal is fed to two decade scalars, which are connected in such a manner (by N3 and N4) that the input signal is divided by 15. The second input of N4 can be used to switch the divider on and off by logic levels. If this facility is not used, the two inputs of N4 should be interconnected.

SIMPLE TELEPHONE RING INDICATOR



A neon lamp can easily be added to the phone line to act as a ring indicator. It's perfect for times when you can't hear the phone.

PHONE-LINE INTERFACE

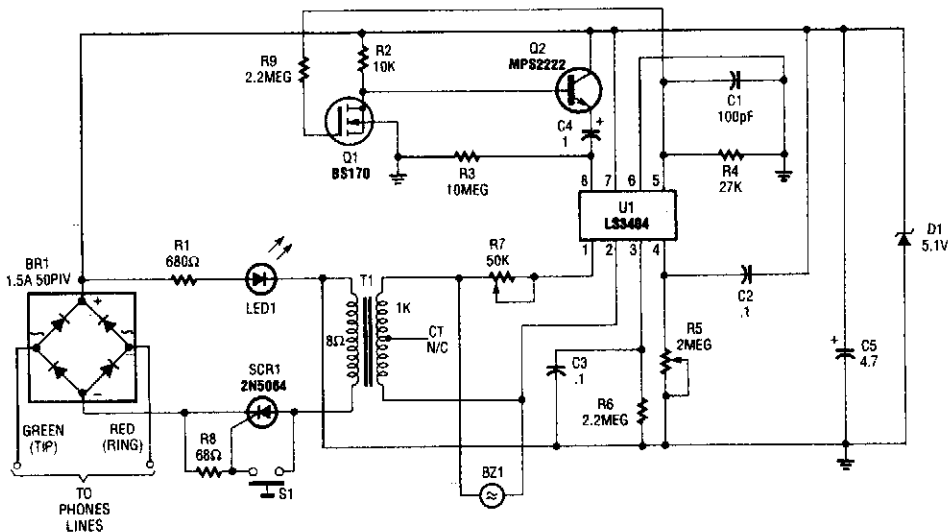


POPULAR ELECTRONICS

FIG. 100-9

This circuit should be useful for interfacing phone projects to the telephone line. It has a ringer, can interrupt the wiring, and isolates project from the phone line.

MUSIC-ON-HOLD BOX

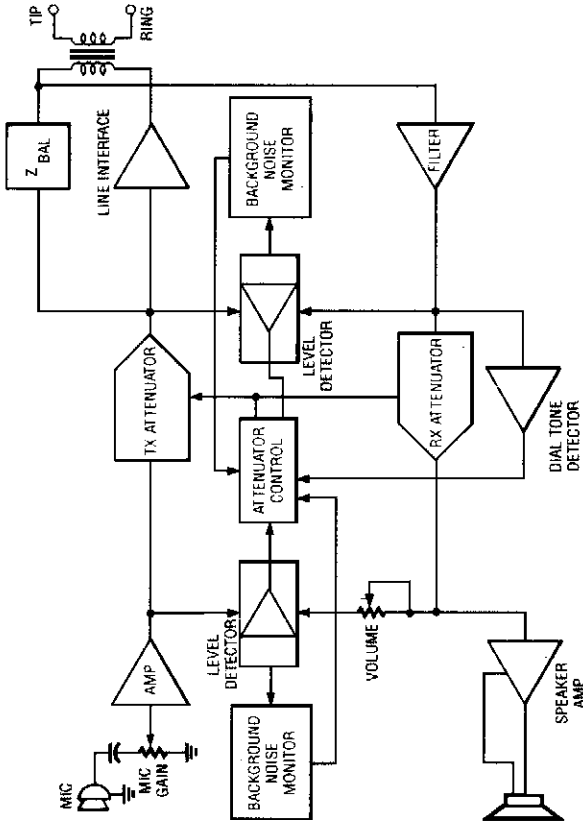


POPULAR ELECTRONICS

FIG. 100-10

U1, an LS3404 melody chip is activated when "hold" S1 is pressed, which causes SCR1 to conduct and hold the telephone line via T1, R1, and LED1. The voltage across R1 and LED1 is used to activate the melody chip. Q1 and Q2 form a restart circuit to keep the melody chip going during hold.

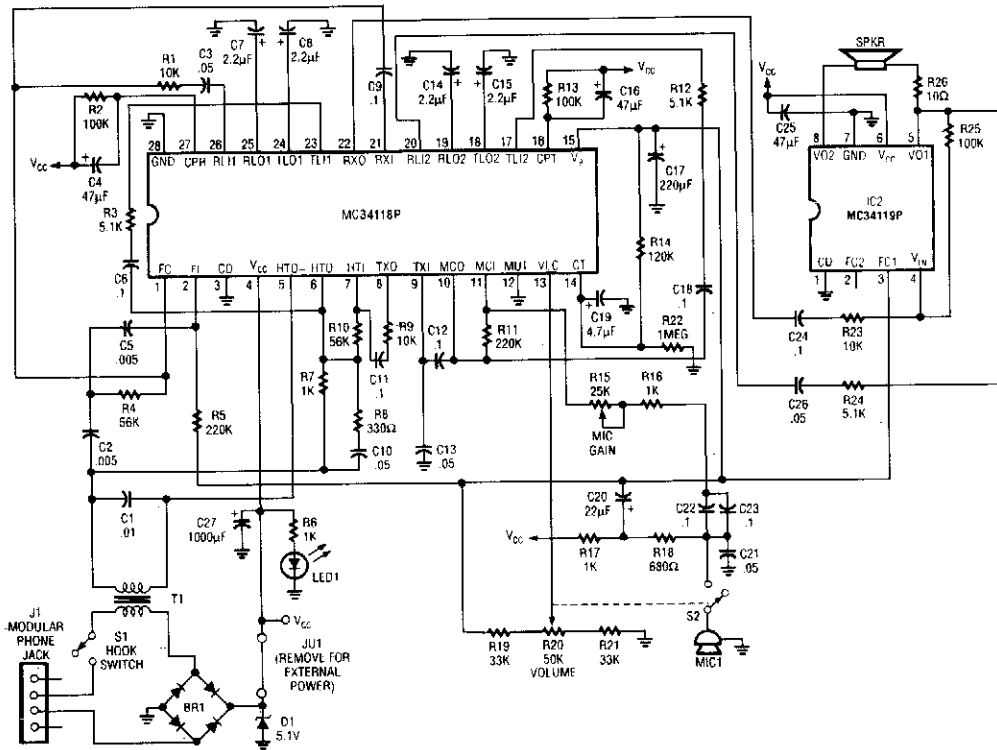
SPEAKERPHONE ADAPTER



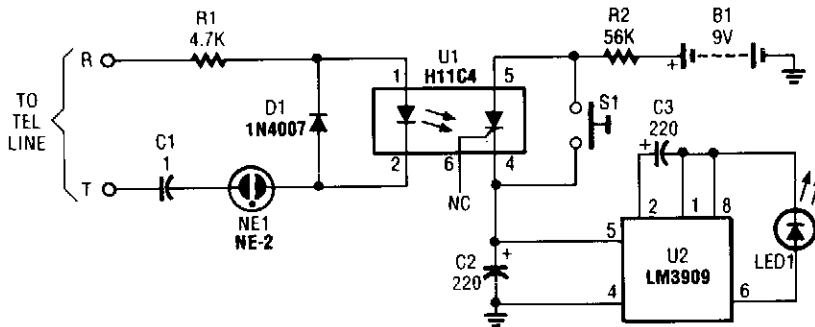
BLOCK DIAGRAM. The talk path goes left to right on the upper half of the drawing, and the receive path goes from right to left.

Using a Motorola MC34118 speakerphone IC, this adapter can be used with a regular telephone to provide speaker capability. This device is powered from the phone line, but it can be powered via an external power supply if the line loop current is marginally low. An external phone is needed for ringing and dialing functions.

SPEAKERPHONE ADAPTER (Cont.)

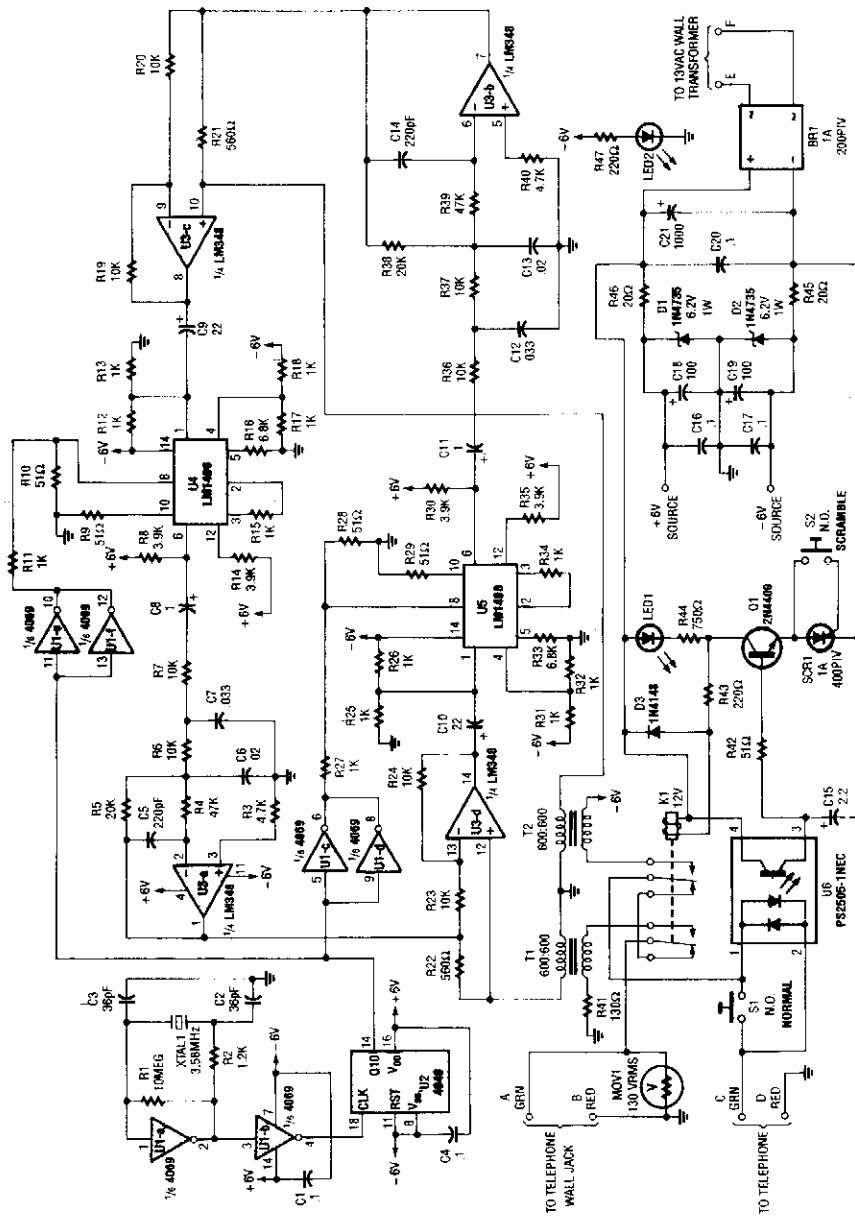


TELEPHONE VOICE-MAIL ALERT



The circuit is built around a couple of low-cost ICs: an H11C4 optoisolator/coupler with an SCR output (U1) and an LM3909 LED flasher (U2). It is connected to the phone line in the same manner as any extension phone. A ring signal on the telephone activates the optoisolator/SCR, and causes U2 to flash LED1. This flash signifies that a ring signal has been received.

TELEPHONE SCRAMBLER

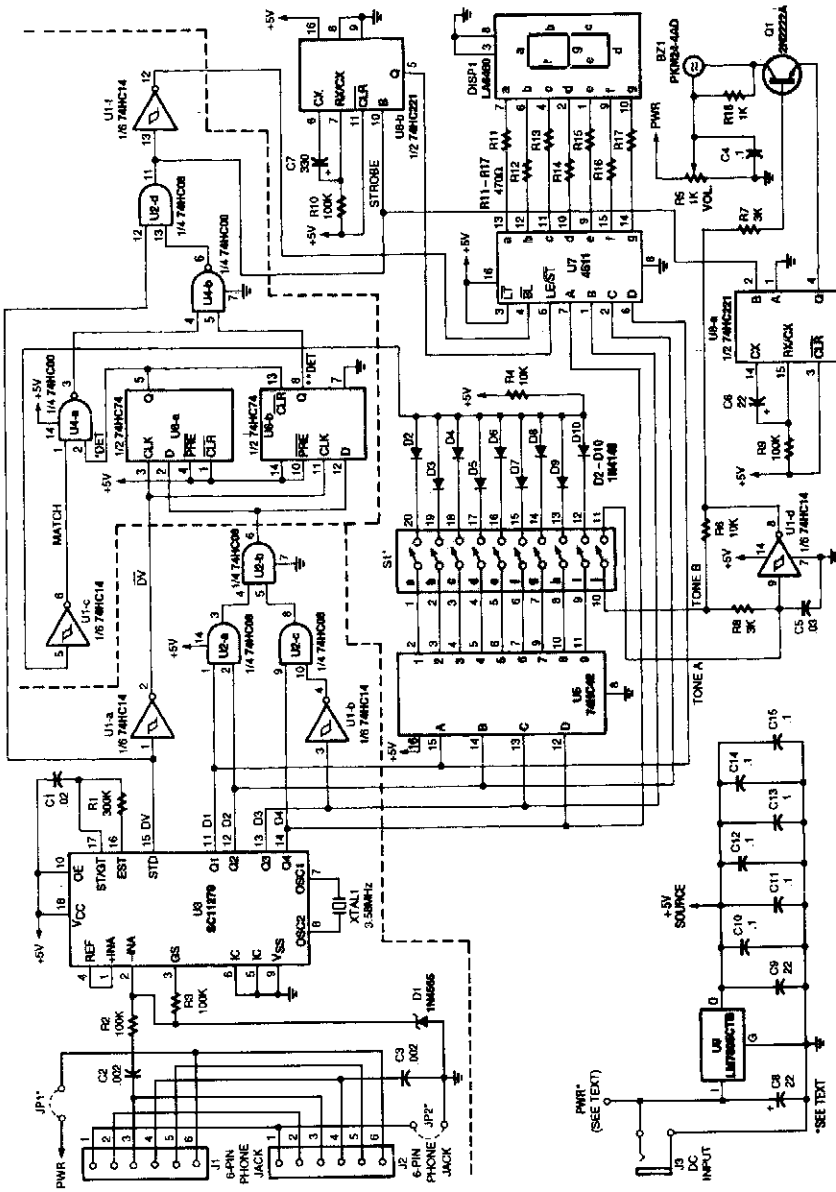


POPULAR ELECTRONICS

FIG. 100-13

Two hybrids (T1 and T2) are used to allow direct connection to a telephone line. This circuit uses the common speech-inversion algorithm where the frequency of an audio signal is inverted about a center frequency. An LM1496 balanced modulator is used to heterodyne the speech range against a 3.58-kHz signal.

PHONE PAGER

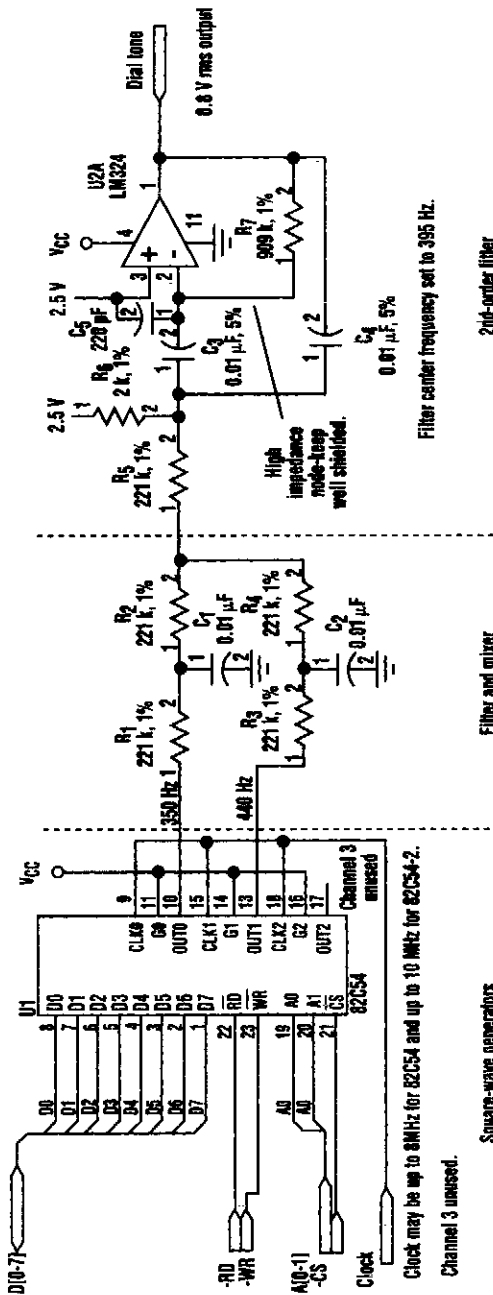


POPULAR ELECTRONICS

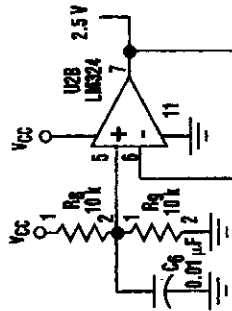
FIG. 100-14

This pager allows you to use your in-house phone wiring as a PA system. It uses two tone decoders to detect a particular touch-tone key. This key enables an audio amplifier.

5-V DIAL-TONE CIRCUIT



Square-wave generators



82C54 PROGRAMMING INFORMATION

- OUT BASE, 76h ; Set up channel 1 as sqr wave divider
- OUT BASE+1, DIVISOR low byte ; Enter divisor for 350Hz, low byte
- OUT BASE+1, DIVISOR high byte ; Enter divisor for 350Hz, high byte
- OUT BASE, 0b6h ; Set up channel 2 as sqr wave divider
- OUT BASE+2, DIVISOR low byte ; Enter divisor for 440Hz, low byte
- OUT BASE+2, DIVISOR high byte ; Enter divisor for 440Hz, high byte

For 1.8432MHz Clock, 350 Hz divisor = 5266 or 1492 hex.
For 1.8432MHz Clock, 440 Hz divisor = 4189 or 105d hex.

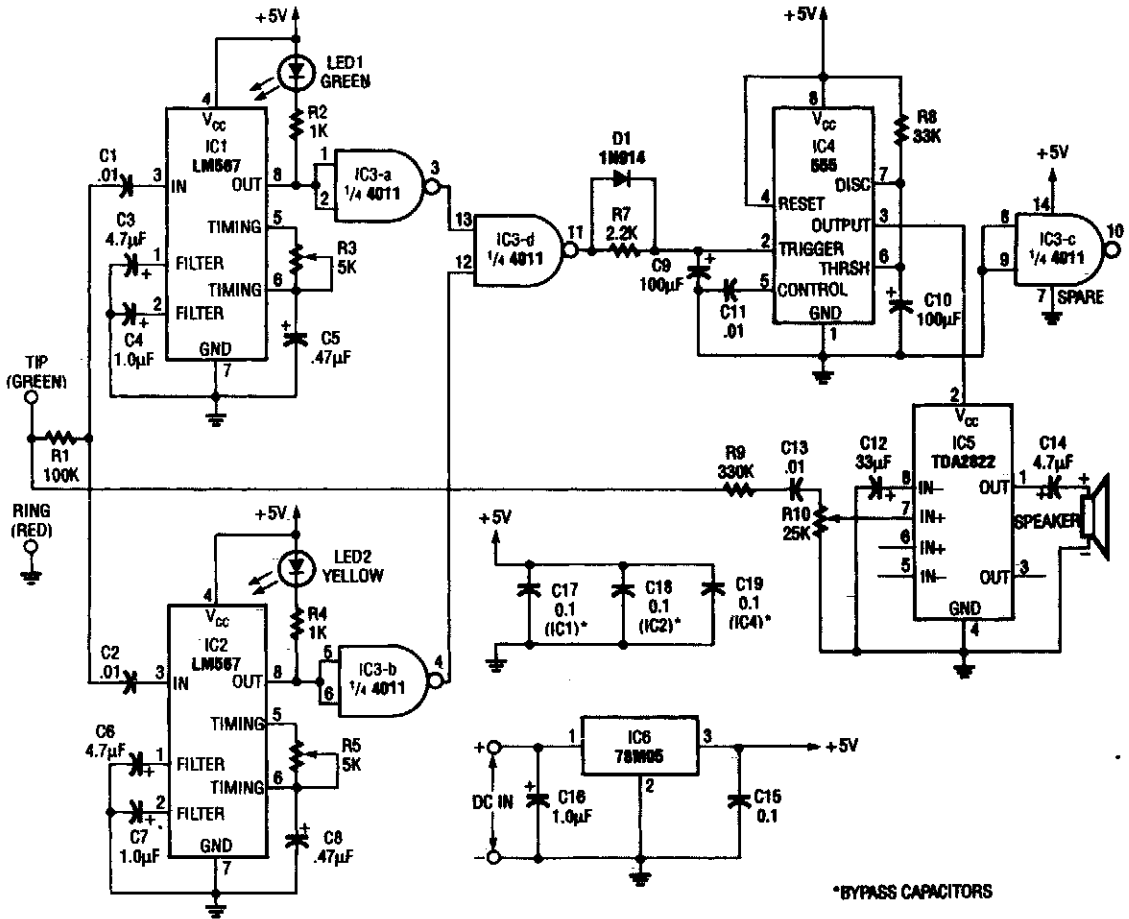
ELECTRONIC DESIGN

This circuit uses inexpensive, common components to generate a precise dial tone for phone applications (see the figure). U1 (an Intel 82C54 timer-counter) generates 350- and 440-Hz square waves that are filtered by R_1/C_1 and R_3/C_2 , and mixed together by resistors R_2 and R_4 .

An operational amplifier configured as a 395-Hz, Sallen-Key, second-order bandpass filter (halfway between 350 and 440 Hz) removes unwanted signal harmonics. Almost any timer-counter can be used as the signal source, so long as it produces roughly square-wave outputs.

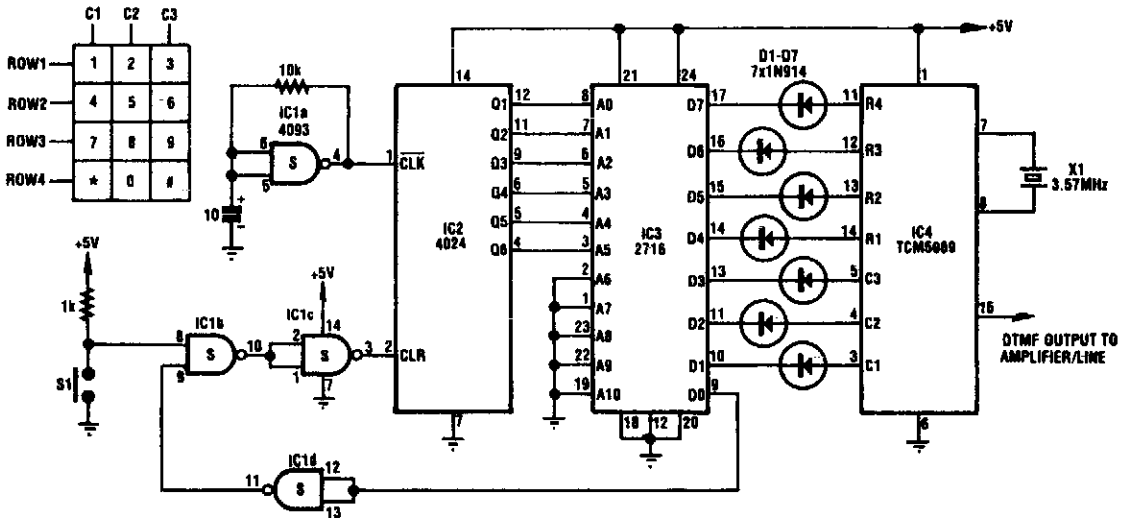
FIG. 100-15

PHONE PAGER



This pager works with DTMF phones. It displays a number and sounds an alert as the number on the display corresponds to a specific message.

ALARM DIALER



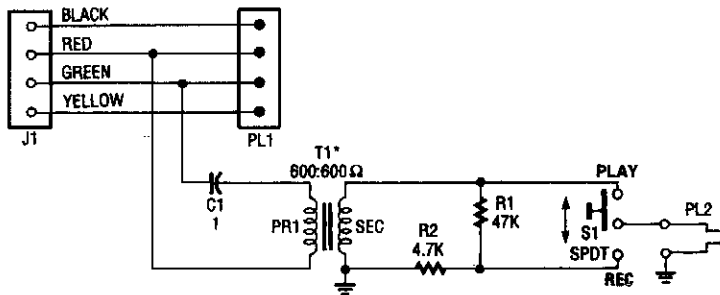
SILICON CHIP

FIG. 100-17

This circuit dials a stored DTMF tone sequence from EPROM when a control line is taken to 0 V. IC1 is a Schmitt trigger oscillator, running at around 2 Hz. It clocks a 4024 binary counter. The counter's outputs connect to the address leads of the EPROM. A 2716 was used here, but the choice of EPROM is by no means critical.

Normally, the counter is held reset by a logic 1 on its reset pin (pin 2). When the trigger input is sent low, pin 10 of IC1 goes low, pin 3 goes high, and the reset is removed from the counter. It then begins to clock, incrementing the EPROM. When moved from address 000000, the data on bit D0 of the EPROM changes to a logic 1 and holds the circuit running. The last address should have data 11111110 to reset the circuit to standby.

TELEPHONE AUDIO INTERFACE

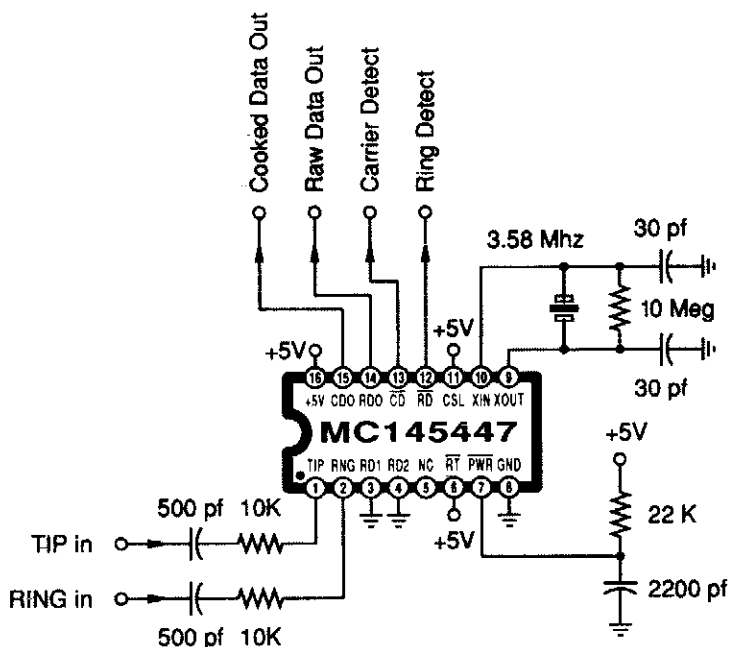


POPULAR ELECTRONICS

FIG. 100-18

Used to record and play back tapes via the phone lines, this simple circuit has an audio level switch (S1).

CALLER ID CIRCUIT



RADIO-ELECTRONICS

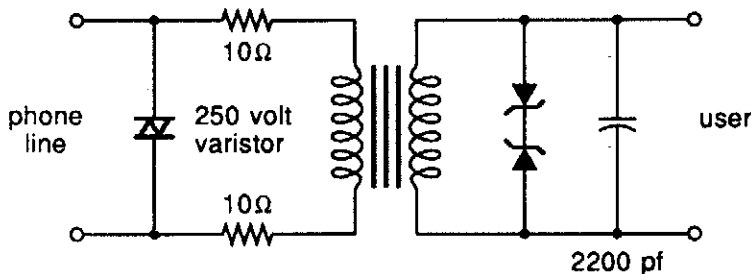
FIG. 100-19

This caller ID circuit uses the Motorola MC145447 IC chip. This service must be available from your local phone company in order for this circuit to be used.

FCC PART 68 PHONE INTERFACE

The transformer is 1:1
600 Ohms, with a 1500
volt breakdown rating.

The zener diodes are
3.9 volt devices, such
as a type 1N5228.

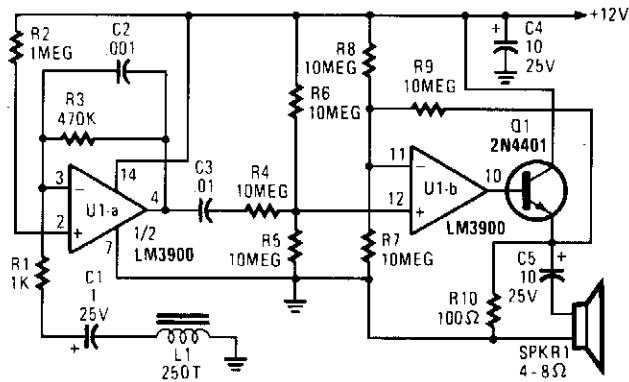


RADIO-ELECTRONICS

FIG. 100-20

An FCC Part 68 interface is required any time you connect any circuit of your own to the phone line.

TELEPHONE AMPLIFIER



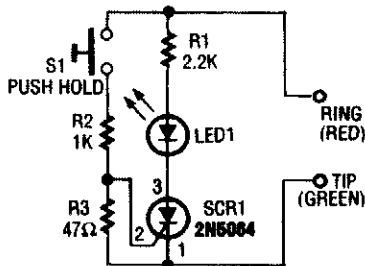
POPULAR ELECTRONICS

FIG. 100-21

Section U1-a is configured as a high-gain inverting voltage amplifier that is inductively coupled to the phone line via L1. Inductor L1 is a homemade unit that consists of 250 turns of fine, enamel-coated wire that is wound on an iron core. The op amp receives the few mV produced by L1 via C1 and R1 and amplifies the signal. Capacitor C1 acts as the negative-feedback component that limits the circuit's high-frequency gain, while R3 limits the low-frequency gain. Resistor R3 is particularly important because without it, the amplifier would saturate.

Op amp U1-b is configured as a difference amplifier. It receives a signal from U1-a via C3 and R4 and amplifies the difference between it and half of the supply voltage. Transistor Q1 is configured as a common-collector amplifier ensuring sufficient signal to drive the speaker. Capacitor C5 is used to remove any dc component provided by transistor Q1.

TELEPHONE HOLD CIRCUIT

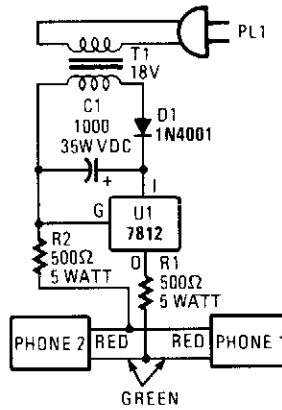


When S1 is pressed, the SCR fires, and places LED1 and R1 across the phone line. The line voltage drops to about 20 V, which holds the connection to the phone company's central office.

ELECTRONICS NOW

FIG. 100-22

TELEPHONE CIRCUIT

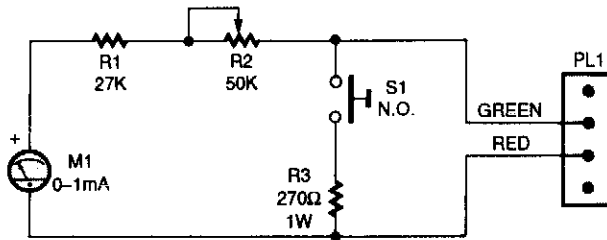


POPULAR ELECTRONICS

FIG. 100-23

This circuit is useful for checking out old telephones by providing them with the dc voltage that they require for operation.

TELEPHONE-LINE TESTER



POPULAR ELECTRONICS

FIG. 100-24

The telephone-line tester consists of nothing more than a meter (that's used to measure line voltage in the on- and off-hook state), three resistors (one of which is variable), a pushbutton switch, and a modular telephone connector. When the circuit is connected to the telephone line, a meter reading of 5 to 10 V (when S1 is pressed) indicates that the line is okay.

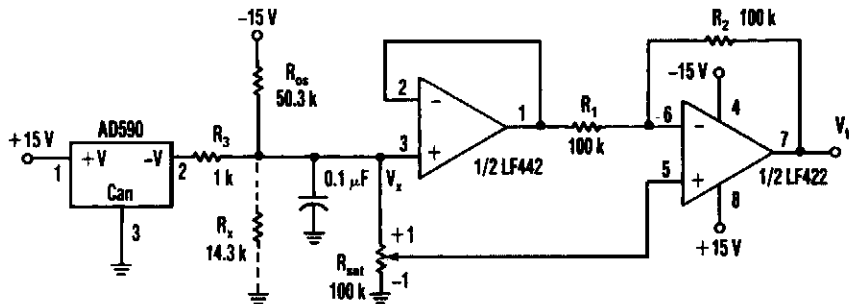
101

Temperature-Related Circuits

The sources of the following circuits are contained in the Sources section, which begins on page 675. The figure number in the box of each circuit correlates to the entry in the Sources section.

Temperature Compensation Adjuster
Thermometer for 5-V Operation
Hook Sensor on 4- to 20-mA Loop
Basic Digital Thermometer
Remote Temperature Sensing
Temperature Sensor
Low Temperature Sensor
Electronic Thermostat

TEMPERATURE COMPENSATION ADJUSTER

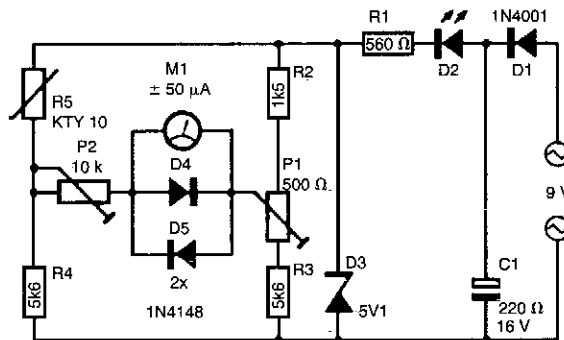


ELECTRONIC DESIGN

FIG. 101-1

The circuit shown delivers +10 to -10 mV/°C output using an Analog Devices' AD590 temperature transducer. R_x is a scaling resistor.

THERMOMETER FOR 5-V OPERATION



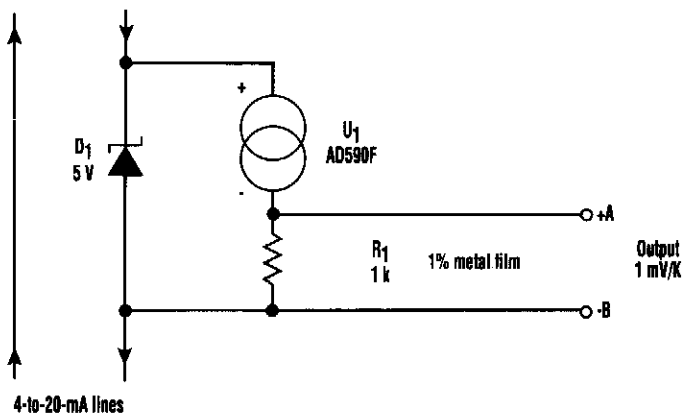
303 CIRCUITS

FIG. 101-2

At the heart of this simple circuit is the well-known type KTY10 temperature sensor from Siemens. This silicon sensor is essentially a temperature-dependent resistor that is connected as one arm in a bridge circuit here. Preset P1 functions to balance the bridge at 0°C. At that temperature, moving coil meter M1 should not deflect, i.e., the needle is in the center position. Temperature variations cause the bridge to be unbalanced, and hence produce a proportional indication on the meter. Calibration at, say, 20°C is carried out with the aid of P2.

The bridge is fed from a stabilized 5.1-V supply, based on a temperature-compensated zener diode. It is also possible to feed the thermometer from a 9-V battery, provided D1-D3, R1 and C1 are replaced with a Type 78L05 voltage regulator, because this is more economic as regards to current consumption.

HOOK SENSOR ON 4- TO 20-mA LOOP



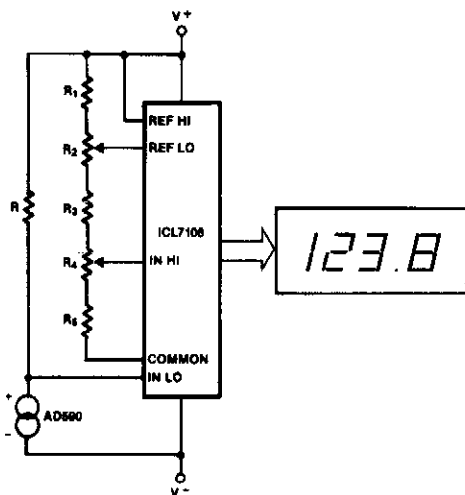
ELECTRONIC DESIGN

FIG. 101-3

Here's an effective for a temperature sensor to receive power from a 4-to-20 mA loop without actually affecting the loop current (see the figure). This particular temperature sensor IC (AD590F) conducts 1 $\mu\text{A}/\text{K}$ when powered by a supply in the range of 4 V to 40 Vdc.

The scheme uses a 5-V Zener diode (D1) to regulate the power source for AD590F. Most of the current flows through the Zener diode and a small current flows through AD590F. A high-impedance device can read the temperature information across R1, which is a 1 mV/K in the range of -55°C to 150°C . The waste of power is negligible in this arrangement.

BASIC DIGITAL THERMOMETER



	R	R ₁	R ₂	R ₃	R ₄	R ₅
$^{\circ}\text{F}$	9.00	4.02	2.0	12.4	10.0	0
$^{\circ}\text{C}$	5.00	4.02	2.0	5.11	5.0	11.8

$$\sum_{n=1}^5 R_n = 28\text{k}\Omega \text{ nominal}$$

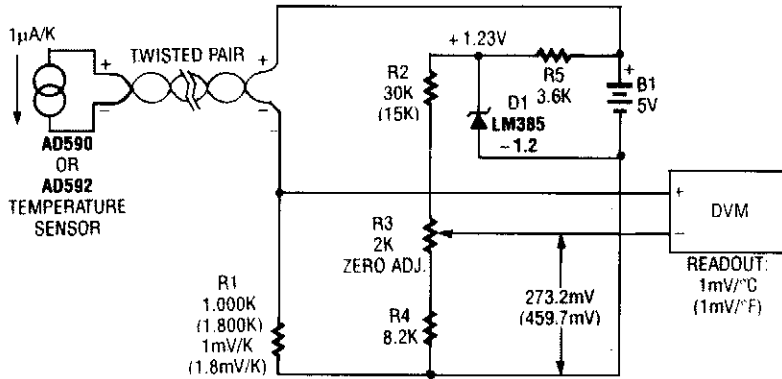
All values in $\text{k}\Omega$

The ICL7106 has a V_{IN} span of $\pm 2.0\text{V}$, and a V_{CM} range of $(V^+ - 0.5)$ Volts to $(V^- + 1)$ Volts; R is scaled to bring each range within V_{CM} while not exceeding V_{IN} . V_{REF} for both scales is 500mV. Maximum reading on the Celsius range is 199.9°C , limited by the (short-term) maximum allowable sensor temperature. Maximum reading on the Fahrenheit range is 199.9°F (93.3°C), limited by the number of display digits. See note next page.

INTERSIL

FIG. 101-4

REMOTE TEMPERATURE SENSING

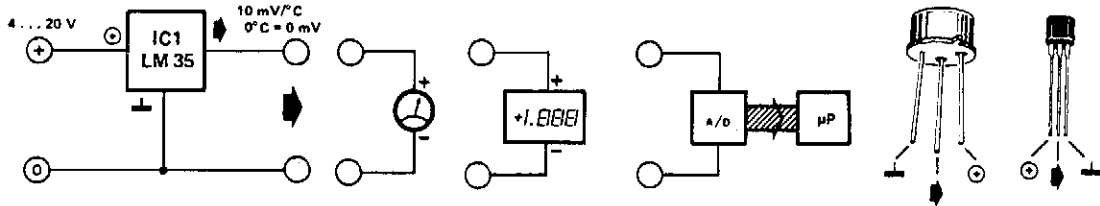


RADIO-ELECTRONICS

FIG. 101-5

An AD590 or AD592 makes it easy to transmit temperature data over a pair of wires. The circuit produces 1mV/°C (or 1mV/°F using the values in parentheses).

TEMPERATURE SENSOR

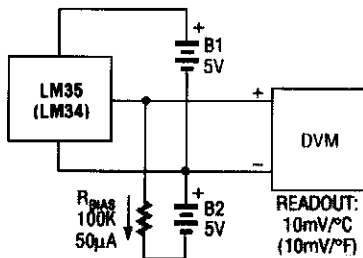


303 CIRCUITS

FIG. 101-6

The LM35 temperature sensor provides an output of 10 mV/°C for every degree Celsius over 0°C. At 20°C the output voltage is $20 \times 10 = 200$ mV. The circuit consumes 60 μA . The load resistance should not be less than 5 k Ω . A 4- to 20-V supply can be used.

LOW TEMPERATURE SENSOR



A negative bias current can produce the offset needed for below-zero readings using the LM34 or LM35 temperature sensor.

RADIO-ELECTRONICS

FIG. 101-7

ELECTRONIC THERMOSTAT

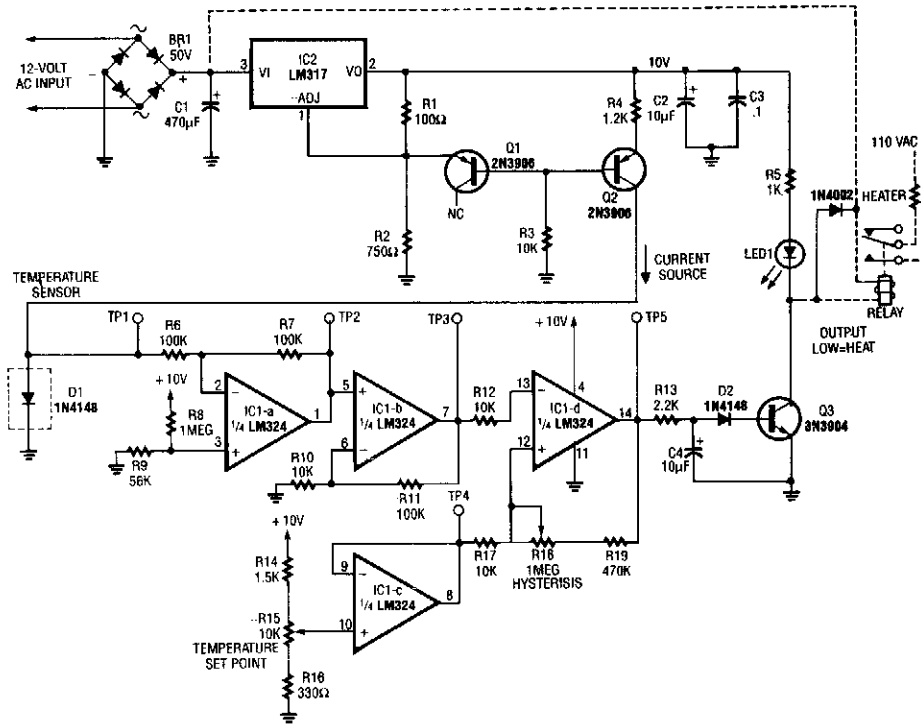


TABLE 1—RESISTOR VALUES

Temperature Range (Degrees C)	R14	R15	R16
- 50 to - 30	10K	1K	330Ω
- 30 to - 10	9.1K	1K	1.2K
- 10 to 15	8.2K	1K	2.2K
15 to 35	7.5K	1K	3.3K
35 to 55	6.2K	1K	4.3K
55 to 75	5.1K	1K	5.1K
75 to 95	4.3K	1K	6.2K
95 to 115	3.3K	1K	6.8K
115 to 135	2.2K	1K	8.2K
135 to 155	1.2K	1K	9.1K

A diode, such as a 1N4148, has a typical $-2\text{m V}/^\circ\text{C}$ temperature coefficient at a 1 mA diode current. Q1 and Q2 form a constant current source. D1 is the temperature sensor. IC1-a and -b are dc amplifiers, with IC1-c a temperature reference voltage supply. IC1-d is a comparator with variable hysteresis. R14, R15, and R16 are chosen depending on the thermostat range desired. Q3 is a relay driver (2N3904). The relay used should handle the load current or an optoisolator triac combination can be used.

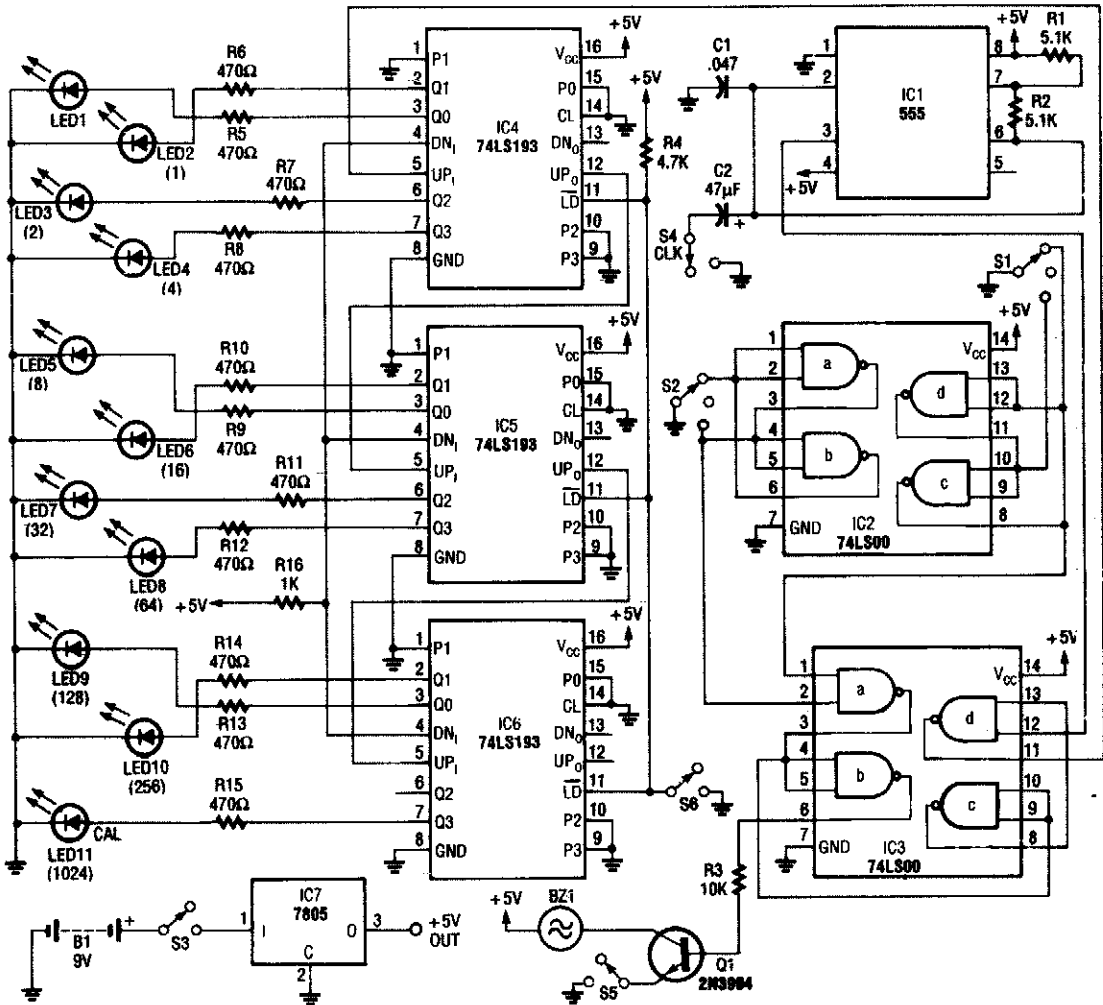
102

Timer Circuits

The sources of the following circuits are contained in the Sources section, which begins on page 675. The figure number in the box of each circuit correlates to the entry in the Sources section.

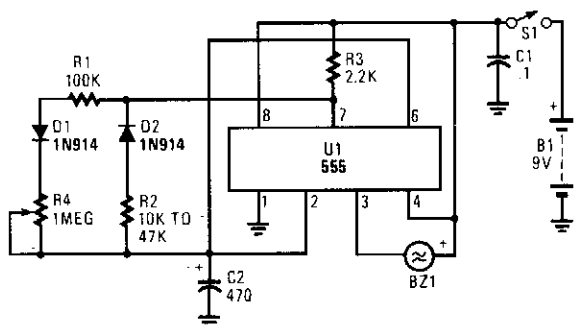
Reflex Timer
Tele-Timer
Three-Stage Sequential Timer
2- to 2000-Minute Timer
Long Period Timer
Wide-Range Timer—1 Minute to 400 HRS
Long Delay-Period Timer
Count-Down Timer
Extended On-Time Timer

REFLEX TIMER



This timer circuit uses a 555 IC timer and three 74LS193 counters to drive an LED display. S1 is activated by one person, who turns on piezo buzzer BZ1 via Q1 and also starts the clock; S1 is activated by the other person being timed. This shuts off the timer, and the number of LEDs lit indicate, in binary form, the elapsed time.

TELE-TIMER



Here's how the dual timer operates. When the power is switched on, C2 begins to charge through R3, R1, D1, and R4 to start the long-term timer period. When the voltage across C2 reaches the 555's internal switching point, the long-term timer times out, discharging C2 through R2, D2, and pin 7 of the 555. During that time, pin 3 of the 555 is pulled to ground, activating the piczo sounder.

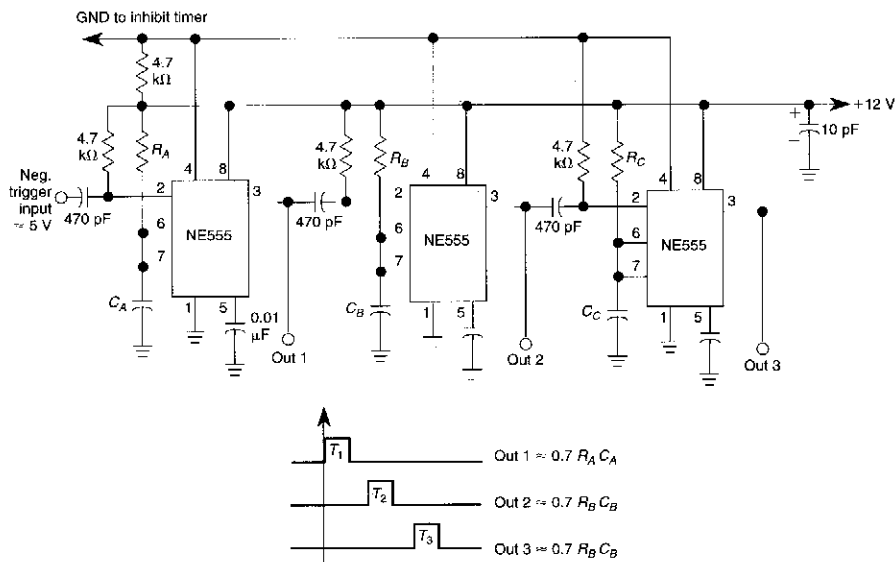
To set the short time period to about four seconds, use a 10 k resistor for R2, and for about twenty seconds use a 47 k resistor. The timing capacitor, C2, should be a good-quality, low-leakage unit.

POPULAR ELECTRONICS

FIG. 102-2

The circuit is built around a 555 oscillator/timer. The circuit provides two time periods. The long-running time period is adjustable from about 1 to 10 minutes, and the short time period is pre-set to about three seconds.

THREE-STAGE SEQUENTIAL TIMER

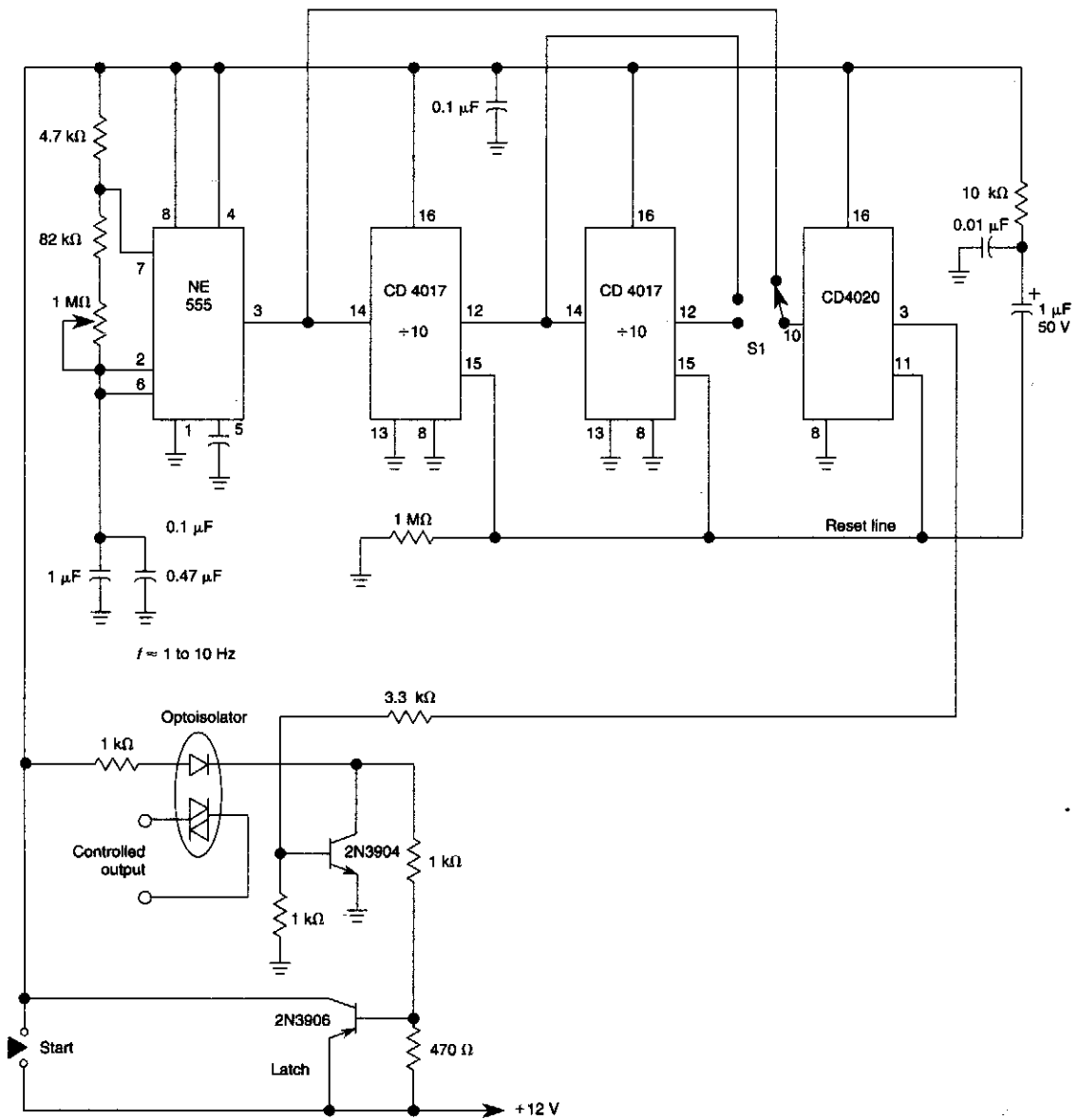


WILLIAM SHEETS

FIG. 102-3

By using three 555 ICs, three sequential pulses can be generated. Output 3 can be connected back to trigger input to achieve astable operation.

WIDE-RANGE TIMER—1MINUTE TO 400 HRS

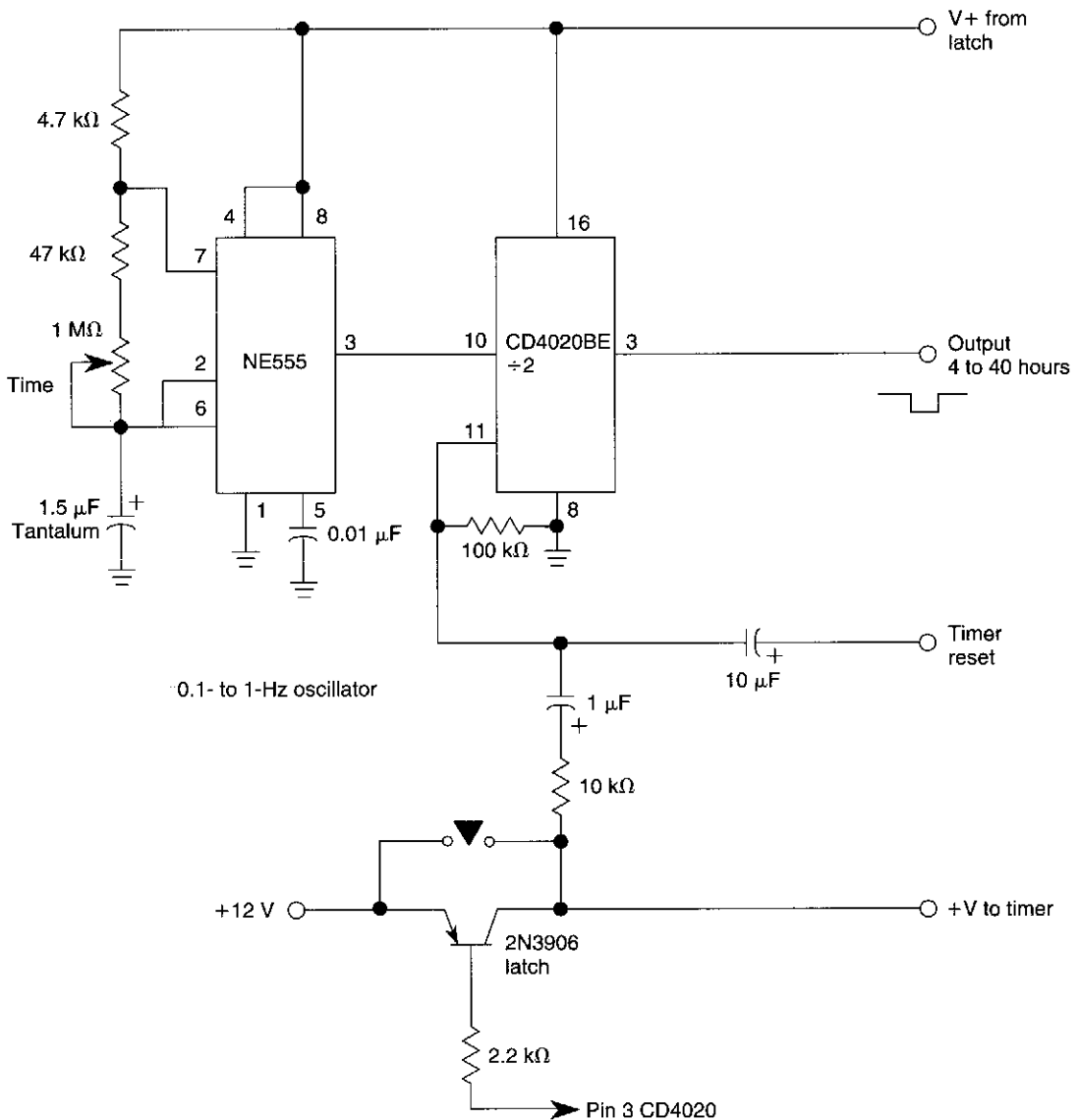


WILLIAM SHEETS

FIG. 102-6

This ultra wide range timer uses a 555 timer base, two 4017Bs and a 4020B that act as frequency dividers that can be switched in and out. S1 is a SP3T range switch.

LONG-DELAY-PERIOD TIMER

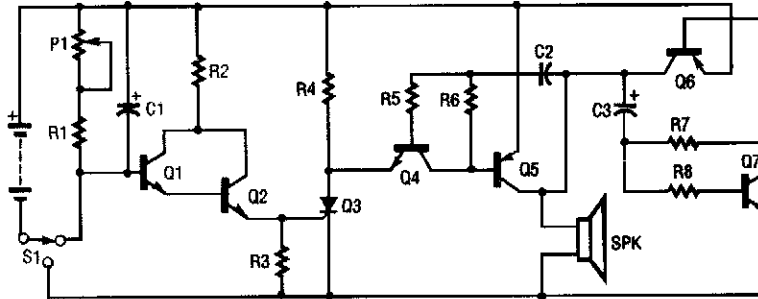


WILLIAM SHEETS

FIG. 102-7

This method of obtaining a 4 to 40 hour timing period from a 555 IC can be further expanded to produce even longer delays with equal accuracy.

COUNT-DOWN TIMER



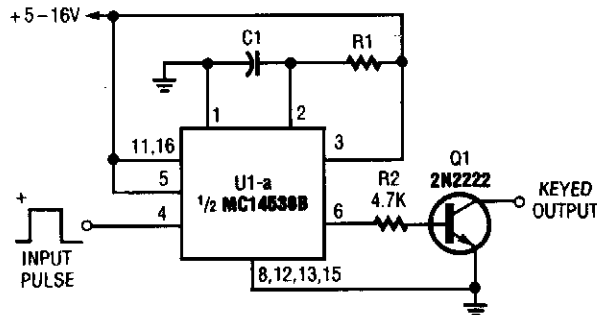
1991 PE HOBBYIST HANDBOOK

FIG. 102-8

C1	100-μF Electrolytic Capacitor	R3	33-kΩ Resistor
C2	0.0047-μF Mylar Capacitor	R4	200 Ω Resistor
C3	1-μF Electrolytic Capacitor	R5	2.2-kΩ Resistor
P1	2-MΩ Trimmer Resistor	R6	220-kΩ Resistor
Q1, Q2, Q4, Q7	2N3904 Transistor	R7	2.2-MΩ Resistor
Q3	106 SCR	R8	7.5-kΩ Resistor
Q5, Q6	2N3906 Transistor	S1	SPDT Slide Switch
R1	1-MΩ Resistor	SPK	Small Speaker
R2	10-kΩ Resistor	Misc	PC Board, 9-V Snap Wire

With switch S1 in the off position, as shown, battery voltage is applied across timing-capacitor C1, which stays charged while the rest of the circuitry has no power supplied to it. Transistor Q1, and thus transistors Q2 through Q4, are kept in an off condition as long as C1 has a sufficient charge.

EXTENDED ON-TIME TIMER



POPULAR ELECTRONICS

FIG. 102-9

Half of a Motorola MC14538B dual, precision, retriggerable monostable multivibrator is used to form an extended on-time timer circuit. That type of circuit can be used as a switch debouncer. Such circuits are often used in digital circuitry, where each and every bounce of a switch contact is seen as a separate digital input.

The delay on time (established by C1 and R1) is easily set using the formula, $C_1 \times R_1 = T$, where C_1 is in microfarads, R_1 is in megohms, and T is in seconds.

103

Tone Circuits

The sources of the following circuits are contained in the Sources section, which begins on page 675. The figure number in the box of each circuit correlates to the entry in the Sources section.

Repeater-Tone Burst Generator
Two-Tone Encoder

REPEATER-TONE BURST GENERATOR

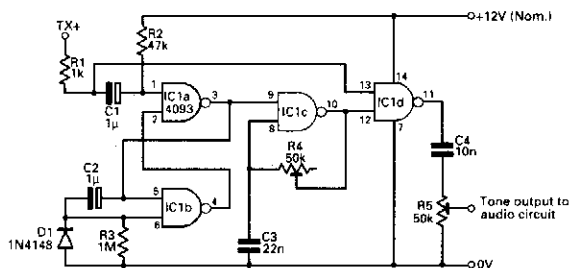


Fig. 1: The circuit, based on a single c.m.o.s chip and a few other components.

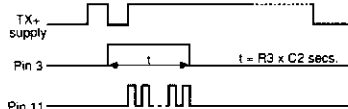


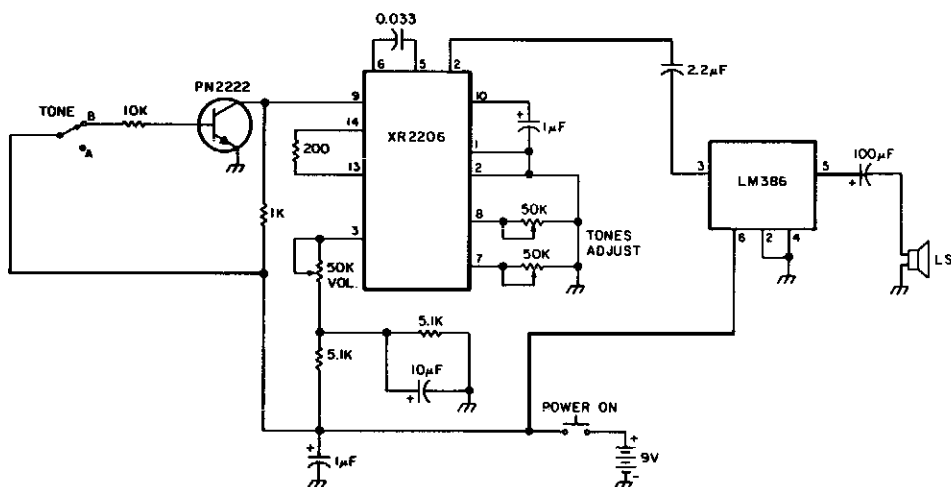
Fig. 2: Pulse and timing diagram, see the text for more details.

PRACTICAL WIRELESS

FIG. 103-1

Integrated circuit gates IC1-a and IC1-b form a monostable, whose time constant is determined by C_2 and R_3 . When the transmitter is dekeyed (and then almost immediately rekeyed) point TX+ goes low and takes pin 1 low for a short time. This triggers the start of the timing period controlled by C_2/R_3 . The capacitor C_2 , charges via R_3 until the trigger point of gate IC1-b is reached. At this point, the monostable changes state and pin 3 goes low again. On the prototype, this time was about 700 ms. The pulse occurs each time after dekeying and it is normally inaudible. If, however, point TX+ goes high again (as in immediate rekeying) the monostable is still in the enabled state and the oscillations of IC1-c are present in the transmission. During this time period, the buffer gate, IC1-d, is enabled and the tone is therefore passed to the output.

TWO-TONE ENCODER



73 AMATEUR RADIO

FIG. 103-2

Using an XR2206 oscillator, this circuit can generate two audio tones. Switching between tones can be done with a logic level to either the base of the PN2222 or pin 9 of the XR2206.

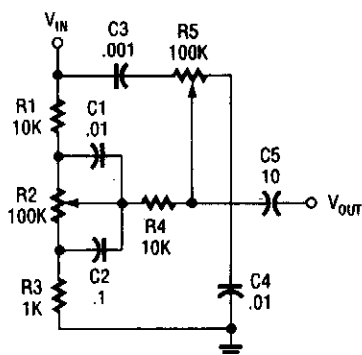
104

Tone-Control Circuits

The sources of the following circuits are contained in the Sources section, which begins on page 675. The figure number in the box of each circuit correlates to the entry in the Sources section.

Combined Bass and Treble Controls
Treble Tone Control
Bass Tone Control

COMBINED BASS AND TREBLE CONTROLS

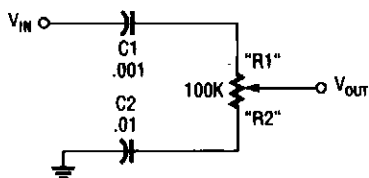


1993 ELECTRONICS HOBBYIST HANDBOOK

FIG. 104-1

Bass and treble circuits can be combined to form a two-control tone-adjust circuit, as shown here.

TREBLE TONE CONTROL

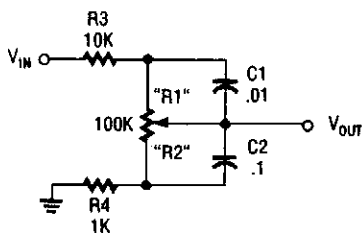


1993 ELECTRONICS HOBBYIST HANDBOOK

FIG. 104-2

The treble control has capacitors placed in series with the potentiometer.

BASS TONE CONTROL



1993 ELECTRONICS HOBBYIST HANDBOOK

FIG. 104-3

The frequency dependence of the capacitor's impedance permits this circuit to boost the bass frequencies.

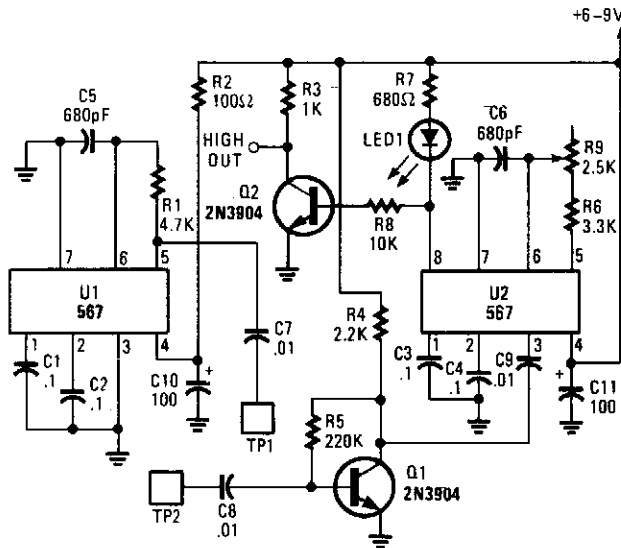
105

Touch-Control Circuits

The sources of the following circuits are contained in the Sources section, which begins on page 675. The figure number in the box of each circuit correlates to the entry in the Sources section.

Bridging Touch Plate Sensor
Touch Switch I
Touch Switch II
Touch On-Only Switch
Latching Touch Switch
Single Plate Touch Sensor

BRIDGING TOUCH PLATE SENSOR

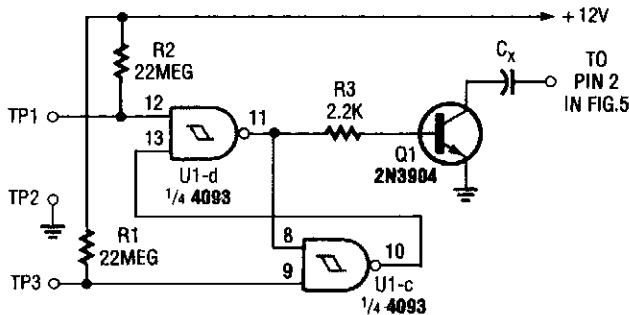


POPULAR ELECTRONICS

FIG. 105-1

In this circuit, two 567 tone decoders are used. One is an oscillator, the other is a detector. Bridging TP1 and TP2 causes U2 to receive U1's signal, which causes pin 8 of U2 to go low. This action lights LED1 and drives the output of Q2 high.

TOUCH SWITCH I

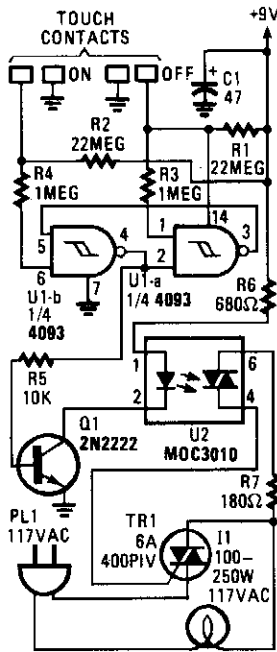


POPULAR ELECTRONICS

FIG. 105-2

Two NAND Schmitt triggers are connected in a flip-flop configuration to produce a bridged touch-activated switch.

TOUCH SWITCH II



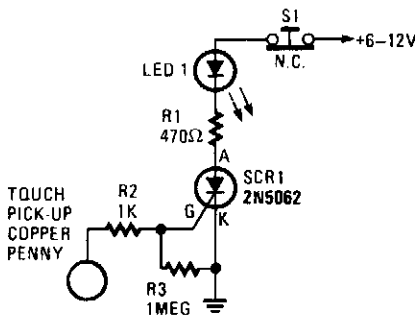
POPULAR ELECTRONICS

FIG. 105-3

When the touch-on contacts are bridged, pin 6 of U1-b goes low, which forces its output (the set output) at pin 4 to go high. That high divides along two paths: in one path, the output is applied to pin 2 of U1-a, which causes its output at pin 3 to go low. That low is, in turn, applied to pin 5 of U1-b, which latches the gate in a high output state. In the other path, the output of U1-b is used to drive Q1. When Q1 turns on, U2's internal LED lights, which turns on its internal, light-sensitive, triac-driver (diac) output element. The triac driver feeds gate current to TR1, causing it to turn on, and light the lamp (I1).

When the off contact is bridged, U1-a's output switches and latches high, causing U1-b's output to go low, turning off the lamp.

TOUCH ON-ONLY SWITCH

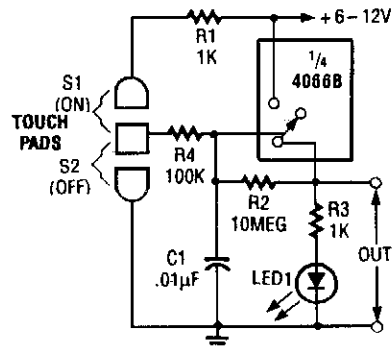


HANDS-ON ELECTRONICS

FIG. 105-4

This touch on-only switch can be triggered into conduction by electrical means, and can only be reset by way of a mechanical switch. When the touch terminal is contacted by a finger, the SCR turns on and illuminates LED1.

LATCHING TOUCH SWITCH USING CD4066B

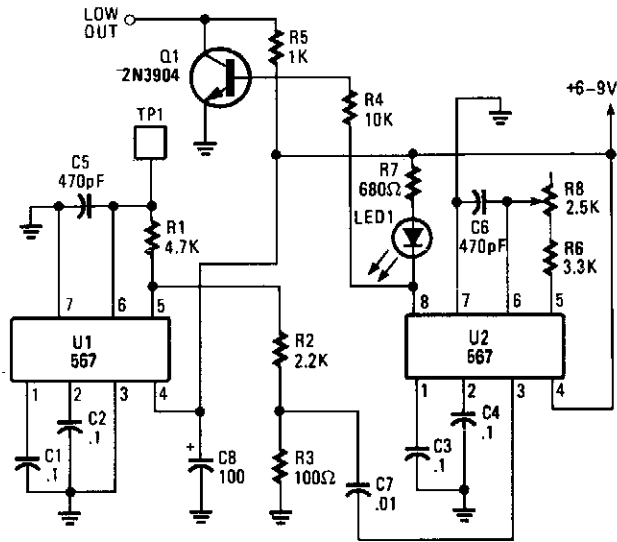


RADIO-ELECTRONICS

FIG. 105-5

When touch switch S1 is activated, R4 is driven high, and the control voltage goes high, which latches the switch. When S2 is activated, R4 goes low and the control voltage goes low, which deactivates the switch.

SINGLE-PLATE TOUCH SENSOR



POPULAR ELECTRONICS

FIG. 105-6

This system operates on the principle that capacitance loading of an oscillator will lower its frequency. When a foreign body comes into contact with touch plate, the frequency of U1 is lowered. This removes the oscillator signal from U1 from U2's passband, which causes U2 to lose lock, turns off the LED, and causes the collector of Q1 to go low.

106

Transmitter Circuits

The sources of the following circuits are contained in the Sources section, which begins on page 675. The figure number in the box of each circuit correlates to the entry in the Sources section.

27.125-MHz NBFM Transmitter

10-M DSB QRP Transmitter with VFO

ATV JR Transmitter 440 MHz

6-W Economy Morse-Code Transmitter for 7 MHz

Simple FM Transmitter

Vacuum-Tube Low-Power 80/40-Meter Transmitter

Tracking Transmitter

49-MHz FM Transmitter

QRP Transceiver for 18, 21, and 24 MHz

1750-Meter Transverter

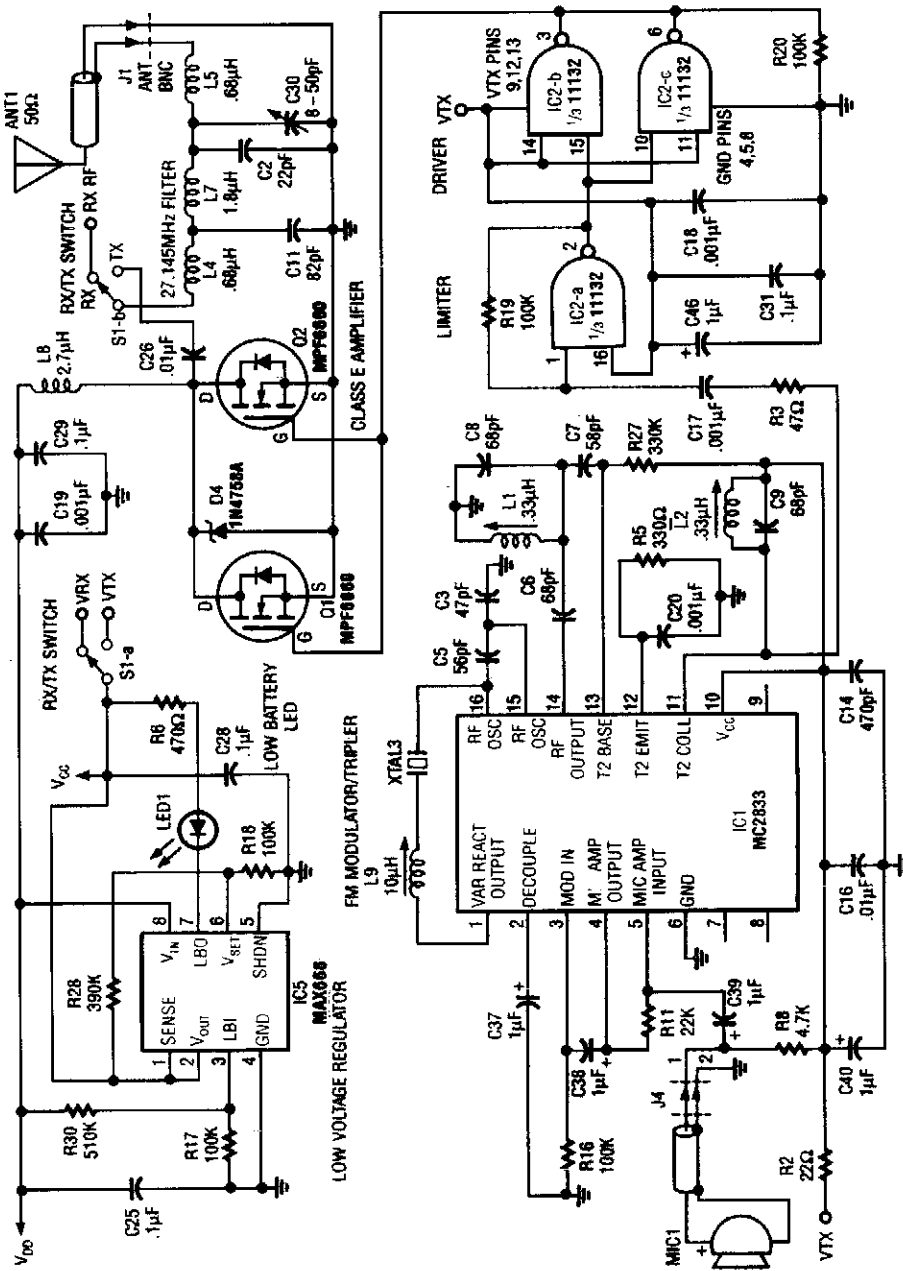
10-Meter DSB Transmitter

Low-Power 40-Meter CW Transmitter

FM Radio Transmitter

Low-Power 20-Meter CW Transmitter

27.125-MHz NBFM TRANSMITTER

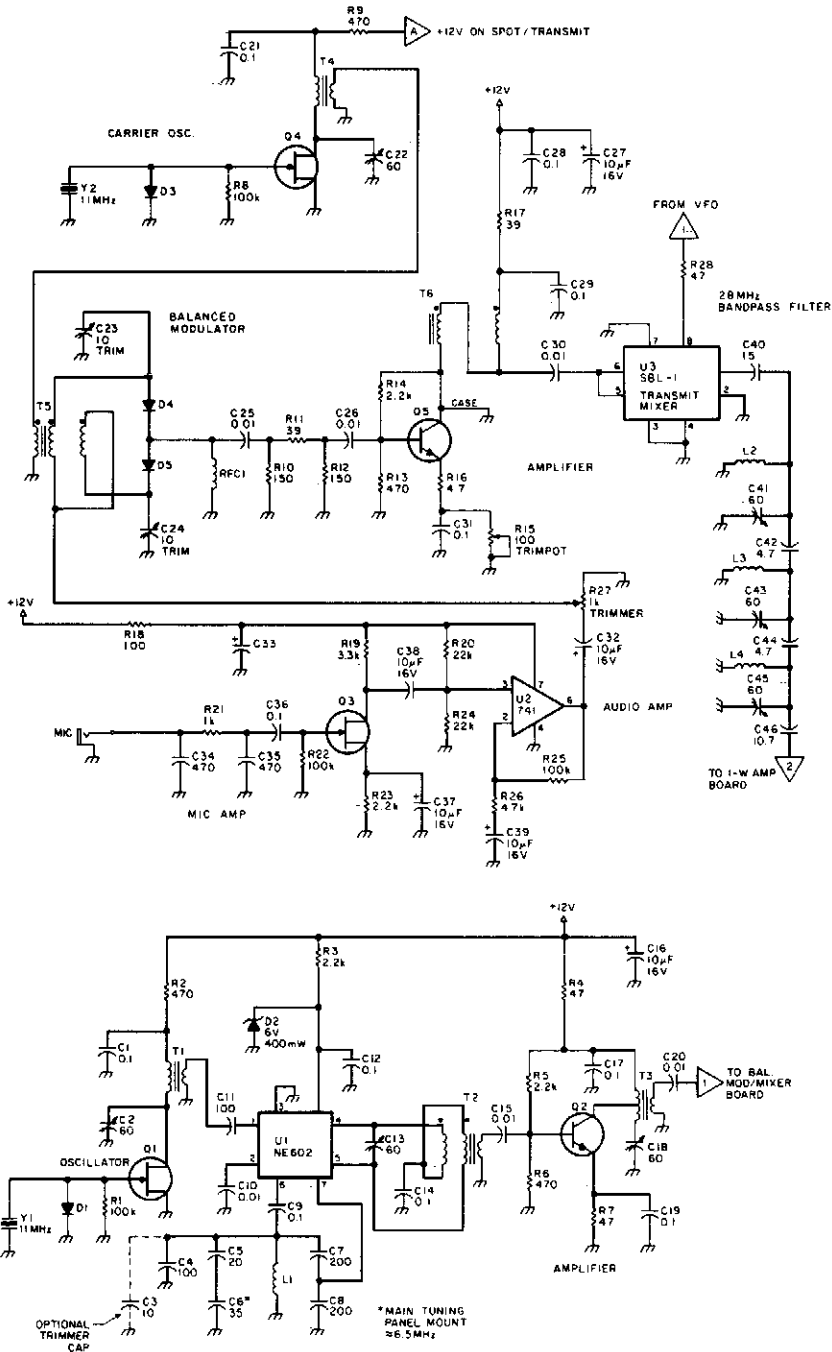


ELECTRONICS NOW

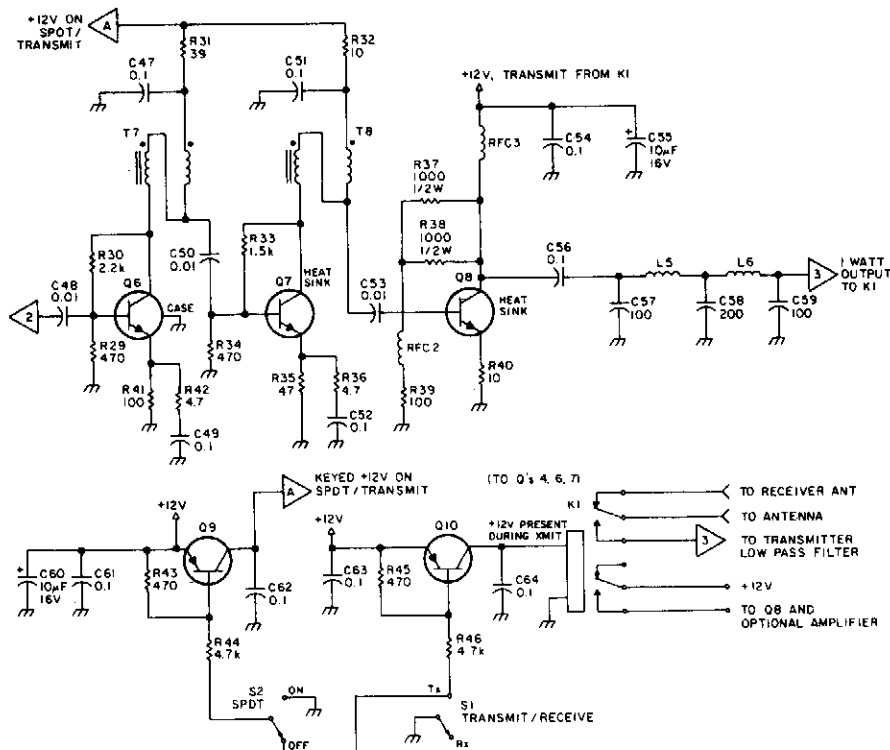
FIG. 106-1

Using a Motorola MC2833 one-chip FM transmitter, a few support components, and an MPF6660 FET RF amp, this transmitter delivers about 3 W into a 50-Ω load. It is capable of operation over about 29 to 32 MHz with the components shown.

10-M DSB QRP TRANSMITTER WITH VFO



10-M DSB QRP TRANSMITTER WITH VFO (Cont.)



The three schematics represent three building blocks for a 10-meter SSB transmitter. Or these blocks can be used separately as circuit modules for other transmitters. The VFO board uses an FET transmittal oscillator, the VFO signal is mixed in an NE602 mixer and is amplified by Q2 to a level sufficient to drive an SBL-1 mixer in the transmit mixer stage (+7 to +10 dBm). In the balance mixer/modulator board, an 11-MHz crystal oscillator drives a diode balanced mixer. Audio for modulation purposes is also fed to this mixer. The DSB signal feeds a 28-MHz BPF. The 1-W amplifier board consists of a 3-stage amplifier and transmit/receive switching circuitry.

ATV JR TRANSMITTER 440 MHZ

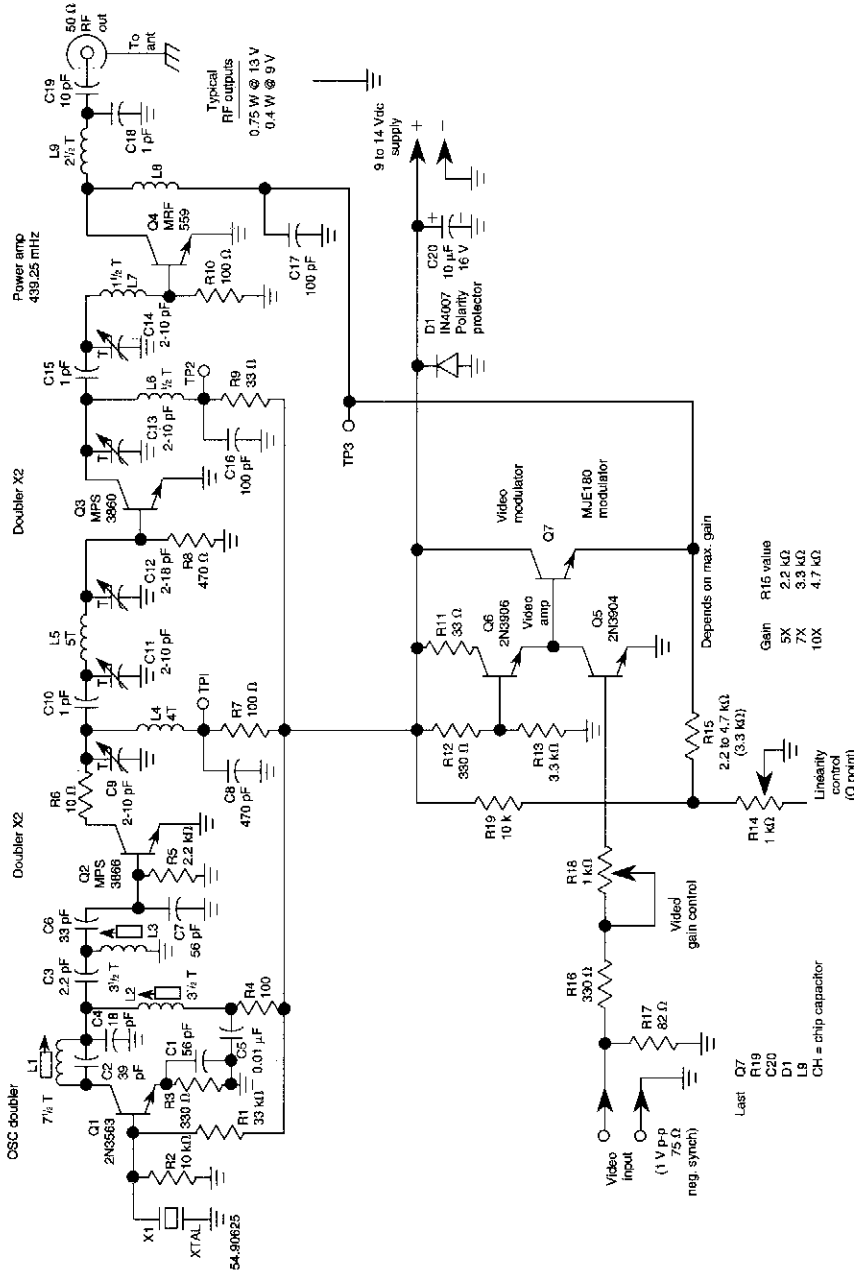
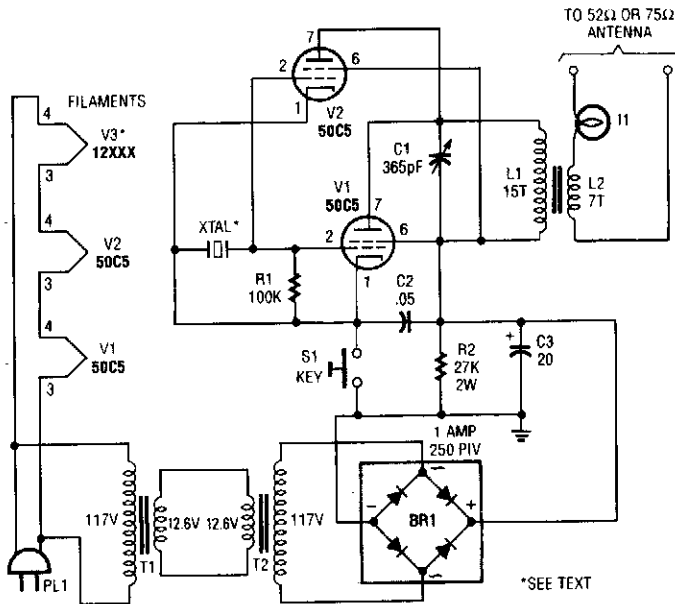


FIG. 106-3

WILLIAM SHEETS

This low-power video transmitter is useful for R/C applications, surveillance, or amateur radio applications. Seven transistors are used in a crystal oscillator-multiplier RF power amplifier chain, and a high-level video modulator. A 9- to 14-Vdc supply is required. Output is 0.4 to 1.2 W, depending on supply voltage. A complete kit of parts is available from North Country Radio, P.O. Box 53, Wykagyl Station, New Rochelle, NY 10804-00530

6-W ECONOMY MORSE-CODE TRANSMITTER FOR 7 MHz

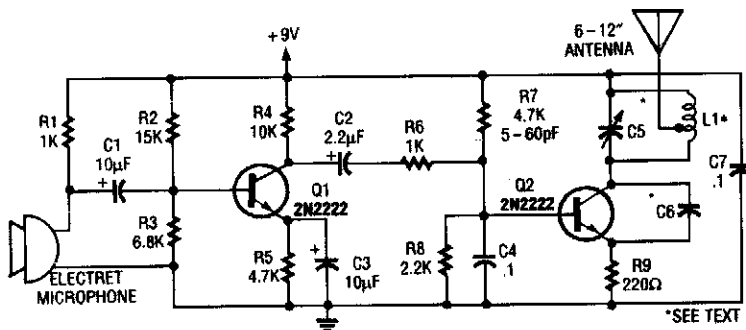


POPULAR ELECTRONICS

FIG. 106-4

The vacuum tube is still alive and useful in some applications, as in this CW transmitter. The circuit was built in old-fashioned breadboard style on a wooden base. Old table radios are a good source of parts for this circuit. V3 is used as a ballast resistor—a 75- Ω or 100- Ω 5-W resistor could be substituted. L1 is 15 turns of hookup wire on a $\frac{1}{8}$ " form 2" long. L2 is 7 turns of the same wire. L2 is wound over L1. Be careful as up to 160 V is present on V1 and V2.

SIMPLE FM TRANSMITTER

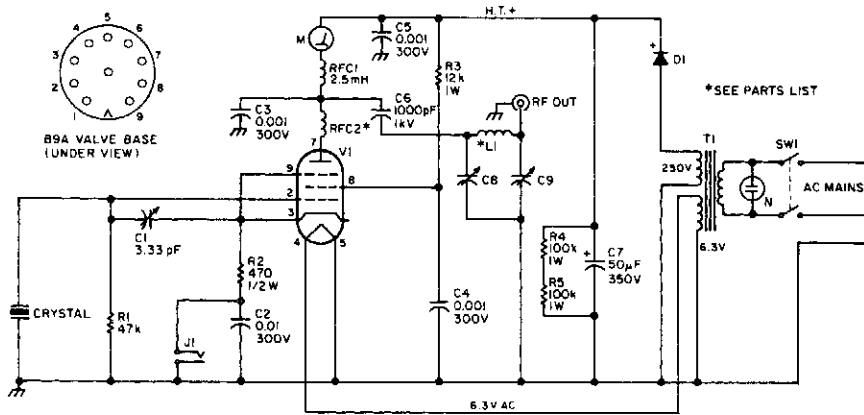


RADIO-ELECTRONICS

FIG. 106-5

Running from a 9-V battery, this transmitter can be used as a wireless microphone with an ordinary 88- to 108-MHz FM broadcast receiver. Keep the antenna length under 12 inches to comply with FCC limits. L1 is 6 turns of #24 wire wound around a pencil or a $\frac{1}{4}$ " form, with turns spaced 1 wire diameter. C6 is a gimmick capacitor of about 1 pF.

VACUUM-TUBE LOW-POWER 80/40-METER TRANSMITTER

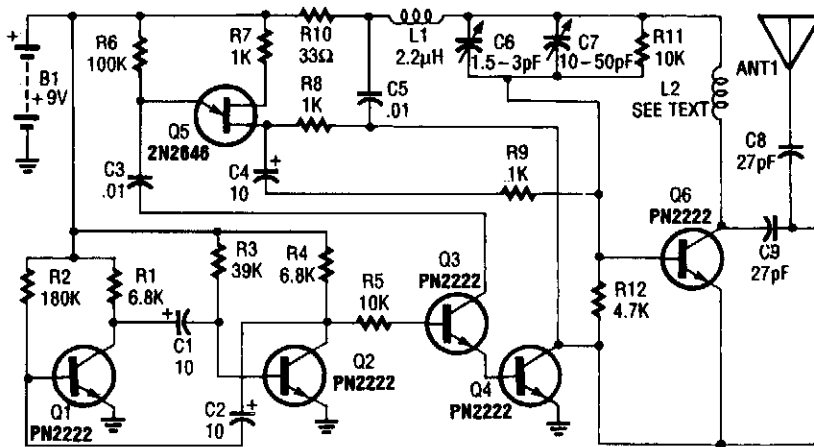


73 AMATEUR RADIO TODAY

FIG. 106-6

Using a 6BW6 vacuum tube, the above transmitter delivers about 5 W output. C1 is adjusted for cleanest CW note. C8 and C9 are 365 pF and dual-365 pF (paralleled) tuning capacitors. L1 is 35 turns of #24 enamelled wire on a 1" plastic tube. FT-243 crystals for 3.5 or 7 MHz are used. Do not use this circuit to produce a 7-MHz output from a 3.5-MHz crystal—it is not intended to “double over” crystal frequencies.

TRACKING TRANSMITTER

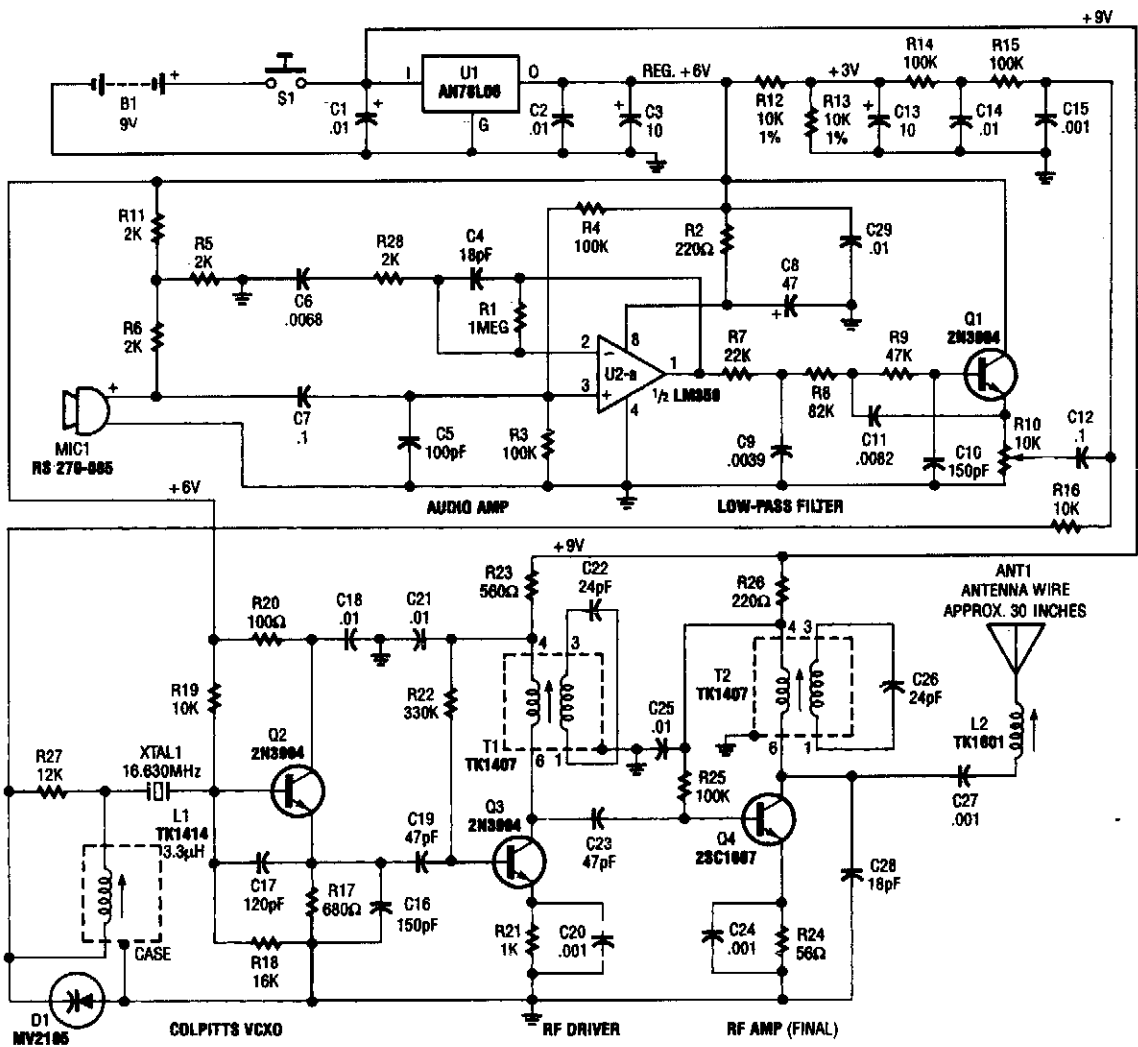


1993 ELECTRONICS HOBBYIST HANDBOOK

FIG. 106-7

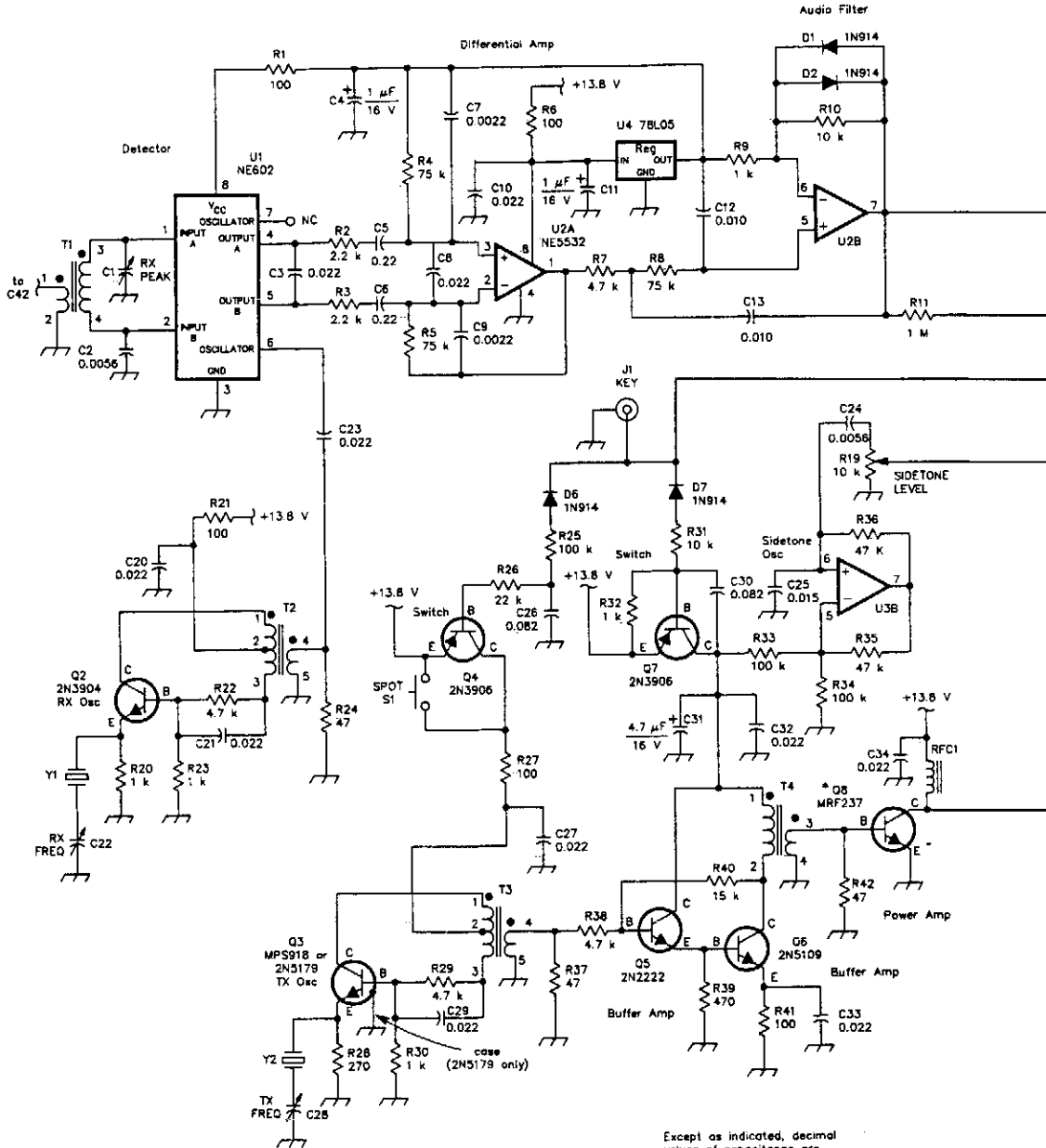
This tracking transmitter consists of four distinct subassemblies; a free-running multivibrator, a transmit switch, an audio-tone generator, and an FM transmitter. The multivibrator (which produces a pulse width with a pulse separation of 1500 ms) is built around Q1 and Q2. The multivibrator output is coupled through R5 to the base of Q3, whose emitter feeds Q4, which controls the circuit's transmitter section.

49-MHz FM TRANSMITTER



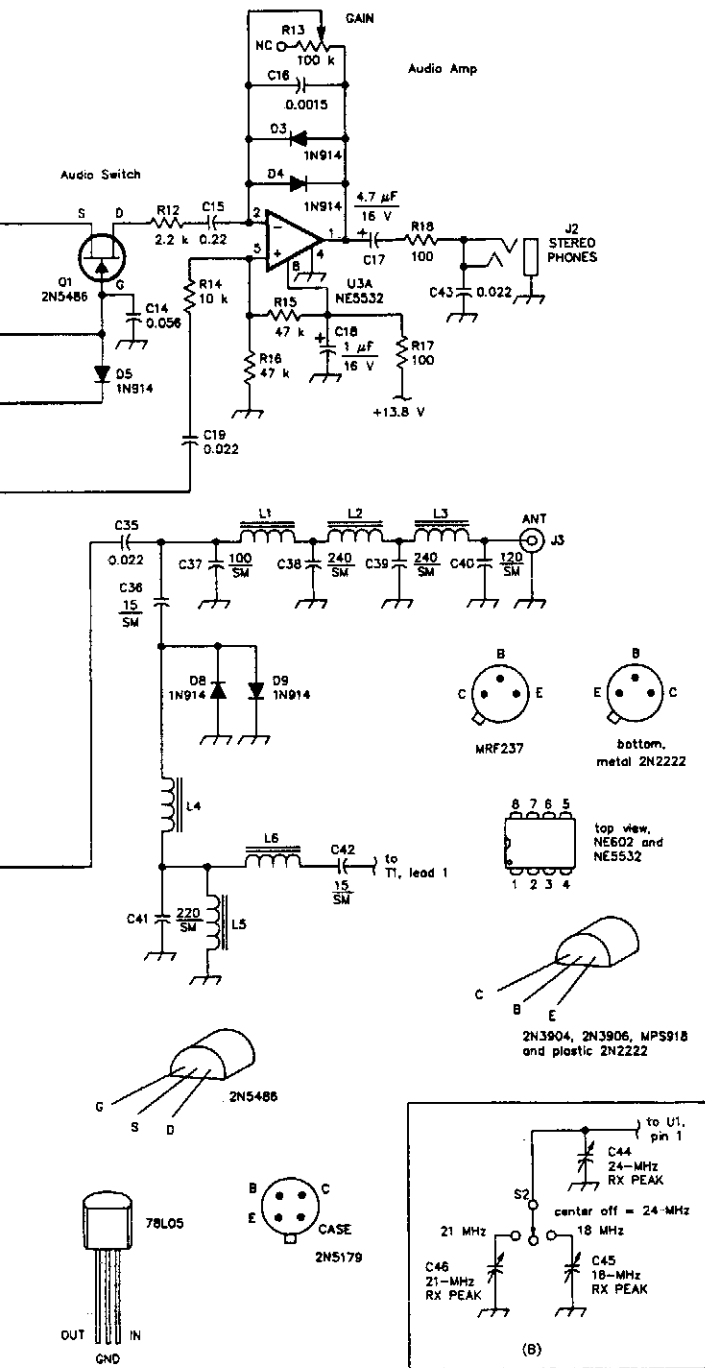
This 49-MHz FM transmitter consists of an audio amplifier, a low-pass filter, three RF stages, and a regulated-dc power supply. The output is about 16 mW into a 50-Ω load. This transmitter can be used in many 49-MHz applications, such as in a baby monitor, cordless telephone, or in conjunction with a scanner as a one-way voice link.

QRP TRANSCEIVER FOR 18, 21, AND 24 MHz



Except as indicated, decimal values of capacitance are in microfarads (μF); others are in picofarads (pF); resistances are in ohms; k=1,000, M=1,000,000

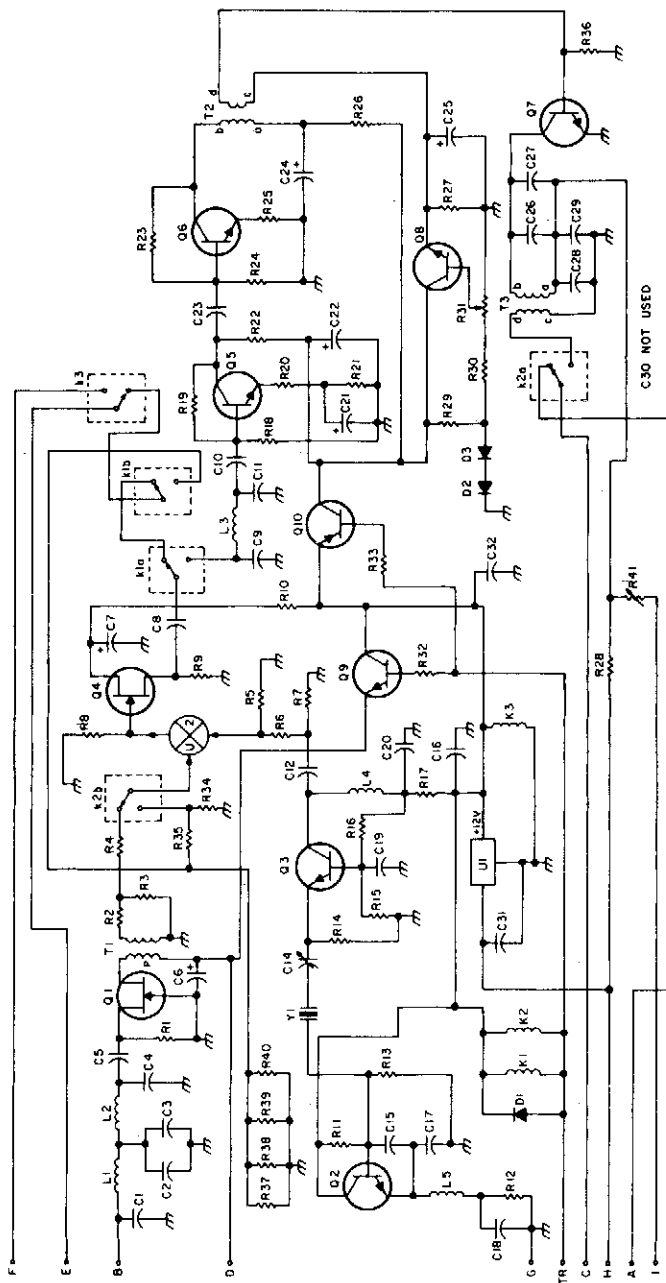
*Heat sink required; see text
 ● = phasing
 SM = silver mica



This CW transceiver has 1.25 to 4 W RF output, a direct-conversion receiver, full break-in, and SW sidetone generation. The power supply is 13.8 V, which makes this transceiver suitable for mobile or portable operation.

FIG. 106-9

1750-METER TRANSVERTER

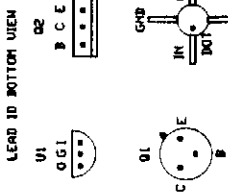
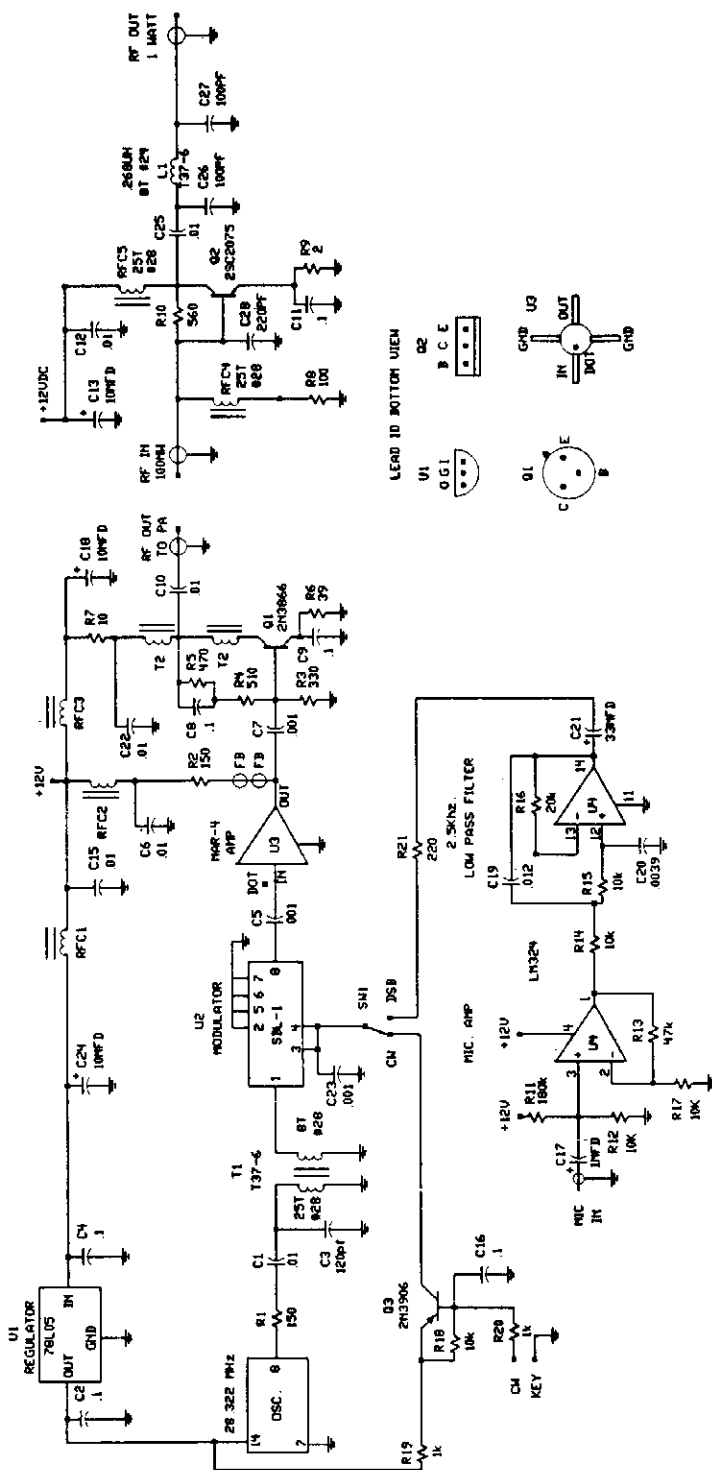


73 AMATEUR RADIO TODAY

FIG. 106-10

This circuit was described in a recent edition of an amateur radio magazine. It allows operation in the 160- to 190-kHz band with up to 1 W (license free) in any mode (CW/SSB/FM, etc.). It consists of a receiving converter for 5 kHz to 450 kHz and a transmitting converter to convert the 3.66- to 3.69-MHz (80 meter) range to 160 to 190 kHz. A 12- to 24-V power supply can be used.

10-METER DSB TRANSMITTER

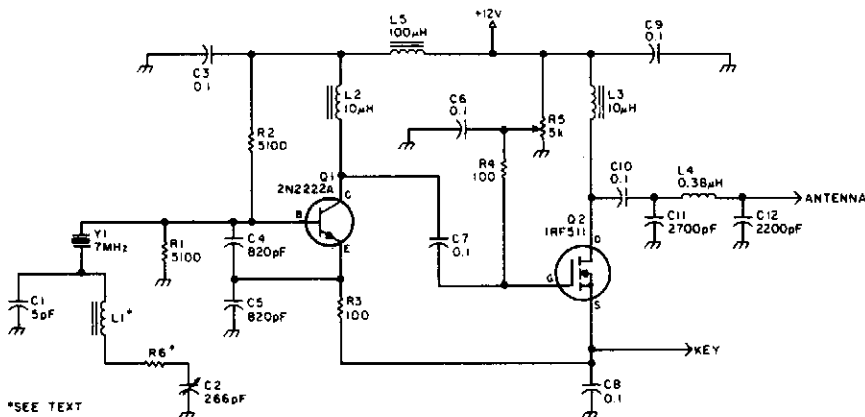


73 AMATEUR RADIO TODAY

FIG. 106-11

A DSB transmitter is much cheaper to build than an SSB transmitter because no filter or phasing networks are required. This circuit produces up to 1-W output on the 10-meter band. The frequency 28.322 MHz is used, which is a commonly available clock frequency crystal. CW operation is also provided. A doubly balanced mixer assembly is used as a modulator and CW keyer.

LOW-POWER 40-METER CW TRANSMITTER

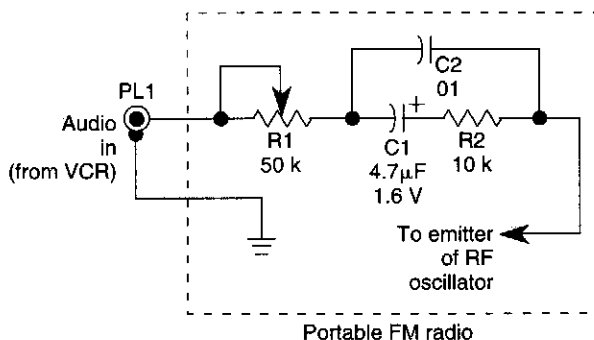


73 AMATEUR RADIO TODAY

FIG. 106-12

This CW transmitter has an output of up to 3 W. By using 24 V on Q2, up to 10 W output can be obtained. If a 24-V supply is used, Q1 must not see more than 12 V. Connect 12 V between junctions C3, R2 and L2, and remove L5. L1 should be a low-Q 18- to 20- μ H inductor. R6 can be used (up to 47 Ω) to reduce the Q further.

FM RADIO TRANSMITTER

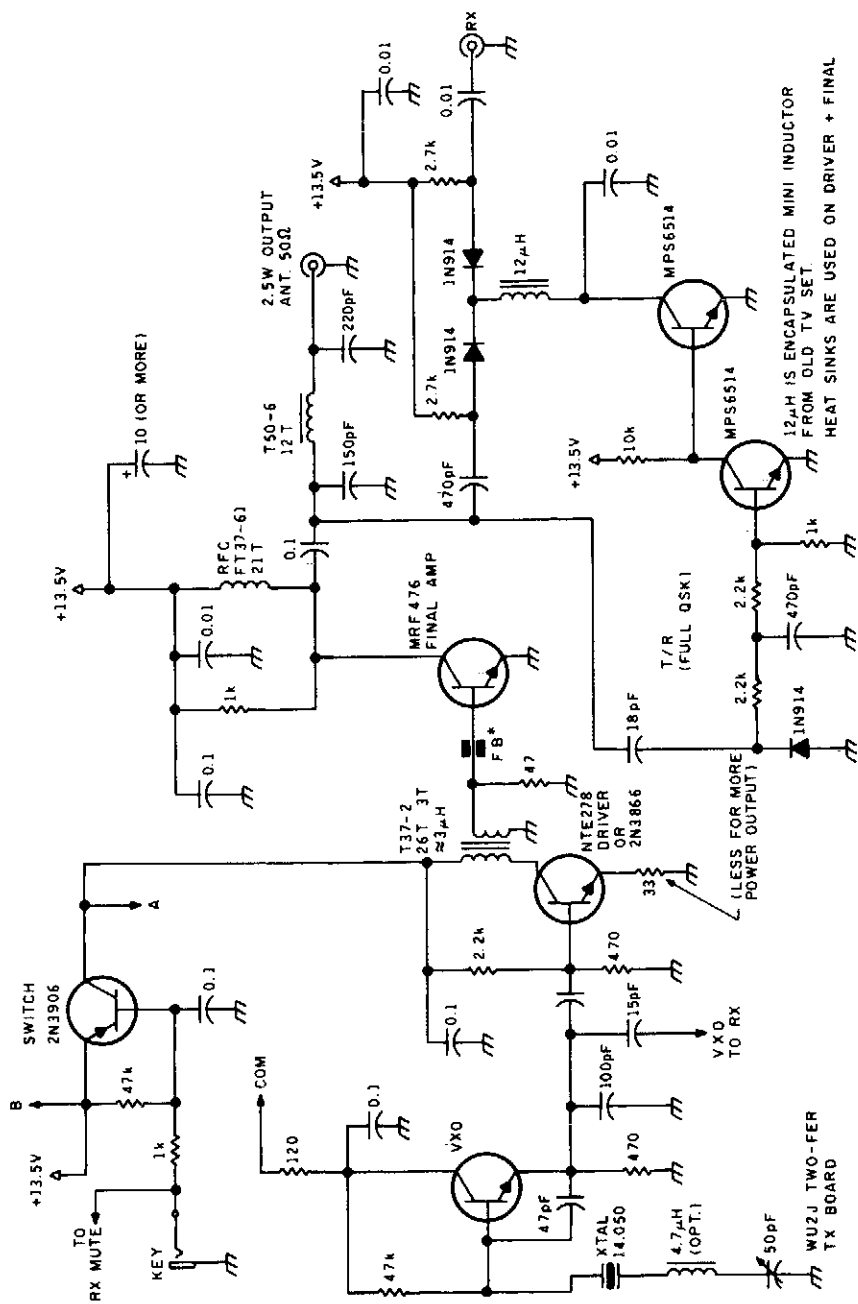


R-E EXPERIMENTERS HANDBOOK

FIG. 106-13

An FM radio generates an interference signal that can be picked up on another FM radio tuned 10.7 MHz above the first one. The 50-k Ω potentiometer adjusts the modulation level to maximum without distortion. The RC network improves the fidelity of the transmitted signal and provides dc isolation. The component values shown are provided as a starting point. They can vary somewhat for different radios. Note that if you can't get the signal at 10.7 MHz above the frequency setting of the first radio, try tuning at 10.7 MHz below. Also, note that both tuned frequencies must be unused. Otherwise, you will hear your audio on top of the audio that is already there. You might have to play with both frequencies until you find two blank spots that are 10.7 MHz apart.

LOW-POWER 20-METER CW TRANSMITTER



73 AMATEUR RADIO TODAY

FIG. 106-14

The transmitter has a VXO circuit to drive an amplifier that is keyed. The keyed amplifier drives an MRF 476 final amplifier, which delivers about 2-W output. A solid-state T-R switch is included for the receiver. The parts values shown are for the 20-meter band.

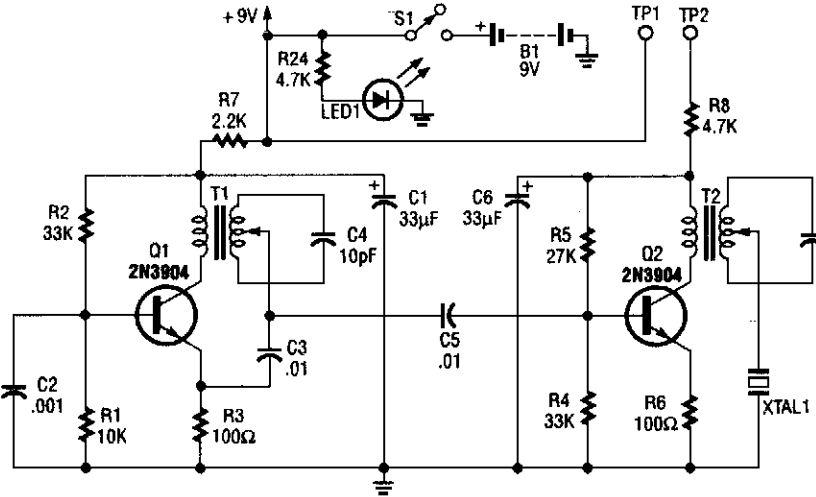
107

Ultrasonic Circuits

The sources of the following circuits are contained in the Sources section, which begins on page 675. The figure number in the box of each circuit correlates to the entry in the Sources section.

Doppler Ultrasound Transmitter
Doppler Ultrasound Receiver
Ultrasonic Cleaner

DOPPLER ULTRASOUND TRANSMITTER

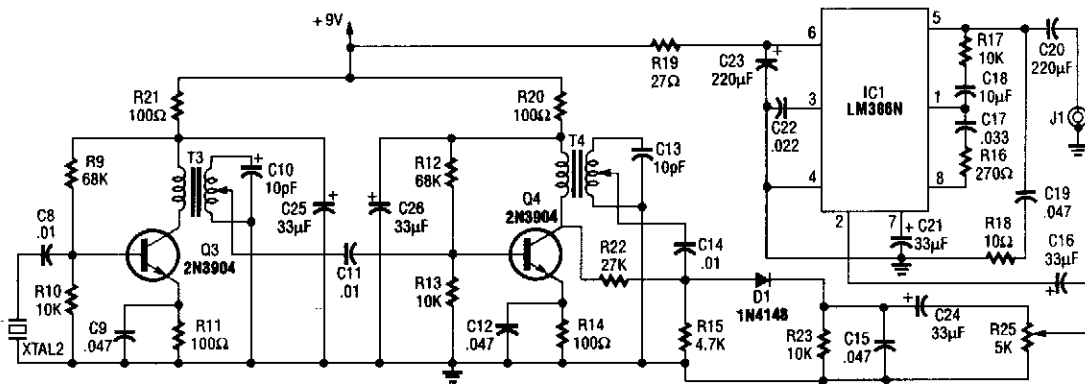


RADIO-ELECTRONICS

FIG. 107-1

The 2.25-MHz oscillator Q1 drives amplifier Q2 and XTAL1, an ultrasonic transducer. The transducer is a lead zirconate-titanate type. Taps on T1 and T2 provide low-impedance drive points.

DOPPLER ULTRASOUND RECEIVER

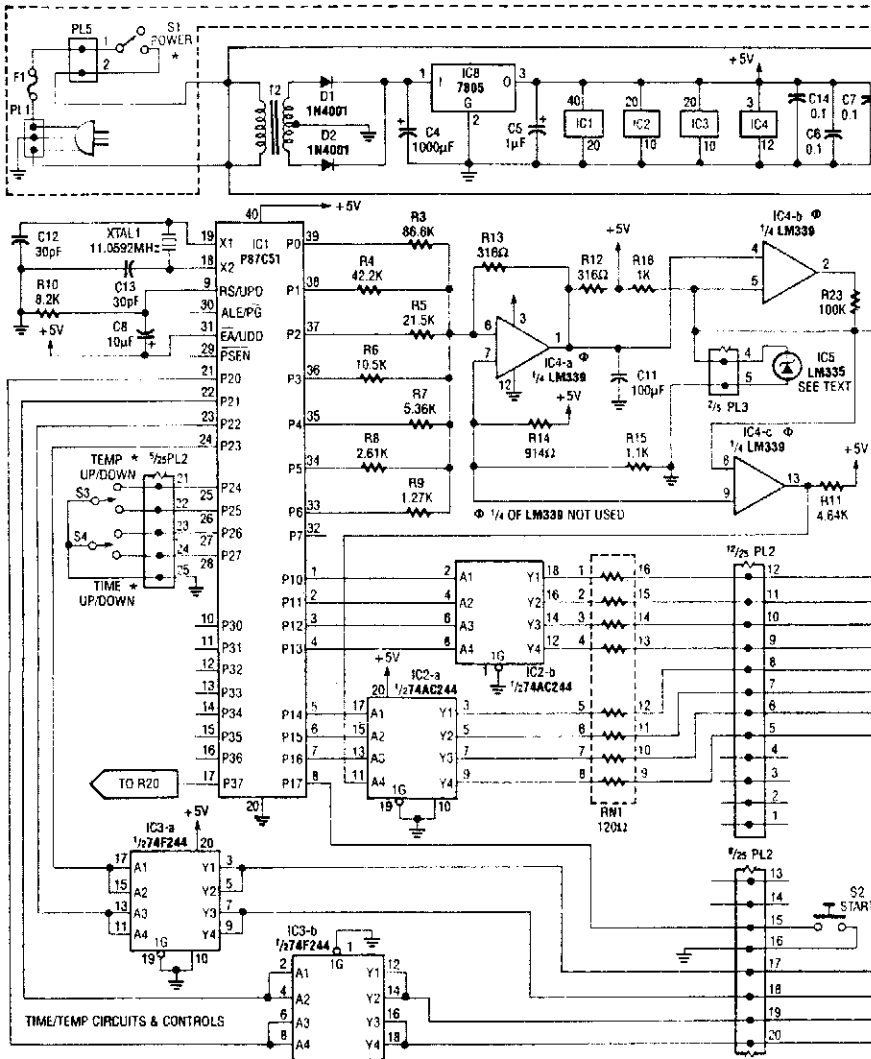


RADIO-ELECTRONICS

FIG. 107-2

XTAL1 drives amplifier Q3/Q4, which is tuned to 2.25 MHz. The detected signal is fed to audio amplifier IC1. A 9-V supply is used. The circuit operates at 2.25 MHz and is designed to be used with an ultrasonic sound transmitter at this frequency.

ULTRASONIC CLEANER



ELECTRONICS NOW

An ultrasonic cleaner is useful to clean certain items. This circuit uses a microcontroller to control timing and give a digital readout, but only the basic oscillator can be used, if desired. RES1, RES2 are piezoelectric transducers driven by power oscillator Q1. Q1 is powered by a bridge rectifier-capacitor input filter that operates directly off the ac line. The frequency is 40 to 60 kHz.

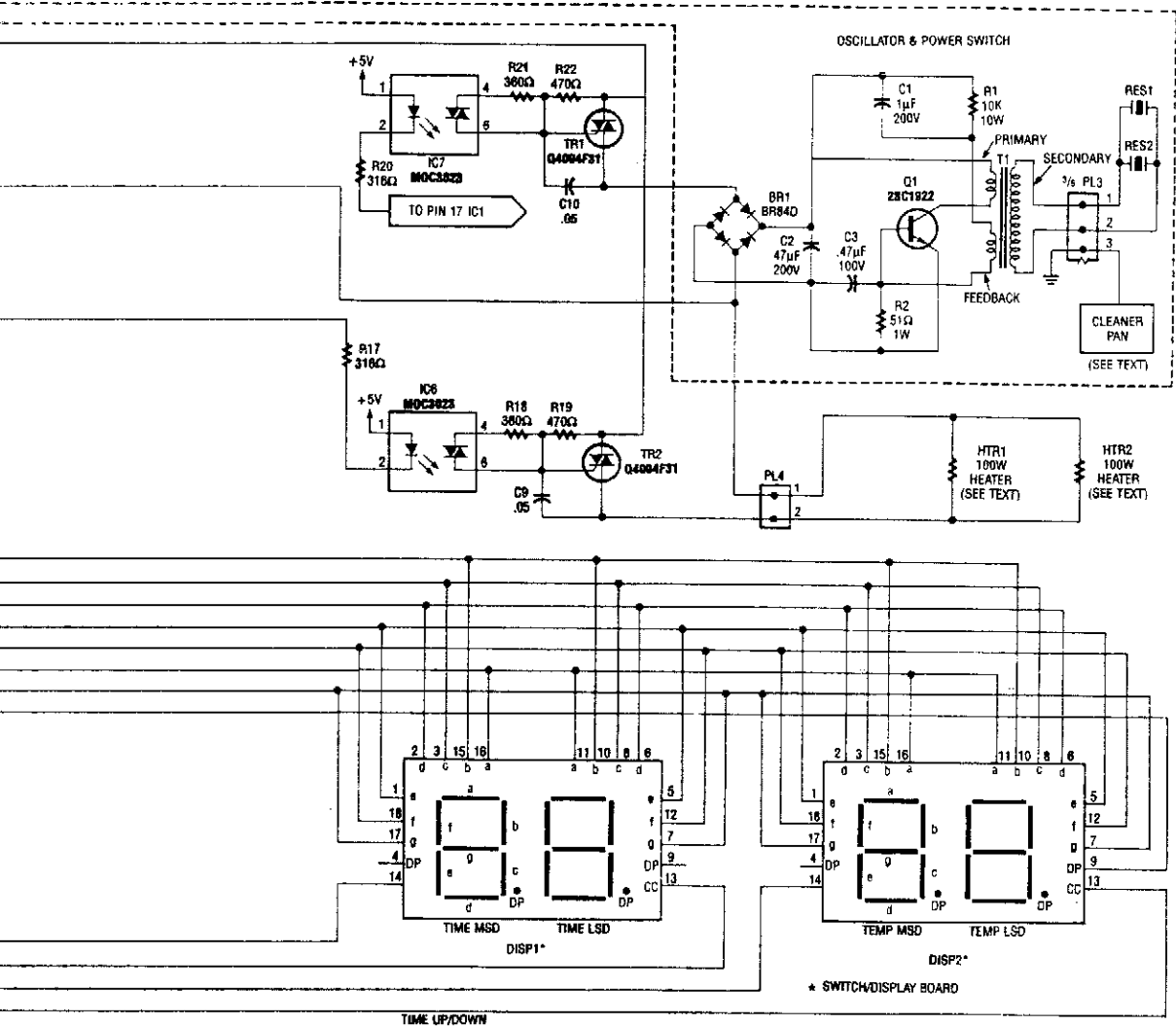


FIG. 107-3

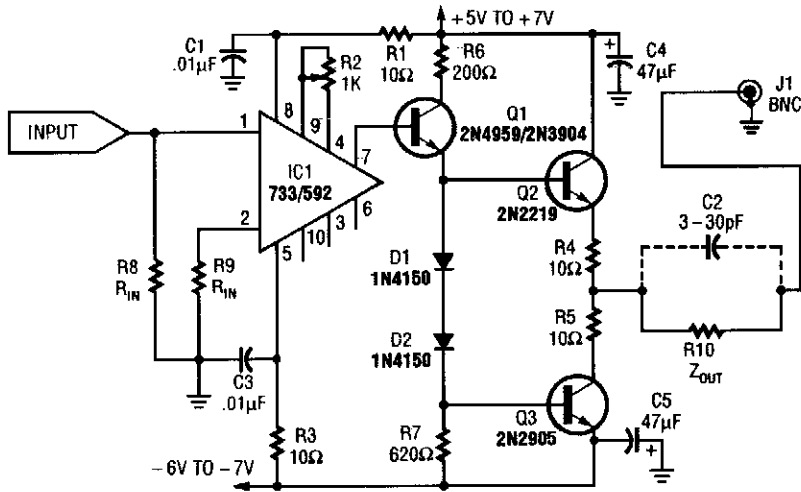
108

Video Circuits

The sources of the following circuits are contained in the Sources section, which begins on page 675. The figure number in the box of each circuit correlates to the entry in the Sources section.

General-Purpose Output Amplifier	Video dc-Restore Circuit
4.5-MHz Sound IF Amplifier	Combination Sync Stripper and Universal Video Interface
Simple Video Amplifier	Video Selector
ATV Video Sampler Circuit	Video Preamp
Multiple-Input Video Multiplex Cable Driver	Video Master
Two-Input Video Multiplex Cable Driver	Simple Video Line/Bar Generator
Differential Video Loop-Through Amplifier	Video Amplifier
Video Fader	
Electronically Controlled Variable-Gain Video Loop-Through Amplifier	

GENERAL-PURPOSE OUTPUT AMPLIFIER

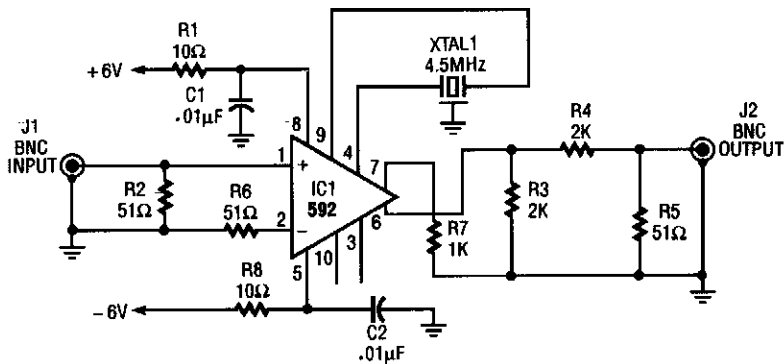


RADIO-ELECTRONICS

FIG. 108-1

This general-purpose amplifier has a bandwidth of approximately 20 MHz and it uses an LM733/NE592 video amp IC. This circuit can be used as a line driver or as a LAN line driver.

4.5-MHz SOUND IF AMPLIFIER

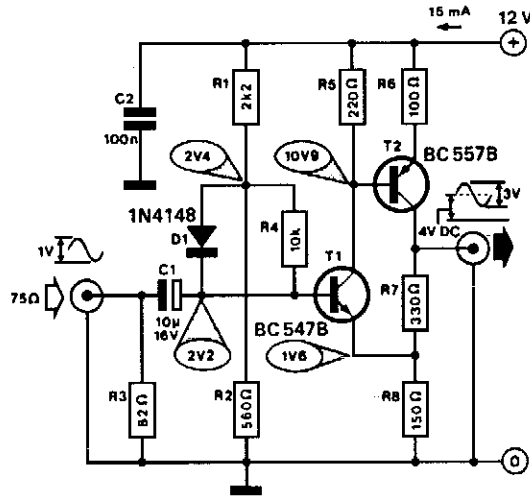


RADIO-ELECTRONICS

FIG. 108-2

An NE592 is used as a 4.5-MHz amplifier sound subcarrier in video applications. XTAL1 is a 4.5-MHz crystal or ceramic resonator.

SIMPLE VIDEO AMPLIFIER

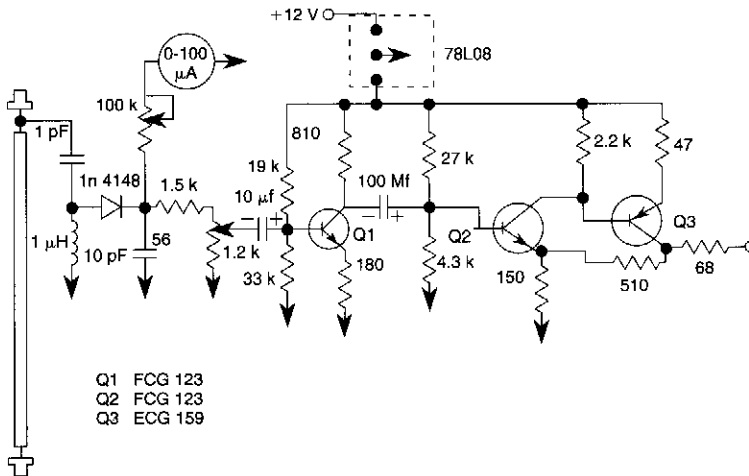


303 CIRCUITS

FIG. 108-3

Useful for interfacing B/W TV sets with a camera or computer, this amplifier has a bandwidth of ≥ 10 MHz and a gain of 3X.

ATV VIDEO SAMPLER CIRCUIT

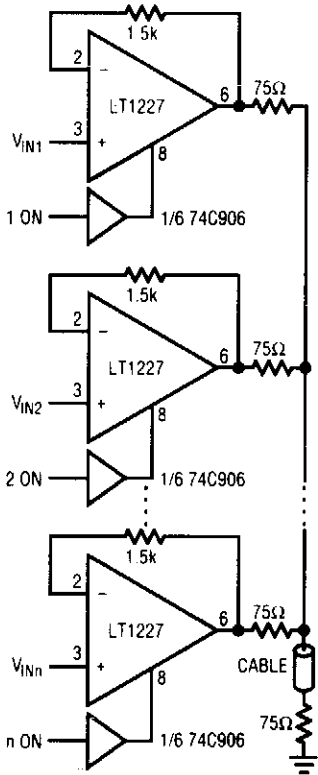


SPEC-COM

FIG. 108-4

This unit picks up your ATV signal by sampling the transmission line with negligible insertion loss. It uses 2 "N" connectors for input and output connections. A BNC connector is used on the video output. The detected output is connected to your monitor and scope so that you can accurately adjust your transmitter for proper video and synch levels. Two different models are provided. Both have relative power output meters, but one has greater accuracy. There are two PC controls, one for video level and the other for power output.

MULTIPLE-INPUT VIDEO MULTIPLEX CABLE DRIVER

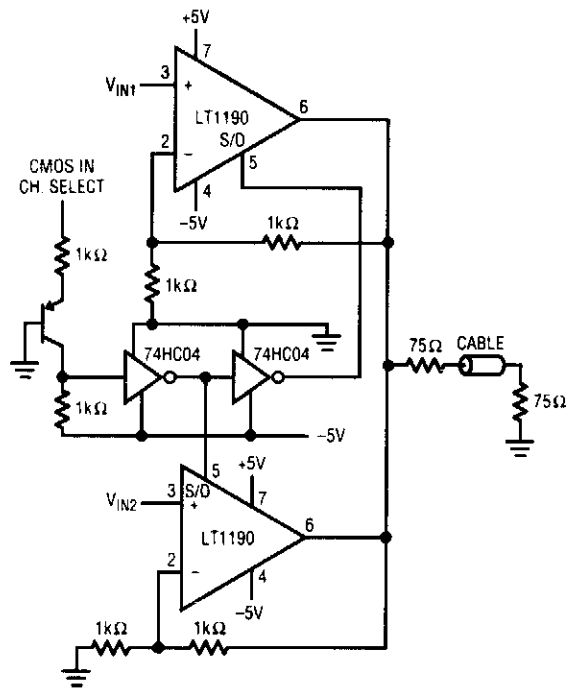


LINEAR TECHNOLOGY

FIG. 108-5

Using a Linear Technology LT1227, the multiplex video amp uses logic levels to turn on and off selected inputs.

TWO-INPUT VIDEO MULTIPLEX CABLE DRIVER

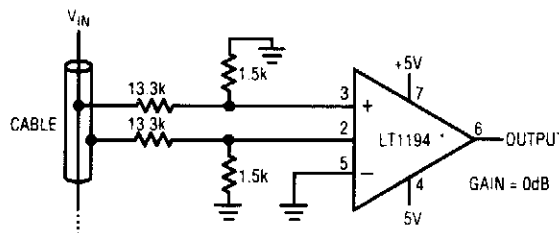


LINEAR TECHNOLOGY

FIG. 108-6

CMOS logic levels select one of two video inputs with this circuit. The op amps are Linear Technology LT1190s.

DIFFERENTIAL VIDEO LOOP-THROUGH AMPLIFIER

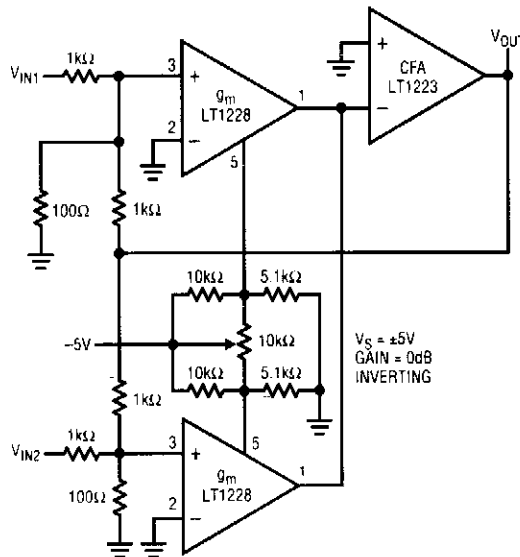


LINEAR TECHNOLOGY

FIG. 108-7

An LT1194 is used as a differential amplifier for video applications, where low cable loading is needed.

VIDEO FADER

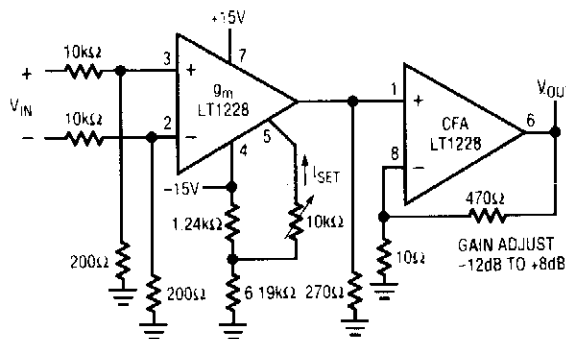


LINEAR TECHNOLOGY

FIG. 108-8

Using two LT1228 transconductance amplifiers in front of a current feedback amplifier forms a video fader. The ratio of the set currents into pin 5 determines the ratio of the inputs at the output.

ELECTRONICALLY CONTROLLED VARIABLE-GAIN VIDEO LOOP-THROUGH AMPLIFIER

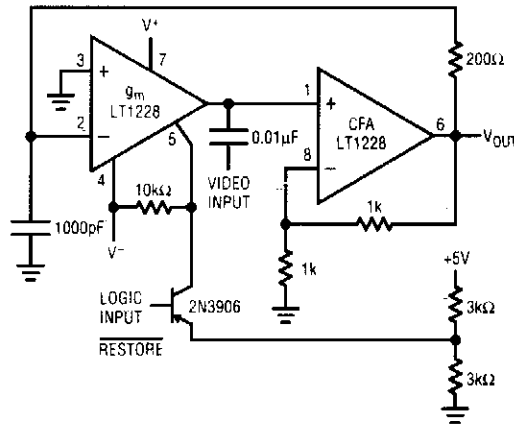


LINEAR TECHNOLOGY

FIG. 108-9

An LT1228 transconductance amplifier is used in this application. The gain is adjustable from -12 to $+8$ dB.

VIDEO dc RESTORE CIRCUIT

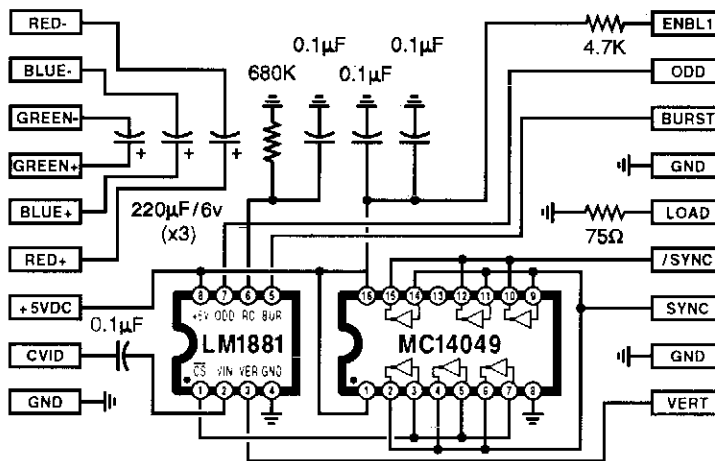


LINEAR TECHNOLOGY

FIG. 108-10

This circuit restores the black level of a monochrome composite video signal to 0 V at the beginning of every horizontal line. This circuit is also useful with CCD scanners to set the black level.

COMBINATION SYNC STRIPPER AND UNIVERSAL VIDEO INTERFACE

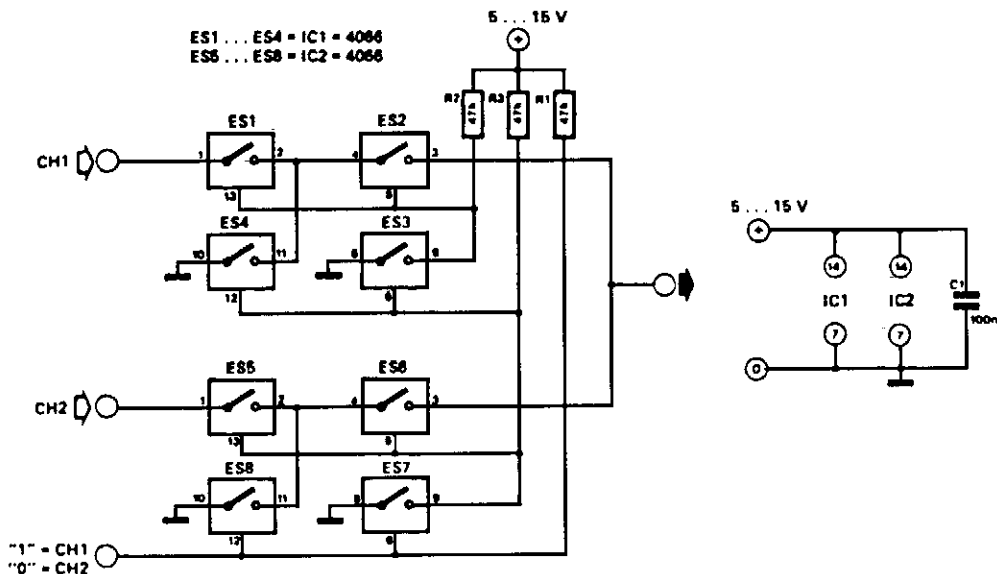


RADIO-ELECTRONICS

FIG. 108-11

This combination sync stripper and universal video interface can solve a lot of problems for you, including Super-Nintendo-to-anything interfacing, video overlay and scope TV frame locking. Kits, fully tested units, and custom cable assemblies are available through Redmond Cable. This unit uses an LM1881 (NS) synch separator IC.

VIDEO SELECTOR

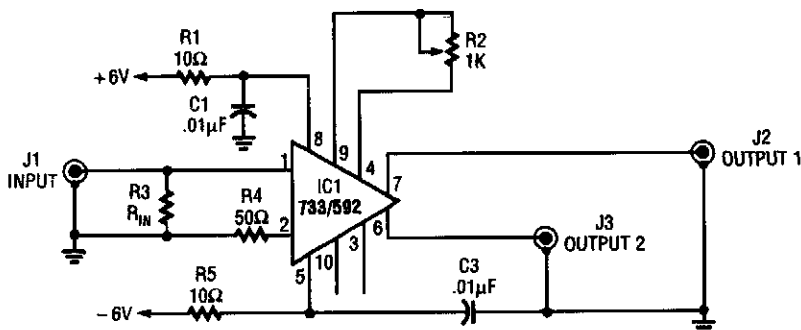


303 CIRCUITS

FIG. 108-12

This circuit selects one of two channels with a logic signal. The unused channel is shorted out, which minimizes crosstalk. The bandwidth at -3 dB is about 8 MHz. It is advisable to buffer this circuit because there is some loss in the switches when feeding a $75\text{-}\Omega$ load.

VIDEO PREAMP

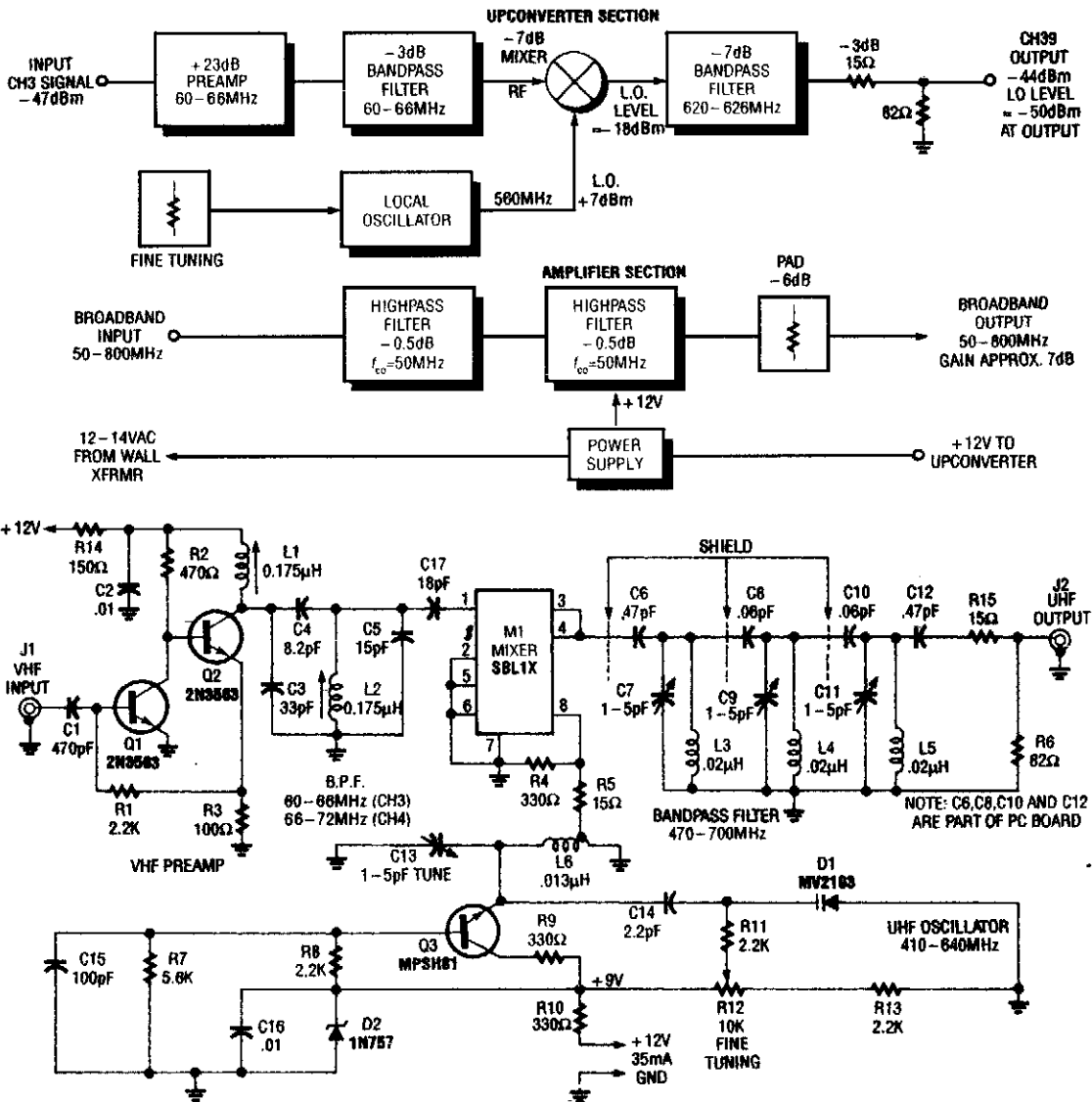


RADIO-ELECTRONICS

FIG. 108-13

An NE592 or LM733 is used as a general-purpose video amplifier in this schematic. J2 and J3 provide two anti-phase outputs. R2 is a gain control. The bandwidth is about 100 MHz.

VIDEO MASTER



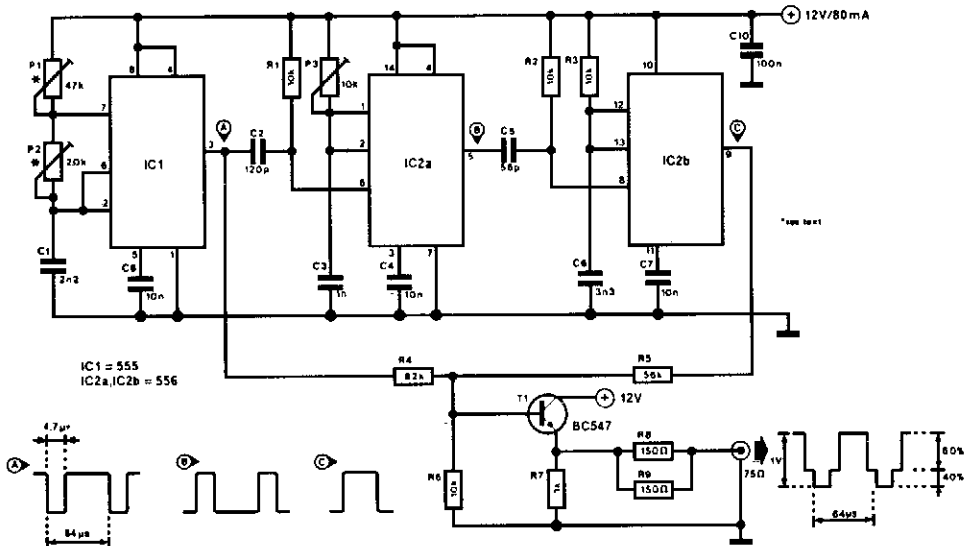
ELECTRONICS NOW

FIG. 108-14

The video master consists of a series of converters that place all your video sources on unused UHF channels, which then combines them with normal TV channels (terrestrial or cable into one cable). That one cable can then feed several TV sets for whole-house coverage. The desired video source is selected with the TV set's tuner. All of the TV's remote-control features are retained.

A complete kit of parts is available from North Country Radio, P.O. Box 53, Wykagyl Station, New Rochelle, NY 10804-0053A.

SIMPLE VIDEO LINE/BAR GENERATOR

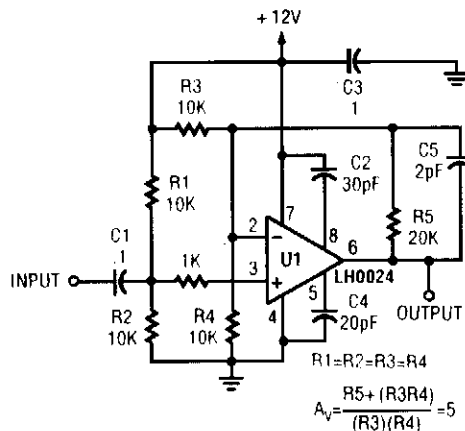


303 CIRCUITS

FIG. 108-15

A 555 and a dual 556 timer generate a rudimentary video signal, as shown in the schematic. The first timer generates 4.7-µs synch pulses operating in the astable mode with a 64-µs period. The second timer generates a delay pulse, which triggers the third timer to generate a bar. The second timer sets the bar position and the third sets the bar width.

VIDEO AMPLIFIER



POPULAR ELECTRONICS

FIG. 108-16

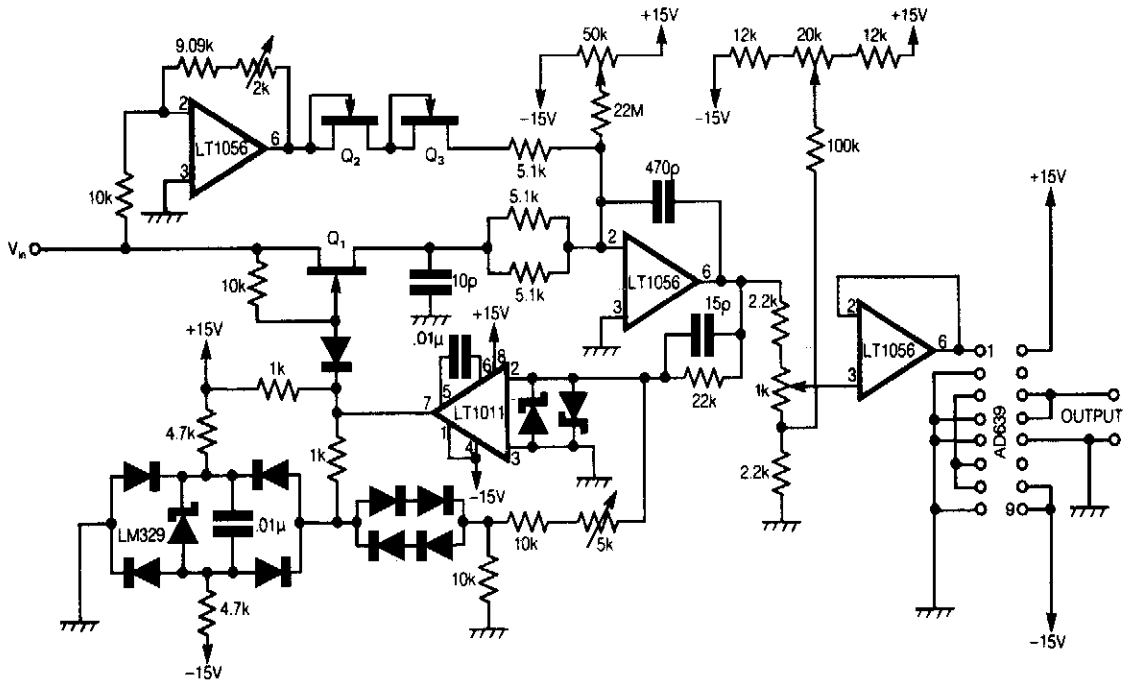
109

Voltage-Controlled Oscillator Circuits

The sources of the following circuits are contained in the Sources section, which begins on page 675. The figure number in the box of each circuit correlates to the entry in the Sources section.

Sinusoidal 3-Hz to 300-kHz VCO
Simple TL082 VCO
10-Hz to 10-kHz 3-Decade VCO
Sine-wave VCO
VCO I
VCO II

SINUSOIDAL 3-Hz TO 300-kHz VCO



ELECTRONIC ENGINEERING

FIG. 109-1

This circuit uses Analog Devices' AD639 universal trigonometric function generator to convert a triangle waveform, the basic waveform of the VCO itself, into a very low-distortion sine wave.

By using the AD639 in its frequency tripler mode [2], the frequency range 3 Hz to 300 kHz is now covered. The circuit has been drawn here so that the oscillator loop, consisting of Q_1 , the integrator and the LT1011 comparator, is clearly shown.

When Q_1 is off, the input amplifier, which is adjusted to have a gain of exactly -1 , pulls a current V_{in}/R , where R is $5.1\text{ k}\Omega$ in series with two JFETs, and Q_2 and Q_3 , out of the virtual earth of the integrator. The output of the integrator thus rises at a rate of V_{in}/CR , where $C = 470\text{ pF}$. At a level that can be adjusted by the $5\text{-k}\Omega$ potentiometer, the comparator flips and turns on Q_1 .

A current of exactly $2V_{in}/R$, is now supplied to the virtual earth of the integrator because there are now two $5.1\text{-k}\Omega$ resistors in parallel and only a single JFET in between the virtual earth and V_{in} . The integrator output now falls at a rate of V_{in}/CR and the cycle repeats. Any offset in the current to the virtual earth of the integrator, due to circuit board leakage, etc., can be corrected by adjusting the $50\text{-k}\Omega$ potentiometer. It follows that the symmetry of the triangle wave at the integrator output can be corrected by adjusting the $2\text{-k}\Omega$ potentiometer, and the $50\text{-k}\Omega$ potentiometer at VLF, and the frequency can be trimmed with the $5\text{-k}\Omega$ potentiometer.

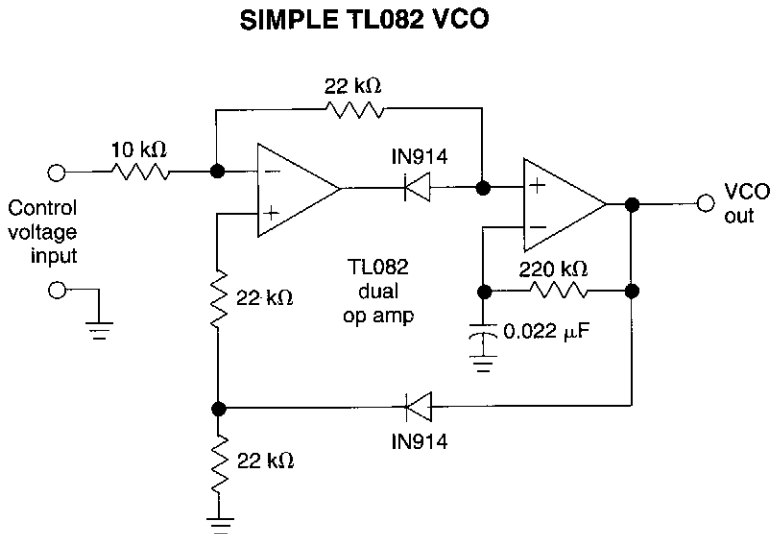
SINUSOIDAL 3-Hz TO 300-kHz VCO (Cont.)

The 1-k Ω potentiometer variable is adjusted to give the input level to the AD639 needed to drive it over $\pm 270^\circ$ and so produce a sinusoidal output at three times the frequency of the triangle-wave input. Offset correction for the AD639 is made at the input to the voltage follower by means of the 20-k Ω potentiometer.

Once a symmetric triangle wave has been obtained by adjusting the 2-k Ω and 50-k Ω potentiometers, and the correct frequency of 100 kHz has been set for $V_{IN} = 10$ V, by adjusting the 5-k Ω potentiometer, the triple-frequency sine-wave output can be set up by adjustment of the 1-k Ω and 20-k Ω potentiometers.

This is best done by triggering the CRO from the triangle wave, and then viewing at least three complete cycles of output. Having adjusted for a clean-looking sine wave, the final adjustment of the 1-k Ω and 20-k Ω potentiometers should be made on a single sinusoidal cycle display, using internal trigger so that the three slightly different parts of the output cycle lie one upon the other and can be made to merge. Q1, Q2, and Q3 are 2N4391s, the two Schottky diodes are 5082-2810, and the other nine diodes are 1N914.

All device power supply pins should be decoupled with 0.33 μ F. Resistors associated with the inputs of the devices should be 1% high-stability parts.

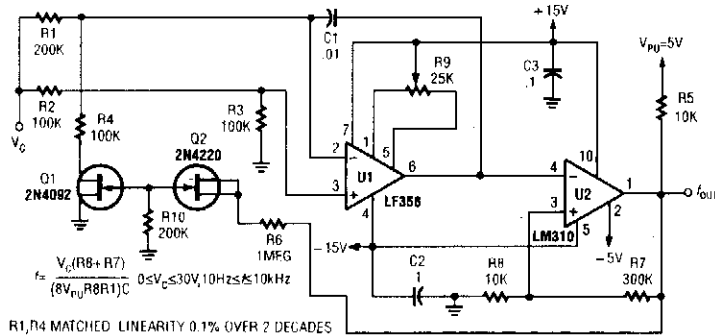


WILLIAM SHEETS

FIG. 109-2

This circuit uses a dual operational amplifier (TL082) to form a voltage-controlled oscillator (VCO). With the component values shown, the output-frequency range is 100 Hz to 10 kHz when the input control voltage is between 0.05 and 10 V.

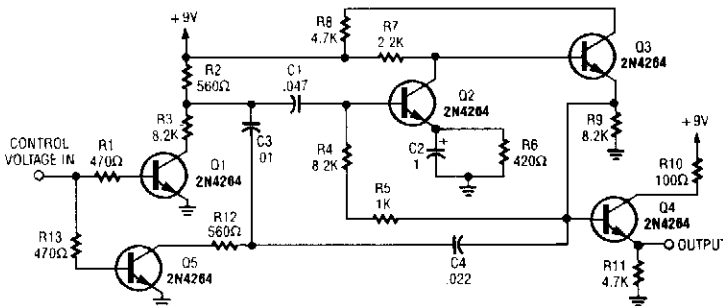
10-Hz TO 10-kHz 3-DECADE VCO



POPULAR ELECTRONICS

FIG. 109-3

SINE-WAVE VCO

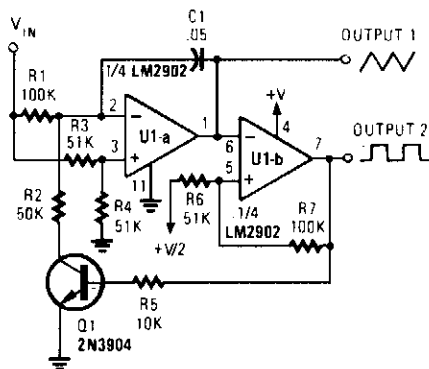


POPULAR ELECTRONICS

FIG. 109-4

A dc control voltage varies the effective resistance in feedback network C4/C3/C1 and R12/R3. Q2/Q3 are the oscillator transistors.

VCO I

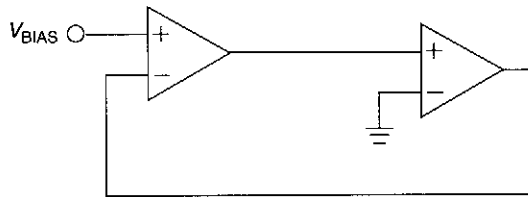


This circuit gives both triangle- and square-wave outputs. The frequency range is determined by C1.

POPULAR ELECTRONICS

FIG. 109-5

VCO II



WILLIAM SHEETS

FIG. 109-6

The output frequency of this simple low-cost active voltage-controlled oscillator circuit is based upon the inherent frequency dependent characteristics of our operational amplifier.

The oscillator circuit shown uses a TL082 op amp. When power is applied, the circuit generates a sinusoidal wave. The frequency of oscillation can be changed by varying the bias supply.

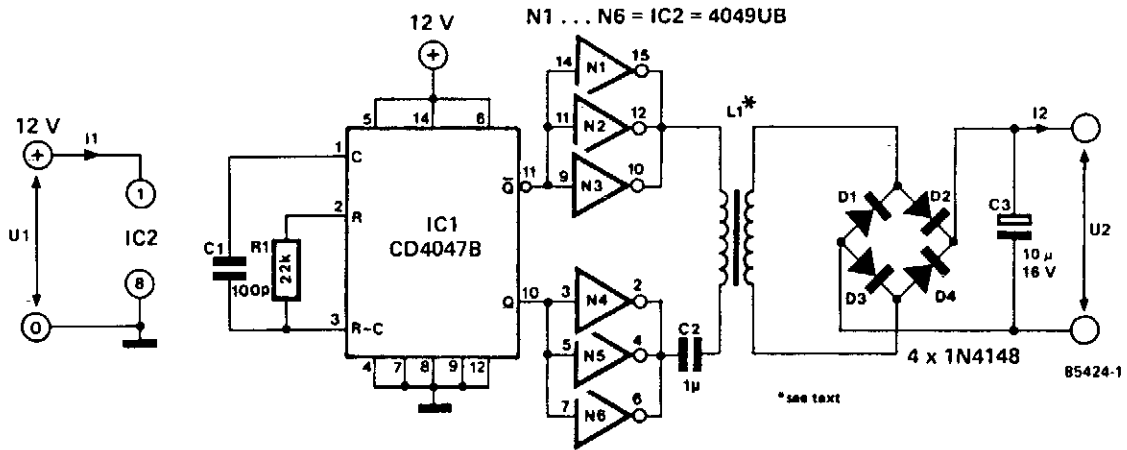
110

Voltage Converter/Inverter Circuits

The sources of the following circuits are contained in the Sources section, which begins on page 675. The figure number in the box of each circuit correlates to the entry in the Sources section.

dc/dc Converter
Simple dc/ac Inverter

dc/dc CONVERTER

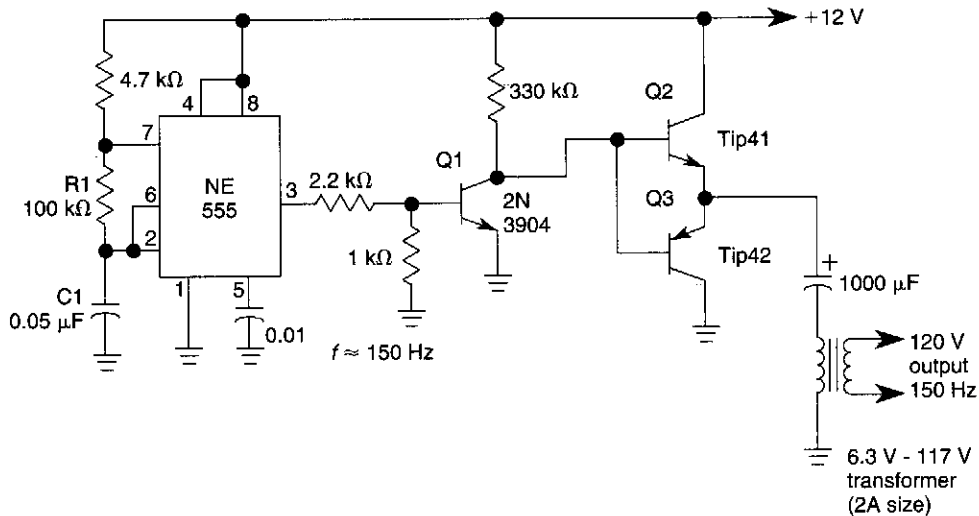


303 CIRCUITS

FIG. 110-1

This low-power converter will supply about 100 mW of dc to a load and it is useful to isolate or derive dc voltages. It operates at around 200 kHz. L1 is wound on a 22-mm diameter \times 13-mm high pot core with #32 magnet wire. The primary is 80 turns and the secondary is 80 turns (for 12-V nominal output). The two windings should be insulated for the expected voltage difference between input and output in insulation applications.

SIMPLE dc/ac INVERTER



WILLIAM SHEETS

FIG. 110-2

This dc-to-ac inverter is based on the popular 555. A 555 oscillator circuit drives a buffer amplifier consisting of Q1, Q2, and Q3. The circuit operates at 150 to 160 Hz. T1 can be a 6.3-V or 12.6-V filament transformer as applicable. The frequency can be changed by changing the values of R1 and/or C1.

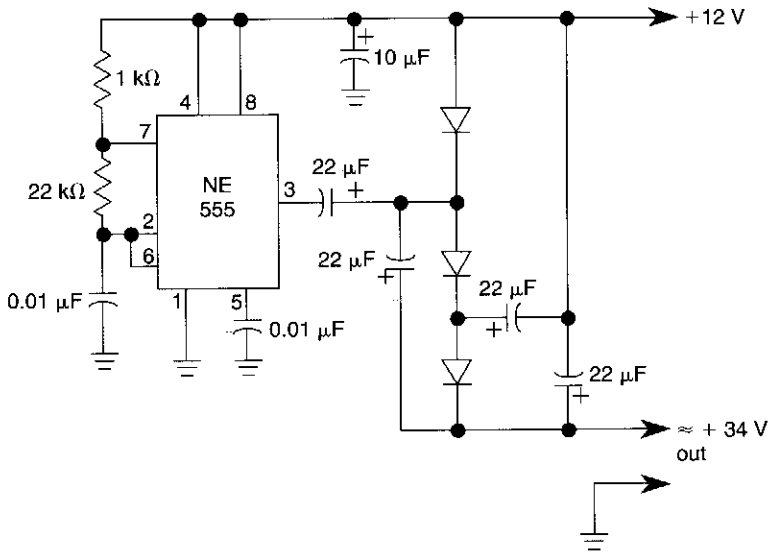
111

Voltage Multiplier Circuits

The sources of the following circuits are contained in the Sources section, which begins on page 675. The figure number in the box of each circuit correlates to the entry in the Sources section.

Low-Power dc Tripler
Low-Power dc Quadrupler
Low-Power dc Doubler

LOW-POWER dc TRIPLER

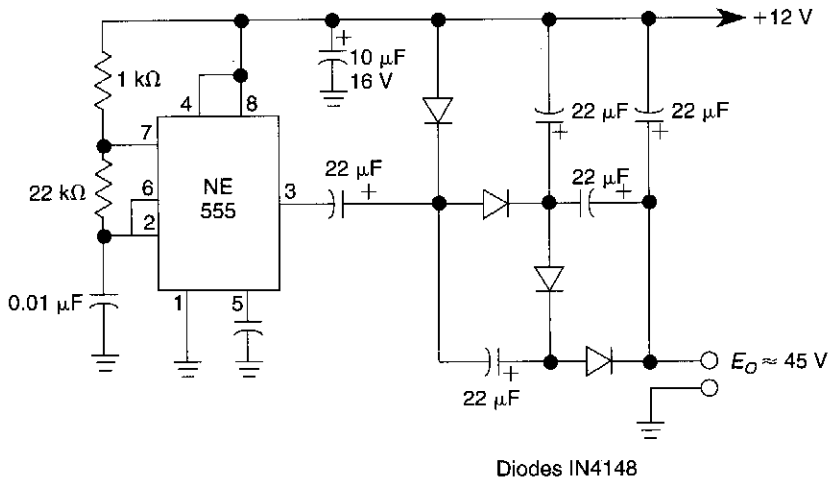


WILLIAM SHEETS

FIG. 111-1

This dc voltage-tripler circuit based on the 555 can produce a dc output voltage equal to approximately $3\times$ the dc supply voltage.

LOW-POWER dc QUADRUPLER

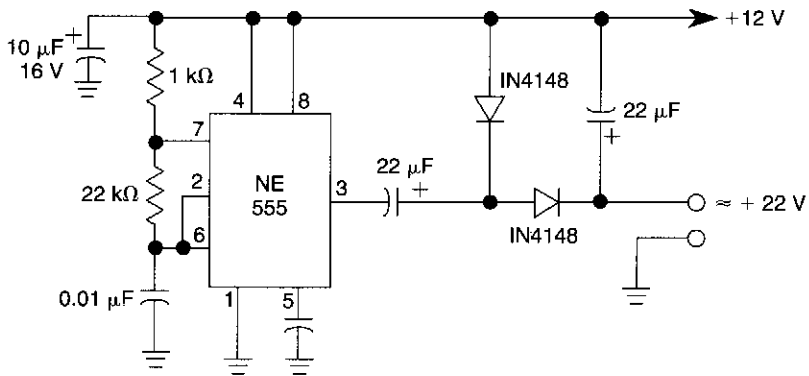


WILLIAM SHEETS

FIG. 111-2

This dc voltage-quadrupler circuit based on the 555 can produce a dc output voltage equal to approximately $4\times$ the dc supply voltage.

LOW-POWER dc DOUBLER



WILLIAM SHEETS

FIG. 111-3

This dc voltage-doubler circuit based on the 555 can produce a dc output voltage equal to approximately $2\times$ the dc supply voltage.

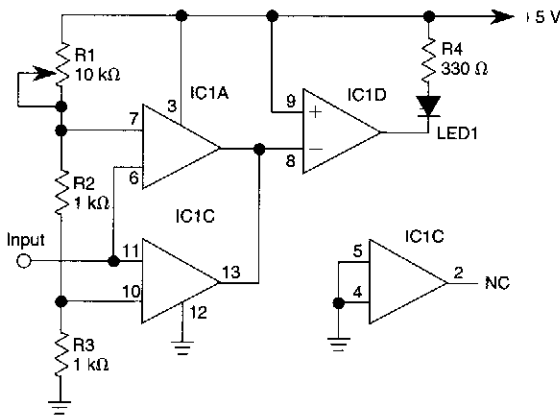
112

Window Comparator and Discriminator Circuits

The sources of the following circuits are contained in the Sources section, which begins on page 675. The figure number in the box of each circuit correlates to the entry in the Sources section.

Window Comparator
Multiple-Aperture Window Discriminator

WINDOW COMPARATOR

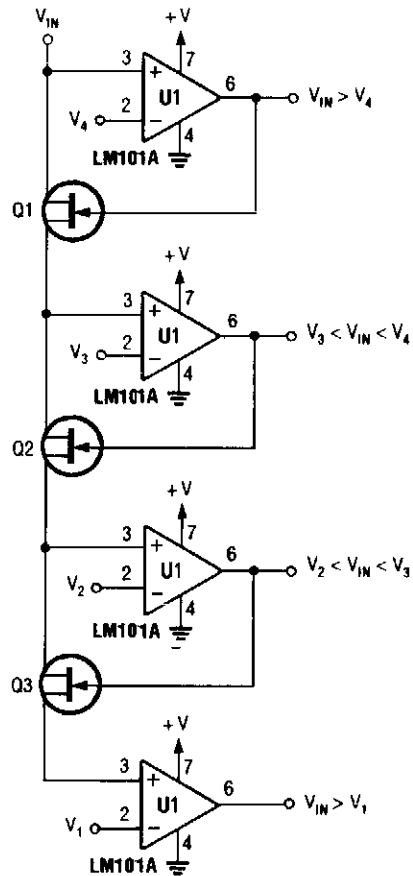


WILLIAM SHEETS

FIG. 112-1

IC1-c functions as a noninverting comparator, and IC1-a operates as an inverting comparator. Potentiometer R1 and fixed resistors R2 and R3 form a divider chain that delivers slightly different voltages to the two comparators. These voltages define the upper and lower limits of the circuit's switching "window," which can be changed easily by varying R2 and R3. The LED glows only when the input voltage falls within the window region.

MULTIPLE-APERTURE WINDOW DISCRIMINATOR



POPULAR ELECTRONICS

FIG. 112-2

V1 through V4 are reference voltages that are derived from separate sources or from a common voltage divider.

Sources

Chapter 1

Fig. 1-1. Reprinted with permission from Popular Electronics, 1/92, p. 80. (c) Copyright Gernsback Publications, Inc., 1992.

Fig. 1-2. Reprinted with permission from Popular Electronics, 1/92, p. 80. (c) Copyright Gernsback Publications, Inc., 1992.

Fig. 1-3. Reprinted with permission from Popular Electronics, 1/92, p. 79. (c) Copyright Gernsback Publications, Inc., 1992.

Fig. 1-4. Reprinted with permission from Popular Electronics, 1/92, p. 79. (c) Copyright Gernsback Publications, Inc., 1992.

Fig. 1-5. Reprinted with permission from Popular Electronics, 1/92, p. 79. (c) Copyright Gernsback Publications, Inc., 1992.

Fig. 1-6. Reprinted with permission from Popular Electronics, 2/92, pp. 65-66. (c) Copyright Gernsback Publications, Inc., 1992.

Fig. 1-7. Reprinted with permission from Popular Electronics, 11/93, p. 53. (c) Copyright Gernsback Publications, Inc., 1993.

Fig. 1-8. Reprinted with permission from PE Hobbyist Handbook, 1992, pp. 93-94. (c) Copyright Gernsback Publications, Inc., 1992.

Fig. 1-9. William Sheets.

Fig. 1-10. Reprinted with permission from Popular Electronics, 2/92, pp. 70-71. (c) Copyright Gernsback Publications, Inc., 1992.

Fig. 1-11. Reprinted with permission from Popular Electronics, 12/92, p. 68. (c) Copyright Gernsback Publications, Inc., 1992.

Fig. 1-12. William Sheets.

Fig. 1-13. Reprinted with permission from PE Hobbyist Handbook, 1991, pp. 31-32. (c) Copyright Gernsback Publications, Inc., 1991.

Fig. 1-14. Reprinted with permission from Popular Electronics, 8/92, p. 71. (c) Copyright Gernsback Publications, Inc., 1992.

Fig. 1-15. Reprinted with permission from Popular Electronics, 2/92, p. 66. (c) Copyright Gernsback Publications, Inc., 1992.

Fig. 1-16. William Sheets.

Fig. 1-17. Reprinted with permission from Electronics Now, 7/92, p. 66. (c) Copyright Gernsback Publications, Inc., 1992.

Fig. 1-18. William Sheets.

Fig. 1-19. William Sheets.

Fig. 1-20. William Sheets.

Fig. 1-21. William Sheets.

Fig. 1-22. William Sheets.

Fig. 1-23. William Sheets.

Fig. 1-24. Reprinted with permission from Popular Electronics, 3/93, p. 42. (c) Copyright Gernsback Publications, Inc., 1993.

Fig. 1-25. Reprinted with permission from PE Hobbyist Handbook, 1991, pp. 19-20. (c) Copyright Gernsback Publications, Inc., 1991.

Fig. 1-26. Reprinted with permission from Popular Electronics, 1/92, p. 78. (c) Copyright Gernsback Publications, Inc., 1992.

Chapter 2

Fig. 2-1. Reprinted with permission from Popular Electronics, Fact Card 255, (c) Copyright Gernsback Publications, Inc.

Fig. 2-2. Reprinted with permission from Popular Electronics, Fact Card 254, (c) Copyright Gernsback Publications, Inc.

Fig. 2-3. Reprinted with permission from Popular Electronics, Fact Card 254, (c) Copyright Gernsback Publications, Inc.

Fig. 2-4. Reprinted with permission from Popular Electronics, Fact Card 253, (c) Copyright Gernsback Publications, Inc.

Fig. 2-5. Reprinted with permission from Popular Electronics, Fact Card 254, (c) Copyright Gernsback Publications, Inc.

Fig. 2-6. Reprinted with permission from Popular Electronics, Fact Card 254, (c) Copyright Gernsback Publications, Inc.

Fig. 2-7. Reprinted with permission from Popular Electronics, Fact Card 253, (c) Copyright Gernsback Publications, Inc.

Fig. 2-8. William Sheets.

Fig. 2-9. Reprinted with permission from Popular Electronics, Fact Card 253, (c) Copyright Gernsback Publications, Inc.

Fig. 2-10. William Sheets.

Fig. 2-11. William Sheets.

Fig. 2-12. William Sheets.

Fig. 2-13. William Sheets.

Fig. 2-14. William Sheets.

Fig. 2-15. Reprinted with permission from Electronics Now, 7/92, p. 36. (c) Copyright Gernsback Publications, Inc., 1992.

Fig. 2-16. Reprinted with permission from Popular Electronics, Fact Card 255, (c) Copyright Gernsback Publications, Inc.

Fig. 2-17. William Sheets.

Fig. 2-18. William Sheets.

Fig. 2-19. Reprinted with permission from Popular Electronics, Fact Card 223, (c) Copyright Gernsback Publications, Inc.

Fig. 2-20. William Sheets.

Fig. 2-21. William Sheets.

Fig. 2-22. Reprinted with permission from Popular Electronics, Fact Card 264, (c) Copyright Gernsback Publications, Inc.

Fig. 2-23. Reprinted with permission from Radio-Electronics, 6/92, p. 59. (c) Copyright Gernsback Publications, Inc., 1992.

Fig. 2-24. Reprinted with permission from 73 Amateur Radio Today, 4/92, p. 71.

Fig. 2-25. William Sheets.

Fig. 2-26. Reprinted with permission from National Semiconductor, Linear Edge, Spring 1992.

Fig. 2-27. Reprinted with permission from Popular Electronics, Fact Card 206, (c) Copyright Gernsback Publications, Inc.

Fig. 2-28. Reprinted with permission from Popular Electronics, 9/93, p. 47. (c) Copyright Gernsback Publications, Inc., 1993.

Chapter 3

Fig. 3-1. Reprinted with permission from Electronic Design, 3/93, p. 67.

Fig. 3-2. Reprinted with permission from 73 Amateur Radio Today, 7/92, p. 42.

Chapter 4

Fig. 4-1. Reprinted with permission from Popular Electronics, 12/91, p. 63. (c) Copyright Gernsback Publications, Inc., 1991.

Fig. 4-2. Reprinted with permission from Elector Electronics USA, 10/92, p. 14.

Fig. 4-3. Reprinted with permission from 73 Amateur Radio Today, 5/90, p. 47.

Fig. 4-4. Reprinted with permission from Practical Wireless, 6/91, p. 36.

Fig. 4-5. Reprinted with permission from Elektor Electronics, 12/91, pp. 88-89.

Fig. 4-6. Reprinted with permission from Popular Electronics, 6/93, p. 55. (c) Copyright Gernsback Publications, Inc., 1993.

Fig. 4-7. Reprinted with permission from 73 Amateur Radio Today, 7/92, p. 34.

Fig. 4-8. Reprinted with permission from Electronics Hobbyists Handbook, 1993, p. 89.

Fig. 4-9. Reprinted with permission from 73 Amateur Radio Today, 10/92, p. 28.

Chapter 5

Fig. 5-1. Reprinted with permission from PE Hobbyist Handbook, 1991, pp. 65-66. (c) Copyright Gernsback Publications, Inc., 1991.

Fig. 5-2. Reprinted with permission from Electronics Now, 11/92, p. 42. (c) Copyright Gernsback Publications, Inc., 1992.

Fig. 5-3. Reprinted with permission from Electronics Now, 12/92, p. 14. (c) Copyright Gernsback Publications, Inc., 1992.

Fig. 5-4. Reprinted with permission from Silicon Chip.

Fig. 5-5. Reprinted with permission from Electronics Now, 11/92, p. 43. (c) Copyright Gernsback Publications, Inc., 1992.

Fig. 5-6. Reprinted with permission from Electronics Now, 11/92, p. 41. (c) Copyright Gernsback Publications, Inc., 1992.

Fig. 5-7. Reprinted with permission from 303 Circuits, p. 42.

Fig. 5-8. Reprinted with permission from Electronics Now, 11/92, p. 39. (c) Copyright Gernsback Publications, Inc., 1992.

Fig. 5-9. Reprinted with permission from Electronics Now, 11/92, p. 39. (c) Copyright Gernsback Publications, Inc., 1992.

Fig. 5-10. Reprinted with permission from R-E Experimenters Handbook, 1987, p. 74.

Fig. 5-11. Reprinted with permission from Popular Electronics, 1/92, p. 36. (c) Copyright Gernsback Publications, Inc., 1992.

Fig. 5-12. Reprinted with permission from Popular Electronics, Fact Card 243, (c) Copyright Gernsback Publications, Inc.

Fig. 5-13. Reprinted with permission from Radio-Electronics, 1/92, p. 35. (c) Copyright Gernsback Publications, Inc., 1992.

Fig. 5-14. Reprinted with permission from Popular Electronics, 4/92, p. 69. (c) Copyright Gernsback Publications, Inc., 1992.

Fig. 5-15. Reprinted with permission from Electronic Design, 3/89, p. 100.

Chapter 6

Fig. 6-1. Reprinted with permission from 303 Circuits, p. 22.

Fig. 6-2. Reprinted with permission from 303 Circuits, p. 10.

Fig. 6-3. William Sheets.

Fig. 6-4. Reprinted with permission from 303 Circuits, p. 40.

Fig. 6-5. Reprinted with permission from Popular Electronics, 6/92, p. 68. (c) Copyright Gernsback Publications, Inc., 1992.

Fig. 6-6. Reprinted with permission from 303 Circuits, pp. 12-13.

Fig. 6-7. William Sheets.

Fig. 6-8. Reprinted with permission from R-E Experimenters Handbook, 1987, p. 74.

Fig. 6-9. Reprinted with permission from Popular Electronics, Fact Card 267, (c) Copyright Gernsback Publications, Inc.

Fig. 6-10. Reprinted with permission from Popular Electronics, Fact Card 267, (c) Copyright Gernsback Publications, Inc.

Fig. 6-11. Reprinted with permission from R-E Experimenters Handbook, 1992, p. 37.

Fig. 6-12. Reprinted with permission from Popular Electronics, Fact Card 263, (c) Copyright Gernsback Publications, Inc.

Chapter 7

Fig. 7-1. Reprinted with permission from 73 Amateur Radio Today, 8/92, p. 36.

Fig. 7-2. William Sheets.

Fig. 7-3. Reprinted with permission from RF Communications Handbook, 1989, pp. 2-14.

Chapter 8

Fig. 8-1. Reprinted with permission from Popular Electronics, 9/92, p. 33. (c) Copyright Gernsback Publications, Inc., 1992.

Fig. 8-2. Reprinted with permission from Popular Electronics, 3/92, p. 75. (c) Copyright Gernsback Publications, Inc., 1992.

Fig. 8-3. William Sheets.

Fig. 8-4. Reprinted with permission from Electronics Now, 9/93, p. 63. (c) Copyright Gernsback Publications, Inc., 1993.

Fig. 8-5. William Sheets.

Fig. 8-6. Reprinted with permission from Silicon Chip, p. 27.

Fig. 8-7. Reprinted with permission from PE Hobbyist Handbook, 1990, pp. 86-87. (c) Copyright Gernsback Publications, Inc., 1990.

Fig. 8-8. Reprinted with permission from Electronics Now, 11/92, p. 59. (c) Copyright Gernsback Publications, Inc., 1992.

Fig. 8-9. Reprinted with permission from Electronics Hobbyist Handbook, 1993, p. 22.

Fig. 8-10. Reprinted with permission from Popular Electronics, 10/93, p. 64. (c) Copyright Gernsback Publications, Inc., 1993.

Fig. 8-11. Reprinted with permission from PE Hobbyist Handbook, p. 73. (c) Copyright Gernsback Publications, Inc.

Fig. 8-12. Reprinted with permission from Popular Electronics, 3/93, p. 62. (c) Copyright Gernsback Publications, Inc., 1993.

- Fig. 8-13. Reprinted with permission from Popular Electronics, 11/93, p. 72. (c) Copyright Gernsback Publications, Inc., 1993.
- Fig. 8-14. Reprinted with permission from Popular Electronics, 3/92, p. 73. (c) Copyright Gernsback Publications, Inc., 1992.
- Fig. 8-15. Reprinted with permission from Popular Electronics, 3/92, p. 75. (c) Copyright Gernsback Publications, Inc., 1992.
- Fig. 8-16. Reprinted with permission from Popular Electronics, 3/92, p. 75. (c) Copyright Gernsback Publications, Inc., 1992.
- Fig. 8-17. Reprinted with permission from Popular Electronics, 3/92, p. 75. (c) Copyright Gernsback Publications, Inc., 1992.
- Fig. 8-18. Reprinted with permission from Popular Electronics, 12/92, p. 71. (c) Copyright Gernsback Publications, Inc., 1992.
- Fig. 8-19. William Sheets.
- Fig. 8-20. Reprinted with permission from Radio-Electronics, 12/91, p. 75. (c) Copyright Gernsback Publications, Inc., 1991.
- Fig. 8-21. Reprinted with permission from Radio-Electronics, 5/92, p. 82. (c) Copyright Gernsback Publications, Inc., 1992.
- Fig. 8-22. Reprinted with permission from Popular Electronics, 4/92, p. 71. (c) Copyright Gernsback Publications, Inc., 1992.
- Fig. 8-23. William Sheets.
- Fig. 8-24. Reprinted with permission from R-E Experimenters Handbook, 1989, p. 158.

Chapter 9

- Fig. 9-1. Reprinted with permission from Popular Electronics, 6/93, p. 76. (c) Copyright Gernsback Publications, Inc., 1993.
- Fig. 9-2. Reprinted with permission from R-E Experimenters Handbook, 1992, p. 122.
- Fig. 9-3. Reprinted with permission from Popular Electronics, 4/92, p. 71 & 88. (c) Copyright Gernsback Publications, Inc., 1992.
- Fig. 9-4. Reprinted with permission from National Semiconductor, Linear Edge, Summer 1992.
- Fig. 9-5. Reprinted with permission from Radio-Electronics, 5/92, p. 12. (c) Copyright Gernsback Publications, Inc., 1992.

Chapter 10

- Fig. 10-1. Reprinted with permission from PE Hobbyist Handbook, 1991, pp. 44-45. (c) Copyright Gernsback Publications, Inc., 1991.

- Fig. 10-2. Reprinted with permission from Electronics Now, 7/92, pp. 57-62. (c) Copyright Gernsback Publications, Inc., 1992.
- Fig. 10-3. Reprinted with permission from Popular Electronics, Fact Card 198. (c) Copyright Gernsback Publications, Inc.
- Fig. 10-4. Reprinted with permission from 73 Amateur Radio Today, 5/92, p. 26.
- Fig. 10-5. Reprinted with permission from Electronic Design, 7/93, p. 78.
- Fig. 10-6. Reprinted with permission from Popular Electronics, Fact Card 198. (c) Copyright Gernsback Publications, Inc.
- Fig. 10-7. Reprinted with permission from Popular Electronics, 11/91, p. 20. (c) Copyright Gernsback Publications, Inc., 1991.
- Fig. 10-8. Reprinted with permission from Linear Technology, Design Note 60.
- Fig. 10-9. Reprinted with permission from PE Hobbyist Handbook, 1991, pp. 63-64. (c) Copyright Gernsback Publications, Inc., 1991.
- Fig. 10-10. Reprinted with permission from Elektor Electronics, 12/91, p. 72.
- Fig. 10-11. Reprinted with permission from Elektor Electronics USA, 12/91, p. 36.

Chapter 11

- Fig. 11-1. Reprinted with permission from Popular Electronics, 8/93, p. 79. (c) Copyright Gernsback Publications, Inc., 1993.
- Fig. 11-2. Reprinted with permission from Popular Electronics, 6/93, p. 70. (c) Copyright Gernsback Publications, Inc., 1993.
- Fig. 11-3. Reprinted with permission from Popular Electronics, 8/93, p. 79. (c) Copyright Gernsback Publications, Inc., 1993.
- Fig. 11-4. Reprinted with permission from Popular Electronics, 8/93, p. 79. (c) Copyright Gernsback Publications, Inc., 1993.
- Fig. 11-5. Reprinted with permission from National Semiconductor, Linear Edge, Issue #5.
- Fig. 11-6. Reprinted with permission from Electronics Now, 9/92, p. 96. (c) Copyright Gernsback Publications, Inc., 1992.
- Fig. 11-7. William Sheets.

Chapter 12

- Fig. 12-1. Reprinted with permission from Electronics Hobbyist Handbook, 1993, p. 58.
- Fig. 12-2. Reprinted with permission from Electronics Hobbyist Handbook, 1993, p. 59.

Chapter 13

Fig. 13-1. Reprinted with permission from PE Hobbyist Handbook, 1992, p. 49. (c) Copyright Gernsback Publications, Inc.

Chapter 14

Fig. 14-1. Reprinted with permission from Popular Electronics, 3/93, p. 44. (c) Copyright Gernsback Publications, Inc., 1993.

Fig. 14-2. Reprinted with permission from 73 Amateur Radio Today, 5/92, p. 20.

Fig. 14-3. Reprinted with permission from 73 Amateur Radio Today, 5/92, p. 18.

Fig. 14-4. Reprinted with permission from Popular Electronics, Fact Card 206, (c) Copyright Gernsback Publications, Inc.

Fig. 14-5. William Sheets.

Fig. 14-6. Reprinted with permission from Popular Electronics, 10/93, p. 73. (c) Copyright Gernsback Publications, Inc., 1993.

Fig. 14-7. Reprinted with permission from Popular Electronics, Fact Card 206, (c) Copyright Gernsback Publications, Inc.

Chapter 15

Fig. 15-1. Reprinted with permission from PE Hobbyist Handbook, 1991, pp. 24-26. (c) Copyright Gernsback Publications, Inc., 1991.

Chapter 16

Fig. 16-1. Reprinted with permission from Popular Electronics, 3/92, p. 60. (c) Copyright Gernsback Publications, Inc., 1992.

Fig. 16-2. Reprinted with permission from Electronics Now, 7/92, p. 51. (c) Copyright Gernsback Publications, Inc., 1992.

Fig. 16-3. Reprinted with permission from Electronic Design, 3/93, pp. 67-68.

Chapter 17

Fig. 17-1. Reprinted with permission from Elektor Electronics, 12/91, pp. 78-79.

Fig. 17-2. Reprinted with permission from Electronics Hobbyist Handbook, 1993, p. 84.

Fig. 17-3. Reprinted with permission from Electronic Design.

Fig. 17-4. Reprinted with permission from Popular Electronics, 11/91, p. 20. (c) Copyright Gernsback Publications, Inc., 1991.

Fig. 17-5. Reprinted with permission from Popular

Electronics, 6/93, p. 72. (c) Copyright Gernsback Publications, Inc., 1993.

Chapter 18

Fig. 18-1. Reprinted with permission from Popular Electronics, 12/91, p. 58. (c) Copyright Gernsback Publications, Inc., 1991.

Fig. 18-2. Reprinted with permission from PE Hobbyist Handbook, 1990, pp. 34-36. (c) Copyright Gernsback Publications, Inc., 1990.

Fig. 18-3. Reprinted with permission from Electronic Design, 5/92, p. 91.

Fig. 18-4. Reprinted with permission from Popular Electronics, 6/92, p. 57. (c) Copyright Gernsback Publications, Inc., 1992.

Fig. 18-5. Reprinted with permission from R-E Experimenters Handbook, 1992, p. 92.

Fig. 18-6. Reprinted with permission from Radio-Electronics, 3/92, p. 50. (c) Copyright Gernsback Publications, Inc., 1992.

Fig. 18-7. Reprinted with permission from 303 Circuits, p. 197.

Fig. 18-8. Reprinted with permission from Radio-Electronics, 2/92, p. 42. (c) Copyright Gernsback Publications, Inc., 1992.

Fig. 18-9. Reprinted with permission from Popular Electronics, 12/91, p. 58. (c) Copyright Gernsback Publications, Inc., 1991.

Fig. 18-10. Reprinted with permission from National Semiconductor, Linear Edge, Issue #4, Summer 1992.

Fig. 18-11. Reprinted with permission from 73 Amateur Radio Today, 2/93, p. 28.

Fig. 18-12. William Sheets.

Fig. 18-13. Reprinted with permission from 73 Amateur Radio Today, 3/92, p. 24.

Fig. 18-14. Reprinted with permission from Popular Electronics, 7/92, p. 70. (c) Copyright Gernsback Publications, Inc., 1992.

Fig. 18-15. Reprinted with permission from Electronics Now, 9/92, p. 79. (c) Copyright Gernsback Publications, Inc., 1992.

Fig. 18-16. Reprinted with permission from National Semiconductor, Linear Edge, Spring 1992.

Fig. 18-17. Reprinted with permission from Popular Electronics, Fact Card 259, (c) Copyright Gernsback Publications, Inc.

Fig. 18-18. Reprinted with permission from Popular Electronics, Fact Card 257, (c) Copyright Gernsback Publications, Inc.

Fig. 18-19. Reprinted with permission from Linear Technology Corporation, 1993, Design Note 69.

Chapter 19

Fig. 19-1. Reprinted with permission from Electronics Hobbyist Handbook, 1993, p. 47.

Fig. 19-2. Reprinted with permission from PE Hobbyist Handbook, 1990, p. 101. (c) Copyright Gernsback Publications, Inc., 1990.

Chapter 20

Fig. 20-1. Reprinted with permission from RF Design, 5/92, p. 80.

Fig. 20-2. William Sheets.

Fig. 20-3. Reprinted with permission from Electronic Design, 11/92, p. 61.

Fig. 20-4. Reprinted with permission from Electronics Now, 12/92, p. 12. (c) Copyright Gernsback Publications, Inc., 1992.

Fig. 20-5. Reprinted with permission from Radio-Electronics, 2/92, p. 89. (c) Copyright Gernsback Publications, Inc., 1992.

Fig. 20-6. Reprinted with permission from 73 Amateur Radio Today, 5/92, p. 64.

Fig. 20-7. Reprinted with permission from 73 Amateur Radio Today, 8/92, p. 48.

Fig. 20-8. Reprinted with permission from 73 Amateur Radio Today, 1/92, p. 22.

Fig. 20-9. Reprinted with permission from 73 Amateur Radio Today, 7/92, p. 60.

Fig. 20-10. William Sheets.

Fig. 20-11. Reprinted with permission from Popular Electronics, Fact Card 229, (c) Copyright Gernsback Publications, Inc.

Chapter 21

Fig. 21-1. Reprinted with permission from Electronics Hobbyist Handbook, 1993, p. 78.

Fig. 21-2. Reprinted with permission from National Semiconductor, Linear Edge, Issue #5.

Fig. 21-3. Reprinted with permission from Popular Electronics, Fact Card 257, (c) Copyright Gernsback Publications, Inc.

Fig. 21-4. Reprinted with permission from National Semiconductor, Linear Edge, Issue #5.

Chapter 22

Fig. 22-1. Reprinted with permission from Silicon Chip.

Fig. 22-2. Reprinted with permission from Electronics Now, 12/92, p. 49. (c) Copyright Gernsback Publications, Inc., 1992.

Chapter 23

Fig. 23-1. Reprinted with permission from Elektor Electronics, 12/91, p. 81.

Chapter 24

Fig. 24-1. Reprinted with permission from PE Hobbyist Handbook, 1992, p. 70. (c) Copyright Gernsback Publications, Inc., 1992.

Fig. 24-2. Reprinted with permission from Electronics Now, 12/92, p. 61. (c) Copyright Gernsback Publications, Inc., 1992.

Fig. 24-3. Reprinted with permission from Electronics Now, 12/92, p. 65. (c) Copyright Gernsback Publications, Inc., 1992.

Fig. 24-4. Reprinted with permission from Electronic Design, 5/92, p. 95.

Fig. 24-5. Reprinted with permission from Linear Technology, Design Note 61.

Fig. 24-6. Reprinted with permission from Linear Technology, Design Note 61.

Fig. 24-7. Reprinted with permission from Linear Technology, Design Note 61.

Fig. 24-8. Reprinted with permission from Popular Electronics, Fact Card, 270, (c) Copyright Gernsback Publications, Inc.

Fig. 24-9. Reprinted with permission from Popular Electronics, Fact Card, 269, (c) Copyright Gernsback Publications, Inc.

Fig. 24-10. Reprinted with permission from Popular Electronics, Fact Card, 270, (c) Copyright Gernsback Publications, Inc.

Fig. 24-11. Reprinted with permission from 73 Amateur Radio Today, 8/89, p. 48.

Chapter 25

Fig. 25-1. Reprinted with permission from PE Hobbyist Handbook, 1992, pp. 63-64. (c) Copyright Gernsback Publications, Inc., 1992.

Fig. 25-2. Reprinted with permission from 303 Circuits, p. 14.

Fig. 25-3. Reprinted with permission from R-E Experimenters Handbook, 1989, p. 58.

Fig. 25-4. Reprinted with permission from R-E Experimenters Handbook, 1989, p. 57.

Fig. 25-5. Reprinted with permission from R-E Experimenters Handbook, 1989, p. 57.

Fig. 25-6. Reprinted with permission from Elektor Electronics USA, 12/91, p. 36.

Chapter 26

- Fig. 26-1. Reprinted with permission from Radio-Electronics, 5/92, p. 72. (c) Copyright Gernsback Publications, Inc., 1992.
- Fig. 26-2. Reprinted with permission from Radio-Electronics, 5/92, p. 71. (c) Copyright Gernsback Publications, Inc., 1992.
- Fig. 26-3. Reprinted with permission from Electronic Design, 8/92, p. 70.
- Fig. 26-4. Reprinted with permission from Radio-Electronics, 5/92, p. 69. (c) Copyright Gernsback Publications, Inc., 1992.
- Fig. 26-5. Reprinted with permission from Radio-Electronics, 5/92, p. 69. (c) Copyright Gernsback Publications, Inc., 1992.
- Fig. 26-6. Reprinted with permission from Radio-Electronics, 5/92, p. 70. (c) Copyright Gernsback Publications, Inc., 1992.
- Fig. 26-7. Reprinted with permission from Radio-Electronics, 5/92, p. 69. (c) Copyright Gernsback Publications, Inc., 1992.
- Fig. 26-8. Reprinted with permission from Radio-Electronics, 5/92, p. 70. (c) Copyright Gernsback Publications, Inc., 1992.
- Fig. 26-9. Reprinted with permission from Radio-Electronics, 5/92, p. 71. (c) Copyright Gernsback Publications, Inc., 1992.
- Fig. 26-10. Reprinted with permission from Radio-Electronics, 5/92, p. 70. (c) Copyright Gernsback Publications, Inc., 1992.
- Fig. 26-11. Reprinted with permission from Radio-Electronics, 5/92, p. 71. (c) Copyright Gernsback Publications, Inc., 1992.
- Fig. 26-12. Reprinted with permission from Radio-Electronics, 5/92, p. 70. (c) Copyright Gernsback Publications, Inc., 1992.

Chapter 27

- Fig. 27-1. Reprinted with permission from Popular Electronics, 9/93, p. 42. (c) Copyright Gernsback Publications, Inc., 1993.
- Fig. 27-2. Reprinted with permission from 303 Circuits, p. 266.
- Fig. 27-3. Reprinted with permission from Popular Electronics, 6/93, p. 63. (c) Copyright Gernsback Publications, Inc., 1993.

Chapter 28

- Fig. 28-1. Reprinted with permission from R-E Experimenters Handbook, 1992, p. 65.

- Fig. 28-2. Reprinted with permission from R-E Experimenters Handbook, 1992, p. 65.

Chapter 29

- Fig. 29-1. Reprinted with permission from 73 Amateur Radio Today, 3/92, p. 44.
- Fig. 29-2. Reprinted with permission from 73 Amateur Radio Today, 1/92
- Fig. 29-3. Reprinted with permission from 73 Amateur Radio Today, 5/90, p. 80.
- Fig. 29-4. Reprinted with permission from 73 Amateur Radio Today, 9/90, p. 9.
- Fig. 29-5. Reprinted with permission from Popular Electronics, 11/93, p. 73. (c) Copyright Gernsback Publications, Inc., 1993.

Chapter 30

- Fig. 30-1. Reprinted with permission from Popular Electronics, Fact Card, 226, (c) Copyright Gernsback Publications, Inc.
- Fig. 30-2. Reprinted with permission from Popular Electronics, Fact Card, 226, (c) Copyright Gernsback Publications, Inc.
- Fig. 30-3. Reprinted with permission from Popular Electronics, Fact Card, 226, (c) Copyright Gernsback Publications, Inc.
- Fig. 30-4. Reprinted with permission from Popular Electronics, Fact Card, 227. (c) Copyright Gernsback Publications, Inc.
- Fig. 30-5. Reprinted with permission from Popular Electronics, Fact Card, 227. (c) Copyright Gernsback Publications, Inc.
- Fig. 30-6. Reprinted with permission from Popular Electronics, Fact Card, 227. (c) Copyright Gernsback Publications, Inc.
- Fig. 30-7. Reprinted with permission from Popular Electronics, Fact Card, 227. (c) Copyright Gernsback Publications, Inc.
- Fig. 30-8. Reprinted with permission from Popular Electronics, Fact Card, 228. (c) Copyright Gernsback Publications, Inc.
- Fig. 30-9. Reprinted with permission from Popular Electronics, Fact Card, 228. (c) Copyright Gernsback Publications, Inc.
- Fig. 30-10. Reprinted with permission from Popular Electronics, Fact Card, 228. (c) Copyright Gernsback Publications, Inc.
- Fig. 30-11. Reprinted with permission from Popular Electronics, Fact Card, 228. (c) Copyright Gernsback Publications, Inc.

Fig. 30-12. Reprinted with permission from Popular Electronics, Fact Card, 225. (c) Copyright Gernsback Publications, Inc.

Fig. 30-13. Reprinted with permission from Popular Electronics, Fact Card, 224. (c) Copyright Gernsback Publications, Inc.

Fig. 30-14. Reprinted with permission from Popular Electronics, Fact Card, 223. (c) Copyright Gernsback Publications, Inc.

Fig. 30-15. Reprinted with permission from Popular Electronics, Fact Card, 231. (c) Copyright Gernsback Publications, Inc.

Fig. 30-16. Reprinted with permission from Popular Electronics, Fact Card, 231. (c) Copyright Gernsback Publications, Inc.

Fig. 30-17. Reprinted with permission from Electronic Design, 2/93, p. 75.

Fig. 30-18. Reprinted with permission from Electronics Now, 8/93, p. 73. (c) Copyright Gernsback Publications, Inc., 1993.

Fig. 30-19. Reprinted with permission from Electronics Now, 8/93, p. 72. (c) Copyright Gernsback Publications, Inc., 1993.

Fig. 30-20. Reprinted with permission from Electronics Now, 4/93, p. 72. (c) Copyright Gernsback Publications, Inc., 1993.

Fig. 30-21. Reprinted with permission from Electronics Now, 8/93, p. 70. (c) Copyright Gernsback Publications, Inc., 1993.

Fig. 30-22. Reprinted with permission from Popular Electronics, 6/92, p. 68. (c) Copyright Gernsback Publications, Inc., 1992.

Fig. 30-23. Reprinted with permission from Electronics Now, 8/93, p. 71. (c) Copyright Gernsback Publications, Inc., 1993.

Fig. 30-24. Reprinted with permission from Popular Electronics, 6/92, p. 67. (c) Copyright Gernsback Publications, Inc., 1992.

Fig. 30-25. Reprinted with permission from Electronics Now, 8/93, p. 71. (c) Copyright Gernsback Publications, Inc., 1993.

Fig. 30-26. Reprinted with permission from Electronics Now, 8/93, p. 71. (c) Copyright Gernsback Publications, Inc., 1993.

Fig. 30-27. Reprinted with permission from Linear Technology Corporation, 1993, Advertisement, Circle No. 51.

Fig. 30-28. Reprinted with permission from Electronics Now, 8/93, p. 70. (c) Copyright Gernsback Publications, Inc., 1993.

Fig. 30-29. William Sheets.

Fig. 30-30. William Sheets.

Fig. 30-31. William Sheets.

Fig. 30-32. William Sheets.

Fig. 30-33. William Sheets.

Fig. 30-34. William Sheets.

Fig. 30-35. Reprinted with permission from Electronic Design, 7/92, p. 62.

Fig. 30-36. Reprinted with permission from 303 Circuits, p. 185.

Fig. 30-37. Reprinted with permission from National Semiconductor, Linear Edge, Summer 1992.

Fig. 30-38. Reprinted with permission from Popular Electronics, Fact Card 224. (c) Copyright Gernsback Publications, Inc.

Fig. 30-39. Reprinted with permission from Popular Electronics, Fact Card 231. (c) Copyright Gernsback Publications, Inc.

Fig. 30-40. Reprinted with permission from Popular Electronics, Fact Card 242. (c) Copyright Gernsback Publications, Inc.

Fig. 30-41. William Sheets.

Chapter 31

Fig. 31-1. Reprinted with permission from R-E Experimenters Handbook, 1989, p. 159.

Fig. 31-2. Reprinted with permission from Popular Electronics, 12/91, p. 80. (c) Copyright Gernsback Publications, Inc., 1991.

Fig. 31-3. William Sheets.

Fig. 31-4. William Sheets.

Fig. 31-5. Reprinted with permission from PE Hobbyist Handbook, 1991, p. 10. (c) Copyright Gernsback Publications, Inc., 1991.

Fig. 31-6. William Sheets.

Fig. 31-7. Reprinted with permission from Radio-Electronics, 11/89, p. 12. (c) Copyright Gernsback Publications, Inc., 1989.

Fig. 31-8. Reprinted with permission from R-E Experimenters Handbook, p. 28.

Chapter 32

Fig. 32-1. Reprinted with permission from Electronic Engineering, 9/89, p. 30.

Chapter 33

Fig. 33-1. Reprinted with permission from Electronic Design, 7/93, p. 76.

Fig. 33-2. Reprinted with permission from Popular Electronics, Fact Card 254. (c) Copyright Gernsback Publications, Inc.

Fig. 33-3. Reprinted with permission from 73 Amateur Radio Today, 1/92, p. 28.

Fig. 33-4. Reprinted with permission from Popular Electronics, Fact Card 253. (c) Copyright Gernsback Publications, Inc.

Fig. 33-5. Reprinted with permission from Popular Electronics, 11/91, p. 22. (c) Copyright Gernsback Publications, Inc., 1991.

Fig. 33-6. Reprinted with permission from Elektor Electronics, 3/92, p. 58.

Fig. 33-7. William Sheets.

Fig. 33-8. William Sheets.

Fig. 33-9. Reprinted with permission from Popular Electronics, Fact Card 230. (c) Copyright Gernsback Publications, Inc.

Fig. 33-10. William Sheets.

Fig. 33-11. Reprinted with permission from Popular Electronics, Fact Card 257. (c) Copyright Gernsback Publications, Inc.

Fig. 33-12. Reprinted with permission from Popular Electronics, Fact Card 243. (c) Copyright Gernsback Publications, Inc.

Fig. 33-13. Reprinted with permission from Electronic Design, 7/93, p. 76.

Fig. 33-14. William Sheets.

Fig. 33-15. Reprinted with permission from Popular Electronics, Fact Card 258. (c) Copyright Gernsback Publications, Inc.

Chapter 34

Fig. 34-1. Reprinted with permission from Electronics Hobbyist Handbook, 1993, p. 33.

Fig. 34-2. Reprinted with permission from PE Hobbyist Handbook, 1991, p. 47. (c) Copyright Gernsback Publications, Inc., 1991.

Fig. 34-3. Reprinted with permission from PE Hobbyist Handbook, 1991, pp. 36-37. (c) Copyright Gernsback Publications, Inc., 1991.

Chapter 35

Fig. 35-1. Reprinted with permission from Popular Electronics, 11/93, p. 33. (c) Copyright Gernsback Publications, Inc., 1993.

Fig. 35-2. Reprinted with permission from Electronics Now, 7/93, p. 40. (c) Copyright Gernsback Publications, Inc., 1993.

Chapter 36

Fig. 36-1. Reprinted with permission from Popular Electronics, Fact Card, 268. (c) Copyright Gernsback Publications, Inc.

Chapter 37

Fig. 37-1. Reprinted with permission from Popular Electronics, 7/92, pp. 42-43. (c) Copyright Gernsback Publications, Inc., 1992.

Fig. 37-2. Reprinted with permission from PE Hobbyist Handbook, 1991, p. 59. (c) Copyright Gernsback Publications, Inc., 1991.

Chapter 38

Fig. 38-1. Reprinted with permission from Electronics Hobbyist Handbook, 1993, p. 81.

Fig. 38-2. Reprinted with permission from Popular Electronics, 7/93, p. 75. (c) Copyright Gernsback Publications, Inc., 1993.

Chapter 39

Fig. 39-1. Reprinted with permission from Popular Electronics, 6/92, p. 39. (c) Copyright Gernsback Publications, Inc., 1992.

Fig. 39-2. Reprinted with permission from Popular Electronics, 1/92, p. 24. (c) Copyright Gernsback Publications, Inc., 1992.

Fig. 39-3. Reprinted with permission from Radio-Electronics, 10/89, p. 43. (c) Copyright Gernsback Publications, Inc., 1989.

Fig. 39-4. Reprinted with permission from Popular Electronics, 1/92, p. 24. (c) Copyright Gernsback Publications, Inc., 1992.

Fig. 39-5. William Sheets.

Fig. 39-6. William Sheets.

Fig. 39-7. Reprinted with permission from Popular Electronics, 12/93, p. 32. (c) Copyright Gernsback Publications, Inc., 1993.

Fig. 39-8. Reprinted with permission from Popular Electronics, 12/93, p. 32. (c) Copyright Gernsback Publications, Inc., 1993.

Fig. 39-9. Reprinted with permission from PE Hobbyist Handbook, 1991, pp. 75-77. (c) Copyright Gernsback Publications, Inc., 1991.

Fig. 39-10. Reprinted with permission from Radio-Electronics, 10/89, p. 43. (c) Copyright Gernsback Publications, Inc., 1989.

Fig. 39-11. Reprinted with permission from Popular Electronics, 3/93, p. 43. (c) Copyright Gernsback Publications, Inc., 1993.

Fig. 39-12. Reprinted with permission from Electronics Now, 5/93, p. 12. (c) Copyright Gernsback Publications, Inc., 1993.

Fig. 39-13. Reprinted with permission from Electronics Now, 3/93, p. 83. (c) Copyright Gernsback Publications, Inc., 1993.

Chapter 40

- Fig. 40-1. Reprinted with permission from Popular Electronics, 4/92, p. 88. (c) Copyright Gernsback Publications, Inc., 1992.
- Fig. 40-2. Reprinted with permission from Popular Electronics, 4/92, pp. 70-71. (c) Copyright Gernsback Publications, Inc., 1992.

Chapter 41

- Fig. 41-1. Reprinted with permission from National Semiconductor, Linear Edge, Spring 1992.
- Fig. 41-2. Reprinted with permission from National Semiconductor, Linear Edge, Summer 1992.

Chapter 42

- Fig. 42-1. Reprinted with permission from Popular Electronics, Fact Card 255. (c) Copyright Gernsback Publications, Inc.

Chapter 43

- Fig. 43-1. Reprinted with permission from Popular Electronics, 4/92, p. 67. (c) Copyright Gernsback Publications, Inc., 1992.
- Fig. 43-2. Reprinted with permission from Popular Electronics, 8/91, p. 75. (c) Copyright Gernsback Publications, Inc., 1991.
- Fig. 43-3. Reprinted with permission from Popular Electronics, 8/92, p. 76. (c) Copyright Gernsback Publications, Inc., 1992.

Chapter 44

- Fig. 44-1. Reprinted with permission from Radio-Electronics, 2/92, p. 66. (c) Copyright Gernsback Publications, Inc., 1992.
- Fig. 44-2. Reprinted with permission from Popular Electronics, Fact Card 265. (c) Copyright Gernsback Publications, Inc.
- Fig. 44-3. Reprinted with permission from 73 Amateur Radio Today, 4/89, p. 87. (c) Copyright Gernsback Publications, Inc., 1989.
- Fig. 44-4. Reprinted with permission from Popular Electronics, 6/93, p. 55. (c) Copyright Gernsback Publications, Inc., 1993.
- Fig. 44-5. Reprinted with permission from Radio-Electronics, 7/90, p. 64. (c) Copyright Gernsback Publications, Inc., 1990.

Chapter 45

- Fig. 45-1. Reprinted with permission from Electronics Now, 10/92, p. 76. (c) Copyright Gernsback Publications, Inc., 1992.

Fig. 45-2. William Sheets.

Fig. 45-3. Reprinted with permission from Popular Electronics, Fact Card 267. (c) Copyright Gernsback Publications, Inc.

Fig. 45-4. Reprinted with permission from Popular Electronics, Fact Card 266. (c) Copyright Gernsback Publications, Inc.

Chapter 46

Fig. 46-1. Reprinted with permission from Electronics Hobbyist Handbook, 1993, p. 14.

Chapter 47

- Fig. 47-1. Reprinted with permission from Electronic Design, 10/93, p. 73.
- Fig. 47-2. Reprinted with permission from 73 Amateur Radio Today, 7/92, p. 62.
- Fig. 47-3. Reprinted with permission from R-E Experimenters Handbook, 1992, p. 122.
- Fig. 47-4. William Sheets.
- Fig. 47-5. Reprinted with permission from PE Hobbyist handbook, 1991, pp. 42-43. (c) Copyright Gernsback Publications, Inc., 1991.
- Fig. 47-6. Reprinted with permission from Popular Electronics, 6/93, p. 78. (c) Copyright Gernsback Publications, Inc., 1993.

Chapter 48

Fig. 48-1. Reprinted with permission from PE Hobbyist Handbook, 1991, pp. 89-90. (c) Copyright Gernsback Publications, Inc., 1991.

Chapter 49

- Fig. 49-1. Reprinted with permission from Popular Electronics, Application Circuit 215. (c) Copyright Gernsback Publications, Inc.
- Fig. 49-2. Reprinted with permission from Popular Electronics, Application Circuit 215. (c) Copyright Gernsback Publications, Inc.
- Fig. 49-3. Reprinted with permission from Electronics Now, 12/92, p. 60. (c) Copyright Gernsback Publications, Inc., 1992.
- Fig. 49-4. Reprinted with permission from Electronics Now, 12/92, p. 59. (c) Copyright Gernsback Publications, Inc., 1992.
- Fig. 49-5. William Sheets.
- Fig. 49-6. William Sheets.
- Fig. 49-7. Reprinted with permission from Popular Electronics, 3/92, p. 71. (c) Copyright Gernsback Publications, Inc., 1992.
- Fig. 49-8. Reprinted with permission from Popular

Electronics, 3/92, p. 71. (c) Copyright Gernsback Publications, Inc., 1992.

Chapter 50

Fig. 50-1. Reprinted with permission from PE Hobbyist Handbook, 1991, pp. 79-80. (c) Copyright Gernsback Publications, Inc., 1991.

Fig. 50-2. Reprinted with permission from PE Hobbyist Handbook, 1990, pp. 45-47. (c) Copyright Gernsback Publications, Inc., 1990.

Fig. 50-3. Reprinted with permission from Electronics Hobbyist Handbook, 1993, p. 64.

Fig. 50-4. Reprinted with permission from 303 Circuits, p. 238.

Fig. 50-5. Reprinted with permission from Electronics Design, 5/92, p. 93.

Fig. 50-6. Reprinted with permission from Radio-Electronics, 7/90, p. 65. (c) Copyright Gernsback Publications, Inc., 1990.

Fig. 50-7. Reprinted with permission from PE Hobbyist Handbook, 1991, p. 82. (c) Copyright Gernsback Publications, Inc., 1991.

Fig. 50-8. Reprinted with permission from Radio-Electronics, 7/90, p. 64. (c) Copyright Gernsback Publications, Inc., 1990.

Fig. 50-9. Reprinted with permission from 303 Circuits, p. 251.

Fig. 50-10. Reprinted with permission from Popular Electronics, 11/93, p. 71. (c) Copyright Gernsback Publications, Inc., 1993.

Fig. 50-11. Reprinted with permission from Elektor Electronics, 12/91, p. 87.

Fig. 50-12. Reprinted with permission from Radio-Electronics, 10/89, p. 12. (c) Copyright Gernsback Publications, Inc., 1989.

Fig. 50-13. Reprinted with permission from Electronic Design, 5/92, p. 93.

Fig. 50-14. Reprinted with permission from 303 Circuits, p. 63.

Chapter 51

Fig. 51-1. Reprinted with permission from Popular Electronics, 8/92, p. 73. (c) Copyright Gernsback Publications, Inc., 1992.

Fig. 51-2. William Sheets.

Fig. 51-3. William Sheets.

Fig. 51-4. William Sheets.

Fig. 51-5. William Sheets.

Fig. 51-6. William Sheets.

Fig. 51-7. William Sheets.

Fig. 51-8. William Sheets.

Fig. 51-9. Reprinted with permission from Popular Electronics, 2/92, p. 90. (c) Copyright Gernsback Publications, Inc., 1992.

Fig. 51-10. William Sheets.

Fig. 51-11. William Sheets.

Fig. 51-12. William Sheets.

Fig. 51-13. Reprinted with permission from Popular Electronics, 3/93, p. 43. (c) Copyright Gernsback Publications, Inc., 1993.

Fig. 51-14. William Sheets.

Fig. 51-15. William Sheets.

Chapter 52

Fig. 52-1. Reprinted with permission from PE Hobbyist Handbook, pp. 93-94.

Fig. 52-2. Reprinted with permission from Popular Electronics, 6/92, p. 33. (c) Copyright Gernsback Publications, Inc., 1992.

Chapter 53

Fig. 53-1. Reprinted with permission from Popular Electronics, 12/91, p. 22. (c) Copyright Gernsback Publications, Inc., 1991.

Fig. 53-2. Reprinted with permission from Popular Electronics, 12/91, p. 18. (c) Copyright Gernsback Publications, Inc., 1991.

Chapter 54

Fig. 54-1. Reprinted with permission from Electronic Design, 2/93, p. 83.

Fig. 54-2. Reprinted with permission from 73 Amateur Radio Today, 11/92, p. 34.

Fig. 54-3. Reprinted with permission from Popular Electronics, Fact Card 258. (c) Copyright Gernsback Publications, Inc.

Chapter 55

Fig. 55-1. Reprinted with permission from Radio-Electronics, 12/91, pp. 31-36. (c) Copyright Gernsback Publications, Inc., 1991.

Fig. 55-2. Reprinted with permission from Radio-Electronics, 12/91, p. 48. (c) Copyright Gernsback Publications, Inc., 1991.

Fig. 55-3. William Sheets.

Fig. 55-4. Reprinted with permission from Popular Electronics, 2/92, pp. 53-54. (c) Copyright Gernsback Publications, Inc., 1992.

Fig. 55-5. Reprinted with permission from R-E Experimenters Handbook, 1989, p. 39.

Fig. 55-6. Reprinted with permission from Radio-Electronics, 5/92, p. 52. (c) Copyright Gernsback Publications, Inc., 1992.

- Fig. 55-7. Reprinted with permission from Electronics Now, 7/93, p. 45. (c) Copyright Gernsback Publications, Inc., 1993.
- Fig. 55-8. Reprinted with permission from Radio-Electronics, 8/86, p. 42. (c) Copyright Gernsback Publications, Inc., 1986.
- Fig. 55-9. Reprinted with permission from Popular Electronics, 4/92, p. 53. (c) Copyright Gernsback Publications, Inc., 1992.
- Fig. 55-10. Reprinted with permission from Popular Electronics, 12/91, p. 26. (c) Copyright Gernsback Publications, Inc., 1991.
- Fig. 55-11. Reprinted with permission from Popular Electronics, 9/92, p. 72. (c) Copyright Gernsback Publications, Inc., 1992.
- Fig. 55-12. William Sheets.
- Fig. 55-13. Reprinted with permission from R-E Experimenters Handbook, 1989, p. 101.
- Fig. 55-14. Reprinted with permission from Popular Electronics, 3/93, p. 42. (c) Copyright Gernsback Publications, Inc., 1993.
- Fig. 55-15. William Sheets.
- Fig. 55-16. Reprinted with permission from Electronics Hobbyist Handbook, 1993, p. 90.
- Fig. 55-17. Reprinted with permission from Electronic Design, 4/93, p. 94.
- Fig. 55-18. Reprinted with permission from Radio-Electronics, 12/91, p. 51. (c) Copyright Gernsback Publications, Inc., 1991.
- Fig. 55-19. Reprinted with permission from Popular Electronics, 5/92, p. 75. (c) Copyright Gernsback Publications, Inc., 1992.
- Fig. 55-20. Reprinted with permission from 303 Circuits, p. 308.
- Fig. 55-21. Reprinted with permission from Electronics Now, 12/92, p. 64. (c) Copyright Gernsback Publications, Inc., 1992.
- Fig. 55-22. William Sheets.
- Fig. 55-23. Reprinted with permission from Popular Electronics, 3/93, p. 42. (c) Copyright Gernsback Publications, Inc., 1993.
- Fig. 55-24. Reprinted with permission from Popular Electronics, Fact Card 110. (c) Copyright Gernsback Publications, Inc.
- Fig. 55-25. Reprinted with permission from Electronic Design, 4/93, p. 56.
- Fig. 55-26. Reprinted with permission from Popular Electronics, Fact Card 221. (c) Copyright Gernsback Publications, Inc.
- Fig. 55-27. Reprinted with permission from Popular Electronics, Fact Card 221. (c) Copyright Gernsback Publications, Inc.
- Fig. 55-28. Reprinted with permission from Popular Electronics, 11/93, p. 42. (c) Copyright Gernsback Publications, Inc., 1993.
- Fig. 55-29. Reprinted with permission from Popular Electronics, 9/93, p. 45. (c) Copyright Gernsback Publications, Inc., 1993.
- Fig. 55-30. Reprinted with permission from 303 Circuits, p. 187.
- Fig. 55-31. Reprinted with permission from 73 Amateur Radio Today, 5/92, p. 62.
- Fig. 55-32. Reprinted with permission from Electronics Now, 8/93, p. 73. (c) Copyright Gernsback Publications, Inc., 1993.
- Fig. 55-33. Reprinted with permission from Popular Electronics, 11/91, p. 18. (c) Copyright Gernsback Publications, Inc., 1991.
- Fig. 55-34. Reprinted with permission from R-E Experimenters Handbook, 1989, pp. 156-157.
- Fig. 55-35. Reprinted with permission from Popular Electronics, 3/93, p. 75. (c) Copyright Gernsback Publications, Inc., 1993.
- Fig. 55-36. Reprinted with permission from R-E Experimenters Handbook, 1992, p. 31.
- Fig. 55-37. Reprinted with permission from Electronic Design, 5/92, p. 92.
- Fig. 55-38. Reprinted with permission from Popular Electronics, 9/92, p. 72. (c) Copyright Gernsback Publications, Inc., 1992.
- Fig. 55-39. Reprinted with permission from 73 Amateur Radio Today, 1/92, p. 38.
- Fig. 55-40. Reprinted with permission from Popular Electronics, 3/93, p. 42. (c) Copyright Gernsback Publications, Inc., 1993.
- Fig. 55-41. Reprinted with permission from 303 Circuits, p. 248.
- Fig. 55-42. William Sheets.
- Fig. 55-43. Reprinted with permission from PE Hobbyist Handbook, 1991, p. 14. (c) Copyright Gernsback Publications, Inc., 1991.
- Fig. 55-44. William Sheets.
- Fig. 55-45. Reprinted with permission from Electronic Design, 3/93.
- Fig. 55-46. Reprinted with permission from Popular Electronics, 9/93, p. 46. (c) Copyright Gernsback Publications, Inc., 1993.
- Fig. 55-47. Reprinted with permission from Popular Electronics, Fact Card, 198. (c) Copyright Gernsback Publications, Inc.

Fig. 55-48. Reprinted with permission from Popular Electronics, Fact Card, 221. (c) Copyright Gernsback Publications, Inc.

Fig. 55-49. Reprinted with permission from Popular Electronics, 3/93, p. 73. (c) Copyright Gernsback Publications, Inc., 1993.

Chapter 56

Fig. 56-1. Reprinted with permission from 303 Circuits, pp. 249-250.

Fig. 56-2. Reprinted with permission from Popular Electronics, 3/89, p. 69. (c) Copyright Gernsback Publications, Inc., 1989.

Fig. 56-3. Reprinted with permission from PE Hobbyist Handbook, 1991, pp. 71-72. (c) Copyright Gernsback Publications, Inc., 1991.

Chapter 57

Fig. 57-1. Reprinted with permission from Popular Electronics, 12/92, pp. 53-54. (c) Copyright Gernsback Publications, Inc., 1992.

Fig. 57-2. Reprinted with permission from Electronics Hobbyist Handbook, 1992, p. 93.

Fig. 57-3. Reprinted with permission from Popular Electronics, 3/93, p. 36. (c) Copyright Gernsback Publications, Inc., 1993.

Fig. 57-4. Reprinted with permission from Popular Electronics, 10/92, pp. 39-40. (c) Copyright Gernsback Publications, Inc., 1992.

Fig. 57-5. William Sheets.

Fig. 57-6. Reprinted with permission from 303 Circuits, p 265.

Fig. 57-7. Reprinted with permission from Popular Electronics, 11/93, p. 55. (c) Copyright Gernsback Publications, Inc., 1993.

Fig. 57-8. Reprinted with permission from R-E Experimenters Handbook, 1989, pp. 38-39.

Fig. 57-9. Reprinted with permission from Radio-Electronics, 1/92, p. 82. (c) Copyright Gernsback Publications, Inc., 1992.

Fig. 57-10. Reprinted with permission from Electronic Engineering, 11/89, pp. 21-22.

Fig. 57-11. Reprinted with permission from R-E Experimenters Handbook, pp. 118-120.

Fig. 57-12. Reprinted with permission from Electronic Design, 8/92, p. 70.

Fig. 57-13. Reprinted with permission from Electronics Now, 7/92, p. 10. (c) Copyright Gernsback Publications, Inc., 1992.

Fig. 57-14. Reprinted with permission from Popular Electronics, 12/92, p. 70. (c) Copyright Gernsback Publications, Inc., 1992.

Fig. 57-15. Reprinted with permission from 73 Amateur Radio Today, 8/92, p. 48.

Fig. 57-16. Reprinted with permission from Maxim Engineering Journal, Volume 4, pp. 11-12.

Fig. 57-17. Reprinted with permission from Radio-Electronics, 10/89, p. 13. (c) Copyright Gernsback Publications, Inc., 1989.

Fig. 57-18. Reprinted with permission from Elektor Electronics, 3/92, p.20.

Fig. 57-19. Reprinted with permission from Popular Electronics, Fact Card 223. (c) Copyright Gernsback Publications, Inc.

Fig. 57-20. Reprinted with permission from Popular Electronics, Fact Card 257. (c) Copyright Gernsback Publications, Inc.

Fig. 57-21. Reprinted with permission from Popular Electronics, Fact Card 259. (c) Copyright Gernsback Publications, Inc.

Fig. 57-22. Reprinted with permission from Popular Electronics, 11/93, p. 80. (c) Copyright Gernsback Publications, Inc., 1993.

Fig. 57-23. Reprinted with permission from 73 Amateur Radio Today, 3/92, p. 8.

Fig. 57-24. Reprinted with permission from Electronic Design, 4/93, p. 93.

Fig. 57-25. Reprinted with permission from Popular Electronics, 11/91, p. 18. (c) Copyright Gernsback Publications, Inc., 1991.

Fig. 57-26. Reprinted with permission from Popular Electronics, 11/91, p. 18. (c) Copyright Gernsback Publications, Inc., 1991.

Fig. 57-27. Reprinted with permission from Electronic Design, 7/92, p. 59.

Fig. 57-28. Reprinted with permission from Popular Electronics, 6/93, p. 55. (c) Copyright Gernsback Publications, Inc., 1993.

Fig. 57-29. Reprinted with permission from Electronic Design, 10/93, p. 74.

Fig. 57-30. Reprinted with permission from 73 Amateur Radio Today, 4/89, p. 87.

Fig. 57-31. William Sheets.

Fig. 57-32. Reprinted with permission from Popular Electronics, 9/92, p. 72. (c) Copyright Gernsback Publications, Inc., 1992.

Fig. 57-33. Reprinted with permission from Precision Monolithics Inc., 1981. Full Line Catalog, pp. 6-59.

Fig. 57-34. William Sheets.

Fig. 57-35. Reprinted with permission from Linear Databook, 1986, pp. 8-12.

Fig. 57-36. Reprinted with permission from QST, 3/89, p. 36.

Fig. 57-37. Reprinted with permission from 73 Amateur Radio Today, 2/93, p. 46. (c) Copyright Gernsback Publications, Inc., 1993.

Fig. 57-38. Reprinted with permission from 73 Amateur Radio Today, 2/93, p. 48. (c) Copyright Gernsback Publications, Inc., 1993.

Fig. 57-39. Reprinted with permission from Electronics Now, 10/92, p. 80. (c) Copyright Gernsback Publications, Inc., 1992.

Fig. 57-40. Reprinted with permission from Electronic Design, 5/92, p. 94.

Fig. 57-41. William Sheets.

Fig. 57-42. Reprinted with permission from QST, 3/89, p.35.

Fig. 57-43. Reprinted with permission from 73 Amateur Radio Today, 2/93, p. 46.

Fig. 57-44. Reprinted with permission from Popular Electronics, 3/92, p. 70. (c) Copyright Gernsback Publications, Inc., 1992.

Chapter 58

Fig. 58-1. Reprinted with permission from Silicon Chip, p. 56.

Fig. 58-2. Reprinted with permission from Electronics Now, 10/93, p. 12. (c) Copyright Gernsback Publications, Inc., 1993.

Fig. 58-3. William Sheets.

Fig. 58-4. William Sheets.

Fig. 58-5. Reprinted with permission from Popular Electronics, Fact Card 264. (c) Copyright Gernsback Publications, Inc.

Chapter 59

Fig. 59-1. Reprinted with permission from RF Design, 3/93, pp. 92-93.

Fig. 59-2. William Sheets.

Fig. 59-3. Reprinted with permission from RF Design, 3/93, p. 92.

Chapter 60

Fig. 60-1. Reprinted with permission from Silicon Chip, p. 46.

Fig. 60-2. Reprinted with permission from Popular Electronics, 10/92, pp. 31-32. (c) Copyright Gernsback Publications, Inc., 1992.

Fig. 60-3. Reprinted with permission from Popular Electronics, 10/93, p. 72. (c) Copyright Gernsback

Publications, Inc., 1993.

Fig. 60-4. Reprinted with permission from R-E Experimenters Handbook, p.41.

Chapter 61

Fig. 61-1. Reprinted with permission from Popular Electronics, Fact Card 198. (c) Copyright Gernsback Publications, Inc.

Fig. 61-2. Reprinted with permission from Popular Electronics, 9/92, p. 75. (c) Copyright Gernsback Publications, Inc., 1992.

Fig. 61-3. Reprinted with permission from PE Hobbyist Handbook, p. 12. (c) Copyright Gernsback Publications, Inc.

Chapter 62

Fig. 62-1. Reprinted with permission from Popular Electronics, 10/93, p. 31. (c) Copyright Gernsback Publications, Inc., 1993.

Chapter 63

Fig. 63-1. Reprinted with permission from Radio-Electronics, 7/90, p. 66. (c) Copyright Gernsback Publications, Inc., 1990.

Fig. 63-2. Reprinted with permission from Radio-Electronics, 2/92, p. 12. (c) Copyright Gernsback Publications, Inc., 1992.

Fig. 63-3. Reprinted with permission from Popular Electronics, 6/93, p. 73.

Fig. 63-4. Reprinted with permission from Apex Microtechnology Corporation.

Fig. 63-5. Reprinted with permission from Popular Electronics, 3/92, p. 72. (c) Copyright Gernsback Publications, Inc., 1992.

Fig. 63-6. Reprinted with permission from Popular Electronics, 6/93, p. 73. (c) Copyright Gernsback Publications, Inc., 1993.

Chapter 64

Fig. 64-1. William Sheets.

Chapter 65

Fig. 65-1. William Sheets.

Fig. 65-2. William Sheets.

Fig. 65-3. William Sheets.

Fig. 65-4. William Sheets.

Fig. 65-5. William Sheets.

Fig. 65-6. William Sheets.

Fig. 65-7. William Sheets.

Fig. 65-8. Reprinted with permission from Popular Electronics, Fact Card 259. (c) Copyright Gerns-

back Publications, Inc.

Fig. 65-9. Reprinted with permission from *Electronics Now*, 10/92, p. 69. (c) Copyright Gernsback Publications, Inc., 1992.

Fig. 65-10. Reprinted with permission from *Popular Electronics*, Fact Card 268. (c) Copyright Gernsback Publications, Inc.

Chapter 66

Fig. 66-1. Reprinted with permission from *Electronics Hobbyist Handbook*, 1993, p. 17.

Fig. 66-2. Reprinted with permission from *Electronics Now*, 6/93, p. 47. (c) Copyright Gernsback Publications, Inc., 1993.

Fig. 66-3. Reprinted with permission from *Elektor Electronics*, 3/92, p. 15.

Fig. 66-4. Reprinted with permission from *Electronics Now*, 11/92, p. 63. (c) Copyright Gernsback Publications, Inc., 1992.

Fig. 66-5. Reprinted with permission from *Elektor Electronics*, 3/92, p. 14.

Fig. 66-6. Reprinted with permission from *Radio-Electronics*, 7/90, p. 66. (c) Copyright Gernsback Publications, Inc., 1990.

Fig. 66-7. Reprinted with permission from *Radio-Electronics*, 3/92, p. 77. (c) Copyright Gernsback Publications, Inc., 1992.

Chapter 67

Fig. 67-1. Reprinted with permission from *303 Circuits*, p. 312.

Chapter 68

Fig. 68-1. Reprinted with permission from *Popular Electronics*, Fact Card 242. (c) Copyright Gernsback Publications, Inc.

Fig. 68-2. Reprinted with permission from *73 Amateur Radio Today*, 11/92, p. 12.

Fig. 68-3. Reprinted with permission from *73 Amateur Radio Today*, 11/92, p. 12.

Fig. 68-4. Reprinted with permission from *73 Amateur Radio Today*, 11/92, p. 12.

Chapter 69

Fig. 69-1. Reprinted with permission from *Electronic Design*, 1/93, p. 116.

Fig. 69-2. Reprinted with permission from *Electronic Design*, 4/93, p. 93.

Fig. 69-3. Reprinted with permission from *Popular Electronics*, Fact Card 253. (c) Copyright Gernsback Publications, Inc.

Fig. 69-4. Reprinted with permission from *Electronic Design*, 3/89, p. 100.

Fig. 69-5. William Sheets.

Fig. 69-6. Reprinted with permission from *Electronic Design*, 1/93, p. 63.

Fig. 69-7. Reprinted with permission from *Maxim Engineering Journal*, Volume 3, p. 17.

Fig. 69-8. Reprinted with permission from *Maxim Engineering Journal*, Volume 3, p. 28.

Chapter 70

Fig. 70-1. Reprinted with permission from *Popular Electronics*, 3/93, p. 45. (c) Copyright Gernsback Publications, Inc., 1993.

Fig. 70-2. Reprinted with permission from *Electronic Engineering*, 8/93, p. 18.

Fig. 70-3. Reprinted with permission from *Popular Electronics*, 10/92, pp. 55-56. (c) Copyright Gernsback Publications, Inc., 1992.

Fig. 70-4. Reprinted with permission from *Popular Electronics*, 10/92, p. 56. (c) Copyright Gernsback Publications, Inc., 1992.

Fig. 70-5. William Sheets.

Fig. 70-6. Reprinted with permission from *Popular Electronics*, 9/93, p. 76. (c) Copyright Gernsback Publications, Inc., 1993.

Fig. 70-7. Reprinted with permission from *Electronics Now*, 11/92, p. 14. (c) Copyright Gernsback Publications, Inc., 1992.

Fig. 70-8. William Sheets.

Chapter 71

Fig. 71-1. Reprinted with permission from *73 Amateur Radio Today*, 2/93, p. 48.

Fig. 71-2. Reprinted with permission from *Popular Electronics*, Fact Card 229. (c) Copyright Gernsback Publications, Inc.

Fig. 71-3. Reprinted with permission from *Popular Electronics*, Fact Card 230. (c) Copyright Gernsback Publications, Inc.

Fig. 71-4. Reprinted with permission from *QST*, 2/89, pp. 33-35.

Fig. 71-5. Reprinted with permission from *Popular Electronics*, 11/91, p. 21. (c) Copyright Gernsback Publications, Inc., 1991.

Fig. 71-6. Reprinted with permission from *Radio-Electronics*, 12/91, p. 12. (c) Copyright Gernsback Publications, Inc., 1991.

Fig. 71-7. William Sheets.

Fig. 71-8. William Sheets.

Fig. 71-9. William Sheets.

Fig. 71-10. William Sheets.

Fig. 71-11. Reprinted with permission from 303 Circuits, p. 323.

Fig. 71-12. Reprinted with permission from 73 Amateur Radio Today, 7/92, p. 59.

Fig. 71-13. Reprinted with permission from Popular Electronics, 2/92, pp. 29-31. (c) Copyright Gernsback Publications, Inc., 1992.

Fig. 71-14. Reprinted with permission from Popular Electronics, 12/93, p. 70. (c) Copyright Gernsback Publications, Inc., 1993.

Fig. 71-15. Reprinted with permission from Popular Electronics, 12/93, p. 71. (c) Copyright Gernsback Publications, Inc., 1993.

Fig. 71-16. William Sheets.

Fig. 71-17. Reprinted with permission from Popular Electronics, Fact Card 260. (c) Copyright Gernsback Publications, Inc.

Fig. 71-18. William Sheets.

Fig. 71-19. Reprinted with permission from Popular Electronics, 8/93, p. 79. (c) Copyright Gernsback Publications, Inc., 1993.

Fig. 71-20. Reprinted with permission from Popular Electronics, 12/93, p. 68. (c) Copyright Gernsback Publications, Inc., 1993.

Fig. 71-21. Reprinted with permission from Popular Electronics, 11/91, p. 21. (c) Copyright Gernsback Publications, Inc., 1991.

Fig. 71-22. Reprinted with permission from Popular Electronics, 12/93, p. 70. (c) Copyright Gernsback Publications, Inc., 1993.

Chapter 72

Fig. 72-1. Reprinted with permission from Radio-Electronics, 6/92, p. 60. (c) Copyright Gernsback Publications, Inc., 1992.

Fig. 72-2. Reprinted with permission from Popular Electronics, 12/91, p. 77. (c) Copyright Gernsback Publications, Inc., 1991.

Fig. 72-3. William Sheets.

Fig. 72-4. William Sheets.

Fig. 72-5. Reprinted with permission from Electronics Now, 7/92, p. 88. (c) Copyright Gernsback Publications, Inc., 1992.

Chapter 73

Fig. 73-1. Reprinted with permission from PE Hobbyist Handbook, 1992, p. 61. (c) Copyright Gernsback Publications, Inc., 1992.

Fig. 73-2. Reprinted with permission from PE Hobby-

ist Handbook, 1991, pp. 69-70. (c) Copyright Gernsback Publications, Inc., 1991.

Chapter 74

Fig. 74-1. William Sheets.

Fig. 74-2. William Sheets.

Fig. 74-3. Reprinted with permission from Electronic Design, 1/93, p. 62. (c) Copyright Gernsback Publications, Inc., 1993.

Chapter 75

Fig. 75-1. Reprinted with permission from PE Hobbyist Handbook, 1992, p. 41. (c) Copyright Gernsback Publications, Inc., 1992.

Fig. 75-2. Reprinted with permission from Popular Electronics, Fact Card 198. (c) Copyright Gernsback Publications, Inc.

Fig. 75-3. Reprinted with permission from Popular Electronics, 4/92, p. 31. (c) Copyright Gernsback Publications, Inc., 1992.

Fig. 75-4. Reprinted with permission from Electronics Now, 11/92, p. 32. (c) Copyright Gernsback Publications, Inc., 1992.

Fig. 75-5. Reprinted with permission from PE Hobbyist Handbook, 1991, p. 38. (c) Copyright Gernsback Publications, Inc., 1991.

Fig. 75-6. Reprinted with permission from PE Hobbyist Handbook, 1991, p. 73. (c) Copyright Gernsback Publications, Inc., 1991.

Fig. 75-7. Reprinted with permission from PE Hobbyist Handbook, 1991, p. 54. (c) Copyright Gernsback Publications, Inc., 1991.

Fig. 75-8. Reprinted with permission from Popular Electronics, Fact Card 198. (c) Copyright Gernsback Publications, Inc.

Chapter 76

Fig. 76-1. Reprinted with permission from Popular Electronics, 5/92, p. 60. (c) Copyright Gernsback Publications, Inc., 1992.

Fig. 76-2. Reprinted with permission from Popular Electronics, 5/92, p. 60. (c) Copyright Gernsback Publications, Inc., 1992.

Fig. 76-3. Reprinted with permission from Apex Microtechnology Corporation.

Fig. 76-4. Reprinted with permission from Apex Microtechnology Corporation.

Fig. 76-5. Reprinted with permission from Popular Electronics, 5/92, p. 60. (c) Copyright Gernsback Publications, Inc., 1992.

Chapter 77

- Fig. 77-1. Reprinted with permission from PE Hobbyist Handbook, 1990, p. 92. (c) Copyright Gernsback Publications, Inc., 1990.
- Fig. 77-2. Reprinted with permission from Popular Electronics, 6/93, p. 77. (c) Copyright Gernsback Publications, Inc., 1993.
- Fig. 77-3. Reprinted with permission from 73 Amateur Radio Today, 7/92, p. 62.
- Fig. 77-4. Reprinted with permission from Popular Electronics, 6/93, p. 77. (c) Copyright Gernsback Publications, Inc., 1993.
- Fig. 77-5. Reprinted with permission from 73 Amateur Radio Today, 7/92, p. 62.
- Fig. 77-6. Reprinted with permission from Elektor Electronics, 12/91, p. 94.
- Fig. 77-7. Reprinted with permission from Popular Electronics, 7/93, p. 76. (c) Copyright Gernsback Publications, Inc., 1993.
- Fig. 77-8. Reprinted with permission from Electronic Design, 6/93, p. 76.

Chapter 78

- Fig. 78-1. Reprinted with permission from Electronics Now, 10/93, p. 53. (c) Copyright Gernsback Publications, Inc., 1993.
- Fig. 78-2. Reprinted with permission from R-E Experimenters Handbook, p. 60.
- Fig. 78-3. Reprinted with permission from Electronic Design, 2/93, p. 71.
- Fig. 78-4. Reprinted with permission from Maxim Engineering Journal, Volume 3, p. 16.
- Fig. 78-5. Reprinted with permission from Linear Technology, Design Note 72.
- Fig. 78-6. Reprinted with permission from Popular Electronics, 6/93, p. 48. (c) Copyright Gernsback Publications, Inc., 1993.
- Fig. 78-7. Reprinted with permission from Popular Electronics, 3/92, p. 72. (c) Copyright Gernsback Publications, Inc., 1992.
- Fig. 78-8. Reprinted with permission from Popular Electronics, 6/93, p. 77. (c) Copyright Gernsback Publications, Inc., 1993.
- Fig. 78-9. Reprinted with permission from 303 Circuits, p. 283.
- Fig. 78-10. Reprinted with permission from Electronics Now, 12/92, p. 66. (c) Copyright Gernsback Publications, Inc., 1992.
- Fig. 78-11. Reprinted with permission from 73 Amateur Radio Today, 7/92, p. 60.

- Fig. 78-12. Reprinted with permission from Popular Electronics, 5/92, p. 73. (c) Copyright Gernsback Publications, Inc., 1992.
- Fig. 78-13. Reprinted with permission from PE Hobbyist Handbook, 1993, p. 93. (c) Copyright Gernsback Publications, Inc., 1993.
- Fig. 78-14. William Sheets.
- Fig. 78-15. Reprinted with permission from PE Hobbyist Handbook, 1991. (c) Copyright Gernsback Publications, Inc., 1991.
- Fig. 78-16. Reprinted with permission from PE Hobbyist Handbook, 1991, pp. 28-29. (c) Copyright Gernsback Publications, Inc., 1991.
- Fig. 78-17. Reprinted with permission from Popular Electronics, 11/93, p. 71. (c) Copyright Gernsback Publications, Inc., 1993.
- Fig. 78-18. Reprinted with permission from Silicon Chip, pp. 63-64.
- Fig. 78-19. Reprinted with permission from Maxim Engineering Journal, Volume 4, p. 19.
- Fig. 78-20. Reprinted with permission from National Semiconductor, Linear Edge, Issue #5.
- Fig. 78-21. Reprinted with permission from National Semiconductor, Linear Edge, Issue #5.
- Fig. 78-22. Reprinted with permission from 73 Amateur Radio Today, 3/92, p. 54.
- Fig. 78-23. Reprinted with permission from Popular Electronics, 1/92, p. 37. (c) Copyright Gernsback Publications, Inc., 1992.
- Fig. 78-24. Reprinted with permission from Popular Electronics, 11/93, p. 71. (c) Copyright Gernsback Publications, Inc., 1993.
- Fig. 78-25. Reprinted with permission from Silicon Chip, p. 10.
- Fig. 78-26. Reprinted with permission from Electronic Design, 2/93, p. 72.
- Fig. 78-27. Reprinted with permission from Electronic Design, 8/93, p. 84.
- Fig. 78-28. Reprinted with permission from Linear Technology, Design Note 68.
- Fig. 78-29. Reprinted with permission from Popular Electronics, Fact Card 260. (c) Copyright Gernsback Publications, Inc.
- Fig. 78-30. Reprinted with permission from Popular Electronics, 11/93, p. 54.
- Fig. 78-31. Reprinted with permission from Popular Electronics, 8/93, p. 88. (c) Copyright Gernsback Publications, Inc., 1993.
- Fig. 78-32. Reprinted with permission from Popular Electronics, 3/93, p. 74. (c) Copyright Gernsback Publications, Inc., 1993.

Fig. 78-33. Reprinted with permission from PE Hobbyist Handbook, 1993, p. 61. (c) Copyright Gernsback Publications, Inc., 1993.

Fig. 78-34. Reprinted with permission from Electronic Design, 2/93, pp. 75-76.

Fig. 78-35. Reprinted with permission from Electronics Now, 10/93, p. 54. (c) Copyright Gernsback Publications, Inc., 1993.

Fig. 78-36. Reprinted with permission from Electronic Design, 4/93, p. 54.

Fig. 78-37. Reprinted with permission from National Semiconductor, Linear Edge, Spring 1992.

Chapter 79

Fig. 79-1. Reprinted with permission from Popular Electronics, 9/92, p. 71. (c) Copyright Gernsback Publications, Inc., 1992.

Fig. 79-2. Reprinted with permission from Popular Electronics, 11/91, p. 22. (c) Copyright Gernsback Publications, Inc., 1991.

Chapter 80

Fig. 80-1. Reprinted with permission from Popular Electronics, 3/92, p. 42. (c) Copyright Gernsback Publications, Inc., 1992.

Fig. 80-2. Reprinted with permission from Radio-Electronics, 12/91, p. 63. (c) Copyright Gernsback Publications, Inc., 1991.

Fig. 80-3. Reprinted with permission from Popular Electronics, 9/93, p. 69. (c) Copyright Gernsback Publications, Inc., 1993.

Fig. 80-4. Reprinted with permission from Elektor Electronics, 12/91, p. 73.

Fig. 80-5. Reprinted with permission from Elektor Electronics, 12/91, p. 72.

Fig. 80-6. Reprinted with permission from Elektor Electronics, 12/91, p. 85.

Fig. 80-7. Reprinted with permission from Electronics Now, 12/92, p. 45. (c) Copyright Gernsback Publications, Inc., 1992.

Fig. 80-8. Reprinted with permission from Electronic Design, 7/93, p. 87.

Fig. 80-9. Reprinted with permission from Popular Electronics, 9/93, p. 71. (c) Copyright Gernsback Publications, Inc., 1993.

Fig. 80-10. Reprinted with permission from Electronics Now, 12/92, p. 46. (c) Copyright Gernsback Publications, Inc., 1992.

Fig. 80-11. Reprinted with permission from Popular Electronics, 10/93, p. 73. (c) Copyright Gernsback

Publications, Inc., 1993.

Fig. 80-12. Reprinted with permission from Silicon Chip, p. 64.

Fig. 80-13. Reprinted with permission from Popular Electronics, 9/93, p. 69. (c) Copyright Gernsback Publications, Inc., 1993.

Chapter 81

Fig. 81-1. Reprinted with permission from PE Hobbyist Handbook, 1991, pp. 85-86. (c) Copyright Gernsback Publications, Inc., 1991.

Fig. 81-2. Reprinted with permission from Popular Electronics, Fact Card 270. (c) Copyright Gernsback Publications, Inc.

Chapter 82

Fig. 82-1. William Sheets.

Fig. 82-2. William Sheets.

Fig. 82-3. Reprinted with permission from PE Hobbyists Handbook, 1990, p. 120. (c) Copyright Gernsback Publications, Inc., 1990.

Fig. 82-4. Reprinted with permission from Electronic Design 1/93, p. 61.

Fig. 82-5. William Sheets.

Fig. 82-6. William Sheets.

Fig. 82-7. William Sheets.

Chapter 83

Fig. 83-1. Reprinted with permission from 73 Amateur Radio Today, 10/91, p. 8.

Fig. 83-2. Reprinted with permission from Electronics Now, 10/92, p. 37. (c) Copyright Gernsback Publications, Inc., 1992.

Fig. 83-3. Reprinted with permission from Popular Electronics, 10/93, p. 74. (c) Copyright Gernsback Publications, Inc., 1993.

Fig. 83-4. Reprinted with permission from Popular Electronics, 8/93, p. 71. (c) Copyright Gernsback Publications, Inc., 1993.

Fig. 83-5. Reprinted with permission from Popular Electronics, 8/93, p. 70. (c) Copyright Gernsback Publications, Inc., 1993.

Fig. 83-6. Reprinted with permission from Integrated Circuits Data Book, 3/85, pp. 5-16.

Fig. 83-7. Reprinted with permission from Popular Electronics, 3/93, p. 79. (c) Copyright Gernsback Publications, Inc., 1993.

Fig. 83-8. Reprinted with permission from 73 Amateur Radio Today, 8/93, p. 32.

Fig. 83-9. Reprinted with permission from Popular

Electronics, 6/92, p. 55. (c) Copyright Gernsback Publications, Inc., 1992.

Fig. 83-10. Reprinted with permission from Popular Electronics, 8/93, p. 32. (c) Copyright Gernsback Publications, Inc., 1993.

Fig. 83-11. Reprinted with permission from QST, 2/89, p. 34.

Fig. 83-12. Reprinted with permission from Popular Electronics, 6/92, p. 57. (c) Copyright Gernsback Publications, Inc., 1992.

Chapter 84

Fig. 84-1. Reprinted with permission from Electronic Design, 8/92, p. 69.

Fig. 84-2. Reprinted with permission from Radio-Electronics, 5/92, p. 47. (c) Copyright Gernsback Publications, Inc., 1992.

Fig. 84-3. William Sheets.

Fig. 84-4. Reprinted with permission from Electronics Now, 3/93, p. 69. (c) Copyright Gernsback Publications, Inc., 1993.

Fig. 84-5. William Sheets.

Chapter 85

Fig. 85-1. Reprinted with permission from Electronics Now, 11/92, p. 53. (c) Copyright Gernsback Publications, Inc., 1992.

Fig. 85-2. Reprinted with permission from Electronics Now, 11/92, p. 54. (c) Copyright Gernsback Publications, Inc., 1992.

Fig. 85-3. Reprinted with permission from Popular Electronics, 8/93, p. 56. (c) Copyright Gernsback Publications, Inc., 1993.

Fig. 85-4. Reprinted with permission from R-E Experimenters Handbook, 1991, p. 30.

Fig. 85-5. Reprinted with permission from Popular Electronics, 3/93, p. 45. (c) Copyright Gernsback Publications, Inc., 1993.

Fig. 85-6. Reprinted with permission from Popular Electronics, 8/93, p. 53. (c) Copyright Gernsback Publications, Inc., 1993.

Fig. 85-7. Reprinted with permission from Popular Electronics, 3/93, p. 45. (c) Copyright Gernsback Publications, Inc., 1993.

Chapter 86

Fig. 86-1. Reprinted with permission from Popular Electronics, 6/93, p. 55. (c) Copyright Gernsback Publications, Inc., 1993.

Fig. 86-2. Reprinted with permission from Popular

Electronics, 6/93, p. 56. (c) Copyright Gernsback Publications, Inc., 1993.

Fig. 86-3. Reprinted with permission from Popular Electronics, Fact Card 225. (c) Copyright Gernsback Publications, Inc.

Fig. 86-4. William Sheets.

Fig. 86-5. Reprinted with permission from R-E Experimenters Handbook, 1989, p. 156.

Fig. 86-6. Reprinted with permission from Practical Wireless, 6/91, p. 34.

Fig. 86-7. Reprinted with permission from R-E Experimenters Handbook, p. 33.

Fig. 86-8. Reprinted with permission from Electronic Design, 6/93, p. 83.

Fig. 86-9. Reprinted with permission from 73 Amateur Radio Today, 5/90, p. 78.

Fig. 86-10. Reprinted with permission from 73 Amateur Radio Today, 5/90, p. 78.

Fig. 86-11. Reprinted with permission from Popular Electronics, Fact Card 241. (c) Copyright Gernsback Publications, Inc.

Fig. 86-12. Reprinted with permission from 73 Amateur Radio Today, 11/91, pp. 52-56. (c) Copyright Gernsback Publications, Inc., 1991.

Fig. 86-13. Reprinted with permission from 73 Amateur Radio Today, 10/92, p. 20.

Fig. 86-14. Reprinted with permission from Popular Electronics, 11/93, p. 81. (c) Copyright Gernsback Publications, Inc., 1993.

Fig. 86-15. Reprinted with permission from 73 Amateur Radio, 5/90, p. 78.

Fig. 86-16. Reprinted with permission from Popular Electronics, 8/93, p. 72. (c) Copyright Gernsback Publications, Inc., 1993.

Fig. 86-17. Reprinted with permission from Popular Electronics, Fact Card 262. (c) Copyright Gernsback Publications, Inc.

Fig. 86-18. Reprinted with permission from 73 Amateur Radio, 5/90, p. 77.

Fig. 86-19. Reprinted with permission from Popular Electronics, 8/93, p. 72. (c) Copyright Gernsback Publications, Inc., 1993.

Fig. 86-20. Reprinted with permission from Popular Electronics, 3/93, p. 47. (c) Copyright Gernsback Publications, Inc., 1993.

Fig. 86-21. Reprinted with permission from Popular Electronics, 9/93, p. 83. (c) Copyright Gernsback Publications, Inc., 1993.

Fig. 86-22. Reprinted with permission from 73 Amateur Radio Today, 2/93, p. 60.

Fig. 86-23. William Sheets.

Fig. 86-24. Reprinted with permission from 73 Amateur Radio Today, 5/90, p. 31.

Fig. 86-25. Reprinted with permission from Popular Electronics, 6/93, p. 54. (c) Copyright Gernsback Publications, Inc., 1993.

Fig. 86-26. William Sheets.

Chapter 87

Fig. 87-1. Reprinted with permission from QST, 6/91, p. 18.

Fig. 87-2. Reprinted with permission from 73 Amateur Radio Today, 7/92, p. 30.

Fig. 87-3. Reprinted with permission from Popular Electronics, 6/92, p. 56. (c) Copyright Gernsback Publications, Inc., 1992.

Fig. 87-4. Reprinted with permission from 73 Amateur Radio Today, 3/92, p. 16.

Fig. 87-5. Reprinted with permission from Popular Electronics, 7/93, p. 80. (c) Copyright Gernsback Publications, Inc., 1993.

Chapter 88

Fig. 88-1. Reprinted with permission from Popular Electronics, 11/93, p. 73. (c) Copyright Gernsback Publications, Inc., 1993.

Fig. 88-2. Reprinted with permission from Maxim Journal, Vol. 3., p. 22.

Chapter 89

Fig. 89-1. Reprinted with permission from PE Hobbyist Handbook, 1990, p. 21. (c) Copyright Gernsback Publications, Inc., 1990.

Chapter 90

Fig. 90-1. Reprinted with permission from Popular Electronics, 5/92, p. 74. (c) Copyright Gernsback Publications, Inc., 1992.

Fig. 90-2. Reprinted with permission from Popular Electronics, 5/92, p. 74. (c) Copyright Gernsback Publications, Inc., 1992.

Chapter 91

Fig. 91-1. Reprinted with permission from Electronic Design, 11/92, p. 62.

Fig. 91-2. Reprinted with permission from Popular Electronics, 12/93, p. 71. (c) Copyright Gernsback Publications, Inc., 1993.

Fig. 91-3. Reprinted with permission from Popular Electronics, Fact Card 256. (c) Copyright Gerns-

back Publications, Inc.

Fig. 91-4. Reprinted with permission from Electronics Now, 6/93, p. 14. (c) Copyright Gernsback Publications, Inc., 1993.

Fig. 91-5. Reprinted with permission from Popular Electronics, Fact Card 256. (c) Copyright Gernsback Publications, Inc.

Fig. 91-6. Reprinted with permission from R-E Experimenters Handbook, 1989, p. 160.

Fig. 91-7. Reprinted with permission from Electronic Design, 10/93, p. 74.

Fig. 91-8. Reprinted with permission from Popular Electronics, 11/91, p. 22. (c) Copyright Gernsback Publications, Inc., 1991.

Fig. 91-9. Reprinted with permission from Maxim Engineering Journal, Vol. 4, p. 15.

Chapter 92

Fig. 92-1. Reprinted with permission from R-E Experimenters Handbook, 1992, p. 98.

Fig. 92-2. Reprinted with permission from Electronic Design, 6/93, p. 82.

Fig. 92-3. Reprinted with permission from Popular Electronics, 10/92, p. 58. (c) Copyright Gernsback Publications, Inc., 1992.

Fig. 92-4. Reprinted with permission from Popular Electronics, Fact Card 201. (c) Copyright Gernsback Publications, Inc.

Fig. 92-5. Reprinted with permission from 73 Amateur Radio Today, 11/91, p. 11.

Fig. 92-6. Reprinted with permission from Popular Electronics, 6/93, p. 59. (c) Copyright Gernsback Publications, Inc., 1993.

Fig. 92-7. Reprinted with permission from Radio-Electronics, 1/92, p. 12.

Fig. 92-8. Reprinted with permission from Popular Electronics, Fact Card 255. (c) Copyright Gernsback Publications, Inc.

Fig. 92-9. Reprinted with permission from Popular Electronics, 6/93, p. 72. (c) Copyright Gernsback Publications, Inc., 1993.

Fig. 92-10. Reprinted with permission from Electronics Now, 12/93, p. 39. (c) Copyright Gernsback Publications, Inc., 1993.

Fig. 92-11. Reprinted with permission from 303 Circuits.

Chapter 93

Fig. 93-1. Reprinted with permission from Popular Electronics, 1/92, p. 43. (c) Copyright Gernsback

- Publications, Inc., 1992.
- Fig. 93-2. Reprinted with permission from Electronic Design, 8/93, p. 81.
- Fig. 93-3. William Sheets.
- Fig. 93-4. William Sheets.
- Fig. 93-5. Reprinted with permission from Popular Electronics, 12/91, p. 81. (c) Copyright Gernsback Publications, Inc., 1991.
- Fig. 93-6. William Sheets.
- Fig. 93-7. William Sheets.
- Fig. 93-8. Reprinted with permission from PE Hobbyist, 1991, p. 77. (c) Copyright Gernsback Publications, Inc., 1991.
- Fig. 93-9. William Sheets.
- Fig. 93-10. William Sheets.
- Fig. 93-11. Reprinted with permission from Popular Electronics, 2/92, p. 67. (c) Copyright Gernsback Publications, Inc., 1992.
- Fig. 93-12. Reprinted with permission from Popular Electronics, 2/92, p. 66. (c) Copyright Gernsback Publications, Inc., 1992.
- Fig. 93-13. Reprinted with permission from R-E Experimenters Handbook, 1989, p. 155.
- Fig. 93-14. Reprinted with permission from National Semiconductor, Linear Applications Handbook.
- Fig. 93-15. Reprinted with permission from R-E Experimenters Handbook, 1989, p. 161.
- Fig. 93-16. Reprinted with permission from 303 Circuits, p. 257 (#221).

Chapter 94

- Fig. 94-1. Reprinted with permission from Popular Electronics, Fact Card 223. (c) Copyright Gernsback Publications, Inc.
- Fig. 94-2. William Sheets.
- Fig. 94-3. Reprinted with permission from Popular Electronics, Fact Card 221. (c) Copyright Gernsback Publications, Inc.
- Fig. 94-4. Reprinted with permission from Popular Electronics, Fact Card 243. (c) Copyright Gernsback Publications, Inc.
- Fig. 94-5. William Sheets.
- Fig. 94-6. William Sheets.
- Fig. 94-7. Reprinted with permission from Popular Electronics, Fact Card 263. (c) Copyright Gernsback Publications, Inc.

Chapter 95

- Fig. 95-1. Reprinted with permission from Popular Electronics, 3/93, p. 71. (c) Copyright Gernsback

Publications, Inc., 1993.

- Fig. 95-2. Reprinted with permission from Popular Electronics, 3/93, p. 72. (c) Copyright Gernsback Publications, Inc., 1993.
- Fig. 95-3. Reprinted with permission from Popular Electronics, 3/93, p. 72. (c) Copyright Gernsback Publications, Inc., 1993.

Chapter 96

- Fig. 96-1. Reprinted with permission from Radio-Electronics, 6/92, p. 71. (c) Copyright Gernsback Publications, Inc., 1992.
- Fig. 96-2. Reprinted with permission from R-E Experimenters Handbook, 1989, pp. 12-15.
- Fig. 96-3. Reprinted with permission from Electronics Now, 7/92, p. 33. (c) Copyright Gernsback Publications, Inc., 1992.
- Fig. 96-4. Reprinted with permission from Popular Electronics, Fact Card 261. (c) Copyright Gernsback Publications, Inc.
- Fig. 96-5. Reprinted with permission from 303 Circuits, p. 49.
- Fig. 96-6. Reprinted with permission from Electronics Now, 3/93, p. 71. (c) Copyright Gernsback Publications, Inc., 1993.
- Fig. 96-7. Reprinted with permission from 303 Circuits, p. 41.
- Fig. 96-8. Reprinted with permission from Popular Electronics, Fact Card 261. (c) Copyright Gernsback Publications, Inc.
- Fig. 96-9. Reprinted with permission from Popular Electronics, Fact Card 241. (c) Copyright Gernsback Publications, Inc.
- Fig. 96-10. Reprinted with permission from Popular Electronics, Fact Card 262. (c) Copyright Gernsback Publications, Inc.

Chapter 97

- Fig. 97-1. Reprinted with permission from Radio-Electronics, 12/90, pp. 72-73.
- Fig. 97-2. Reprinted with permission from Popular Electronics, 6/93, p. 71. (c) Copyright Gernsback Publications, Inc., 1993.
- Fig. 97-3. Reprinted with permission from National Semiconductor, Linear Edge, Summer 1992.
- Fig. 97-4. Reprinted with permission from Popular Electronics, 12/92, p. 32. (c) Copyright Gernsback Publications, Inc., 1992.
- Fig. 97-5. Reprinted with permission from Popular Electronics, 9/93, p. 70. (c) Copyright Gernsback

- Publications, Inc., 1993.
- Fig. 97-6. Reprinted with permission from Popular Electronics, 6/93, p. 72. (c) Copyright Gernsback Publications, Inc., 1993.
- Fig. 97-7. Reprinted with permission from Popular Electronics, 6/93, p. 71. (c) Copyright Gernsback Publications, Inc., 1993.
- Fig. 97-8. Reprinted with permission from Maxim Engineering Journal, Vol. 4, p. 10.
- Fig. 97-9. Reprinted with permission from Electronics Now, 6/93, p. 14. (c) Copyright Gernsback Publications, Inc.
- Fig. 97-10. Reprinted with permission from Popular Electronics, 6/91, p. 71. (c) Copyright Gernsback Publications, Inc., 1991.
- Fig. 97-11. Reprinted with permission from Popular Electronics, 6/93, p. 71. (c) Copyright Gernsback Publications, Inc., 1993.
- Fig. 97-12. Reprinted with permission from Popular Electronics, 9/92, p. 70. (c) Copyright Gernsback Publications, Inc., 1992.
- Fig. 97-13. Reprinted with permission from Popular Electronics, 6/93, p. 72. (c) Copyright Gernsback Publications, Inc., 1993.

Chapter 98

- Fig. 98-1. Reprinted with permission from Radio-Electronics, 6/90, p. 71.
- Fig. 98-2. Reprinted with permission from Radio-Electronics, 6/90, p. 71.

Chapter 99

- Fig. 99-1. Reprinted with permission from Popular Electronics, 7/92, pp. 60-61. (c) Copyright Gernsback Publications, Inc., 1992.
- Fig. 99-2. William Sheets.

Chapter 100

- Fig. 100-1. Reprinted with permission from Radio-Electronics, 7/90, p. 8.
- Fig. 100-2. Reprinted with permission from Radio-Electronics, 10/89, p. 8.
- Fig. 100-3. Reprinted with permission from Radio-Electronics, 11/91, p. 59.
- Fig. 100-4. Reprinted with permission from Popular Electronics, 4/92, p. 38. (c) Copyright Gernsback Publications, Inc., 1992.
- Fig. 100-5. Reprinted with permission from Popular Electronics, p. 75. (c) Copyright Gernsback Publications, Inc.

- Fig. 100-6. Reprinted with permission from Popular Electronics, 9/92, pp. 38-40. (c) Copyright Gernsback Publications, Inc., 1992.
- Fig. 100-7. Reprinted with permission from 303 Circuits, 226, p. 263.
- Fig. 100-8. Reprinted with permission from Popular Electronics, 8/92, p. 76. (c) Copyright Gernsback Publications, Inc., 1992.
- Fig. 100-9. Reprinted with permission from Popular Electronics, 9/92, p. 74. (c) Copyright Gernsback Publications, Inc., 1992.
- Fig. 100-10. Reprinted with permission from Popular Electronics, 12/91, p. 53. (c) Copyright Gernsback Publications, Inc., 1991.
- Fig. 100-11. Reprinted with permission from Radio-Electronics, 1/93, p. 43. (c) Copyright Gernsback Publications, Inc., 1993.
- Fig. 100-12. Reprinted with permission from Electronics Hobbyist Handbook, 1993, p. 26.
- Fig. 100-13. Reprinted with permission from Popular Electronics, 9/93, p. 33. (c) Copyright Gernsback Publications, Inc., 1993.
- Fig. 100-14. Reprinted with permission from Popular Electronics, 11/93, p. 38. (c) Copyright Gernsback Publications, Inc., 1993.
- Fig. 100-15. Reprinted with permission from Electronic Design, 8/93, p. 86.
- Fig. 100-16. Reprinted with permission from Electronics Now, 5/93, p. 47. (c) Copyright Gernsback Publications, Inc., 1993.
- Fig. 100-17. Reprinted with permission from Silicon Chip, p. 62.
- Fig. 100-18. Reprinted with permission from Popular Electronics, 12/93, p. 62. (c) Copyright Gernsback Publications, Inc., 1993.
- Fig. 100-19. Reprinted with permission from Radio-Electronics, 3/92, p. 74. (c) Copyright Gernsback Publications, Inc., 1992.
- Fig. 100-20. Reprinted with permission from Radio-Electronics, 2/92, p. 81. (c) Copyright Gernsback Publications, Inc., 1992.
- Fig. 100-21. Reprinted with permission from Popular Electronics, 2/92, p. 70. (c) Copyright Gernsback Publications, Inc., 1992.
- Fig. 100-22. Reprinted with permission from Electronics Now, 11/92, p. 45. (c) Copyright Gernsback Publications, Inc., 1992.
- Fig. 100-23. Reprinted with permission from Popular Electronics, 7/92, p. 74. (c) Copyright Gernsback Publications, Inc., 1992.

Fig. 100-24. Reprinted with permission from Popular Electronics, 11/92, p. 72. (c) Copyright Gernsback Publications, Inc., 1992.

Chapter 101

- Fig. 101-1. Reprinted with permission from Electronic Design, 5/92, p. 94.
- Fig. 101-2. Reprinted with permission from 303 Circuits, #229, pp. 264-265.
- Fig. 101-3. Reprinted with permission from Electronic Design, 11/92, p. 62. (c) Copyright Gernsback Publications, Inc., 1992.
- Fig. 101-4. Reprinted with permission from Intersil, Component Data Catalog, 1987, pp. 6-10.
- Fig. 101-5. Reprinted with permission from Radio-Electronics, 3/90, p. 50. (c) Copyright Gernsback Publications, Inc., 1990.
- Fig. 101-6. Reprinted with permission from 303 Circuits, #228, p. 364.
- Fig. 101-6. Reprinted with permission from Radio-Electronics, 3/92, p. 50. (c) Copyright Gernsback Publications, Inc., 1992.
- Fig. 101-7. Reprinted with permission from Radio-Electronics, 6/92, p. 54. (c) Copyright Gernsback Publications, Inc., 1992.
- Fig. 101-8. Reprinted with permission from Radio-Electronics.

Chapter 102

- Fig. 102-1. Reprinted with permission from Electronics Now, 10/92, p. 43. (c) Copyright Gernsback Publications, Inc., 1992.
- Fig. 102-2. Reprinted with permission from Popular Electronics, 5/92, p. 75. (c) Copyright Gernsback Publications, Inc., 1992.
- Fig. 102-3. William Sheets.
- Fig. 102-4. William Sheets.
- Fig. 102-5. William Sheets.
- Fig. 102-6. William Sheets.
- Fig. 102-7. William Sheets.
- Fig. 102-8. Reprinted with permission from PE Hobbyist Handbook, 1991, p. 57. (c) Copyright Gernsback Publications, Inc., 1991.
- Fig. 102-9. Reprinted with permission from Popular Electronics, 12/92, p. 68. (c) Copyright Gernsback Publications, Inc., 1992.

Chapter 103

- Fig. 103-1. Reprinted with permission from Practical Wireless, 2/91, p. 49.

Fig. 103-2. Reprinted with permission from 73 Amateur Radio, 7/88, p. 14.

Chapter 104

- Fig. 104-1. Reprinted with permission from Electronics Hobbyist Handbook, 1993, p. 101.
- Fig. 104-2. Reprinted with permission from Electronics Hobbyist Handbook, 1993, p. 101.
- Fig. 104-3. Reprinted with permission from Electronics Hobbyist Handbook, 1993, p. 100.

Chapter 105

- Fig. 105-1. Reprinted with permission from Popular Electronics, 8/92, p. 74. (c) Copyright Gernsback Publications, Inc., 1992.
- Fig. 105-2. Reprinted with permission from Popular Electronics, Fact Card 266. (c) Copyright Gernsback Publications, Inc.
- Fig. 105-3. Reprinted with permission from Popular Electronics, 8/92, p. 74. (c) Copyright Gernsback Publications, Inc., 1992.
- Fig. 105-4. Reprinted with permission from Popular Electronics, 12/93, p. 71. (c) Copyright Gernsback Publications, Inc., 1993.
- Fig. 105-5. Reprinted with permission from Popular Electronics, 7/92, p. 70. (c) Copyright Gernsback Publications, Inc., 1992.
- Fig. 105-6. Reprinted with permission from Hands-On Electronics, 9/87, p. 88.

Chapter 106

- Fig. 106-1. Reprinted with permission from Electronics Now, 10/92, p. 36. (c) Copyright Gernsback Publications, Inc., 1992.
- Fig. 106-2. Reprinted with permission from 73 Amateur Radio Today, 10/91, pp. 14-22.
- Fig. 106-3. William Sheets.
- Fig. 106-4. Reprinted with permission from Popular Electronics, 8/92, p. 46. (c) Copyright Gernsback Publications, Inc., 1992.
- Fig. 106-5. Reprinted with permission from Radio-Electronics, 11/91, p. 85. (c) Copyright Gernsback Publications, Inc., 1991.
- Fig. 106-6. Reprinted with permission from 73 Amateur Radio Today, 11/92, p. 8.
- Fig. 106-7. Reprinted with permission from Electronics Hobbyist Handbook, 1993, p. 24.
- Fig. 106-8. Reprinted with permission from Electronics Hobbyist Handbook, 1993, p. 52.

- Fig. 106-9. Reprinted with permission from QST, 10/89, p. 25.
- Fig. 106-10. Reprinted with permission from 73 Amateur Radio Today, 4/92, p. 36.
- Fig. 106-11. Reprinted with permission from 73 Amateur Radio Today, 7/92, p. 20.
- Fig. 106-12. Reprinted with permission from 73 Amateur Radio Today, 4/92, p. 25.
- Fig. 106-13. Reprinted with permission from R-E Experimenters Handbook, 1989, p. 158.
- Fig. 106-14. Reprinted with permission from 73 Amateur Radio Today, 4/93, p. 53.

Chapter 107

- Fig. 107-1. Reprinted with permission from Radio-Electronics, 11/91, pp. 49-57. (c) Copyright Gernsback Publications, Inc., 1991.
- Fig. 107-2. Reprinted with permission from Radio-Electronics, 11/91, p. 49. (c) Copyright Gernsback Publications, Inc., 1991.
- Fig. 107-3. Reprinted with permission from Electronics Now, 3/93, p. 33. (c) Copyright Gernsback Publications, Inc., 1993.

Chapter 108

- Fig. 108-1. Reprinted with permission from Radio-Electronics, 6/92, p. 61. (c) Copyright Gernsback Publications, Inc., 1992.
- Fig. 108-2. Reprinted with permission from Radio-Electronics, 6/92, p. 59. (c) Copyright Gernsback Publications, Inc., 1992.
- Fig. 108-3. Reprinted with permission from 303 Circuits, p. 307.
- Fig. 108-4. Reprinted with permission from Spec-Com, 5/91, p. 15.
- Fig. 108-5. Reprinted with permission from Linear Technology Design Note #57.
- Fig. 108-6. Reprinted with permission from Linear Technology Design Note #57.
- Fig. 108-7. Reprinted with permission from Linear Technology Design Note #57.
- Fig. 108-8. Reprinted with permission from Linear Technology Design Note #57.
- Fig. 108-9. Reprinted with permission from Linear Technology Application Note #57.
- Fig. 108-10. Reprinted with permission from Linear Technology Application Note #57.

- Fig. 108-11. Reprinted with permission from Radio-Electronics, 4/92, p. 64. (c) Copyright Gernsback Publications, Inc., 1992.
- Fig. 108-12. Reprinted with permission from 303 Circuits, #303, p. 332.
- Fig. 108-13. Reprinted with permission from Radio-Electronics, 6/92, p. 59. (c) Copyright Gernsback Publications, Inc., 1992.
- Fig. 108-14. Reprinted with permission from Electronics Now, 8/93, p. 39. (c) Copyright Gernsback Publications, Inc., 1993.
- Fig. 108-15. Reprinted with permission from 303 Circuits, #300, p. 331.
- Fig. 108-16. Reprinted with permission from Popular Electronics, Fact Card 268. (c) Copyright Gernsback Publications, Inc.

Chapter 109

- Fig. 109-1. Reprinted with permission from Electronic Engineering, 9/89, p. 28.
- Fig. 109-2. William Sheets.
- Fig. 109-3. Reprinted with permission from Popular Electronics, Fact Card 269. (c) Copyright Gernsback Publications, Inc.
- Fig. 109-4. Reprinted with permission from Popular Electronics, Fact Card #241. (c) Copyright Gernsback Publications, Inc.
- Fig. 109-5. Reprinted with permission from Popular Electronics, Fact Card 224. (c) Copyright Gernsback Publications, Inc.
- Fig. 109-6. William Sheets.

Chapter 110

- Fig. 110-1. Reprinted with permission from 303 Circuits, p. 280.
- Fig. 110-2. William Sheets.

Chapter 111

- Fig. 111-1. William Sheets.
- Fig. 111-2. William Sheets.
- Fig. 111-3. William Sheets.

Chapter 112

- Fig. 112-1. William Sheets.
- Fig. 112-2. Reprinted with permission from Popular Electronics, Fact Card 259. (c) Copyright Gernsback Publications, Inc.

Index

Numbers preceded by a "I," "II," "III," "IV," or "V" are from *Encyclopedia of Electronic Circuits* Vol. I, II, III, IV, or V respectively.

A

- absolute-value circuits, I-37, IV-274
 - amplifier, I-31
 - full wave rectifier, II-528
 - Norton amplifier, III-11
 - precision, I-37, IV-274
 - ac motors (*see also* motor control circuits)
 - control for, II-375
 - power brake, II-451
 - three-phase driver for, II-383
 - two-phase driver for, I-456, II-382
 - ac/dc indicator, IV-214
 - ac-to-dc converters, I-165
 - fixed power supplies, IV-395
 - full-wave, IV-120
 - high-impedance precision rectifier, I-164
 - acid rain monitor, II-245, III-361, V-371
 - acoustic field generator, V-338-341
 - acoustic sound receiver/transmitter, IV-311
 - active antennas (*see* antennas, active)
 - active filters (*see also* filter circuits)
 - band reject, II-401
 - bandpass, III-190, II-221, II-223
 - variable bandwidth, I-286
 - digitally tuned low-power, II-218
 - five pole, I-279
 - fourth-order low-pass, V-184
 - high-pass, V-180, V-188
 - fourth-order, V-188
 - second-order, I-297
 - low-pass, V-178, V-181, V-188
 - digitally selected break frequency, II-216
 - unity-gain, V-187
 - low-power
 - digitally selectable center frequency, III-186
 - digitally tuned, I-279
 - programmable, III-185
 - RC, up to 150 kHz, I-294
 - speech-range filter, V-185
 - state-variable, III-189
 - ten-band graphic equalizer using, II-684
 - three-amplifier, I-289
 - tunable, I-289
 - universal, II-214
- adapters (*see also* conversion and converters)
 - dc transceiver, hand-held, III-461
 - line-voltage-to-multimeter adapter, V-312
 - program, second-audio, III-142
 - traveller's shaver, I-495
- adder circuits, III-327
- binary, fast-action, IV-260-261
- AGC (*see* automatic gain control (AGC))
- air conditioner, auto, smart clutch for, III-46
- air motion and pressure
 - flow-detector, I-235, II-240-242, III-202-203, IV-82, V-154
 - flow-meters (anemometers)
 - hot-wire, III-342
 - thermally based, II-241
 - pressure change detector, IV-144
 - motion detector, I-222, III-364
- airplane propeller sound effect, II-592
- alarms (*see also* annunciators; sirens), I-4, III-3-9, IV-84-89, V-1-16
 - 555-based alarm, V-11
 - alarm-tone generator, V-563
 - audio-sensor alarm, V-8
 - auto burglar, I-3, I-7, I-10, II-2, III-4, IV-53
 - automatic-arming, IV-50
 - automatic turn-off, 8 minute delay, IV-52
 - CMOS low-current, IV-56
 - horn as loudspeaker, IV-54
 - motion-actuated car/motorcycle, I-9
 - security system, I-5, IV-49-56
 - single-IC, III-7, IV-55
- auto-arming automotive alarm, IV-50
- automatic turn-off, IV-54
 - 8 minute delay, IV-52
- baby-alert transmitter/receiver, V-95-96
- bells, electronic, II-33, I-636
- blown fuse, I-10
- boat, I-9
- burglar alarms, III-8, III-9, IV-86
- burglar chaser, V-16
- latching circuit, I-8, I-12
- NC and NO switches, IV-87
- NC switches, IV-87
- one-chip, III-5
- self-latching, IV-85
- timed shutoff, IV-85
- camera triggered, III-444

- alarms (*cont.*)
- capacitive sensor, III-515
 - current monitor and, III-338
 - dark-activated alarm, pulsed tone output, V-13
 - delayed alarm, V-4
 - differential voltage or current, II-3
 - digital clock circuit with, III-84
 - door-ajar, II-284, III-46
 - Hall-effect circuit, III-256
 - door ringer, V-5
 - doorbells (*see* annunciators)
 - driver, high-power alarm driver, V-2
 - exit delay for burglar alarms, V-10
 - fail-safe, semiconductor, III-6
 - field disturbance, II-507
 - flasher signal, V-197
 - flex switch alarm sounder, V-15
 - flood, I-390, III-206, IV-188, V-374
 - freezer meltdown, I-13
 - headlights-on, III-52, V-77
 - heat-activated alarm, V-9
 - high/low-limit, I-151
 - home security system, I-6, IV-87
 - ice formation, II-58
 - infrared wireless system, IV-222-223
 - light-activated, V-9, V-273
 - high-output, pulsed tone, V-14
 - precision design, V-12
 - precision with hysteresis, V-14
 - self-latch, tone output, V-15
 - with latch, V-12
 - light-beam intruder-detection alarm, V-11, V-13
 - loop circuit alarms
 - closed-loop, V-3
 - multi-loop parallel alarm, V-2
 - parallel, V-3
 - series/parallel, V-3
 - low-battery disconnect and, III-65
 - low-battery warning, III-59
 - low-volts, II-493
 - multiple circuit for, II-2
 - no-doze alarm, V-8
 - one-chip, III-5
 - photoelectric, II-4, II-319
 - piezoelectric, I-12, V-10
 - power failure, I-581, I-582, III-511
 - printer error, IV-106
 - proximity, II-506, III-517, V-485-486
 - pulsed-tone, I-11, V-559
 - purse-snatcher, capacitance operated, I-134
 - rain, I-442, I-443, IV-189
 - road ice, II-57
 - security, I-4, III-3-9
 - self-arming, I-2
 - shutoff, automatic, I-4
 - signal-reception, receivers, III-270
 - silent alarm, V-16
 - siren, V-559
 - smoke alarms, II-278, III-246-253
 - gas, I-332
 - ionization chamber, I-332-333
 - line-operated, IV-140
 - operated ionization type, I-596
 - photoelectric, line-operated, I-596
 - SCR, III-251
 - solar powered, I-13
 - sonic defenders, IV-324
 - spaceship alarm, V-560
 - speed, I-95
 - Star Trek red alert, II-577
 - strobe flasher alarm, IV-180, V-6-7
 - tamperproof burglar, I-8
 - temperature (*see also* temperature-related circuits), II-4, II-643
 - adjustable threshold, II-644
 - light, radiation sensitive, II-4
 - timer, II-674
 - trouble tone alert, II-3
 - varying-frequency warning, II-579
 - wailing, II-572
 - warbling, II-573, V-7
 - watchdog timer/alarm, IV-584
 - water leakage/level (*see also* fluid and moisture), I-389, IV-190, V-374
 - allophone generator, III-733
 - alternators
 - battery-alternator monitor, car, III-63
 - regulator for automobile alternator, V-76
 - altimeter, digital readout, V-296
 - AM radio-related circuits, I-544
 - amplitude modulator, II-370
 - broadcast band signal generator, IV-302
 - car radio to shortwave converter, IV-500
 - demodulator, II-160
 - envelope detector, IV-142
 - microphone, wireless AM
 - microphone, I-679
 - modulation monitor, IV-299
 - power amplifier for, I-77
 - receivers, II-525, III-81, III-529, III-535, IV-455, V-496
 - 1.5 V broadcast, V0497
 - mixer/oscillator for AM receiver, V-412
 - transistor radio, V-502
 - carrier-current, III-81
 - integrated, III-535
 - signal generators, IV-301, IV-302
 - AM/FM-related circuits
 - clock radio, II-543, III-1
 - squelch circuit, II-547, III-1
 - amateur radio related circuits
 - linear amp, 2-30 MHz 140-W, III-260
 - receiver for, III-534
 - rf variable-frequency oscillator (VFO), V-532
 - transceiver relay interface, V-243
 - transmitter, 80-M, III-675
 - voice identifier, V-550
 - ambience amplifier, rear speaker, II-458
 - ambient light effects, cancellization circuit, II-328
 - ambient light-ignoring optical sensor, III-413
 - ammeter, I-201
 - low-current, V-307
 - nano, I-202
 - pico, II-154, II-157, I-202
 - guarded input circuit, II-156
 - six-decade range, II-153, II-156
 - amplifiers (*see also* audio amplifiers), II-5-22, III-10-21, V-17-26
 - 1 watt/2.3 GHz, II-540
 - 2 to 6-W, with preamp, II-451
 - 2 to 30 MHz, 140W amateur radio linear, I-555
 - 4W bridge, I-79
 - 5W output, two-meter, I-567
 - 6W 8-ohm output-transformerless, I-75
 - 10 dB-gain, III-543
 - 10 W power, I-76
 - 10 x buffer, I-128
 - 12-W low-distortion power, I-76
 - 16-W bridge, I-82
 - 25-watt, II-452
 - 30 MHz, I-567
 - 40 dB gain, IV-36
 - 60 MHz, I-567
 - 80 MHz cascade, I-567
 - 80W PEP broadband/linear, I-557
 - 100 MHz/400MHz neutralized common source, I-565
 - 100W PEP 420-450 MHz push-pull, I-564
 - 100x buffer, I-128
 - 135 to 175 MHz, I-564
 - 160W PEP broadband, I-556
 - 200 MHz neutralized common source, I-568
 - 450-MHz common-source, I-568
 - 600-W rf power, I-559
 - absolute-value, I-31
 - ac amplifier, noninverting, V-18, V-19
 - ac servo, bridge type, III-387
 - ac-coupled, dynamic, III-17
 - acoustic field generator, V-338-341
 - AF drive indicator, V-346
 - AGC, II-17
 - squelch control, III-33
 - wide-band, III-15
 - adjustable-gain noninverting, I-91
 - amateur radio, linear, 2 to 30 MHz, 140W, I-555
 - ambience, rear speaker, II-458
 - AM radio power, I-77
 - attenuator and, digitally controlled, I-53
 - audio (*see* audio amplifiers)

- audio converter, two- to four-wire, II-14
- audio limiter, low-distortion, II-15
- audio power amps (*see* audio and sound circuits, power amps)
- audio signal amps (*see* audio and sound circuits, signal amps)
- audio-to-UHF preamp, V-24
- automatic fade circuit for, II-42
- automatic level control, II-20
- automotive audio amplifier, IV-66
- Av/200, stereo, I-77
- balance, II-46
 - inverting, I-33
 - loudness control, II-47, II-395
- bootstrap circuit, V-356
- bridge, I-74
 - 4 watt, I-79
 - 16 watt, I-82
 - ac servo, I-458
 - audio power, I-81
 - high-impedance, I-353
 - transducer, III-71, II-84, I-351
- broadband
 - low-noise, I-562
 - PEP, 160-W, I-556
 - linear/PEP, 80W, I-557
- buffers
 - 10x, I-128
 - 100x, I-128
 - ac, single-supply, I-126
 - battery-powered, I-351
 - rf amp with modulator, IV-490
 - sine-wave output, I-126
 - unity-gain, stable design, II-6
- car stereo booster amp, V-72
- cascade, III-13
 - 80 MHz, I-567
- cascode, rf amplifiers, IV-488
- CD4049 audio signal amp, IV-40
- chopper, +/- 15V., III-12
- chopper channel, I-350
 - stabilized, II-7
- clamp-limiting, active, III-15
- color video, I-34, III-724
- common source
 - 450 MHz, I-568
 - low-power, II-84
- complementary-symmetry audio, I-78
- composite, II-8, III-13
- compressor/amplifier, low-distortion, IV-24
- constant-bandwidth, III-21
- cool-down circuit, V-354, V-357
- current feedback amp, V-100 mA
 - at 100 MHz, V-25
- current-shunt, III-21
- current collector head, II-11, II-295
- current-to-voltage, high-speed, I-35
- Darlington, push-pull, V-22
- dc servo, I-457
- dc-stabilized, fast, III-18
- dc-to-video log, I-38
- detector, MC1330/MC1352, TV IF, I-688
- difference amplifier, V-18, V-21
- differential, I-38, III-14
 - high-impedance, I-27, I-354
 - high-input, high-impedance, II-19
 - instrumentation, I-347, III-283
 - instrumentation, biomedical, III-282
 - programmable gain, III-507
 - two op amp bridge type, II-83
- discrete current-booster, V-23
- distribution amplifiers
 - audio, I-39, II-39, V-59
 - signal, I-39
- dual power supply, V-465
- dynamic, ac-coupled, III-17
- ear protector circuit, V-482
- electret microphone preamp, V-21
- electrometer, overload protected, II-155
- fast-inverting, high-input impedance, V-18
- FET input, II-7
 - offset gate bias, V-22
 - video, cascade, I-691
- flat response, I-92, III-673
- forward-current booster, III-17
- four-quadrant photo-conductive detector, I-359
- frequency counter preamp, V-24
- gain, 10 dB, III-543
- gain-controlled, III-34
- gate, I-36
- guitars, matching audio signal amps, IV-38
 - harmonic distortion analyzer, V-291
- harmonic distortion meter, V-312
- hi-fi compander as, II-12
- hi-fi expander, II-13
- high-frequency amplifiers, III-259-265
 - 29-MHz, III-262
 - 3-to-30 MHz, 80-W, 12.5-13.6 V, III-261
 - amateur radio, linear, 2-30 MHz 140-W, III-260
 - noninverting, 28-dB, III-263
 - RF, broadcast band, III-264
 - UHF, wideband with high-performance FETs, III-264
 - wideband, III-265
- high-impedance/high-gain/high-frequency, I-41
- high-impedance/low-capacitance, I-691
- high-input-high-impedance amplifiers, II-19, II-44
- IF amplifiers, I-690, IV-459
 - 455-kHz, V-522, V-523, V-524
 - 45-MHz, crystal filter, V-527
 - AGC system, IV-458
 - preamp, IV-460
- receiver, IV-459
- quadrature detector, TV sound IF, I-690
 - two-stage, 60 MHz, I-563
 - wideband, I-689
- infinite sample and hold, II-558
- input-inverting, fast, high-impedance, V-19
- input/output buffer for analog multiplexers, III-11
- instrumentation amplifiers, I-346, I-348, I-349, I-352, II-293-295, III-278-284, IV-229-234, V-233-235
 - +/-100 V common mode range, III-294
 - current collector head amplifier, II-295
 - differential, I-347, I-349, I-353, I-354, III-282, III-283
 - extended common-mode design, IV-234
 - high-impedance low-drift, I-355
 - high-speed, I-354
 - low-drift/low-noise dc amplifier, IV-232
 - low-signal level/high-impedance, I-350
 - low-power, III-284
 - meter driver, II-296
 - preamps, III-283, IV-230-231
 - precision FET input, I-355
 - saturated standard cell amplifier, II-296
 - strain gauge, III-280
 - triple op amp, I-347
 - ultra-precision, III-279
 - variable gain, differential input, I-349
 - very high-impedance, I-354
 - wideband, III-281
- inverting, I-42, II-41, III-14
 - ac, high-gain, I-92
 - balancing circuit in, I-33
 - gain of 2, lag-lead compensation, UHF, I-566
 - low-power, digitally selectable gain, II-333
 - power amplifier, I-79
 - programmable-gain, III-505
 - unity gain amplifier, I-80
 - wideband unity gain, I-35
- isolation
 - capacitive load, I-34
 - level-shifting, I-348
 - medical telemetry, I-352
 - rf, II-547
- JFET, V-20
 - 500-Mohm input impedance, V-23
 - bipolar cascade video, I-692
 - current source biasing, V-21
 - preamplifier, V-22
- line amps, III-37
- duplex, telephone, III-616

- amplifiers (*cont.*)
 - universal design, IV-39
 - linear amplifiers
 - 2-30MHz, 140W PEP amateur radio, I-555
 - 100 W PEP 420-450 MHz push-pull, I-554
 - 160 W PEP broadband, I-556
 - amateur radio, 2-30 MHz 140-W, III-260
 - audio power amplifiers, V-51
 - CMOS inverter, II-11
 - inverter, linear amp from inverter, II-11
 - rf, IV-480-481, IV-484-485
 - load-line protected, 75W audio, I-73
 - logarithmic amplifiers, I-29, I-35, II-8
 - dc to video, I-38
 - log-ratio amplifier, I-42
 - logic amplifiers, II-332-335
 - low-power binary, to 10n gain
 - low-frequency, II-333
 - low-power inverting, digitally selectable gain, II-333
 - low-power noninverting, digitally selectable input and gain, II-334
 - precision, digitally programmable input and gain, II-335
 - programmable amplifier, II-334
 - log ratio, I-42
 - loudness control, II-46
 - low-level video detector circuit and, I-687
 - low-noise design, IV-37
 - medical telemetry, isolation, I-352
 - meter-driver, rf, 1-MHz, III-545
 - micro-powered, high-input/high-impedance, 20 dB, II-44
 - micro-sized, III-36
 - microphone, I-87, III-34
 - electronically balanced input, I-86
 - microwave amplifiers, IV-315-319
 - 5.7 GHz, IV-317
 - bias supply for preamp, IV-318
 - preamplifiers, IV-316-319
 - mini-stereo amplifier, V-583
 - monostable, II-268
 - MOSFET, high-impedance biasing method, V-19
 - neutralized common source, I-565, I-568
 - noninverting amplifiers, I-32, I-33, I-41, III-14
 - ac power, I-79
 - adjustable gain, I-91
 - comparator with hysteresis in, I-153
 - high-frequency, 28-dB, III-263
 - hysteresis in, I-153
 - low-power, digitally selectable input and gain, II-334
 - power, I-79
 - programmable-gain, III-505
 - single supply, I-74
 - split supply, I-75
 - Norton, absolute-value, III-11
 - op amp (*see* operational amplifiers)
 - oscilloscope sensitivity, III-436
 - output, four-channel D/A, III-165
 - phono, I-80, I-81, I-89
 - photodiode, I-361, II-324, III-19, III-672
 - phototransistor amplifier, V-409
 - playback, tape, III-672
 - polarity-reversing low-power, III-16
 - power (*see* power amps)
 - power supply, V-464, V-465
 - pre-amps (*see* preamplifiers)
 - precision amplifier, I-40, II-335
 - programmable amplifiers, II-334, III-504-508
 - differential-input, programmable gain, III-507
 - inverting, programmable-gain, III-505
 - noninverting, programmable-gain, III-505
 - precision, digital control/programming, III-506
 - programmable-gain, I-32, II-9
 - variable-gain, wide-range digital control, III-506
 - programmable gain, I-32, II-9
 - pulse-width proportional controller circuit for, II-21
 - push-pull
 - Darlington, V-22
 - PEP 100-W, 420-450 MHz, I-554
 - PWM servo, III-379
 - recording amplifier, I-90
 - reference voltage, I-36
 - remote, I-91
 - rf (*see* rf amplifiers)
 - sample-and-hold, I-587, II-558
 - selectable input, programmable gain, I-32
 - servo amplifiers (*see also* motor controls), I-452
 - 400 Hz, II-386
 - bridge type ac, I-458
 - dc, I-457
 - motor drive amplifier, II-384
 - signal amplifiers, audio, II-41-47, IV-34-42
 - signal distribution, I-39
 - sound-activated, gain-controlled, IV-528
 - silicon-controlled amplifiers (SCA), V-535-536
 - decoder, I-214, II-166, II-170
 - demodulator, II-150, III-565
 - subcarrier adapter, FM tuner, V-536
 - sinewave output buffer, I-126
 - sound mixer and, II-37
 - source follower
 - bootstrapped, V-20
 - JFET, V-20
 - speaker amplifiers, II-16, III-39
 - speech compressor, II-15
 - stereo amplifiers, I-77, II-9, III-34
 - bass tone control, V-584
 - subwoofer power supply, V-464
 - summing, I-37, III-16
 - fast-action, I-36
 - inverting, V-18, V-20
 - precision design, I-36
 - video, clamping circuit and, III-710
 - switching power, I-33
 - tape playback, I-92, IV-36
 - tape recording, I-90
 - telephone, III-621, IV-555, IV-560, V-614
 - test bench amplifier, V-26
 - thermocouple, I-654, III-14
 - cold junction compensation in, II-649
 - high-stability, I-355
 - transducer, I-86, III-669-673
 - transformerless, 6-W, 8-ohm output, I-75
 - transistorized, I-85, II-43
 - tremolo circuit, voltage-controlled, I-598
 - tube amplifier, high-voltage isolation, IV-426
 - TV audio, III-39
 - two-meter, I-562, I-567
 - two-stage, I-563, I-689
 - UHF, I-560, I-565
 - unity gain, I-27, II-7
 - noninverting, V-21, V-22
 - variable-gain, for oscilloscopes, V-426
 - VHF, single-device, 80-W/50-ohm, I-558
 - video, I-692, III-708-712, V-655, V-656, V-657, V-658, V-662
 - 75-ohm video pulse, III-711
 - buffer, low-distortion, III-712
 - color, I-34, III-724
 - dc gain-control, III-711
 - FET cascade, I-691
 - gain block, III-712
 - IF, low-level video detector circuit, I-689, II-687
 - JFET bipolar cascade, I-692
 - line driving, III-710
 - log amplifier, I-38
 - RGB, III-709
 - summing, clamping circuit and, III-710
 - voice activated switch, I-608
 - voice-operated circuits, V-553
 - voltage, differential-to-single-ended, III-670
 - voltage-controlled (*see* voltage-controlled amplifiers)
 - voltage-follower, signal-supply operation, III-20

- volume, II-46
- walkman, II-456
- write, III-18
- amplitude modulation (*see* AM radio-related circuits; AM/FM)
- analog circuits
 - counter circuit, II-137
 - delay line, echo and reverb, IV-21
 - multiplexers, II-431, III-396
 - multiplier, II-392
 - switch, differential analog switch, I-622
- analog-to-digital converter, II-23-31, III-22-26, IV-5-6, V-27-30
- 3-bit, high-speed, I-50
- 8-bit, I-44, I-46
- 8-bit successive approximation, I-47
- 10-bit, II-28
- 10-bit serial output, II-27
- 12-bit, high-speed, II-29
- 16-bit, II-26
- board design, IV-6
- buffer, high-speed 6-bit, I-127
- capacitance meter, 3.5 digit, III-76
- cyclic, II-30
- differential input system for, II-31
- eight-channel, for PC clones, V-29-30, V-29
- fast precision, I-49
- four-digit (10,000 count), II-25
- half-flash, III-26
- IC, low-cost, I-50
- LCD display, 3.5 digit, I-49
- poller, V-28
- successive approximation, II-24, II-30, I-45
- switched-capacitor, III-23
- three-decade logarithmic, I-48
- three-IC, low-cost, I-50
- tracking, III-24
- video converter, IV-610-611
- analyzer, gas, II-281
- AND gate, I-395, V-216
 - large fan-in, I-395
- ancinometers (*see also* air motion/pressure)
 - hot-wire, III-342
 - thermally based, II-241
- angle-of-rotation detector, II-283
- annunciators (*see also* alarms; sirens), II-32-34, III-27-28, IV-710
- ac line-voltage, III-730
- bell, electronic I-636, II-33, IV-9
- buzzers, I-11, I-12, IV-8, V-170
- chime circuit, low-cost, II-33
- door buzzer, IV-8
- doorbells/chimes, I-218, I-443, IV-8
 - buzzer, V-170
 - buzzer, two-door, IV-10
 - musical-tone, IV-522
 - rain alarm, I-443
 - single-chip design, IV-524
 - sliding tone, II-34
 - twin-bell, V-170
- large fan-in, I-395
- SCR circuit, self-interrupting load, IV-9
- twin-bell doorbell, V-170
- two-door annunciator, IV-10
- answering machines (*see also* telephone-related circuits)
 - beeper, IV-559
- antennas, IV-11-14, V-31-38
 - active, III-1-2, IV-1-4
 - wideband rod, IV04
 - with gain, IV-2
- balun, V-34
- HF broadband antenna preamp, V-36
- HF/VHF switchable active antenna, V-524
- loop antenna,
 - 3.5 MHz, IV-12-13
 - dual band, 80-16-M, V-32
 - preamp, V-38
- preamps
 - HF broadband, V-36
 - VLF 60-kHz, V-33
 - wideband antenna, V-35
- selector switch, IV-538-539
- TR switch, automatic, V-37
- tuner
 - 1- to 30-MHz, IV-14
 - low-power, V-38
- VLF 60-kHz antenna preamp, V-33
- VLF/VHF wideband, low-noise, active, V-33
- wideband antenna, preamp, V-35
- antitheft device, I-7
- arc lamp, 25-W, power supply for, II-476
- arc welding inverter, ultrasonic, 20 KHz, III-700
- arc-jet power supply, starting circuit, III-479
- astable multivibrators, II-269, II-510, III-196, III-233, III-238, V-387, V-388
 - op amp, III-224
- free-running square-wave oscillator, V-386
- programmable-frequency, III-237
- square wave generation with, II-597
- attendance counter, II-138
- attenuators, III-29-31
- analog signals, microprocessor-controlled, III-101
- digitally programmable, III-30
- digitally selectable, precision design, I-52
- programmable, III-30
- programmable (1 to 0.00001), I-53
- rf, IV-322
- variable, I-52
- voltage-controlled, II-18, III-31
- audio amplifiers (*see also* amplifiers; audio and sound circuits; audio power amplifiers), II-41-47, III-32-39, IV-34-42
 - 40 dB gain design, IV-36
 - AGC, squelch control, III-33
 - audio compressor, II-44
 - automotive stereo system, high-power, IV-66
 - balance, II-46, II-47, IV-215
 - Baxandall tone-control, IV-588
 - booster, 20 dB, III-35
 - CD4049 design, IV-40
 - circuit bridge load drive, III-35
 - complementary-symmetry, I-78
 - compressor, II-44
 - distribution, I-39, II-39
 - electric guitar, IV-38
 - fader, automatic, II-42
 - fixed power supplies, IV-398, IV-407
 - high-slew rate power op amp, I-82
 - gain-controlled, stereo, III-34
 - line amplifier, III-37, IV-39
 - load line protection, 75W, I-73
 - loudness, II-46
 - low-noise design, IV-37
 - low-power, II-454
 - micro-sized, III-36
 - microphone, II-45, III-34
 - micropower high-input-impedance 20-dB amplifier, II-44
 - mini-stereo, III-38
 - power (*see* audio power amplifiers)
 - power supply, V-465
 - pre-amps
 - 1000x, low-noise, IV-37
 - general-purpose, IV-42
 - impedance-matching, IV-37
 - low-noise, IV-41
 - magnetic phono cartridge, IV-35
 - microphone, IV-37, IV-41, IV-42
 - NAB tape playback, professional, III-38
 - phono, III-37, IV-35, IV-36
 - RIAA, III-38
 - stereo, II-43, II-45
 - Q-multiplier, II-20
 - signal (*see* audio signal amplifiers)
 - speaker, hand-held transceivers, III-39
 - tape playback amplifiers, IV-35
 - television type, III-39
 - tone control, II-686
 - transistor headphone amplifier, II-43
 - ultra-high-gain, I-87
 - volume indicator, II-46, IV-212
- audio and sound circuits (*see also* audio amplifiers; sound generators; sound-operated circuits)
 - acoustic field generator, V-338-341
 - acoustic sound receiver/transmitter, IV-311
 - AF drive indicator, V-346
 - amplifiers (*see* audio amplifiers)
 - audio-frequency generator, V-416-417

- audio and sound circuits (*cont.*)
- audio-frequency meter, V-305, V-320
- audio-rf signal tracer probe, I-527
- audio-sensor alarm, V-8
- audio-test oscillator, V-420
- audio-to-ADC interface, V-242
- audio-to-UHF preamp, V-24
- automatic gain control (AGC), II-17
- automatic level control (ALC), V-62
 - AGC system for CA3028 IF amp, IV-458
 - rf amplifier, wideband adjustable, III-545
 - squelch control, III-33
 - wide-band amplifier, III-15
- booster, II-455, III-35
- biquad filter, III-185
- bridge load drive, III-35
- carrier-current transmitter, III-79
- clipper, precise, II-394
- compressor, II-44
- continuity tester, I-550
- converter, two- to four-wire, II-14
- distribution amplifier, I-39, II-39
- expander, V-582
- filters (*see filters*)
- frequency doubler, IV-16-17
- frequency meter, I-311
- generators (*see sound generators*)
- LED bar peak program meter display, I-254
- level meters, sound levels, III-346, III-614, IV-305, IV-307
- limiters, II-15, V-335
- millivoltmeter, III-767, III-769
- mixers (*see mixers*)
- notch filter, II-400
- octave equalizer, V-353
- oscillators, I-64, II-24, III-427, IV-374, IV-375
 - 20Hz to 20kHz, variable, I-727
 - light-sensitive, III-315
 - sine wave, II-562
- power (*see audio power amplifiers*)
- power meter, I-488
- Q multiplier, II-20
- receivers (*see receivers*)
- rf signal tracer probe, I-527
- scramblers, IV-25-27
- selector, digital, V-158
- signal amplifiers (*see audio signal amplifiers*)
- sine wave generator, II-564
- squelch, II-394
- switches
 - eight-channel, V-588-589
 - video/audio switch, V-586
- switching/mixing, silent, I-59
- transmitters (*see transmitters*)
- waveform generators, III-230
- audio generators (*see sound generators*)
- audio-operated circuits (*see sound-operated circuits*)
- audio power amplifiers, II-451, III-454, IV-28-33
 - 6-W, with preamp, III-454
 - 18-W bridge, V-49
 - 20-W, III-456
 - 33-W bridge composite, V-46
 - 39-51, V-39
 - 40 W, V-41
 - 50-W, III-451
 - 70 W, composite, V-44-45, V 44
- audio amplifier, IV-32
 - basic design, V-51
 - bridge, I-81, V-49
 - bridge composite, V-46
 - bull horn, IV-31
 - composite,
 - 33-W bridge, V-16
 - 70 W, V-44-45
 - inverting 10W, V-47
 - noninverting 10W, V-47
 - dual, V-42-43, V-42
 - general-purpose, 5-W, ac, IV-30
 - half-watt, single-channel, V-41
 - inverting composite, V-10W, V-47
 - linear, fast, high-voltage, V-51
 - MOSFET, V-47
 - noninverting composite 10W, V-47
 - op amp, simple design, IV-33
 - personal-stereo type, V-48
 - receiver audio circuit, IV-31
 - stereo amp, IV-29, V-40
 - subwoofer amp, V-49, V-50
- audio signal amplifiers, II-41-47, IV-34-42, V-52-59
 - booster, V-58
 - compressor, audio, V-57
 - constant-volume, V-55
 - distribution amplifier, V-59
 - dual preamp, V-58
 - headphone amplifier, V-53
 - headphone amplifier, JFET, V-57
 - line driver, V-54
 - mini-amp, V-56
 - phonograph, magnetic pickup, V-58
 - tunable-filter design, V-56
 - volume limiter, V-59
- audio-frequency generator, V-416-417
- audio-frequency meter, V-305, V-320
- audio-to-UHF preamp, V-24
- audio/video switcher circuit, IV-540-541
- auto-advance projector, II-444
- autodrum sound effect, II-591
- auto-fade circuit, II-42
- auto-flasher, I-299
- auto-zeroing scale bridge circuits, III-69
- automatic gain control (AGC), II-17
 - AGC system for CA3028 IF amp, IV-458
 - rf amplifier, wideband adjustable, III-545
- squelch control, III-33
- wide-band amplifier, III-15
- automatic level control (ALC), V-60-62
 - AGC system for audio signals, V-62
 - basic design, V-62
 - digital design, V-61
- automotive circuits, II-48-63, III-40-52, IV-43-67, V-63-77
 - accessory-power controller, V-70
- alarms (*see also alarms/security circuits*), V-1
 - automatic-arming, IV-50
 - automatic turn off, IV-52
 - CMOS design, low-current, IV-56
 - horn as loudspeaker, IV-54
 - single-IC design, IV-55
- air conditioner smart clutch, III-46
- alternator/battery monitor, III-63, V-88
- alternator regulator, V-76
- AM radio to shortwave converter, IV-500
- amplifier, booster for car stereo, V-72
- analog expanded-scale meter, IV-46
- audio-amplifier, high-power, IV-66
- back-up beeper, III-49, IV-51, IV-56
- bar-graph voltmeter, II-54
- battery chargers/monitors (*see also battery-related circuits*)
 - charger, ni-cad, I-115
 - condition checker, I-108
 - current analyzer, I-104
 - electric vehicle battery saver, III-67
 - monitor, I-106, I-222, III-60-67
 - supply circuit, +/- 15- and 5-V, IV-391
- battery cranking-amps tester, V-84
- battery/alternator monitor, V-88
- brake and turn indicator, V-74
- brake lights, V-65
 - delayed extra, III-44
 - flashing, V-69
 - flashing third, III-51
 - right-safety light for parked car, IV-61
 - third brake light, IV-60
- burglar alarms, I-3, I-7, I-10, II-2, III-4, III-7, IV-53
- cassette recorder power circuit, IV-548
- courtesy lights
 - delay switch, III-42
 - light extender, III-50
- dc power adapter, V-70
- digi-tach, II-61
- directional signals monitor, III-48
- door ajar monitor, III-46
- electric vehicles, battery saver, III-67
- electrical tester, IV-45
- electronic circuits, IV-63-67

engine-block heater reminder, V-74
exhaust emissions analyzer, II-51
fan thermostatic switch, V-68
fog light controller with delay, IV-59
fuel gauge, digital readout, IV-46
fuse monitor, V-77
garage stop light, II-53
generator regulator, V-76
glow-plug driver, II-52
headlights, IV-57-62
alarm, III-52, V-77
automatic-off controller, IV-61,
V-75
delay circuit, I-107, III-49, II-59
dimmer, II-57, II-63
flasher, V-73
on-lights reminder, V-74, V-77
switching circuit, V-75
headlight/spotlight control, V-67
high-speed warning device, I-101
ice formation alarm, II-58
ignition circuit, V-64
cut-off, IV-53
electronic ignition, IV-65
substitute ignition, III-41
timing light, II-60
immobilizer, II-50
kill-switch for battery, time-
delayed, V-71-72
light circuits, IV-57-62
lights-on warning, II-55, III-42,
IV-58, IV-60, IV-62
locator, automobile locator, III-43
night-safety light for parked car,
IV-61
oil pressure gauge, digital readout,
IV-44, IV-47
PTC thermistor automotive
temperature indicator, II-56
radio receiver, II-525
radio WWV converter, V-119
read-head pre-amplifier, III-44
road ice alarm, II-57
security system, I-5, IV-49-56
spotlight/headlight control, V-67
tachometers, I-94, I-100, I-102,
II-175, III-335, III-340, III-347,
V-65
analog readout, IV-280
calibrated, III-598
closed loop feedback control, II-390
digital readout, II-61, III-45,
IV-268-269, IV-278
dwell meter/tachometer, III-45
feedback control, II-378, II-390
frequency counter, I-310
low-frequency, III-596
minimum-component design, I-405
motor speed controllers, II-378,
II-389
optical pick-up, III-347
set point, III-47
temperature gauge
digital readout, IV-48

PTC thermistor, II-56
thermostatic switch for auto fans,
V-68
turn signals, V-65
audible reminder, V-74
monitor, III-48
sequential flasher for, II-109, III-1
smart, V-66-67, V-66
reminder, V-73
vacuum gauge, digital readout, IV-45
voltage gauge, IV-47
voltage regulator, III-48, IV-67
voltmeter, bargraph, I-99
water temperature gauge, IV-44
windshield wiper circuits, I-105,
II-55, II-62
control circuit, I-103, I-105, II-62
delay circuit, II-55, IV-64
hesitation control unit, I-105
intermittent, dynamic braking,
II-49
interval controller, IV-67
slow-sweep control, II-55
windshield washer fluid watcher,
I-107
WWV converter for radio, V-119

B

B-field measurer, IV-272
baby monitor, V-370-371
baby-alert transmitter/receiver,
V-95-96
back-biased GaAs LED light sensor,
II-321
back-EMF PM motor speed control,
II-379
backup-light beeper, car, IV-51,
IV-56
bagpipe sound effect, IV-521
balance indicator, audio amps,
IV-215
balance meter, stereo, V-583
balancer, stereo, I-619
balance amplifiers, III-46
loudness control in, II-395
balance indicator, bridge circuit, II-82
balun, V-34
band reject filter, active, II-401
bandpass filter (*see also* filter
circuits), II-222, V-180, V-181
0.1 to 10 Hz, I-296
160 Hz, I-296
active, II-221, II-223, III-190
1kHz, I-284
20 kHz, I-297
60 dB gain, I-284
variable bandwidth, I-286
biquad, I-285, III-188, V-190
Chebyshev fourth-order, III-191
high-Q, I-287, V-179
MFB, multichannel tone decoder,
I-288
multiple feedback, I-285, I-297,
II-224
notch, II-223
Sallen-Key, 500 Hz, I-291
second-order biquad, III-188
speech-range filter, V-185
state variable, I-290
tunable, IV-171
variable bandpass, V-184
variable-frequency, V-186
bang-bang power controllers, IV-389
bar-code scanner, III-363
bar-expanded scale ructer, II-186
bar graphs
ac signal indicator, II-187
voltmeters, II-54, II-99
barricade flasher, I-299
barometer, IV-273
bass tone control in stereo amplifier,
V-584
bass tuner, II-362
12 V, I-111
200 mA-hour, 12V Ni-Cad, I-114
automatic shutoff for, I-113
battery-operated equipment (*see
also* battery-related circuits)
ac power control switch, IV-387
automatic shutoff, III-61
bipolar power supply, II-475
black light, V-281
buffer amplifier for standard cell,
I-351
calculators/radios/cassette players,
power pack, I-509
cassette deck power circuit, car,
IV-548
fence charger, II-202
flasher, high-powered, II-229
lantern circuit, I-380
light, capacitance operated, I-131
On indicator, IV-217
undervoltage indicator for, I-123
warning light, II-320
battery-related circuits (*see also* -
battery-operated equipment),
V-82-89
AA cells, +5 V/+3.6 V power
supply, V-452
battery life extenders, IV-72, V-87
9-V, III-62
disconnect switch, IV-75
electric vehicles, III-67
capacity tester, III-66
car battery/alternator monitor, V-88
chargers, I-113, II-64, II-69, III-53-
59, IV-68-72, V-78-81
12-V charger, IV-70
constant voltage, current limited,
I-115
intelligent circuit, V-81
mobile charger, +12 Vdc, IV-71
ni-cad, I-112, I-116, III-57
rf type, V-79
solar-powered, V-81
temperature sensing charger,
IV-77

- battery-related circuits (*cont.*)
 - trickle charger, lead-acid, V-79
- checkers (*see* battery monitors, below)
- condition checker, I-108, I-121
- control for 12V, I-112
- converter, dc-to-dc, IV-119
- cranking-amp test circuit, V-84
- current limited 6V, I-118, IV-70
- current monitor, 0-2 A batteries, V-87
- disconnect switch, life-extender, IV-75
- dynamic constant current test, II-75
- fixed power supply, 12-VDC/120-VAC, III-464
- gel cell, II-66
- high-voltage generator, III-482
- indicators (*see* battery monitors, below)
- internal resistance tester, IV-74
- kill-switch, time-delayed, V-71-72
- lead/acid, III-55
- level indicator, II-124
- lithium, II-67
 - charge indicator, II-78
- low-battery detection/warning, I-124, II-77, III-56, III-59, III-63, III-65, IV-56, IV-80
- low-cost trickle for 12V storage, I-117
- monitors, I-106, I-222, II-74-79, III-60-67, IV-73-80, V-82-83
- ni-cad batteries, I-118
 - analyzer for, III-64
 - charger, I-112, I-116, III-57
 - 12 v, 200 mA per hour, I-114
 - current and voltage limiting, I-114
 - fast-acting, I-118
 - portable, IV-69
 - temperature-sensing, IV-77
 - thermally controlled, II-68
- packs, automotive charger for, I-115
 - portable, III-47, IV-69
 - protection circuit, III-62
 - simpli-cad, I-112
 - temperature-sensing charger, IV-77
 - test circuit, IV-79
 - thermally controlled, II-68
 - zappers, I-6, II-66, II-68
- power supply and, 14V, II-73, III-42
 - protection circuit, ni-cads, III-62
 - PUT, III-54
 - regulator, I-117
 - relay fuse, V-88
 - saver circuit, V-87
 - sensor, quick deactivating, III-61
 - simpli-cad, I-112
 - solar cell, II-71
 - splitter, III-66
 - status indicator, II-77
- step-up switching regulator, 6-V, II-78
 - supply-voltage monitor, V-85
- test circuits, IV-78, V-83, V-86
 - LED bargraph, V-89
 - ni-cad, IV-79
 - thermally controlled ni-cad, II-68
- threshold indicator, I-124
- UJT, III-56
- undervoltage indicator, I-123
- universal battery, III-56, III-58
- versatile battery, II-72
- voltage indicators/monitors, II-79, IV-80, V-86
 - automotive batteries, IV-47
 - detector relay, II-76
 - HTS, I-122
 - regulator, IV-77
 - solid-state design, I-120
 - watchdog circuit, V-85
 - wind powered, II-70
 - zapper, simple ni-cad, I-116
- Baxandall tone-control audio amp, IV-588
- BCD rotary switch, digital, V-160
- BCD-to-analog converter, I-160
- BCD-to-parallel converter, multiplex, I-169
- beacon transmitter, III-683
- beep transformer, III-555, III-566
- beepers, I-19, III-49
- bells, electronic (*see also* alarms; annunciators), I-636, II-33
- bench top power supply, II-472
- bicycle speedometer, IV-271, IV-282
- bilateral current source, III-469
- binary counter, II-135
- biomedical instrumentation
 - differential amplifier, III-282
- bipolar dc-dc converter with no inductor, II-132
- bipolar power supply, II-475
- bipolar voltage reference source, III-774
- biquad audio filter, III-185
 - second-order bandpass, III-188
 - RC active bandpass, I-285
- bird-chirp sound effect, III-577, II-588
- bird feeder monitor, V-371
- bistable multivibrators, I-133, II-465
 - inverter, III-103
 - debouncer, IV-108
 - flasher, I-299, II-234
 - lamp driver, IV-160
 - pushbutton trigger, V-388
 - RS flip-flop, I-395
 - SCR, II-367
 - SR flip-flop, IV-651
 - touch-triggered, I-133
- bit grabber, computers, IV-105
- black light, battery-operated, V-281
- blender-motor control circuit, V-379
- blinkers (*see* flashers and blinkers)
- blown-fuse alarm, I-10
- boiler control, I-638
- bongos, electronic, II-587
- boosters
 - 12ns, II-97
 - ac line voltage boost, V-349
 - audio, II-455, III-35, V-58
 - booster/buffer for reference current, IV-425
 - electronic, high-speed, II-96
 - forward-current, III-17
 - LED, I-307
 - power booster, op amp design, IV-358
 - rf amp, broadcast band boost, IV-487
 - shortwave FET, I-561
- bootstrap circuit, V-356
- source follower, V-20
- cable, I-34
- brake lights (*see* automotive circuits)
- brake, PWM speed control/energy recovering, III-380
- breakers
 - 12ns, II-97
 - high-speed electronic, II-96
- breaker power dwell meter, I-102
- breakout box, buffer, II-120
- breath alert alcohol tester, III-359
- breath monitor, III-350
- bridge balance indicator, II-82
- bridge circuits, I-552, II-80-85, III-68-71, IV-81-83
 - ac, II-81
 - ac servo amplifier with, III-387
 - accurate null/variable gain circuit, III-69
 - air-flow-sensing thermistor, IV-82
 - auto-zeroing scale, III-69
 - balance indicator, II-82
 - bridge transducer amplifier, III-71
 - crystal-controlled oscillator, IV-127
 - differential amplifier, two op-amp, II-83
 - inductance bridge, IV-83
 - load driver, audio circuits, III-35
 - low-power common source amplifier, II-84
 - one-power supply design, IV-83
 - QRP SWR, III-336
 - rectifier, fixed power supply, IV-398
 - remote sensor loop transmitter, III-70
 - rf bridge, V-50-MHz, V-303
 - strain gauge signal conditioner, II-85, III-71
 - transducer, amplifier for, II-84
 - Wien-bridge (*see* Wien-bridge)
- brightness controls, III-308, III-316
- contrast meter, I-472, II-447
- LED, I-250
- low-loss, I-377
- broadband communications (*see* radio/RF circuits)

buck converter, 5V/0.5A, I-494
buck/boost converter, III-113
buckling regulators
 add 12-V output to 5-V, V-472
 high-voltage, III-481
buffer amplifiers, V-91
 10x, I-128
 100x, I-128
 ac, single supply, I-126
 battery powered, standard cell,
 II-351
 MOSFET design, V-93
 sine wave output, I-126
 VFO design, V-92
buffers, IV-88-90, V-90-93
 amplifiers (*see* buffer amplifiers)
 ac, single-supply, high-speed,
 I-127-128
 ADC input, high-resolution, I-127
 A/D, 6-bit, high-speed, I-127
 booster/buffer for reference
 current, IV-425
 capacitance buffers
 low-input, III-498
 stabilized low-input, III-502
 data/clock line serial bus for PCs,
 V-110
 hex-buffer crystal oscillator, V-136
 high-current, V-92
 input/output, for analog
 multiplexers, III-11
 inverting, II-299, IV-90
 oscillator buffers, IV-89
 precision-increasing design, IV-89
 rail-to-rail single-supply buffer, V-93
 rf amp, buffer amp with modulator,
 IV-490
 stable, high-impedance, I-128
 unity gain, stable, good speed,
 high-input impedance, II-6
 VFO buffer amplifier, V-92
 video buffer, III-712, V-93
 wideband, high-impedance/low-
 capacitance, I-127
buffered breakout box, II-120
bug detector, III-365, V-150
bug tracer, III-358
bull horn, II-453, IV-31
burglar alarms (*see* alarms;
 annunciators; sirens)
burst generators (*see also* function
 generators; sound generators;
 waveform generators), II-86-90,
 III-72-74
 multi-, square waveform, II-88
 rf, portable, III-73
 single timer IC square wave, II-89
 single tone, II-87
 strobe tone, II-90
 tone, II-90, III-74
burst power control, III-362
bus interface, eight bit uP, II-114
Butler oscillators
 aperiodic, I-196

 common base, I-191
 crystal, I-182
 emitter follower, II-190-191, II-194
Butterworth filters
 fourth order high-pass, I-280, V-179
 fourth order low-pass, V-180
 order low-pass, V-181
buzzers (*see* annunciators)

C

cable
 bootstrapping, I-34
 test circuit, III-539, V-299
calibrated circuit, DVM auto, I-714
calibrated tachometer, III-598
calibrators
 crystal, 100 kHz, I-185
 electrolytic-capacitor reforming,
 IV-276
 ESR measurer, IV-279
 oscilloscope, II-433, III-436
 portable, I-644
 square wave, 5-V, I-423
 standard for calibration, I-406
 radio calibrator, V-298
 tester, IV-265
 wave-shaping, high-slew rates,
 IV-650
cameras (*see* photography-related
 circuits; television and video)
canary sound simulator, V-567
canceller, central image, III-358
capacitance buffers
 low-input, III-498
 stabilized low-input, III-502
capacitance controller, digital, V-159
capacitance meters, I-400, II-91-94,
 III-75-77
 A/D, 3.5 digit, III-76
 capacitance-to-voltage, II-92
 digital, II-94
capacitance multiplier, I-416, II-200,
 V-205, V-347
capacitance tester; one-IC design,
 V-306
capacitance-to-pulse width
 converter, II-126
capacitance-to-voltage meter, II-92
capacitor discharge
 high-voltage generator, III-485
 ignition system, II-103
capacitors, hysteresis compensation,
 V-353
capacity tester, battery, III-66
car port, automatic light controller
 for, II-308
cars (*see* automotive circuits)
carrier-current circuits (*see also*
 radio/rf circuits), III-78-82, IV-
 91-93, V-94-96
AM receiver, III-81
audio transmitter, III-79
baby-alert receiver/transmitter, V-
 95, V-96
data receiver, IV-93
data transmitter, IV-92
FM receiver, III-80
intercom, I-146
power-line modem, III-82
receivers, I-141, I-143
 IC, I-146
 single transistor, I-145
 relay, I-575, IV-461
 remote control, I-146
 transmitters, I-144
 IC, I-145
 on/off 200kHz line, I-142
cascaded amplifier, III-13
cassette bias oscillator, II-426
cassette interface, telephone, III-618
centigrade thermometer, I-655,
 II-648, II-662
central image canceller, III-358
charge pool power supply, III-469
charge pumps
 positive input/negative output,
 I-418, III-360
 regulated for fixed power supply,
 IV-396
chargers (*see* battery-related
 circuits, chargers)
chase circuit, III-197, I-326
Chebyshev filters (*see also* filter
 circuits)
 bandpass, fourth-order, III-191
 fifth order multiple feedback low-
 pass, II-219
 high-pass, fourth-order, III-191
chime circuit, low-cost, II-33
chopper circuits
 amplifier, II-7, III-12, I-350
 dc output, V-349
 JFET, V-352
checkers (*see* measurement/test
 circuits)
chroma demodulator with RGB
 matrix, III-716
chug-chug sound generator, III-576
circuit breakers (*see also* protection
 circuits)
 12ns, II-97
 ac, III-512
 high-speed electronic, II-96
 trip circuit, IV-423
 circuit protection (*see* protection
 circuits)
clamp-on-current probe
 compensator, II-501
clamp-limiting amplifiers, active,
 III-15
clamping circuits
 video signal, III-726
 video summing amplifier and,
 III-710
class-D power amplifier, III-453
clippers, II-394, IV-648
 audio-powered noise, II-396
 audio-clipper/limiter, IV-355

- clippers (*cont.*)
 - zener design, fast, symmetrical, IV-329
- clock circuits, II-100-102, III-83-85, V-97-99
 - 60Hz clock pulse generator, II-102
 - adjustable TTL, I-614
 - binary clock, V-98-99
 - buffer serial bus, V-110
 - comparator, I-156
 - crystal oscillator, micropower, IV-122
 - digital, with alarm, III-84
 - gas discharge displays, III-12-hour, I-253
 - oscillator/clock generator, III-85
 - phase lock, 20-Mhz to Nubus, III-105
 - run-down clock for games, IV-205
 - sensor touch switch/clock, IV-591
 - single op amp, III-85
 - source, clock source, I-729
 - stepper motors, V-573
 - three-phase from reference, II-101
 - TTL, wide-frequency, III-85
 - Z80 computer, II-121
- clock generators
 - oscillator, I-615
 - precision, I-193
 - pulse generator, 60 Hz, II-102
 - clock radio, I-542, I-543
- CMOS circuits
 - 555 astable true rail-to-rail square wave generator, II-596
 - 9-bit, III-167
 - coupler, optical, III-414
 - crystal oscillator, III-134
 - data acquisition system, II-117
 - dimmer, V-270
 - flasher, III-199
 - inverter, linear amplifier from, II-11
 - line receiver, V-497
 - mixer, I-57
 - multivibrators, V-385
 - optical coupler, III-414
 - oscillator, I-615, I-187, I-199, III-429, III-430, V-420
 - piezoelectric driver, V-440
 - programmable precision timer, III-652
 - short-pulse generator, III-523
 - touch switch, I-137
 - universal logic probe, III-499
 - variable-frequency oscillator (VFO), V-418
- coaxial cable
 - drivers, coaxial cable, I-266, I-560
 - five-transistor pulse booster, II-191
 - test circuit, V-299
- Cockcroft-Walton cascaded voltage doubler, IV-635
- code-practice oscillators, I-15, I-20, I-22, II-428-431, IV-373, IV-375, IV-376, V-100-103
- keyer, "bug" type, V-102
- Morse code practice, V-103
- optoisolator design, V-101
- QRP sidetone generator, V-102
- single-transistor design, V-103
- VFO design, V-103
- coil drivers, current-limiting, III-173
- coin flipper circuit, III-244
- color amplifier, video, III-724
- color-bar generator, IV-614
- color organ, II-583, II-584, V-104-105
- color video amplifier, I-34
- Colpitts crystal oscillators, I-194, I-572, II-147, V-411
- 1-to-20 MHz, IV-123
- frequency checker, IV-301
- harmonic, I-189-190
- two-frequency, IV-127
- combination locks, electronic, II-196
- three-dial, II-195
- commutator, four-channel, II-364
- companders (*see* compressor/expander circuits)
- comparators, III-86-90, II-103-112, I-157
 - demonstration circuit, II-109
 - diode feedback, I-150
 - display and, II-105
 - double-ended limit, II-105, I-156
 - dual limit, I-151
 - four-channel, III-90
 - frequency, II-109, II-110
 - frequency-detecting, III-88
 - high-impedance, I-157
 - high-input impedance window comparator, II-108
 - high-low-level comparator with one op amp, II-108
 - hysteresis, I-157
 - inverting, I-154
 - noninverting, I-153
 - inverting, I-154
 - jitter suppression, V-342
 - latch and, III-88
 - LED frequency, II-110
 - limit, II-104, I-156
 - low-power, less than 10uV
 - hysteresis, II-104
 - microvolt
 - dual limit, III-89
 - hysteresis, III-88
 - monostable using, II-268
 - opposite polarity-input voltage, I-155
 - oscillator, tunable signal, I-69
 - power supply overvoltage, glitches detection with, II-107
 - precision
 - balanced input/variable offset, III-89
 - photodiode, I-360, I-384
 - time out, I-153
 - TTL-compatible Schmitt trigger, II-111
 - three-input and gate, op amp design, IV-363
 - variable hysteresis, I-149
 - voltage comparator, IV-659
 - voltage monitor and, II-104
 - window, I-152, I-154, II-106, III-87, III-90, III-776-781, IV-656-658
- compass
 - digital design, IV-147
 - Hall-effect, III-258
 - talking Hall-effect compass, V-221
- compensator, clamp-on-current probe, II-501
- composite amplifier, II-8, III-13
- composite-video signal text adder, III-716
- compressor/expander circuits, III-91-95, IV-94-97
 - amplifier/compressor, low-distortion, IV-24
 - audio, II-44, V-57
 - audio compressor/audio-band splitter, IV-95
 - clock circuit, I-156
 - guitar, sound-effect circuit, IV-519
 - hi-fi, II-12, II-13
 - de-emphasis, III-95
 - pre-emphasis, III-93
 - low-voltage, III-92
 - protector circuit, IV-351
 - speech, II-2
 - universal design, IV-96-97
 - variable slope, III-94
- computalarm, I-2
- computer circuits (*see also* interfaces), II-113-122, III-96-108, V-106-110
 - ADC, eight-channel, for PC clones, V-29-30
 - analog signal attenuator, III-101
 - alarm, I-2
 - ASCII triplex LCD, 8048/IM80C48, II-116
 - bit grabber, IV-105
 - buffered breakout box, II-120
 - buffer serial-bus for data/clock lines, V-110
 - bus interface, 8-bit uP, II-114
 - clock phase lock, 20-Mhz-to-Nubus, III-105
 - CMOS data acquisition system, II-117
 - CPU interface, one-shot, IV-239
 - data separator for floppy disks, II-122
 - degitcher, IV-109
 - display, eight-digit, III-106
 - dual 8051s execute in lock-step circuit, IV-99
 - DVM adapter for PC, V-310
 - EEPROM pulse generator, 5V-powered, III-99
 - eight-channel mux/demux system, II-115

eight-digit microprocessor display, III-106
 flip-flop inverter, spare, III-103
 high-speed data acquisition system, II-118
 interface, 680x, 650x, 8080 families, III-98
 interval timer, programmable, II-678
 keyboard matrix interface, IV-240
 laptop computer power supply, V-463
 line protectors, 3 uP I/O, IV-101
 logic-level translators, IV-242
 logic line monitor, III-108
 long delay line, logic signals, III-107
 memory/protector power supply monitor, IV-425
 memory saving power supply, II-486
 microcomputer-to-triac interface, V-244
 microprocessor selected pulse width control, II-116
 modem protector circuit, V-479
 modem/fax protector for two computers, V-482
 multiple inputs detector, III-102
 one-of-eight channel transmission system, III-100
 oscilloscope digital levels, IV-108
 password protection circuit, V-109
 power supply watchdog, II-494
 pulse width control, II-116
 printer error alarm, IV-106
 printer entry, V-107-108
 reset protection, childproof, IV-107
 RGB blue box, III-99
 RS-232 dataselector, automatic, III-97
 RS-232C line-driven CMOS circuits, IV-104
 RS-232-to-CMOS line receiver, III-102
 RS-232C LED circuit, III-103
 short-circuit sensor, remote data lines, IV-102
 signal attenuator, analog, III-101
 sleep-mode sound-operated circuits, V-547
 socket debugger, coprocessor, III-104
 speech synthesizer for, III-732
 stalled-output detector, IV-109
 switch debouncer, IV-105
 auto-repeating, IV-106
 triac array driver, II-410
 V_{pp} generator for EPROMs, II-114
 XOR gates, IV-107
 up/down counter, III-105
 Z80 bus monitor/debugger, IV-103
 Z80 clock, II-121
 contact switch, I-136
 continuity testers, I-550, I-551, II-533, II-535, III-345, III-538-540, IV-287, IV-289, IV-296
 audible, II-536, V-317
 buzz box, I-551
 cable tester, III-539
 latching design, IV-295
 low-resistance circuits, V-319
 ohmmeter, linear, III-540
 PCB, II-342, II-535
 ratiometric, I-550
 RC decade box, V-294-295
 resistance-ratio detector, II-342
 single chip checker, II-534
 visual, V-293
 contrast meters, II-447
 automatic, I-472
 brightness controls, I-250, I-377, III-308
 control circuits (*see* fluid and moisture; light-controlled circuits; motor control circuits; speed controllers; temperature-related circuits; tone controls)
 controller circuit, IV-142
 conversion and converters, I-503, II-123-132, III-109-122, IV-110-120, V-116-128
 3-to-5 V regulated output, III-739
 4-to-18 MHz, III-114
 4-to-20 mA current loop, IV-111
 5V-to-isolated 5V at 20mA, III-474
 5V-to-0.5A buck, I-494
 9-to-5-V converter, IV-119
 12-to-9 V, 7.5, or 6 V, I-508
 12-to-16 V, III-747
 28-to-5 Vdc converter, V-127
 50+ V feed forward switch mode, I-495
 50+ V push-pull switched mode, I-494
 100 MHz, II-130
 100 V-to-10.25 A switch mode, I-501
 800-to-1000 MHz scanner converter, V-122
 ac-to-dc converters, I-165
 fixed power supplies, IV-395
 full-wave, IV-120
 high-impedance precision rectifier, I-164
 analog-to-digital (*see* analog-to-digital conversion)
 ATV downconverter, V-125, V-126
 ATV rf receiver/converter, IV-420
 BCD-to-analog, I-160
 BCD-to-parallel, multiplexed, I-169
 buck/boost, III-113
 calculator-to-stopwatch, I-153
 capacitance-to-pulse width, II-126
 crystal-controlled, one-chip, V-117
 current-to-frequency, IV-113
 wide-range, I-164
 current-to-voltage, I-162, I-165, V-127
 grounded bias and sensor, II-126
 photodiode, II-128
 dc automobile power adapter, V-70
 dc-to-dc, IV-118, V-119, V-128
 1-to-5 V, IV-119
 3-to-5 V battery, IV-119
 3-to-25 V, III-744, IV-118
 bipolar, no inductor, II-132
 fixed 3- to 15-V supply, IV-400
 isolated +15V, III-115
 push-pull, 400 V/60 W, I-210
 regulating, I-210, I-211, II-125, III-121
 step-up/step-down, III-118
 dc/ac inverter, V-669
 dc/dc converter, V-669
 digital-to-analog (*see* digital-to-analog conversion)
 fixed power supply, III-470
 flyback, I-211
 self oscillating, I-170, II-128, III-748
 voltage, high-efficiency, III-744
 frequency, I-159, V-123
 frequency-to-voltage (*see* frequency-to-voltage conversion)
 high-to-low-impedance, I-41
 intermittent converter, power saver, IV-112
 IR-pulse-to-audio converter, V-224
 light intensity-to-frequency, I-167
 line-voltage-to-multimeter adapter, V-312
 logarithmic
 fast-action, I-169
 temperature-compensated, V-127
 low-frequency, III-111
 ohms-to-volts, I-168
 oscilloscope, I-471
 period-to-voltage, IV-115
 pico-ampere, 70 V with gain, I-170
 PIN photodiode-to-frequency, III-120
 polar-to-rectangular
 converter/pattern generator, V-288
 polarity, I-166
 positive-to-negative, III-112, III-113
 power supplies, inductorless, V-456
 pulse height-to-width, III-119
 pulse train-to-sinusoid, III-122
 pulse width-to-voltage, III-117
 radio beacon converter, IV-495
 rectangle-to-triangle waveform, IV-116-117
 regulated 15-V_{out} 6-V driven, III-745
 resistance-to-voltage, I-161-162
 rf converters, IV-494-501
 ATV receiver/converter, 420 MHz, low-noise, IV-496, IV-497
 radio beacon converter, IV-495
 receiver frequency-converter stage, IV-499
 SW converter for AM car radio, IV-500

conversion and converters (cont.)
two-meter, IV-498
up-converter, TVRO subcarrier reception, IV-501
VLF converter, IV-497
WWW-to-SW converter, IV-499
receiving converter, 220 MHz, IV-500

RGB-composite video signals, III-714
RMS-to-dc, II-129, I-167
50-MHz thermal, III-117
RGB-to-NTSC, IV-611
sawtooth wave converter, IV-114
scanner converter, V-800-to-1000 MHz, V-122
shortwave, III-114, V-118
simple LF, I-546
sine-to-square wave, I-170, IV-120, V-124, V-125, V-569, V-570
square-to-sine wave, III-118
square-to-triangle wave, TTL, II-123
temperature-to-digital, V-123
temperature-to-frequency, I-168, V-121
temperature-to-time, III-632-633
transverter, V-2-to-6 meter, V-124
triangle-to-sine wave, II-127
TTL-to-MOS logic, II-125, I-170
two-wire to four-wire audio, II-14
unipolar-to-dual voltage supply, III-743

video converters
a/d and d/a, IV-610-611
RGB-to-NTSC, IV-611
VLF converters, I-547, V-121
rf converter, IV-497
voltage (see voltage converters)
voltage multipliers, V-668-669, V-668

WWV converter, car radios, V-119
WWW-to-SW rf converter, IV-193

cool-down circuit, V-354, V-357
coprocessor socket debugger, III-104
countdown timer, II-680
counters (see also dividers), II-133-139, III-123-130, V-129-133
analog circuit, II-137
attendance, II-138
binary, II-135
divide-by-N
1+ GHz, IV-155
1.5+ divide-by-n, IV-156
CMOS programmable, I-257
7490-divided-by-n, IV-154
divide-by-odd number, IV-153
frequency counters
2 MHz, V-130-131
10 MHz, V-132-133, V-132
preamp, V-24
frequency dividers, I-258, II-251, II-254, III-213-218, III-340, III-768
1.2 GHz, III-129
10-MHz, III-126
clock input, IV-151

decade, I-259
divide-by-1.5, III-216
low-cost, III-124
low-frequency, II-253
preamp, III-128
programmable, IV-152-153
staircase generator and, I-730
tachometer and, I-310
geiger, I-536-537, V-217-219
microfarad counter, IV-275
minimum/maximum selector, four-input, V-332
odd-number divider and, III-217
preamplifier, oscilloscope, III-438
precision frequency, I-253
programmable, low-power wide-range, III-126

ring counters
20 kHz, II-135
incandescent lamp, I-301
low-cost, I-301
low-power pulse circuit, IV-437
SCR, III-195
variable timing, II-134

time base, function generators, I Hz, IV-201

universal
10-MHz, I-255, II-139
40-MHz, III-127
up/down counters
8-digit, II-134
extreme count freezer, III-125
XOR gate, III-105

coupler circuits
linear couplers
ac analog, II-412
analog, II-413
dc, II-411
optocoupler, instrumentation, II-417
optical couplers/optocouplers, V-407
CMOS design, III-414
interface circuits, V-406-407
linear, instrumentation, II-417
stable, II-409
TTL design, III-416
photon, II-412
transmitter oscilloscope for CB signals, I-473

courtesy lights (see automotive circuits)
CRO doubler, III-439
cross fader, II-312
cross-hatch generator, color TV, III-724
crossover networks, II-35
5V, I-518
ac/dc lines, electronic, I-515
active, I-172
asymmetrical third order
Butterworth, I-173
electronic circuit for, II-36
crowbars, I-516

electric, III-510
electronic, II-99
SCR, II-496

crystal oscillators (see also oscillators), I-180, I-183-185, I-195, I-198, II-140-151, III-131-140, IV-121-128, V-134-140
1-to-20 MHz, TTL design, IV-127
1-to-4 MHz, CMOS design, IV-125
10 MHz, II-141
10-to-150 kHz, IV-125
10-to-80 MHz, IV-125
50-to-150 MHz, IV-126
96 MHz, I-179
150-to-30,000 kHz, IV-126
330 MHz, IV-125
activity tester, V-138
aperiodic, parallel-mode, I-196
basic design, V-135
bridge, crystal-controlled, IV-127
Butler oscillator, I-182
calibrator, 100 kHz, I-185, IV-124
ceramic, 10 MHz, varactor tuned, II-141
clock, micropower design, IV-122
CMOS crystal oscillators, I-187, III-134
1-to-4 MHz, IV-125
Colpitts crystal oscillators, I-194, I-572, II-147
1-to-20 MHz, IV-123
frequency checker, IV-301
harmonic, I-189-190
two-frequency, IV-127
crystal-controlled oscillator as, II-147
crystal-stabilized IC timer for subharmonic frequencies, II-151
crystal tester, I-178, I-186, II-151
doubler and, I-184
easy start-up, III-132
FET, 1 MHz, II-144
fundamental-frequency, III-132
Hartley oscillator, V-140
hex-buffer, V-136
high-frequency, I-176, II-148
high-frequency signal generator as, II-150
IC-compatible, II-145
impedance checker, V-136
LO for SSB transmitter controlled by, II-142
low-frequency, I-184, II-146, V-135
10 kHz to 150 kHz, II-146
low-noise, II-145
marker generator, III-138
mercury cell crystal-controlled oscillator as, II-149
OF-1 HI oscillator, international, I-197
OF-1 LO oscillator, international, I-189
overtone oscillators, I-176, I-177, I-180, I-183, I-186, II-146, III-146

50 MHz to 100 MHz, I-181
 100 MHz, IV-124
 crystal, I-176, I-180, II-146
 crystal switching, I-183
 fifth-overtone, I-182
 third-overtone oscillator, IV-123
 Pierce oscillator, V-140
 1-MHz, III-134
 crystal, I-195, II-144
 harmonic, I-199, II-192
 JFET, I-198
 low-frequency, III-133
 quartz, two-gate, III-136
 reflection oscillator, crystal-controlled, III-136
 Schmitt trigger, I-181
 signal source controlled by, II-143
 sine-wave oscillator, I-198
 stable low-frequency, I-198
 standard, 1 MHz, I-197
 temperature-compensated, I-187, II-142, III-137
 test circuit, V-139
 third-overtone, I-186, IV-123
 time base, III-133, IV-128, V-137, V-138
 TTL design, I-179, IV-127
 TTL-compatible, I-197
 transistorized, I-188
 tube-type, I-192
 VHF crystal oscillator, III-138-140
 voltage-controlled (VCO), III-135, IV-124
 wide-range, V-139
 crystal switching, overtone oscillator with, I-183
 current analyzer, auto battery, I-104
 current booster, I-30, I-35
 current collector head amplifier, II-11, II-295
 current feedback amp, V-100 mA at 100 MHz, V-25
 current limiter, V-146
 inrush current, V-358
 current loops
 4-to-20-mA converter, IV-111
 controller, SCR design, IV-387
 current meters and monitors, I-203, II-152-157, III-255, III-338, IV-284, V-144-146
 alarm and current monitor, III-338
 ac current indicator, IV-290
 current sensing in supply rails, II-153
 electrometer amplifier with overload protection, II-155
 Hall-effect sensors, III-255, IV-284
 high-gain current sensor, IV-291
 line-current monitor, III-341
 picoammeter, I-202, II-154, II-157, III-338
 guarded input, II-156
 range ammeter, six-decade, II-153, II-156
 current readout, rf, I-22
 current sensing, supply rails, II-153
 current sink, I-206
 1 mA for fixed power supplies, IV-402
 voltage-controlled, IV-629
 current sources, I-205, I-697, V-141-143
 0-to-200-nA, IV-327
 bilateral, III-469, I-694-695, V-143
 bipolar sources
 inverting, I-697
 noninverting, I-695
 constant, I-697, III-472
 fixed power supplies
 bootstrapped amp, IV-406
 differential-input, fast-acting, IV-405
 low-current source, IV-399
 limiter, V-146
 low-resistance measurements, V-142
 negative, V-143
 offset-adjusting, V-145
 positive, V-142
 precision, I-205, I-206
 regulator, variable power supply, III-490
 variable power supplies, voltage-programmable, IV-420
 voltage-controlled, grounded source/load, III-468
 current-limiting regulator, V-458
 current-shunt amplifiers, III-21
 current-to-frequency converter, IV-113
 wide range, I-164
 current-to-voltage amplifier, high-speed, I-35
 current-to-voltage converter, I-162, I-165, V-127
 grounded bias and sensor in, II-126
 photodiode, II-128
 curve tracer, V-300
 diodes, IV-274
 FET, I-397
 CW-related circuits
 CW/SSB receiver, V-80- and 40-meter, V-499
 filter, razor sharp, II-219
 keying circuits, IV-244
 offset indicator, IV-213
 SSB/CW product detector, IV-139
 transceiver, 5 W, 80-meter, IV-602
 transmitters
 1-W, III-678
 20-M low-power, V-649
 40-M, III-684, V-648
 902-MHz, III-686
 HF low-power, IV-601
 QRP, III-690
 cyclic A/D converter, II-30

D

Dark-activated (*see* light-controlled circuits)
 darkroom equipment (*see* photography-related circuits)
 Darlington amplifier, push-pull, V-22
 Darlington regulator, variable power supplies, IV-421
 data-manipulation circuits, IV-129-133
 acquisition circuits, IV-131
 CMOS system, II-117
 four-channel, I-421
 high-speed system, II-118
 analog-signal transmission isolator, IV-133
 link, IR type, I-341
 processor, low-frequency, IV-132
 read-type circuit, 5 MHz, phase-encoded, II-365
 receiver, carrier-current circuit design, IV-93
 receiver/message demuxer, three-wire, IV-130
 selector, RS-232, III-97
 separator, floppy disk, II-122
 transmission circuits, IV-92
 dc adapter/transceiver, hand-held, III-461
 dc generators, high-voltage, III-481
 dc motors (*see also* motor control circuits)
 direction control, I-452
 driver controls
 fiberoptic control, II-206
 fixed speed, III-387
 servo, bipolar, II-385
 reversible, II-381, III-388
 speed control, I-452, I-454, III-377, III-380, III-388
 dc restorer, video, III-723
 dc servo drive, bipolar control input, II-385
 dc static switch, II-367
 dc-to-ac inverter, V-247, V-669
 dc-to-dc conversion, IV-118, V-669
 1-to-5 V, IV-119
 3-to-5 V battery, IV-119
 3-to-25 V, III-744, IV-118
 3.3- and 5-V outputs, V-128
 3 A, no heatsink, V-119
 bipolar, no inductor, II-132
 fixed 3- to 15-V supply, IV-400
 isolated +15V, III-115
 push-pull, 400 V/30 W, I-210
 regulating, I-210, I-211, II-125, III-121
 step-up/step-down, III-118
 dc-to-dc SMPS variable power supply, II-480
 debouncers, III-592, IV-105, V-316
 auto-repeat, IV-106
 computer applications, IV-105, IV-106, IV-108

- debouncers (*cont.*)
 - flip-flop, IV-108
 - debugger, coprocessor sockets, III-104
 - decibel level detector, audio, with meter driver, III-154
 - decoders, II-162, III-141-145
 - 10.8 MHz FSK, I-214
 - 24-percent bandwidth tone, I-215
 - direction detector, III-144
 - dual-tone, I-215
 - encoder and, III-144
 - frequency division multiplex stereo, II-169
 - PAL/NTSC, with RGB input, III-717
 - radio control receiver, I-574
 - SCA, I-214, III-166, III-170
 - second-audio program adapter, III-142
 - sound-activated, III-145
 - stereo TV, II-167
 - time division multiplex stereo, II-168
 - tone alert, I-213
 - tone dial, I-630, I-631
 - tone decoders, I-231, III-143
 - 24% bandwidth, I-215
 - dual time constant, II-166
 - relay output, I-213
 - tone-dial decoder, I-630, I-631
 - video, NTSC-to-RGB, IV-613
 - weather-alert detector/decoder, IV-140
 - degitcher circuit, IV-109, V-336-337
 - delay circuits/ delay units, III-146-148, V-147-148
 - adjustable, III-148
 - analog delay line, echo and reverb effects, IV-21
 - door chimes, I-218
 - echo and reverb effects, analog delay line, IV-21
 - exit delay for burglar alarms, V-10
 - headlights, I-107, II-59
 - leading-edge, III-147
 - long duration time, I-217, I-220
 - power-on delay, V-148
 - precision solid state, I-664
 - pulse, dual-edge trigger, III-147
 - pulse generator, II-509
 - relay, ultra-precise long time, II-211
 - timed delay, I-668, II-220
 - constant-current charging, II-668
 - windshield wiper delay, I-97, II-55
 - demodulators, II-158-160, III-149-150
 - 5V FM, I-233
 - 12V FM, I-233
 - 565 SCA, III-150
 - AM demodulator, II-160
 - chroma, with RGB matrix, III-716
 - FM demodulator, I-544, II-161, V-151, V-155
 - narrow-band, carrier detect, II-159
 - linear variable differential transformer driver, I-403
 - LVDI demodulators, II-337, III-323-324
 - stereo, II-159
 - telemetry, I-229
 - demonstration comparator circuit, II-109
 - demultiplexers (*see also* multiplexers), III-394
 - differential, I-425
 - eight-channel, I-426, II-115
 - descramblers, II-162
 - gated pulse, II-165
 - outband, II-164
 - sine wave, II-163
 - derived center-channel stereo system, IV-23
 - detect-and-hold circuit, peak, I-585
 - detectors (*see* fluid and moisture; light-controlled circuits; motion and proximity; motor control circuits; peak detectors; smoke detectors; speed controllers; temperature-related circuits; tone controls; zero-crossing)
 - deviation meter, IV-303
 - dial pulse indicator, telephone, III-613
 - dialers, telephone
 - pulse-dialing telephone, III-610
 - pulse/tone, single-chip, III-603
 - telephone-line powered repertory, I-633
 - tone-dialing telephone, III-607
 - dice, electronic, I-325, III-245, IV-207
 - differential amplifiers, I-38, III-14, V-18, V-21
 - high-impedance, I-27, I-354
 - high-input high-impedance, II-19
 - instrumentation, I-347, III-283
 - instrumentation, biomedical, III-282
 - programmable gain, III-507
 - two op amp bridge type, II-83
 - differential analog switch, I-622
 - differential capacitance measurement circuit, II-665
 - differential hold, I-589, II-365
 - differential multiplexers
 - demultiplexer/, I-425
 - wide band, I-428
 - differential thermometer, II-661, III-638
 - differential voltage or current alarm, II-3
 - differentiators, I-423, V-347
 - negative-edge, I-419
 - positive-edge, I-420
 - digital-capacitance meter, II-94
 - digital-IC, tone probe for testing, II-504
 - digital-frequency meter, III-344
 - digital-logic probe, III-497
 - digital audio tape (DAT), ditherizing circuit, IV-23
 - digital circuits, V-156-160
 - audio selector, V-158
 - BCD rotary switch, V-160
 - capacitance control, V-159
 - entry lock, V-157
 - inverters, V-246
 - potentiometer control, V-158
 - resistance control, V-159
 - digital multimeter (DMM), IV-291, V-291
 - digital voltmeters (DVM), III-4
 - 3.5-digit, I-713, III-761
 - 3.75-digit, I-711
 - 4.5-digit, I-717, III-760
 - auto-calibrate circuit, I-714
 - automatic nulling, I-712
 - calibrated circuit, DVM auto, I-714
 - interface and temperature sensor, II-647
 - LED readout, IV-286
 - digital-to-analog converters, I-241, II-179-181, III-163-169, V-120
 - 0-to -5V output, resistor terminated, I-239
 - 3-digit, BCD, I-239
 - 8-bit, I-240-241
 - high-speed, I-240
 - output current to voltage, I-243
 - to 12-bit, two, II-180
 - 9-bit, CMOS, III-167
 - 10-bit, I-238
 - 4-quad, offset binary coding, multiplying, I-241
 - +10V full scale bipolar, I-242
 - +10V full scale unipolar, I-244
 - 12-bit
 - binary two's complement, III-166
 - precision, I-242
 - variable step size, II-181
 - 14-bit binary, I-237
 - 16-bit binary, I-243
 - fast voltage output, I-238
 - high-speed voltage output, I-244
 - multiplying, III-168
 - octal converter, V-350
 - output amplifier, four-channel, III-165
 - video converter, IV-610-611
 - digitizer, tilt meter, III-644-646
 - dimmer switches, I-369, II-309, IV-247, IV-249
 - 800 W, II-309
 - dc lamp, II-307
 - four-quadrant, IV-248-249
 - halogen lamps, III-300
 - headlight, II-57, II-63
 - low-cost, I-373
 - soft-start, 800-W, I-376, III-304
 - tandem, II-312
 - triac, I-375, II-310, III-303
- diode emitter driver, pulsed
 - infrared, II-292
- diode tester, I-402, II-343, III-402
 - go/no-go, I-401
 - zener diodes, I-406
- diode-matching circuit, IV-280

- dip meters, I-247, II-182-183
 - basic grid, I-247
 - dual gate IGFET, I-246
 - little dipper, II-183
 - varicap tuned FET, I-246
- diplexer/mixer, IV-335
- direction detectors/finders, IV-146-149
- compasses
 - digital design, IV-147
 - Hall effect, III-258
 - talking Hall effect, V-221
- decoder, III-144
- directional-signals monitor, auto, III-48
- optical direction discriminator, V-408
- thermally operated, IV-135
- radio-signal direction finder, IV-148-149
- direction-of-rotation circuit, III-335
- directional-signals monitor, auto, III-48
- disco strobe light, II-610
- discrete current booster, II-30
- discrete sequence oscillator, III-421
- discriminators
 - multiple-aperture, window, III-781
 - pulse amplitude, III-356
 - pulse width, II-227
 - window, III-776-781
- display circuits, II-184-188, III-170-171, V-161-167
 - 31/2 digit DVM common anode, II-713
 - 60 dB dot mode, II-252
 - audio, LED bar peak program meter, II-254
 - bar-graph indicator, ac signals, II-187
 - brightness control, III-316
 - cascaded counter/display driver, V-163
 - common cathode, 4033-based, V-162
 - common-anode, V-167
 - comparator and, II-105
 - exclamation point, II-254
 - expanded scale meter, dot or bar, II-186
 - fluorescent tube, V-167
 - gas-discharge tube, V-167
 - LCD
 - 7-segment, V-165
 - large-size, V-164
 - LED
 - 7-segment, V-166
 - audio, peak program meter, II-254
 - common-cathode, V-167
 - driver, II-188
 - leading-zero suppressed, V-165
 - two-variable, III-171
 - oscilloscope, eight-channel voltage, III-435
- dissolver, lamp, solid-state, III-304
- distribution circuits, II-35
- distribution amplifiers
 - audio, I-39, II-39, V-59
 - signal, I-39
- dividers, IV-150-156
 - binary chain, I-258
 - divide-by-2-or-3 circuit, IV-154
 - divide-by-N
 - 1+ GHz, IV-155
 - 1.5+ divide-by-n, IV-156
 - CMOS programmable, I-257
 - 7490-divided-by-n, IV-154
 - divide-by-odd number, IV-153
 - frequency dividers, I-258, II-251, II-254, III-213-218, III-340, III-768, V-343
 - 1.2 GHz, III-129
 - 10-MHz, III-126
 - clock input, IV-151
 - decade, I-259
 - divide-by-1.5, III-216
 - low-cost, III-124
 - low-frequency, II-253
 - preamp, III-128
 - programmable, IV-152-153
 - staircase generator and, I-730
 - tachometer and, I-310
 - mathematical, one trim, III-326
 - odd-number counter and, III-217
 - pulse, non-integer programmable, II-511, III-226
- Dolby noise reduction circuits, III-399
- decode mode, III-401
- encode mode, III-400
- doorbells/chimes (*see* annunciators)
- door-open alarm, II-284, III-46, III-256
- door opener, III-366
- door minder security circuit, V-5
- dot-expanded scale meter, II-186
- double-sideband suppressed-carrier modulator, III-377
- rf, II-366
- doublers
 - 0 to 1MHz, II-252
 - 150 to 300 MHz, I-314
 - audio-frequency doubler, IV-16-17
 - broadband frequency, I-313
 - CRO, oscilloscope, III-439
 - crystal oscillator, I-184
 - frequency, I-313, III-215
 - broadband, I-313
 - digital, III-216
 - GASFET design, IV-324
 - single-chip, III-218
 - low-frequency, I-314
 - voltage doublers, III-459, IV-635
 - cascaded, Cockcroft-Walton, IV-635
 - triac-controlled, III-468
- downbeat-emphasized metronome, III-353-354
- drivers and drive circuits, I-260, II-189-193, III-172-175, IV-157-160
- 50 ohm, I-262
- alarm driver, high-power, V-2
- bar-graph driver
 - LED, II-188
 - transistorized, IV-213
- BIFET cable, I-264
- bridge loads, audio circuits, III-35
- capacitive load, I-263
- Christmas lights driver, IV-254
- coaxial cable, I-266, I-560
- five-transistor pulse boost, II-191
- coil, current-limiting, III-173
- CRT deflection yoke, I-265
- demodulator, linear variable
 - differential transformer, I-403
- diode-emitter driver, II-292
- FET driver, IV-241
- fiberoptic, 50-Mb/s, III-178
- flash slave, I-483
- glow-plug, II-52
- high-impedance meter, I-265
- indicator lamp driver, III-413
- instrumentation meter, II-296
- lamp drivers, I-380
 - flip-flop independent design, IV-160
 - low-frequency flasher/relay, I-300
 - optical coupling, III-413
 - neon lamps, I-379
 - short-circuit-proof, II-310
- laser diode, high-speed, I-263
- LED drivers
 - bar graph, II-188
 - emitter/follower, IV-159
- line drivers, I-262
 - 50-ohm transmission, II-192
 - 600-ohm balanced, II-192
 - audio, V-54
- piezoelectric driver, V-440
- 555 oscillator, V-441
- CMOS, V-440
- micropositioner, V-440
- full rail excursions in, II-190
- high-output 600-ohm, II-193
- synchronized, III-174
- video amplifier, III-710
- line-synchronized, III-174
- load drivers
 - audio, III-35
 - timing threshold, III-648
- I.VDT demodulator and, II-337, III-323-324
- meter drivers, II-296
 - rf amplifier, I-MHz, III-545
- microprocessor triac array, II-410
- motor drivers (*see* motor control, drivers)
 - multiplexer, high-speed line, I-264
 - neon lamp, I-379
 - op amp power driver, IV-158-159
 - optoisolated, high-voltage, III-482
 - power driver, op amp, IV-158-159
 - pulsed infrared diode emitter, II-292

drivers and drive circuits (*cont.*)
 relay, I-264
 delay and controls closure time, II-530
 low-frequency, I-300
 with strobe, I-266
 rf drivers, low-distortion, II-538
 RS-232C, low-power, III-175
 shift register, I-418
 solenoid, I-265, III-571-573
 SSB, low-distortion 1.6 to 30MHz, II-538
 stepping motor, II-376, III-390, IV-349, IV-350
 three-phase motor driver, II-383
 totem-pole, with bootstrapping, III-175
 transformer driver, I-403
 triac array driver, II-410
 two-phase motor driver, I-456, II-382
 VCO driver, op-amp design, IV-362
 drop-voltage recovery for long-line systems, IV-328
 drum sound effect, II-591
 dual-tone decoding, II-620
 dual-tracking regulator, III-462
 duplex line amplifier, telephonic, III-616
 duty-cycle related circuits
 detector, IV-144
 meter, IV-275
 monitor, III-329
 multivibrator, 50-percent, III-584
 oscillators
 50-percent, III-426
 variable, fixed-frequency, III-422
 DVM adapter for PC, V-310
 dwell meters
 breaker point, I-102
 digital, III-45

E

car protector, V-482
 eavesdropper, telephone, wireless, III-620
 echo effect, analog delay line, IV-21
 edge detector, I-266, III-157
 EEPROM pulse generator, 5V-powered, III-99
 EKG simulator, three-chip, III-350
 elapsed-time timer, II-680
 electric-fence charger, II-202
 electric-vehicle battery saver, III-67
 electrolytic-capacitor reforming circuit, IV-276
 electromagnetic-field sensor, V-308
 electrometer, IV-277
 amplifier, overload protected, II-155
 electrostatic detector, III-337
 emergency lights, I-308, I-378, IV-250
 emissions analyzer, automotive exhaust, II-51
 emitter-follower circuit,

complementary/bilateral ac, V-353
 emulators, II-198-200
 capacitance multiplier, II-200
 JFET ac coupled integrator, II-200
 resistor multiplier, II-199
 simulated inductor, II-199
 encoders
 decoder and, III-14
 telephone handset tone dial, I-634, III-613
 tone encoders, I-67, I-629
 two-wire, II-364
 two-tone, V-629
 enlarger timer, II-446, III-445
 envelope detectors, III-155
 AM signals, IV-142
 full-wave, V-152
 low-level diodes, IV-141
 envelope generator/modulator, musical, IV-22
 EPROM, Vpp generator for, II-114
 equalizers, I-671, IV-18
 octave equalizer, V-353
 ten-band, graphic, active filter in, II-684
 ten-band, octave, III-658
 equipment-on reminder, I-121
 exhaust emissions analyzer, II-51
 exit delay for burglar alarms, V-10
 expanded-scale meters
 analog, III-774
 dot or bar, II-186
 expander circuits (*see* compressor/expander circuits)
 extended play circuit, tape-recorders, III-600
 extactor, square-wave pulse, III-584

F

555 timer circuits (*see also* timers)
 alarm based on 555 timer, V-11
 astable, low-duty cycle, II-267
 beep transformer, III-566
 FM modulator, V-387
 integrator to multiply, II-669
 missing-pulse detector, V-152
 ramp generator, V-203
 RC audio oscillator from, II-567
 square wave generator using, II-595
 fader circuits, II-42, II-312, IV-17, V-658
 fail-safe semiconductor alarm, III-6
 fans
 infrared heat-controlled fan, IV-226
 speed controller, automatic, III-382
 thermostatic switch, V-68
 Fahrenheit thermometer, I-658
 fault monitor, single-supply, III-495
 fax circuits, V-171-173
 modem/fax protector for two computers, V-482
 fax/telephonic switch, remote-controlled, IV-552-553
 feedback oscillator, I-67
 fence chargers, II-201-203
 battery-powered, II-202
 electric, II-202
 solid-state, II-203
 FET circuits
 amplifier, offset gate bias, V-22
 dc controlled switch, V-592
 hexFET switch, V-592, V-593
 dual-trace scope switch, II-432
 input amplifier, II-7
 microphone mixer, V-363, V-364
 probe, III-501
 voltmeter, III-765, III-770
 fiberoptics, II-204-207, III-176-181
 driver, LED, 50-Mb/s, III-178
 interface for, II-207
 link, I-268, I-269, I-270, III-179
 motor control, dc, II-206
 receivers
 10 MHz, II-205
 50-Mb/s, III-181
 digital, III-178
 high-sensitivity, I-270
 low-cost, 100-M baud rate, III-180
 low-sensitivity, I-271
 very-high-sensitivity, low-speed, 3nW, I-269
 repeater, I-270
 speed control, II-206
 transmitter, III-177
 field disturbance sensor/alarm, II-507
 field-strength meters, II-208-212, III-182-183, IV-164-166, V-174-176
 1.5-150 MHz, I-275
 adjustable sensitivity indicator, I-274
 amplified field, V-175
 high-sensitivity, II-211
 LF or HF, II-212
 microwave, low-cost, I-273
 remote, V-175
 rf sniffer, II-210
 sensitive, I-274, III-183
 signal-strength meter, IV-166
 simple design, three versions, V-176
 transmission indicator, II-211
 tuned, I-276
 UHF fields, IV-165
 untuned, I-276
 filter circuits, II-213-224, III-184-192, IV-167-177, V-177-191
 active (*see* active filters)
 antialiasing/sync-compensation, IV-173
 audio filters
 biquad, I-292-293, III-185
 tunable, IV-169
 audio range filter, V-190
 bandpass (*see* bandpass filters)
 band-reject, active, II-401
 biquad, I-292-293
 audio, I-292-293, III-185
 RC active bandpass, I-285, V-190

bridge filter, twin-T,
 programmable, II-221
 Butterworth
 high-pass, fourth-order, I-280,
 V-179
 low-pass, fourth-order, V-180,
 V-181
 Chebyshev (*see* Chebyshev filters)
 CW, razor-sharp, II-219
 dynamic filter, III-190
 four-output filter, V-182
 full wave rectifier and averaging,
 I-229, V-191
 high-pass (*see* high-pass filters)
 IF filters, narrow-band, V-189
 L filters, V-181
 low-pass (*see* low-pass filters)
 networks of, I-291
 noise, dynamic, III-190
 noisy signals, III-188
 notch filters, I-283, II-397-403,
 III-402-404
 4.5 MHz, I-282
 550 Hz, II-399
 1800 Hz, II-398
 active band reject, II-401
 adjustable Q, II-398, V-179
 audio, II-400
 bandpass and, II-223
 high-Q, III-404, V-178
 selectable bandwidth, I-281
 three-amplifier design, I-281
 tunable, II-399, II-402, V-179
 passive-bridged differentiator,
 II-403
 hum-suppressing, I-280
 op amp, II-400
 twin-notch for 1 kHz, V-183
 twin-T, III-403
 shortwave receivers, V-185
 Wien bridge, II-402
 passive L filters, V-181
 passive PI filters, V-181
 passive T filters, V-190
 Pi filters, V-181
 programmable, twin-T bridge, II-221
 rejection, I-283
 ripple suppressor, IV-175, IV-396
 rumble, III-192, III-660, IV-175
 LM387 in, I-297
 turntable, IV-170
 rumble/scratch, III-660
 Sallen-Key filters
 10 kHz, I-279
 500 Hz bandpass, I-291
 current-driven, V-189
 low-pass, active, IV-177
 low-pass, equal component, I-292
 scratch filters, III-189, III-660,
 IV-175
 LM287 in, I-297
 simulated inductor, V-180
 speech filters
 bandpass, 300 Hz-3 kHz, I-295
 second-order, 300-to-3,400 Hz,
 IV-174
 two-section, 300-to-3,000 Hz,
 IV-174
 speech-range filter, bandpass,
 V-185
 state-variable filters, II-215, III-189
 multiple outputs, III-190
 second-order, 1 kHz, Q/10, I-293
 universal, I-290
 T filters, V-190
 tone filter, V-1 kHz, V-191
 turbo, glitch free, III-186
 twin-T bridge filter, II-221
 Wien-bridge, III-659
 variable Q filter, V-183
 variable-frequency bandpass filter,
 V-186
 variable-state, universal, V-178
 voltage-controlled filters, III-187,
 IV-176
 fixed power supplies, III-457-477,
 IV-390-408
 12-VDC battery-operated 120-VAC,
 III-464
 +24 V, 1.5 A supply from +12 V
 source, IV-401
 +/- 35 V ac, IV-398
 +/- 35 V, 5 A, mobile, IV-407
 15 V isolated to 2,500 V supply,
 IV-407
 ac motors, IV-395
 automotive battery supply, +/-15 V
 and 5 V, IV-391
 auxiliary supply, IV-394
 bias/reference applications,
 auxiliary negative dc supply,
 IV-404
 bilateral current source, III-469
 bridge rectifier, IV-398
 charge pool, III-469
 charge pump, regulated, IV-396
 constant-current source, safe,
 III-472
 converter, III-470
 5V-to-isolated 5V at 20mA, III-474
 ac-to-dc, IV-395
 dc-to-dc, 3-to-15 V, IV-400
 current sink, 1 mA, IV-402
 current sources, IV-399, IV-405,
 IV-406
 dc adapter/transceiver, hand-held,
 III-461
 dual-tracking regulator, III-462
 GASFET power supply, IV-405
 general-purpose, III-465
 inverter, 12 V input, IV-395
 isolated feedback, III-460
 LCD display power supply, IV-392,
 IV-403
 linear regulator, low-cost, low-
 dropout, III-459
 low-current source, IV-399
 low-power inverter, III-466
 negative rail, GET, with CMOS
 gates, IV-408
 negative supply from +12 V source,
 IV-401
 negative voltage from positive
 supply, IV-397
 output stabilizer, IV-393
 portable-radio 3 V power supply,
 IV-397
 positive and negative voltage
 power supplies, IV-402
 pnp regulator, zener increases
 voltage output, II-484
 programmable, III-467
 rectifiers, III-471, IV-398
 regulated supplies, III-462, III-463,
 IV-401
 ripple suppressor, IV-396
 RTTY machine current supply,
 IV-400
 stabilizer, CMOS diode network,
 IV-406
 switching supplies, III-458, III-473,
 IV-403, IV-404, IV-408
 three-rail, III-466
 uninterruptible +5V, III-477
 voltage doubler, III-459, III-468
 voltage regulators (*see* voltage
 regulators)
 voltage-controlled current
 source/grounded source/load,
 III-468
 fixed-frequency generator, III-231
 flame ignitor, III-362
 flame monitor, III-313
 flash/flashbulb circuits (*see*
 photography-related circuits)
 flashers and blinkers (*see also* light-
 controlled circuits;
 photography-related circuits), I-
 304, II-225, III-193-210, IV-178-
 183, V-192-197
 1.5 V, minimum power, I-308
 1 kW flip-flop, II-234
 1A lamp, I-306
 2 kW, photoelectric control in, II-232
 3V, I-306
 ac, III-196
 alternating, I-307, II-227
 astable multivibrator, III-196
 auto, I-299
 automatic safety, I-302
 automotive turn signal, sequential,
 I-109
 bar display with alarm, I-252
 barricade, I-299
 boat, I-299
 brake light flasher, V-69
 Christmas tree light flasher, V-197,
 V-264-265
 CMOS, III-199

flashers and blinkers (*cont.*)
 dc, adjustable on/off timer, I-305
 dual LED CMOS, I-302
 electronic, II-228
 emergency lantern, I-308
 fast-action, I-306
 flash light, 60-W, III-200
 flicker light, IV-183
 flip-flop, I-299
 four-parallel LED, I-307
 headlight flasher, V-73
 high-efficiency parallel circuit, I-308
 high-voltage, safe, I-307
 high-power battery operated, II-229
 incandescent bulb, III-198, I-306
 LED flashers, IV-181, V-195, V-196
 2- to 10-LED, V-196
 alternating, III-198, III-200
 Christmas tree lights, V-197
 control circuit, IV-183
 dark-activated, V-195
 driver, V-194
 multivibrator design, IV-182
 PUT used in, II-239
 ring-around, III-194
 sequential, reversible-direction,
 IV-182
 three-year, III-194
 UJT used in, II-231
 low-current consumption, II-231
 low-voltage, I-305, II-226
 miniature transistorized, II-227
 minimum-component, III-201
 neon flashers, I-303
 five-lamp, III-198
 two-state oscillator, III-200
 tube, I-304
 oscillator/flashers
 high-drive, II-235
 low-frequency, II-234
 photographic flashes
 slave-flash trigger, SCR design,
 IV-380, IV-382
 time-delay flash trigger, IV-380
 relay driver, low-frequency lamp,
 I-300
 running lights, V-269
 SCR flashers, II-230, III-197
 chaser, III-197
 relaxation, II-230
 ring counter, III-195
 sequencer, V-263, V-264-265
 sequential, II-233, II-238, IV-181,
 V-193
 pseudorandom simulated, IV-179
 signal alarm, V-197
 single-lamp, III-196
 strobe alarm, IV-180
 telephone, II-629, IV-556, IV-558,
 IV-559, IV-561
 transistorized, I-303, II-236, III-200
 variable, I-308
 xenon light, IV-180
 flashlight finder, I-300
 flex switch, alarm sounder circuit,
 V-15
 flip-flops (*see* bistable
 multivibrators)
 flood alarm, I-390, III-206, IV-188
 flow-detectors, II-240-242,
 III-202-203
 air, II-242
 liquids, II-248, III-202-203
 low-rate thermal, III-203
 thermally based anemometer, II-241
 fluid and moisture detectors, I-388,
 I-390, I-442, II-243-248, III-204-
 210, IV-184-191, V-373-375
 acid rain monitor, II-245, V-371
 alarm, water-activated, V-374
 checker, III-209
 control, I-388, III-206
 cryogenic fluid-level sensor, I-386
 dual, III-207
 flood alarm, III-206, IV-188, V-374
 flow-of liquid, II-248, III-202-203
 full-bathtub indicator, IV-187
 full-cup detector for the blind,
 IV-189
 humidity, II-285-287, III-266-267
 indicator, II-244
 level of liquid, I-107, I-235, I-387, I-
 388, I-389, I-390, II-174, II-244,
 II-246, III-205, III-206, III-207,
 III-209, III-210, IV-186, IV-190,
 IV-191
 moisture detector, I-442, IV-188,
 V-375
 monitor, III-210
 plant water, II-245, II-248, III-208
 pump controller, single-chip, II-247
 rain alarm, II-244, IV-189
 sensor and control, II-246
 soil moisture, II-245, II-248, III-208
 temperature monitor, II-643, III-206
 water-leak alarm, IV-190
 windshield-washer level, I-107
 fluorescent lamps
 high-voltage power supplies; cold-
 cathode design, IV-411
 inverter, 8-W, III-306
 vacuum, fluorescent display, II-185
 flyback converters, I-211
 self oscillating, I-170, II-128, III-748
 voltage, high-efficiency, III-744
 flyback regulator, off-line, II-481
 FM-related circuits (*see also*
 radio/af circuits)
 5 V, I-233
 12 V, I-233
 clock radio, AM/FM, I-543
 demodulators, I-544, II-159, II-161,
 V-151
 IF amplifier with quadrature
 detector, TV sound IF, I-690
 generators, low-frequency, III-228
 modulators, V-366
 555-based circuit, V-367
 radio, I-545
 receivers
 27.145 MHz, V-495
 carrier-current circuit, III-80
 light-beam, V-259
 MPX/SCA receiver, III-530
 narrow-band, III-532
 optical receiver/transmitter, 50
 kHz, I-361
 zero center indicator, I-338
 SCA subcarrier adapter, V-536
 snooper, III-680
 speakers, remote, carrier-current
 system, I-140
 squelch circuit for AM, I-547
 stereo demodulation system, I-544
 transmitters, I-681, V-641
 27.125-MHz NBFM, V-637
 49-MHz, V-643
 infrared, voice-modulated pulse,
 IV-228
 light-beam, V-259
 multiplex, III-688
 one-transistor, III-687
 optical, I-367, II-417
 optical receiver/transmitter, 50
 kHz, I-361
 radio, V-648
 snooper, III-680
 stereo, V-575, V-580
 voice, III-678
 tuner, I-231, III-529
 wireless microphone, III-682, III-
 685, III-691
 FM/AM clock radio, I-543
 fog-light controller, automotive, IV-59
 foldback current, HV regulator
 limiting, II-478
 followers, III-211-212
 inverting, high-frequency, III-212
 noninverting, high-frequency, III-212
 source, photodiode, III-419
 unity gain, I-27
 voltage, III-212
 forward-current booster, III-17
 free-running multivibrators, II-485
 100 kHz, I-465
 programmable-frequency, III-235
 free-running oscillators, I-531
 square wave, I-615
 freezer, voltage, III-763
 freezer-meltdown alarm, I-13
 frequency comparators, II-109, III-88
 LED, II-110
 frequency control, telephone, II-623
 frequency converter, I-159
 frequency counters, III-340, III-768,
 IV-300, V-129-133
 1.2 GHz, III-129
 2 MHz, V-130-131
 10-MHz, III-126, V-132-133
 100 MHz, period and, II-136
 low-cost, III-124
 preamp, III-128, V-24

precision, I-253
 tachometer and, I-310
 frequency detectors, II-177, III-158
 beat indicator, I-336
 boundary detector, III-156
 comparator, III-88
 digital, III-158
 limit, frequency limit, II-177
 window, frequency window, III-777
 frequency dividers, I-258, II-251,
 II-254, III-213-218, III-340,
 III-768, V-343
 1.2 GHz, III-129
 10-MHz, III-126
 clock input, IV-151
 decade, I-259
 divide-by-1.5, III-216
 low-cost, III-124
 low-frequency, II-253
 preamp, III-128
 programmable, IV-152-153
 staircase generator and, I-730
 tachometer and, I-310
 frequency-division multiplex stereo
 decoder, II-169
 frequency doublers, I-313, III-215
 broadband, I-313
 digital, III-216
 GASFET design, IV-324
 low-frequency, I-314
 single-chip, III-218
 to 1MHz, II-252
 frequency generators, fixed-
 frequency, III-231
 frequency indicator, beat, I-336
 frequency inverter, III-297
 frequency meters, I-310, II-249-250,
 IV-282, IV-301
 analog, V-307
 audio-frequency meter, V-305,
 V-320
 audio, I-311
 linear, I-310
 low-cost, II-250
 power, II-250
 frequency multipliers, II-251, III-
 213-218, V-198-199
 counter, odd-number, III-217
 doubblers, I-313, III-215
 broadband, I-313
 digital, III-216
 GASFET design, IV-324
 single-chip, III-218
 low-frequency, I-314
 to 1MHz, II-252
 pulse-width, III-214
 tripler, nonselective, II-252
 frequency-boundary detector, III-156
 frequency oscillator, tunable, II-425
 frequency-ratio monitoring circuit,
 IV-202
 frequency-shift key (FSK)
 communications
 data receiver, III-533
 decoder, 10.8 MHz, I-214
 generator, low-cost design, III-227
 keying circuits, IV-245
 frequency synthesizer,
 programmable voltage
 controlled, II-265
 frequency-to-voltage converter,
 I-318, II-255-257, III-219-220
 dc, 10kHz, I-316
 digital meter, I-317
 optocoupler input, IV-193
 sample-and-hold circuit, IV-194
 single-supply design, IV-195
 zener regulated, I-317
 fuel gauge, automotive, IV-46
 full-wave rectifiers, IV-328, IV-650
 absolute value, II-528
 averaging filter, V-191
 op amp circuit, V-403
 precision, I-234, III-537
 silicon-controlled (SCR), I-375
 function generators (*see also* burst
 generators; sound generators;
 waveform generators), I-729,
 II-271, III-221-242, III-258-274,
 IV-196-202, V-200-207, V-309
 555 astable, low-duty cycle, II-267
 acoustic field generator, V-338-341,
 V-338
 AM broadcast-band signal
 generator, IV-302
 AM/FM signal generator, 455 kHz,
 IV-301
 astable multivibrators, II-269,
 II-510, II-597, III-196, III-224,
 III-233, III-237, III-238
 audio function generator, IV-197
 audio-frequency generator, V-416-
 417, V-416
 bistable multivibrators, I-133, I-
 299, I-395, II-367, II-465, III-103,
 IV-108, IV-651
 bistable multivibrators, I-133, II-465
 capacitance multiplier, V-205
 clock generator/oscillator, I-193,
 I-615
 complementary signals, XOR gate,
 III-226
 DAC controlled, I-722
 debouncer, IV-108
 emitter-coupled RC oscillator, II-266
 fixed-frequency, III-231
 flasher, I-299, II-234
 FM, low-frequency, III-228
 free-running multivibrator,
 programmable-frequency, III-235
 frequency-ratio monitoring circuit,
 IV-202
 frequency synthesizer,
 programmable voltage
 controlled, II-265
 FSK, low-cost, III-227
 harmonic generators, I-24, III-228,
 IV-649
 high-frequency, II-150
 inverter, III-103
 lamp driver, IV-160
 line/bar generator, video, V-662
 linear ramp, II-270
 linear triangle/square wave VCO,
 II-263
 logarithmic
 dynamic-range, V-201
 fast acting, V-202
 monostable multivibrators, I-465,
 III-229, III-230, III-235, III-237
 input lockout, I-464
 linear-ramp, III-237
 photocell, monostable, II-329
 positive-triggered, III-229
 TTL, monostable operation, I-464
 UJT, monostable operation, I-463
 video amplifier and comparator,
 II-268
 multiplying pulse width circuit,
 II-264
 multivibrators
 low-frequency, III-237
 single-supply, III-232
 nonlinear potentiometer outputs,
 IV-198
 one-shots, I-465
 digitally controlled, I-720
 precision, III-222
 retriggerable, III-238
 oscillator/amplifier, wide frequency
 range, II-262
 pattern generator/polar-to-rect.
 converter, V-288
 polynomial generator, V-287
 potentiometer-position V/F
 converter, IV-200
 precise wave, II-274
 programmed, I-724
 pseudo-random bit sequence
 generator, V-351
 pulse generators, II-508-511
 2-ohm, III-231
 300-V, III-521
 555-circuit, IV-439
 astable multivibrator, II-510
 clock, 60Hz, II-102
 CMOS short-pulse, III-523
 delayed-pulse, II-509, IV-440
 divider, programmable, II-511,
 III-226
 EEPROM, 5V-powered, III-99
 free running, IV-438
 interrupting pulse-generation,
 I-357
 logic, III-520
 logic troubleshooting applications,
 IV-436
 programmable, I-529
 sawtooth-wave generator and,
 III-241
 single, II-175
 train, pulse train, IV-202

- function generators (*cont.*)
- transistorized, IV-437
 - two-phase pulse, I-532
 - unijunction transistor design, I-530
 - very low-duty-cycle, III-521
 - voltage-controller and, III-524
 - wide-ranging, III-522
- quad op amp, four simultaneous synchronized waveform, II-259
- ramp generators, I-540, II-521-523, III-525-527, IV-443-447, 555 based, V-203
- accurate, III-526
 - integrator, initial condition reset, III-527
 - linear, II-270
 - variable reset level, II-267
 - voltage-controlled, II-523
- rf oscillator, V-530-531
- root extractor, V-207, V-288
- RS flip-flop, I-395
- sawtooth generators, V-491
- linear, V-205
 - triggered, V-204
- sawtooth and pulse, III-241
- Schmitt trigger, transistorized, V-204
- SCR, II-367
- self-retriggering timed-on generator, V-343
- signal generators, V-204
- AM broadcast band, IV-302
 - AM/FM, 455 kHz, IV-301
 - high-frequency, II-150
 - square-wave, III-583-585
 - staircase, III-586-588
 - two-function, III-234
- sine-wave generators, IV-505, IV-506, V-542, V-543, V-544
- 60 Hz, IV-507
 - audio, II-564
 - battery power, V-541
 - I.C., IV-507
 - LF, IV-512
 - oscillator, audio, III-559
 - square-wave and, tunable oscillator, III-232
 - VLF audio tone, IV-508
- sine/cosine (0.1-10 kHz), II-260
- sine/square wave oscillators, I-65
- TTL design, IV-512
 - tunable, I-65, III-232
- single control, III-238
- single supply, II-273
- square-wave generators, II-594-600, II-225, III-239, III-242, III-583-585, IV-529-536, V-588-570
- 1 kHz, IV-536
 - 2 MHz using two TTL gates, II-598
 - 555 timer, II-595
 - astable circuit, IV-534
 - astable multivibrator, II-597
 - CMOS 555 astable, true rail-to-rail, II-596
- duty-cycle multivibrator, III-50-percent, III-584
- four-decade design, IV-535
- high-current oscillator, III-585
- line frequency, II-599
- low-frequency TTL oscillator, II-595
- multiburst generator, II-88
- multivibrator, IV-536
- oscillators, I-612-614, I-616, II-596, II-597, II-616, IV-532, IV-533
- phase-tracking, three-phase, II-598
- pulse extractor, III-584
- quadrature-outputs oscillator, III-585
- sine-wave and, tunable oscillator, III-232
- three-phase, II-600
- tone-burst generator, single timer IC, II-89
- triangle-wave and, III-239
- precision, III-242
 - programmable, III-225
 - wide-range, III-242
- TTL, LSTTL, CMOS designs, IV-530-532
- variable duty-cycle, IV-533
 - variable-frequency, IV-535
- SR flip-flop, IV-651
- staircase generators, I-730, II-601-602, III-586-588, IV-443-447
- swcap generators, I-472, III-438
- timebase
- 1 Hz, readout and counter applications, IV-201
 - oscilloscopes, V-425
- time-delay generator, I-217-218
- tone burst generator, repeater, V-629
- triangle-wave, III-234, V-203, V-205
- clock-driven, V-206
 - square wave, III-225, III-239, III-242
 - timer, linear, III-222
- triangle/square wave generator, V-206
- tunable, wide-range, III-241
- two-function, III-234
- UJT monostable circuit insensitive to changing bias voltage, II-268
- variable duty cycle timer output, III-240
- voltage controlled high-speed one shot, II-266
- waveform (*see* waveform generators)
- white noise generator, IV-201
- funk box, II-598
- furnace exhaust gas/smoke detector, temp monitor/low-supply detection, III-248
- furnace fuel miser, V-328-329
- fuses
- battery-charger relay fuse, V-88
 - electronic, V-477
 - monitor for car fuses, V-77
 - relay fuse, V-478
- fuzz box, III-575
- fuzz sound effect, II-590

G

- GaAsFET circuits
- amplifier, power, with single supply, II-10
 - fixed power supplies, IV-405
- gain control circuits
- amplifier, stereo, gain-controlled, II-9, III-34
 - automatic audio gain control, II-17
 - automatic gain control (AGC), II-17
 - AGC system for CA3028 IF amp, IV-458
 - rf amplifier, wideband adjustable, III-545
 - squelch control, III-33
 - wide-band amplifier, III-15
 - gain block, video, III-712
- game feeder controller, II-360
- game roller, I-326
- games, II-275-277, III-243-245, IV-203-207, V-208-211
- coin flipper, III-244
 - electronic dice, III-245, IV-207
 - electronic roulette, II-276, IV-205
 - lie detector, II-277, IV-206
 - quiz master, V-210
 - reaction timer, IV-204
 - ring launcher, electromagnetic, V-209
 - roulette, II-276, IV-205
 - run-down clock/sound generator, IV-205
 - slot machine, V-211
 - Wheel-of-Fortune, IV-206
 - who's first, III-244
- garage stop light, II-53
- gas detectors (*see also* smoke alarms and detectors), I-332, II-278-279, III-246-253, III-246, V-212-214
- analyzer and, II-281
 - combustible gas detector, V-214
 - explosive gas detector, V-213
 - furnace exhaust, temp monitor/low-supply detection, III-248
 - methane concentration, linearized output, III-250
 - toxic, II-280
 - SCR, III-251
 - smoke/gas/vapor detector, III-250
- gated oscillator, last-cycle completing, III-427
- gated-pulse descrambler, II-165
- gates, V-215-216
- AND, I-395, V-216
 - OR, I-395
 - programmable, I-394
 - sync gating circuit, V-595
 - XOR gate, IV-107
- geiger counters, I-536-537, V-217-219

high-voltage supply, II-489
pocket-sized, II 514
gel cell charger, II-66
generators, electric-power
corona-wind generator, IV-633
dc generator, V-443
high-voltage generators, IV-413
ion generator, V-248-249
battery-powered, III-482
capacitor-discharge, III-485
voltage, III-481
negative-ions, IV-634
regulator for automobile generator,
V-76
ultra-high-voltages, II-488
generators (*see* function generators;
sound generators; waveform
generators)
glitch-detector, comparator, II-107
glow-plug driver, II-52
gong, electronic, V-563
graphic equalizer, ten-band, active
filter in, II-684
grid-dip meters, I-247, II-182-183
bandswitched, IV-298
basic grid, I-247, IV-298
dual gate IGFET, I-246
little dipper, II-183
varicap tuned FET, I-246
ground tester, II-345
ground-fault Hall detector,
IV-208-209
ground-noise probe, battery-
powered, III-500
guitars
compressor, sound-effect circuit,
IV-519
matching audio signal amplifiers,
IV-38
mixer, low-noise, four-channel,
V-360-361
treble boost for, II-683
tuner, II-362
gun, laser, visible red and
continuous, III-310

H

half-duplex information
transmission link, III-679
half-flash analog-to-digital
converters, III-26
half-wave ac phase controlled
circuit, I-377
half-wave rectifiers, I-230, III-528,
IV-325
fast, I-228
Hall-effect circuits, II-282-284,
III-254-258, V-220-222
angle of rotation detector, II-283
compass, III-258
compass; talking, V-221
current monitor, III-255, IV-284
door open alarm, II-284
ground-fault detector, IV-208-209

oscillators, V-222
security door-ajar alarm, III-256
switches using, III-257, IV-539
halogen lamps
dimmer for, III-300
protector, V-271
handtalkies, I-19
two-meter preamplifier for, I-19
hands-free telephone, III-605
hands-off intercom, III-291
handset encoder, telephone, III-613
harmonic distortion
analyzer, V-291
meter, V-312
harmonic generators, I-24, III-228,
IV-649
Hartley oscillator, I-571, V-140
HC-based oscillators, III-423
HCU/HTC-based oscillator, III-426
headlights (*see* automotive circuits,
headlights)
headphones
amplifier for, II-43
ear protector circuit, V-482
infrared (IR) receiver, V-227
infrared (IR) transmitter, V-227
signal amplifier, V-53, V-57
heart rate monitor, II-348, II-349,
V-342
heat-activated alarm, V-9
heat sniffer, electronic, III-627
heaters/heater controls (*see also*
temperature-related circuits),
I-639
element controller, II-642
induction heater, ultrasonic, 120-
KHz 500-W, III-704
protector circuit, servo-sensed,
III-624
temperature sensitive, I-640
hee-haw siren, II-578, III-565
hexFET switch, V-592
dual-control, V-593
hi-fi circuits (*see* stereo circuits)
high-pass filters, I-296
active, I 296, V-180, V-188
fourth-order, V-188
second-order, I-297
Butterworth, fourth-order, I-280,
V-179
Chebyshev, fourth-order, III-191
equal components second-order,
V-188
fourth-order, 100-Hz, IV-174
second-order, 100-Hz, IV-175
sixth-order elliptical, III-191
unity-gain second-order, V-187
variable, V-186
wideband two-pole, II-215
high-voltage power supplies (*see also*
generators, electrical power;
power supplies), II-487-490, III-
486, IV-409-413, V-442-447
9- to 15-Vdc input, V-456

10,000 V dc supply, IV-633
arc-jet power supply, starting
circuit, III-479
basic circuit, V-446
battery-powered generator, III-482
bucking regulator, III-481
dc generator, III-481, V-443
dc supply, 120-240 Vdc, single-chip
circuit, V-446
fluorescent-lamp supply, V-444
cold-cathode design, IV-411, V-447
geiger counter supply, II-489
generators (*see* generators,
electrical power)
inverter, III-484
40 W, 120 V ac, IV-410-411
laser circuits, V-253
negative supply, V-445
negative-ion generator, IV-634
optoisolated driver, III-482
photomultiplier supply, V-444, V-445
preregulated, III-480
pulse supply, IV-412
regulators, III-485
foldback-current limiting, II-478
solid-state, remote adjustable,
III-486
strobe power supply, IV-413
tube amplifier, high-volt isolation,
IV-426
ultra high-voltage generator, II-488
hobby circuits (*see* model and
hobby circuits)
hold button, telephone, 612, II-628
home security systems (*see* alarms,
annunciators)
horn, automobile, III-50, IV-54
hour/time delay sampling circuit,
II-668
Howland current pump, II-648
hum reducer circuit, receivers, V-347
humidity sensor, II-285-287,
III-266-267
hybrid power amplifier, III-455

I

IC product detectors, IV-143
IC timer, crystal-stabilized,
subharmonic frequencies for,
II-151
ice formation alarm, I-106, II-57,
II-58
ICOM IC-2A battery charger, II-65
IF amplifiers, I-690, IV-459
AGC system, IV-458
preamp, IV-460
receiver, IV-459
quadrature detector, TV sound IF,
I-690
two-stage, 60 MHz, I-563
wideband, I-689
ignition circuits, automotive, V-64
capacitor discharger, I-103
cut-off circuit, automotive, IV-53

ignitions circuits, automotive (*cont.*)
 electronic, IV-65
 substitute ignition, III-41
 timing light for ignition system, II-60

ignitor, III-362

illumination stabilizer, machine
 vision, II-306

image canceller, III-358

immobilizer, II-50

impedance checker, V-136

impedance converter, high-to low,
 I-41

impedance sensor, nanoampere, 100
 megohm input, I-203

indicators (*see* measurement/test
 circuits)

in-use indicator, telephone, II-629

inductance meter, linear, V-316

induction heater, ultrasonic, 120-
 KHz 500-W, III-704

inductors
 active, I-417
 simulated, II-199, V-180

infrared circuits (*see also* light-
 controlled circuits; remote
 control devices), II-288-292,
 III-271-277, IV-219-228, V-223-
 229

data link, I-341

detector, II-289, III-276, IV-224,
 V-225

emitter drive, pulsed, II-292

fan controller, IV-226

filter circuit, narrow-band, V-189

headphone receiver, V-227

headphone transmitter, V-227

IR pulse-to-audio converter, V-224

laser rifle, invisible pulsed, II-291

long-range object detector, III-273

loudspeaker link, remote, I-343

low-noise detector for, II-289

object detector, long-range, III-273

people-detector, IV-225

preamplifier for IR photodiode,
 V-226

proximity switch, infrared-
 activated, IV-345

receivers, I-342, II-292, III-274, IV-
 220-221, V-226, V-229

remote A/B switch, V-225

remote controller, I-342, IV-224,
 V-229

remote-control analyzer, V-224

remote-control tester, IV-228, V-
 228, V-229

remote-extender, IV-227

transmitters, I-343, II-289, II-290,
 III-274, III-276, III-277, IV-226-227
 digital, III-275
 pulsed for on/off control, V-228
 remote-control, I-342
 voice-modulated pulse FM, IV-228
 wireless speaker system, III-272,
 IV-222-223

injectors
 three-in-one set: logic probe, signal
 tracer, injector, IV-429

injector-tracers, I-521, I-522, II-500

input selectors, audio, low-
 distortion, II-38

input/output buffer, analog
 multiplexers, III-11

input/output circuits, NE602-based,
 V-355

instrumentation amplifiers, I-346, I-
 348, I-349, I-352, II-293-295, III-
 278-284, IV-229-234, V-233-235
 +/-100 V common mode range,
 III-234

current collector head amplifier,
 II-295

differential, I-347, I-354, III-283

biomedical, III-282

high-gain, I-353

input, I-354

variable gain, I-349

extended common-mode design,
 IV-234

high-impedance low-drift, I-355

high-speed, I-354

LM6218-based, high-speed, V-235

LMC6062-based, V-234

low-drift/low-noise dc amplifier,
 IV-232

low-signal level/high-impedance,
 I-350

low-power, III-284

meter driver, II-296

preamps
 oscilloscope, IV-230-231

thermocouple, III-283

precision FET input, I-355

saturated standard cell amplifier,
 II-296

strain gauge, III-280

triple op amp, I-347

ultra-precision, III-279

variable gain, differential input, I-349

very high-impedance, I-354

wideband, III-281

instrumentation meter driver, II-296

integrators, II-297-300, III-285-286,
 V-236-237

active, inverting buffer, II-299

JFET ac coupled, II-200

gamma ray pulse, I-536

long time, II-300

low-drift, I-423

noninverting, improved, II-298

photocurrent, II-326

programmable reset level, III-286

ramp generator, initial condition
 reset, III-527

resettable, III-286

intercoms, I-415, II-301-303, III-287-
 292, V-238-240

bidirectional, III-290

carrier current, I-146

hands-off, III-291

party-line, II-303

pocket pager, III-288

telephone-intercoms, IV-557,
 V-239, V-240

two-way, III-292

two-wire design, IV-235-237

voice-activated, one-way, V-239

intercoms (*see also* telephone-
 related circuits), V-238

interfaces (*see also* computer
 circuits), IV-238-242, V-241-244

680x, 650x, 8080 families, III-98

amateur radio transceiver, relay
 interface, V-243

audio-to-ADC interface, V-242

cassette-to-telephone, III-618

CPU interface, one-shot design,
 IV-239

DVM, temperature sensor and,
 II-647

FET driver, low-level power FET,
 IV-241

fiberoptic, II-207

keyboard matrix interface, IV-240

logic-level translators, IV-242

microcomputer-to-triac interface,
 V-244

optical sensor-to-TTL, III-314

optocouplers, V-406-407

optoisolators, V-406-407

preamp receiver interface, V-243

process control, I-30, V-242

remote-control transmitter
 interface, V-511

tape recorder, II-614

telephone
 audio interface, V-612
 telephone-line interface, V-605

video interface with sync stripper,
 V-659

interrupter, ground fault, I-580

interval timer, low-power,
 microprocessor programmable,
 II-678

intruder-detector, light-beam
 activated, V-11

preamp, V-13

inverters, III-293-298, V-245-247

250 watt, V-246

dc-to-ac, V-247

dc-to-dc/ac, I-208

digital, V-246

fast, I-422

fixed power supplies, 12 V input,
 IV-395

flip-flop, III-103

fluorescent lamp, 8-W, III-306

frequency inverter, III-297

high-voltage, III-484

40 W, 120 V ac, IV-410-411

low-power, fixed power supplies,
 III-466

on/off switch, III-594

picture, video circuits, III-722
 power, III-298
 12 VDC-to-117 VAC at 60 Hz, III-294
 medium, III-296
 MOSFET, III-295, V-247
 rectifier/inverter, programmable op-amp design, IV-364
 ultrasonic, arc welding, 20 KHz, III-700
 variable frequency, complementary output, III-297
 voltage, precision, III-298
 inverting amplifiers, I-41-42, III-14
 ac, high-gain, I-92
 balancing circuit in, I-33
 gain of 2, lag-lead compensation, UHF, I-566
 low-power, digitally selectable gain, II-333
 power amplifier, I-79
 programmable-gain, III-505
 unity gain amplifier, I-80
 wideband unity gain, I-35
 ion generator, V-248-249
 isolated feedback power supply, III-460
 isolation amplifiers
 capacitive load, I-34
 level shifter, I-348
 medical telemetry, I-352
 rf, II-547
 isolation and zero voltage switching logic, II-415
 isolation transformer, V-349, V-470
 isolators
 analog data-signal transmission, IV-133
 digital transmission, II-414
 stimulus, III-351

J

JFET
 ac coupled integrator, III-200
 amplifiers
 500-Mohm input impedance, V-23
 current source biasing, V-21
 chopper circuit, V-352
 headphone audio signal amplifiers, V-57
 preamplifier, V-22
 source follower, V-20
 voltmeter, V-318
 jitter suppression, V-342

K

kaleidoscope, sonic, V-548-549
 Kelvin thermometer, I-655
 zero adjust, III-661
 key illuminator, V-333
 keyer, electronic CW "bug" keyer, V-102
 keying circuits, IV-243-245
 automatic operation, II-15

automatic TTL morse code, I-26
 CW keyer, IV-244
 electronic, I-20
 frequency-shift keyer, IV-245
 negative key line keyer, IV-244

L

lamp-control circuits (*see* lights/light-activated and controlled circuits)
 laser circuits (*see also* lights/light-activated and controlled circuits; optical circuits), II-313-317, III-309-311, V-250-254
 diode sensor, IV-321
 discharge current stabilizer, II-316
 gun, visible red, III-310
 handheld laser, V-252
 light detector, II-314
 power supply, IV-636, V-251, V-254
 high-voltage, V-253
 with starter circuit, V-252
 pulsers, laser diode, I-416, III-311
 receiver, IV-368
 rifle, invisible IR pulsed, II-291
 simulated laser using LED, V-253
 latches, V-356
 12-V, solenoid driver, III-572
 comparator and, III-88
 latching relays, dc, optically coupled, III-417
 latching switches
 double touchbutton, I-138
 SCR-replacing, III-593
 LCD display
 7-segment, V-165
 fixed-power supply, IV-392, IV-403
 large-size, V-164
 lead-acid batteries (*see also* battery-related circuits)
 battery chargers, III-55
 life-extender and charger, IV-72
 low-battery detector, III-56
 leading-edge delay circuit, III-147
 LED circuits
 7-segment, V-166
 ac-power indicator, IV-214
 alternating flasher, III-198, III-200
 back-biased GaAs LED light sensor, II-321
 bar graph driver, II-188
 battery-charger test circuit, V-89
 brightness, I-250
 Christmas tree light flasher, V-197
 common-cathode display, V-167
 driver, emitter/follower, IV-159
 flashers, V-195, V-196
 alternating, III-198, III-200
 Christmas tree lights, V-197
 control circuit, IV-183
 dark-activated, V-195
 driver, V-194
 multivibrator design, IV-182
 PUT used in, II-239
 ring-around, III-194
 sequential, reversible-direction, IV-182
 three-year, III-194
 UJT used in, II-231
 frequency comparator, II-110
 light sensor, back-biased GaAsFET, II-321
 leading-zero suppressed display, V-165
 matrix display, two-variable, III-171
 millivoltmeter readout, IV-294
 multiplexed common-cathode display ADC, III-764
 panel meter, III-347
 peakmeter, III-333
 ring-around flasher, III-194
 RS-232C, computer circuit, III-103
 simulated-laser circuit, V-253
 three-year flasher, III-194
 voltmeter, IV-286
 VU meter, IV-211
 level, electronic, II-666, IV-329
 level controllers/detectors (*see also* fluid and moisture), II-174
 alarm, water, I-389
 audio, automatic, II-20
 audio (ALC), V-60-62
 cryogenic fluid, I-386
 hysteresis in, I-235
 level of liquid, I-107, I-235, I-387, I-388, I-389, I-390, II-174, II-244, II-246, III-205, III-206, III-207, III-209, III-210, IV-186, IV-190, IV-191
 meter, LED bar/dot, I-251
 peak, I-402
 sound, I-403
 three-step, I-336
 visual, III-269
 warning
 audio output, low, I-391
 high-level, I-387
 level shifter, negative-to-positive supply, I-394
 LF or HF field strength meter, II-212
 LF receiver, IV-451
 lie detector, II-277, IV-206, V-255-256
 light-beam communication circuits, V-257-261
 receivers
 audio, visible-light, V-261
 FM light-beam, V-259
 modulated light, V-258
 voice-communication, V-260
 transmitters
 audio, visible-light, V-261
 FM light-beam, V-259
 modulated light, V-258
 voice-communication, V-260
 light-controlled circuits (*see also* laser circuits; optical circuits), II-304-312, II-318-331, III-312-319, V-262-283

light-controlled circuits (*cont.*)
 860 W limited-range light control,
 I-376
 alarms, V-9, V-273
 dark-activated alarm, pulsed tone,
 V-13
 high-output, pulse-tone, V-14
 precision design, V-12
 self-latch, tone output, V-15
 with hysteresis, V-14
 with latch, V-12
 light-beam intruder-detection,
 V-11, V-13
 ambient-light cancellization circuit,
 II-328
 ambient-light ignoring optical
 sensor, III-413
 audio oscillator, light-sensitive,
 III-315
 back-biased GaAs LED sensor,
 II-321
 black light, battery-operated, V-281
 logarithmic light, I-366
 optical interruption sensor, IV-366
 battery-powered light, capacitance
 operated, I-131
 brightness control, I-377, III-316
 carport light, automatic, II-308
 chaser lights, sequential activation,
 IV-251, IV-252
 Christmas light driver, IV-254
 Christmas tree lights sequencer,
 V-264-265
 complementary, I-372
 controller, IV-252
 cross fader, II-312
 detectors of light, I-362, IV-369
 dimmers, I-369, II-309, IV-247,
 IV-249, V-266
 800 W, II-309
 CMOS touch dimmer, V-270
 dc lamp, II-307
 four-quadrant, IV-248-249
 halogen lamps, III-300
 headlight, II-57, II-63
 low-cost, I-373
 phase-controlled, V-267
 soft-start, 800-W, I-376, III-304
 tandem, II-312
 triac, I-375, II-310, III-303
 dissolver, solid-state, III-304
 drivers, lamp drivers, I-380
 flip-flop independent design,
 IV-160
 low-frequency flasher/relay, I-300
 MOS lamp driver, V-269
 optical coupling, III-413
 neon lamps, I-379, V-270, V-459
 short-circuit-proof, II-310
 emergency light, I-378, I-581, II-
 320, III-317, III-415, IV-250
 exposure meter, photo enlarger,
 V-438
 flame monitor, III-313
 flasher, dark-activated, V-195
 floodlamp power, I-373
 fluorescent-lamp high-voltage
 power supplies, IV-411, V-444,
 V-447
 halogen lamp protector, V-271
 holiday lights sequencer, V-264-
 265, V-264
 indicator-lamp driver, optically
 coupled, III-413
 infrared circuits (*see* infrared
 circuits; remote control)
 interruption detector, I-364
 inverter, fluorescent, 8-W, III-306
 key illuminator, V-333
 LEDs (*see* LED circuits)
 level of light, I-365, I-367, I-376, I-
 377, I-380, I-389, III-313, III-316
 life-extender for lightbulbs, III-302
 light-bulb changer, automatic
 design, IV-253
 lights-on warning, IV-58, IV-62,
 IV-250
 light-seeking robot, II-325
 logarithmic light sensor, I-366
 logic circuit, I-393
 machine vision illumination
 stabilizer, II-306
 marker light, III-317
 meters, light-meters, I-382, I-383,
 V-305
 photo enlargers, V-434-435
 modulator, III-302
 monostable photocell, self-adjust
 trigger, II-329
 mooring light, automatic, II-323
 neon light drivers, I-379, V-270,
 V-459
 night lights
 automatic, I-360, III-306
 telephone-controlled, III-604
 on/off relay, I-366
 on/off reminder
 automotive lights, I-109
 with ice alarm, I-106
 one-shot timer, III-317
 optical interruption sensor, IV-366
 oscillator, light-controlled, V-279
 outdoor light control, V-275
 phase control, II-303, II-305
 photo alarm, II-319
 photocell, monostable, self-adjust
 trigger, II-329
 photocurrent integrator, II-326
 photodiode sensor amplifier, II-324
 photoelectric controller, IV-369
 photoelectric sensor, V-277
 photoelectric switches, II-321,
 II-326, III-319
 phototransistor, V-279
 porch light control, V-266, V-276
 projector-lamp voltage regulator,
 II-305
 power outage light, line-operated,
 III-415
 pulse-generation interruption, I-357
 relays, I-366, V-275, V-278, V-279
 remote-controller, I-370
 robot
 eyes, II-327
 light-seeking robot, II-325
 running light sequencer, V-269
 sensors, I-367
 ambient-light ignoring, III-413
 back-biased GaAs LED, II-321
 logarithmic, I-366
 multiple-input, V-273
 optical sensor-to-TTL interface,
 III-314
 photoelectric, V-277
 sequencer, V-263,
 holiday lights, V-264-265
 pseudorandom, III-301
 running light, V-269
 shimmering light, V-268
 short-circuit proof lamp driver,
 II-310
 signal conditioner, photodiode
 design, II-330
 solid-state light sources, V-282-283
 sound-controlled lights, I-609, V-552
 speed controller, IV-247
 strobe
 high-voltage power supplies,
 IV-413
 photo strobe, V-435, V-437
 trigger, V-436
 variable, III-589-590
 sun tracker, III-318
 switches, II-320, III-314
 adjustable, I-362
 capacitance switch, I-132
 dark-activated, V-274, V-276
 light-/dark activated, V-274
 light-activated, self-latching, V-278
 light-controlled, II-320, III-314
 photoelectric, II-321, II-326,
 III-319
 solar triggered, III-318
 zero-point triac, II-311
 tarry light, I-579
 telephone in-use light, II-625
 three-way light control, IV-251
 touch lamp, three-way, IV-247
 triac circuit, V-268
 triac controller, V-267, V-271
 triac switch, inductive load, IV-253
 turn-off circuit, SCR capacitor
 design, IV-254
 twilight-triggered circuit, II-322
 video, low-level video IF amplifier,
 I-687-689
 voltage regulator for projection
 lamp, II-305

- wake-up call light, II-324
 - warning lights, II-320, III-317
 - light-seeking robot, II-325
 - limit comparators/detectors, I-156, III-106
 - alarm, high/low, I-151
 - double ended, I-230, I-233, I-156, II-105
 - micropower, I-155
 - frequency-limit detector, II-177
 - limiters, III-320-322, IV-255-257
 - audio limiter, V-335
 - clipper/limiter, IV-355
 - low-distortion, II-15
 - dynamic noise reduction circuit, III-321
 - hold-current, solenoid driver, III-573
 - noise, III-321, II-395
 - one-zener design, IV-257
 - output, III-322
 - power-consumption, III-572
 - transmit-time limiter/timer, IV-580
 - voltage limiter, adjustable, IV-256
 - line amplifiers, III-37
 - duplex, telephone, III-616
 - universal design, IV-39
 - line drivers, I-262
 - 50-ohm transmission, II-192
 - 600-ohm balanced, II-192
 - audio signal amplifiers, V-54
 - full rail excursions in, II-190
 - high-output 600-ohm, II-193
 - synchronized, III-174
 - video amplifier, III-710
 - line-dropout detector, II-98
 - line-frequency square wave generator, II-509
 - line receivers
 - digital data, III-534
 - low-cost, III-532
 - line-sync, noise immune 60 Hz, II-367
 - line-current detector/monitors, III-341
 - optically coupled, III-414
 - line-hum touch switch, III-664
 - line-synchronized driver circuit, III-174
 - line-voltage announcer, ac, III-730
 - line-voltage monitor, III-511
 - line-voltage-to-multimeter adapter, V-312
 - linear amplifiers
 - 2-30MHz, 140W PEP amateur radio, I-555
 - 100 W PEP 420-450 MHz push-pull, I-554
 - 160 W PEP broadband, I-556
 - amateur radio, 2-30 MHz 140-W, III-260
 - audio power amplifiers, V-51
 - CMOS inverter, II-11
 - inverter, linear amp from inverter, II-11
 - rf amplifiers
 - 6-m, 100 W, IV-480-481
 - 903 MHz, IV-484-485
 - ATV, 10-to-15 W, IV-481
 - linear couplers
 - ac analog, II-412
 - analog, II-413
 - dc, II-411
 - optocoupler, instrumentation, II-417
 - linear IC siren, III-564
 - linear ramp generator, II-270
 - link, fiberoptic, III-179
 - liquid-level detectors (*see* fluid and moisture detectors)
 - lithium batteries
 - charger for, II-67
 - state of charge indicator for, II-78
 - little dipper dip meter, II-183
 - load-sensing circuits, V-284-285
 - locator, lo-parts treasure, I-409
 - locks, electronic, II-194-197, IV-161-163
 - combination, I-583, II-196
 - digital entry lock, IV-162, V-157
 - keyless design, IV-163
 - three-dial combination, II-195
 - locomotive whistle, II-589
 - logarithmic amplifiers, I-29, I-35, II-8
 - de to video, I-38
 - log-ratio amplifier, I-42
 - logarithmic converter, fast, I-169
 - logarithmic light sensor, I-366
 - logarithmic sweep VCO, III-738
 - logic/logic circuits
 - amplifiers, logic amplifiers, II-332-335
 - low-power binary, to 10n gain
 - low-frequency, II-333
 - low-power inverting, digitally selectable gain, II-333
 - low-power noninverting, digitally selectable input and gain, II-334
 - precision, digitally programmable input and gain, II-335
 - programmable amplifier, II-334
 - audible pulses, II-345
 - converter, TTL to MOS, I-170
 - four-state, single LED indicator, II-361
 - isolation and zero voltage switching, II-415
 - level shifter, negative-to-positive supply, I-394
 - light-activated, I-393
 - line monitor, III-108
 - overvoltage protection, I-517
 - probes, logic probes, I-520, I-525, I-526, IV-430-431, IV-434
 - CMOS, I-523, I-526, III-499
 - digital, III-497, V-310
 - four-way operation, IV-432
 - memory-tester, installed, I-525
 - single-IC design, IV-433
 - three-in-one set: probe, signal tracer, injector, IV-429
 - pulse generator for logic-troubleshooting, IV-436
 - pulsar, III-520, V-489
 - signals, long delay line for, III-107
 - testers
 - audible, III-343, V-313
 - TTL, I-527
 - translators, logic-level translators, IV-242
- long-duration timer, PUT, II-675
- long-range object detector, III-273
- loop antennas
 - 3.5 MHz, IV-12-13
 - dual band, 80-160 m, V-32
 - preamp, V-38
- loop transmitter, remote sensors, III-70
- loop-thru video amplifier, IV-616
- loudness controls, II-46, II-47
 - amplifier, loudness amp, II-46
 - balance amplifier with, II-395
- loudspeakers
 - coupling circuit, I-78
 - horn as loudspeaker, IV-54
 - protector circuit, V-483
 - remote link, I-343
- low-distortion input selector for audio use, II-38
- low-frequency oscillators, III-428
 - crystal, I-184, II-146
 - oscillator/flasher, II-234
 - Pierce oscillator, III-133
 - TTL oscillator, II-595
- low-pass filters, I-287
 - active, V-178, V-181, V-188
 - digitally selected break frequency, II-216
 - fourth-order, V-184
 - Butterworth, V-180, V-181
 - Chebyshev, fifth-order, multi-feedback, II-219
 - clock-tunable, monolithic, 1mV, V-187
 - pole-active, I-295
 - fast-response, fast settling, IV-168-169
 - fast-settling, precision, II-220
 - precision, fast settling, II-220
 - Sallen-Key
 - 10 kHz, I-279
 - active, IV-177
 - equal component, I-292
 - second order, I-289
 - second-order, V-188
 - second order Sallen-Key, I-289
 - unity-gain second-order, V-187
 - variable, V-186
- low-voltage alarm/indicator, I-224, II-493, III-769

low-voltage power disconnect, II-97
LVDT circuits, II-336-339, III-323-324
driver demodulator, II-337
signal conditioner, II-338

M

machine vision, illumination
 stabilizer for, II-306
magnetometer, II-341
magnets
 current sensor, magnetic currents,
 III-341
 electromagnetic-field sensor, V-308
 permanent-magnet detector, IV-281
preamplifiers, magnetic, I-89, I-91,
 III-37, III-673, IV-35, IV-36
proximity sensor, V-308
transducer, magnetic transducer,
 I-233
mains-failure indicator, IV-216
marker generator, III-138
marker light, III-317
mathematical circuits, III-325-327,
 IV-258-263, V-286-288
 adder circuits, III-327
 binary, fast-action, IV-260-261
 divider circuits, IV-150-156
 binary chain, I-258
 divide-by-2-or-3 circuit, IV-154
 divide-by-N
 .1+ GHz, IV-155
 1.5+ divide-by-n, IV-156
 CMOS programmable, I-257
 7490-divided-by-n, IV-154
 divide-by-odd number, IV-153
 frequency dividers, I-258, II-251,
 II-254, III-213-218, III-340, III-768
 1.2 GHz, III-129
 10-MHz, III-126
 clock input, IV-151
 decade, I-259
 divide-by-1.5, III-216
 low-cost, III-124
 low-frequency, II-253
 preamp, III-128
 programmable, IV-152-153
 staircase generator and, I-730
 tachometer and, I-310
 odd-number counter and, III-217
 one trim, III-326
 pulse, non-integer programmable,
 II-511, III-226
 minimum/maximum selector, four-
 input, V-332
 multiplier circuits, IV-325
 low-frequency multiplier, IV-325
 precise commutating amp,
 IV-262-263
 voltage multipliers, IV-631-637
 2,000 V low-current supply,
 IV-636-637
 10,000 V dc supply, IV-633
 corona wind generator, IV-633
 doublers, III-459, IV-635

 cascaded, Cockcroft-Walton,
 IV-635
 triac-controlled, III-468
 laser power supply, IV-636
 negative-ion generator, high-
 voltage, IV-634
 tripler, low-current, IV-637
 polar-to-rectangular
 converter/pattern generator,
 radio di, V-288
 polynomial generator, V-287
 root extractor, V-207, V-288
 slope integrator, programmable,
 IV-259
 subtractor, III-327
 MC1330/MC1352 television IF
 amplifier, I-688
 measurement/test circuits (*see also*
 monitors; probes), II-340,
 III-268-270, III-328-348, IV-210-
 218, IV-264-311, V-230-232,
 V-289-321
 100 K megaohm dc, I-524
 3-in-1 test set, III-330
 absolute-value circuit, IV-274
 ac hot wire, I-581
 ac-current indicator, IV-290
 ac-power indicator, LED display,
 IV-214
 ac/dc indicator, IV-214
 ac outlet tester, V-318
 ac wiring locator, V-317
 ac-watts calculator, V-304
 acoustic-sound receiver, IV-311
 acoustic-sound transmitter, IV-311
 activity tester, crystal oscillators,
 V-138
 alarm and, I-337
 altimeter, digital, V-296
 ammeter, low-current, V-307
 anemometer, hot-wire, III-342
 audible logic tester, III-343
 audible TTL, I-524
 audio frequency meter, I-311,
 V-305, V-320
 audio millivolt, III-767, III-769
 audio power, I-488
 audio-rf signal tracer, I-527
 automatic contrast, I-479
 automotive electrical tester, IV-45
 automotive-temperature indicator,
 PTC thermistor, II-56
 B-field measurer, IV-272
 balance indicator, IV-215
 balance meter for stereo, V-583
 barometer, IV-273
 battery indicators/testers, I-108,
 I-121, I-122, I-124, V-74, IV-78,
 IV-79
 beat frequency, I-336
 breath alert alcohol tester, III-359
 broadband ac active rectifier, IV-271
 buzz box continuity checker, I-551
 cable tester, III-539, V-299

 calibrator (*see* calibrators)
 capacitance buffer
 low-input, III-498
 stabilized low-input, III-502
 capacitance meters, I-400, II-91-94,
 III-75-77
 A/D, 3.5 digit, III-76
 capacitance-to-voltage, II-92
 digital, II-94
 capacitor testers, IV-265, IV-279,
 V-306
 clamp-on-current compensator,
 II-501
 CMOS logic, I-523
 continuity testers, I-550, I-551,
 II-342, II-533, II-534, II-535,
 III-345, III-538-540, IV-287,
 IV-289, IV-295, IV-296, V-293,
 V-317, V-319
 crystal tester, I-178, I-186, II-151,
 V-139
 current meters and monitors,
 I-203, II-152-157, III-338
 ac current indicator, IV-290
 current sensing in supply rails,
 II-153
 electrometer amplifier with
 overload protection, II-155
 Hall-effect sensors, III-255, IV-284
 high-gain current sensor, IV-291
 picoammeter, I-202, II-154, II-157,
 III-338
 guarded input, II-156
 range ammeter, six-decade,
 II-153, II-156
 curve tracer, I-397, IV-274, V-300
 CW offset indicator, IV-213
 deviation meter, IV-303
 dial pulse, III-613
 digital frequency meter, III-344
 digital multimeter (DMM), IV-291,
 V-291
 digital voltmeters (DVM), III-4
 3.5-digit, I-713, III-761
 3.75-digit, I-711
 4.5-digit, I-717, III-760
 adapter for PC, V-310
 auto-calibrate circuit, I-714
 automatic nulling, I-712
 interface and temperature sensor,
 II-647
 LED readout, IV-286
 temperature sensor and DVM, 647
 diode tester, I-401, I-402, I-406,
 II-343, III-402
 dip meters, I-247, II-182-183
 bandswitched, IV-298
 basic grid, I-247, IV-298
 dual gate IGFET, I-246
 little dipper, II-183
 varicap tuned FET, I-246
 direction-of-rotation circuit, III-335
 diode-curve tracer, IV-274
 diode-matching circuit, IV-280

dosage rate, I-534
 driver, meter-driver rf amplifier,
 1-MHz, III-545
 duty-cycle meter, III-329, IV-265,
 IV-275, IV-280
 dwell meter, I-102, III-45
 E, T, and R measurement/test
 circuits, IV-283-296
 electrolytic-capacitor reforming
 circuit, IV-276
 electromagnetic-field sensor, V-308
 electrometer, IV-277
 electrostatic detector, III-337
 energy consumption monitor, V-290
 expanded-scale analog meters, II-
 186, III-774, IV-46
 FET probe, III-501
 FET voltmeter, III-765, III-770
 field-strength meters, II-208-212,
 III-182-183, IV-164-166,
 V-174-176
 1.5-150 MHz, I-275
 adjustable sensitivity indicator,
 I-274
 high-sensitivity, II-211
 LF or HF, II-212
 microwave, low-cost, I-273
 rf sniffer, II-210
 sensitive, I-274, III-183
 signal-strength meter, IV-166
 transmission indicator, II-211
 tuned, I-276
 UHF fields, IV-165
 untuned, I-276
 filter analyzer, audio filters, IV-
 309
 flash exposure meter, I-484, III-
 446
 frequency counter, III-340, IV-300
 frequency meters, I-310, II-249-
 250, IV-282, IV-301
 analog, V-307
 audio, I-311
 linear, I-310
 low-cost, II-250
 power, II-250
 power-line, I-311
 frequency shift keyer tone
 generator, I-723
 geiger counters, I-536-537, II-489,
 II-514, V-217-219
 general purpose rf detector, II-500
 go/no-go test circuits, I-401, I-157
 grid-dip meters, I-247, IV-298
 ground, I-580, II-345
 ground-noise, battery-powered,
 III-500
 harmonic distortion
 analyzer, V-291
 meter, V-312
 impedance checker, V-136
 in-use indicator, telephone, II-629
 inductance meter, linear, V-316
 infrared detector, low-noise, II-289
 injectors, IV-429
 high-frequency and rf tester,
 IV-297-303
 LC checker, III-334
 LED meters, I-251, III-347
 level indicators (*see* fluid and
 moisture, level)
 line-current monitor, III-341
 light meters, I-382, I-383, V-302
 line-voltage-to-multimeter adapter,
 V-312
 logic probes, I-520, I-525, I-526,
 IV-430-431, IV-434
 CMOS, I-523, I-526, III-499
 digital, III-497, V-310
 four-way operation, IV-432
 memory-tester, installed, I-525
 single-IC design, IV-433
 three-in-one test set: probe, signal
 tracer, injector, IV-429
 logic tester, I-527, II-345, III-343,
 V-313
 low-current measurement, III-345
 low-ohms adapter, IV-290
 low-voltage, III-769
 magnet/magnetic detectors, III-
 341, IV-266, IV-281, V-308
 magnetometer, II-341
 mains-failure indicator, IV-216
 measuring gauge, linear variable
 differential transformer, I-404
 meter tester, IV-270
 metronomes, I-411-413, II-353-355,
 III-353-354, IV-312-314, V-392
 microammeter, dc, four-range,
 IV-292
 microfarad counter, IV-275
 microvolt, II-499
 millivoltmeters, III-767, III-769,
 IV-289, IV-294, IV-295
 ac, I-716
 audio, III-767, III-769
 dc, IV-295
 four-range, IV-289
 high-input impedance, I-715
 LED readout, IV-294
 modulation monitor, III-375, IV-299
 mono audio-level meter, IV-310
 motion sensor, unidirectional,
 II-346
 motor hour, III-340
 multiconductor-cable tester,
 IV-288
 multimeters, IV-291, IV-293
 noise generator, IV-308
 ohmmeters, I-549, III-540, IV-290
 On indicator, IV-217
 on-the-air, III-270
 op-amp dc offset shift tester,
 V-319
 optical light probe, IV-369
 oscilloscope adapter, four-trace,
 IV-267
 overspeed, I-108
 overvoltage protection, I-150, I-
 517, II-96, II-107, II-496, II-513,
 III-762, IV-389
 paper sheet discriminator, copying
 machines, III-339
 peak detectors, II-174, II-175, II-
 434-436, III-771, IV-138, IV-143
 analog, with digital hold, III-153
 decibel peak meter, III-348
 digital, III-160
 high-bandwidth, III-161
 high-frequency peak, II-175
 high-speed peak, I-232
 LED design, peak meter, III-333
 level detector, I-402
 low-drift, III-156
 negative, I-225, I-234
 op amp, IV-145
 positive, I-225, I-235, II-435,
 III-169
 true rms, I-228
 ultra-low-drift peak, I-227
 voltage, precision, I-226
 wide-bandwidth, III-162
 wide-range, III-152
 pH tester, I-399, III-501
 phase detection/manipulation
 circuits
 detectors, I-406, I-476, II-344,
 II-439, II-441, II-442, III-440-442,
 IV-127
 10-bit accuracy, II-176
 digital VOM, IV-277
 phase-difference detector, 0- to
 180-degree, II-344
 phase selector/sync
 rectifier/balanced modulator,
 III-441
 sequencers, phase sequence, I-
 476, II-437-442, III-441
 rc circuit, phase sequence
 reversal detection, II-438
 reversal, rc circuit to detect,
 II-438
 three-phase tester, II-440
 shifters, phase shifters, IV-647
 0-180 degree, I-477
 0-360 degree, I-477
 single-transistor design, I-476
 splitter, precision, III-582
 tracker, three-phase square wave
 generator, II-598
 picoammeters, I-202, II-154, III-338
 circuit for, II-157
 guarded input circuit, II-156
 polarity indicator, V-231
 power gain meter, 60 MHz, I-489
 power line frequency tester, I-311
 power meter, I-489
 power supply test load, constant-
 current, IV-424
 prescaler, 650 MHz amplifying,
 II-502
 pressure gauge, digital, V-314

- measurement/test circuits (*cont.*)
 probes, 4-to-220 V, III-499
 proximity sensor, magnetic, V-308
 pulse-width meter, III-336
 QRP SWR bridge, III-336
 RC decade box, V-294-295, V-294
 receiver-signal alarm, III-270
 reflectometer, I-16
 remote-control infrared device,
 IV-228
 resistance measurement, II-342,
 IV-285
 resistance/continuity meters (*see*
 continuity tester, above)
 rf bridge, V-303
 rf output indicator, IV-239
 rf power indicator, I-16
 wide-range, III-332
 rf probe, I-523, III-498, III-502,
 IV-433
 rf test oscillator, V-412
 rf voltmeter, III-766
 rf-actuated relay, III-270
 S meter for communications
 receivers, V-311
 scale, electronic, V-297
 SCR tester, III-344
 short-tester, V-313, V-315
 shutter, I-485
 signal generators, V-309
 AM broadcast-band, IV-302
 AM/FM, 455 kHz, IV-301
 signal strength meter, III-342, IV-166
 signal tracer, IV-429, V-309
 simulated, I-417
 single injector-tracer, II-500
 soil moisture, III-208
 sound-level meters, III-346, IV-305,
 IV-307
 telephone, III-614
 sound sensor, IV-218
 sound-test circuits (*see also* sound
 generators), IV-304
 speedometer, bike, IV-271, IV-282
 static detector, IV-276
 stereo test circuits
 audio-level meter, IV-310
 audio-power meter, III-331, IV-306
 balance indicator, I-618-619
 reception indicator, III-269
 stud finder, III-339
 supply-voltage monitor, V-320
 suppressed zero, I-716
 SWR power, I-16, I-22, IV-269
 tachometers, I-94, I-100, I-102,
 II-175, III-335, III-340, III-347,
 V-65, V-596-598
 analog readout, IV-280
 calibrated, III-598
 closed loop feedback control, II-390
 digital readout, II-61, III-45,
 IV-268-269, IV-278
 dwell meter/tachometer, III-45
 feedback control, II-378, II-390
 frequency counter, I-310
 low-frequency, III-596
 minimum-component design, I-405
 motor speed controllers, II-378,
 II-389
 optical pick-up, III-347
 set point, III-47
 telephone
 in-use indicator, II-629, IV-560,
 IV-563
 line-tester, V-615
 off-hook, I-633
 temperature (*see* temperature-
 related circuits)
 temperature indicator, IV-570
 test probe, 4-220 V, III-499
 tester, IV-270
 thermometers, III-637-643
 three-in-one set, logic probe, signal
 tracer, injector, IV-429
 three-phase tester, II-440
 tilt meter, III-644-646, V-302
 tone, digital IC testing, II-504
 transistor tester, I-401, IV-281,
 V-306
 transmitter-output indicator, IV-218
 tri-color indicator, V-232
 TTL logic tester, I-527
 universal test probe, IV-431
 UHF source dipper, IV-299
 undervoltage, battery operated
 equipment, I-123
 universal test probe, IV-431
 vibration meter, I-404
 video-signal amplitude measurer,
 V-309
 visual modulation, I-430
 visual level, III-269
 voltage level indicators, I-335,
 I-337, I-338, I-718, III-758-772,
 V-301, V-315
 voltage probes, V-474
 voltmeters, III-758
 3.5 digit, I-710, I-713, III-761
 4.5-digit, III-760
 5-digit, III-760
 ac, I-716, III-765, III-772
 add-on thermometer for, III-640
 bar-graph, I-99, II-54
 dc, III-762, III-763, V-301
 digital voltmeters (DVM), III-4
 3.5-digit, common anode display,
 I-713
 3.5-digit, full-scale, four-decade,
 III-761
 3.75-digit, I-711
 4.5-digit, III-760
 4.5-digit, LCD display, I-717
 auto-calibrate circuit, I-714
 automatic nulling, I-712
 interface and temperature
 sensor, II-647
 LED readout, IV-286
 temperature sensor and DVM, 647
 FET, I-714, III-765, III-770
 high-input resistance, III-768
 JFET, V-318
 LED expanded scale, V-311
 millivoltmeters (*see*
 millivoltmeters)
 rf, I-405, III-766
 voltohmmeters (VOM)
 field strength, I-276
 phase meter, digital readout,
 IV-277
 volume indicator, audio amplifier,
 IV-212
 VOR signal simulator, IV-273
 VU meters, I-715, II-487, III-487,
 IV-211
 watch tick timer, V-292
 water-level measurement circuit,
 IV-191
 wavemeter, tuned RF, IV-302
 wideband test amplifier, IV-303
 wire tracer, II-343
 zener diode test set, V-321
 zener diode tester, I-400, I-406
 zero center, FM receivers, I-338
 medical electronic circuits, II-347-
 349, III-349-352
 biomedical instrumentation
 differential amp, III-282
 breath monitor, III-350
 EKG simulator, three-chip, III-350
 heart rate monitor, II-348, II-349,
 V-342
 preamplifier for, II-349
 stimulator, constant-current, III-352
 stimulus isolator, III-351
 thermometer,
 implantable/ingestible, III-641
 melody generator, single-chip
 design, IV-520
 memo alert, V-352
 memory-related circuits
 EEPROM pulse generator, 5V-
 powered, III-99
 memory protector/power supply
 monitor, IV-425
 memory-saving power supply, II-486
 metal detectors, II-350-352, IV-137,
 V-322-324
 low-cost design, V-323
 micropower, I-408
 pipe detector, V-323
 meters (*see* measurement/test
 circuits)
 methane concentration detector,
 linearized output, III-250
 metronomes, I-413, II-353-355, III-
 353-354, IV-312-314, V-392
 top octave generator, V-393
 ac-line operated unijunction, II-355
 accentuated beat, I-411
 downbeat-emphasized, III-353-354
 electronic, IV-313
 low-power design, IV-313

- novel design, IV-314
- sight and sound, I-412
- simple, II-354
- version II, II-355
- microammeter, dc, four-range, IV-292
- microcontroller, musical organ,
 - preprogrammed single-chip, I-600
- microphone circuits
 - amplifiers, I-87, III-34
 - electronic balanced input, I-86
 - electret, preamp circuit, V-21
 - external mic circuit for transceivers, V-351
 - FM wireless, III-682, III-685, III-691
 - mixer, II-37, V-363, V-364
 - preamplifiers, II-45, IV-37, IV-42
 - low-impedance, IV-41
 - tone control for, II-687
 - transformerless, unbalanced input, I-88
 - transformerless, unbalanced input, I-88
 - wireless, IV-652-654
 - AM wireless, I-679
- microprocessors (*see* computer circuits)
- microvolt comparators
 - dual limit, III-89
 - hysteresis-including, III-88
- microvolt probe, II-499
- microwavc amplifiers, IV-315-319
 - 5.7 GHz, IV-317
 - bias supply for preamp, IV-318
 - preamplifiers
 - 2.3 GHz, IV-316
 - 3.4 GHz, IV-316
 - bias supply, IV-318
 - single-stage, 10 GHz, IV-317
 - two-stage, 10 GHz, IV-319
- microwave field strength meter, I-273
- MIDI (*see* musical circuits)
- Miller oscillator, I-193
- millivoltmeters, III-767, III-769, IV-289, IV-294, IV-295
 - ac, I-716
 - audio, III-767, III-769
 - dc, IV-295
 - four-range, IV-289
 - high-input impedance, I-715
 - LED readout, IV-294
- mini-stereo audio amplifiers, III-38
- minimum/maximum selector, four-input, V-332
- mixers, III-367-370, IV-330-336, V-359-364
 - 1-MHz, I-427
 - audio, I-23, I-59, II-35, IV-335, V-362, V-364
 - CMOS, I-57
 - common-source, I-427
 - digital mixer, IV-334
 - diplexer, IV-335
 - doubly balanced, I-427
 - dynamic audio mixer, IV-331
 - four-channel, I-56, I-60, II-40, III-369, IV-333
 - four-input, I-55, IV-334
 - guitar mixer, low-noise, four-channel, V-360-361
 - HF transceiver/mixer, IV-457
 - hybrid, I-60
 - input-buffered, III-369
 - local oscillator, double-balanced mixer, V-415
 - microphone, II-37, V-363, V-364
 - mixer/oscillator for AM receivers, V-412
 - multiplexer, I-427
 - one-transistor design, I-59
 - passive, I-58
 - preamplifier with tone control, I-58
 - signal combiner, III-368
 - silent audio switching, I-59
 - sound amplifier and, II-37
 - stereo mixer, pan controls, IV-332
 - unity-gain, four-input, IV-334
 - utility-design mixer, IV-336
 - universal stage, III-370
 - video, high-performance operation, IV-609
- mobile equipment, 8-amp regulated power supply, II-461
- model and hobby circuits, IV-337-340
 - controller, model-train and/or slot-car, IV-338-340
 - rocket launcher, II-358
- modems
 - power-line, carrier-current circuit, III-82
 - protector, V-479, V-482
- modulated readback systems, disc/tape phase, I-89
- modulation indicator/monitor, I-430
- CB, I-431
- modulators, I-437, II-368-372, III-371-377, V-365-367
 - 455-kHz, V-366
 - +12V dc single supply, balanced, I-437
 - AM, I-438, II-370
 - balanced, III-376, III-441
 - double-sideband suppressed-carrier, III-377
 - FM, V-366, V-367
 - linear pulse-width, I-437
 - monitor for, III-375
 - musical envelope generator, I-601
 - pulse-position, I-435, III-375
 - pulse-width, I-435, I-436, I-438-440, III-376, IV-326
 - rf, I-436, II-369, III-372, III-374
 - saw oscillator, III-373
 - TTL oscillator for television display, II-372
 - TV, I-439, II-433, II-434
 - VHF, I-440, III-684
 - video, I-437, II-371, II-372
- moisture detector (*see* fluid and moisture detectors)
- monitors (*see also* alarms; fluid and moisture; light-controlled circuits; motor control circuits; speed controllers; temperature-related circuits; tone controls), V-368-372
 - acid rain, III-361, V-371
 - baby monitor, V-370-371
 - battery monitors, I-106, I-222, II-74-79, III-60-67, IV-73-80
 - bird feeder monitor, V-371
 - blinking phone light, II-624
 - breath monitor, III-350
 - current, III-255, IV-284
 - alarm and, III-338
 - directional signals, auto, III-48
 - door-ajar, automotive circuits, III-46
 - duty cycle, III-329, IV-275
 - flames, III-313
 - home security system, I-6
 - line-current, III-341
 - line-voltage, III-511
 - logic line, III-108
 - modulation, III-375, IV-299
 - overvoltage protection, I-150, I-517, II-96, II-107, II-496, III-513, III-762, IV-389
 - power-supply monitors, II-491-497, III-493-495, IV-422-427
 - backup supply, drop-in main-activated, IV-424
 - balance monitor, III-494
 - booster/buffer, boosts reference current, IV-425
 - circuit breaker, trip circuit, IV-423
 - connections monitor, ac lines, III-510
 - fault monitor, single-supply, III-495
 - memory protector/supply monitor, IV-425
 - polarity-protection relay, IV-427
 - SCR design, IV-385
 - test load, constant-current, IV-424
 - triac for ac-voltage control, IV-426
 - tube amplifier, high-voltage isolation, IV-426
 - voltage monitors (*see* voltage monitors)
 - room monitor, V-369
- monostable multivibrators, I-465, III-229, III-230, III-235, III-237, V-386, V-387
 - input lockout, I-464
 - linear-ramp, III-237
 - photocell, monostable, II-329
 - positive-triggered, III-229
 - TTL, monostable operation, I-464
 - UJT, monostable operation, I-463
 - video amplifier and comparator, II-268
- mooring light, automatic, II-323
- MOSFETs

MOSFETs (cont.)
 amplifier, high-impedance biasing, V-19
 audio power amplifiers, V-47
 biasing, high-impedance method, V-19
 buffer amplifier, V-93
 frequency converter, V-123
 mixer/oscillator for AM receivers, V-412
 power control switch, IV-386
 power inverter, III-295, V-247
 mosquito repelling circuit, I-684
 motion/proximity detectors, I-135-136, I-344, II-135, II-136, II-505-507, III-514-518, IV-341-346, V-376-377, V-484-486
 acoustic Doppler motion detector, IV-343
 alarm for, II-506
 auto alarm, I-9
 baby monitor, V-370-371
 capacitive, III-515
 field disturbance sensor/alarm, II-507
 infrared-reflection switch, IV-345
 light-beam intruder-detection alarm, V-11, V-13
 low-current-drain design, IV-342-343
 magnetic, V-308
 microwave circuit, V-377
 motorcycle alarm, I-9
 object detector, long-range, III-273
 optical detector circuit, V-405
 optical interruption sensor, IV-366
 people-detector, infrared-activated, IV-225
 proximity switch, infrared-activated, IV-345
 relay-output, IV-345
 room monitor, V-369
 SCR alarm, III-517
 self-biased, changing field, I-135
 switch, III-517
 UHF, III-516, IV-344
 unidirectional, II-346
 motor control circuits, IV-347-353, V-378-381
 400 Hz servo amplifier, II-386
 ac motors, II-375
 ac servo amplifier, bridge-type, III-387
 bidirectional proportional control, II-374
 blender control circuit, V-379
 compressor protector, IV-351
 dc motors
 direction controls, I-452
 driver controls, fixed speed, III-387 reversing, II-381 servo, bipolar control input, II-385 speed-controlled reversible, III-388
 fiber optic controls, II-206
 direction controls
 dc motors, I-452 series-wound motors, I-448 shunt-wound motors, I-456 stepper motor, IV-350
 driver controls
 ac motors
 three-phase, II-383 two-phase, I-456, II-382 constant-speed, III-388
 dc motors
 fixed speed, III-387 reversing, II-381 servo, bipolar control input, II-385 speed-controlled reversible, III-388
 N-phase motor, II-382
 piezo drive, V-380
 PWM, V-380
 reversing, dc control signals, II-381
 servo motor amplifier, I-452, II-384
 stepper motors, III-390 half-step, IV-349 quarter-step, IV-350 two-phase, II-456
 fiber-optic, dc, variable, II-206
 hours-in-use meter, III-340
 induction motor, I-454
 load-dependent, universal motor, I-451
 mini-drill control, IV-348
 model train and/or car, I-453, I-455
 phase control, hysteresis free, I-373
 piezo motor drive, V-380
 power brake, ac, II-451
 power-factor controller, three-phase, II-388
 power-tool torque, I-458
 PWM motor controller, III-389
 PWM servo amplifier, III-379
 PWM speed control, II-376
 PWM speed control/energy-recovering brake, III-380
 self-timing control, built-in, universal motor, I-451
 servo motor amplifier, I-452, II-384
 servo system, III-384
 speed control (see speed controllers)
 start-and-run motor circuit, III-382
 stepper motors, V-571-573 half-step, IV-349 quarter-step, IV-350 speed and direction, IV-350
 tachometers, I-94, I-100, I-102, II-175, III-335, III-340, III-347, V-65, V-596-598
 analog readout, IV-280
 calibrated, III-598
 closed loop feedback control, II-390
 digital readout, II-61, III-45, IV-268-269, IV-278
 dwell meter/tachometer, III-45
 feedback control, II-378, II-390
 frequency counter, I-310
 low-frequency, III-596
 minimum-component design, I-405
 motor speed controllers, II-378, II-389
 optical pick-up, III-347
 set point, III-47
 three-phase controls, II-383, II-388
 two-phase controls, I-456, II-382
 motorcycle alarm, motion actuated, II-9
 multiburst generator, square waveform, II-88
 multimeters (see also digital multimeters (DMM)), IV-291, IV-293
 multiple-input detector, III-102
 multiplexers, III-391-397, V-382-383
 1-of-8 channel transmission system, III-395
 analog, II-392, V-383
 0/01-percent, II-392
 buffered input and output, III-396
 input/output buffer for, III-11
 single- to four-trace converter, II-431
 capacitance, II-200, II-416
 common-cathode LED-display ADC, III-764
 de-, III-394
 differential multiplexer, I-425, I-428, II-428
 driver, high-speed line driver, I-264
 eight-channel mux/demux, I-426, II-115
 four-channel, low-cost, III-394
 frequency, III-213-218
 line driver, I-264
 mathematical, one trim, III-326
 oscilloscopes, add-on, III-437
 pulse-width, III-214
 resistor, II-199
 sample-and-hold, three-channel, III-396
 two-level, III-392
 video, 1-of-15 cascaded, III-393
 wideband differential, II-428
 multiplier circuits, IV-325
 capacitance multiplier, V-205, V-347
 low-frequency multiplier, IV-325
 photomultipliers, high-volt power supply, V-444, V-445
 precise commutating amp, IV-262-263
 voltage multipliers, IV-631-637
 2,000 V low-current supply, IV-636-637
 10,000 V dc supply, IV-633
 corona wind generator, IV-633

- doublers, III-459, IV-635
 - cascaded, Cockcroft-Walton, IV-635
 - triac-controlled, III-468
 - laser power supply, IV-636
 - negative-ion generator, high-voltage, IV-634
 - tripler, low-current, IV-637
 - multivibrators, V-384-388
 - 100 kHz free running, II-485
 - astable multivibrators, II-269, II-510, II-597, III-196, III-224, III-233, III-237, III-238, V-386-388
 - bistable multivibrators, I-133, II-465
 - inverter, III-103
 - debouncer, IV-108
 - flasher, I-299, II-234
 - lamp driver, IV-160
 - pushbutton trigger, V-388
 - RS flip-flop, I-395
 - SCR, II-367
 - SR flip-flop, IV-651
 - touch-triggered, I-133
 - car battery, II-106
 - CB modulation, II-431
 - CMOS, V-385
 - current, II-203
 - duty-cycle, 50-percent, III-584
 - free-running
 - 100 kHz, I-465
 - programmable-frequency, III-235
 - with op amp, V-388
 - low-frequency, III-237
 - low-voltage, II-123
 - modulation, II-430
 - monostable multivibrators, I-465, III-229, III-230, III-235, III-237, V-386, V-387
 - input lockout, I-464
 - linear-ramp, III-237
 - photocell, monostable, II-329
 - positive-triggered, III-229
 - TTL, monostable operation, I-464
 - UJT, monostable operation, I-463
 - video amplifier and comparator, II-268
 - one-shot, I-465, I-720, II-266, II-465, III-222, III-238, III-317, III-654, V-388
 - oscilloscope, II-474
 - single-supply, III-232
 - sound level, II-403
 - square-wave generators, IV-536
 - telephonic line, II-628
 - very-low-frequency, V-385
 - wideband radiation, II-535
 - music circuits (*see also* sound generators), V-389-393
 - envelope generator/modulator, IV-22
 - instrument tune-up, audio generator, V-390
 - melody circuit, V-393
 - melody generator, single-chip design, IV-520
 - metronome (*see* metronomes)
 - MIDI receiver, V-392
 - MIDI transmitter, V-393
 - multi-tone generator, V-566
 - music maker circuit, III-360, IV-521
 - musical chimes, I-640
 - musical envelope, modulator, I-601, IV-22
 - octave equalizer, V-353
 - perfect pitch circuit, V-391
 - synthesizer, V-10-note, V-561
 - telephone music-on-hold circuit, V-601, V-605
 - mux/demux (*see* multiplexers)
- ## N
- N-phase motor drive, III-382
 - NAB preamps
 - record, III-673
 - two-pole, III-673
 - NAB tape playback pre-amp, III-38
 - nano ammeter, I-202
 - NE602
 - dc power circuit, V-358
 - input/output circuits, V-355
 - negative-ion generator, IV-634
 - neon flashers, I-303
 - five-lamp, III-198
 - two-state oscillator, III-200
 - tube, I-304
 - networks
 - crossover networks, I-172-173, II-35
 - 5V, I-518
 - ac/dc lines, electronic, I-515
 - active, I-172
 - asymmetrical third order Butterworth, I-173
 - electronic circuit for, II-36
 - filter, I-291
 - speech, telephone, II-633
 - ni-cad batteries, I-118
 - analyzer for, III-64
 - charger, I-112, I-116, III-57
 - 12 v, 200 mA per hour, I-114
 - current and voltage limiting, I-114
 - fast-acting, I-118
 - portable, IV-69
 - temperature-sensing, IV-77
 - thermally controlled, II-68
 - packs, automotive charger for, I-115
 - portable, III-47, IV-69
 - protection circuit, III-62
 - simpli-cad, I-112
 - temperature-sensing charger, IV-77
 - test circuit, IV-79
 - thermally controlled, II-68
 - zappers, I-6, II-66, II-68
 - night lights (*see* lights/light-activated and controlled circuits)
 - no-doze alarm, V-8
 - noise generators (*see* sound generators)
 - noise reduction circuits, II-393-396, III-398-401, IV-354-356, V-396-398
 - amplified noise limiter for SW receivers, V-397
 - audio clipper/limiter, IV-355
 - audio dynamic system, V-397
 - audio shunt noise limiter, IV-355
 - audio squelch, II-394
 - balance amplifier with loudness control, II-395
 - blanker, IV-356
 - clipper, II-394
 - audio-powered, III-396
 - Dolby B, decode mode, III-401
 - Dolby B, encode mode, III-400
 - Dolby B/C, III-399
 - dynamic noise reduction, III-321
 - filters (*see* filters)
 - limiter, II-395, III-321
 - low-level signal noise, V-398
 - receiver application, V-398
 - shortwave receiver noise limiter, V-397
 - noninverting amplifiers, I-32, I-33, I-41, III-14
 - ac power, I-79
 - adjustable gain, I-91
 - comparator with hysteresis in, I-153
 - high-frequency, 28-dB, III-263
 - hysteresis in, I-153
 - low-power, digitally selectable input and gain, II-334
 - power, I-79
 - programmable-gain, III-505
 - single supply, I-74
 - split supply, I-75
 - nonselective frequency tripler, transistor saturation, II-252
 - Norton amplifier, absolute value, III-11
 - notch filters (*see also* filter circuits), I-283, II-397-403, III-402-404
 - 4.5 MHz, I-282
 - 550 Hz, II-399
 - 1800 Hz, II-398
 - active band reject, II-401
 - adjustable Q, II-398, V-179
 - audio, II-400
 - bandpass and, II-223
 - high-Q, III-404, V-178
 - selectable bandwidth, I-281
 - shortwave receiver filter, V-185
 - three-amplifier design, I-281
 - tunable, II-399, II-402, V-179
 - passive-bridged differentiator, II-403
 - hum-suppressing, I-280
 - op amp, II-400
 - twin-notch for 1 kHz, V-183
 - twin-T, III-403
 - Wien bridge, II-402
 - NTSC-to-RGB video decoder, IV-613

nuclear particle detector, I-537
null circuit, variable gain, accurate,
III-69
null detector, I-148, III-162

O

octal D/A converter, V-350
ohmmeters, I-549
linear, III-540
linear scale, I-549
five-range, IV-290
ohms-to-volts converter, I-168
oil-pressure gauge, automotive,
IV-44, IV-47
on/off control, I-665
on/off inverter, III-594
on/off touch switches, II-691, III-663
one-of-eight channel transmission
system, III-100
one-shot function generators, I-465,
V-388
digitally controlled, I-720
precision, III-222
pulse generator, V-490-491
retriggerable, III-238
one-shot timers, III-654
light-controlled, III-317
voltage-controlled high-speed, II-266
op amps, II-404-406, III-405-406,
IV-357-364, V-399-403
x10, I-37
x100, I-37
astable multivibrator, III-224
audio amplifier, IV-33
bidirectional compound op amp,
IV-361
clamping for, II-22
clock circuit using, III-85
comparator, three-input and gate
comparator, IV-363,
composite amplifier, V-401, V-403
compound op-amp, IV-364
dc offset-shift tester, V-319
driver, IV-158-159
feedback-stabilized amplifier,
IV-360
free-running multivibrator, V-388
full-wave rectifier design, V-403
gain-controlled op amp, IV-361
high-gain/bandwidth, V-403
intrinsically safe protected, III-12
inverter/rectifier, programmable,
IV-364
microphone mixer, V-364
on/off switch, transistorized, IV-546
polarity gain adjustment, V-400
power op amp, V-402
power booster, IV-358
power driver circuit, IV-158-159
quad, simultaneous waveform
generator using, II-259
single potentiometer to adjust gain
over bipolar range, II-406
swing rail-ray, LM324, IV-363

temperature-compensated
breakpoint, nonlinear, V-19, V-401
tunable notch filter with, II-400
V- and I-protected, V-25
variable gain, II-405, V-402
VCO driver, IV-362
video op amp circuits, IV-615
optical circuits (*see also* lasers;
lights/light-activated and
controlled circuits),
II-407-419, IV-365-369, V-404-
409
50 kHz center frequency FM
transmitter, II-417
ac relay, III-418
two photon couplers, II-412
ac switcher, high-voltage, III-408
ambient light-ignoring optical
sensor, III-413
CMOS coupler, III-414
communication system, II-416
couplers/optocouplers, II-409, II-417
analog coupler, linear ac, II-412
analog coupler, linear, II-413
CMOS design, III-414
dc linear coupler, II-411
instrumentation, linear, II-417
optocouplers, II-409, II-417
stable, II-409
TTL design, III-416
dc latching relay, III-417
digital transmission isolator, II-414
direction discriminator, V-408
high-sensitivity, NO, two-terminal
zero voltage switch, II-414
indicator lamp driver, III-413
integrated solid state relay, II-408
interfaces,
optocouplers/optoisolators,
V-406-407
interruption sensor, IV-366
isolation and zero voltage switching
logic, II-415
isolators/optoisolators, IV-475
driver, high-voltage, III-482
telephone status monitor using,
I-626
light-detector, IV-369
line-current detector, III-414
microprocessor triac array driver,
II-410
optocoupler, V-407
interface circuits, V-406-407
optoisolator
interface circuits, V-406-407
relay circuit, IV-475
paper tape reader, II-414
photoelectric light controller,
IV-369
photoreceiver, optimized
noise/response, V-405
phototransistors
amplifier, V-409
variable-sensitivity, V-409

power outage light, line-operated,
III-415
probe, IV-369
proximity detector, V-405
pyrometer, I-654
receivers, I-364, II-418
50 kHz FM optical transmitter,
II-418
light receiver, IV-367
optical or laser light, IV-367,
IV-368
relays, III-412, III-417, III-418
dc solid-state, open/closed, III-412
safety-circuit switch, V-409
Schmitt trigger, I-362
sensor, ambient light ignoring,
III-413
sensor-to-TTL interface, III-314
source follower, photodiode,
III-419
telephone ring detector, III-611
transmitter, I-363, I-367, IV-368
light transmitter, IV-368
triggering SCR series, III-411
TTL coupler, optical, III-416
zero-voltage switching
closed half-wave, III-412
solid-state, III-410
solid-state relay, III-416
optocouplers (*see* optical circuits,
couplers)
optoisolators (*see* optical circuits,
isolators)
OR gate, I-395
organ, musical, I-415
preprogrammed single chip
microcontroller for, I-600
stylus, I-420
oscillators, II-420-429, III-420-432,
IV-370-377, V-410-421
1 kHz, II-427
1.0 MHz, I-571
2 MHz, II-571
5-V, III-432
50 kHz, I-727
400 MHz, I-571
500 MHz, I-570
800 Hz, I-68
adjustable over 10:1 range, II-423
AF power oscillator, V-412
astable, I-462, V-420
audio, I-245, III-315, III-427,
IV-374, IV-375
audio-frequency generator, V-416-
417
audio-test oscillator, V-420
basic designs, V-414
beat-frequency audio generator,
IV-371
buffer circuits, IV-89
Butler
aperiodic, I-196
common base, I-191
crystal, I-182

emitter follower, II-190-191, II-194
 cassette bias, II-426
 clock generator, I-615, III-85
 CMOS, I-615, III-429, III-430
 1 MHz to 4MHz, I-199
 crystal, I-187
 code practice, I-15, I-20, I-22, II-428, III-431, IV-373, IV-375, IV-376, V-100-103
 Colpitts crystal oscillators, I-194, I-572, II-147, V-411
 1-to-20 MHz, IV-123
 frequency checker, IV-301
 harmonic, I-189-190
 two-frequency, IV-127
 crystal (see crystal oscillators)
 double frequency output, I-314
 discrete sequence, III-421
 duty cycle
 50-percent, III-426
 variable, fixed-frequency, III-422
 emitter-coupled
 big loop, II-422
 RC, II-266
 exponential digitally controlled, I-728
 feedback, I-67
 flasher and oscillator
 high-drive, II-235
 low-frequency, II-234
 free-running, I-531
 square wave, I-615
 frequency doubled output from, II-425, II-596
 frequency switcher, V-418
 gated, I-728, V-413, V-419
 last-cycle completing, III-427
 Hall effect circuits, V-222
 Hartley, I-571, V-140
 hc-based, III-423
 HCU/HCT-based, III-426
 high-current, square-wave generator, III-585
 high-frequency, III-426
 crystal, I-175, II-148
 LC audio oscillator, V-411
 LF oscillator, V-413
 light-controlled, V-279
 load-switching, 100 mA, I-730
 local oscillator, double-balanced mixer, V-415
 low-distortion, I-570
 low-duty-cycle pulse circuit, IV-439
 low-frequency oscillators, III-428
 crystal, I-184, II-146
 oscillator/flasher, II-234
 Pierce oscillator, III-133
 TTL oscillator, II-595
 low-noise crystal, II-145
 Miller, I-193
 MOSFET mixer/oscillator for AM receivers, V-412
 NE602 local oscillator, V-411
 neon flasher, two-state, III-200
 one-second, 1 kHz, II-423
 one-shot, voltage-controlled high-speed, II-266
 overtone oscillators, I-176, I-177, I-180, I-183, I-186, II-146, III-146
 50 MHz to 100 MHz, I-181
 100 MHz, IV-124
 crystal, I-176, I-180, II-146
 crystal switching, I-183
 fifth-overtone, I-182
 third-overtone oscillator, IV-123
 phase-locked, 20-MHz, IV-374
 Pierce oscillator, V-140
 1-MHz, III-134
 crystal, II-144
 harmonic, I-199, II-192
 JFET, I-198
 low-frequency, III-133
 quadrature, I-729, III-428
 square-wave generator, III-585
 quartz, III-136
 R/C, I-612
 reflection, crystal-controlled, III-136
 relaxation, IV-376
 SCR, III-430
 resistance-controlled digital, II-426
 rf oscillators, I-550-551, I-572, V-528-532
 6.5 MHz VFO, V-529
 5 MHz VFO, II-551
 ham band VFO, V-532
 NE602 circuit, V-531
 rf-genic, II-421
 shortwave pulsed-marker, V-532
 sidetone, rf-powered, I-24
 signal generator, V-530-531
 test oscillator, V-412
 transmitter and, 27MHz and 49MHz, I-680
 RLC, III-423
 sawtooth wave, modulator, III-373
 Schmitt trigger crystal, I-181
 sine-wave (see sine-wave oscillators)
 sine-wave/square wave, tunable, I-65, III-232, IV-512
 single op amp, I-529
 siren oscillator, V-567
 square-wave, I-613-614, II-597, II-616, IV-532, IV-533, V-569
 0.5 Hz, I-616
 1kHz, I-612
 astable multivibrator and, V-386
 start-stop oscillator pulse circuit, IV-438
 switch, oscillator-triggered, V-590
 switching, 20 ns, I-729
 temperature-compensated, III-137
 crystal, I-187
 low-power 5V-driven, II-142
 temperature-stable, II-427
 third overtone, I-186, IV-123
 time base, crystal, III-133, IV-128
 timer, 500 timer, I-531
 tone-burst, decoder and, I-726
 transmitter and, 27 MHz and 49 MHz rf, I-680
 triangle-wave oscillator, V-205
 triangle/square wave, I-616, II-422
 TTL, I-179, I-613, IV-127
 1MHz to 10MHz, I-178
 1MHz to 20MHz, IV-127
 crystal, TTL-compatible, I-179
 sine wave/square oscillator, IV-512
 television display using, II-372
 tube type crystal, I-192
 tunable frequency, II-425
 tunable single comparator, I-69
 varactor tuned 10 MHz ceramic resonator, II-141
 variable oscillators, II-421
 audio, 20Hz to 20kHz, II-727
 four-decade, single control for, II-424
 sine-wave oscillator, super low-distortion, III-558
 wide range, I-730, II-429
 variable-duty cycle, III-422, V-419
 variable-frequency oscillator (see variable-frequency oscillators (VFO))
 VHF crystal oscillator
 20-MHz, III-138
 50-MHz, III-140
 100-MHz, III-139
 voltage-controlled (VCO) (see voltage-controlled oscillators)
 wide-frequency range, II-262
 wide-range, I-69, III-425
 variable, I-730, II-429
 Wien-bridge oscillators, I-62-63, I-66, I-70, II-566, III-429, III-558, IV-371, IV-377, IV-511, V-415, V-419
 CMOS chip in, II-568
 low-distortion, thermally stable, III-557
 low-voltage, III-432
 sine wave, I-66, I-70, II-566, IV-510, IV-513
 single-supply, III-558
 thermally stable, III-557
 three-decade, IV-510
 variable, III-424
 very-low-distortion, IV-513
 XOR-gate, III-429
 yelp, II-577
 oscilloscopes, II-430-433, III-433-439, V-422-426
 analog multiplexer, single- to four-trace scope converter, II-431
 beam splitter, I-474
 calibrator, II-433, III-436
 converter, I-471
 CRO doubler, III-439

oscilloscopes (*cont.*)
 eight-channel voltage display, III-435
 extender, III-434
 FET dual-trace switch for, II-432
 four-trace oscilloscope adapter,
 IV-267
 monitor, I-474
 multiplexer, add-on, III-437
 preamplifier, III-437, V-423
 counter, III-438
 instrumentation amplifiers,
 IV-230-231
 sensitivity amplifier, III-436
 spectrum analyzer adapter, V-424
 timebase generator, V-425
 trigger selector for timebase, V-425
 triggered sweep, III-438
 variable-gain amp, V-426
 voltage-level dual readout, IV-108
 outband descrambler, II-164
 out-of-bounds pulse-width detector,
 III-158
 outlet tester, V-318
 output limiter, III-322
 output-gating circuit,
 photomultiplier, II-516
 output-stage booster, III-452
 over/under temperature monitor,
 dual output, II-646
 overload indicator, V-478
 overload protector, speaker, II-16
 overspeed indicator, I-108
 overtone oscillators, I-176, I-177,
 I-180, I-183, I-186, II-146, III-146
 50 MHz to 100 MHz, I-181
 100 MHz, IV-124
 crystal, I-176, I-180, II-146
 crystal switching, I-183
 fifth-overtone, I-182
 third-overtone oscillator, IV-123
 overvoltage protection, I-150, I-517,
 II-96, II-107, II-496, III-513,
 III-762, IV-389, V-480
 comparator to detect, II-107
 monitor for, III-762
 protection circuit, II-96, II-496,
 III-513
 undervoltage and, indicator, I-150,
 III-762

P

pager, pocket-size, III-288
 PAL/NTSC decoder, RGB input,
 III-717
 palette, video, III-720
 panning circuit, two-channel, I-57
 paper-sheet discriminator, copying
 machines, III-339
 paper-tape reader, II-414
 parallel connections, telephone,
 III-611
 party-line intercom, II-303
 password protection circuit, PCs,
 V-109

pattern generator/polar-to-
 rectangular converter for radio
 direction, V-288
 PCB continuity tester, II-342, II-535
 peak detectors, II-174, II-175, II-434-
 436, III-771, IV-138, IV-143
 analog, with digital hold, III-153
 closed-loop, V-153
 decibel peak meter, III-348
 digital, III-160
 high-bandwidth, III-161
 high-frequency peak, II-175
 high-speed peak, I-232
 LED design, peak meter, III-333
 level detector, I-402
 low-drift, III-156, V-155
 negative, I-225, I-234, V-154
 op amp, IV-145
 open-loop, V-153
 positive, I-225, I-235, II-435, III-169
 true rms, I-228
 ultra-low-drift peak, I-227
 voltage, precision, I-226
 wide-bandwidth, III-162
 wide-range, III-162
 peak program detector, III-771
 peak converter, precision ac/dc,
 II-127
 people-detector, infrared-activated,
 IV-225
 period counter, 100 MHz, frequency
 and, II-136
 period-to-voltage converter, IV-115
 pest-repeller, ultrasonic, III-699,
 III-706, III-707, IV-605-606,
 V-427-428
 pH meters/probe, I-399, III-501
 phase detection/manipulation
 circuits
 detectors, I-406, I-476, II-344,
 II-439, II-441, II-442, III-440-442,
 IV-127
 10-bit accuracy, II-176
 digital VOM, IV-277
 phase-difference detector, 0- to
 180-degree, II-344
 phase selector/sync
 rectifier/balanced modulator,
 III-441
 sequencers, phase sequence, I-476,
 II-437-442, III-441
 rc circuit, phase sequence
 reversal detection, II-438
 reversal, rc circuit to detect, II-438
 three-phase tester, II-440
 shifters, phase shifters, IV-647,
 V-429-431
 0-180 degree, I-477
 0-360 degree, I-477
 eight-output, V-431
 single-transistor design, I-476
 splitter, III-582, V-430
 long-tail pair, V-430
 phase-locked loop, V-347

tracker, three-phase square wave
 generator, II-598
 phasor gun, I-606, IV-523
 phonograph-related circuits (*see*
 stereo/phonograph circuits)
 photo-conductive detector amplifier,
 four quadrant, I-359
 photo memory switch for ac power
 control, I-363
 photo stop action, I-481
 photodiode/photoelectric circuits
 ac power switch, III-319
 alarm system, I-13, II-4
 amplifiers, I-361, III-19, II-324,
 III-672
 battery charger, solar, II-71, V-327
 comparator, precision, I-360
 controller, IV-369
 current-to-voltage converter, II-228
 flasher, photocell-controlled,
 II-232
 integrator, photocurrent, II-326
 level detector, precision, I-365
 light controller, IV-369
 monostable photocell, self-adjust
 trigger, II-329
 output-gating circuit,
 photomultiplier, II-516
 PIN, thermally stabilized signal
 conditioner with, II-330
 PIN-to-frequency converters, III-120
 preamplifier for IR photodiode,
 V-226
 sensor amplifier, II-324
 smoke alarm/detectors, I-595, I-
 596
 source follower, III-419
 switches, II-321, II-326, III-318,
 III-319
 photoelectric sensor, V-277
 photography-related circuits, II-443-
 449, III-443-449, IV-378-382,
 V-432-438
 auto-advance projector, II-444
 camera alarm trigger, III-444
 camera trip circuit, IV-381
 contrast meter, II-447
 darkroom enlarger timer, III-445
 darkroom timer, V-436
 electronic flash trigger, II-448,
 III-449
 enlarger exposure meter, V-438
 enlarger light meter, V-434-435
 enlarger timer, II-446
 exposure meter, I-484, V-438
 flash meter, III-446
 flash slave driver, I-483
 flash slave unit, V-433
 flash triggers
 electronic, II-448
 remote, I-484
 sound-triggered, II-449
 time delay, V-433
 xenon flash, III-447

light meter, enlargers, V-434-435
 photo-event timer, IV-379
 photoflash, electronic, III-449
 picture fixer/inverter, III-722
 shutter speed tester, II-445
 slave-flash unit trigger, IV-380,
 IV-382, V-433, V-436
 slide projector auto advance,
 IV-381
 slide-show timer, III-444, III-448
 sound trigger for flash unit, II-449,
 IV-382
 strobe, V-435, V-436, V-437
 time-delay flash trigger, IV-380,
 V-433
 photomultipliers
 high-voltage power supply, V-444,
 V-445
 phototransistor, V-279
 amplifier, V-409
 variable-sensitivity, V-409
 timer, I-485
 xenon flash trigger, slave, III-447
 picoammeters, I-202, II-154,
 III-338
 circuit for, II-157
 guarded input circuit, II-156
 picture fixer/inverter, III-722
 Pierce oscillators, V-140
 1-MHz, III-134
 crystal, I-195, II-144
 harmonic, I-199, II-192
 JFET, I-198
 low-frequency, III-133
 piezoelectric circuits
 439-441
 alarm, I-12, V-10
 drivers, V-440
 555 oscillator, V-441
 CMOS, V-440
 micropositioner, V-440
 temperature controller, fan-based,
 III-627
 PIN photodiode-to-frequency
 converters, III-120
 pink noise generator, I-468
 pipe detector, metal pipes, V-323
 plant-watering accessories, I-443,
 II-245, II-248
 playback amplifier, tape, I-77
 PLL/BC receiver, II-526
 pocket pager, III-288
 polar-to-rectangular
 converter/pattern generator,
 radio direction finder, V-288
 polarity converter, I-166
 polarity gain adjustment, op amp
 circuit, V-400
 polarity indicator, V-231
 polarity-protection relay, IV-427
 polarity-reversing amplifiers, low-
 power, III-16
 poller, analog-to-digital converters,
 V-28
 polynomial generator, V-287
 position indicator/controller, tape
 recorder, II-615
 positive input/negative output
 charge pump, III-360
 positive regulator, NPN/PNP boost,
 III-475
 potentiometers, digital control, V-158
 power amplifiers, II-450-459,
 III-450-456
 2- to 6-watt audio amplifier with
 preamp, II-451
 10 W, I-76
 12 W low-distortion, I-76
 25 W, II-452
 90 W, safe area protection, II-459
 AM radio, I-77
 audio, II-451, III-454, IV-28-33
 20-W, III-456
 50-W, III-451
 6-W, with preamp, III-454
 booster, II-455
 bridge audio, I-81
 bull horn, II-453
 class-D, III-453
 GaAsFET with single supply, II-10
 hybrid, III-455
 inverting, I-79
 low-distortion, 12 W, I-76
 low-power audio, II-454
 noninverting, I-79
 op amp/audio amp, high-slew rate,
 I-82
 output-stage booster, III-452
 portable, III-452
 rear speaker ambience amplifier,
 II-458
 rf power amplifier
 1296-MHz solid state, III-542
 5W, II-542
 600 W, I-559
 switching, I-33
 two-meter 10 W, I-562
 walkman amplifier, II-456
 power supplies (*see also* voltage
 indicators/meters), II-460-486,
 III-464, V-448-472
 +1.5-V supply for ZN416E circuits,
 V-469
 +5 V supply, V-471
 ± 5 to ± 35 V tracking, V-469
 0- to 12-V, V-1 A variable, V-460
 13.8-Vdc, V-2 A regulated, V-459
 20-V adjustable, V-461
 5V power supply with momentary
 backup, II-464
 5V, 0.5A power supply I-491
 8- from 5-V regulator, V-469
 2,000 V low-current supply,
 IV-636-637
 AA cells, +5 V/+3.6 V, V-452
 ac outlet tester, V-318
 ac wiring locator, V-317
 ac-watts calculator, V-304
 adjustable current limit and output
 voltage, I-505
 adjustable 20-V, V-461
 amplifiers, audio,
 dual power supply, V-465
 subwoofer power supply, V-464
 antique radio dc filament supply,
 V-470
 arc lamp, 25W, II-476
 arc-jet, starting circuit, III-479
 automotive-accessory power
 controller, V-70
 backup supply, drop-in main-
 activated, IV-424
 balance indicator, III-494
 battery (*see* battery-related
 circuits)
 battery charger and, 14V, 4A, II-73
 battery power pack, I-509
 bench top, II-472
 benchtop, dual output, I-505
 bipolar
 battery instruments, II-475
 tracking double-output, V-449
 booster, I-28, I-33, V-349
 buck regulator, add 12-V output to
 5-V, V-472
 charge pool, III-469
 configurable, V-455
 connections-monitor, ac lines,
 III-510
 consumption limiters, III-572
 consumption monitor, V-290
 controllers, IV-383-389, V-111-115
 ac switches, IV-387, V-112, V-115
 ac voltage control, V-114
 automotive-accessory power,
 V-70
 bang-bang controllers, IV-389
 burst-type control, III-362
 current-loop control, SCR design,
 IV-387
 dual-control ac switch, V-115
 high-side switches, 5 V supplies,
 IV-384, IV-385
 monitor, SCR design, IV-385
 MOSFET switch, IV-386
 overvoltage protection, I-150,
 I-517, II-96, II-107, II-496,
 III-513, III-762, IV-389
 power controller, universal
 design, IV-388
 power-down circuit, V-114
 pushbutton switch, IV-388
 three-phase, power factor control,
 II-388
 converter, inductorless, V-456
 current limiter, V-146, V-358,
 V-458
 current sources, I-205, I-697,
 V-141-143
 0-to-200-nA, IV-327
 bilateral, III-469, I-694-695, V-143
 bipolar sources, I-695, I-697

- power supplies (*cont.*)
 - constant, I-697, III-472
 - fixed power supplies, IV-405, IV-406
 - low-current source, IV-399
 - low-resistance, V-142
 - negative, V-143
 - offset-adjusting, V-145
 - positive, V-142
 - precision, I-205, I-206
 - regulator, variable power supply, III-490
 - variable power supplies, voltage-programmable, IV-420
 - voltage-controlled, grounded source/load, III-468
- dc-to-dc SMPS variable 18 V to 30 V out at 0.2A, II-480
- dc power circuit, NE602-based, V-358
- delay circuit, V-148
- disconnecter, low-voltage, II-97
- dual polarity, I-497
- dual power supply, amplifiers, V-465
- failure/outage alarms/monitors, I-581-582, II-107, II-486, II-175, II-491-497, III-493-495, III-511, IV-422-427
- backup supply, drop-in main-activated, IV-424
- balance monitor, III-494
- booster/buffer, boosts reference current, IV-425
- circuit breaker, trip circuit, IV-423
- connections monitor, ac lines, III-510
- fault monitor, single-supply, III-495
- memory protector/supply monitor, IV-425
- polarity-protection relay, IV-427
- SCR design, IV-385
- test load, constant-current, IV-424
- triac for ac-voltage control, IV-426
- tube amplifier, high-voltage isolation, IV-426
- voltage sensor, IV-423
- fixed power supplies (*see* fixed power supplies)
- frequency, power/frequency meter, II-250
- fuses, V-477, V-478
- gain, power-gain test circuit, 60 MHz, I-489
- general-purpose, III-465
- glitches in, comparator to detect, II-107
- high-voltage (*see* high-voltage power supplies)
- increasing zener diode power rating, II-485
- inductorless converter, V-456
- inverters, III-298, V-457
- 12 VDC-to-117 VAC at 60 Hz, III-294
 - medium, III-296
 - MOSFET, III-295
- isolated feedback, III-460
- isolation transformer, V-349, V-470
- laptop-computer supply, V-463
- laser power supplies, IV-636, V-251, V-252, V-253, V-254
- level sensor, voltage level, III-770
- loss detector, II-175
- low-ripple, I-500
- LTC, single supply, V-454
- meters, power meters, I-489
 - audio, I-488
 - frequency and, II-250
 - rf, I-16
 - SWR, I-16
- memory save on power-down, II-486, IV-425
- micropower bandgap reference, II-470
- microprocessor power supply watchdog, II-494
- modem, power-line, III-82
- monitors, II-491-497, III-493-495, IV-422-427
 - backup supply, drop-in main-activated, IV-424
 - balance monitor, III-494
 - booster/buffer, boosts reference current, IV-425
 - circuit breaker, trip circuit, IV-423
 - connections monitor, ac lines, III-510
 - fault monitor, single-supply, III-495
 - memory protector/supply monitor, IV-425
 - polarity-protection relay, IV-427
 - SCR design, IV-385
 - test load, constant-current, IV-424
 - triac for ac-voltage control, IV-426
 - tube amplifier, high-voltage isolation, IV-426
 - voltage monitors (*see* voltage indicators/meters)
- multivoltage supply, V-458
- negative supply, V-457
- neon lamp driver, V-5- to 15-V supplies, V-459
- outage light, line-operated, III-415
- overload indicator, V-478
- overvoltage protection, I-150, I-517, II-96, II-107, II-496, III-513, III-762, IV-389, V-480
- power-down circuit, V-114
- programmable, III-467
- protection circuits, I-515, I-518, II-98, II-107, II-474, II-486, II-496, II-497, III-511, IV-425, IV-427
- push-pull, 400V/60W, II-473
- rectifiers, V-464, V-466
- reference, 0-to-20 V, I-694
- regulated power supplies
 - 8-amp, for mobile equipment operation, II-461
 - 10 A, current and thermal protection, II-474
 - 12-14 V, 3A, II-480
 - 13.8-Vdc, V-2 A, V-459
 - +15V 1-A, III-462
 - 15V 1-A, III-463
 - split, I-492
- regulator loss cutter, V-467
- regulators (*see* voltage regulators)
- reset circuit, II-366
- short-tester, V-313, V-315
- split, I-512
- stand-by, non-volatile CMOS RAMs, II-477
- subwoofer amplifier power supply, V-464
- supply-voltage monitor, V-320
- switching power supplies, II-466, II-470, III-458, V-453, V-461, V-462, V-468
 - 50-W off-line, III-473
 - 500 kHz switching inverter for 12V, II-474
 - complementary ac switch, I-379
 - power-switching circuit, II-466
 - variable, 100-KHz multiple-output, III-488
- synchronous stepdown switching regulator, V-468
- telecom converter -48 to +5 V at 1 A, V-472
- three-rail, III-466
- undervoltage detector/monitor, III-762, IV-138
- uninterruptible, II-462, III-477, V-471
- universal laboratory supply, V-450-451
- variable power supplies, III-487-492, IV-414-421
 - 0- to 12-V, V-1 A, V-460
 - current source, voltage-programmable, IV-420
- dc supplies, IV-418
- dual universal supply, 0-to-50 V, 5 A, IV-416-417
- switch-selected fixed-voltage supply, IV-419
- switching regulator, low-power, III-490
- switching, 100-KHz multiple-output, III-488
- tracking preregulator, III-492
- transformerless supply, IV-420
- universal 3-30V, III-489
- voltage regulators for variable supplies, III-490, III-492, IV-421

- voltage doubler, V-460
- voltage probes, V-474
- voltage/current regulator, V-455
- voltage regulators (*see* voltage regulators)
- voltage sensor, power supplies, IV-423
- voltage-level, III-770
- voltage sources
 - millivolt, zenerless, I-696
 - programmable, I-694
 - voltage splitter, III-738
- preamplifiers, I-41, V-26
 - antenna preamp
 - HF broadband, V-36
 - loop antenna, V-38
 - VLF 60-kHz, V-33
 - wideband, V-35
 - 6-meter, 20 dB gain and low-NF, II-543
 - 1000x, low-noise design, IV-37
- audio preamplifiers, II-45
 - 2- to 6-watt, II-451
 - 6-W and, III-454
- audio-to-UHF preamp, V-24
- bias supply, IV-318
- dual audio signal amplifiers, V-58
- electret microphone preamp, V-21
- equalized, for magnetic phono cartridges, III-671
- frequency counter/divider, III-128, V-24
- GaAsPET, rf amplifiers, V-516
- general purpose, I-84, IV-42
- handtalkies, two-meter, I-19
- HF, rf amplifiers, V-515
- IF, 30 MHz, IV-460
- IR photodiode preamp, V-226
- impedance-matching, IV-37
- instrumentation amplifier, IV-230-231
- JFET, V-22
- light-beam activated alarm circuit, V-13
- LM382 phono, I-91
- low-noise, I-88, I-561, IV-41
- magnetic, I-89, I-91, III-37, III-673, IV-35, IV-36
- medical instrument, II-349
- microphone preamplifiers, II-45, IV-37, IV-42
 - low-impedance, IV-41
 - tone control for, II-687
- transformerless, unbalanced input, I-88
- transformerless, unbalanced input, I-88
- microwave preamplifiers, IV-316-319
- mixers, I-58
- NAB preamplifiers
 - tape playback, professional, III-38
 - record, III-673
 - two-pole, III-673
- oscilloscope preamplifiers, III-437, III-438, IV-230-231, V-423
- oscilloscope/counter, III-438
- power amplifier with preamp, II-451, III-454
- read-head, automotive circuits, III-44
- receiver interface, V-243
- rf amplifiers, V-526, V-527
- RIAA, III-38
- RIAA/NAB compensation, I-92
- stereo/phonograph preamps, I-91, II-43, II-45, V-584
- low-noise, IV-36
- magnetic, I-91, III-37, III-673, IV-35, IV-36
- tone control, V-581
- tape, I-90
- thermocouple instrumentation amplifier, III-283
- tone control preamplifiers, I-675
 - high-level, II-688
 - IC, I-673, III-657
 - mixer, I-58
- transmit/receive sequencer, V-348
- UHF-TV, III-546
- ultra-low-leakage, I-38, II-7
- VHF, I-560
- VHF/UHF, rf amplifiers, V-515
- video, V-660
- preregulators
 - high-voltage power supplies, III-480
 - tracking, III-492
- prescalers
 - data circuits, low-frequency, IV-132
 - probe, amplifying, 650 MHz, II-502
- preselectors, rf amplifiers, IV-483, IV-485, IV-488
- pressure gauge, V-314
- printer-error alarm, computer circuits, IV-106
- printers
 - printer-error alarm, IV-106
 - printer sentry, computer circuits, V-107-108
 - two-sheets in printer detector, IV-136
- probes (*see also* measurement/test circuits), II-498-504, II-496-503, IV-428-434, V-473-474
- 100 K megohm dc, I-524
- ac hot wire, I-581
- audible TTL, I-524
- audio-rf signal tracer, I-527
- capacitance buffer
 - low-input, III-498
 - stabilized low-input, III-502
- clamp-on-current compensator, II-501
- CMOS logic, I-523
- FET, III-501
- general purpose rf detector, II-500
- ground-noise, battery-powered, III-500
- logic probes, I-520, I-525, I-526, IV-430-431, IV-434
- CMOS, I-523, I-526, III-499
- digital, III-497
- four-way operation, IV-432
- memory-tester, installed, I-525
- single-IC design, IV-433
- three-in-one test set: probe, signal tracer, injector, IV-429
- microvolt, II-499
- optical light probe, IV-369
- pH, I-399, III-501
- prescaler, 650 MHz amplifying, II-502
- rf, I-523, III-498, III-502, IV-433
- single injector-tracer, II-500
- test, 4-220V, III-499
- three-in-one test set: logic probe, signal tracer, injector, IV-429
- tone, digital IC testing, II-504
- universal test probe, IV-431
- process control interface, I-30, V-242
- processor, CW signal, I-18
- product detector, I-223
- programmable amplifiers, II-334, III-504-508
 - differential-input, programmable gain, III-507
 - inverting, programmable-gain, III-505
 - noninverting, programmable-gain, III-505
 - precision, digital control/programming, III-506
 - programmable-gain, selectable input, I-32
 - variable gain, wide-range digital control, III-506
- projectors (*see* photography-related circuits)
- protection circuits, II-95-99, III-509-513, V-475-483
 - 12ns circuit breaker, II-97
 - automatic power down, II-98
 - circuit breakers
 - ac, III-512
 - electronic, high-speed, II-96
 - compressor protector, IV-351
 - crowbars, electronic, II-99, III-510
 - ear protector, V-482
 - fuse, electronic, V-477
 - halogen lamp protector, V-271
 - heater protector, servo-sensed, III-624
 - line protectors, computer I/O, 3 uP, IV-101
 - line dropout detector, II-98
 - line-voltage monitor, III-511
 - loudspeaker protector, V-483
 - low-voltage power disconnecter, II-97
 - modem protector, V-479
 - modem/fax protector for two computers, V-482

- protection circuits (cont.)
 - optical safety-circuit switch, V-409
 - overload indicator, V-478
 - overvoltage protection, I-150, I-517, II-96, II-107, II-496, III-513, III-762, IV-389, V-480
 - password protection for PCs, V-109
 - polarity-protection relay for power supplies, IV-427
 - power-down, II-98
 - power-failure alarm, III-511
 - power-line connections monitor, ac, III-510
 - power supply, II-497, I-518
 - relay fuse, V-478
 - reset-protection for computers, IV-100
 - safety circuit, V-477, V-483, V-589
 - timed, V-481
 - short-tester, V-313, V-315
 - shutdown circuits, V-537-538
 - speaker protector, V-476, V-479
 - proximity sensors (*see* motion/proximity detectors)
 - pseudorandom sequencer, III-301, V-351
 - pulse circuits, IV-435-440
 - amplitude discriminator, III-356
 - coincidence detector, II-178
 - converters
 - height-to-width, III-119
 - pulse train-to-sinusoid converters, III-122
 - counter, ring counter, low-power, IV-437
 - delay, dual-edge trigger, III-147
 - detectors
 - fast pulse, V-154
 - missing pulse, V-152
 - out-of-bounds pulse width, III-158
 - sequence detector, II-172
 - divider, non-integer programmable, II-511, III-226
 - extractor, square-wave, III-584
 - generators, pulse generators, II-508-511, V-487-492
 - 2-ohm, III-231
 - 300-V, III-521
 - 555-circuit, IV-439
 - add-on, V-488
 - astable multivibrator, II-510
 - basic, V-488
 - clock, 60Hz, II-102
 - CMOS short-pulse, III-523
 - delayed-pulse, II-509, IV-440, V-492
 - divider, programmable, II-511, III-226
 - EEPROM, 5V-powered, III-99
 - free running, IV-438
 - interrupting pulse-generation, I-357
 - logic, III-520, V-489
 - logic troubleshooting applications, IV-436
 - one-shot, V-490-491
 - programmable, I-529
 - sawtooth-wave generator and, III-241, V-491
 - single, II-175
 - train, pulse train, IV-202
 - transistorized, IV-437
 - two-phase pulse, I-532
 - unijunction transistor design, I-530
 - variable duty cycle, V-492
 - very low-duty-cycle, III-521
 - voltage-controller and, III-524
 - wide-ranging, III-522
 - missing-pulse detector, V-152
 - modulators
 - pulse-position, III-375
 - pulse-width (PWM), III-376, IV-326
 - brightness controller, III-307
 - control, microprocessor selected, II-116
 - motor speed control, II-376, III-389
 - multiplier circuit, II-264, III-214
 - out-of-bounds detector, III-158
 - proportional-controller circuit, II-21
 - servo amplifier, III-379
 - speed control/energy-recovering brake, III-380
 - very short, measurement circuit, III-336
 - oscillators
 - fast, low-duty-cycle, IV-439
 - start-stop, stable design, IV-438
 - pulse-position modulator, III-375
 - stretchers, IV-440
 - negative pulse stretcher, IV-436
 - positive pulse stretcher, IV-438
 - supply circuit, high-voltage power supplies, IV-412
 - width, out-of-bounds pulse width detector, III-158
 - pulse-dialing telephone, III-610
 - pulse-width-to-voltage converters, III-117
 - pulse-width modulators (PWM), III-376, IV-326
 - brightness controller, III-307
 - control, microprocessor selected, II-116
 - motor speed control, II-376, III-389
 - multiplier circuit, II-264, III-214
 - out-of-bounds detector, III-158
 - proportional-controller circuit, II-21
 - servo amplifier, III-379
 - speed control/energy-recovering brake, III-380
 - very short, measurement circuit, III-336
 - pulse/tone dialer, single-chip, III-603
 - pulsers, laser diode, III-311
 - pump circuits
 - controller, single chip, II-247
 - positive input/negative output charge, I-418
 - push switch, on/off, electronic, II-359
 - push-pull amplifier, Darlington, V-22
 - push-pull power supply, 400V/60W, II-473
 - pushbutton power control switch, IV-388
 - PUT circuits
 - battery chargers, III-54
 - long-duration timer, II-675
 - pyrometer, optical, I-654
- ## Q
- Q-multipliers
 - audio, II-20
 - transistorized, I-566
 - QRP circuits
 - 18-, V-21-, V-24-MHz, V-644-645, V-644
 - CW transmitter, III-690
 - sidetone generator/code practice oscillators, V-102
 - SWR bridge, III-336
 - transmitters, V-10-M DSB with VFO, V-638-639
 - quad op amp, simultaneous waveform generator using, II-259
 - quadrature oscillators, III-428
 - square-wave generator, III-585
 - quiz master game, V-210
- ## R
- race-car motor/crash sound generator, III-578
 - radar detectors, II-518-520, IV-441-442
 - one-chip, II-519
 - radiation detectors, II-512-517
 - alarm, II-4
 - micropower, II-513
 - monitor, wideband, I-535
 - photomultiplier output-gating circuit, II-516
 - pocket-sized Geiger counter, II-514
 - radio/rt circuits
 - AM radio
 - car-radio to short-wave radio converter, IV-500
 - demodulator, II-160
 - power amplifier, I-77
 - receivers, II-525, III-81, III-529, III-535, IV-455, V-496, V-497, V-502
 - AM/FM radio
 - clock radio, I-543
 - squelch circuit, II-547, III-1
 - amateur radio, III-260, III-534, III-675
 - transceiver relay interface, V-243
 - VFO, V-532
 - voice identifier, V-550
 - amplifiers (*see* rf amplifiers)

antique radio dc filament power supply, V-470

attenuator, IV-322

automotive receiver, II-525

bridge, V-50-MHz bridge circuit, V-303

broadband, II-546, III-264, IV-271

burst generators, portable, III-73

calibrator, V-298

carrier-current circuits, III-78-82, IV-91-93

AM receiver, III-81

audio transmitter, III-79

data receiver, IV-93

data transmitter, IV-92

FM receiver, III-80

intercom, I-146

power-line modem, III-82

receivers, I-141, I-143, I-145, I-146

relay, I-575, IV-461

remote control, I-146

transmitters, I-144

IC, I-145

on/off 200kHz line, I-142

clock, I-542

converters, IV-494-501

ATV receiver/converter, 420 MHz, low-noise, IV-496, IV-497

radio beacon converter, IV-495

receiver frequency-converter stage, IV-499

SW converter for AM car radio, IV-500

two-meter, IV-498

up-converter, TVRO subcarrier reception, IV-501

VLF converter, IV-497, V-121

WWV for car radio, V-119

WWV-to-SW converter, IV-499

receiving converter, 220 MHz, IV-500

current readout, I-22

CW-related circuits

filter, razor sharp, II-219

keying circuits, IV-244

offset indicator, IV-213

SSB/CW product detector, IV-139

SSB/CW receiver, V-499

transceiver, 5 W, 80-meter, IV-602

transmitters, III-678, III-684, III-686, III-690, IV-601

detector, II-500, IV-433

direction finder, radio signals, IV-148-149

polar-to-rectangle converter/pattern generator, V-288

double-sideband suppressed-carrier modulator, III-377

rf, II-366

FM radio, I-545

5 V, I-233

12 V, I-233

clock radio, AM/FM, I-543

demodulators, I-544, II-159, II-161

IF amplifier with quadrature detector, TV sound IF, I-690

generators, low-frequency, III-228

receivers, I-338, I-361, III-80, III-530, III-532, V-495

snooper, III-680

speakers, remote, carrier-current system, I-140

squelch circuit for AM, I-547

stereo demodulation system, I-544, II-159

transmitters, I-361, I-367, I-681, II-417, III-687-688, IV-228

tuner, I-231, III-529

wireless microphone, III-682, III-685, III-691

gerie, II-421

input circuits, NE602, V-500

measurement/test circuits, IV-297-303, V-412

modulators, I-436, II-369, III-372, III-374

oscillators, I-550-551, I-572, V-528-532

5 MHz VFO, II-551

6.5 MHz VFO, V-529

ham band VFO, V-529

NE602 circuit, V-531

transmitter and, 27MHz and 49MHz, I-680

rf-gerie, II-421

shortwave pulsed-marker, V-532

sidetone, rf-powered, I-24

signal generator, V-530-531

output indicator, IV-299

power meters, I-16, I-24, III-332, III-592

portable-radio 3 V fixed power supplies, IV-397

probe, I-523, III-498, III-502

radio beacon converter, IV-495

radio-commercial zapper, V-334-335

receivers

AM radio, II-525, III-81, III-529, III-535, IV-455, V-496, V-497, V-502

automotive receiver, II-525

carrier-current, I-141, I-143, I-145, I-146

CW/SSB receiver, V-80- and 40-meter, V-499

data receiver, IV-93

FM radio, I-338, I-361, III-80, II-529, III-530, III-532, V-495

old-time design, IV-453

radio-control receiver/decoder, I-574

reflex radio receiver, IV-452

short-wave receiver, IV-454

superheterodyne, V-503

TRF radio receiver, IV-452

VLF whistler, V-496

shortwave transmissions converters, III-114, IV-500

FET booster, I-561

receiver, IV-454

single-sideband (SSB) communications

CW/SSB product detector, IV-139

driver, low-distortion 1.6 to 30MHz, II-538

generators, IV-323

transmitter, crystal-controlled LO for, II-142

signal tracer probe, audio, I-527

sniffer, II-210

static detector, IV-276

superheterodyne receivers, V-503

switch, low-cost, III-361

VHF/UHF diode switch, IV-544

VLF converter, V-121

VLF whistler receiver, V-496

voltmeter, I-405, III-766

WWV converter for car radio, V-119

radio beacon converter, IV-495

radio-control circuits (*see also* remote control devices)

audio oscillator, II-567, III-555

motor speed controller, I-576

phase sequence reversal by, II-438

oscillator, emitter-coupled, II-266

receiver/decoder, I-574

single-SCR design, II-361

radioactivity (*see* radiation detectors)

rain warning beeper, II-244, IV-189

RAM, non-volatile CMOS, stand-by power supply, II-477

ramp generators, I-540, II-521-523, III-525-527, IV-443-447

555 based, V-203

accurate, III-526

integrator, initial condition reset, III-527

linear, II-270

variable reset level, II-267

voltage-controlled, II-523

ranging system, ultrasonic, III-697

RC decade box, V-294-295

reaction timer, IV-204

read-head pre-amplifier, automotive circuits, III-44

readback system, disc/tape phase modulated, I-89

receivers, (*see also* transceivers; transmitters), II-524-526, III-528-535, IV-448-460, V-493-503

50kHz FM optical transmitter, I-361

acoustic-sound receiver, IV-311

AGC system for CA3028 IF amplifier, IV-458

- delay and controls closure time, II-530
- with strobe, I-266
- fuse, V-478
- latching relay, solid-state, V-505
- light-beam operated on/off, I-366
- light-sensitive, V-278
- monostable relay, low-consumption design, IV-473
- optically coupled relays
 - ac, III-418
 - dc latching, III-417
 - optoisolator, IV-475
 - polarity-protection for power supplies, IV-427
- pulsar, sensor-activated, V-507
- rf-actuated, III-270
- ringer, telephone, III-606
- solid-state relays, I-365, I-623, II-408, III-412, III-416, III-569-570, IV-472, IV-474, V-505-506
- sound actuated, I-576, I-610
- telephone, I-631
- time delayed, I-219, I-663, V-506
- tone actuated, I-576
- TR circuit, II-532
- triac, contact protection, II-531
- remote control devices (*see also* infrared; radio-control circuits), IV-224, V-229, V-508-513
- A/B switch, IR-controlled, V-225
- ac switch hookup, two-way, V-592
- amplifier, I-99
- analyzer, V-224
- carrier, current, I-146
- drop-voltage recovery for long-line systems, IV-328
- extender, infrared, IV-227, V-512
- fax/telephone switch, IV-552-553
- infrared circuit, IV-224
- lamp or appliance, I-370
- loudspeaker via IR link, I-343
- loop transmitter for, III-70
- on/off switch, I-577
- receiver, V-510, V-513
- ringer, telephone, III-614
- sensor, temperature transducer, I-649
- servo system, I-575
- telephone monitor, II-626
- temperature sensor, II-654
- tester, infrared, IV-228, V-228, V-229
- thermometer, II-659
- transmitter, V-509, V-513
 - interface, V-511
 - ultrasonic, V-512
- transmitter/receiver, IR, I-342
- video switch, IV-619-621
- repeaters
 - beeper, I-19
 - European-type, tone burst generator for, III-74
 - fiber optic link, I-270
 - telephone, III-607
- reset buttons
 - child-proof computer reset, IV-107
 - power-on, II-366
 - protection circuit for computer, IV-100
- resistance controller, digital, V-159
- resistance/continuity testers, I-550, I-551, II-342, II-533, II-534, II-535, III-345, III-538-540, IV-287, IV-289, IV-295, IV-296
- audible, V-317
- audible, adjustable, II-536
- buzz box, I-551
- cable tester, III-539
- latching design, IV-295
- low-resistance circuits, V-319
- ohmmeter, linear, III-540
- PCB, II-342, II-535
- rationometric, I-550
- RC decade box, V-294-295
- resistance-ratio detector, II-342
- single chip checker, II-534
- visual, V-293
- resistance-to-voltage converter, I-161-162
- resistor multiplier, II-199
- resistors, voltage-controlled, I-422
- resonator oscillator, varactor tuned 10 MHz ceramic, II-141
- restorer, video dc, III-723
- reverb effect
 - analog delay line, IV-21
 - stereo system, I-602, I-606
- reversing motor drive, dc control signal, II-381
- rf amplifiers, II-537-549, III-542-547, IV-476-493, V-514-527
 - 1 W, 2.3 GHz, II-540
 - 2 meter FET power amplifier, V-521
 - 10 W, 225-400 MHz, II-548
 - 10-W, 10-M linear amplifier, V-520
 - 10 dB-gain, III-543
 - 2- to 30 MHz, III-544
 - 4 W amp for 900 MHz, IV-477
 - 5 W 150-MHz, III-546
 - 5 W power, II-542
 - 6-meter kilowatt, II-545
 - 6-meter preamp, 20dB gain and low-NF, II-543
 - 20 W, V-1296-MHz module, V-522
 - 20 W, V-450 MHz amplifier, V-519
 - 30 MHz, V-519
 - 60 W 225-400 MHz, III-547
 - 125 W, 150 MHz, II-544
 - 455-kHz IF amplifier, V-522, V-523, V-524
 - 500 MHz, IV-491
 - 1,296 MHz, IV-486
 - 1,500 W, IV-478-479
- AGC, wideband adjustable, III-545
- broadcast-band, III-264, II-546, IV-487, V-516, V-517
- buffer amplifier with modulator, IV-490
- cascode amplifier, IV-488
- common-gate, 450-MHz, III-544
- GaAsFET preamplifier, V-435 MHz, V-516
- HF preamplifier, V-515
- HF/VHF switchable active antenna, V-524
- IF amplifier, V-455-kHz, V-522, V-523, V-524
- IF amplifiers, V-45-MHz, crystal filter, V-527
- isolation amplifier, II-547
- LC tuned, V-525
- linear amplifiers, IV-480-485, V-520
- low-distortion 1.6 to 30MHz SSB driver, II-538
- meter-driver, 1-MHz, III-545
- MOSFET rf-amp stage, dual-gate, IV-489
- power amplifiers, I-559, II-542, III-542, V-517, V-519, V-521, V-525
- preamplifiers, V-527
 - GaAsFET, V-516
 - HF, V-515
 - receiver/scanner with MAR-1 MMIC, V-521
 - VHF/UHF, V-515
 - wideband, V-526
- preselectors, IV-483, IV-485, IV-488
- receiver/scanner preamp with MAR-1 MMIC, V-521
- TV sound system, V-519
- UHF, V-523
- UHF-TV amp/preamp, III-546, IV-482, IV-483
- VHF/UHF preamplifier, V-515
- wideband amplifiers, IV-479, IV-489, IV-490-493, V-518, V-519, V-526
- rf circuits (*see* radio/rf)
- RGB video amplifier, III-709
- RGB-composite video signal converter, III-714
- RGB-to-NTSC converter, IV-611
- ring counters
 - 20 kHz, II-135
- incandescent lamps, I-301
- low-cost, I-301
- pulse circuit, low-power, IV-437
- SCR, III-195
- variable timing, II-134
- ring launcher game,
 - electromagnetic, V-209
- ring-around flasher, LED, III-194
- ringers, telephone, I-628, IV-556
- detectors, ring detectors, I-634, I-635, III-611, III-619
- extension-phone ringer, IV-561
- high-isolation, II-625
- multi-tone, remote programmable, II-634
- musical, II-619

ringers, telephone (*cont.*)
 piezoelectric, I-636
 plug-in, remote, II-627
 relay, III-606
 remote, II-627, III-614, IV-562
 silencer, IV-557
 tone, I-627, I-628, II-630, II-631
 ripple suppressor, IV-175
 fixed power supplies, IV-396
 RLC oscillator, III-423
 rms-to-dc converter, I-167, II-129
 thermal, 50-MHz, III-117
 true rms detector, I-228
 road ice alarm, II-57
 robots
 eyes for, II-327
 light-seeking, II-325
 rocket launcher, II-358
 room monitor, V-369
 root extractor, V-207, V-288
 rotation detector, II-283
 roulette, electronic, II-276, IV-205
 RS-232 interface
 CMOS-to, line receiver, III-102
 datasector, automatic, III-97
 drive circuit, low-power, III-175
 LED circuit, III-103
 line-driven CMOS circuits, IV-104
 RS flip-flop, I-395
 RTD signal conditioners
 5V powered linearized platinum,
 II-650
 precision, linearized platinum,
 II-639
 RTTY machines, fixed current
 supply, IV-400
 rumble filters, III-192, III-680,
 IV-175
 LM387 in, I-297
 turntable, IV-170

S

S meter, III-342, V-311
 safe area protection, power
 amplifier with, III-459
 safety circuits (*see* protection
 circuits)
 safety flare, II-608
 Sallen-Key filters
 10 kHz, I-279
 500 Hz bandpass, I-291
 current driven, V-189
 low-pass
 active, IV-177
 equal component, I-292
 second order, I-289
 sample-and-hold circuits, I-590,
 II-552-559, III-548-553,
 V-502-503, V-533-534
 x 1000, I-589
 charge-compensated, II-559
 dc-glitch circuit, V-336-337
 fast and precise, II-556
 filtered, III-550
 frequency-to-voltage conversion,
 IV-194
 high-accuracy, I-590
 high-performance, II-557
 high-speed, I-587-588, I-590, III-550
 infinite, II-558
 inverting, III-552
 JFET, I-586
 low-drift, I-586
 offset adjustment for, I-588
 three-channel multiplexer with,
 III-396
 track-and-hold, III-549, III-552
 sampling circuit, hour time delay,
 II-668
 saturated standard cell amplifier,
 II-296
 sawtooth waves
 converter, IV-114
 generator,
 digital design, IV-444, IV-446,
 V-491
 linear, V-205
 triggered, V-204
 oscillator modulator, III-373
 pulse generator and, III-241
 SCA (*see* silicon-controlled
 amplifiers)
 scale, I-398, V-297
 scaler, inverse, I-422
 scanner, bar codes, III-363
 scanners, receiver/scanner preamp
 with MAR-1 MMIC, V-521
 Schmitt triggers, I-593, III-153, V-356
 crystal oscillator, I-181
 programmable hysteresis, I-592
 square-wave generators, V-569,
 V-570
 transistorized, V-204
 TTL-compatible, II-111
 without hysteresis, I-592
 SCR (*see* silicon-controlled
 rectifiers)
 scramblers, audio (*see also* sound
 generators; voice-activated
 circuits), IV-25-27
 telephone, II-618
 voice scrambler/descrambler,
 IV-26, IV-27
 scratch filters, III-189, IV-175
 LM287 in, I-297
 second-audio program (SAP)
 adapter, III-142
 security circuits (*see* alarms;
 annunciators)
 sense-of-slope tilt meter, II-664
 sensors (*see* alarms; fluid and
 moisture; light-controlled
 circuits; motion/proximity
 detectors; motor control
 circuits; smoke detectors; speed
 controllers; temperature-related
 circuits; tone controls)
 sequence indicator, phase, I-476
 sequencer, pseudorandom, III-301
 sequential flashers, I-109, II-233,
 II-238
 sequential timer, III-651
 series connectors, telephone, III-609
 servo amplifiers (*see also* motor
 controls), I-452
 400 Hz, II-386
 bridge type ac, I-458
 dc, I-457
 motor drive amplifier, II-384
 servo systems (*see also* motor
 controls)
 controller, III-384
 remote control, I-575
 shaper, sine wave, II-561
 shift registers, I-380, II-366
 driver for, I-418
 shifter, phase (*see* phase)
 ship siren, electronic, II-576
 short-circuit proof lamp driver,
 II-310
 short-circuit tester/sensor, V-315
 computer remote data lines, IV-102
 for 120-V equipment, V-313
 shortwave transmissions
 converters, III-114, IV-500, V-118
 FET booster, I-561
 noise limiter, V-397
 notch filter, V-185
 pulsed-marker rf oscillator, V-532
 receiver, IV-454, V-501
 shunt, multimeter shunt, IV-293
 shutdown circuits (*see* protection
 circuits)
 shutoff, automatic, battery-powered
 projects, III-61
 shutter speed tester, II-445
 sidetone oscillator, rf-powered, I-24
 signal amplifiers, audio, II-41-47,
 IV-34-42
 signal attenuator, analog,
 microprocessor-controlled,
 III-101
 signal combiner, III-368
 signal conditioners, IV-649
 5V powered linearized platinum
 RTD, II-650
 bridge circuit, strain gauge, II-85
 linearized RTD, precision design,
 II-639
 LVDT, II-338
 thermally stabilized PIN
 photodiode, II-330
 signal distribution amplifier, I-39
 signal generators (*see* function
 generators; sound generators;
 waveform generators)
 signal injectors, III-554-555
 signal sources, crystal-controlled,
 II-143
 signal tracer, V-309
 three-in-one set: logic probe, signal
 tracer, injector, IV-429

- signal-strength meters, III-342, IV-166
- silent alarm, V-16
- silicon-controlled amplifiers (SCA), V-535
 - decoder, I-214, II-166, II-170
 - demodulator, II-150, III-565
 - MPX-SCA receiver, III-530
 - subcarrier adapter for FM tuners, V-536
- silicon-controlled rectifiers (SCR)
 - circuits
 - annunciator, self-interrupting load, IV-9
 - chaser, III-197
 - crowbar, II-496
 - flashers, II-230, III-197
 - chaser, III-197
 - relaxation, II-230
 - ring counter, III-195
 - flip-flop, II-367
 - full-wave, I-375
 - gas/smoke detector, III-251
 - preregulator, II-482
 - proximity alarm, III-517
 - radio control using, II-361
 - relaxation flasher, II-230
 - relaxation oscillator, III-430
 - ring counter, III-195
 - tester, III-344
 - time delay circuit with, II-370
 - triggering series, optically coupled, III-411
- simulators
 - EKG, three-chip, III-350
 - inductor, II-199
 - VOR signals, IV-273
- sine-to-square wave converter, IV-120, V-124, V-125, V-569, V-570
- sine-wave descrambler, II-163
- sine-wave generators, IV-505, IV-506, V-542, V-543, V-544
 - 60 Hz, IV-507
 - audio, II-564
 - battery powered, V-541
 - LC, IV-507
 - LF, IV-512
 - oscillator, audio, III-559
 - square-wave and, tunable oscillator, III-232
 - VLF audio tone, IV-508
- sine-wave oscillators, I-65, II-560-570, III-556-559, III-560, IV-504-513, V-539-544
 - 1-Hz, V-542
 - 60-Hz, highly stable, V-540
 - 555 used as RC audio oscillator, II-567
 - adjustable, II-568
 - audio, II-562, II-564, III-559
 - generators (*see* sine-wave generators)
 - LC oscillator, low-frequency, IV-509
 - low-distortion, II-561
 - one-IC audio generator, II-569
 - phase-shift, audio ranging, IV-510
 - programmable-frequency, III-424
 - relaxation, modified UJT for clean audio sinusoids, II-566
 - shaper, sine-wave, V-543
 - sine wave shaper, II-561
 - sine/square wave TTL oscillator, IV-512
 - two-tone generator, II-570
 - two-transistor design, IV-508
 - variable, super low-distortion, III-558
 - very-low-distortion design, IV-509
 - voltage-controlled oscillator, V-666
 - Wien-bridge, I-66, I-70, II-566, IV-510, IV-513, V-541
- sine-wave output buffer amplifier, I-126
- sine/cosine generator, 0.1 to 10 kHz, II-260
- sine/square wave converter, I-170
- sine/square wave oscillators, I-65
 - easily tuned, I-65
 - TTL design, IV-512
 - tunable, III-232
- single-pulse generator, II-175
- single-sideband (SSB)
 - communications
 - CW/SSB product detector, IV-139
 - CW/SSB receiver, V-499
 - driver, low-distortion 1.6 to 30MHz, II-538
 - generators, IV-323
 - transmitter, crystal-controlled LO for, II-142
- sirens (*see also* alarms; sound generators), I-606, II-571, III-560-568
 - alarm using, II-572, II-573, IV-514-517
 - 7400, II-575
 - adjustable-rate programmable-frequency, III-563
 - electronic, III-566, IV-515, IV-517
 - generator for, II-572
 - hee-haw, II-578, III-565
 - high-power, II-578
 - linear IC, III-564
 - low-cost design, IV-516
 - multifunction system for, II-574
 - ship, electronic, II-576
 - sonic defender, IV-324
 - Star Trek red alert, II-577
 - tone generator, II-573
 - toy, II-575
 - TTL gates in, II-576
 - two-state, III-567
 - two-tone, III-562
 - varying frequency warning alarm, II-579
 - wailing, III-563
 - warble-tone siren, IV-515, IV-516, V-7
- whooper, IV-517
- yelp oscillator, II-577, III-562
- slave-flash trigger, IV-380, IV-382
- slide timer, III-444, III-448
- slot machine, electronic, V-211
- smart clutch, auto air conditioner, III-46
- smoke alarms and detectors, II-278, III-246-253
 - gas, I-332
 - ionization chamber, I-332-333
 - line-operated, IV-140
 - operated ionization type, I-596
 - photoelectric, I-595, I-596
- sniffers
 - heat, electronic, III-627
 - rf, II-210
- snooper, FM, III-680
- socket debugger, coprocessor, III-104
- soil heater for plants, V-333
- soil moisture meter, III-208
- solar circuits (*see* photodiode/photoelectric circuits)
 - soldering iron control, V-327
 - soldering station, IR-controlled, IV-225
- solenoid drivers, I-265, III-571-573
 - 12-V latch, III-572
 - hold-current limiter, III-573
 - power-consumption limiter, III-572
- solid-state devices
 - ac relay, III-570
 - electric fence charger, II-203
 - high-voltage supply, remote adjustable, III-486
 - light sources, V-282-283
 - load-sensing switch, V-285
 - relays, III-569-570, V-505, V-506
 - stepping switch, II-612
 - switch, line-activated, telephone, III-617
- sonic defender, IV-324
- sound-activated circuits (*see* sound-operated circuits)
 - sound effects (*see* sound generators)
 - sound generators (*see also* burst generators; function generators; sirens; waveform generators), I-605, II-585-593, III-559-568, III-575, IV-15-24, IV-518-524, V-394-395, V-556-567
 - acoustic field generator, V-338-341
 - alarm-tone generator, V-563
 - amplifier, voltage-controlled, IV-20
 - amplifier/compressor, low-distortion, IV-24
 - allophonic, III-733
 - audio-frequency generator, V-416-417
 - audio tone generator, VLF, IV-508

sound generators (cont.)
 autodrum, II-591
 bagpipes, electronic, III-561, IV-521
 beat-frequency, IV-371
 beeper, V-558
 bird chirp, I-605, II-588, III-577
 bongos, II-587
 canary simulator, V-557
 chime generator, II-604, IV-524
 chug-chug, III-576
 dial tone, I-629, III-609
 ditherizing circuit, digital audio use, IV-23
 doorbell, musical tones, IV-522
 doubler, audio-frequency doubler, IV-16-17
 dual-tone sounder, V-564
 echo and reverb, analog delay line, IV-21
 electronic, III-360
 envelope generator/modulator, II-601
 equalizer, IV-18
 fader, IV-17
 frequency-shift keyer, tone-generator test circuit, I-723
 funk box, II-593
 fuzz box, II-590, III-575
 gong, electronic, V-563
 guitar compressor, IV-519
 harmonic generator, I-24, IV-649
 high-frequency signal, III-150
 hold for telephone, II-623
 instrument tune-up, audio generator, V-390
 low-level sounder, V-564
 noise generators, I-467, I-468, I-469, IV-308, V-395
 octave-shifter for musical effects, IV-523
 one-IC design, II-569
 perfect pitch circuit, V-391
 phasor sound generator, IV-523
 pink noise, I-468
 portable, I-625
 pulsed-tone alarm, V-559
 race-car motor/crash, III-578
 run-down clock for games, IV-205
 sound effects, III-574-578
 siren, V-559, V-565, V-567
 sound-effects generator, V-565
 space-age sound machine, V-562
 spaceship alarm, V-560
 speech detectors, II-617, III-615
 steam locomotive whistle, II-589, III-568
 steam train/prop plane, II-592
 stereo system, derived center-channel, IV-23
 super, III-564
 synthesizer, II-599, V-561
 telephone call-tone generator, IV-562
 telephone ringer, II-619
 tone burst generator, repeater, V-629
 tone chime, V-560
 tone generators, I-604, I-625
 top octave generator, V-393
 Touchtone dial-tone, telephone, III-609
 train chuffer, II-588
 tremolo circuits, III-692-695, IV-589
 twang-twang, II-592
 two-tone, II-570, V-629
 ultrasonic sound source, IV-605
 very-low-frequency, I-64
 vocal eliminator, IV-19
 voice circuits, III-729-734
 waa-waa circuit, II-590
 warbling tone, II-573
 white noise, IV-201
 sound-operated circuits (*see also* ultrasonic circuits; voice-operated circuits), II-580-584, III-579-580, IV-525-528, V-545-555
 amplifier, gain-controlled, IV-528
 color organ, II-583, II-584
 decoder, III-145
 fader, V-549
 flash triggers, I-481, II-449, IV-382
 kalcidoscope, sonic, V-548-549
 lights, I-609, V-552
 memo alert, V-352
 noise clipper, I-396
 relay, I-608, I-610
 sleep-mode circuit, V-547
 switch, II-581, III-580, III-600, III-601, IV-526-527, V-553, V-555, V-590
 ac, II-581
 two-way, I-610
 voice-operated, III-580, IV-527
 speech activity detector, telephone, III-615
 voice-operated switch, III-580
 vox box, II-582
 whistle-activated switch, V-551
 sources (*see* current sources; voltage sources)
 source followers
 bootstrapped, V-20
 JFET, V-20
 photodiode, III-419
 SPDT switch, ac-static, II-612
 space-age sound machine, V-562
 space war, I-606
 spaceship alarm, V-560
 speaker systems
 FM carrier current remote, I-140
 hand-held transceiver-amplifiers, III-39
 overload protector for, II-16
 protection circuit, V-476, V-479
 wireless, II, III-272
 speakerphone, II-611, III-608
 spectrum analyzer adapter, oscilloscopes, V-424
 speech-related circuits
 activity detector, II-617, III-619
 compressor, II-15
 filter
 300 Hz-3kHz bandpass, I-295
 second-order, 300-to-3,400 Hz, IV-174
 speech-range bandpass filter, V-185
 two-section, 300-to-3,000 Hz, IV-174
 network, II-633
 scrambler, V-554
 speed alarm, I-95
 speed controllers (*see also* motor control), I-450, I-453, II-378, II-379, II-455, V-380, V-381
 back EMF PM, II-379
 cassette-deck motor speed calibrator, IV-353
 closed-loop, III-385
 fans, automatic, III-382
 feedback speed, I-447
 dc motors, I-452, I-454, III-377, III-380, III-388
 dc variable, fiberoptic, II-206
 feedback, I-447
 fixed, III-387
 high-efficiency, III-390
 high-torque motor, I-449
 light-activated/controlled, IV-247
 load-dependent, I-451
 model trains and/or cars, I-453, I-455, IV-338-340
 motor (*see* motor controls; tachometers)
 power tool torque, I-458
 PWM, II-376, III-380, V-381
 radio-controlled, I-576
 series-wound motors, I-448, II-456
 shunt-wound motors, II-456
 stepper motors, direction and speed control, IV-350
 switched-mode, III-384
 tachometers, I-94, I-100, I-102, II-175, III-335, III-340, III-347
 analog readout, IV-280
 calibrated, III-598
 closed loop feedback control, II-390
 digital readout, II-61, III-45, IV-268-269, IV-278
 dwell meter/tachometer, III-45
 feedback control, II-378, II-390
 frequency counter, I-310
 low-frequency, III-596
 minimum-component design, I-405
 motor speed controllers, II-378, II-389
 optical pick-up, III-347
 set point, III-47

tachometerless, III-386, IV-349
 tools and appliances, I-446
 universal motors, I-457, II-451
 speed warning device, I-96, I-101
 speedometers, bicycle, IV-271, IV-282
 splitters, III-581-582
 battery, III-66
 phase, precision, III-582
 precision phase, I-477
 voltage, III-738, III-743
 wideband, III-582
 squarer, precision, I-615
 square-wave generators, II-594-600,
 III-583-585, IV-529-536,
 V-568-570
 1 kHz, IV-536
 2 MHz using two TTL gates, II-598
 10-Hz to 10-kHz VCO, V-570
 60-Hz, V-569
 555 timer, II-595
 astable circuit, II-597, IV-534
 CMOS 555 astable, true rail-to-rail,
 II-596
 duty-cycle multivibrator, III-50-
 percent, III-584
 four-decade design, IV-535
 high-current oscillator, III-585
 line frequency, II-599
 low-frequency TTL oscillator, II-595
 multiburst generator, II-88
 multivibrator, IV-536
 oscillators, I-613-614, II-597, II-616,
 IV-532, IV-533, V-569
 0.5 Hz, I-616
 1kHz, I-612
 frequency doubled output, II-596
 phase-tracking, three-phase, II-598
 pulse extractor, III-584
 quadrature-outputs oscillator,
 III-585
 Schmitt trigger, V-569, V-570
 sine-wave and, tunable oscillator,
 III-232
 sine-to-square wave converter,
 V-569, V-570
 three-phase, II-600
 tone-burst generator, single tuner
 IC, II-89
 triangle-wave and, III-239
 precision, III-242
 programmable, III-225
 wide-range, III-242
 TTL, LSTTL, CMOS designs,
 IV-530-532
 variable duty-cycle, IV-533
 variable-frequency, IV-535, V-570
 square-wave oscillator
 astable multivibrator and, V-386
 square-to-sine wave converters,
 III-118
 squelch circuits, II-394
 AM/FM, I-547
 voice-activated circuits, IV-624
 squib firing circuits, II-357
 stabilizers, fixed power supplies, IV-
 393, IV-406
 staircase generators, (*see also*
 function generators; waveform
 generators), I-730, II-601-602,
 III-586-588, IV-443-447
 stand-by power supply, non-volatile
 CMOS RAMs, II-477
 standard, precision calibration, I-406
 standard-cell amplifier, saturated,
 II-296
 standing wave ratio (SWR)
 meter, IV-269
 power meter, I-16
 QRP bridge, III-336
 warning indicator, I-22
 Star Trek red alert siren, II-577
 start-and-run motor circuit, III-382
 state-of-charge indicator, lithium
 battery, II-78
 state-variable filters, II-215, III-189
 multiple outputs, III-190
 second-order, 1kHz, Q/10, I-293
 universal, I-290
 static detector, IV-276
 steam locomotive sound effects,
 II-589, II-592, III-568
 step-up switching regulator, 6V
 battery, II-78
 step-up/step-down dc-dc converters,
 III-118
 stepper motors (*see also* motor
 control circuits), V-571-573
 direction control, IV-350
 drivers, II-376, II-390
 bipolar, V-572
 FET-based, V-573
 half-step, IV-349
 quarter-step, IV-350
 dual clock circuit, V-573
 speed and direction, IV-350
 stepping switch, solid state, II-612
 stereo/phonograph (hi-fi) circuits,
 V-574-584
 acoustic field generator, V-338-341
 amplifiers, I-77, I-80-81, I-89, I-670,
 II-9, II-43, II-45, III-34, III-37,
 III-38, IV-29, IV-35, IV-36, IV-66
 bass tone control, V-584
 mini-stereo amplifier, V-583
 audio level meter, IV-310
 audio power amplifiers, V-40, V-
 48
 audio power meter, IV-306
 audio signal amplifier, V-58
 balance circuits, I-618-619, II-603-
 605, V-583
 booster amplifier for car stereo, V-72
 companion, II-12, III-93, III-95
 expander, II-13, III-93, III-95, V-582
 decoders, II-18, II-167-169
 demodulators, I-544, II-159
 derived center channel stereo
 system, IV-23
 FM stereo transmitter, V-575, V-580
 frequency decoder, II-169
 frequency division multiplex, II-169
 loudspeaker protector circuit, V-483
 mixers, I-55, IV-332
 power meter, III-331
 preamplifiers, I-90, I-91, II-43,
 II-45, III-37, III-671, III-673,
 IV-35, IV-36, V-581, V-584
 reception indicator, III-269
 reverb systems, I-602, I-606, II-9
 speaker protection circuit, V-476,
 V-479
 TDM decoder, II-168
 test circuits, I-618-619, III-269,
 III-331, IV-306, IV-310
 tone control circuit, high-Z input,
 I-676
 TV-stereo decoder, II-167, V-576-
 579, V-580
 stimulator, constant-current, III-352
 stimulus isolator, III-351
 stop light, garage, II-53
 strain gauges
 bridge excitation, III-71
 bridge signal conditioner, II-85
 instrumentation amplifier, III-280
 strobe circuits, II-606-610
 alarm system, V-6-7
 disco-, II-610
 high-voltage power supplies,
 IV-413
 safety flare, II-608
 tone burst generator, II-90
 trip switch, sound activated, I-483
 variable strobe, III-589-590
 stud finder, III-339
 subharmonic frequencies, crystal-
 stabilized IC timer, II-151
 subtractor circuit, III-327
 subwoofer amplifier, V-49, V-50
 successive-approximation A/D
 converter, I-45, II-24, II-30
 summing amplifiers, I-37, III-16
 fast action, I-36
 inverting, V-18, V-20
 precision design, I-36
 video, clamping circuit and, III-710
 sun tracker, III-318
 superheterodyne receiver, 3.5-to-10
 MHz, IV-450-451
 supply rails, current sensing in,
 II-153
 suppressed-carrier, double-
 sideband, modulator, III-377
 sweep generators (*see also* function
 generators; waveform
 generators)
 10.7 MHz, I-472
 add-on triggered, I-472
 oscilloscope-triggered, III-438
 switches and switching circuits,
 II-611-612, III-591-594, IV-537,
 V-585-593

switches and switching circuits

(cont.)

ac switches, III-408, IV-387
ac power switch, V-112, V-115
analog switches, I-621, I-622, III-593
antenna selector, electronic, IV-538-539
audio switch, eight-channel, V-588-589
audio-controlled switch, V-590
audio/video switcher circuit, IV-540-541
auto-repeat switch, bounce-free, IV-545
bidirectional relay switch, IV-472
bistable switch, mechanically controlled, IV-545
contact, I-136
controller, III-383
dark-activated, V-274, V-276
dc controlled, V-586, V-592
dc static, II-367
debouncers, III-592, IV-105, IV-106, IV-108, V-316
delay, auto courtesy light, III-42
dinner switches, I-369, II-309, IV-247, IV-249
800 W, II-309
dc lamp, II-307
four-quadrant, IV-248-249
halogen lamps, III-300
headlight, II-57, II-63
low-cost, I-373
soft-start, 800-W, I-376, III-304
tandem, II-312
triac, I-375, II-310, III-303
DTL-TTL controlled, buffered analog, I-621
fax/telephone switch, IV-552-553
FET, dc controlled, V-592
FET dual-trace (oscilloscope), II-432
flex switch, alarm sounder circuit, V-15
frequency switcher/oscillators, V-418
Hall-effect, III-257, IV-539
headlight switching circuit, V-75
hexFET switch, V-592, V-593
high-frequency, I-622
high-side power control switch, 5 V supply, IV-384, IV-385
infrared-activated, IV-345
IR-controlled A/B switch, V-225
kill-switch for batteries, V-71-72
latching, SCR-replacing, III-593
light-operated, II-320, III-314, V-274, V-278
adjustable, I-362
capacitance switch, I-132
light-controlled, II-320, III-314
photoelectric, II-321, II-326, III-319

self-latching, V-278
solar triggered, III-318
zero-point triac, II-311
load-disconnect switch, V-591
load-sensing, solid-state, V-285
mercury-switch tilt detector, V-302
MOSFET power control switch, IV-386
on/off inverter, III-594
on/off switch, I-577, II-359, IV-543, IV-546
optical safety-circuit switch, V-409
optically coupled, III-408, III-410
oscillator-triggered switch, V-590
over-temperature switch, IV-571
photo cell memory, ac power control, I-363
photoelectric, II-321, II-326
proximity, III-517
push on/off, II-359
pushbutton power control switch, IV-388
remote switches, I-630, I-577, V-592
rf switches, III-361, III-592
rotary switch, BCD digital, V-160
safety switch, V-589
satellite TV audio switcher, IV-543
solar-triggered, III-318
solid-state stepping, II-612
sonar transducer/, III-703
sound-activated, I-610, II-581, III-580, III-600, III-601, IV-526-527, V-553, V-555, V-590
speed, I-104
SPDT, ac-static, II-612
switching controller, III-383
temperature control, low-power, zero-voltage, II-640
thermostatic, for auto fan, V-68
tone switch, narrowband, IV-542
touch switches, I-131, I-135-136, II-690-693, III-661-665, IV-590-594, V-270
touchomatic, II-693
TR switch for antennas, automatic, V-37
triac switches, I-623, II-311, IV-253
two-channel, I-623
two-way switch wiring, V-591
ultrasonic, I-683
under-temperature switch, IV-570
VHF/UHF diode rf switch, IV-544
video switches, III-719, III-725, III-727, III-728, IV-618-621, V-587
video/audio switch, V-586
voice-operated, I-608, III-580, IV-527, V-553
whistle-activated switch, V-551
wiring for two-way switch, V-591
zero crossing, I-732
zero point, I-373, II-311
zero-voltage switching, I-623, III-410, III-412

switched-mode power supplies, II-470, III-458
24- to 3.3-V, V-462
5- to 3.3-V, V-462
50 W, off-line, III-473
100 kHz, multiple-output, III-488
converter, V-461
synchronous stepdown regulator, V-468
voltage regulators for switched supplies, V-453
3 A, III-472
5 V, 6 A, 25 μ Hz, separate ultrastable reference, I-497
6 A variable output, I-513
200 kHz, I-491
application circuit, 3W, I-492
fixed power supplies, 3 A, IV-408
high-current inductorless, III-476
low-power, III-490
multiple output MPU, I-513
positive, I-498
step-down, I-493
step-up, 6V battery, II-78
converter, +50V push pull, I-494
inverter, 500 kHz, 12 V, II-474
power amplifier, I-33
switched light, capacitance, I-132
switching/mixing, silent audio, I-59
sync circuits, V-594-595
combiner, V-595
gating circuit, V-595
separators, III-715, IV-616
synthesizers (*see also* musical circuits; sound generators)
four-channel, I-603
frequency, programmable voltage-controlled, II-265
music, I-599

T

tachometers, I-94, I-100, I-102, II-175, III-335, III-340, III-347, V-65, V-596-598
analog readout, IV-280, V-597-598
calibrated, III-598
closed loop feedback control, II-390
digital readout, II-61, III-45, IV-268-269, IV-278
dwell meter/tachometer, III-45
feedback control, II-378, II-390
frequency counter, I-310
low-frequency, III-596
minimum-component design, I-405
motor speed controllers, II-378, II-389
optical pick-up, III-347
set point, III-47
tandem dimmer, II-312
tap, telephone, III-622
tape-recorder circuits, I-21, I-419, III-599-601, IV-547-548
amplifiers, I-90, IV-36
audio-powered controller, IV-548

automatic tape-recording switch,
 I-21, II-21
 automatic-battery power circuit,
 IV-548
 cassette-deck motor speed
 calibrator, IV-353
 extended-play circuit, III-600
 flat-response amplifier, III-673
 interface for, II-614
 personal message recorder, V-330-
 331
 playback amplifier, III-672, IV-36
 position indicator/controller, II-615
 preamplifier, I-90
 sound-activated switch, III-600,
 III-601
 starter switch, telephone-activated,
 I-632
 telephone-activated starter switch,
 I-632, II-622, III-616
 telephone-to-cassette interface,
 III-618
 telecom converter -48 to +5 V at 1
 A, V-472
 telemetry demodulator, I-229
 telephone-related circuits (*see also*
 intercoms), II-616-635,
 III-602-622, IV-549-564,
 V-599-615
 alarm dialer, V-612
 amplifier, III-621, IV-560, V-614
 answering machine beeper, IV-559
 auto answer and ring indicator,
 I-635
 automatic recording device, II-622
 basic telephone circuit, V-615
 bell simulator, V-604
 blinking phone light monitor,
 II-624, II-629
 call-tone generator, IV-562
 caller ID, V-613
 cassette interface, III-618
 decoder, touch-tone, IV-555
 dial pulse indicator, III-613
 dial-tone circuit, 5-V, V-610
 dialed-phone number vocalizer,
 III-731
 dialer
 emergency dialer, V-603
 pulse/tone, single-chip, III-603
 dual tone decoding, II-620
 duplex audio link, IV-554
 duplex line amplifier, III-616
 eavesdropper, wireless, III-620
 emergency dialer, V-603
 fax-machine switch, remote-
 controlled, IV-552-553
 flashers, II-629
 phone-message, IV-556
 tell-a-bell, IV-558
 visual ring indicator, IV-559,
 IV-561
 frequency and volume controller,
 II-623
 hands-free telephone, III-605
 handset encoder, I-634, III-613
 hold button, II-628, III-612
 hold circuit, V-614
 in-use indicator, II-629, IV-560,
 IV-563, V-602
 intercom, IV-557, V-239, V-240
 interface
 audio, V-612
 FCC Part 68, V-613
 for phone-line, V-605
 light for, II-625
 line interface, autopatch, I-635
 line monitor, I-628
 line tester, V-615
 message-taker, IV-563
 monitors, I-625, II-626
 musical hold, II-623, V-601, V-605
 musical ringer, II-619
 night light, telephone controlled,
 III-604
 off-hook indicator, I-633
 optoisolator status monitor, I-626
 pager, V-609, V-611
 parallel connection, III-611
 personal message recorder,
 V-330-331
 piezoelectric ringer, I-636
 power switch, ac, IV-550
 pulse-dialing, III-610
 recording calls, I-632, III-616,
 IV-553, IV-558, V-600
 redial, III-606
 relay, I-631
 remote monitor for, II-626
 repeater, III-607
 repertory dialer, line powered, I-633
 ring converter, V-602
 ring detectors, II-623, III-611,
 III-619, IV-564
 ring indicator, V-604
 ringers, IV-556, V-600
 extension-phone ringer, IV-561
 high-isolation, II-625
 multi-tone, remote
 programmable, II-634
 musical, II-619
 piezoelectric, I-636
 plug-in, remote, II-627
 relay, III-606
 remote, II-627, III-614, IV-562
 tone, I-627, I-628, II-630, II-631
 scrambler, II-618, V-608
 series connection, III-609
 silencer, IV-557
 sound level meter monitor, III-614
 speaker amplifier, IV-555
 speakerphone, II-632, III-608
 speakerphone adapter, V-606-607
 speech activity detector, II-617,
 III-615
 speech network, II-633
 status monitor using optoisolator,
 I-626
 switch, solid-state, line-activated,
 III-617
 tap, III-622
 tape-recorder starter controlled by,
 I-632
 telecom converter -48 to +5 V at 1
 A, V-472
 timer, tele-timer, V-623
 toll-totalizer, IV-551
 tone-dialing, III-607
 tone ringers, I-627, I-628, II-630,
 II-631
 Touchtone generator, III-609
 touch-tone decoder, IV-555
 vocalizer, dialed-phone number,
 III-731
 voice-mail alert, V-607
 television (*see* video circuits)
 temperature-related circuits (*see*
 also thermometers), I-641-643,
 I-648, I-657, II-645, III-629-631,
 IV-565-572, V-616-620
 0-50 C, four-channel temperature,
 I-648
 alarms, II-4, II-643, II-644, V-9
 automotive water-temperature
 gauge, II-56, IV-44, IV-48
 boiler temperature control, I-638
 compensation adjuster, V-617
 control circuits, I-641-643, II-636-
 644, III-623-628, IV-567
 defrost cycle, IV-566
 heater element, II-642
 heater protector, servo-sensed,
 III-624
 heat sniffer, electronic, III-627
 liquid-level monitor, II-643
 low-power, zero-voltage switch,
 II-640
 piezoelectric fan-based, III-627
 proportional, III-626
 signal conditioners, II-639
 single setpoint, I-641
 thermocoupled, IV-567
 zero-point switching, III-624
 converters
 logarithmic, V-127
 temperature-to-digital, V-123
 temperature-to-frequency, I-646,
 I-168, I-656, II-651-653, V-121
 temperature-to-time, III-632-633
 cool-down circuit for amplifiers,
 V-354, V-357
 defrost cycle and control, IV-566
 differential temperature, I-654, I-
 655
 flame temperature, III-313
 furnace fuel miser, V-328-329
 heater control, I-639, I-640, II-642,
 III-624
 heat sniffer, III-627
 hi/lo sensor, II-650
 hook sensor on 4- to 20-mA loop,
 V-618

temperature-related circuits (*cont.*)

- IC temperature, I-649
- indicator, II-56, IV-570
- isolated temperature, I-651
- logarithmic converter, V-127
- low-temperature sensor, V-619
- measuring circuit/sensors, II-653, IV-572
- meters/monitors, I-647, III-206, IV-569
- op amp, temp-compensated
 - breakpoint, V-401
- oscillators, temperature-controlled, I-187, II-427, III-137
- over-temperature switch, IV-571
- over/under sensor, dual output, II-646
- remote sensors, I-649, I-654, V-619
- sensors, I-648, I-657, II-645-650, III-629-631, IV-568-572, V-619
- 0-50-degree C four channel, I-648
- 0-63 degrees C, III-631
- 5 V powered linearized platinum RTD signal conditioner, II-650
- automotive-temperature
 - indicator, PTC thermistor, II-56
- Centigrade thermometer, II-648
- coefficient resistor, positive, I-657
- differential, I-654, I-655
- over/under, dual output, II-646
- DVM interface, II-647
- hi/lo, II-650
- integrated circuit, I-649
- isolated, I-651, III-631
- low-temperature, V-619
- remote, I-649, I-654, V-619
- soil heater for plants, V-333
- soldering iron control, V-327
- thermal monitor, IV-569
- thermocouple amplifier, cold junction compensation, II-649
- thermocouple multiplex system, III-630
- zero-crossing detector, I-733
- signal conditioners, II-639
- single-setpoint, temperature, I-641
- temperature-to-digital converter, V-123
- temperature-to-frequency
 - converter, I-646, I-168, I-656, II-651-653, V-121
- temperature-to-time converters, III-632-633
- thermocouples
 - amplifier, cold junction compensation, II-649
 - control, IV-567
 - multiplex system, III-630
- thermometers (*see* thermometers)
- thermostat (*see* thermostats)
- thermostatic fan switch, V-68
- transducer, I-646, I-649
- under-temperature switch, IV-570
- zero-crossing detector, I-733
- temperature-to-frequency converter, I-168, I-656, II-651-653
- temperature-to-frequency transducer, linear, I-646
- temperature-to-time converters, III-632-633
- ten-band graphic equalizer, active filter, II-684
- Tesla coils, III-634-636
- test bench amplifier, V-26
- test circuits (*see* measurement/test circuits)
- text adder, composite-video signal, III-716
- theremins, II-654-656
 - digital, II-653
 - electronic, II-655
- thermal flowmeter, low-rate flow, III-203
- thermocouple circuits
 - amplifiers, I-355, I-654, II-14, II-649
 - digital thermometer using, II-658
 - multiplex, temperature sensor system, III-630
 - pre-amp using, III-283
- thermometers (*see also* temperature-related circuits), II-657-662, III-637-643, IV-573-577
 - 0-50 degree F, I-656
 - 0-100 degree C, I-656
 - 5-V operation, V-617
 - adapter, III-642
 - add-on for DMM digital voltmeter, III-640
 - centigrade, I-655, II-648, II-662
 - calibrated, I-650
 - ground-referred, I-657
 - differential, I-652, II-661, III-638
 - digital, I-651, I-658, V-618
 - temperature-reporting, III-638
 - thermocouple, II-658
 - uP controlled, I-650
 - electronic, II-660, III-639, IV-575, IV-576
 - Fahrenheit, I-658
 - ground-referred, I-656
 - high-accuracy design, IV-577
 - implantable/ingestible, III-641
 - kelvin, I-653, I-655, II-661
 - linear, III-642, IV-574
 - low-power, I-655
 - meter, trimmed output, I-655
 - remote, II-659
 - single-dc supply, IV-575
 - variable offset, I-652
- thermostats, I-639, I-640, V-60
- third-overtone oscillator, I-186, IV-123
- three-in-one test set, III-330
- three-minute timer, III-654
- three-rail power supply, III-466
- threshold detectors, precision, III-157
- tilt meter, II-663-666, III-644-646
- differential capacitance
 - measurement circuit, II-665
- mercury-switch, V-302
- sense-of-slope, II-664
- ultra-simple level, II-666
- time bases
 - crystal oscillator, III-133, IV-128, V-137, V-139
 - function generators, 1 Hz, readout/counter applications, IV-201
 - oscilloscopes timebase generator, V-425
 - trigger selector for oscilloscopes timebase, V-425
- time delays, I-668, II-220, II-667-670, III-647-649
 - circuit, precision solid state, I-664
 - constant current charging, II-668
 - electronic, III-648
 - generator, I-218
 - hour sampling circuit, II-668
 - integrator to multiply 555 timers, low-cost, II-669
 - long-duration, I-220
 - relay, I-219, I-663
- timing threshold and load driver, II-670, III-648
- time division multiplex stereo decoder, II-168
- timers (*see also* 555 timer circuits), I-666, I-668, II-671-681, III-650-655, IV-578-586, V-621-627
 - 0.1 to 90 second, I-663
 - 2- to 2000-minute, V-624
 - 555-based alarm, V-11
 - 741 timer, I-667
 - adjustable, II-681, IV-585
 - alarm, II-674
 - appliance-cutoff timer, IV-583
 - CMOS, programmable precision, III-652
 - countdown, V-627
 - darkroom, I-480, V-436
 - elapsed time/counter timer, II-680
 - electronic egg, I-665
 - enlarger timer, II-446, III-445
 - extended on-time, V-627
 - IC, crystal-stabilized, II-151
 - interval, programmable, I-660, II-678
 - long-delay, I-219, V-626
 - long-duration, II-675, IV-585
 - long-interval, I-667, IV-581, IV-582
 - long-period, V-624
 - long-term, II-672, III-653
 - mains-powered, IV-579
 - one-shot, II-266, III-317, III-654
 - photographic, I-485
 - darkroom enlarger, III-445
 - photo-event timer, IV-379
 - reaction timer, game circuit, IV-204
 - reflex timer, V-622
 - SCR design, IV-583

self-retriggering timed-on generator, V-343
 sequential, I-661-662, I-663, III-651, V-623
 slide-show, III-444, III-448
 solid-state, industrial applications, I-664
 tele-timer, V-623
 ten-minute ID timer, IV-584
 three-minute, III-654
 three-stage sequential, V-623
 thumbwheel-type, programmable interval, I-660
 time-out circuit, IV-580, IV-586
 triangle-wave generator, linear, III-222
 variable duty-cycle output, III-240
 voltage-controlled, programmable, II-676
 washer, I-668
 watch tick timer, V-292
 watchdog timer/alarm, IV-584
 wide-range, V-1-minute to 400 hours, V-625
 timing light, ignition, II-60
 timing threshold and load driver, III-648
 tone alert decoder, I-213
 tone annunciator, transformerless, III-27-28
 tone burst generators, I-604, II-90, III-74
 tone circuits (*see* function generators; sound generators)
 tone controls (*see also* sound generators), I-677, II-682-689, III-656-660, IV-587-589, V-334, V-630-631
 500-Hz, III-154
 active control, IV-588
 audio amplifier, II-686
 automatic level control (ALC), V-60-62
 bass, I-670, V-584, V-631
 bass and treble, I-674, V-631
 Baxandall tone-control audio amplifier, IV-588
 decibel level detectors, III-154
 equalizers, III-658, II-684
 filter circuit, V-1 kHz, V-191
 guitar treble booster, II-683
 high-quality, I-675
 high-z input, hi fi, I-676
 level meters, sound levels, III-346, III-614, IV-305, IV-307
 loudness, II-46
 microphone preamp, I-675, II-687
 mixer preamp, I-58
 passive circuit, II-689
 preamplifiers, I-58, I-673, I-675, II-687, II-688, III-657
 rumble/scratch filter, III-660
 stereo preamp with tone control, V-581
 three-band active, I-676, III-658
 three-channel, I-672
 treble control, V-631
 tremolo circuit, IV-589
 volume limiter, audio signal amplifiers, V-59
 Wien-bridge filter, III-659
 tone decoders, I-231, III-143
 dual time constant, II-166
 24 percent bandwidth, I-215
 relay output, I-213
 tone-dial decoder, I-630, I-631
 tone detectors, 500-Hz, III-154
 tone-dial generator, I-629
 tone-dialing telephone, III-607
 tone encoder, I-67
 subaudible, I-23
 tone-dial encoder, I-629
 two-wire, II-364
 tone generators (*see* sound generators)
 tone probe, digital IC testing with, II-504
 tone ringer, telephone, II-630, II-631
 totem-pole driver, bootstrapping, III-175
 touch switches, I-131, I-135-136, I-137, II-690-693, III-661-665, IV-590-594, V-632-635
 CMOS, I-137
 bistable multivibrator, touch-triggered, I-133
 bridging touch plate sensor, V-634
 dimmer, CMOS based, V-270
 double-button latching, I-138
 hum-detecting touch sensor, IV-594
 lamp control, three-way, IV-247
 low-current, I-132
 On/Off, II-691, III-663, IV-593
 latching switch, V-635
 line-hum, III-664
 momentary operation, I-133
 negative-triggered, III-662
 on-only switch, V-635
 positive-triggered, III-662
 sensor switch and clock, IV-591
 single-plate sensor, V-633
 switch, V-633, V-634, V-635
 time-on touch switch, IV-594
 touchomatic, II-693
 two-terminal, III-663
 Touchtone generator, telephone, III-609
 toxic gas detector, II-280
 toy siren, II-575
 TR circuit, II-532
 TR switch for antennas, automatic, V-37
 tracers
 audio reference signal, probe, I-527
 bug, III-358
 closed-loop, III-356
 receiver, III-357
 track-and-hold circuits, III-667, III-668
 sample-and-hold circuit, III-549, III-552
 tracking circuits, III-666-668
 positive/negative voltage reference, III-667
 preregulator, III-492
 track-and-hold, III-667, III-668
 train chuffer sound effect, II-588
 transceivers (*see also* receivers; transmitters), IV-595-603
 transceivers
 1750-meter, V-646
 CE, 20-m, IV-596-598
 CW, 5 W, 80-meter, IV-602
 external microphone circuit, V-351
 hand-held, III-39, III-461
 HF transceiver/mixer, IV-457
 ultrasonic, III-702, III-704
 transducer amplifiers, I-86, III-669-673
 flat-response, tape, III-673
 NAB preamp, III-673
 photodiode amplifier, III-672
 preamp, magnetic phono, III-671, III-673
 tape playback, III-672
 voltage, differential-to-single-ended, III-670
 transducers, I-86
 bridge type, amplifier, II-84, III-71
 detector, magnetic transducer, I-233
 sonar, switch and, III-703
 temperature, remote sensor, I-649
 transformers, isolation transformer, V-349, V-470
 transistors and transistorized circuits
 flashers, II-236, III-200
 frequency tripler, nonselective, saturated, II-252
 headphone amplifier, II-43
 on/off switch for op amp, IV-546
 phototransistor, V-279
 amplifier, V-409
 variable-sensitivity, V-409
 pulse generator, IV-437
 sorter, I-401
 tester, I-401, IV-281, V-306
 turn-on circuit, V-345
 transmission indicator, II-211
 transmitters (*see also* receivers; transceivers), III-674-691, IV-595-603, V-636-649
 2-meter, IV-600-601
 10-meter DSB, V-647
 27.125-MHz NBFM, V-637
 acoustic-sound transmitter, IV-311
 amateur radio, 80-M, III-675
 amateur TV, IV-599
 ATV JR transmitter, V-440 MHz, V-640

- transmitters (*cont.*)
- audio, visible-light, V-261
 - baby-alert, carrier-current circuit, V-95
 - beacon, III-683, IV-603
 - broadcast, 1-to-2 MHz, I-680
 - carrier current, I-144, I-145, III-79
 - computer circuit, 1-of-8 channel, III-100
 - CW transmitters, I-681, III-684, III-686, III-678, III-690, IV-601, V-648, V-649
 - DSB, 10-meter, V-647
 - fiberoptic, III-177
 - FM transmitters, I-681, V-641
 - 27.125-MHz NBFM, V-637
 - 49-MHz, V-643
 - infrared, voice-modulated pulse, IV-228
 - light-beam, V-259
 - multiplex, III-688
 - one-transistor design, III-687
 - optical, I-361, I-367, II-417
 - radio, V-648
 - snooper, III-680
 - stereo, V-575, V-580
 - voice, III-678
 - wireless microphone, III-682, III-685, III-691
- half-duplex information
- transmission link, low-cost, III-679
- IIF, low-power, IV-598
- infrared, I-342, I-343, II-289, II-290, III-275, III-277, IV-226-227, IV-228
- headphones, V-227
- pulsed for on/off control, V-228
- line-carrier, with on/off, 200 kHz, I-142
- low-frequency, III-682
- MIDI transmitter, V-393
- modulated-light transmitter, V-258
- Morse-code transmitter, V-6-W for 7-MHz, V-641
- multiplexed, 1-of-8 channel, III-395
- negative key-line keyer, IV-244
- optical, I-361, I-363, II-417, II-418, IV-368
- oscillator and, 27 and 49 MHz, I-680
- output indicator, IV-218
- QRP, V-638-639, V-644-645
- remote-control, V-509, V-513
 - interface, V-511
 - ultrasonic, V-512
- remote sensors, loop-type, III-70
- television, III-676
- tracking transmitter, V-642
- transceiver, V-1750-meter, V-646
- transmit/receive sequencer, preamp, V-348
- ultrasonic, 40 kHz, I-685
- ultrasound, Doppler, V-651
- vacuum-tube, low-power, V-80/40-M, V-642
- voice-communication, light-beam, V-260
- VHF, III-681, III-684
- transverter, V-2-to-6 meter, V-124
- treasure locator, lo-parts, I-409
- treble booster, guitar, II-683
- tremolo circuits, I-59, I-598, III-692-695, IV-589
- tri-color indicator, V-232
- triac circuits, V-268
 - ac-voltage controller, IV-426
 - contact protection, II-531
 - controller circuit, V-267, V-271
 - dimmer switches, I-375, II-310, III-303
 - drive interface, direct dc, I-266
 - microcomputer-to-triac interface, V-244
 - microprocessor array, II-410
 - relay-contact protection with, II-531
 - switch, inductive load, IV-253
 - trigger, I-421
 - voltage doubler, III-468
 - zero point switch, II-311
 - zero voltage, I-623
- triangle-to-sine converter, II-127
- triangle/square wave oscillator, II-422, V-206
- triangle-wave generators, III-234, V-203
 - 10-Hz to 10-kHz VCO, V-570
 - clock-driven, V-206
 - square/triangle-wave, III-225, III-239, III-242
- timer, linear, III-222
- triangle-wave oscillator, V-205
- trickle charger, 12 V battery, I-117
- triggers
 - 50-MHz, III-364
 - camera alarm, III-444
 - flash, photography, xenon flash, III-447
 - load-sensing, V-285
 - optical Schmitt, I-362
 - oscilloscope-triggered sweep, III-438
 - rc/ncote flash, I-484
 - SCR series, optically coupled, III-411
 - sound/light flash, I-482
 - triac, I-421
- triggered sweep, add-on, I-472
- tripler, nonselective, transistor saturation, II-252
- trouble tone alert, II-3
- TTL circuits
 - clock, wide-frequency, III-85
 - coupler, optical, III-416
 - gates, siren using, II-576
 - Morse code keyer, II-25
 - square-to-triangle wave converter, II-125
 - TTL-to-MOS logic converter, II-125
- TTL oscillators, I-179, I-613, IV-127
 - 1MHz to 10MHz, I-178
 - 1MHz to 20MHz, IV-127
 - crystal, TTL-compatible, I-179
 - sine wave/square oscillator, IV-512
- television display using, II-372
- tube amplifier, high-voltage isolation, IV-426
- tuners
 - antenna tuner, IV-14, V-38
 - FM, I-231
 - guitar and bass, II-362
 - turbo circuits, glitch free, III-186
 - turn-on circuit, V-345
 - twang-twang circuit, II-592
 - twilight-triggered circuit, II-322
 - twin-T notch filters, III-403
 - two-state siren, III-567
 - two-tone generator, II-570
 - two-tone siren, III-562
 - two-way intercom, III-292
 - two's complement, D/A conversion system, binary, 12-bit, III-166
- U**
- UA2240 staircase generator, III-587
- UHF-related circuits (*see also* radio/rf circuits)
 - amplifier, I-560-565
 - audio-to-UHF preamp, V-24
 - broadband rf amplifiers, V-523
 - field-strength meters, IV-165
 - rf amplifiers, UHF TV-line amplifier, IV-482, IV-483
 - source dipper, IV-299
 - TV preamplifier, III-646
 - VHF/UHF rf diode switch, IV-544
 - VHF/UHF rf preamplifier, V-515
 - wideband amplifier, I-560, III-264
- UJT circuits
 - battery chargers, III-56
 - metronome, II-355
 - monostable circuit, bias-voltage change insensitive, II-268
- ultrasonic circuits (*see also* sound-operated circuits), III-696-707, IV-604-606, V-650-653
 - arc welding inverter, 20 kHz, III-700
 - cleaner, V-652-653
 - induction heater, 120-KHz 500-W, III-704
 - pest-control/repel, I-684, II-685, III-699, III-706, III-707, IV-605-606
 - ranging system, III-697
 - receiver, III-698, III-705
 - Doppler ultrasound, V-651
 - remote-control receiver, V-513
 - remote-control transmitter, V-512
 - sonar transducer/switch, III-703
 - sound source, IV-605
 - switch, I-683

- transceiver, III-702, III-704
 - transmitter, I-685
 - Doppler ultrasound, V-651
 - undervoltage detector/monitor, III-762, IV-138
 - uninterruptible power supply, II-462, III-477, V-471
 - unity-gain amplifiers
 - inverting, I-35, I-80
 - noninverting, V-21, V-22
 - ultra high-Z, ac, II-7
 - unity-gain buffer
 - stable, speed and high-input impedance, II-6
 - unity-gain follower, I-27
 - universal counters
 - 10 MHz, I-255, II-139
 - 40-MHz, III-127
 - universal mixer stage, III-370
 - universal power supply, 3-30V, III-489
 - up/down counters
 - 8-digit, II-134
 - extreme count freezer, III-125
 - XOR gate, III-105
- V**
- vacuum fluorescent display circuit, II-185
 - vacuum gauge, automotive, IV-45
 - vapor detector, II-279
 - varactor-tuned 10 MHz ceramic resonator oscillator, II-141
 - variable current source, 100 mA to 2A, II-471
 - variable-frequency inverter, complementary output, III-297
 - variable-frequency oscillators (VFO)
 - 5 MHz design, II-551
 - 4093 CMOS, V-421
 - adjustable temperature compensation, V-420
 - amateur radio, V-532
 - buffer amplifier, V-92
 - CMOS design, V-418
 - code practice oscillators, V-103
 - rf, V-6.5 MHz, V-529
 - variable-gain amplifier, voltage-controlled, I-28-29
 - variable-gain and sign op amp, II-405
 - variable-gain circuit, accurate null, III-69
 - variable-state filters
 - universal, V-178
 - variable oscillators, II-421
 - audio, 20Hz to 20kHz, II-727
 - duty-cycle, III-422
 - four-decade, single control, II-424
 - sine-wave oscillator, low-distortion, III-558
 - wide range, II-429
 - variable power supplies, III-487-492, IV-414-421
 - 0- to 12-V, V-1 A, V-460
 - current source, voltage-programmable, IV-420
 - dc supply
 - SCR variable, IV-418
 - step variable, IV-418
 - dual universal supply, 0-to-50 V, 5 A, IV-416-417
 - regulated supply, 2.5 A, 1.25-to-25 V
 - switch-selected fixed-voltage supply, IV-419
 - switching regulator, low-power, III-490
 - switching, 100-KHz multiple-output, III-488
 - tracking preregulator, III-492
 - transformerless supply, IV-420
 - universal 3-30V, III-489
 - voltage regulators for variable supplies, III-490, III-492, IV-421
 - variable current source, 100mA to 2A, II-471
 - voltage regulator, III-491
 - VCR/TV on/off control, V-113
 - vehicles (*see* automotive circuits)
 - VHF-related circuits (*see also* radio/rt; television; UHF)
 - amplifiers, I-558
 - crystal oscillators, III-138-140
 - ILF/ULF switchable active antenna, V-524
 - modulator, I-440, III-684
 - tone transmitter, III-681
 - transmitters, III-681, III-684
 - VHF/UHF diode rf switch, IV-544
 - VHF/UHF rf preamplifier, V-515
 - video circuits, III-713-728, IV-607-621, V-654-662
 - amateur TV (ATV) down converter, V-125, V-126
 - amplifiers, video, I-688, I-690, I-692, III-39, III-708-712, V-482, IV-483, V-656, V-662
 - 75-ohm video pulse, III-711
 - buffer, low-distortion, III-712
 - color, I-34, III-724
 - dc gain-control, III-711
 - differential video loop-through, V-657
 - FET cascade, I-691
 - gain block, III-712
 - IF, I-689, II-687, V-655
 - JFET bipolar cascade, I-692
 - line driving, III-710
 - log amplifier, I-38
 - output, V-655
 - RGB, III-709
 - sunburning, clamping circuit and, III-710
 - TV amplifiers, I-688, I-690, III-39, IV-482, IV-483
 - variable-gain video loop-through, V-658
 - ATV video sampler circuit, V-656
 - audio/video switcher circuit, IV-540-541
 - automatic TV turn-off, I-577
 - buffers, V-93
 - camera-image tracker, analog voltage, IV-608-609
 - camera link, wireless, III-718
 - chroma demodulator with RGB matrix, III-716
 - color amplifier, III-724
 - color-bar generator, IV-614
 - commercial zapper, V-334-335
 - composite-video signal text adder, III-716
 - converters
 - RGB-to-NTSC, IV-611
 - video a/d and d/a, IV-610-611
 - cross-hatch generator, color TV, III-724
 - data interface, TTL oscillator, II-372
 - dc restorer, III-723, V-659
 - decoders
 - NTSC-to-RGB, IV-613
 - stereo TV, II-187, V-576-579, V-580
 - detectors
 - IF, MC130/MC1352 design, I-688
 - low-level video, I-687-689
 - differential video loop-through amplifier, V-657
 - fader, V-658
 - high-performance video switch, III-728
 - IF amplifier, V-4.5-MHz sound, V-655
 - IF detector, amplifier, MC130/MC1352, I-688
 - line pulse extractor, IV-612
 - line/bar generator, V-662
 - loop-thru amplifier, IV-616
 - master circuit, video master, V-661
 - mixer, high-performance video mixer, IV-609
 - modulators, I-437, I-439, II-371, II-372, II-433, II-434
 - monitors, RGB, blue box, III-99
 - monochrome-pattern generator, IV-617
 - multiplexer, cascaded, 1-of-15, III-393
 - MUX cable driver
 - multi-input, V-657
 - two-input, V-657
 - op amp circuits, IV-615
 - output amplifier, V-655
 - PAL/NTSC decoder with RGB input, III-717
 - palette, III-720
 - picture fixer/inverter, III-722
 - preamplifier, III-546, V-660
 - rf amplifiers, TV sound system, V-519

video circuits (*cont.*)
 rf up-converter for TVRO
 subcarrier reception, IV-501
 RGB-composite converter, III-714
 sampler circuit, ATV video, V-656
 satellite TV audio switcher,
 IV-543
 selector, V-660
 signal-amplitude measurer, V-309
 signal clamp, III-726
 sound, IF/FM IF amplifier with
 quadrature, I-690
 stereo-sound decoder, II-167
 stereo TV decoder, V-576-579,
 V-580
 switching circuits, III-719, III-725,
 III-727, IV-618-621
 video/audio switch, V-586
 wideband for RGB signals, V-587
 sync separator, III-715, IV-616
 sync stripper/video interface,
 V-659
 transmitter, TV, III-676, IV-599
 TV sound system, rf amplifiers,
 V-519
 variable-gain video loop-through
 amplifier, V-658
 VCR/TV on-off control, V-133
 video, power, channel-select signal
 carrier, V-344-345
 wireless camera link, III-71
 VLF/VHF wideband antenna
 low-noise, active, V-33
 vocal eliminator, IV-19
 voice communications
 light-beam transmitter/receiver,
 V-260
 personal message recorder,
 V-330-331
 voice-mail alert for telephone,
 V-607
 voice scrambler/descrambler, IV-26,
 IV-27
 voice substitute, electronic, III-734
 voice-activated circuits (*see also*
 sound-operated circuits;
 telephone-related circuits), III-
 729-734, IV-622-624, V-545-555
 ac line-voltage announcer, III-730
 allophone generator, III-733
 amplifier/switch, I-608
 computer speech synthesizer,
 III-732
 dialed phone number vocalizer,
 III-731
 disguiser for voices, V-326-327
 intercoms, V-239
 scanner voice squelch, IV-624
 scrambler, V-554
 speech detector, II-617, III-615
 stripper, vocal stripper, V-546-547
 switches, III-580, IV-527
 switch/amplifier, I-608, V-553
 vocal stripper, V-546-547

 voice identifier for amateur radio
 use, V-550
 voice substitute, electronic, III-734
 VOX circuit, IV-623
 voltage-controlled amplifier (VCA),
 I-31, I-598, IV-20
 attenuator for, II-18
 differential-to-single-ended, III-670
 reference, I-36
 tremolo circuit, I-598
 variable gain, I-28-29
 voltage-controlled oscillators (VCO),
 I-702-704, II-702, III-735,
 IV-625-630, V-663-667
 3-5 V regulated output converter,
 III-739
 10Hz to 10kHz, I-701, III-735-741
 three-decade, V-666
 555-VCO, IV-627
 audio-frequency VCO, IV-626
 basic circuit, V-666, V-667
 crystal oscillator, III-135, IV-124
 current sink, voltage-controlled,
 IV-629
 driver, op-amp design, IV-362
 linear, I-701, IV-628
 triangle/square wave, II-263
 logarithmic sweep, III-738
 one-shot, II-266
 precision, I-702, III-431
 restricted-range, IV-627
 sine-wave oscillator, V-666
 sinusoidal 3-Hz to 300-kHz, V-664-
 665
 stable, IV-372-373
 square-wave generators, V-570
 supply voltage splitter, III-738
 three-decade, I-703
 TL082-based, V-665
 TMOS, balanced, III-736
 two-decade, high-frequency, I-704
 varactorless, IV-630
 variable-capacitance diode-
 sparked, III-737
 VHF oscillator, voltage-tuned,
 IV-628
 waveform generator, III-737
 wide-range, IV-627, IV-629
 voltage-controller, pulse generator,
 III-524
 voltage converters/inverters, III-742-
 748, V-668-669
 12-to-16 V, III-747
 dc-to-ac inverter, V-669
 dc-to-dc, III-744, III-746, V-669
 flyback, high-efficiency, III-744
 flyback-switching, self-oscillating,
 III-748
 negative voltage, μ P-controlled,
 IV-117
 offline, 1.5-W, III-746
 regulated 15-Vout 6-V driven,
 III-745
 splitter, III-743

 unipolar-to-dual supply, III-743
 voltage-to-current converters,
 I-163, I-166, II-124, III-110,
 III-120, IV-118
 voltage-to-frequency converters,
 I-707, III-749-757, IV-638-642
 1 Hz-to-10MHz, III-754
 1 Hz-to-30 MHz, III-750
 1Hz-to-1.25 MHz, III-755
 5 KHz-to-2MHz, III-752
 10 Hz to 10 kHz, I-706, III-110
 accurate, III-756
 differential-input, III-750
 function generators,
 potentiometer-position, IV-200
 low-cost, III-751
 low-frequency converter, IV-641
 negative input, I-708
 optocoupler, IV-642
 positive input, I-707
 precision, II-131
 preserved input, III-753
 ultraprecision, I-708
 wide-range, III-751, III-752
 voltage-to-pulse duration
 converter, II-124
 voltage-ratio-to-frequency
 converter, III-116
 voltage detector relay, battery
 charger, II-76
 voltage doublers, III-459, IV-635,
 V-460
 cascaded, Cockcroft-Walton,
 IV-635
 triac-controlled, III-468
 voltage followers, I-40, III-212
 fast, I-34
 noninverting, I-33
 signal-supply operation, amplifier,
 III-20
 voltage inverters, precision, III-298
 voltage indicators/meters (*see also*
 voltmeters), III-758-772, IV-423
 automotive battery voltage gauge,
 IV-47
 battery-voltage measuring
 regulator, IV-77
 comparator and, II-104
 five-step level detector, I-337
 frequency counter, III-768
 HTS, precision, I-122
 level detectors, I-338, II-172,
 III-759, III-770
 low-voltage indicator, III-769
 monitor, V-315
 multiplexed common-cathode LED
 ADC, III-764
 over/under monitor, III-762
 peak program detector, III-771
 solid-state battery, I-120
 ten-step level detector, I-335
 visible, I-338, III-772
 voltage freezer, III-763
 voltage-level circuit, V-301

voltage multipliers, IV-631-637,
 V-670-672
 2,000 V low-current supply, IV-636-
 637
 10,000 V dc supply, IV-633
 corona wind generator, IV-633
 doublers, III-459, IV-635
 cascaded, Cockcroft-Walton,
 IV-635
 dc, V-672
 triac-controlled, III-468
 laser power supply, IV-636
 low-frequency multiplier, IV-325
 negative-ion generator, high-
 voltage, IV-634
 quadrupler, dc, V-671
 tripler, IV-637, V-671
 voltage probes, V-474
 voltage references, III-773-775
 bipolar source, III-774
 digitally controlled, III-775
 expanded-scale analog meter,
 III-774
 positive/negative, tracker for,
 III-667
 variable-voltage reference source,
 IV-327
 voltage regulators, I-501, I-511,
 II-484, III-485
 0- to 10-V at 3A, adjustable, I-511
 0- to 22-V, I-510
 0- to 30-V, I-510
 3 A, III-472
 5 V, low-dropout, III-461
 5 V, 1 A, I-500
 5 V, ultrastable reference, I-497
 6 A, variable output switching,
 I-513
 8- from 5-V regulator, V-469
 10 A, I-510
 10 A, adjustable, III-492
 10 V, high-stability, III-468
 15 V, 1 A, remote sense, I-499
 15 V, slow-turn-on, III-477
 -15 V negative, I-499
 45 V, 1 A switching, I-499
 90 V rms voltage regulator with
 PUT, II-479
 100 Vrms, I-496
 200 kHz, I-491
 ac, III-477
 adjustable output, I-506, I-512
 application circuit, I-492
 automotive circuits, III-48, IV-67
 battery power suppliers, I-117,
 IV-77
 buckling, high-voltage, III-461
 combination voltage/current
 regulator, V-455
 common hot-lead regulator, IV-467
 constant voltage/constant current,
 I-508
 current and thermal protection, 10
 amp, II-474
 Darlington, IV-421
 dual-tracking, III-462
 efficiency-improving switching,
 IV-464
 fixed pnp, zener diode increases
 output, II-484
 fixed-current regulator, IV-467
 fixed supplies, III-461, III-468,
 III-471-477, IV-408, IV-462-467
 flyback, off-line, II-481
 foldback-current limiting, II-478
 high- or low-input regulator, IV-466
 high-stability, I-499, I-502, III-468
 high-voltage power supplies, I-509,
 II-478, III-485, III-490
 inductorless, III-476
 LM317 design, IV-466
 loss cutter, V-467
 low-dropout, 5-V, III-461
 low-power, I 695, III-490
 low-voltage, I-502, I-511
 linear, II-468, III-459
 mobile, I-498
 MPU, multiple output, I-513
 negative, I-498, I-499, III-474,
 IV-465
 npn/pnp boost, III-475
 off-line flyback regulator, II-481
 pnp, II-484
 positive, I-498, III-471, III-475
 pre-regulators, II-482, III-480,
 III-492
 programmable, IV-470
 projection lamp, II-305
 PUT, 90 V rms, II-479
 radiation-hardened 125A linear
 regulator, II-468
 remote shutdown, I-510
 SCR preregulator for, II-482
 single supply voltage regulator,
 II-471
 sensor, LM317 regulator sensing,
 IV-466
 short-circuit protection, low-
 voltage, I-502
 single-ended, I-493
 single-supply, II-471
 slow-turn-on 15 V, I-499
 step-down, I-493
 step-up, II-78
 switching supplies, I-491, I-492,
 I-493, I-497, I-498, I-513, II-78,
 III-472, III-476, III-490, IV-408,
 IV-463, V-453
 3-A, III-472
 3 W, application circuit, I-492
 5 V, 6 A 25kHz, separate
 ultrastable reference, I-497
 6 A, variable output, I-513
 200 kHz, I-491
 high-current inductorless, III-476
 low-power, III-490
 multiple output, for use with
 MPU, I-513
 step down, I-493
 variable current source with
 voltage regulation, IV-470
 variable supplies, III-490, III-491,
 III-492, IV-421, IV-468-470
 current source, III-490
 zener design, programmable,
 IV-470
 voltage sources
 millivolt, zenerless, I-696
 programmable, I-694
 voltage splitter, III-738
 voltmeters, III-758
 3.5 digit, I-710
 full scale, III-761
 true rms ac, I-713
 4.5-digit, III-760
 5-digit, III-760
 ac, III-765
 wide-band, I-716
 wide-range, III-772
 add-on thermometer for, III-640
 bar-graph, I-99, II-54
 dc, III-763
 high-input resistance, III-762
 low-drift, V-301
 digital voltmeters (DVM), III-4
 3.5-digit, common anode display,
 I-713
 3.5-digit, full-scale, four-decade,
 III-761
 3.75-digit, I-711
 4.5-digit, III-760
 4.5-digit, LCD display, I-717
 auto-calibrate circuit, I-714
 automatic nulling, I-712
 interface and temperature sensor,
 II-647
 LED readout, IV-286
 temperature sensor and DVM, 647
 FET, I-714, III-765, III-770
 high-input resistance, III-768
 JFET, V-318
 LED expanded scale, V-311
 millivoltmeters, III-767, III-769,
 IV-289, IV-294, IV-295
 ac, I-716
 audio, III-767, III-769
 dc, IV-295
 four-range, IV-289
 high-input impedance, I-715
 LED readout, IV-294
 rf, I-405, III-766
 voltohmmeters (VOM)
 field strength, I-276
 phase meter, digital readout,
 IV-277
 volume amplifier, II-46
 volume control circuits, IV-643-645
 telephone, II-623
 volume indicator, audio amplifier,
 IV-212
 volume limiter, audio signal
 amplifiers, V-59

VOR signal simulator, IV-273
vox box, II-582, IV-623
Vpp generator, EPROM, II-114
VU meters, III-487
 extended range, II-487, I-715
 LED display, IV-211

W

waa-waa circuit, II-590
wailers (*see* alarms; sirens)
wake-up call, electronic, II-324
walkman amplifier, II-456
warblers (*see* alarms; sirens)
warning devices
 auto lights-on warning, II-55
 high-level, I-387
 high-speed, I-101
 light, II-320, III-317
 low-level, audio output, I-391
 speed, I-96
 varying-frequency alarm, II-579
water-level sensors (*see* fluid and
 moisture detectors)
water-temperature gauge,
 automotive, IV-44
wattmeter, I-17
wave-shaping circuits (*see also*
 waveform generators),
 IV-646-651
capacitor for high-slew rates, IV-650
clipper, glitch-free, IV-648
flip-flop, S/R, IV-651
harmonic generator, IV-649
phase shifter, IV-647
rectifier, full-wave, IV-650
signal conditioner, IV-649
waveform generators (*see also* burst
 generators; function generators;
 sound generators; square-wave
 generators; wave-shaping
 circuits), II-269, II-272,
 V-200-207
 AM broadcast-band, IV-302
 AM/FM, 455 kHz, IV-301
 audio, precision, III-230
 four-output, III-223
 harmonic generators, I-24, III-228,
 IV-649
 high-frequency, II-150
 high-speed generator, I-723
 pattern generator/polar-to-rect.
 converter, V-288
 precise, II-274
 ramp generators, I-540, II-521-523,
 III-525-527, IV-443-447
 555 based, V-203
 accurate, III-526
 integrator, initial condition reset,
 III-527
 linear, II-270
 variable reset level, II-267
 voltage-controlled, II-523
sawtooth generator, III-241, IV-444,
 IV-446, V-204, V-205, V-491

sine-wave generators, IV-505,
 IV-506, V-541, V-542, V-543, V-544
 60 Hz, IV-507
 audio, II-564
 LC, IV-507
 LF, IV-512
 oscillator, audio, III-559
 square-wave and, tunable
 oscillator, III-232
 VLF audio tone, IV-508
sine/square wave generators, I-65,
 III-232, IV-512
square-wave generators, II-594-600,
 III-225, III-239, III-242, III-583-
 585, IV-529-536, V-568-570
 1 kHz, IV-536
 2 MHz using two TTL gates, II-598
 555 timer, II-595
 astable circuit, IV-534
 astable multivibrator, II-597
 CMOS 555 astable, true rail-to-rail,
 II-596
 duty-cycle multivibrator, III-50-
 percent, III-584
 four-decade design, IV-535
 high-current oscillator, III-585
 line frequency, II-599
 low-frequency TTL oscillator,
 II-595
 multiburst generator, II-88
 multivibrator, IV-536
 oscillators, I-613-614, I-616,
 II-596, II-597, II-616, IV-532,
 IV-533
 phase-tracking, three-phase,
 II-598
 pulse extractor, III-584
 quadrature-outputs oscillator,
 III-585
 sine-wave and, tunable oscillator,
 III-232
 three-phase, II-600
 tone-burst generator, single timer
 IC, II-89
 triangle-wave and, III-225, III-239,
 III-242
 TTL, LSTTL, CMOS designs,
 IV-530-532
 variable duty-cycle, IV-533
 variable-frequency, IV-535
 staircase generators, I-730,
 II-601-602, III-586-588,
 IV-443-447
 stepped waveforms, IV-447
 sweep generators, I-472, III-438
 triangle-wave, III-234, V-203,
 V-205, V-206
 square wave, I-726, III-225,
 III-239, III-242, V-206
 timer, linear, III-222
 two-function, III-234
 VCO and, III-737
wavemeter, tuned RF, IV-302
weather-alert decoder, IV-140

weight scale, digital, II-398
Wheel-of-Fortune game, IV-206
whistle, steam locomotive, II-589,
 III-568
who's first game circuit, III-244
wide-range oscillators, I-69, I-730,
 III-425
wide-range peak detectors, III-152
 hybrid, 500 kHz-1 GHz, III-265
 instrumentation, III-281
 miniature, III-265
UHF amplifiers, high-performance
 FETs, III-264
wideband amplifiers
 low-noise/low-drift, I-38
 two-stage, I-689
 rf, IV-489, IV-490, IV-491
 HF, IV-492
 JFET, IV-493
 MOSFET, IV-492
 two-CA3100 op amp design, IV-491
 unity gain inverting, I-35
wideband signal splitter, III-582
wideband two-pole high-pass filter,
 II-215
Wien-bridge filter, III-659
 notch filter, II-402
Wien-bridge oscillators, I-62-63,
 I-66, I-70, II-566, III-429, III-558,
 IV-371, IV-377, IV-511, V-415,
 V-419, V-541
CMOS chip in, II-568
 low-distortion, thermally stable,
 III-557
 low-voltage, III-432
 sine wave, I-66, I-70, II-566, IV-510,
 IV-513
 single-supply, III-558
 thermally stable, III-557
 three-decade, IV-510
 variable, III-424
 very-low-distortion, IV-513
wind-powered battery charger, II-70
windicator, I-330
window circuits, II-106, III-90, III-
 776-781, IV-655-659, V-673-674
 comparator, IV-656-657, IV-658,
 IV-659, V-299, V-674
 detector, I-235, III-776-781, IV-658
 digital frequency window, III-777
 discriminator, III-781, V-674
 generator, IV-657
 high-input-impedance, II-108
windshield wiper circuits (*see*
 automotive circuits)
wire tracer, II-343
wireless microphones (*see*
 microphones)
wireless speaker system, IR, III-272
wiring
 ac outlet tester, V-318
 ac wiring locator, V-317
 two-way switch, V-591
write amplifiers, III-18

X

xenon flash trigger, slave, III-447
XOR gates, IV-107
complementary signals generator,
III-226
oscillator, III-429
up/down counter, III-105

Y

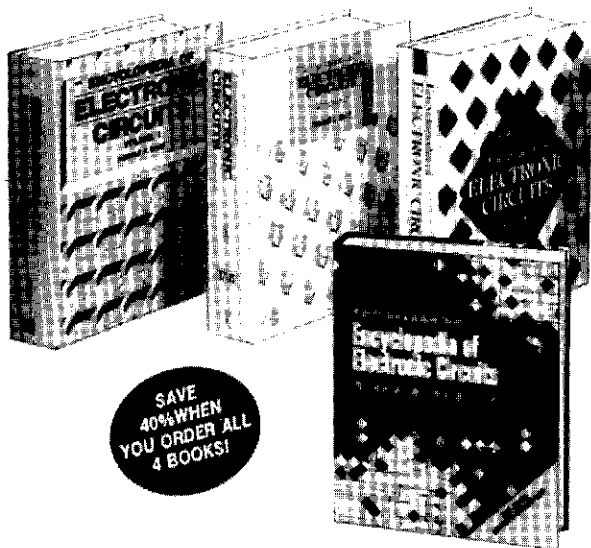
yelp oscillator/siren, II-577, III-562

Z

Z80 clock, II-121
zappers, battery, II-64, II-66, II-68
zener diodes
clipper, fast and symmetrical, IV-329
increasing power rating, I-496, II-485
limiter using one-zener design, IV-
257
test set, V-321
tester, I-400
variable, I-507

voltage regulator, programmable,
IV-470
zero crossing detector, I-732, I-733,
II-173
zero meter, suppressed, I-716
zero-point switches
temperature control, III-624
triac, II-311
zero-voltage switches
closed contact half-wave, III-412
solid-state, III-410, III-416

COMPLETE YOUR ELECTRONIC CIRCUITS LIBRARY WITH VOLUMES 1 THROUGH 4



SAVE 40% WHEN YOU ORDER ALL 4 BOOKS!

"Outstanding . . . All of the circuits use the latest in state-of-the-art technology and may be used in the home or industry."
—Electron

"A virtual treasure-house of circuits . . . an invaluable reference tool for every hobbyist, technician, student, and design professional."
—Electronics for You

SAVE 40%—Get thousands of circuits and project ideas in the 4-volume set for only \$149.95 (regularly \$240.00)

3 Easy Ways to Order

1. CALL 1-800-822-8158

2. FAX 1-717-794-5291

3. Mail This Order Form to:

McGraw-Hill, Inc.
Blue Ridge Summit, Pa. 17294



If you can imagine it, it's in here. The more than 4,000 circuit schematics found in volumes 1 through 4 of the *Encyclopedias of Electronic Circuits* will complete your Electronic Circuits library, providing all you need on any circuit imaginable. You'll get clear, concise data on each circuit's configuration and function for your projects, designs or applications. Each guide is meticulously indexed and cross-referenced for easy application.

YOU GET:

Volume 1:

Featuring circuits from alarms to zero cross detection.
768 pp., 1,762 illus #157332-4 \$60.00 \$39.95

Volume 2:

Circuits covered range from fiber optics to thermal reactors.
732 pp., 1,100 illus #155949-3 \$60.00 \$39.95

Volume 3:

Covers everything from antenna to voltage circuits.
840 pp., 1,300 illus #155814-4 \$60.00 \$39.95

Volume 4:

Volume 4 How-tos on using: automotive, security, computer-related, audio, ultrasonic, and video circuits. Also included is an index to find the circuits you need in any of the four volumes.
768 pp., 1,000 illus #011042-5 \$60.00 \$39.95

Book #	Qty	Title	Price
#586148-8		Encyclopedia of Electronic Circuits, Vol 1-4	
#157332-4		Encyclopedia of Electronic Circuits Vol 1	
#155949-3		Encyclopedia of Electronic Circuits Vol 2	
#155814-4		Encyclopedia of Electronic Circuits Vol 3	
#011042-5		Encyclopedia of Electronic Circuits Vol 4	

Subtotal	
State & Local Sales Tax	
*Shipping & Handling	\$5.75
Total	

Charge my MasterCard VISA Discover American Express

Acct. # _____ Exp _____

Signature _____

Check or money order enclosed made payable to McGraw-Hill

Name _____

Address _____

City _____

State _____ Zip _____

Signature _____
(offer invalid without signature) Code = SP94ZZA

*Orders outside the U.S. and Canada must be prepaid in U.S. dollars drawn on U.S. banks and include an additional \$5.00 for postage and handling.