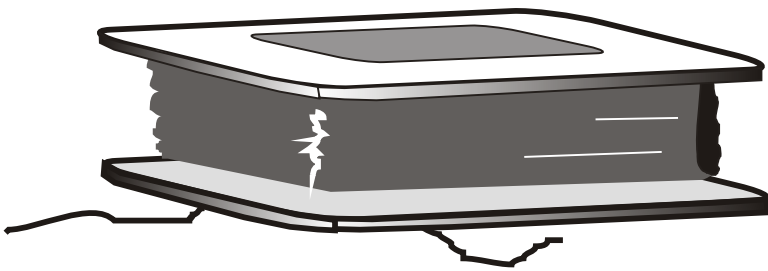


Make Your Own HIGH VOLTAGE ELECTROMAGNETS

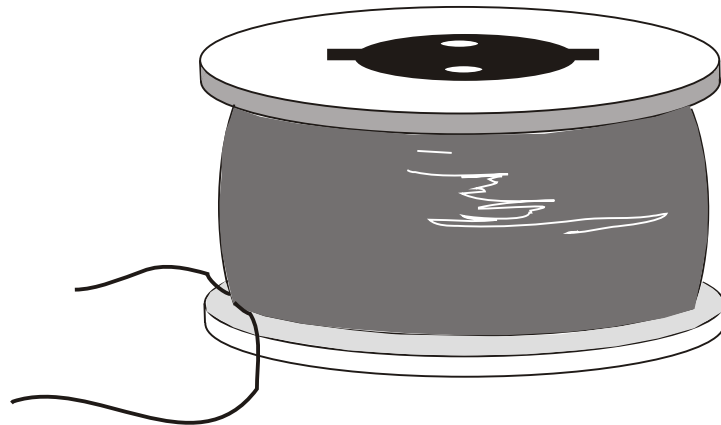
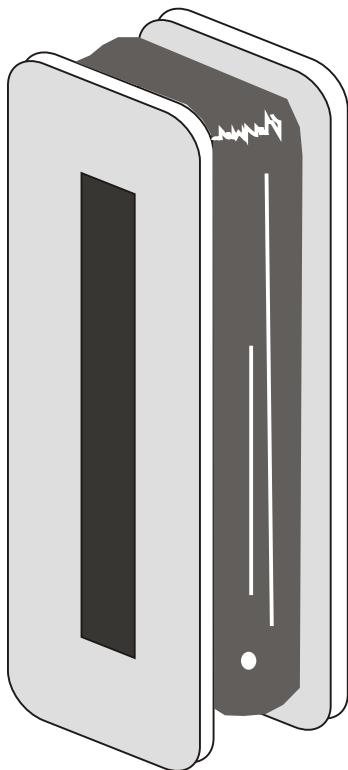
COPY WRITE



NOTE: These plans were made for those who do not know how to build an ELECTRO MAGNET.

Please Note: We sell hard to get information much of which is confidential and suppressed information. We sell information not paper.

We are trying make as many friends as we can in the Free Energy Race which is about to break through soon to the open market. there are many Free Energy devices out there.

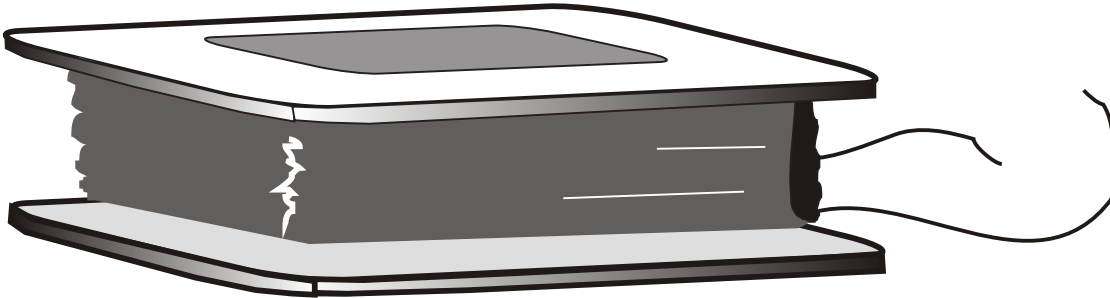


CAUTION:

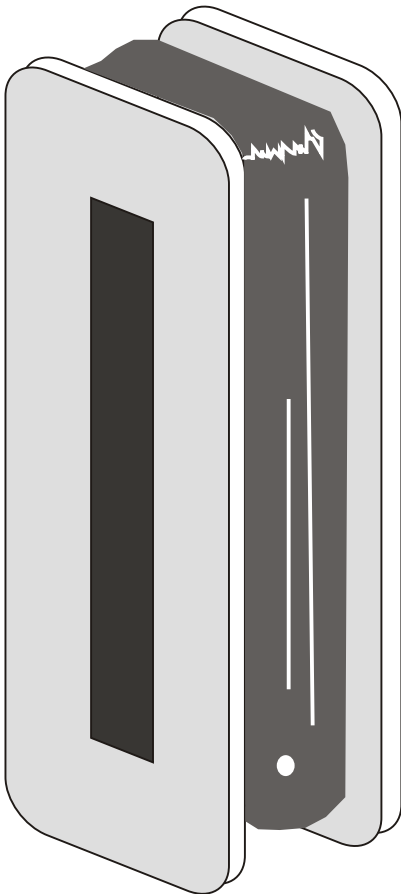
Please be careful when experimenting with high voltage and high voltage electromagnets, when these magnets are hooked up to a high voltage capacitor bank and capacitor bank hooked up to 2 electromagnets on top of each other the top one will fly off with extreme force it can hurt you or cause serious injury. If you are not trained in using high voltage please get someone who is to help you.

HIGH VOLTAGE ELECTROMAGNETS

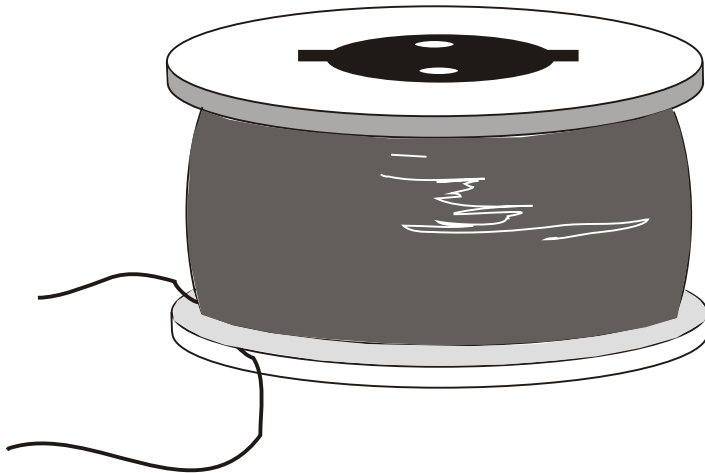
A



B

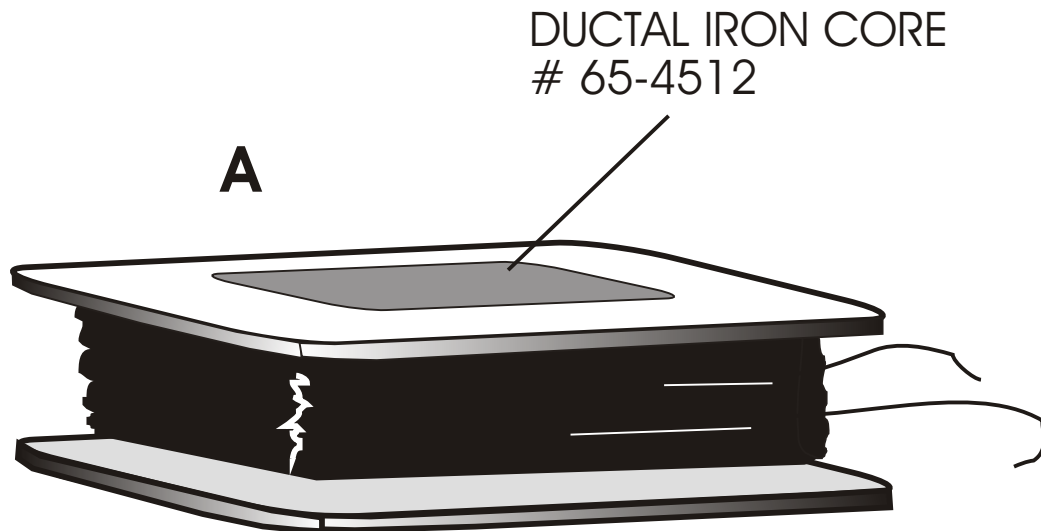


C



Type **A & B** magnets are used for low power and high power (Horse power) Fuel-less electric Engines..... When used with a special capacitor bank they produce enormous power thru the coils producing a super high magnetic field powerful enough to run a car or home generator system. The capacitors produce free amperage from a low Milliamp high voltage source. On many of our coils we used # 30 copper coated wire. You will need to do some experimenting on your own to find which gauge wire works best for your needs. such as how much HP do you want? type **C** electromagnet is used in converting an automobile engine to a Fuel-less Engine, The more turns of wire you put on the top magnets the more power and free energy you will get. It is also noted that the more turns of wire the less amperage will be consumed from the battery. our average turns was 1,200. per coil. Please experiment yourself.

HIGH VOLTAGE ELECTROMAGNETS



When winding your magnets make sure you do not crimp the wire or pull to hard on the wire, if your using a automatic wire wrapper make sure there is little resistance in the wire while wrapping so as not to stretch the wire and crack the outer lacqour coated surface if any of these things happen you will have a high voltage burn out, it will short out your wire! and not in just one place but in a dozen places, Remember high voltage can travel in the strangest places.

Warning we are not responsible for anything in these plans you build at your own risk. remember be careful high voltage can kill you even more after it has gone into a capacitor.

The Iron core is a special iron core type that we use, others may work but we found this to be the best, It's more expensive but worth it it's called: **DUCTAL 65-4512 YOU CAN BUY IT AT: INDUSTRIAL TUBE & STEEL CINCINATI OHIO. 1-800-332-9567** ELECTROMAGNET TYPE A AND B COME IN BARS, AND TYPE C WE USE ROUND ROD. IT IS CHEAPER IF YOU CAN BUY A 6' PIECE FOR ABOUT \$54 IF YOU BUY JUST A SMALL PIECE IT WILL COST YOU THE SAME FOR THEM TO CUT UP AND SHIP TO YOU. IT IS MADE UP OF: 3.6 TO 3.9 carbon, 2.3 to 2.8 silicon, .01 to .04 magnese.

HIGH VOLTAGE ELECTROMAGNETS

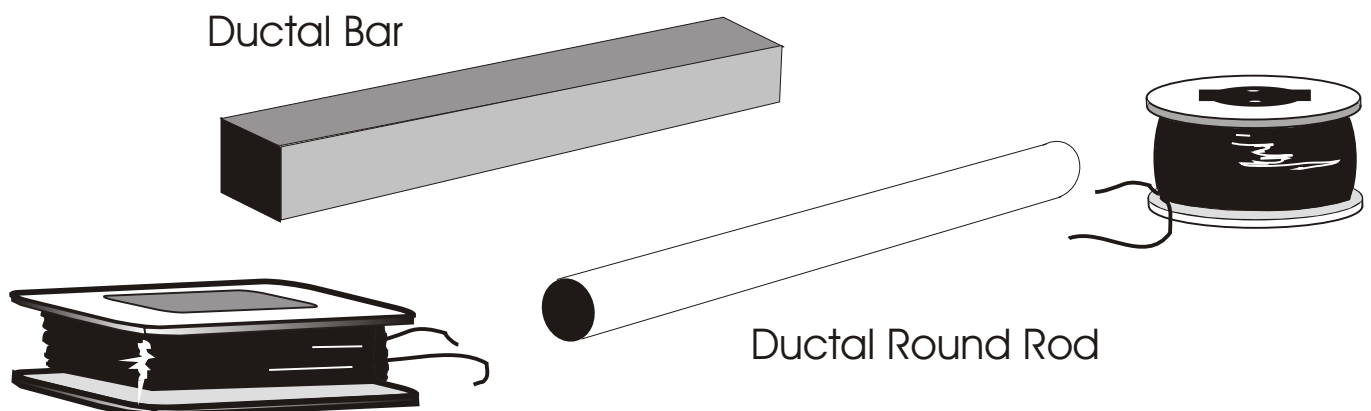
The Iron Core Housing can also be made of thick card board some of our first prototype were made from card board and black tape. The whole idea is to make the coil of wire insulated from the iron core if it is not well insulated from the iron core again a high voltage arc will occur and burn a hole through the paint coating on the iron core and travel around a 1/2" to 1" area on the coil and burn up the wire, which you will have to rewind with new wire.

It's best to heat treat the iron core or steel so it will retain less magnetism when no power is applied. Please note the iron core will always retain some magnetism it should never be enough to cause any problems. The use of laminated iron sheets is not necessary in this case, You get more power from a solid bar.

If you can not find an electrical coated wire supplier in your area then please call this company ESI = Electrical Insulation & Supplies, They sell to electric motor and transformer manufactures as well as inventors, you can buy any gauge wire you want in small or large spools allot cheaper than you can any where else. Call 502-636-0384 Louisville, KY

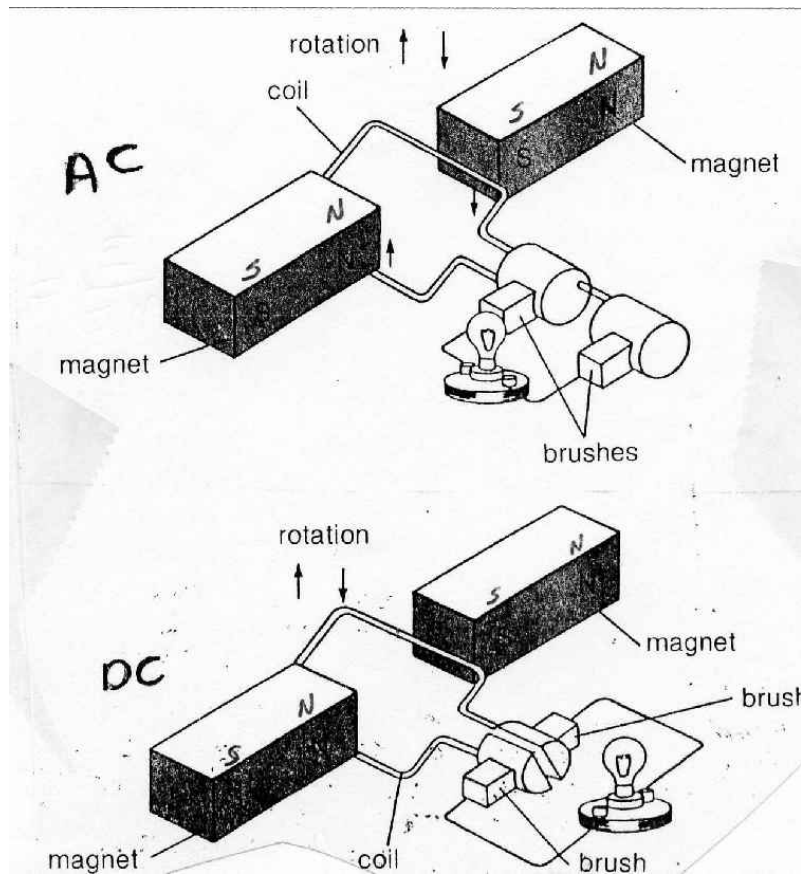
Again for Ductal 65-4512 bars or round rod call; 1-800-332-9567 do not tell them Creative Science & research sent you because they do not know us by that name, For security reasons we use a different name.

There address is; INDUSTRIAL TUBE & STEEL 1303 Home Ave.
Akron, Ohio 44310
(216) 633-8125

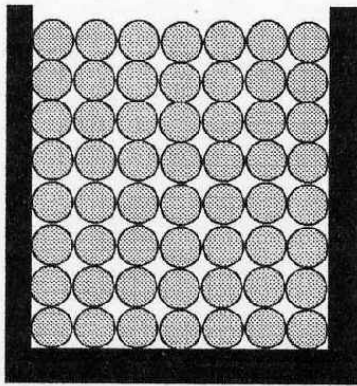


But with this generator contact with the brushes and the ring pieces is broken just before the current can change direction. New contacts are made and again broken just before the direction change takes place. This keeps the current flow out of the generator traveling in one direction only.

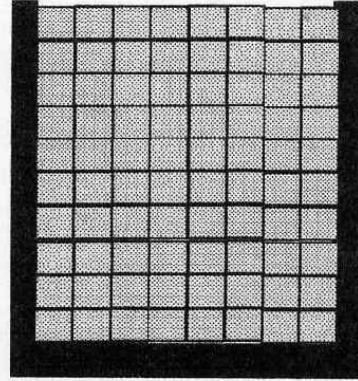
Generators used by electric power companies are usually of the alternating current type. Let it also be noted that when a magnet is propelled at a high rate of speed and stopped right over a coil it produces a strong current (as it was entering toward the coil) and when it is stop there is no current, then when it is taken away it reverses the current, also when a electrical current passes thru a coil of wire (Which makes a electromagnet) it creates a magnetic field, which can be much stronger than a permanent magnet, if you take a 12 volt car battery and attach the negative to one side of the copper coated wire coil and then touch the positive to the other side and keeping it there you get a burst of a strong magnetic field and when the positive side of the battery is taken away you get a strong back EMF current which is produced by the collapsing magnetic field in the coil. (We call this Back EMF Free Energy)



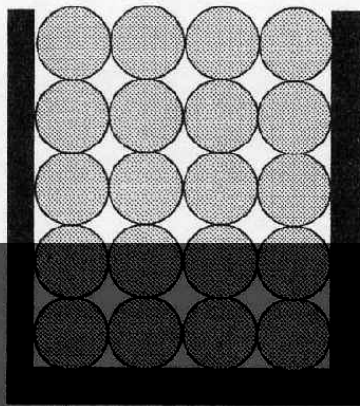
Coil Windings



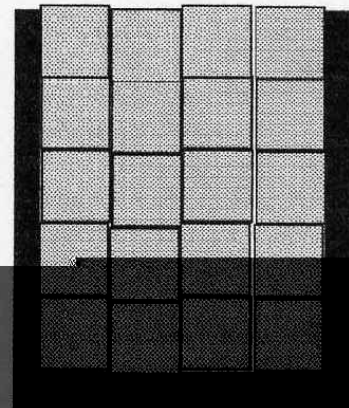
Round Copper Wire is a space wast. more turns = more voltage less AMPERAGE



SQUARE WIRE = NO SPACE WASTE, HIGHER EFFICIENCY MORE POWER LESS WORK More winds more voltage, less amperage.



Round Copper Wire is a space wast. LESS TURNS = LESS VOLTAGE MORE AMPERAGE.....



SQUARE WIRE = NO SPACE WASTE, HIGHER EFFICIENCY MORE POWER LESS WORK Less winds less voltage, more amperage.

Windings

PRACTICAL METHOD OF CALCULATING AMPER-TURNS;

The following method is convenient for calculating ampere-turns. In this method, use is made of the factor M, which is really the average diameter of a circular winding. In any form of winding, however, In the American wire gauge the cross-sectional area of the wires varies nearly in the ratio of 10 for every ten sizes, the real ratio being 10.164:1. On this bases fig 188 has been plotted, the values for wires from no. 20 to no. 30 being correct; but for wires from no. 10 to no. 20 and between no. 30 and no. 40 the values are correct within 1.64 per cent, which is near enough in practice, owing to the gaps between consecutive sizes of wires.

The ampere-turns may be quickly found by this method in the following manner; first find the ratio Kf by dividing the voltage across the winding by M. or

then by comparing the value of

$$K = \frac{E}{FM}$$

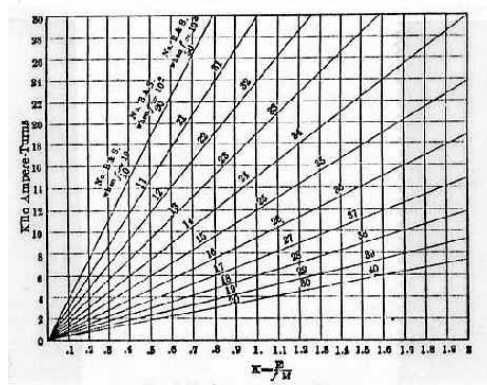


FIG. 188. — Ampere-turn Chart.

with the desired ampere-turns, the proper size of wire will be found under the value of F, which value will be either 10, 10 . or 10 for the sizes indicated in fig 188.

RESISTANCE CALCULATED FROM THE LENGTH OF WIRE; As the resistance of an electrical conductor cross-section varies directly with it's length, it is evident that the resistance of any wire which may be contained in a bobbin or winding volume may be readily calculated by multiplying the length of the wire by the resistance per unit length, thus,

RESISTANCE CALCULATED FROM TURNS; When the number of turns, size of wire, and average perimeter are known.

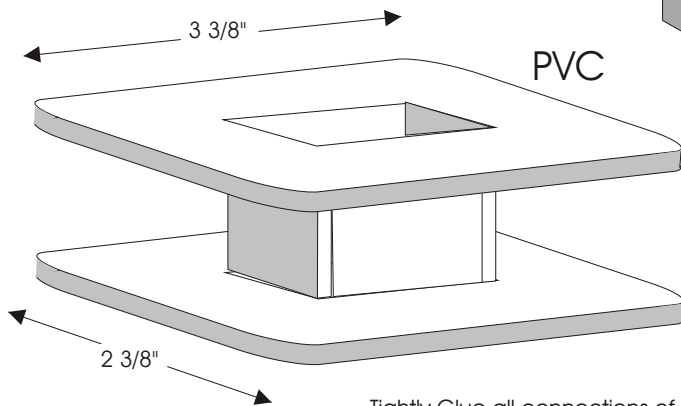
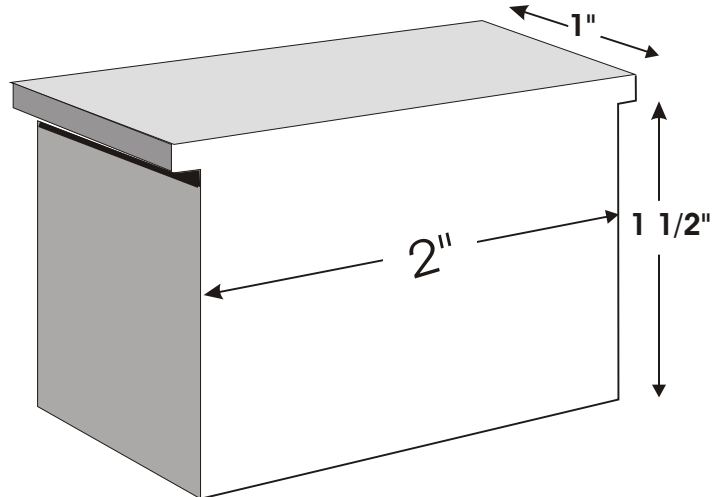
The size of insulated wire and the resistance may be determined when the dimensions of the winding space and of turns are known by first finding the value

HIGH VOLTAGE ELECTROMAGNETS

type A

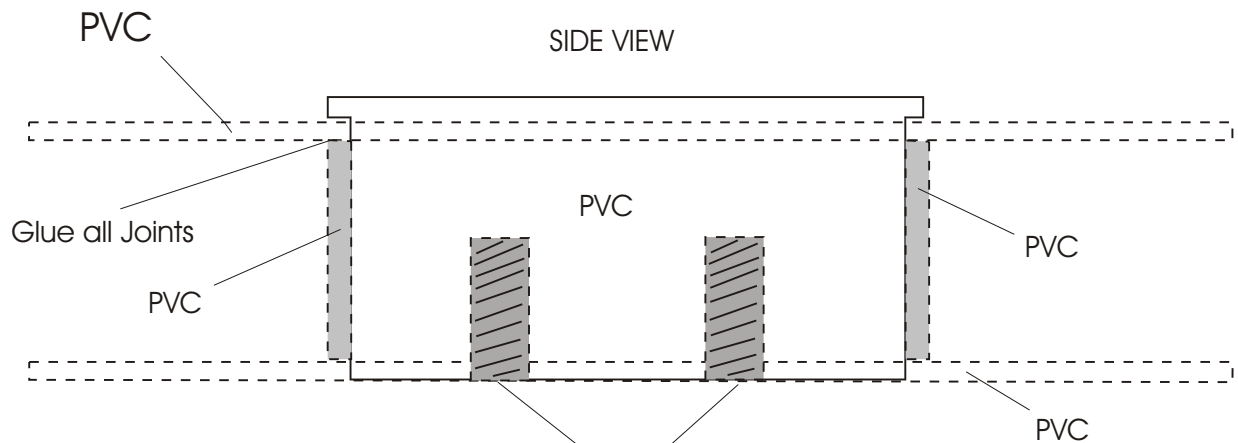


Ductal Iron Core



Tightly Glue all connections of the pvc or any other plastic or wood product.

We suggest you make 2 of these magnets first & experiment with them, then make other size magnets with different gauge wire. You will be amazed at what you will find. Don't be discouraged these magnets are easier to make than what it looks like. after you make your first 2 you will be a pro.

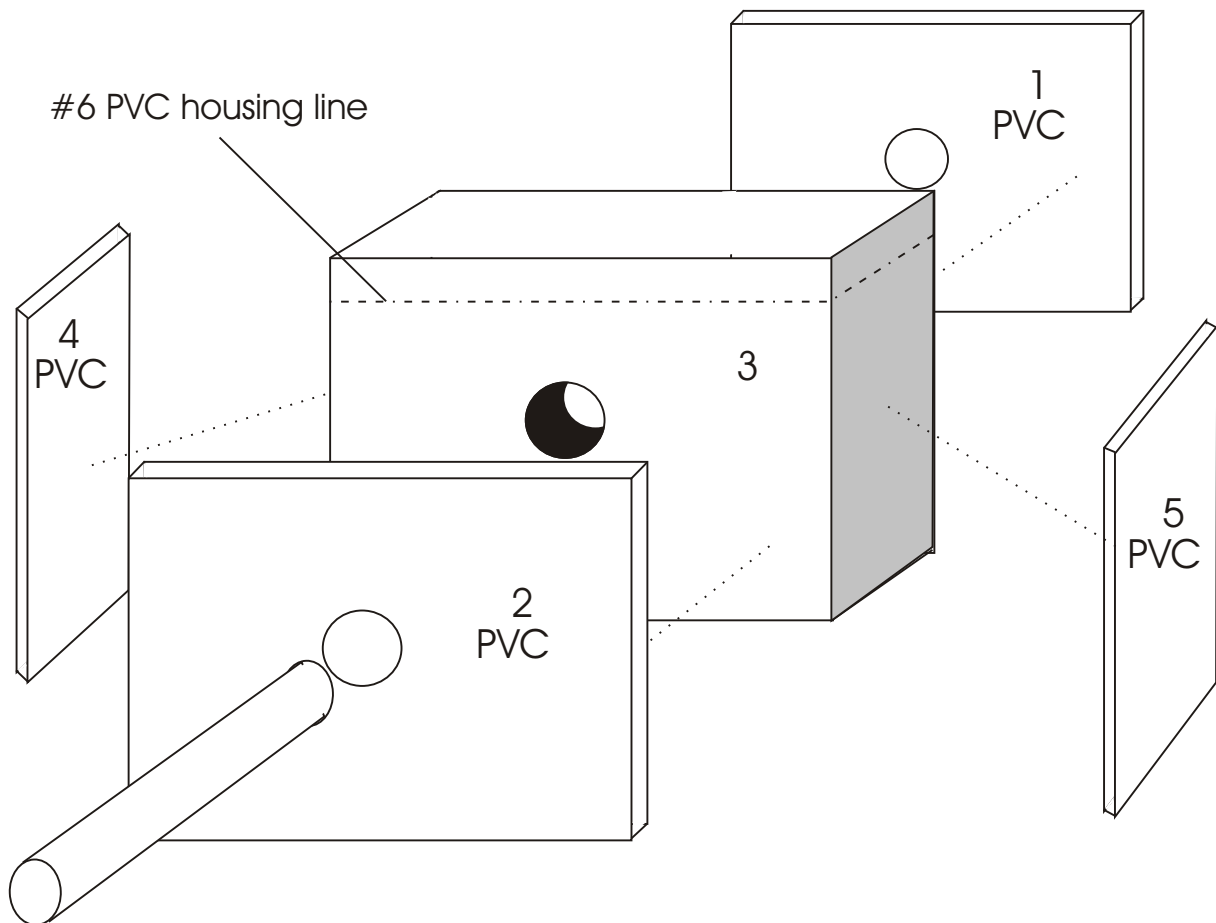


Bolt holes tapped out any size. into the Iron core not the PVC plastic.....

Another way to make your electromagnets is this way. Use a 1/2" or a 1/4" wood or plastic Dowel inserted through the 2 pvc housing plates and the soft iron core. This will keep the coil or the iron in place when voltage is applied. Warning DO NOT USE A METAL ROD.

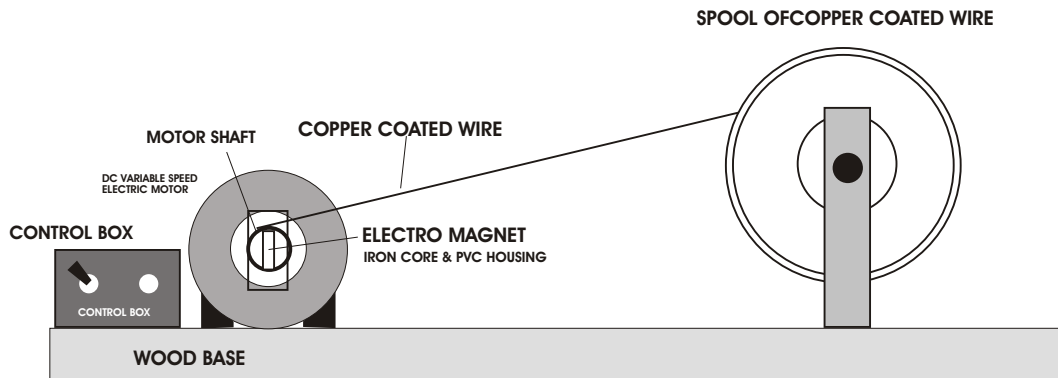
To assemble: Drill your holes in #2,3 and #1 make sure they all line up right, also they must line up with number 4 & 5 plates. now put rod thru the pvc plates and iron core, Do not glue until you assemble all 4 sides. Do not let rod stick out to far from pvc it will take up coil space.

Note: #6 line on iron core is how far the iron core should be sticking up out of the pvc housing after total assembly, this is all going to take some planning and good measurements so take your time on your 1st one and the rest will be a snap. note: iron core can be sticking out no less than 1/4" and no more than 3/4".



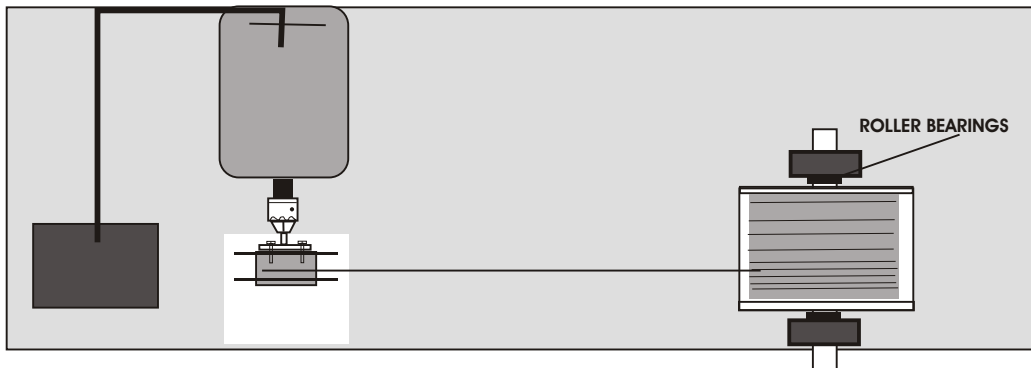
Thank You for your support; Creative Science & research Laboratory is dedicated to helping the poor, to provide free energy at a low cost. for a \$25 or + contrubution we will keep you updated on any new developments for one year.

High Speed Wire Wrapper



CONTROL BOX CONSIST OF A ON OFF SWITCH AND A VARIABLE CONTROL SPEED SWITCH, IT CONTROLS THE SPEED OF THE MOTOR, THIS IS VERY IMPORTANT AND MUST BE DONE RIGHT. ADJUST CONTROLLER SO IT CAN NOT EVER GO OVER 300 RPM.

SIDE VIEW



TOP VIEW

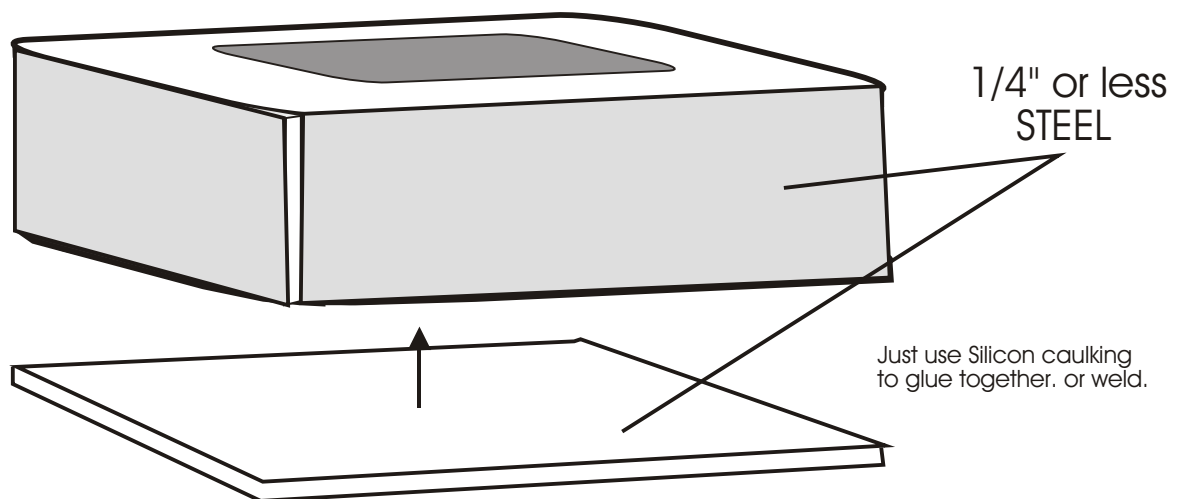
Drill bit attachment housing can be purchased separately at any hardware store or you can use an 115vac electric hand drill. for this type of set up you want to turn at about 100 to 300 rpm's.... as you are turning your magnet use your fingers to guide copper wire onto magnet lay the wire in a uniform manner , get each turn as close to the 2nd turn as you can, try not to criss cross alot, you will have a more powerful magnet if you don't criss cross alt. this will require some skill and practice. the better you lay the wire the better the magnet will be. NOTE: The spool shaft must move very freely. the use of roller bearings is suggested but not critical.

HIGH VOLTAGE ELECTROMAGNETS

Use steel housing around magnet to direct more magnetic flux toward front of electromagnet to be used, (do not cover front to be used with steel keep it open faced.) The results will be a more powerful electromagnet. There is no need to use laminated soft iron but if you want you can it may be easier for you to cut, (We have never tried using laminated iron but we feel there is no use for it because you really don't have to worry about Eddy currents with this engine.....)

Also use SQUARE COPPER COATED WIRE, You will get a much more powerful magnet.... Also NOTE: when winding your magnets it's best to have a automatic winder because they can wind it more close together and more accurate than doing it by hand.... try calling a electric motor repair shop i'm sure they will do it for you at a low cost, if you are providing the wire etc...

If you are going to do it by hand then try and work it as so; Left to right, then right to left, and wind each turn right next to the last turn, (side by side.) and also wind as tight as you can with out damaging the



This will increase the power of your electromagnets but the stator housing for motor must be none conducting.

HIGH VOLTAGE ELECTROMAGNETS

More suppliers

Jasper Electric
Points Five
Jasper, Alabama, 35502

1-800-382-5643 or 205-384-6071

They use laminated Soft Iron Sheets, for there self, they manufacture transformers etc... they may sell you some scrap.

New England Wire Corp.
385 main street
elisbon, NH 03585

603-838-6624

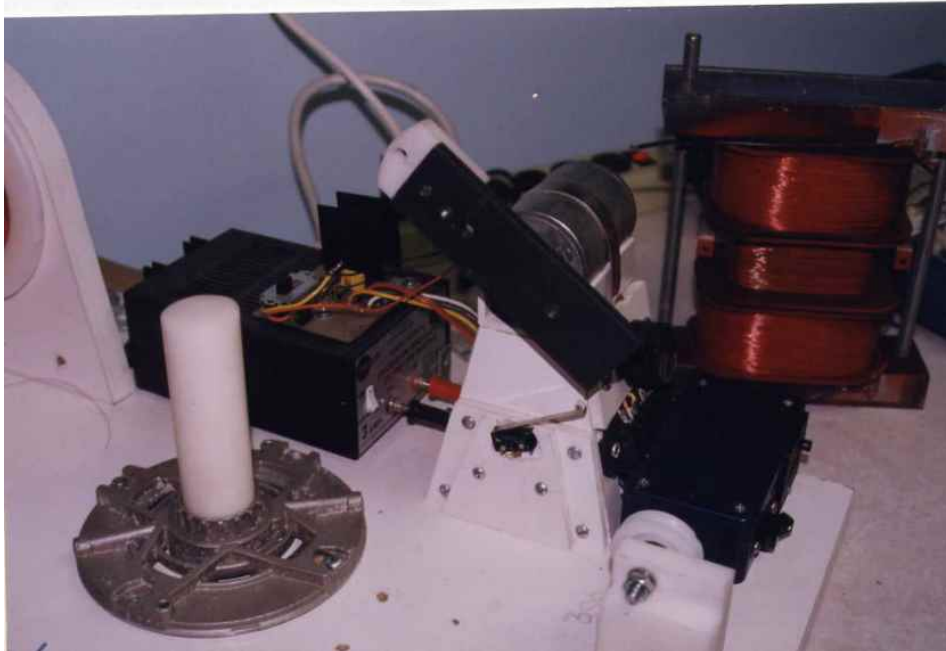
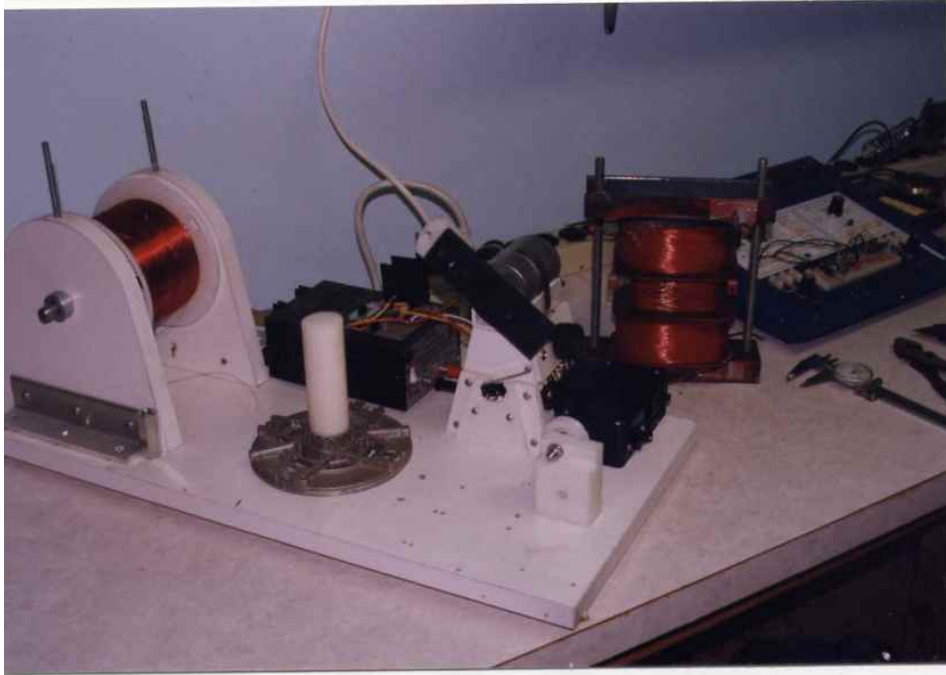
They sell all types of copper coated wire, round and square and with differant coating thickness's.....

M.W.S. Wire Industries
31200 cedar valley drive
west lake, CA 91362

1-800-423-5097

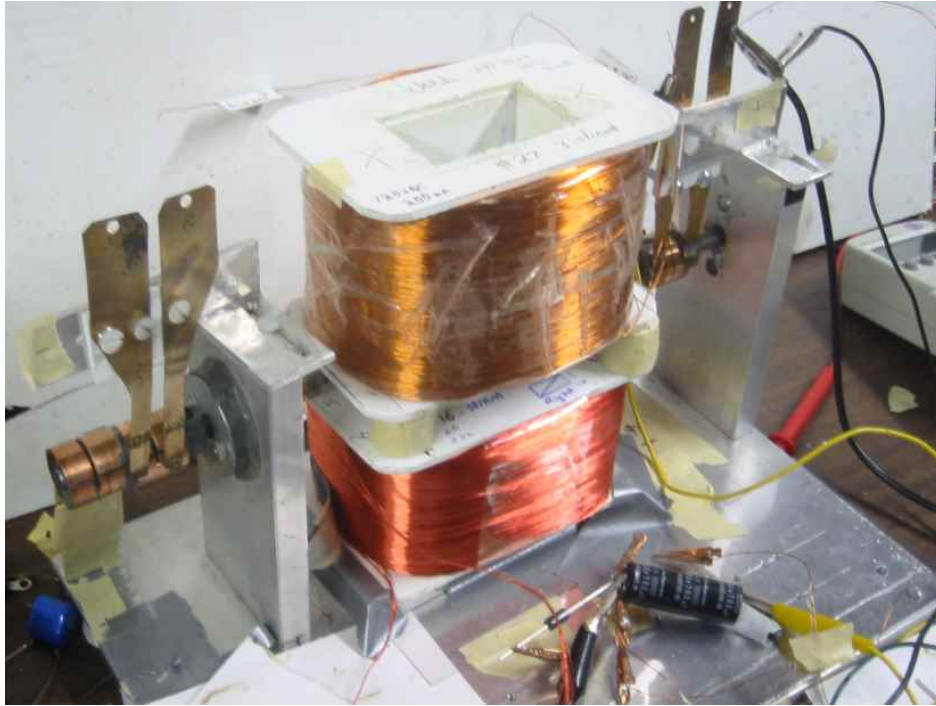
They also sell all types of copper coated wire....

Build your own Coil Winder



Or wind Iron core or air core Bobbins on Drill press on low rpm.

Air core design seems to work best!



We used PVC and PVBC glue to make bobbins.
And a powerful permanent magnet for the center shaft.

